






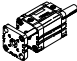

Compact cylinders ADVU/AEVU



Compact cylinders ADVU

Product range overview

FESTO

| Function | Version | Type | Piston Ø | Stroke | Position sensing | |
|---|---|-------------------------------------|----------------|---------------------------------------|------------------|---|
| | | | [mm] | [mm] | | |
| Double-acting | Basic version | | | | | |
| |  | ADVU Piston rod at one end | 12, 16 | 5, 10, 15, 20, 25, 30, 40 | 1 ... 200 | ■ |
| | | | 20, 25 | 5, 10, 15, 20, 25, 30, 40, 50 | 1 ... 200 | |
| | | | 32, 40 | 5, 10, 15, 20, 25, 30, 40, 50, 60, 80 | 1 ... 300 | |
| | | | 50, 63 | 10, 15, 20, 25, 30, 40, 50, 60, 80 | 1 ... 300 | |
| | | | 80, 100, 125 | 10, 15, 20, 25, 30, 40, 50, 60, 80 | 1 ... 400 | |
| |  | ADVU-...-S2 Through piston rod | 12, 16, 20, 25 | – | 1 ... 200 | ■ |
| | | | 32, 40, 50, 63 | – | 1 ... 300 | |
| | | | 80, 100, 125 | – | 1 ... 400 | |
| | Non-rotating with square piston rod | | | | | |
| |  | ADVULQ Piston rod at one end | 12, 16 | 5, 10, 15, 20, 25, 30, 40 | 1 ... 200 | ■ |
| | | | 20, 25 | 5, 10, 15, 20, 25, 30, 40, 50 | 1 ... 200 | |
| | | | 32, 40 | 5, 10, 15, 20, 25, 30, 40, 50, 60, 80 | 1 ... 300 | |
| | | | 50, 63 | 10, 15, 20, 25, 30, 40, 50, 60, 80 | 1 ... 300 | |
| | | | 80, 100 | 10, 15, 20, 25, 30, 40, 50, 60, 80 | 1 ... 400 | |
| |  | ADVULQ-...-S2 Through piston rod | 12, 16, 20, 25 | – | 1 ... 200 | ■ |
| | | | 32, 40, 50, 63 | – | 1 ... 300 | |
| | | | 80, 100 | – | 1 ... 400 | |
| | Non-rotating with yoke | | | | | |
| |  | ADVUL Piston rod at one end | 12, 16 | 5, 10, 15, 20, 25, 30, 40 | 1 ... 200 | ■ |
| | | | 20, 25 | 5, 10, 15, 20, 25, 30, 40, 50 | 1 ... 200 | |
| | | | 32, 40 | 5, 10, 15, 20, 25, 30, 40, 50, 60, 80 | 1 ... 300 | |
| | | | 50, 63 | 10, 15, 20, 25, 30, 40, 50, 60, 80 | 1 ... 300 | |
| | | | 80, 100 | 10, 15, 20, 25, 30, 40, 50, 60, 80 | 1 ... 400 | |
| |  | ADVUL-...-S2 Through piston rod | 12, 16, 20, 25 | – | 1 ... 200 | ■ |
| | | | 32, 40, 50, 63 | – | 1 ... 300 | |
| | | | 80, 100 | – | 1 ... 400 | |
| | Reinforced piston rod | | | | | |
|  | ADVU-...-S1 Piston rod at one end | 25 | – | 1 ... 500 | ■ | |
| | | 40, 63 | – | 1 ... 2000 | | |
| | | 100 | – | 1 ... 2000 | | |

Compact cylinders ADVU

Product range overview



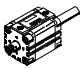

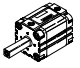
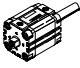
FESTO

| Type | Piston rod | | S20 Hollow piston rod | S6 Heat resistant up to 120 °C | R3 Increased corrosion protection | → Page/Internet |
|--|-----------------------|------------------|--------------------------|--------------------------------------|---|-----------------|
| | with female thread | with male thread | | | | |
| Basic version | | | | | | |
| ADVU Piston rod at one end | ■ | ■ | - | ■ | ■ | 11 |
| ADVU-...-S2 Through piston rod | ■ | ■ | ■ ∅ 12 ... 100 | ■ ∅ 12 ... 100 | - | 11 |
| Non-rotating with square piston rod | | | | | | |
| ADVULQ Piston rod at one end | ■ | ■ | - | ■ | - | 22 |
| ADVULQ-...-S2 Through piston rod | ■ | ■ | ■ ∅ 16 ... 100 | ■ | - | 22 |
| Non-rotating with yoke | | | | | | |
| ADVUL Piston rod at one end | ■ | - | - | ■ | - | 2 |
| ADVUL-...-S2 Through piston rod | ■ | - | - | - | - | 2 |
| Reinforced piston rod | | | | | | |
| ADVU-...-S1 Piston rod at one end | ■ | - | - | - | - | 33 |

Compact cylinders AEVU

Product range overview



| Function | Version | Type | Piston Ø | Stroke | Position sensing | |
|---|---|--|-------------------------------------|-------------------|------------------|---|
| | | | [mm] | [mm] | | |
| Single-acting | Basic version | | | | | |
| |  | AEVU Piston rod at one end, pushing | 12 | 5, 10 | 1 ... 10 | ■ |
| | | | 16, 20, 25, 32, 40 | 5, 10, 15, 20, 25 | 1 ... 25 | |
| | | | 50, 63, 80, 100 | 10, 15, 20, 25 | 1 ... 25 | |
| |  | AEVUZ Piston rod at one end, pulling | 12 | 5, 10 | 1 ... 10 | ■ |
| | | | 16, 20, 25, 32, 40 | 5, 10, 15, 20, 25 | 1 ... 25 | |
| | | | 50, 63, 80, 100 | 10, 15, 20, 25 | 1 ... 25 | |
| |  | AEVU-...-S2 Through piston rod, pushing | 12 | – | 1 ... 10 | ■ |
| | | | 16, 20, 25, 32, 40, 50, 63, 80, 100 | – | 1 ... 25 | |
| | Non-rotating with square piston rod | | | | | |
| |  | AEVULQ Piston rod at one end, pushing | 16, 20, 25, 32, 40 | 5, 10, 15, 20, 25 | 1 ... 25 | ■ |
| | | | 50, 63, 80, 100 | 10, 15, 20, 25 | 1 ... 25 | |
|  | AEVULQZ Piston rod at one end, pulling | 16, 20, 25, 32, 40 | 5, 10, 15, 20, 25 | 1 ... 25 | ■ | |
| | | 50, 63, 80, 100 | 10, 15, 20, 25 | 1 ... 25 | | |
|  | AEVULQ-...-S2 Through piston rod, pushing | 16, 20, 25, 32, 40, 50, 63, 80, 100 | – | 1 ... 25 | ■ | |
| | | | | | | |

Compact cylinders AEVU

Product range overview

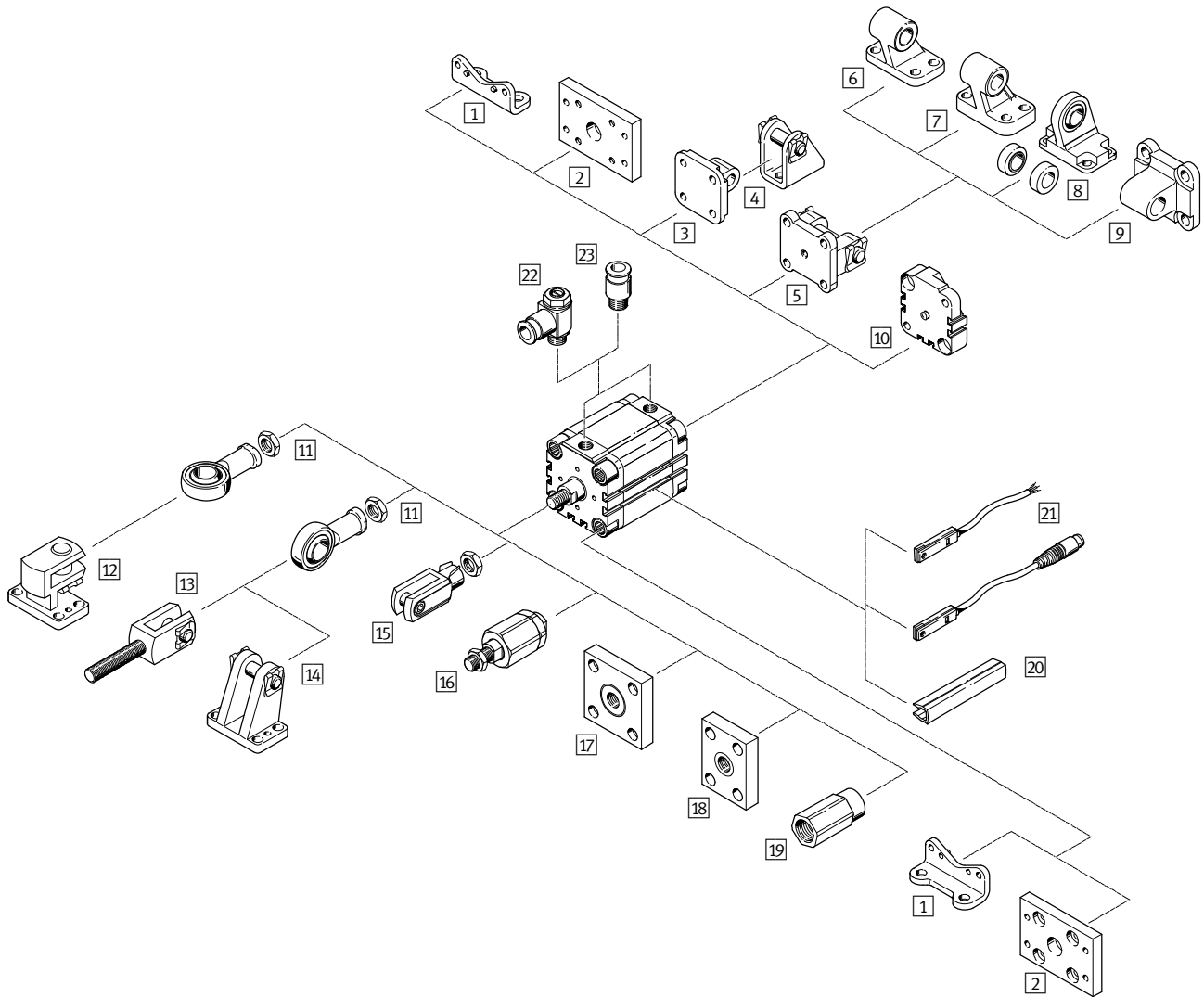
| Type | Piston rod | | S20 Hollow piston rod | S6 Heat resistant up to 120 °C | R3 Increased corrosion protection | → Page/Internet |
|---|-----------------------|------------------|--------------------------|--------------------------------------|---|-----------------|
| | with female thread | with male thread | | | | |
| Basic version | | | | | | |
| AEVU Piston rod at one end, pushing | ■ | ■ | - | ■ | - | 36 |
| AEVUZ Piston rod at one end, pulling | ■ | ■ | - | ■ | - | 36 |
| AEVU-...-S2 Through piston rod, pushing | ■ | ■ | ■ | ■ | - | 36 |
| Non-rotating with square piston rod | | | | | | |
| AEVULQ Piston rod at one end, pushing | ■ | ■ | - | ■ | - | 46 |
| AEVULQZ Piston rod at one end, pulling | ■ | ■ | - | ■ | - | 46 |
| AEVULQ-...-S2 Through piston rod, pushing | ■ | ■ | ■ | ■ | - | 46 |

Compact cylinders ADVU/AEVU

Peripherals overview



Piston \varnothing 12 ... 100 mm



Variants

ADVU
AEVU(Z)

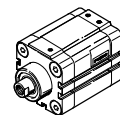
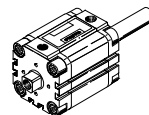
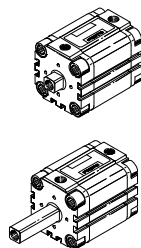
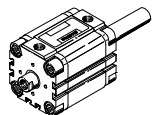
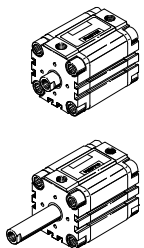
S2/S20

ADVULQ
AEVULQ(Z)

S2/S20

ADVU

S1



Compact cylinders ADVU/AEVU

Peripherals overview

FESTO

| Mounting attachments and accessories | | | | | | | | |
|--------------------------------------|---|---|--------|---------------------|--------|----------|-----------------|------------|
| | Brief description | ADVU AEVU(Z) | | ADVULQ AEVULQ(Z) | | ADVU | → Page/Internet | |
| | | | S2/S20 | | S2/S20 | S1 | | |
| 1 | Foot mounting HUA | For bearing and end cap | ■ | ■ | ■ | ■ | ■ | 55 |
| 2 | Flange mounting FUA | For bearing or end cap | ■ | ■ | ■ | ■ | ■ ¹⁾ | 56 |
| 3 | Swivel flange SUA for Ø 12 ... 25 | For end cap | ■ | - | ■ | - | ■ | 57 |
| 4 | Clevis foot LBN/CRLBN | - | ■ | - | ■ | - | ■ | 62 |
| 5 | Swivel flange SUA for Ø 32 ... 100 | For end cap | ■ | - | ■ | - | ■ | 57 |
| 6 | Clevis foot LN | - | ■ | - | ■ | - | ■ | 62 |
| 7 | Clevis foot LNG/CRLNG | - | ■ | - | ■ | - | ■ | 62 |
| 8 | Clevis foot LSN | With spherical bearing | ■ | - | ■ | - | ■ | 62 |
| 9 | Swivel flange SNCL | - | ■ | - | ■ | - | ■ | 62 |
| 10 | Adapter kit DPVU | For connecting two cylinders with identical piston Ø to form a multi-position cylinder | ■ | - | ■ | - | ■ | 61 |
| 11 | Rod eye SGS/CRSGS | With spherical bearing | ■ | ■ | - | - | ■ | 63 |
| 12 | Clevis foot, lateral LQG | - | ■ | ■ | - | - | ■ | 63 |
| 13 | Rod clevis SGA | With male thread | ■ | ■ | - | - | ■ | 63 |
| 14 | Clevis foot LBG | - | ■ | ■ | - | - | ■ | 62 |
| 15 | Rod clevis SG/CRSG | Permits a swivelling move- ment of the cylinder in one plane | ■ | ■ | ■ | ■ | ■ | 63 |
| 16 | Self-aligning rod coupler FK/CRFK | For compensating radial and angular deviations | ■ | ■ | - | - | ■ | 63 |
| 17 | Coupling piece KSG | For compensating radial deviations | ■ | ■ | - | - | ■ | 63 |
| 18 | Coupling piece KSZ | For cylinders with non-rotat- ing piston rod for compensat- ing radial deviations | - | - | ■ | ■ | - | 63 |
| 19 | Adapter AD | For vacuum generator | - | ■ S20 | - | ■ S20 | - | 63 |
| 20 | Slot cover ABP-5-S | For protecting the sensor cable and keeping dirt out of the sensor slots | ■ | ■ | ■ | ■ | ■ | 65 |
| 21 | Proximity sensor SME/SMT-8 | Can be integrated in the cylinder profile barrel | ■ | ■ | ■ | ■ | ■ | 65 |
| 22 | One-way flow control valve GRLA/GRLZ | For speed regulation | ■ | ■ | ■ | ■ | ■ | 64 |
| 23 | Push-in fitting QS | For connecting compressed air tubing with standard O.D. | ■ | ■ | ■ | ■ | ■ | quick star |

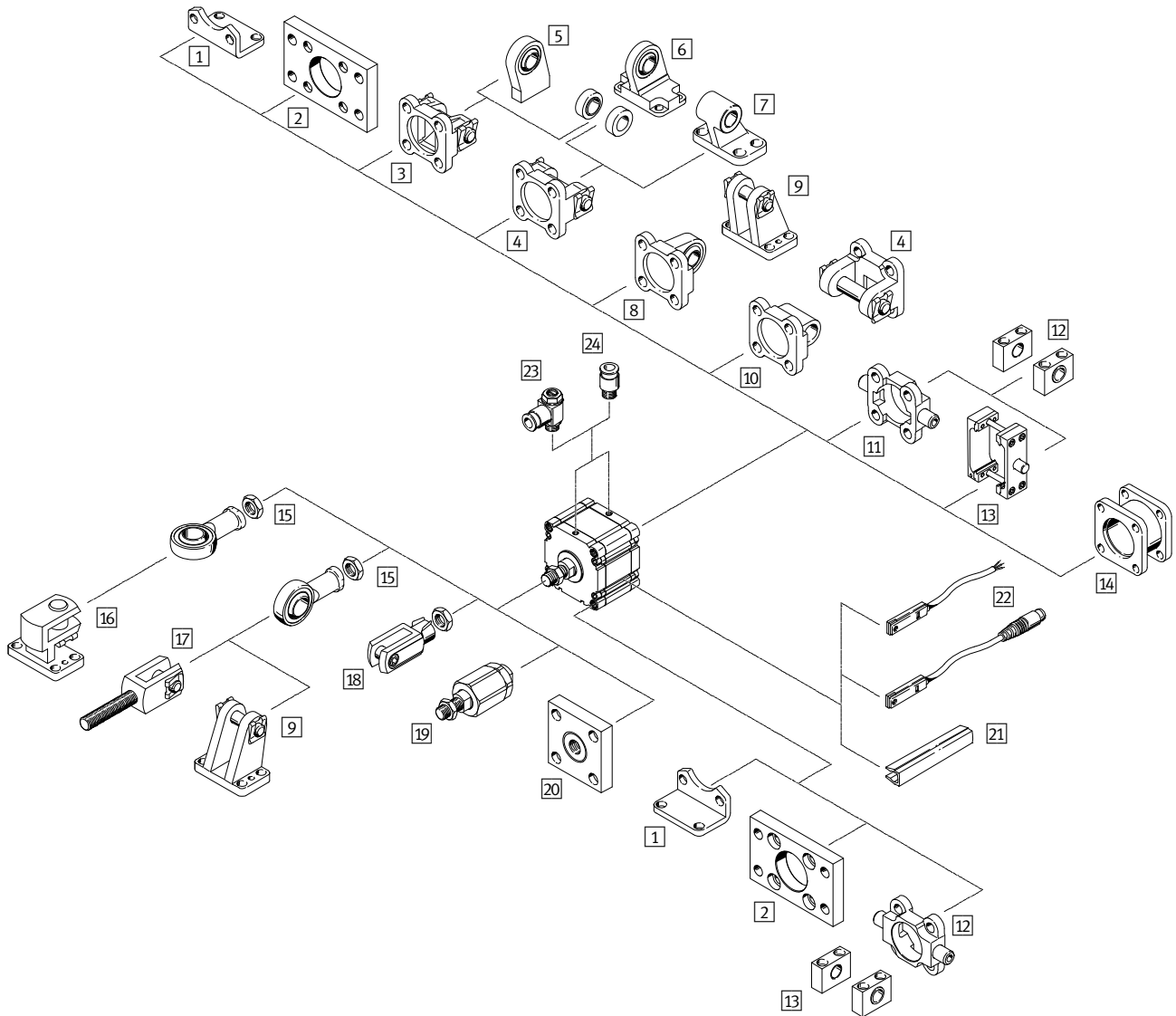
1) Only in combination with end cap

Compact cylinders ADVU/AEVU

Peripherals overview

FESTO

Piston \varnothing 125 mm



Compact cylinders ADVU/AEVU

Peripherals overview

FESTO

| Mounting attachments and accessories | | | | | |
|--------------------------------------|---|--|------|----|-----------------|
| | | Brief description | ADVU | | → Page/Internet |
| | | | | S2 | |
| 1 | Foot mounting HNC | For bearing and end cap | ■ | ■ | 55 |
| 2 | Flange mounting FNC | For bearing or end cap | ■ | ■ | 56 |
| 3 | Swivel flange SNC | For end cap | ■ | - | 58 |
| 4 | Swivel flange SNCB | For end cap | ■ | - | 58 |
| 5 | Clevis foot LSNSG | Weld-on, with spherical bearing | ■ | - | 62 |
| 6 | Clevis foot LSN | With spherical bearing | ■ | - | 62 |
| 7 | Clevis foot LN | - | ■ | - | 62 |
| 8 | Swivel flange SNCS | With spherical bearing for end cap | ■ | - | 59 |
| 9 | Clevis foot LBG | - | ■ | ■ | 62 |
| 10 | Swivel flange SNCL | For end cap | ■ | - | 59 |
| 11 | Trunnion flange ZNCF | For bearing or end cap | ■ | ■ | 60 |
| 12 | Trunnion support LNZG/CRLNZG | - | ■ | ■ | 62 |
| 13 | Trunnion mounting kit DAMT | For mounting anywhere along the cylinder profile barrel | ■ | ■ | 60 |
| 14 | Adapter kit DPNC | For connecting two cylinders with identical piston \varnothing to form a multi-position cylinder | ■ | ■ | 61 |
| 15 | Rod eye SGS/CRSGS | With spherical bearing | ■ | ■ | 63 |
| 16 | Clevis foot, lateral LQG | - | ■ | ■ | 63 |
| 17 | Rod clevis SGA | With male thread | ■ | ■ | 63 |
| 18 | Rod clevis SG/CRSG | Permits a swivelling movement of the cylinder in one plane | ■ | ■ | 63 |
| 19 | Self-aligning rod coupler FK/CRFK | For compensating radial and angular deviations | ■ | ■ | 63 |
| 20 | Coupling piece KSG | For compensating radial deviations | ■ | ■ | 63 |
| 21 | Slot cover ABP-5-S | For protecting the sensor cable and keeping dirt out of the sensor slots | ■ | ■ | 65 |
| 22 | Proximity sensor SME/SMT-8 | Can be integrated in the cylinder profile barrel | ■ | ■ | 65 |
| 23 | One-way flow control valve GRLA/GRLZ | For speed regulation | ■ | ■ | 64 |
| 24 | Push-in fitting QS | For connecting compressed air tubing with standard O.D. | ■ | ■ | quick star |

Compact cylinders ADVU/AEVU

Type code

ADVULQ – 50 – 80 – A – P – A – S6

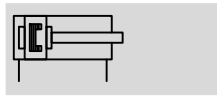
| Type | |
|---------------------------|---|
| Double-acting | |
| ADVU | Basic version |
| ADVULQ | Square piston rod |
| Single-acting | |
| AEVU | Basic version |
| AEVUZ | Basic version, pulling |
| AEVULQ | Square piston rod |
| AEVULQZ | Square piston rod, pulling |
| Piston \varnothing [mm] | |
| Stroke [mm] | |
| Piston rod thread | |
| | Female thread |
| A | Male thread |
| Cushioning | |
| P | Flexible cushioning rings/plates at both ends |
| Position sensing | |
| A | For proximity sensing |
| Variant | |
| S1 | Reinforced piston rod |
| S2 | Through piston rod |
| S6 | Heat resistant up to 120 °C |
| S20 | Through, hollow piston rod |
| S26 | Through piston rod, heat resistant up to 120 °C |
| S206 | Through, hollow piston rod, heat resistant up to 120 °C |
| R3 | Increased corrosion protection |

Compact cylinders ADVU

Technical data – Double-acting, basic version

FESTO

Function



- \varnothing - Diameter
12 ... 125 mm

- l - Stroke length
1 ... 400 mm

-  - www.festo.com

Wearing parts kits
→ 21

Variants



S2



S6



S26



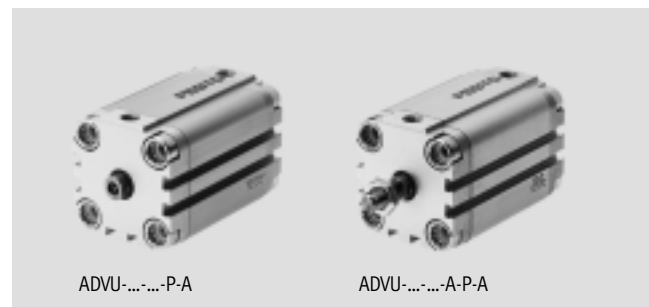
S20



S206

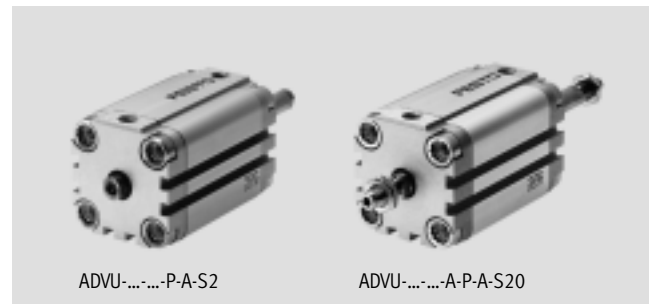


R3



ADVU-...-P-A

ADVU-...-A-P-A



ADVU-...-P-A-S2

ADVU-...-A-P-A-S20

| General technical data | | | | | | | | | | | | |
|--------------------------------|--|----|----|----------|-----------------|-----------------|-----------------|-----------------|-----------------|-----------------|-----------------|-----|
| Piston \varnothing | 12 | 16 | 20 | 25 | 32 | 40 | 50 | 63 | 80 | 100 | 125 | |
| Pneumatic connection | M5 | M5 | M5 | M5 | G $\frac{1}{8}$ | G $\frac{1}{8}$ | G $\frac{1}{8}$ | G $\frac{1}{8}$ | G $\frac{1}{8}$ | G $\frac{1}{4}$ | G $\frac{1}{4}$ | |
| End of piston rod | Female thread | M3 | M4 | M5 | M5 | M6 | M6 | M8 | M8 | M10 | M12 | M16 |
| | Male thread | M6 | M8 | M10x1.25 | | | M12x1.25 | | M16x1.5 | M20x1.5 | M27x2 | |
| Operating medium | Compressed air in accordance with ISO 8573-1:2010 [7:4:4] | | | | | | | | | | | |
| Note on operating/pilot medium | Operation with lubricated medium possible (in which case lubricated operation will always be required) | | | | | | | | | | | |
| Constructional design | Piston | | | | | | | | | | | |
| | Piston rod | | | | | | | | | | | |
| Cushioning | Flexible cushioning rings/plates at both ends | | | | | | | | | | | |
| Position sensing | For proximity sensing | | | | | | | | | | | |
| Type of mounting | Via through-holes | | | | | | | | | | - | |
| | Via female thread | | | | | | | | | | | |
| | Via accessories | | | | | | | | | | | |
| Mounting position | Any | | | | | | | | | | | |

† - Note: This product conforms to ISO 1179-1 and to ISO 228-1

| Operating pressure [bar] | | | | | | | | | | | |
|---------------------------|------------|------------|------------|----|------------|----|----|------------|----|------------|-----|
| Piston \varnothing | 12 | 16 | 20 | 25 | 32 | 40 | 50 | 63 | 80 | 100 | 125 |
| Piston rod at one end | 1.2 ... 10 | | 1.0 ... 10 | | 0.8 ... 10 | | | 0.6 ... 10 | | 0.5 ... 10 | |
| Through piston rod S2/S20 | 1.5 ... 10 | 1.3 ... 10 | 1.2 ... 10 | | 1.0 ... 10 | | | 0.8 ... 10 | | 0.5 ... 10 | |

| Ambient conditions | | | |
|--|---------------|--|------------|
| Compact cylinder | Basic version | | S6 |
| Ambient temperature ¹⁾ [°C] | -20 ... +80 | | 0 ... +120 |
| Corrosion resistance class CRC ²⁾ | 2 | | 3 |

1) Note operating range of proximity sensors

2) Corrosion resistance class 2 according to Festo standard 940 070

Components requiring moderate corrosion resistance. Externally visible parts with primarily decorative surface requirements which are in direct contact with a surrounding industrial atmosphere or media such as cooling or lubricating agents.

Corrosion resistance class 3 according to Festo standard 940 070

Components requiring higher corrosion resistance. External visible parts in direct contact with industrial atmospheres or media such as solvents and cleaning agents, with a predominantly functional requirement for the surface

Compact cylinders ADVU

Technical data – Double-acting, basic version



| Forces [N] and impact energy [J] | | | | | | | | | | | | |
|--|--------|------|------|------|------|------|------|------|------|------|------|------|
| Piston Ø | 12 | 16 | 20 | 25 | 32 | 40 | 50 | 63 | 80 | 100 | 125 | |
| Theoretical force at 6 bar, advancing | | 68 | 121 | 188 | 295 | 483 | 754 | 1178 | 1870 | 3016 | 4712 | 7363 |
| | S2/S20 | 51 | 90 | 141 | 247 | 415 | 686 | 1057 | 1750 | 2827 | 4418 | 6881 |
| Theoretical force at 6 bar, retracting | | 51 | 90 | 141 | 247 | 415 | 686 | 1057 | 1750 | 2827 | 4418 | 6881 |
| | S2/S20 | 51 | 90 | 141 | 247 | 415 | 686 | 1057 | 1750 | 2827 | 4418 | 6881 |
| Max. impact energy at end positions | | 0.09 | 0.10 | 0.14 | 0.30 | 0.40 | 0.52 | 0.64 | 0.70 | 0.75 | 1.00 | 4.00 |
| | S20 | 0.01 | 0.01 | 0.01 | 0.01 | 0.04 | 0.05 | 0.06 | 0.07 | 0.08 | 0.10 | 0.40 |

Permissible impact velocity:

$$v_{perm.} = \sqrt{\frac{2 \times E_{perm.}}{m_{dead} + m_{load}}}$$

$v_{perm.}$ Permissible impact velocity
 $E_{perm.}$ Max. impact energy
 m_{dead} Moving load (drive)
 m_{load} Moving work load

Note
 These specifications represent the maximum values which can be reached. Note the maximum permitted impact energy.

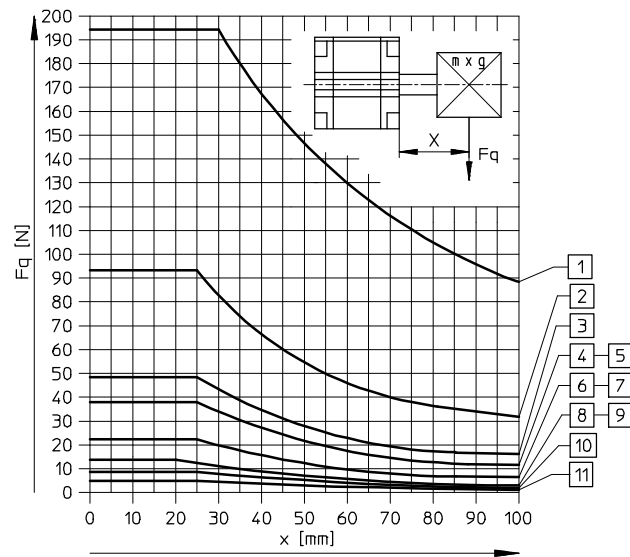
Maximum permissible load:

$$m_{load} = \frac{2 \times E_{perm.}}{v^2} - m_{dead}$$

Note
 Sizing software
 Pro Pneu
www.festo.com

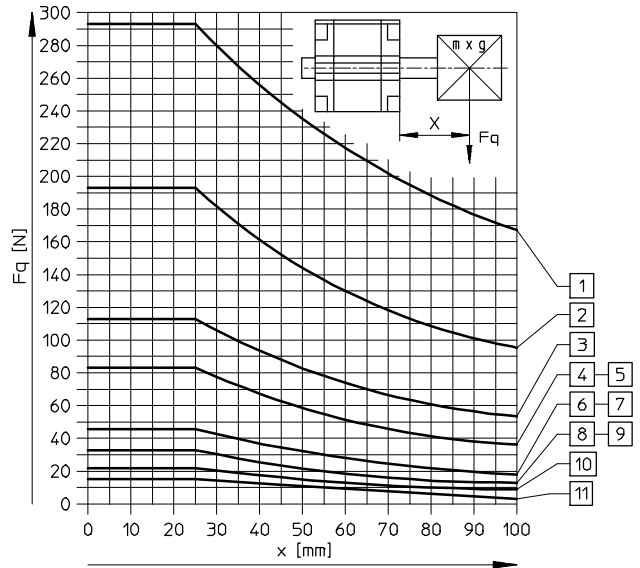
Max. lateral force F_q as a function of the projection x

Piston rod at one end



- 1 Ø 125 mm
- 2 Ø 100 mm
- 3 Ø 80 mm
- 4 Ø 63 mm
- 5 Ø 50 mm
- 6 Ø 40 mm
- 7 Ø 32 mm
- 8 Ø 25 mm

Through piston rod



- 9 Ø 20 mm
- 10 Ø 16 mm
- 11 Ø 12 mm

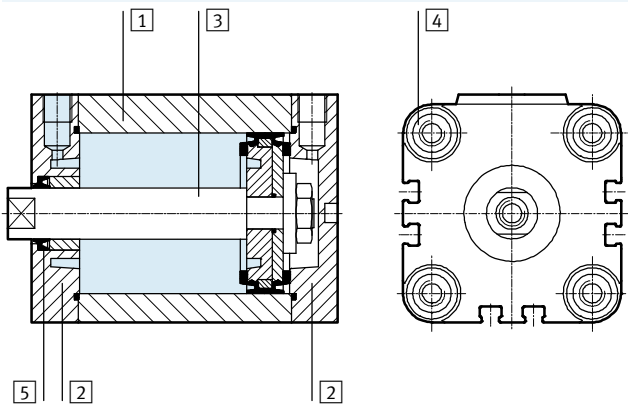
Compact cylinders ADVU

Technical data – Double-acting, basic version

| Weights [g] | | | | | | | | | | | |
|------------------------------------|----|----|-----|-----|-----|-----|-----|------|------|------|------|
| Piston \varnothing | 12 | 16 | 20 | 25 | 32 | 40 | 50 | 63 | 80 | 100 | 125 |
| Product weight with 0 mm stroke | 87 | 89 | 149 | 180 | 300 | 433 | 560 | 1059 | 1772 | 2797 | 3426 |
| Additional weight per 10 mm stroke | 15 | 15 | 23 | 28 | 40 | 59 | 72 | 107 | 168 | 177 | 168 |
| Moving load with 0 mm stroke | 8 | 12 | 20 | 26 | 49 | 63 | 112 | 134 | 307 | 614 | 1317 |
| Additional load per 10 mm stroke | 2 | 4 | 6 | 6 | 9 | 9 | 16 | 16 | 25 | 38 | 63 |

Materials

Sectional view



| Compact cylinder | Basic version | S6 | R3 |
|-------------------|--------------------------|----------------------------|----------------------------|
| 1 Cylinder barrel | Wrought aluminium alloy | Wrought aluminium alloy | Wrought aluminium alloy |
| 2 End cap | Wrought aluminium alloy | Wrought aluminium alloy | Wrought aluminium alloy |
| 3 Piston rod | \varnothing 12 ... 32 | High-alloy stainless steel | High-alloy stainless steel |
| | \varnothing 40 ... 125 | High-alloy steel | High-alloy stainless steel |
| 4 Flange screws | \varnothing 12 ... 16 | High-alloy stainless steel | High-alloy stainless steel |
| | \varnothing 20 ... 125 | Galvanised steel | High-alloy stainless steel |
| 5 Dynamic seals | Polyurethane | Fluorocarbon rubber | Polyurethane |

Compact cylinders ADVU

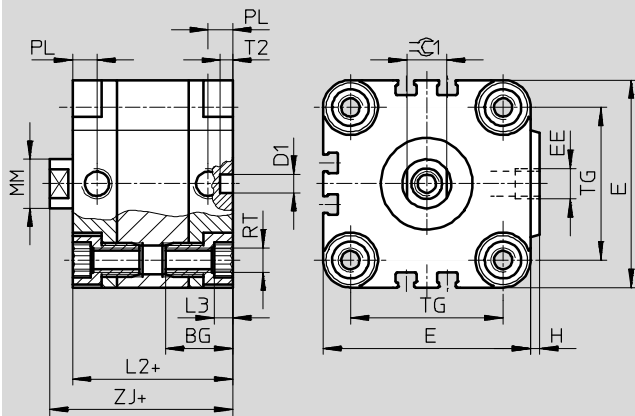
Technical data – Double-acting, basic version



Dimensions – Basic cylinder

Piston \varnothing 12 ... 100 mm

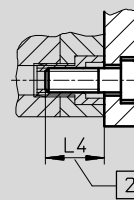
Download CAD data → www.festo.com



Note

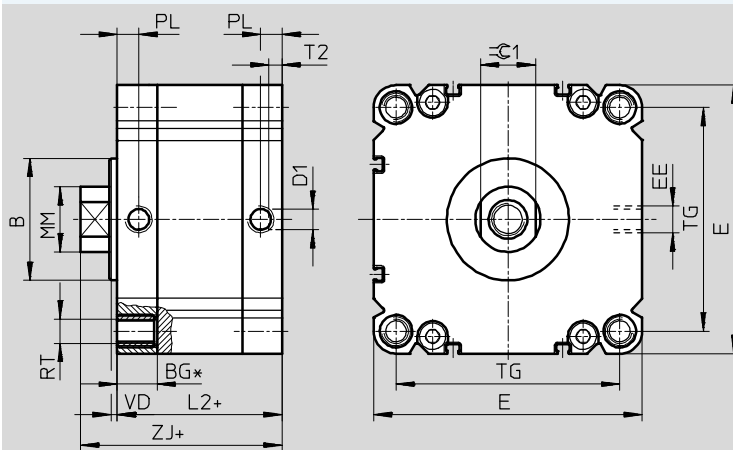
To attach cylinder \varnothing 12 and 16 mm from above, use only 2 screws diagonally or non-magnetic screws.

+ = plus stroke length



2 Minimum screw-in depth

Piston \varnothing 125 mm



* Minimum screw-in depth 18 mm.
Cannot be screwed through with socket head screws.

+ = plus stroke length

| \varnothing | B | BG | D1 | E | EE | H | L2 | L3 | L4 | MM | PL | RT | T2 | TG | VD | ZJ | $\approx C1$ |
|---------------|-----|------|------------------|-----|------|-----|------|----|----|---------------|------|-----|------|-----|----|------|--------------|
| [mm] | d11 | | \varnothing H9 | | | | | | | \varnothing | | | -0.2 | | | | h13 |
| 12 | - | 18.5 | 6 | 29 | M5 | 1 | 38 | 3 | 16 | 6 | 8 | M4 | 4 | 18 | - | 42.5 | 5 |
| 16 | - | 18.5 | 6 | 29 | M5 | 1 | 38 | 3 | 16 | 8 | 8 | M4 | 4 | 18 | - | 42.5 | 7 |
| 20 | - | 18.5 | 6 | 36 | M5 | 1.5 | 38 | 4 | 18 | 10 | 8 | M5 | 4 | 22 | - | 42.5 | 9 |
| 25 | - | 18.5 | 6 | 40 | M5 | 1.5 | 39.5 | 4 | 18 | 10 | 8 | M5 | 4 | 26 | - | 45 | 9 |
| 32 | - | 21.5 | 6 | 50 | G1/8 | 2 | 44.5 | 5 | 20 | 12 | 8 | M6 | 4 | 32 | - | 50.5 | 10 |
| 40 | - | 21.5 | 6 | 60 | G1/8 | 2.5 | 45.5 | 5 | 20 | 12 | 8 | M6 | 4 | 42 | - | 52 | 10 |
| 50 | - | 22 | 6 | 68 | G1/8 | 3 | 45.5 | 6 | 20 | 16 | 8 | M8 | 4 | 50 | - | 53 | 13 |
| 63 | - | 24.5 | 8 | 87 | G1/8 | 4 | 50 | 8 | 25 | 16 | 8 | M10 | 4 | 62 | - | 57.5 | 13 |
| 80 | - | 27.5 | 8 | 107 | G1/8 | 4 | 56 | 8 | 25 | 20 | 8.5 | M10 | 4 | 82 | - | 64 | 17 |
| 100 | - | 32.5 | 8 | 128 | G1/4 | 5 | 66.5 | 8 | 25 | 25 | 10.5 | M10 | 4 | 103 | - | 76.5 | 22 |
| 125 | 60 | 19.5 | 10 | 132 | G1/4 | - | 81 | - | 18 | 32 | 10.5 | M12 | 6 | 110 | 4 | 99 | 27 |

Note: This product conforms to ISO 1179-1 and to ISO 228-1

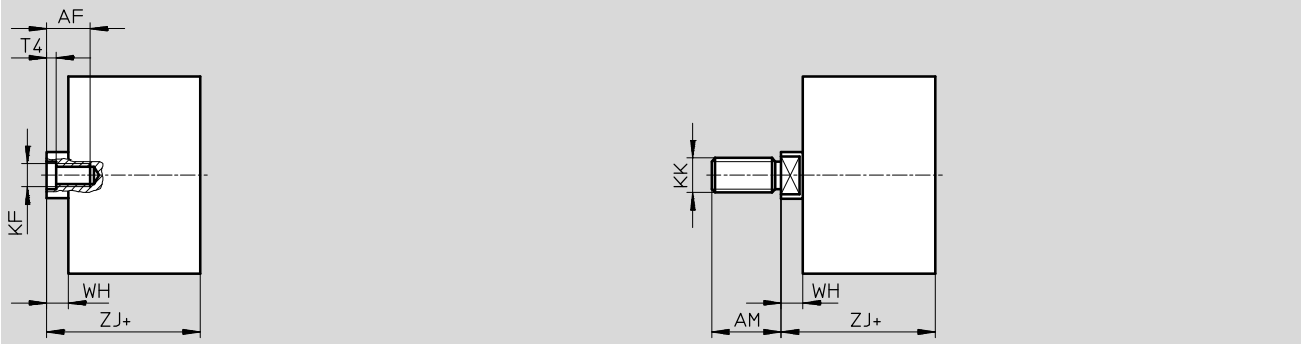
Compact cylinders ADVU

Technical data – Double-acting, basic version

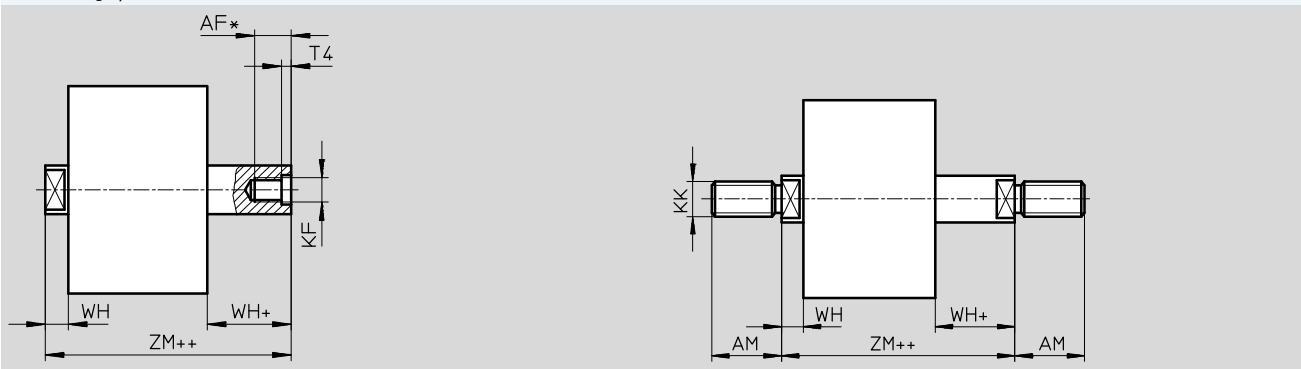
Dimensions – Variants

Download CAD data → www.festo.com

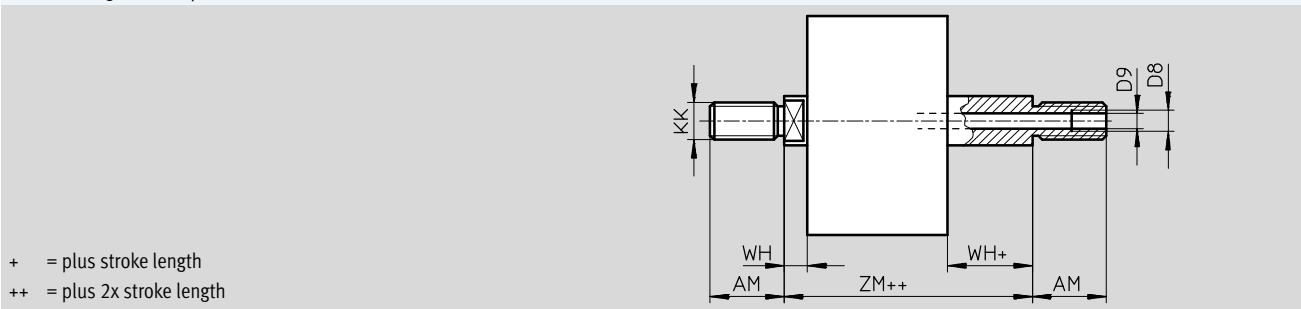
Basic version



S2 – Through piston rod



S20 – Through, hollow piston rod



+ = plus stroke length
++ = plus 2x stroke length


| ∅ [mm] | AF | AM | D8 | D9 ∅ | KF | KK | T4 | WH | ZJ | ZM |
|-------------------|------------------|----|-------------------------------|---------|-----|----------|-----|-----|------|------|
| 12 | 8 | 16 | – | 2.3 | M3 | M6 | 1.5 | 4.5 | 42.5 | 47 |
| 16 | 10 | 20 | – | 3.2 | M4 | M8 | 1.5 | 4.5 | 42.5 | 47 |
| 20 ²⁾ | 12 | 22 | – | 3.8 | M5 | M10x1.25 | 2 | 4.5 | 42.5 | 47 |
| 25 ²⁾ | 12 | 22 | – | 3.8 | M5 | M10x1.25 | 2 | 5.5 | 45 | 50.5 |
| 32 ²⁾ | 14 | 22 | – | 4.5 | M6 | M10x1.25 | 2.6 | 6 | 50.5 | 56.5 |
| 40 ²⁾ | 14 | 22 | – | 4.5 | M6 | M10x1.25 | 2.6 | 6.5 | 52 | 58.5 |
| 50 ²⁾ | 16 | 24 | – | 6 | M8 | M12x1.25 | 3.3 | 7.5 | 53 | 60.5 |
| 63 ²⁾ | 16 | 24 | – | 6 | M8 | M12x1.25 | 3.3 | 7.5 | 57.5 | 65 |
| 80 ²⁾ | 20 ¹⁾ | 32 | G ¹ / ₈ | 8 | M10 | M16x1.5 | 4.7 | 8 | 64 | 72 |
| 100 ²⁾ | 24 ¹⁾ | 40 | G ¹ / ₄ | 11.7 | M12 | M20x1.5 | 6.1 | 10 | 76.5 | 86.5 |
| 125 ²⁾ | 25 ¹⁾ | 54 | – | – | M16 | M27x2 | 7 | 18 | 99 | 117 |

1) With a stroke < 5 mm, the maximum screw-in depth is reduced by 5 mm
2) Nut for piston rod thread included in scope of delivery

Compact cylinders ADVU

Technical data – Double-acting, basic version


FESTO

| Ordering data – Basic version | | | | | | |
|---|------------------|----------------|-------------------------------|----------------|-----------------------------|------------------|
| Type | Piston Ø [mm] | Stroke [mm] | Piston rod with female thread | | Piston rod with male thread | |
| | | | Part No. | Type | Part No. | Type |
|  | 12 | 5 | 156 500 | ADVU-12-5-P-A | 156 586 | ADVU-12-5-A-P-A |
| | | 10 | 156 501 | ADVU-12-10-P-A | 156 587 | ADVU-12-10-A-P-A |
| | | 15 | 156 502 | ADVU-12-15-P-A | 156 588 | ADVU-12-15-A-P-A |
| | | 20 | 156 503 | ADVU-12-20-P-A | 156 589 | ADVU-12-20-A-P-A |
| | | 25 | 156 504 | ADVU-12-25-P-A | 156 590 | ADVU-12-25-A-P-A |
| | | 30 | 156 505 | ADVU-12-30-P-A | 156 591 | ADVU-12-30-A-P-A |
| | | 40 | 156 506 | ADVU-12-40-P-A | 156 592 | ADVU-12-40-A-P-A |
| | 16 | 5 | 156 507 | ADVU-16-5-P-A | 156 593 | ADVU-16-5-A-P-A |
| | | 10 | 156 508 | ADVU-16-10-P-A | 156 594 | ADVU-16-10-A-P-A |
| | | 15 | 156 509 | ADVU-16-15-P-A | 156 595 | ADVU-16-15-A-P-A |
| | | 20 | 156 510 | ADVU-16-20-P-A | 156 596 | ADVU-16-20-A-P-A |
| | | 25 | 156 511 | ADVU-16-25-P-A | 156 597 | ADVU-16-25-A-P-A |
| | | 30 | 156 512 | ADVU-16-30-P-A | 156 598 | ADVU-16-30-A-P-A |
| | | 40 | 156 513 | ADVU-16-40-P-A | 156 599 | ADVU-16-40-A-P-A |
| | 20 | 5 | 156 514 | ADVU-20-5-P-A | 156 600 | ADVU-20-5-A-P-A |
| | | 10 | 156 515 | ADVU-20-10-P-A | 156 601 | ADVU-20-10-A-P-A |
| | | 15 | 156 516 | ADVU-20-15-P-A | 156 602 | ADVU-20-15-A-P-A |
| | | 20 | 156 517 | ADVU-20-20-P-A | 156 603 | ADVU-20-20-A-P-A |
| | | 25 | 156 518 | ADVU-20-25-P-A | 156 604 | ADVU-20-25-A-P-A |
| | | 30 | 156 519 | ADVU-20-30-P-A | 156 605 | ADVU-20-30-A-P-A |
| | | 40 | 156 520 | ADVU-20-40-P-A | 156 606 | ADVU-20-40-A-P-A |
| | | 50 | 156 521 | ADVU-20-50-P-A | 156 607 | ADVU-20-50-A-P-A |
| | | 25 | 5 | 156 522 | ADVU-25-5-P-A | 156 608 |
| | 10 | | 156 523 | ADVU-25-10-P-A | 156 609 | ADVU-25-10-A-P-A |
| | 15 | | 156 524 | ADVU-25-15-P-A | 156 610 | ADVU-25-15-A-P-A |
| | 20 | | 156 525 | ADVU-25-20-P-A | 156 611 | ADVU-25-20-A-P-A |
| | 25 | | 156 526 | ADVU-25-25-P-A | 156 612 | ADVU-25-25-A-P-A |
| | 30 | | 156 527 | ADVU-25-30-P-A | 156 613 | ADVU-25-30-A-P-A |
| 40 | 156 528 | | ADVU-25-40-P-A | 156 614 | ADVU-25-40-A-P-A | |
| 50 | 156 529 | | ADVU-25-50-P-A | 156 615 | ADVU-25-50-A-P-A | |
| 32 | 5 | 156 530 | ADVU-32-5-P-A | 156 616 | ADVU-32-5-A-P-A | |
| | 10 | 156 531 | ADVU-32-10-P-A | 156 617 | ADVU-32-10-A-P-A | |
| | 15 | 156 532 | ADVU-32-15-P-A | 156 618 | ADVU-32-15-A-P-A | |
| | 20 | 156 533 | ADVU-32-20-P-A | 156 619 | ADVU-32-20-A-P-A | |
| | 25 | 156 534 | ADVU-32-25-P-A | 156 620 | ADVU-32-25-A-P-A | |
| | 30 | 156 535 | ADVU-32-30-P-A | 156 621 | ADVU-32-30-A-P-A | |
| | 40 | 156 536 | ADVU-32-40-P-A | 156 622 | ADVU-32-40-A-P-A | |
| | 50 | 156 537 | ADVU-32-50-P-A | 156 623 | ADVU-32-50-A-P-A | |
| | 60 | 156 538 | ADVU-32-60-P-A | 156 624 | ADVU-32-60-A-P-A | |
| | 80 | 156 539 | ADVU-32-80-P-A | 156 625 | ADVU-32-80-A-P-A | |

Compact cylinders ADVU

Technical data – Double-acting, basic version


FESTO

| Ordering data – Basic version | | | | | | |
|---|------------------------------|----------------|-------------------------------|----------------|-----------------------------|------------------|
| Type | Piston \varnothing [mm] | Stroke [mm] | Piston rod with female thread | | Piston rod with male thread | |
| | | | Part No. | Type | Part No. | Type |
|  | 40 | 5 | 156 540 | ADVU-40-5-P-A | 156 626 | ADVU-40-5-A-P-A |
| | | 10 | 156 541 | ADVU-40-10-P-A | 156 627 | ADVU-40-10-A-P-A |
| | | 15 | 156 542 | ADVU-40-15-P-A | 156 628 | ADVU-40-15-A-P-A |
| | | 20 | 156 543 | ADVU-40-20-P-A | 156 629 | ADVU-40-20-A-P-A |
| | | 25 | 156 544 | ADVU-40-25-P-A | 156 630 | ADVU-40-25-A-P-A |
| | | 30 | 156 545 | ADVU-40-30-P-A | 156 631 | ADVU-40-30-A-P-A |
| | | 40 | 156 546 | ADVU-40-40-P-A | 156 632 | ADVU-40-40-A-P-A |
| | | 50 | 156 547 | ADVU-40-50-P-A | 156 633 | ADVU-40-50-A-P-A |
| | | 60 | 156 548 | ADVU-40-60-P-A | 156 634 | ADVU-40-60-A-P-A |
| | | 80 | 156 549 | ADVU-40-80-P-A | 156 635 | ADVU-40-80-A-P-A |
| | 50 | 10 | 156 550 | ADVU-50-10-P-A | 156 636 | ADVU-50-10-A-P-A |
| | | 15 | 156 551 | ADVU-50-15-P-A | 156 637 | ADVU-50-15-A-P-A |
| | | 20 | 156 552 | ADVU-50-20-P-A | 156 638 | ADVU-50-20-A-P-A |
| | | 25 | 156 553 | ADVU-50-25-P-A | 156 639 | ADVU-50-25-A-P-A |
| | | 30 | 156 554 | ADVU-50-30-P-A | 156 640 | ADVU-50-30-A-P-A |
| | | 40 | 156 555 | ADVU-50-40-P-A | 156 641 | ADVU-50-40-A-P-A |
| | | 50 | 156 556 | ADVU-50-50-P-A | 156 642 | ADVU-50-50-A-P-A |
| | | 60 | 156 557 | ADVU-50-60-P-A | 156 643 | ADVU-50-60-A-P-A |
| | | 80 | 156 558 | ADVU-50-80-P-A | 156 644 | ADVU-50-80-A-P-A |
| | 63 | 10 | 156 559 | ADVU-63-10-P-A | 156 645 | ADVU-63-10-A-P-A |
| | | 15 | 156 560 | ADVU-63-15-P-A | 156 646 | ADVU-63-15-A-P-A |
| | | 20 | 156 561 | ADVU-63-20-P-A | 156 647 | ADVU-63-20-A-P-A |
| | | 25 | 156 562 | ADVU-63-25-P-A | 156 648 | ADVU-63-25-A-P-A |
| | | 30 | 156 563 | ADVU-63-30-P-A | 156 649 | ADVU-63-30-A-P-A |
| | | 40 | 156 564 | ADVU-63-40-P-A | 156 650 | ADVU-63-40-A-P-A |
| | | 50 | 156 565 | ADVU-63-50-P-A | 156 651 | ADVU-63-50-A-P-A |
| | | 60 | 156 566 | ADVU-63-60-P-A | 156 652 | ADVU-63-60-A-P-A |
| | | 80 | 156 567 | ADVU-63-80-P-A | 156 653 | ADVU-63-80-A-P-A |
| | 80 | 10 | 156 568 | ADVU-80-10-P-A | 156 654 | ADVU-80-10-A-P-A |
| | | 15 | 156 569 | ADVU-80-15-P-A | 156 655 | ADVU-80-15-A-P-A |
| | | 20 | 156 570 | ADVU-80-20-P-A | 156 656 | ADVU-80-20-A-P-A |
| | | 25 | 156 571 | ADVU-80-25-P-A | 156 657 | ADVU-80-25-A-P-A |
| 30 | | 156 572 | ADVU-80-30-P-A | 156 658 | ADVU-80-30-A-P-A | |
| 40 | | 156 573 | ADVU-80-40-P-A | 156 659 | ADVU-80-40-A-P-A | |
| 50 | | 156 574 | ADVU-80-50-P-A | 156 660 | ADVU-80-50-A-P-A | |
| 60 | | 156 575 | ADVU-80-60-P-A | 156 661 | ADVU-80-60-A-P-A | |
| 80 | | 156 576 | ADVU-80-80-P-A | 156 662 | ADVU-80-80-A-P-A | |
| 100 | 10 | 156 577 | ADVU-100-10-P-A | 156 663 | ADVU-100-10-A-P-A | |
| | 15 | 156 578 | ADVU-100-15-P-A | 156 664 | ADVU-100-15-A-P-A | |
| | 20 | 156 579 | ADVU-100-20-P-A | 156 665 | ADVU-100-20-A-P-A | |
| | 25 | 156 580 | ADVU-100-25-P-A | 156 666 | ADVU-100-25-A-P-A | |
| | 30 | 156 581 | ADVU-100-30-P-A | 156 667 | ADVU-100-30-A-P-A | |
| | 40 | 156 582 | ADVU-100-40-P-A | 156 668 | ADVU-100-40-A-P-A | |
| | 50 | 156 583 | ADVU-100-50-P-A | 156 669 | ADVU-100-50-A-P-A | |
| | 60 | 156 584 | ADVU-100-60-P-A | 156 670 | ADVU-100-60-A-P-A | |
| | 80 | 156 585 | ADVU-100-80-P-A | 156 671 | ADVU-100-80-A-P-A | |

Compact cylinders ADVU

Technical data – Double-acting, basic version







| Ordering data – Basic version | | | | | | |
|---|------------------|----------------|-------------------------------|-----------------|-----------------------------|-------------------|
| Type | Piston Ø [mm] | Stroke [mm] | Piston rod with female thread | | Piston rod with male thread | |
| | | | Part No. | Type | Part No. | Type |
|  | 125 | 10 | 175 750 | ADVU-125-10-P-A | 175 762 | ADVU-125-10-A-P-A |
| | | 15 | 175 751 | ADVU-125-15-P-A | 175 763 | ADVU-125-15-A-P-A |
| | | 20 | 175 752 | ADVU-125-20-P-A | 175 764 | ADVU-125-20-A-P-A |
| | | 25 | 175 753 | ADVU-125-25-P-A | 175 765 | ADVU-125-25-A-P-A |
| | | 30 | 175 754 | ADVU-125-30-P-A | 175 766 | ADVU-125-30-A-P-A |
| | | 40 | 175 755 | ADVU-125-40-P-A | 175 767 | ADVU-125-40-A-P-A |
| | | 50 | 175 756 | ADVU-125-50-P-A | 175 768 | ADVU-125-50-A-P-A |
| | | 60 | 175 757 | ADVU-125-60-P-A | 175 769 | ADVU-125-60-A-P-A |
| | | 80 | 175 758 | ADVU-125-80-P-A | 175 770 | ADVU-125-80-A-P-A |

Compact cylinders ADVU

Technical data – Double-acting, basic version




FESTO

| Ordering data – Variants | | | | | | |
|---|------------------|----------------|-------------------------------|----------------------|-----------------------------|------------------------|
| Type | Piston Ø [mm] | Stroke [mm] | Piston rod with female thread | | Piston rod with male thread | |
| | | | Part No. | Type | Part No. | Type |
| Variable stroke | | | | | | |
|  | 12 | 1 ... 200 | 156 000 | ADVU-12-...-P-A | 156 040 | ADVU-12-...-A-P-A |
| | 16 | 1 ... 200 | 156 001 | ADVU-16-...-P-A | 156 041 | ADVU-16-...-A-P-A |
| | 20 | 1 ... 200 | 156 002 | ADVU-20-...-P-A | 156 042 | ADVU-20-...-A-P-A |
| | 25 | 1 ... 200 | 156 003 | ADVU-25-...-P-A | 156 043 | ADVU-25-...-A-P-A |
| | 32 | 1 ... 300 | 156 004 | ADVU-32-...-P-A | 156 044 | ADVU-32-...-A-P-A |
| | 40 | 1 ... 300 | 156 005 | ADVU-40-...-P-A | 156 045 | ADVU-40-...-A-P-A |
| | 50 | 1 ... 300 | 156 006 | ADVU-50-...-P-A | 156 046 | ADVU-50-...-A-P-A |
| | 63 | 1 ... 300 | 156 007 | ADVU-63-...-P-A | 156 047 | ADVU-63-...-A-P-A |
| | 80 | 1 ... 400 | 156 008 | ADVU-80-...-P-A | 156 048 | ADVU-80-...-A-P-A |
| | 100 | 1 ... 400 | 156 009 | ADVU-100-...-P-A | 156 049 | ADVU-100-...-A-P-A |
| | 125 | 1 ... 400 | 175 759 | ADVU-125-...-P-A | 175 771 | ADVU-125-...-A-P-A |
| S2 – Through piston rod | | | | | | |
|  | 12 | 1 ... 200 | 156 010 | ADVU-12-...-P-A-S2 | 156 050 | ADVU-12-...-A-P-A-S2 |
| | 16 | 1 ... 200 | 156 011 | ADVU-16-...-P-A-S2 | 156 051 | ADVU-16-...-A-P-A-S2 |
| | 20 | 1 ... 200 | 156 012 | ADVU-20-...-P-A-S2 | 156 052 | ADVU-20-...-A-P-A-S2 |
| | 25 | 1 ... 200 | 156 013 | ADVU-25-...-P-A-S2 | 156 053 | ADVU-25-...-A-P-A-S2 |
| | 32 | 1 ... 300 | 156 014 | ADVU-32-...-P-A-S2 | 156 054 | ADVU-32-...-A-P-A-S2 |
| | 40 | 1 ... 300 | 156 015 | ADVU-40-...-P-A-S2 | 156 055 | ADVU-40-...-A-P-A-S2 |
| | 50 | 1 ... 300 | 156 016 | ADVU-50-...-P-A-S2 | 156 056 | ADVU-50-...-A-P-A-S2 |
| | 63 | 1 ... 300 | 156 017 | ADVU-63-...-P-A-S2 | 156 057 | ADVU-63-...-A-P-A-S2 |
| | 80 | 1 ... 400 | 156 018 | ADVU-80-...-P-A-S2 | 156 058 | ADVU-80-...-A-P-A-S2 |
| | 100 | 1 ... 400 | 156 019 | ADVU-100-...-P-A-S2 | 156 059 | ADVU-100-...-A-P-A-S2 |
| | 125 | 1 ... 400 | 175 760 | ADVU-125-...-P-A-S2 | 175 772 | ADVU-125-...-A-P-A-S2 |
| S6 – Heat resistant up to 120 °C | | | | | | |
|  | 12 | 1 ... 200 | 156 030 | ADVU-12-...-P-A-S6 | 156 090 | ADVU-12-...-A-P-A-S6 |
| | 16 | 1 ... 200 | 156 031 | ADVU-16-...-P-A-S6 | 156 091 | ADVU-16-...-A-P-A-S6 |
| | 20 | 1 ... 200 | 156 032 | ADVU-20-...-P-A-S6 | 156 092 | ADVU-20-...-A-P-A-S6 |
| | 25 | 1 ... 200 | 156 033 | ADVU-25-...-P-A-S6 | 156 093 | ADVU-25-...-A-P-A-S6 |
| | 32 | 1 ... 300 | 156 034 | ADVU-32-...-P-A-S6 | 156 094 | ADVU-32-...-A-P-A-S6 |
| | 40 | 1 ... 300 | 156 035 | ADVU-40-...-P-A-S6 | 156 095 | ADVU-40-...-A-P-A-S6 |
| | 50 | 1 ... 300 | 156 036 | ADVU-50-...-P-A-S6 | 156 096 | ADVU-50-...-A-P-A-S6 |
| | 63 | 1 ... 300 | 156 037 | ADVU-63-...-P-A-S6 | 156 097 | ADVU-63-...-A-P-A-S6 |
| | 80 | 1 ... 400 | 156 038 | ADVU-80-...-P-A-S6 | 156 098 | ADVU-80-...-A-P-A-S6 |
| | 100 | 1 ... 400 | 156 039 | ADVU-100-...-P-A-S6 | 156 099 | ADVU-100-...-A-P-A-S6 |
| | 125 | 1 ... 400 | 175 761 | ADVU-125-...-P-A-S6 | 175 773 | ADVU-125-...-A-P-A-S6 |
| S26 – Through piston rod, heat resistant up to 120 °C | | | | | | |
|  | 12 | 1 ... 200 | 156 020 | ADVU-12-...-P-A-S26 | 156 080 | ADVU-12-...-A-P-A-S26 |
| | 16 | 1 ... 200 | 156 021 | ADVU-16-...-P-A-S26 | 156 081 | ADVU-16-...-A-P-A-S26 |
| | 20 | 1 ... 200 | 156 022 | ADVU-20-...-P-A-S26 | 156 082 | ADVU-20-...-A-P-A-S26 |
| | 25 | 1 ... 200 | 156 023 | ADVU-25-...-P-A-S26 | 156 083 | ADVU-25-...-A-P-A-S26 |
| | 32 | 1 ... 300 | 156 024 | ADVU-32-...-P-A-S26 | 156 084 | ADVU-32-...-A-P-A-S26 |
| | 40 | 1 ... 300 | 156 025 | ADVU-40-...-P-A-S26 | 156 085 | ADVU-40-...-A-P-A-S26 |
| | 50 | 1 ... 300 | 156 026 | ADVU-50-...-P-A-S26 | 156 086 | ADVU-50-...-A-P-A-S26 |
| | 63 | 1 ... 300 | 156 027 | ADVU-63-...-P-A-S26 | 156 087 | ADVU-63-...-A-P-A-S26 |
| | 80 | 1 ... 400 | 156 028 | ADVU-80-...-P-A-S26 | 156 088 | ADVU-80-...-A-P-A-S26 |
| | 100 | 1 ... 400 | 156 029 | ADVU-100-...-P-A-S26 | 156 089 | ADVU-100-...-A-P-A-S26 |

Compact cylinders ADVU

Technical data – Double-acting, basic version

FESTO

| Ordering data – Variants | | | | | | |
|---|------------------|----------------|-------------------------------|----------------------------|-----------------------------|--------------------------------|
| Type | Piston Ø [mm] | Stroke [mm] | Piston rod with female thread | | Piston rod with male thread | |
| | | | Part No. | Type | Part No. | Type |
| S20 – Through, hollow piston rod | | | | | | |
|  | 12 | 1 ... 200 | - | | 156 060 | ADVU-12-...-A-P-A-S20 |
| | 16 | 1 ... 200 | | | 156 061 | ADVU-16-...-A-P-A-S20 |
| | 20 | 1 ... 200 | | | 156 062 | ADVU-20-...-A-P-A-S20 |
| | 25 | 1 ... 200 | | | 156 063 | ADVU-25-...-A-P-A-S20 |
| | 32 | 1 ... 300 | | | 156 064 | ADVU-32-...-A-P-A-S20 |
| | 40 | 1 ... 300 | | | 156 065 | ADVU-40-...-A-P-A-S20 |
| | 50 | 1 ... 300 | | | 156 066 | ADVU-50-...-A-P-A-S20 |
| | 63 | 1 ... 300 | | | 156 067 | ADVU-63-...-A-P-A-S20 |
| | 80 | 1 ... 400 | | | 156 068 | ADVU-80-...-A-P-A-S20 |
| | 100 | 1 ... 400 | | | 156 069 | ADVU-100-...-A-P-A-S20 |
| S206 – Through, hollow piston rod, heat resistant up to 120 °C | | | | | | |
|  | 12 | 1 ... 200 | - | | 156 070 | ADVU-12-...-A-P-A-S206 |
| | 16 | 1 ... 200 | | | 156 071 | ADVU-16-...-A-P-A-S206 |
| | 20 | 1 ... 200 | | | 156 072 | ADVU-20-...-A-P-A-S206 |
| | 25 | 1 ... 200 | | | 156 073 | ADVU-25-...-A-P-A-S206 |
| | 32 | 1 ... 300 | | | 156 074 | ADVU-32-...-A-P-A-S206 |
| | 40 | 1 ... 300 | | | 156 075 | ADVU-40-...-A-P-A-S206 |
| | 50 | 1 ... 300 | | | 156 076 | ADVU-50-...-A-P-A-S206 |
| | 63 | 1 ... 300 | | | 156 077 | ADVU-63-...-A-P-A-S206 |
| | 80 | 1 ... 400 | | | 156 078 | ADVU-80-...-A-P-A-S206 |
| | 100 | 1 ... 400 | | | 156 079 | ADVU-100-...-A-P-A-S206 |
| R3 – Increased corrosion protection | | | | | | |
|  | 12 | 1 ... 200 | 176 840 | ADVU-12-...-P-A-R3 | 176 851 | ADVU-12-...-A-P-A-R3 |
| | 16 | 1 ... 200 | 176 841 | ADVU-16-...-P-A-R3 | 176 852 | ADVU-16-...-A-P-A-R3 |
| | 20 | 1 ... 200 | 176 842 | ADVU-20-...-P-A-R3 | 176 853 | ADVU-20-...-A-P-A-R3 |
| | 25 | 1 ... 200 | 176 843 | ADVU-25-...-P-A-R3 | 176 854 | ADVU-25-...-A-P-A-R3 |
| | 32 | 1 ... 300 | 176 844 | ADVU-32-...-P-A-R3 | 176 855 | ADVU-32-...-A-P-A-R3 |
| | 40 | 1 ... 300 | 176 845 | ADVU-40-...-P-A-R3 | 176 856 | ADVU-40-...-A-P-A-R3 |
| | 50 | 1 ... 300 | 176 846 | ADVU-50-...-P-A-R3 | 176 857 | ADVU-50-...-A-P-A-R3 |
| | 63 | 1 ... 300 | 176 847 | ADVU-63-...-P-A-R3 | 176 858 | ADVU-63-...-A-P-A-R3 |
| | 80 | 1 ... 400 | 176 848 | ADVU-80-...-P-A-R3 | 176 859 | ADVU-80-...-A-P-A-R3 |
| | 100 | 1 ... 400 | 176 849 | ADVU-100-...-P-A-R3 | 176 860 | ADVU-100-...-A-P-A-R3 |
| | 125 | 1 ... 400 | 176 850 | ADVU-125-...-P-A-R3 | 176 861 | ADVU-125-...-A-P-A-R3 |

Compact cylinders ADVU

Technical data – Double-acting, basic version

| Ordering data – Wearing parts kits | | | |
|------------------------------------|---------------|------------------------------------|---|
| | Part No. | Type | |
| Piston Ø | Basic version | | S6 – Heat resistant up to 120 °C |
| 12 | 121 115 | ADVU-12-...-(A)-P-A ¹⁾ | 383 559 ADVU-12-...-(A)-P-A-S6 ²⁾ |
| 16 | 121 116 | ADVU-16-...-(A)-P-A ¹⁾ | 383 560 ADVU-16-...-(A)-P-A-S6 ²⁾ |
| 20 | 121 117 | ADVU-20-...-(A)-P-A ¹⁾ | 383 561 ADVU-20-...-(A)-P-A-S6 ²⁾ |
| 25 | 121 118 | ADVU-25-...-(A)-P-A ¹⁾ | 383 562 ADVU-25-...-(A)-P-A-S6 ²⁾ |
| 32 | 121 119 | ADVU-32-...-(A)-P-A ¹⁾ | 383 563 ADVU-32-...-(A)-P-A-S6 ¹⁾ |
| 40 | 121 120 | ADVU-40-...-(A)-P-A ¹⁾ | 383 564 ADVU-40-...-(A)-P-A-S6 ¹⁾ |
| 50 | 121 121 | ADVU-50-...-(A)-P-A ¹⁾ | 383 565 ADVU-50-...-(A)-P-A-S6 ¹⁾ |
| 63 | 121 122 | ADVU-63-...-(A)-P-A ¹⁾ | 383 566 ADVU-63-...-(A)-P-A-S6 ¹⁾ |
| 80 | 121 123 | ADVU-80-...-(A)-P-A ¹⁾ | 383 567 ADVU-80-...-(A)-P-A-S6 ¹⁾ |
| 100 | 121 124 | ADVU-100-...-(A)-P-A ¹⁾ | 383 568 ADVU-100-...-(A)-P-A-S6 ¹⁾ |
| 125 | 380 423 | ADVU-125-...-(A)-P-A ¹⁾ | 383 569 ADVU-125-...-(A)-P-A-S6 ¹⁾ |

1) Assembly grease included in scope of delivery

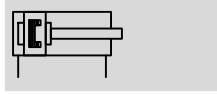
2) Assembly grease not included in scope of delivery. If required, please order separately under part no. 329 555 (20 ml)

Compact cylinders ADVULQ

Technical data – Double-acting, non-rotating with square piston rod

FESTO

Function



- Ø - Diameter
12 ... 100 mm

- | - Stroke length
1 ... 400 mm

- T - www.festo.com

Variants



S2



S6



S26



S20



S206



ADVULQ-...-...-P-A



ADVULQ-...-...-P-A-S2

| General technical data | | | | | | | | | | | |
|--------------------------------|--|----|----|----------|----|------|----------|------|---------|---------|------|
| Piston Ø | | 12 | 16 | 20 | 25 | 32 | 40 | 50 | 63 | 80 | 100 |
| Pneumatic connection | | M5 | M5 | M5 | M5 | G1/8 | G1/8 | G1/8 | G1/8 | G1/8 | G1/4 |
| End of piston rod | Female thread | M3 | M4 | M5 | M5 | M6 | M6 | M8 | M8 | M10 | M12 |
| | Male thread | M6 | M8 | M10x1.25 | | | M12x1.25 | | M16x1.5 | M20x1.5 | |
| Operating medium | Compressed air in accordance with ISO 8573-1:2010 [7:4:4] | | | | | | | | | | |
| Note on operating/pilot medium | Operation with lubricated medium possible (in which case lubricated operation will always be required) | | | | | | | | | | |
| Constructional design | Piston | | | | | | | | | | |
| | Piston rod | | | | | | | | | | |
| Cushioning | Flexible cushioning rings/plates at both ends | | | | | | | | | | |
| Position sensing | For proximity sensing | | | | | | | | | | |
| Type of mounting | Via through-holes | | | | | | | | | | |
| | Via female thread | | | | | | | | | | |
| | Via accessories | | | | | | | | | | |
| Mounting position | Any | | | | | | | | | | |

- | - Note: This product conforms to ISO 1179-1 and to ISO 228-1

| Operating pressure [bar] | | | | | | | | | | | |
|---------------------------|--|------------|------------|------------|----|------------|----|----|------------|----|-----|
| Piston Ø | | 12 | 16 | 20 | 25 | 32 | 40 | 50 | 63 | 80 | 100 |
| Piston rod at one end | | 1.3 ... 10 | | 1.0 ... 10 | | 0.8 ... 10 | | | 0.6 ... 10 | | |
| Through piston rod S2/S20 | | 1.5 ... 10 | 1.3 ... 10 | 1.2 ... 10 | | 1.0 ... 10 | | | 0.8 ... 10 | | |

| Ambient conditions | | |
|--|---------------|-------------|
| Compact cylinder | Basic version | S6 |
| Ambient temperature ¹⁾ | [°C] | -20 ... +80 |
| Corrosion resistance class CRC ²⁾ | | 2 |

1) Note operating range of proximity sensors

2) Corrosion resistance class 2 according to Festo standard 940 070

Components requiring moderate corrosion resistance. Externally visible parts with primarily decorative surface requirements which are in direct contact with a surrounding industrial atmosphere or media such as cooling or lubricating agents

Compact cylinders ADVULQ

Technical data – Double-acting, non-rotating with square piston rod

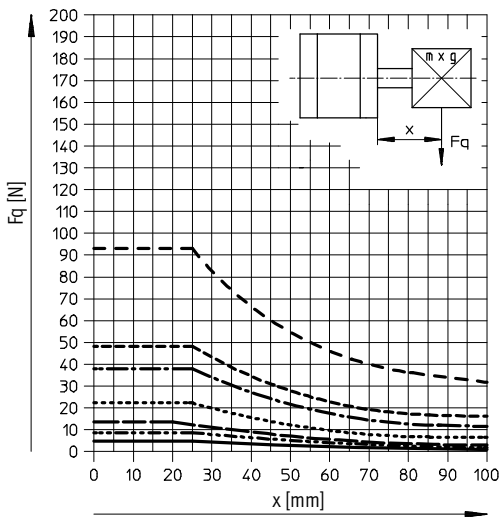
| Forces [N] and impact energy [J] | | | | | | | | | | | |
|--|--------|------|------|------|------|------|------|------|------|------|------|
| Piston Ø | 12 | 16 | 20 | 25 | 32 | 40 | 50 | 63 | 80 | 100 | |
| Theoretical force at 6 bar, advancing | | 68 | 121 | 188 | 295 | 483 | 754 | 1178 | 1870 | 3016 | 4712 |
| | S2/S20 | 51 | 90 | 141 | 247 | 415 | 686 | 1057 | 1750 | 2827 | 4418 |
| Theoretical force at 6 bar, retracting | | 51 | 90 | 141 | 247 | 415 | 686 | 1057 | 1750 | 2827 | 4418 |
| | S2/S20 | 51 | 90 | 141 | 247 | 415 | 686 | 1057 | 1750 | 2827 | 4418 |
| Max. impact energy at end positions | | 0.07 | 0.10 | 0.14 | 0.30 | 0.40 | 0.52 | 0.64 | 0.70 | 0.75 | 1.00 |
| | S20 | 0.01 | 0.01 | 0.01 | 0.01 | 0.04 | 0.05 | 0.06 | 0.07 | 0.08 | 0.10 |

| Technical data – Square piston rod | | | | | | | | | | |
|--|------|------|------|------|------|------|------|------|------|------|
| Piston Ø | 12 | 16 | 20 | 25 | 32 | 40 | 50 | 63 | 80 | 100 |
| Max. torque at the piston rod ¹⁾ [Nm] | 0.10 | 0.20 | 0.45 | 0.45 | 0.80 | 0.80 | 1.10 | 1.10 | 1.50 | 3.00 |
| Max. torsional backlash of piston rod [°] | ±1.0 | ±0.9 | ±0.8 | ±0.8 | ±0.6 | ±0.6 | ±0.5 | ±0.5 | ±0.4 | ±0.4 |
| Piston rod distortion [°/50 mm] | 0.40 | 0.30 | 0.25 | 0.25 | 0.20 | 0.20 | 0.15 | 0.15 | 0.15 | 0.09 |

1) The max. torque must not be exceeded even when fitting attachments

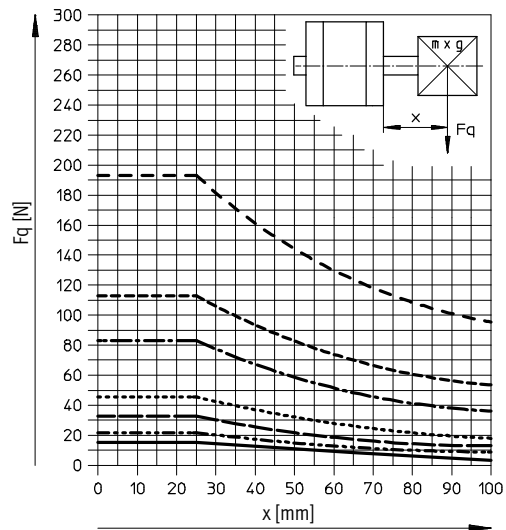
Max. lateral force F_q as a function of the projection x

Piston rod at one end



- Ø 12
- - - - - Ø 16
- - - - - Ø 20/25
- - - - - Ø 32/40
- - - - - Ø 50/63
- - - - - Ø 80
- - - - - Ø 100

Through piston rod



- Ø 12
- - - - - Ø 16
- - - - - Ø 20/25
- - - - - Ø 32/40
- - - - - Ø 50/63
- - - - - Ø 80
- - - - - Ø 100

Compact cylinders ADVULQ

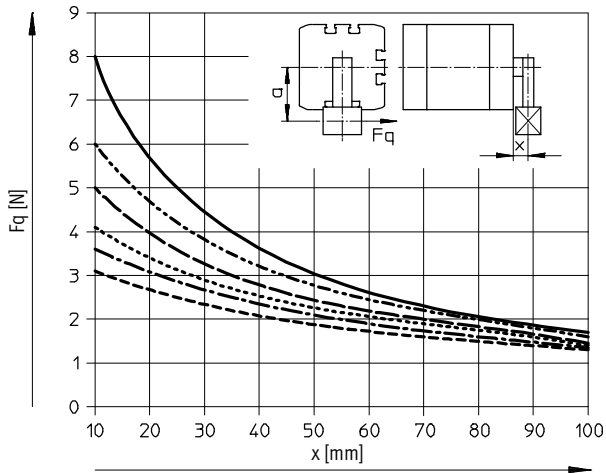
Technical data – Double-acting, non-rotating with square piston rod



Max. lateral force F_q as a function of the projection x

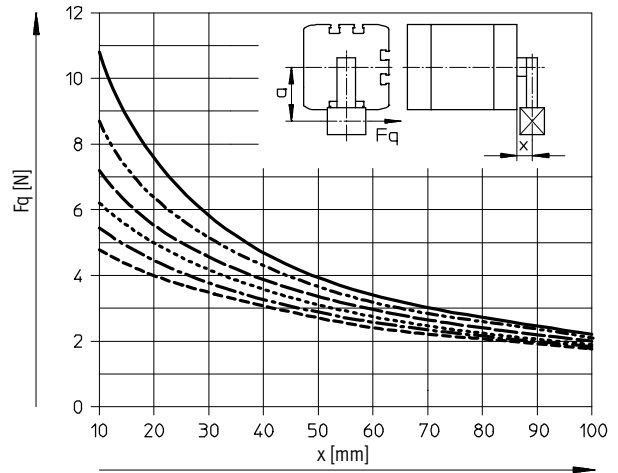
Q – square piston rod

Ø 12



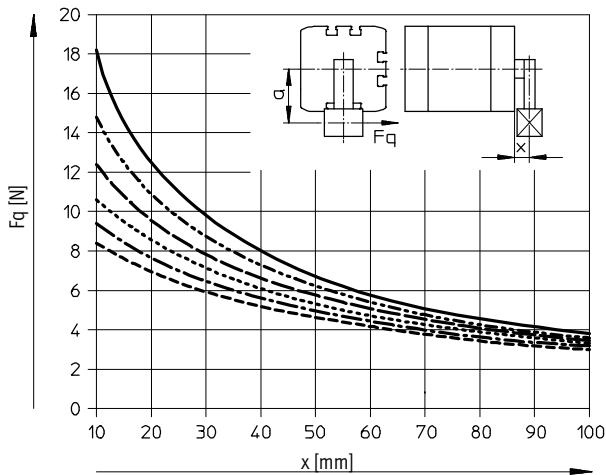
- a = 5 mm
- - - a = 10 mm
- - - a = 15 mm
- - - a = 20 mm
- - - a = 25 mm
- - - a = 30 mm

Ø 16



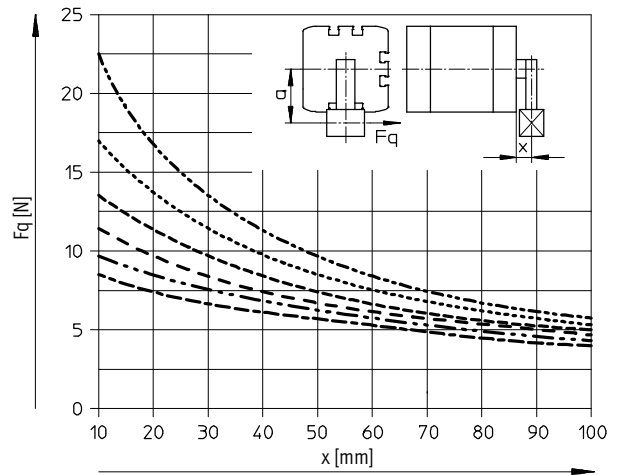
- a = 5 mm
- - - a = 10 mm
- - - a = 15 mm
- - - a = 20 mm
- - - a = 25 mm
- - - a = 30 mm

Ø 20/25



- a = 5 mm
- - - a = 10 mm
- - - a = 15 mm
- - - a = 20 mm
- - - a = 25 mm
- - - a = 30 mm

Ø 32/40



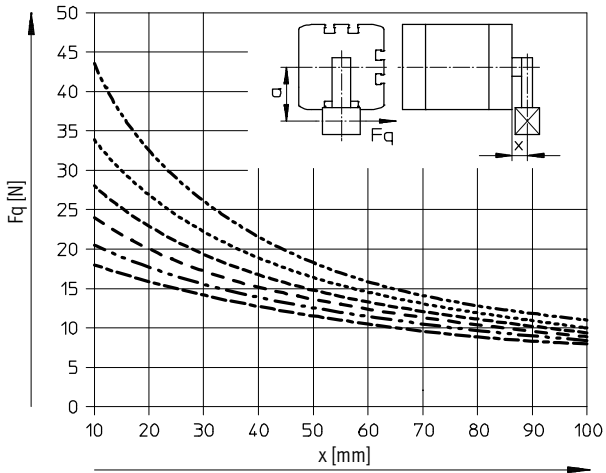
- - - a = 10 mm
- - - a = 20 mm
- - - a = 30 mm
- - - a = 40 mm
- - - a = 50 mm
- - - a = 60 mm

Compact cylinders ADVULQ

Technical data – Double-acting, non-rotating with square piston rod

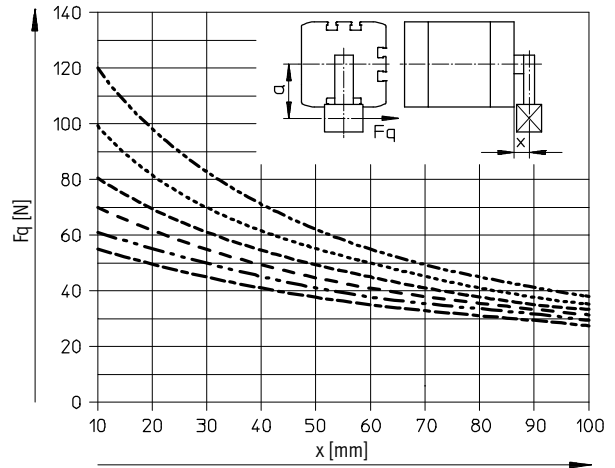
Max. lateral force F_q as a function of the projection x

∅ 50/63



- a = 10 mm
- a = 20 mm
- a = 30 mm
- a = 40 mm
- a = 50 mm
- a = 60 mm

∅ 80/100



- a = 10 mm
- a = 20 mm
- a = 30 mm
- a = 40 mm
- a = 50 mm
- a = 60 mm

Weights [g]

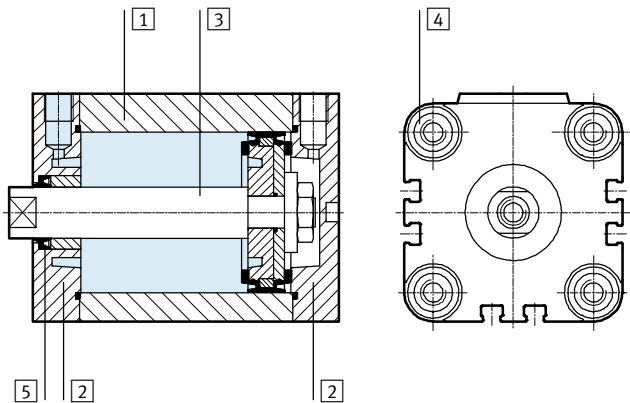
| Piston ∅ | 12 | 16 | 20 | 25 | 32 | 40 | 50 | 63 | 80 | 100 |
|------------------------------------|----|----|-----|-----|-----|-----|-----|------|------|------|
| Product weight with 0 mm stroke | 87 | 89 | 149 | 180 | 300 | 433 | 560 | 1059 | 1772 | 2797 |
| Additional weight per 10 mm stroke | 15 | 15 | 23 | 28 | 40 | 59 | 72 | 107 | 168 | 177 |
| Moving load with 0 mm stroke | 8 | 12 | 20 | 26 | 49 | 63 | 112 | 134 | 307 | 614 |
| Additional load per 10 mm stroke | 2 | 4 | 6 | 6 | 9 | 9 | 16 | 16 | 25 | 38 |

Compact cylinders ADVULQ

Technical data – Double-acting, non-rotating with square piston rod

Materials

Sectional view



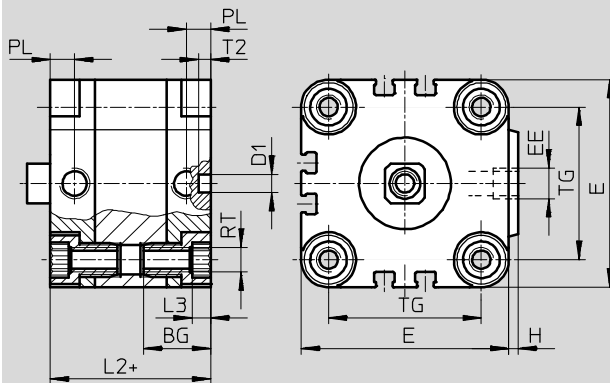
| Compact cylinder | | Basic version | S6 |
|------------------|-----------------|-------------------------|----------------------------|
| 1 | Cylinder barrel | Wrought aluminium alloy | Wrought aluminium alloy |
| 2 | End cap | Wrought aluminium alloy | Wrought aluminium alloy |
| 3 | Piston rod | ∅ 12 ... 32 | High-alloy stainless steel |
| | | ∅ 40 ... 100 | High-alloy steel |
| 4 | Flange screws | ∅ 12 ... 16 | High-alloy stainless steel |
| | | ∅ 20 ... 100 | Galvanised steel |
| 5 | Dynamic seals | Polyurethane | Fluorocarbon rubber |

Compact cylinders ADVULQ

Technical data – Double-acting, non-rotating with square piston rod

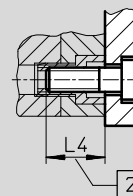
Dimensions – Basic cylinder

Download CAD data → www.festo.com



- - Note
To attach cylinder Ø 12 and 16 mm from above, use only 2 screws diagonally or non-magnetic screws.

+ = plus stroke length



2 Minimum screw-in depth

| Ø | BG | D1 | E | EE | H | L2 | L3 | L4 | PL | RT | T2 | TG |
|------|------|------|-----|------|-----|------|----|----|------|-----|------|-----|
| [mm] | | Ø H9 | | | | | | | | | -0.2 | |
| 12 | 18.5 | 6 | 29 | M5 | 1 | 38 | 3 | 16 | 8 | M4 | 4 | 18 |
| 16 | 18.5 | 6 | 29 | M5 | 1 | 38 | 3 | 16 | 8 | M4 | 4 | 18 |
| 20 | 18.5 | 6 | 36 | M5 | 1.5 | 38 | 4 | 18 | 8 | M5 | 4 | 22 |
| 25 | 18.5 | 6 | 40 | M5 | 1.5 | 39.5 | 4 | 18 | 8 | M5 | 4 | 26 |
| 32 | 21.5 | 6 | 50 | G1/8 | 2 | 44.5 | 5 | 20 | 8 | M6 | 4 | 32 |
| 40 | 21.5 | 6 | 60 | G1/8 | 2.5 | 45.5 | 5 | 20 | 8 | M6 | 4 | 42 |
| 50 | 22 | 6 | 68 | G1/8 | 3 | 45.5 | 6 | 20 | 8 | M8 | 4 | 50 |
| 63 | 24.5 | 8 | 87 | G1/8 | 4 | 50 | 8 | 25 | 8 | M10 | 4 | 62 |
| 80 | 27.5 | 8 | 107 | G1/8 | 4 | 56 | 8 | 25 | 8.5 | M10 | 4 | 82 |
| 100 | 32.5 | 8 | 128 | G1/4 | 5 | 66.5 | 8 | 25 | 10.5 | M10 | 4 | 103 |

- - Note: This product conforms to ISO 1179-1 and to ISO 228-1

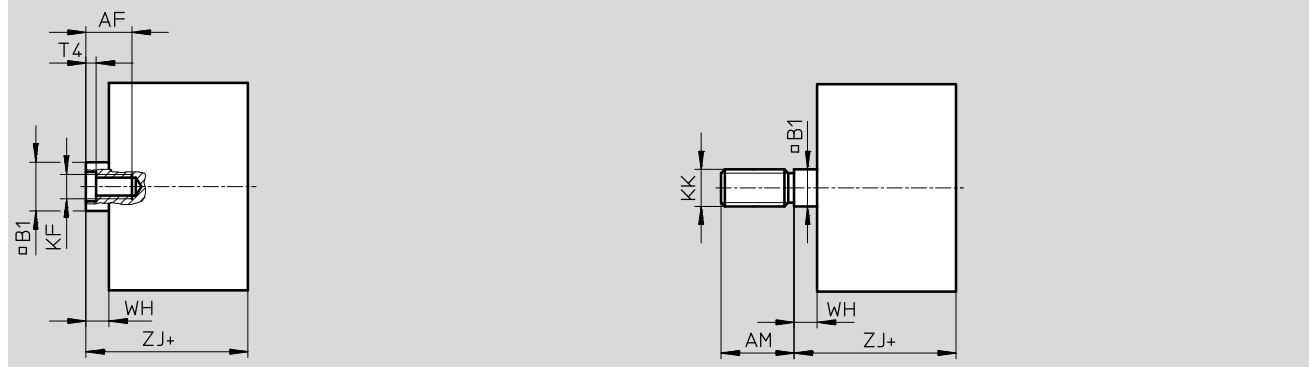
Compact cylinders ADVULQ

Technical data – Double-acting, non-rotating with square piston rod

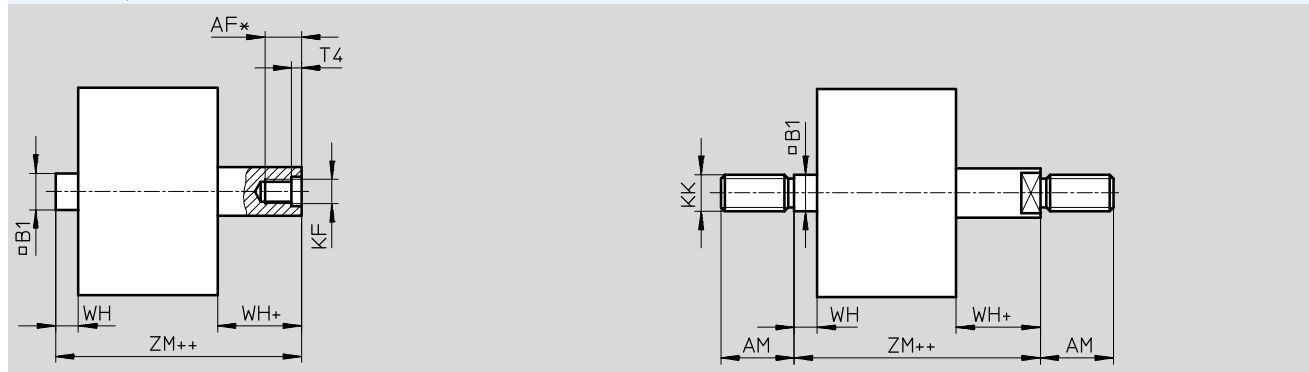
Dimensions – Variants

Download CAD data → www.festo.com

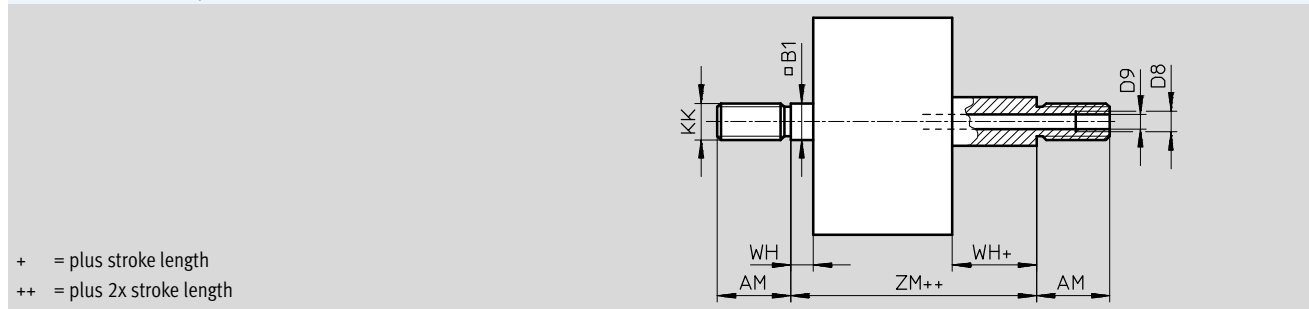
Basic version



S2 – Through piston rod



S20 – Through, hollow piston rod




+ = plus stroke length
++ = plus 2x stroke length

| ∅ [mm] | AF | AM | B1 □ | D8 | D9 ∅ | Kf | KK | T4 | WH | ZJ | ZM |
|-------------------|------------------|----|---------|------|---------|-----|----------|-----|-----|------|------|
| 12 | 8 | 16 | 5.5 | – | 2.3 | M3 | M6 | 1.5 | 4.5 | 42.5 | 47 |
| 16 | 10 | 20 | 7 | – | 3.2 | M4 | M8 | 1.5 | 4.5 | 42.5 | 47 |
| 20 ²⁾ | 12 | 22 | 9 | – | 3.8 | M5 | M10x1.25 | 2 | 4.5 | 42.5 | 47 |
| 25 ²⁾ | 12 | 22 | 9 | – | 3.8 | M5 | M10x1.25 | 2 | 5.5 | 45 | 50.5 |
| 32 ²⁾ | 14 | 22 | 10 | – | 4.5 | M6 | M10x1.25 | 2.6 | 6 | 50.5 | 56.5 |
| 40 ²⁾ | 14 | 22 | 10 | – | 4.5 | M6 | M10x1.25 | 2.6 | 6.5 | 52 | 58.5 |
| 50 ²⁾ | 16 | 24 | 12 | – | 6 | M8 | M12x1.25 | 3.3 | 7.5 | 53 | 60.5 |
| 63 ²⁾ | 16 | 24 | 12 | – | 6 | M8 | M12x1.25 | 3.3 | 7.5 | 57.5 | 65 |
| 80 ²⁾ | 20 ¹⁾ | 32 | 16 | G1/8 | 8 | M10 | M16x1.5 | 4.7 | 8 | 64 | 72 |
| 100 ²⁾ | 24 ¹⁾ | 40 | 20 | G1/4 | 11.7 | M12 | M20x1.5 | 6.1 | 10 | 76.5 | 86.5 |

1) With a stroke < 5 mm, the maximum screw-in depth is reduced by 5 mm
2) Nut for piston rod thread included in scope of delivery

Compact cylinders ADVULQ


Technical data – Double-acting, non-rotating with square piston rod

| Ordering data – Basic version | | | | | | | |
|---|------------------|----------------|-------------------------------|------------------|-----------------------------|--------------------|--------------------|
| Type | Piston Ø [mm] | Stroke [mm] | Piston rod with female thread | | Piston rod with male thread | | |
| | | | Part No. | Type | Part No. | Type | |
|  | 12 | 5 | 156 672 | ADVULQ-12-5-P-A | 156 758 | ADVULQ-12-5-A-P-A | |
| | | 10 | 156 673 | ADVULQ-12-10-P-A | 156 759 | ADVULQ-12-10-A-P-A | |
| | | 15 | 156 674 | ADVULQ-12-15-P-A | 156 760 | ADVULQ-12-15-A-P-A | |
| | | 20 | 156 675 | ADVULQ-12-20-P-A | 156 761 | ADVULQ-12-20-A-P-A | |
| | | 25 | 156 676 | ADVULQ-12-25-P-A | 156 762 | ADVULQ-12-25-A-P-A | |
| | | 30 | 156 677 | ADVULQ-12-30-P-A | 156 763 | ADVULQ-12-30-A-P-A | |
| | | 40 | 156 678 | ADVULQ-12-40-P-A | 156 764 | ADVULQ-12-40-A-P-A | |
| | | 16 | 5 | 156 679 | ADVULQ-16-5-P-A | 156 765 | ADVULQ-16-5-A-P-A |
| | 10 | | 156 680 | ADVULQ-16-10-P-A | 156 766 | ADVULQ-16-10-A-P-A | |
| | 15 | | 156 681 | ADVULQ-16-15-P-A | 156 767 | ADVULQ-16-15-A-P-A | |
| | 20 | | 156 682 | ADVULQ-16-20-P-A | 156 768 | ADVULQ-16-20-A-P-A | |
| | 25 | | 156 683 | ADVULQ-16-25-P-A | 156 769 | ADVULQ-16-25-A-P-A | |
| | 30 | | 156 684 | ADVULQ-16-30-P-A | 156 770 | ADVULQ-16-30-A-P-A | |
| | 40 | | 156 685 | ADVULQ-16-40-P-A | 156 771 | ADVULQ-16-40-A-P-A | |
| | 20 | | 5 | 156 686 | ADVULQ-20-5-P-A | 156 772 | ADVULQ-20-5-A-P-A |
| | | 10 | 156 687 | ADVULQ-20-10-P-A | 156 773 | ADVULQ-20-10-A-P-A | |
| | | 15 | 156 688 | ADVULQ-20-15-P-A | 156 774 | ADVULQ-20-15-A-P-A | |
| | | 20 | 156 689 | ADVULQ-20-20-P-A | 156 775 | ADVULQ-20-20-A-P-A | |
| | | 25 | 156 690 | ADVULQ-20-25-P-A | 156 776 | ADVULQ-20-25-A-P-A | |
| | | 30 | 156 691 | ADVULQ-20-30-P-A | 156 777 | ADVULQ-20-30-A-P-A | |
| | | 40 | 156 692 | ADVULQ-20-40-P-A | 156 778 | ADVULQ-20-40-A-P-A | |
| | | 50 | 156 693 | ADVULQ-20-50-P-A | 156 779 | ADVULQ-20-50-A-P-A | |
| | | 25 | 5 | 156 694 | ADVULQ-25-5-P-A | 156 780 | ADVULQ-25-5-A-P-A |
| | | | 10 | 156 695 | ADVULQ-25-10-P-A | 156 781 | ADVULQ-25-10-A-P-A |
| | 15 | | 156 696 | ADVULQ-25-15-P-A | 156 782 | ADVULQ-25-15-A-P-A | |
| | 20 | | 156 697 | ADVULQ-25-20-P-A | 156 783 | ADVULQ-25-20-A-P-A | |
| | 25 | | 156 698 | ADVULQ-25-25-P-A | 156 784 | ADVULQ-25-25-A-P-A | |
| | 30 | | 156 699 | ADVULQ-25-30-P-A | 156 785 | ADVULQ-25-30-A-P-A | |
| 40 | 156 700 | | ADVULQ-25-40-P-A | 156 786 | ADVULQ-25-40-A-P-A | | |
| 50 | 156 701 | | ADVULQ-25-50-P-A | 156 787 | ADVULQ-25-50-A-P-A | | |
| 32 | 5 | 156 702 | ADVULQ-32-5-P-A | 156 788 | ADVULQ-32-5-A-P-A | | |
| | 10 | 156 703 | ADVULQ-32-10-P-A | 156 789 | ADVULQ-32-10-A-P-A | | |
| | 15 | 156 704 | ADVULQ-32-15-P-A | 156 790 | ADVULQ-32-15-A-P-A | | |
| | 20 | 156 705 | ADVULQ-32-20-P-A | 156 791 | ADVULQ-32-20-A-P-A | | |
| | 25 | 156 706 | ADVULQ-32-25-P-A | 156 792 | ADVULQ-32-25-A-P-A | | |
| | 30 | 156 707 | ADVULQ-32-30-P-A | 156 793 | ADVULQ-32-30-A-P-A | | |
| | 40 | 156 708 | ADVULQ-32-40-P-A | 156 794 | ADVULQ-32-40-A-P-A | | |
| | 50 | 156 709 | ADVULQ-32-50-P-A | 156 795 | ADVULQ-32-50-A-P-A | | |
| | 60 | 156 710 | ADVULQ-32-60-P-A | 156 796 | ADVULQ-32-60-A-P-A | | |
| | 80 | 156 711 | ADVULQ-32-80-P-A | 156 797 | ADVULQ-32-80-A-P-A | | |

Compact cylinders ADVULQ





Technical data – Double-acting, non-rotating with square piston rod

FESTO

| Ordering data – Basic version | | | | | | | |
|---|------------------|----------------|-------------------------------|------------------|-----------------------------|--------------------|---------------------|
| Type | Piston Ø [mm] | Stroke [mm] | Piston rod with female thread | | Piston rod with male thread | | |
| | | | Part No. | Type | Part No. | Type | |
|  | 40 | 5 | 156 712 | ADVULQ-40-5-P-A | 156 798 | ADVULQ-40-5-A-P-A | |
| | | 10 | 156 713 | ADVULQ-40-10-P-A | 156 799 | ADVULQ-40-10-A-P-A | |
| | | 15 | 156 714 | ADVULQ-40-15-P-A | 156 800 | ADVULQ-40-15-A-P-A | |
| | | 20 | 156 715 | ADVULQ-40-20-P-A | 156 801 | ADVULQ-40-20-A-P-A | |
| | | 25 | 156 716 | ADVULQ-40-25-P-A | 156 802 | ADVULQ-40-25-A-P-A | |
| | | 30 | 156 717 | ADVULQ-40-30-P-A | 156 803 | ADVULQ-40-30-A-P-A | |
| | | 40 | 156 718 | ADVULQ-40-40-P-A | 156 804 | ADVULQ-40-40-A-P-A | |
| | | 50 | 156 719 | ADVULQ-40-50-P-A | 156 805 | ADVULQ-40-50-A-P-A | |
| | | 60 | 156 720 | ADVULQ-40-60-P-A | 156 806 | ADVULQ-40-60-A-P-A | |
| | 80 | 156 721 | ADVULQ-40-80-P-A | 156 807 | ADVULQ-40-80-A-P-A | | |
| | 50 | 50 | 10 | 156 722 | ADVULQ-50-10-P-A | 156 808 | ADVULQ-50-10-A-P-A |
| | | | 15 | 156 723 | ADVULQ-50-15-P-A | 156 809 | ADVULQ-50-15-A-P-A |
| | | | 20 | 156 724 | ADVULQ-50-20-P-A | 156 810 | ADVULQ-50-20-A-P-A |
| | | | 25 | 156 725 | ADVULQ-50-25-P-A | 156 811 | ADVULQ-50-25-A-P-A |
| | | | 30 | 156 726 | ADVULQ-50-30-P-A | 156 812 | ADVULQ-50-30-A-P-A |
| | | | 40 | 156 727 | ADVULQ-50-40-P-A | 156 813 | ADVULQ-50-40-A-P-A |
| | | | 50 | 156 728 | ADVULQ-50-50-P-A | 156 814 | ADVULQ-50-50-A-P-A |
| | | | 60 | 156 729 | ADVULQ-50-60-P-A | 156 815 | ADVULQ-50-60-A-P-A |
| | | | 80 | 156 730 | ADVULQ-50-80-P-A | 156 816 | ADVULQ-50-80-A-P-A |
| | 63 | 63 | 10 | 156 731 | ADVULQ-63-10-P-A | 156 817 | ADVULQ-63-10-A-P-A |
| | | | 15 | 156 732 | ADVULQ-63-15-P-A | 156 818 | ADVULQ-63-15-A-P-A |
| | | | 20 | 156 733 | ADVULQ-63-20-P-A | 156 819 | ADVULQ-63-20-A-P-A |
| | | | 25 | 156 734 | ADVULQ-63-25-P-A | 156 820 | ADVULQ-63-25-A-P-A |
| | | | 30 | 156 735 | ADVULQ-63-30-P-A | 156 821 | ADVULQ-63-30-A-P-A |
| | | | 40 | 156 736 | ADVULQ-63-40-P-A | 156 822 | ADVULQ-63-40-A-P-A |
| | | | 50 | 156 737 | ADVULQ-63-50-P-A | 156 823 | ADVULQ-63-50-A-P-A |
| | | | 60 | 156 738 | ADVULQ-63-60-P-A | 156 824 | ADVULQ-63-60-A-P-A |
| | | | 80 | 156 739 | ADVULQ-63-80-P-A | 156 825 | ADVULQ-63-80-A-P-A |
| | 80 | 80 | 10 | 156 740 | ADVULQ-80-10-P-A | 156 826 | ADVULQ-80-10-A-P-A |
| | | | 15 | 156 741 | ADVULQ-80-15-P-A | 156 827 | ADVULQ-80-15-A-P-A |
| | | | 20 | 156 742 | ADVULQ-80-20-P-A | 156 828 | ADVULQ-80-20-A-P-A |
| | | | 25 | 156 743 | ADVULQ-80-25-P-A | 156 829 | ADVULQ-80-25-A-P-A |
| | | | 30 | 156 744 | ADVULQ-80-30-P-A | 156 830 | ADVULQ-80-30-A-P-A |
| | | | 40 | 156 745 | ADVULQ-80-40-P-A | 156 831 | ADVULQ-80-40-A-P-A |
| | | | 50 | 156 746 | ADVULQ-80-50-P-A | 156 832 | ADVULQ-80-50-A-P-A |
| | | | 60 | 156 747 | ADVULQ-80-60-P-A | 156 833 | ADVULQ-80-60-A-P-A |
| | | | 80 | 156 748 | ADVULQ-80-80-P-A | 156 834 | ADVULQ-80-80-A-P-A |
| | 100 | 100 | 10 | 156 749 | ADVULQ-100-10-P-A | 156 835 | ADVULQ-100-10-A-P-A |
| | | | 15 | 156 750 | ADVULQ-100-15-P-A | 156 836 | ADVULQ-100-15-A-P-A |
| | | | 20 | 156 751 | ADVULQ-100-20-P-A | 156 837 | ADVULQ-100-20-A-P-A |
| | | | 25 | 156 752 | ADVULQ-100-25-P-A | 156 838 | ADVULQ-100-25-A-P-A |
| | | | 30 | 156 753 | ADVULQ-100-30-P-A | 156 839 | ADVULQ-100-30-A-P-A |
| | | | 40 | 156 754 | ADVULQ-100-40-P-A | 156 840 | ADVULQ-100-40-A-P-A |
| | | | 50 | 156 755 | ADVULQ-100-50-P-A | 156 841 | ADVULQ-100-50-A-P-A |
| | | | 60 | 156 756 | ADVULQ-100-60-P-A | 156 842 | ADVULQ-100-60-A-P-A |
| | | | 80 | 156 757 | ADVULQ-100-80-P-A | 156 843 | ADVULQ-100-80-A-P-A |



Compact cylinders ADVULQ

Technical data – Double-acting, non-rotating with square piston rod

| Ordering data – Variants | | | | | | |
|---|------------------|----------------|-------------------------------|-------------------------------|-----------------------------|---------------------------------|
| Type | Piston Ø [mm] | Stroke [mm] | Piston rod with female thread | | Piston rod with male thread | |
| | | | Part No. | Type | Part No. | Type |
| Variable stroke | | | | | | |
|  | 12 | 1 ... 200 | 156 100 | ADVULQ-12-...-P-A | 156 140 | ADVULQ-12-...-A-P-A |
| | 16 | 1 ... 200 | 156 101 | ADVULQ-16-...-P-A | 156 141 | ADVULQ-16-...-A-P-A |
| | 20 | 1 ... 200 | 156 102 | ADVULQ-20-...-P-A | 156 142 | ADVULQ-20-...-A-P-A |
| | 25 | 1 ... 200 | 156 103 | ADVULQ-25-...-P-A | 156 143 | ADVULQ-25-...-A-P-A |
| | 32 | 1 ... 300 | 156 104 | ADVULQ-32-...-P-A | 156 144 | ADVULQ-32-...-A-P-A |
| | 40 | 1 ... 300 | 156 105 | ADVULQ-40-...-P-A | 156 145 | ADVULQ-40-...-A-P-A |
| | 50 | 1 ... 300 | 156 106 | ADVULQ-50-...-P-A | 156 146 | ADVULQ-50-...-A-P-A |
| | 63 | 1 ... 300 | 156 107 | ADVULQ-63-...-P-A | 156 147 | ADVULQ-63-...-A-P-A |
| | 80 | 1 ... 400 | 156 108 | ADVULQ-80-...-P-A | 156 148 | ADVULQ-80-...-A-P-A |
| | 100 | 1 ... 400 | 156 109 | ADVULQ-100-...-P-A | 156 149 | ADVULQ-100-...-A-P-A |
| S2 – Through piston rod | | | | | | |
|  | 12 | 1 ... 200 | 156 110 | ADVULQ-12-...-P-A-S2 | 156 150 | ADVULQ-12-...-A-P-A-S2 |
| | 16 | 1 ... 200 | 156 111 | ADVULQ-16-...-P-A-S2 | 156 151 | ADVULQ-16-...-A-P-A-S2 |
| | 20 | 1 ... 200 | 156 112 | ADVULQ-20-...-P-A-S2 | 156 152 | ADVULQ-20-...-A-P-A-S2 |
| | 25 | 1 ... 200 | 156 113 | ADVULQ-25-...-P-A-S2 | 156 153 | ADVULQ-25-...-A-P-A-S2 |
| | 32 | 1 ... 300 | 156 114 | ADVULQ-32-...-P-A-S2 | 156 154 | ADVULQ-32-...-A-P-A-S2 |
| | 40 | 1 ... 300 | 156 115 | ADVULQ-40-...-P-A-S2 | 156 155 | ADVULQ-40-...-A-P-A-S2 |
| | 50 | 1 ... 300 | 156 116 | ADVULQ-50-...-P-A-S2 | 156 156 | ADVULQ-50-...-A-P-A-S2 |
| | 63 | 1 ... 300 | 156 117 | ADVULQ-63-...-P-A-S2 | 156 157 | ADVULQ-63-...-A-P-A-S2 |
| | 80 | 1 ... 400 | 156 118 | ADVULQ-80-...-P-A-S2 | 156 158 | ADVULQ-80-...-A-P-A-S2 |
| | 100 | 1 ... 400 | 156 119 | ADVULQ-100-...-P-A-S2 | 156 159 | ADVULQ-100-...-A-P-A-S2 |
| S6 – Heat resistant up to 120 °C | | | | | | |
|  | 12 | 1 ... 200 | 156 130 | ADVULQ-12-...-P-A-S6 | 156 190 | ADVULQ-12-...-A-P-A-S6 |
| | 16 | 1 ... 200 | 156 131 | ADVULQ-16-...-P-A-S6 | 156 191 | ADVULQ-16-...-A-P-A-S6 |
| | 20 | 1 ... 200 | 156 132 | ADVULQ-20-...-P-A-S6 | 156 192 | ADVULQ-20-...-A-P-A-S6 |
| | 25 | 1 ... 200 | 156 133 | ADVULQ-25-...-P-A-S6 | 156 193 | ADVULQ-25-...-A-P-A-S6 |
| | 32 | 1 ... 300 | 156 134 | ADVULQ-32-...-P-A-S6 | 156 194 | ADVULQ-32-...-A-P-A-S6 |
| | 40 | 1 ... 300 | 156 135 | ADVULQ-40-...-P-A-S6 | 156 195 | ADVULQ-40-...-A-P-A-S6 |
| | 50 | 1 ... 300 | 156 136 | ADVULQ-50-...-P-A-S6 | 156 196 | ADVULQ-50-...-A-P-A-S6 |
| | 63 | 1 ... 300 | 156 137 | ADVULQ-63-...-P-A-S6 | 156 197 | ADVULQ-63-...-A-P-A-S6 |
| | 80 | 1 ... 400 | 156 138 | ADVULQ-80-...-P-A-S6 | 156 198 | ADVULQ-80-...-A-P-A-S6 |
| | 100 | 1 ... 400 | 156 139 | ADVULQ-100-...-P-A-S6 | 156 199 | ADVULQ-100-...-A-P-A-S6 |
| S26 – Through piston rod, heat resistant up to 120 °C | | | | | | |
|  | 12 | 1 ... 200 | 156 120 | ADVULQ-12-...-P-A-S26 | 156 180 | ADVULQ-12-...-A-P-A-S26 |
| | 16 | 1 ... 200 | 156 121 | ADVULQ-16-...-P-A-S26 | 156 181 | ADVULQ-16-...-A-P-A-S26 |
| | 20 | 1 ... 200 | 156 122 | ADVULQ-20-...-P-A-S26 | 156 182 | ADVULQ-20-...-A-P-A-S26 |
| | 25 | 1 ... 200 | 156 123 | ADVULQ-25-...-P-A-S26 | 156 183 | ADVULQ-25-...-A-P-A-S26 |
| | 32 | 1 ... 300 | 156 124 | ADVULQ-32-...-P-A-S26 | 156 184 | ADVULQ-32-...-A-P-A-S26 |
| | 40 | 1 ... 300 | 156 125 | ADVULQ-40-...-P-A-S26 | 156 185 | ADVULQ-40-...-A-P-A-S26 |
| | 50 | 1 ... 300 | 156 126 | ADVULQ-50-...-P-A-S26 | 156 186 | ADVULQ-50-...-A-P-A-S26 |
| | 63 | 1 ... 300 | 156 127 | ADVULQ-63-...-P-A-S26 | 156 187 | ADVULQ-63-...-A-P-A-S26 |
| | 80 | 1 ... 400 | 156 128 | ADVULQ-80-...-P-A-S26 | 156 188 | ADVULQ-80-...-A-P-A-S26 |
| | 100 | 1 ... 400 | 156 129 | ADVULQ-100-...-P-A-S26 | 156 189 | ADVULQ-100-...-A-P-A-S26 |

Compact cylinders ADVULQ

Technical data – Double-acting, non-rotating with square piston rod

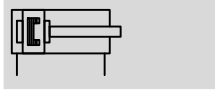
| Ordering data – Variants | | | | | | |
|---|--|----------------|-------------------------------|------|-----------------------------|---------------------------|
| Type | Piston Ø [mm] | Stroke [mm] | Piston rod with female thread | | Piston rod with male thread | |
| | | | Part No. | Type | Part No. | Type |
| S20 – Through, hollow piston rod | | | | | | |
|  | 16 | 1 ... 200 | - | | 156 161 | ADVULQ-16-...-A-P-A-S20 |
| | 20 | 1 ... 200 | | | 156 162 | ADVULQ-20-...-A-P-A-S20 |
| | 25 | 1 ... 200 | | | 156 163 | ADVULQ-25-...-A-P-A-S20 |
| | 32 | 1 ... 300 | | | 156 164 | ADVULQ-32-...-A-P-A-S20 |
| | 40 | 1 ... 300 | | | 156 165 | ADVULQ-40-...-A-P-A-S20 |
| | 50 | 1 ... 300 | | | 156 166 | ADVULQ-50-...-A-P-A-S20 |
| | 63 | 1 ... 300 | | | 156 167 | ADVULQ-63-...-A-P-A-S20 |
| | 80 | 1 ... 400 | | | 156 168 | ADVULQ-80-...-A-P-A-S20 |
| | 100 | 1 ... 400 | | | 156 169 | ADVULQ-100-...-A-P-A-S20 |
| | S206 – Through, hollow piston rod, heat resistant up to 120 °C | | | | | |
|  | 16 | 1 ... 200 | - | | 156 171 | ADVULQ-16-...-A-P-A-S206 |
| | 20 | 1 ... 200 | | | 156 172 | ADVULQ-20-...-A-P-A-S206 |
| | 25 | 1 ... 200 | | | 156 173 | ADVULQ-25-...-A-P-A-S206 |
| | 32 | 1 ... 300 | | | 156 174 | ADVULQ-32-...-A-P-A-S206 |
| | 40 | 1 ... 300 | | | 156 175 | ADVULQ-40-...-A-P-A-S206 |
| | 50 | 1 ... 300 | | | 156 176 | ADVULQ-50-...-A-P-A-S206 |
| | 63 | 1 ... 300 | | | 156 177 | ADVULQ-63-...-A-P-A-S206 |
| | 80 | 1 ... 400 | | | 156 178 | ADVULQ-80-...-A-P-A-S206 |
| | 100 | 1 ... 400 | | | 156 179 | ADVULQ-100-...-A-P-A-S206 |

Compact cylinders ADVU-...-S1

Technical data – Double-acting, reinforced piston rod

FESTO

Function



- Ø - Diameter
25, 40, 63, 100 mm

- | - Stroke length
1 ... 2000 mm

-  - www.festo.com



ADVU-...-P-A-S1

| General technical data | | | | |
|---------------------------------|--|----|-----------------|-----------------|
| Piston Ø | 25 | 40 | 63 | 100 |
| Pneumatic connection | M5 | M5 | G $\frac{1}{8}$ | G $\frac{1}{4}$ |
| End of piston rod Female thread | M5 | M8 | M10 | M12 |
| Operating medium | Compressed air in accordance with ISO 8573-1:2010 [7:4:4] | | | |
| Note on operating/pilot medium | Operation with lubricated medium possible (in which case lubricated operation will always be required) | | | |
| Constructional design | Piston Piston rod | | | |
| Cushioning | Flexible cushioning rings/plates at both ends | | | |
| Position sensing | For proximity sensing | | | |
| Type of mounting | Via through-holes Via female thread Via accessories | | | |
| Mounting position | Any | | | |

- | - Note: This product conforms to ISO 1179-1 and to ISO 228-1

| Operating conditions | | | | |
|--|--|------------|------------|------------|
| Piston Ø | 25 | 40 | 63 | 100 |
| Operating pressure [bar] | 0.8 ... 10 | 0.8 ... 10 | 0.6 ... 10 | 0.6 ... 10 |
| Ambient temperature [°C] | -20 ... +80 (observe operating range of proximity sensors) | | | |
| Corrosion resistance class CRC ¹⁾ | 2 | | | |

1) Corrosion resistance class 2 according to Festo standard 940 070

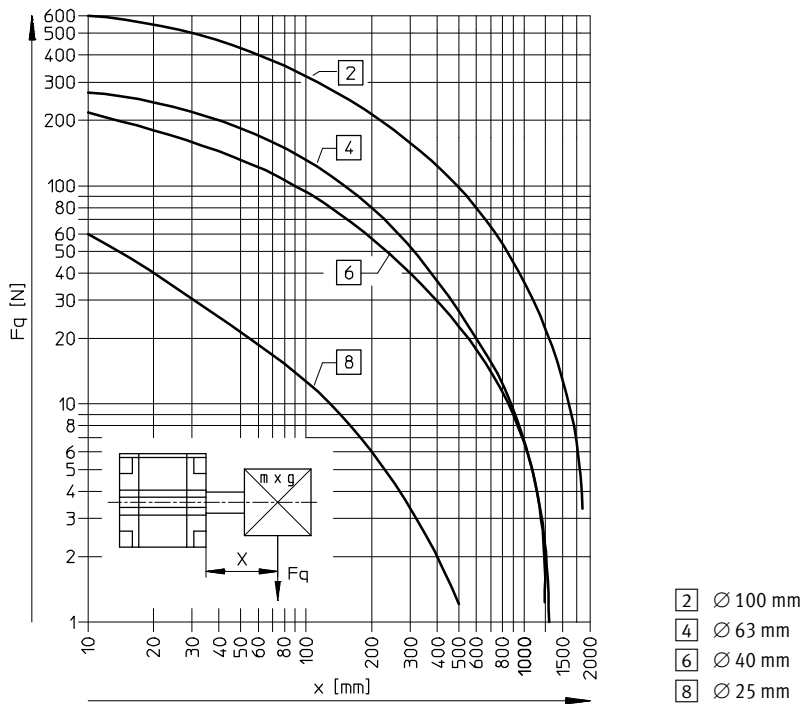
Components requiring moderate corrosion resistance. Externally visible parts with primarily decorative surface requirements which are in direct contact with a surrounding industrial atmosphere or media such as cooling or lubricating agents

| Forces [N] and impact energy [J] | | | | |
|--|------|------|------|------|
| Piston Ø | 25 | 40 | 63 | 100 |
| Theoretical force at 6 bar, advancing | 295 | 754 | 1870 | 4712 |
| Theoretical force at 6 bar, retracting | 247 | 633 | 1682 | 4418 |
| Max. impact energy at end positions | 0.30 | 0.52 | 0.70 | 1.00 |

Compact cylinders ADVU-...-S1

Technical data – Double-acting, reinforced piston rod

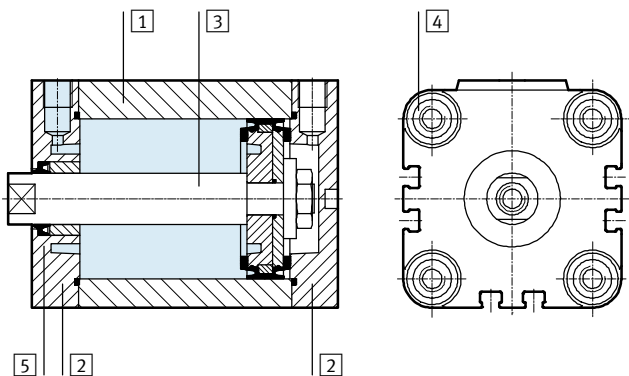
Max. lateral force F_q as a function of the projection x



| Weights [g] | | | | |
|------------------------------------|-----|-----|-----|------|
| Piston Ø | 25 | 40 | 63 | 100 |
| Product weight with 0 mm stroke | 250 | 550 | 800 | 3500 |
| Additional weight per 10 mm stroke | 36 | 74 | 140 | 200 |
| Moving load with 0 mm stroke | 26 | 63 | 134 | 614 |
| Additional load per 10 mm stroke | 6 | 16 | 25 | 38 |

Materials

Sectional view



| Compact cylinder | | |
|------------------|-----------------|----------------------------|
| 1 | Cylinder barrel | Wrought aluminium alloy |
| 2 | End cap | Wrought aluminium alloy |
| 3 | Piston rod | High-alloy stainless steel |
| | Ø 25 | High-alloy steel |
| | Ø 40, 63, 100 | |
| 4 | Flange screws | Galvanised steel |
| 5 | Dynamic seals | Polyurethane |

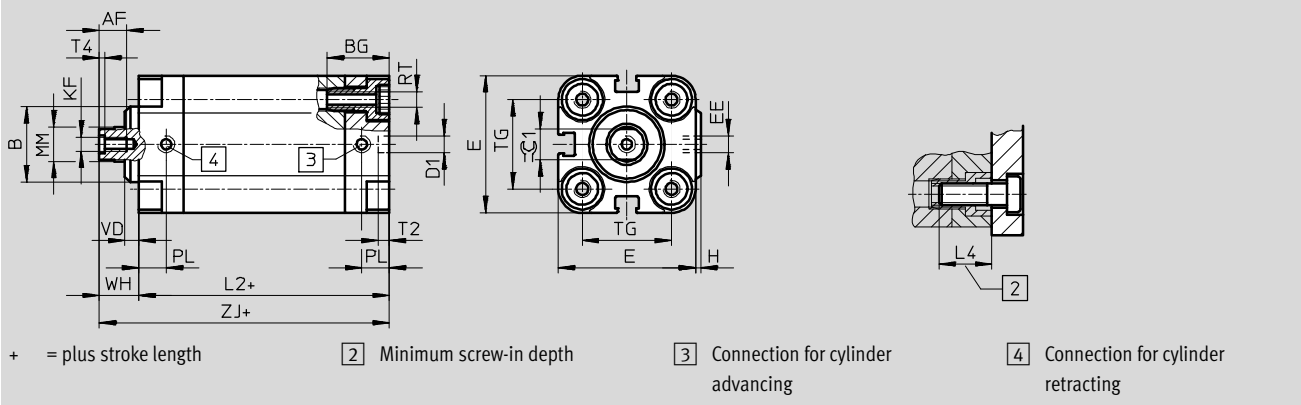
Compact cylinders ADVU-...-S1

Technical data – Double-acting, reinforced piston rod

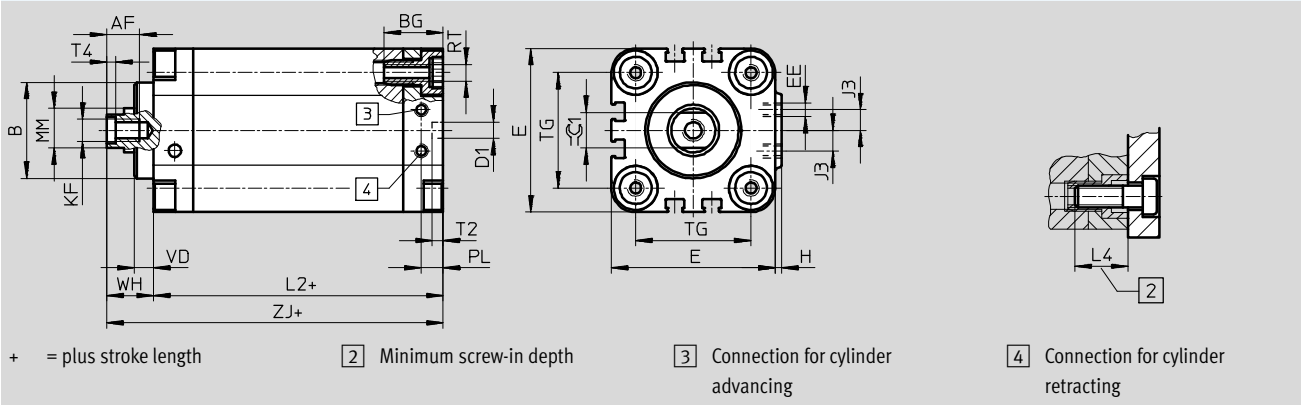
Dimensions – Basic cylinder

Download CAD data → www.festo.com

Piston Ø 25 mm



Piston Ø 40, 63, 100 mm



| Ø | AF | B Ø | BG | D1 Ø H9 | E | EE | H | J3 | KF | L2 | L4 |
|------|----|--------|------|---------------|-----|-----------------|-----|------|-----|------|----|
| [mm] | | | | | | | | | | | |
| 25 | 10 | 22 | 18.5 | 6 | 40 | M5 | 1.5 | – | M5 | 45.5 | 18 |
| 40 | 12 | 35 | 21.5 | 6 | 60 | M5 | 2.5 | 7.5 | M8 | 52.5 | 20 |
| 63 | 16 | 42 | 24.5 | 8 | 87 | G $\frac{3}{8}$ | 4 | 10.5 | M10 | 58 | 25 |
| 100 | 20 | 55 | 32.5 | 8 | 128 | G $\frac{1}{4}$ | 5 | 14.5 | M12 | 77.5 | 25 |

| Ø | MM Ø | PL | RT | T2 | T4 | TG | VD | WH | ZJ | ≈C1 |
|------|---------|------|-----|------|-----|-----|------|------|-------|-----|
| [mm] | | | | -0.2 | | | | | | h13 |
| 25 | 10 | 8 | M5 | 4 | 2 | 26 | 4 | 11.5 | 57 | 9 |
| 40 | 16 | 8 | M6 | 4 | 3.3 | 42 | 7 | 16.5 | 69 | 13 |
| 63 | 20 | 8 | M10 | 4 | 4.7 | 62 | 11.5 | 21.5 | 79.5 | 17 |
| 100 | 25 | 10.5 | M10 | 4 | 6.1 | 103 | 15 | 27 | 104.5 | 22 |

– Note: This product conforms to ISO 1179-1 and to ISO 228-1

Ordering data

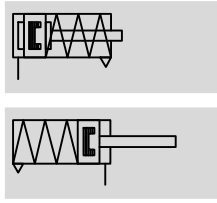
| Type | Piston Ø [mm] | Stroke [mm] | Part No. | Type |
|------|------------------|----------------|----------|---------------------|
| | 25 | 1 ... 500 | 161 155 | ADVU-25-...-P-A-S1 |
| | 40 | 1 ... 2000 | 161 156 | ADVU-40-...-P-A-S1 |
| | 63 | 1 ... 2000 | 161 157 | ADVU-63-...-P-A-S1 |
| | 100 | 1 ... 2000 | 161 158 | ADVU-100-...-P-A-S1 |

Compact cylinders AEU/AEUVZ

Technical data – Single-acting, basic version



Function



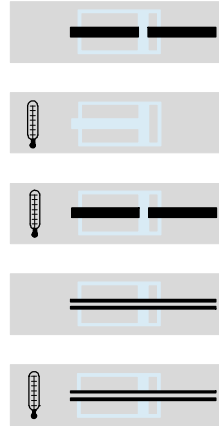
⌀ - Diameter
12 ... 100

- | - Stroke length
1 ... 25

www.festo.com

Wearing parts kits
→ 45

Variants



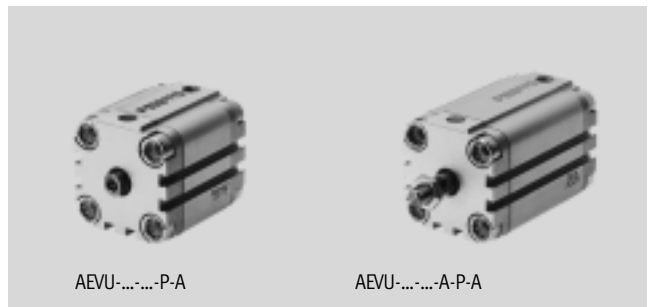
S2

S6

S26

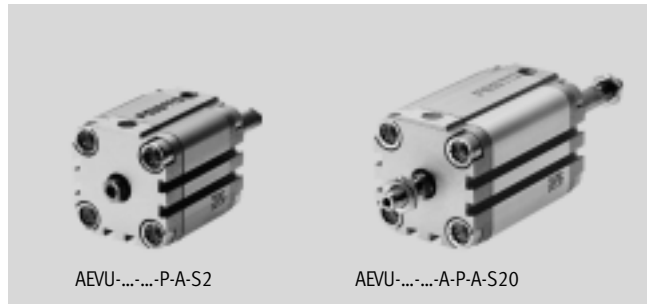
S20

S206



AEU-...-P-A

AEU-...-A-P-A



AEU-...-P-A-S2

AEU-...-A-P-A-S20

| General technical data | | | | | | | | | | | |
|--------------------------------|--|----|----|----------|------|------|----------|------|---------|---------|-----|
| Piston Ø | 12 | 16 | 20 | 25 | 32 | 40 | 50 | 63 | 80 | 100 | |
| Pneumatic connection | M5 | M5 | M5 | M5 | G1/8 | G1/8 | G1/8 | G1/8 | G1/8 | G1/4 | |
| End of piston rod | Female thread | M3 | M4 | M5 | M5 | M6 | M6 | M8 | M8 | M10 | M12 |
| | Male thread | M6 | M8 | M10x1.25 | | | M12x1.25 | | M16x1.5 | M20x1.5 | |
| Operating medium | Compressed air in accordance with ISO 8573-1:2010 [7:4:4] | | | | | | | | | | |
| Note on operating/pilot medium | Operation with lubricated medium possible (in which case lubricated operation will always be required) | | | | | | | | | | |
| Constructional design | Piston | | | | | | | | | | |
| | Piston rod | | | | | | | | | | |
| Cushioning | Flexible cushioning rings/plates at both ends | | | | | | | | | | |
| Position sensing | For proximity sensing | | | | | | | | | | |
| Type of mounting | Via through-holes | | | | | | | | | | |
| | Via female thread | | | | | | | | | | |
| | Via accessories | | | | | | | | | | |
| Mounting position | Any | | | | | | | | | | |

⚡ - Note: This product conforms to ISO 1179-1 and to ISO 228-1

| Operating pressure [bar] | | | | | | | | | | |
|---------------------------|------------|------------|------------|------------|----|----|------------|----|----|-----|
| Piston Ø | 12 | 16 | 20 | 25 | 32 | 40 | 50 | 63 | 80 | 100 |
| Pushing variant AEU | | | | | | | | | | |
| Piston rod at one end | 1.5 ... 10 | 1.3 ... 10 | 1.0 ... 10 | 0.8 ... 10 | | | 0.6 ... 10 | | | |
| Through piston rod S2/S20 | 1.7 ... 10 | 1.5 ... 10 | 1.4 ... 10 | 1.2 ... 10 | | | 1.0 ... 10 | | | |
| Pulling variant AEUZ | | | | | | | | | | |
| Piston rod at one end | 1.5 ... 10 | 1.3 ... 10 | 1.0 ... 10 | 0.8 ... 10 | | | | | | |

Compact cylinders AEU/AEUVZ

Technical data – Single-acting, basic version

| Ambient conditions | | |
|--|---------------|------------|
| Compact cylinder | Basic version | S6 |
| Ambient temperature ¹⁾ [°C] | -20 ... +80 | 0 ... +120 |
| Corrosion resistance class CRC ²⁾ | 2 | 2 |

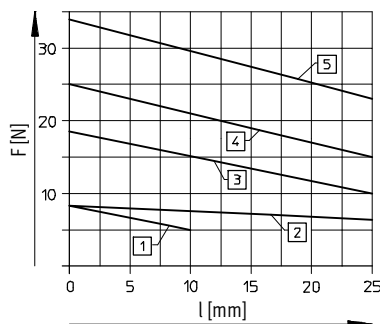
1) Note operating range of proximity sensors

2) Corrosion resistance class 2 according to Festo standard 940 070

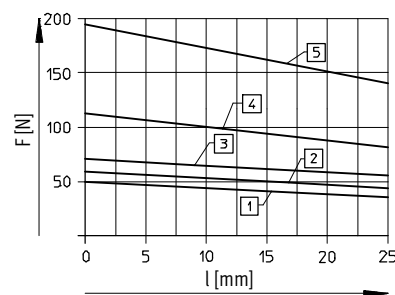
Components requiring moderate corrosion resistance. Externally visible parts with primarily decorative surface requirements which are in direct contact with a surrounding industrial atmosphere or media such as cooling or lubricating agents

| Forces [N] | | | | | | | | | | | |
|---------------------------------------|----|-----|-----|-----|-----|-----|------|------|------|------|--|
| Piston Ø | 12 | 16 | 20 | 25 | 32 | 40 | 50 | 63 | 80 | 100 | |
| Pushing variant AEU | | | | | | | | | | | |
| Theoretical force at 6 bar, advancing | 59 | 111 | 171 | 269 | 450 | 704 | 1121 | 1799 | 2902 | 4516 | |
| S2/S20 | 42 | 81 | 123 | 221 | 382 | 636 | 999 | 1679 | 2733 | 4222 | |
| Pulling variant AEUZ | | | | | | | | | | | |
| Theoretical force at 6 bar, advancing | 42 | 81 | 123 | 221 | 382 | 636 | 999 | 1679 | 2733 | 4222 | |

Spring return force F as a function of the stroke l



- 1) AEU/AEUVZ-12
- 2) AEU/AEUVZ-16
- 3) AEU/AEUVZ-20
- 4) AEU/AEUVZ-25
- 5) AEU/AEUVZ-32



- 1) AEU/AEUVZ-40
- 2) AEU/AEUVZ-50
- 3) AEU/AEUVZ-63
- 4) AEU/AEUVZ-80
- 5) AEU/AEUVZ-100

| Weights [g] | | | | | | | | | | | |
|------------------------------------|----|----|-----|-----|-----|-----|-----|------|------|------|--|
| Piston Ø | 12 | 16 | 20 | 25 | 32 | 40 | 50 | 63 | 80 | 100 | |
| Product weight with 0 mm stroke | 87 | 89 | 149 | 180 | 300 | 433 | 560 | 1059 | 1772 | 2797 | |
| Additional weight per 10 mm stroke | 15 | 15 | 23 | 28 | 40 | 59 | 72 | 107 | 168 | 177 | |
| Moving load with 0 mm stroke | | | | | | | | | | | |
| Additional load per 10 mm stroke | 8 | 12 | 20 | 26 | 49 | 63 | 112 | 134 | 307 | 614 | |
| Additional load per 10 mm stroke | 2 | 4 | 6 | 6 | 9 | 9 | 16 | 16 | 25 | 38 | |

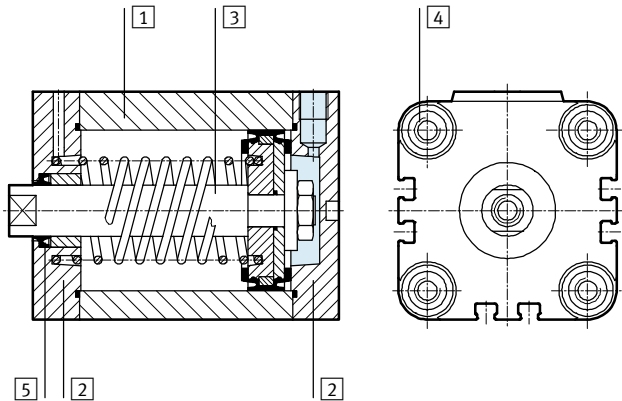
Compact cylinders AEVU/AEVUZ

Technical data – Single-acting, basic version



Materials

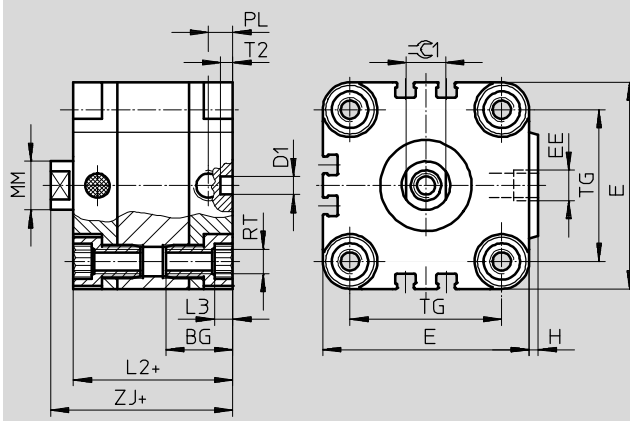
Sectional view



| Compact cylinder | Basic version | S6 |
|-------------------|-------------------------|----------------------------|
| 1 Cylinder barrel | Wrought aluminium alloy | Wrought aluminium alloy |
| 2 End cap | Wrought aluminium alloy | Wrought aluminium alloy |
| 3 Piston rod | ∅ 12 ... 32 | High-alloy stainless steel |
| | ∅ 40 ... 100 | High-alloy steel |
| 4 Flange screws | ∅ 12 ... 16 | High-alloy stainless steel |
| | ∅ 20 ... 100 | Galvanised steel |
| 5 Dynamic seals | Polyurethane | Fluorocarbon rubber |

Dimensions – Basic cylinder

Download CAD data → www.festo.com



- - Note
 To attach cylinder ∅ 12 and 16 mm from above, use only 2 screws diagonally or non-magnetic screws.
 + = plus stroke length
 2 Minimum screw-in depth

| ∅ | BG | D1 ∅ H9 | E | EE | H | L2 | L3 | L4 | MM ∅ | PL | RT | T2 | TG | ZJ | ≈C1 h13 |
|-----|------|---------------|-----|-----------------|-----|------|----|----|---------|------|-----|----|-----|------|------------|
| 12 | 18.5 | 6 | 29 | M5 | 1 | 38 | 3 | 16 | 6 | 8 | M4 | 4 | 18 | 42.5 | 5 |
| 16 | 18.5 | 6 | 29 | M5 | 1 | 38 | 3 | 16 | 8 | 8 | M4 | 4 | 18 | 42.5 | 7 |
| 20 | 18.5 | 6 | 36 | M5 | 1.5 | 38 | 4 | 18 | 10 | 8 | M5 | 4 | 22 | 42.5 | 9 |
| 25 | 18.5 | 6 | 40 | M5 | 1.5 | 39.5 | 4 | 18 | 10 | 8 | M5 | 4 | 26 | 45 | 9 |
| 32 | 21.5 | 6 | 50 | G $\frac{3}{8}$ | 2 | 44.5 | 5 | 20 | 12 | 8 | M6 | 4 | 32 | 50.5 | 10 |
| 40 | 21.5 | 6 | 60 | G $\frac{3}{8}$ | 2.5 | 45.5 | 5 | 20 | 12 | 8 | M6 | 4 | 42 | 52 | 10 |
| 50 | 22 | 6 | 68 | G $\frac{3}{8}$ | 3 | 45.5 | 6 | 20 | 16 | 8 | M8 | 4 | 50 | 53 | 13 |
| 63 | 24.5 | 8 | 87 | G $\frac{3}{8}$ | 4 | 50 | 8 | 25 | 16 | 8 | M10 | 4 | 62 | 57.5 | 13 |
| 80 | 27.5 | 8 | 107 | G $\frac{3}{8}$ | 4 | 56 | 8 | 25 | 20 | 8.5 | M10 | 4 | 82 | 64 | 17 |
| 100 | 32.5 | 8 | 128 | G $\frac{1}{4}$ | 5 | 66.5 | 8 | 25 | 25 | 10.5 | M10 | 4 | 103 | 76.5 | 22 |

- - Note: This product conforms to ISO 1179-1 and to ISO 228-1

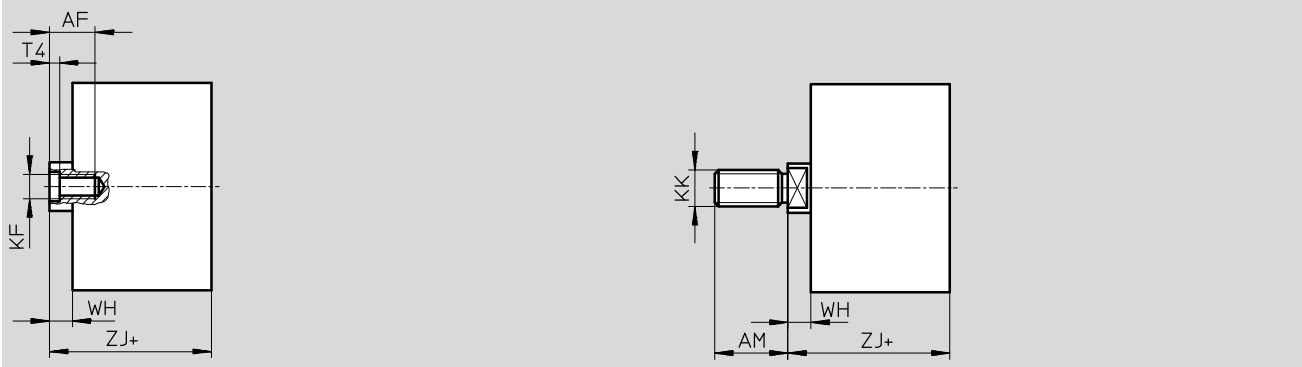
Compact cylinders AEVU/AEVUZ

Technical data – Single-acting, basic version

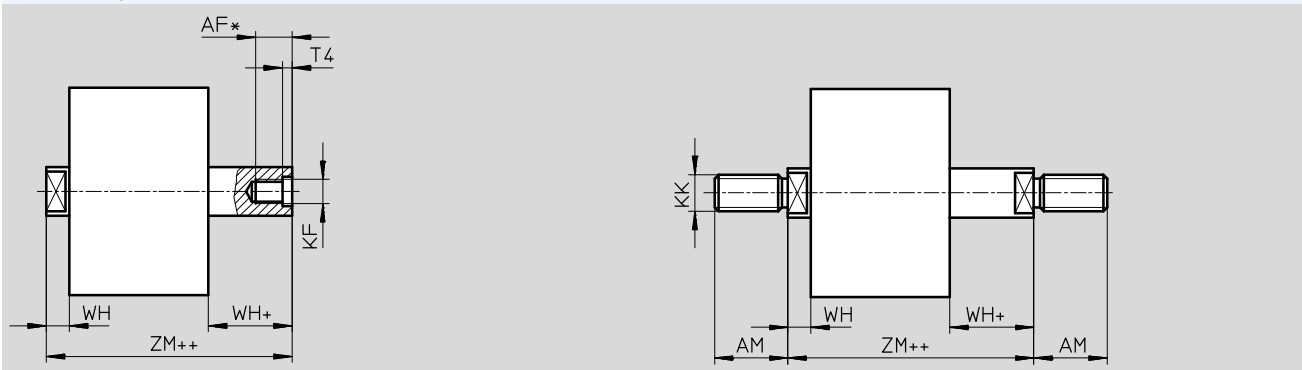
Dimensions – Pushing variants, AEVU

Download CAD data → www.festo.com

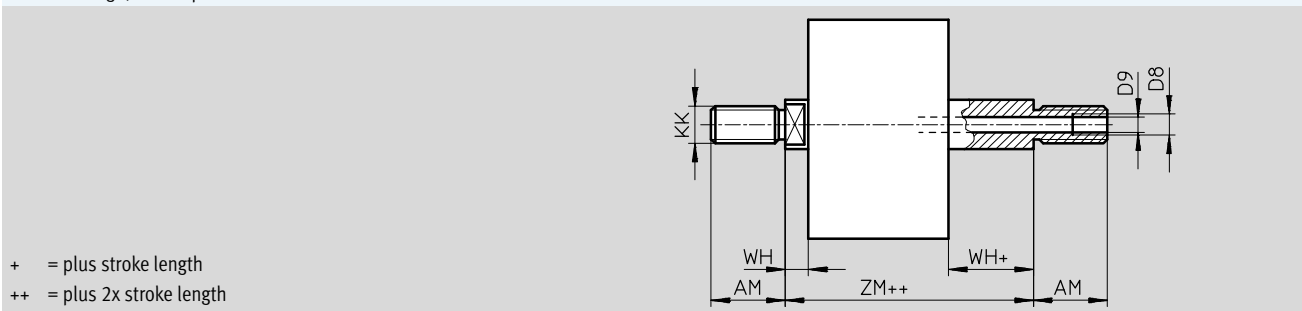
Basic version



S2 – Through piston rod



S20 – Through, hollow piston rod



+ = plus stroke length
++ = plus 2x stroke length

| ∅ [mm] | AF | AM | D8 | D9 ∅ | KF | KK | T4 | WH | ZJ | ZM |
|-------------------|------------------|----|-------------------------------|---------|-----|----------|-----|-----|------|------|
| 12 | 8 | 16 | – | 2.3 | M3 | M6 | 1.5 | 4.5 | 42.5 | 47 |
| 16 | 10 | 20 | – | 3.2 | M4 | M8 | 1.5 | 4.5 | 42.5 | 47 |
| 20 ²⁾ | 12 | 22 | – | 3.8 | M5 | M10x1.25 | 2 | 4.5 | 42.5 | 47 |
| 25 ²⁾ | 12 | 22 | – | 3.8 | M5 | M10x1.25 | 2 | 5.5 | 45 | 50.5 |
| 32 ²⁾ | 14 | 22 | – | 4.5 | M6 | M10x1.25 | 2.6 | 6 | 50.5 | 56.5 |
| 40 ²⁾ | 14 | 22 | – | 4.5 | M6 | M10x1.25 | 2.6 | 6.5 | 52 | 58.5 |
| 50 ²⁾ | 16 | 24 | – | 6 | M8 | M12x1.25 | 3.3 | 7.5 | 53 | 60.5 |
| 63 ²⁾ | 16 | 24 | – | 6 | M8 | M12x1.25 | 3.3 | 7.5 | 57.5 | 65 |
| 80 ²⁾ | 20 ¹⁾ | 32 | G ³ / ₈ | 8 | M10 | M16x1.5 | 4.7 | 8 | 64 | 72 |
| 100 ²⁾ | 24 ¹⁾ | 40 | G ³ / ₄ | 11.7 | M12 | M20x1.5 | 6.1 | 10 | 76.5 | 86.5 |

1) With a stroke < 5 mm, the maximum screw-in depth is reduced by 5 mm
2) Nut for piston rod thread included in scope of delivery

Compact cylinders AEVU/AEVUZ

Technical data – Single-acting, basic version

Dimensions – Pulling variants, AEVUZ

Download CAD data → www.festo.com



+ = plus stroke length
 ++ = plus 2x stroke length


| ∅ [mm] | AF | AM | KF | KK | T4 | WH | ZJ |
|-------------------|----|----|-----|----------|-----|-----|------|
| 12 | 8 | 16 | M3 | M6 | 1.5 | 4.5 | 42.5 |
| 16 | 10 | 20 | M4 | M8 | 1.5 | 4.5 | 42.5 |
| 20 ¹⁾ | 12 | 22 | M5 | M10x1.25 | 2 | 4.5 | 42.5 |
| 25 ¹⁾ | 12 | 22 | M5 | M10x1.25 | 2 | 5.5 | 45 |
| 32 ¹⁾ | 14 | 22 | M6 | M10x1.25 | 2.6 | 6 | 50.5 |
| 40 ¹⁾ | 14 | 22 | M6 | M10x1.25 | 2.6 | 6.5 | 52 |
| 50 ¹⁾ | 16 | 24 | M8 | M12x1.25 | 3.3 | 7.5 | 53 |
| 63 ¹⁾ | 16 | 24 | M8 | M12x1.25 | 3.3 | 7.5 | 57.5 |
| 80 ¹⁾ | 20 | 32 | M10 | M16x1.5 | 4.7 | 8 | 64 |
| 100 ¹⁾ | 24 | 40 | M12 | M20x1.5 | 6.1 | 10 | 76.5 |

1) Nut for piston rod thread included in scope of delivery

Compact cylinders AEVU/AEVUZ

Technical data – Single-acting, basic version





FESTO

| Ordering data – Pushing variants, basic version, AEVU | | | | | | |
|---|------------------|----------------|-------------------------------|----------------|-----------------------------|------------------|
| Type | Piston Ø [mm] | Stroke [mm] | Piston rod with female thread | | Piston rod with male thread | |
| | | | Part No. | Type | Part No. | Type |
|  | 12 | 5 | 156 930 | AEVU-12-5-P-A | 156 976 | AEVU-12-5-A-P-A |
| | | 10 | 156 931 | AEVU-12-10-P-A | 156 977 | AEVU-12-10-A-P-A |
| | 16 | 5 | 156 935 | AEVU-16-5-P-A | 156 981 | AEVU-16-5-A-P-A |
| | | 10 | 156 936 | AEVU-16-10-P-A | 156 982 | AEVU-16-10-A-P-A |
| | | 15 | 156 937 | AEVU-16-15-P-A | 156 983 | AEVU-16-15-A-P-A |
| | | 20 | 156 938 | AEVU-16-20-P-A | 156 984 | AEVU-16-20-A-P-A |
| | | 25 | 156 939 | AEVU-16-25-P-A | 156 985 | AEVU-16-25-A-P-A |
| | 20 | 5 | 156 940 | AEVU-20-5-P-A | 156 986 | AEVU-20-5-A-P-A |
| | | 10 | 156 941 | AEVU-20-10-P-A | 156 987 | AEVU-20-10-A-P-A |
| | | 15 | 156 942 | AEVU-20-15-P-A | 156 988 | AEVU-20-15-A-P-A |
| | | 20 | 156 943 | AEVU-20-20-P-A | 156 989 | AEVU-20-20-A-P-A |
| | | 25 | 156 944 | AEVU-20-25-P-A | 156 990 | AEVU-20-25-A-P-A |
| | 25 | 5 | 156 945 | AEVU-25-5-P-A | 156 991 | AEVU-25-5-A-P-A |
| | | 10 | 156 946 | AEVU-25-10-P-A | 156 992 | AEVU-25-10-A-P-A |
| | | 15 | 156 947 | AEVU-25-15-P-A | 156 993 | AEVU-25-15-A-P-A |
| | | 20 | 156 948 | AEVU-25-20-P-A | 156 994 | AEVU-25-20-A-P-A |
| | | 25 | 156 949 | AEVU-25-25-P-A | 156 995 | AEVU-25-25-A-P-A |
| | 32 | 5 | 156 950 | AEVU-32-5-P-A | 156 996 | AEVU-32-5-A-P-A |
| | | 10 | 156 951 | AEVU-32-10-P-A | 156 997 | AEVU-32-10-A-P-A |
| | | 15 | 156 952 | AEVU-32-15-P-A | 156 998 | AEVU-32-15-A-P-A |
| 20 | | 156 953 | AEVU-32-20-P-A | 156 999 | AEVU-32-20-A-P-A | |
| 25 | | 156 954 | AEVU-32-25-P-A | 157 000 | AEVU-32-25-A-P-A | |
| 40 | 5 | 156 955 | AEVU-40-5-P-A | 157 001 | AEVU-40-5-A-P-A | |
| | 10 | 156 956 | AEVU-40-10-P-A | 157 002 | AEVU-40-10-A-P-A | |
| | 15 | 156 957 | AEVU-40-15-P-A | 157 003 | AEVU-40-15-A-P-A | |
| | 20 | 156 958 | AEVU-40-20-P-A | 157 004 | AEVU-40-20-A-P-A | |
| | 25 | 156 959 | AEVU-40-25-P-A | 157 005 | AEVU-40-25-A-P-A | |
| 50 | 10 | 156 960 | AEVU-50-10-P-A | 157 006 | AEVU-50-10-A-P-A | |
| | 15 | 156 961 | AEVU-50-15-P-A | 157 007 | AEVU-50-15-A-P-A | |
| | 20 | 156 962 | AEVU-50-20-P-A | 157 008 | AEVU-50-20-A-P-A | |
| | 25 | 156 963 | AEVU-50-25-P-A | 157 009 | AEVU-50-25-A-P-A | |
| 63 | 10 | 156 964 | AEVU-63-10-P-A | 157 010 | AEVU-63-10-A-P-A | |
| | 15 | 156 965 | AEVU-63-15-P-A | 157 011 | AEVU-63-15-A-P-A | |
| | 20 | 156 966 | AEVU-63-20-P-A | 157 012 | AEVU-63-20-A-P-A | |
| | 25 | 156 967 | AEVU-63-25-P-A | 157 013 | AEVU-63-25-A-P-A | |
| 80 | 10 | 156 968 | AEVU-80-10-P-A | 157 014 | AEVU-80-10-A-P-A | |
| | 15 | 156 969 | AEVU-80-15-P-A | 157 015 | AEVU-80-15-A-P-A | |
| | 20 | 156 970 | AEVU-80-20-P-A | 157 016 | AEVU-80-20-A-P-A | |
| | 25 | 156 971 | AEVU-80-25-P-A | 157 017 | AEVU-80-25-A-P-A | |
| 100 | 10 | 156 972 | AEVU-100-10-P-A | 157 018 | AEVU-100-10-A-P-A | |
| | 15 | 156 973 | AEVU-100-15-P-A | 157 019 | AEVU-100-15-A-P-A | |
| | 20 | 156 974 | AEVU-100-20-P-A | 157 020 | AEVU-100-20-A-P-A | |
| | 25 | 156 975 | AEVU-100-25-P-A | 157 021 | AEVU-100-25-A-P-A | |

Compact cylinders AEU/AEUZ

Technical data – Single-acting, basic version



FESTO


| Ordering data – Pushing variants, AEU | | | | | | |
|---|------------------|----------------|-------------------------------|----------------------|-----------------------------|------------------------|
| Type | Piston Ø [mm] | Stroke [mm] | Piston rod with female thread | | Piston rod with male thread | |
| | | | Part No. | Type | Part No. | Type |
| Variable stroke | | | | | | |
|  | 12 | 1 ... 10 | 156 220 | AEVU-12-...-P-A | 156 260 | AEVU-12-...-A-P-A |
| | 16 | 1 ... 25 | 156 221 | AEVU-16-...-P-A | 156 261 | AEVU-16-...-A-P-A |
| | 20 | 1 ... 25 | 156 222 | AEVU-20-...-P-A | 156 262 | AEVU-20-...-A-P-A |
| | 25 | 1 ... 25 | 156 223 | AEVU-25-...-P-A | 156 263 | AEVU-25-...-A-P-A |
| | 32 | 1 ... 25 | 156 224 | AEVU-32-...-P-A | 156 264 | AEVU-32-...-A-P-A |
| | 40 | 1 ... 25 | 156 225 | AEVU-40-...-P-A | 156 265 | AEVU-40-...-A-P-A |
| | 50 | 1 ... 25 | 156 226 | AEVU-50-...-P-A | 156 266 | AEVU-50-...-A-P-A |
| | 63 | 1 ... 25 | 156 227 | AEVU-63-...-P-A | 156 267 | AEVU-63-...-A-P-A |
| | 80 | 1 ... 25 | 156 228 | AEVU-80-...-P-A | 156 268 | AEVU-80-...-A-P-A |
| | 100 | 1 ... 25 | 156 229 | AEVU-100-...-P-A | 156 269 | AEVU-100-...-A-P-A |
| S2 – Through piston rod | | | | | | |
|  | 12 | 1 ... 10 | 156 230 | AEVU-12-...-P-A-S2 | 156 270 | AEVU-12-...-A-P-A-S2 |
| | 16 | 1 ... 25 | 156 231 | AEVU-16-...-P-A-S2 | 156 271 | AEVU-16-...-A-P-A-S2 |
| | 20 | 1 ... 25 | 156 232 | AEVU-20-...-P-A-S2 | 156 272 | AEVU-20-...-A-P-A-S2 |
| | 25 | 1 ... 25 | 156 233 | AEVU-25-...-P-A-S2 | 156 273 | AEVU-25-...-A-P-A-S2 |
| | 32 | 1 ... 25 | 156 234 | AEVU-32-...-P-A-S2 | 156 274 | AEVU-32-...-A-P-A-S2 |
| | 40 | 1 ... 25 | 156 235 | AEVU-40-...-P-A-S2 | 156 275 | AEVU-40-...-A-P-A-S2 |
| | 50 | 1 ... 25 | 156 236 | AEVU-50-...-P-A-S2 | 156 276 | AEVU-50-...-A-P-A-S2 |
| | 63 | 1 ... 25 | 156 237 | AEVU-63-...-P-A-S2 | 156 277 | AEVU-63-...-A-P-A-S2 |
| | 80 | 1 ... 25 | 156 238 | AEVU-80-...-P-A-S2 | 156 278 | AEVU-80-...-A-P-A-S2 |
| | 100 | 1 ... 25 | 156 239 | AEVU-100-...-P-A-S2 | 156 279 | AEVU-100-...-A-P-A-S2 |
| S6 – Heat resistant up to 120 °C | | | | | | |
|  | 12 | 1 ... 10 | 156 250 | AEVU-12-...-P-A-S6 | 156 310 | AEVU-12-...-A-P-A-S6 |
| | 16 | 1 ... 25 | 156 251 | AEVU-16-...-P-A-S6 | 156 311 | AEVU-16-...-A-P-A-S6 |
| | 20 | 1 ... 25 | 156 252 | AEVU-20-...-P-A-S6 | 156 312 | AEVU-20-...-A-P-A-S6 |
| | 25 | 1 ... 25 | 156 253 | AEVU-25-...-P-A-S6 | 156 313 | AEVU-25-...-A-P-A-S6 |
| | 32 | 1 ... 25 | 156 254 | AEVU-32-...-P-A-S6 | 156 314 | AEVU-32-...-A-P-A-S6 |
| | 40 | 1 ... 25 | 156 255 | AEVU-40-...-P-A-S6 | 156 315 | AEVU-40-...-A-P-A-S6 |
| | 50 | 1 ... 25 | 156 256 | AEVU-50-...-P-A-S6 | 156 316 | AEVU-50-...-A-P-A-S6 |
| | 63 | 1 ... 25 | 156 257 | AEVU-63-...-P-A-S6 | 156 317 | AEVU-63-...-A-P-A-S6 |
| | 80 | 1 ... 25 | 156 258 | AEVU-80-...-P-A-S6 | 156 318 | AEVU-80-...-A-P-A-S6 |
| | 100 | 1 ... 25 | 156 259 | AEVU-100-...-P-A-S6 | 156 319 | AEVU-100-...-A-P-A-S6 |
| S26 – Through piston rod, heat resistant up to 120 °C | | | | | | |
|  | 12 | 1 ... 10 | 156 240 | AEVU-12-...-P-A-S26 | 156 300 | AEVU-12-...-A-P-A-S26 |
| | 16 | 1 ... 25 | 156 241 | AEVU-16-...-P-A-S26 | 156 301 | AEVU-16-...-A-P-A-S26 |
| | 20 | 1 ... 25 | 156 242 | AEVU-20-...-P-A-S26 | 156 302 | AEVU-20-...-A-P-A-S26 |
| | 25 | 1 ... 25 | 156 243 | AEVU-25-...-P-A-S26 | 156 303 | AEVU-25-...-A-P-A-S26 |
| | 32 | 1 ... 25 | 156 244 | AEVU-32-...-P-A-S26 | 156 304 | AEVU-32-...-A-P-A-S26 |
| | 40 | 1 ... 25 | 156 245 | AEVU-40-...-P-A-S26 | 156 305 | AEVU-40-...-A-P-A-S26 |
| | 50 | 1 ... 25 | 156 246 | AEVU-50-...-P-A-S26 | 156 306 | AEVU-50-...-A-P-A-S26 |
| | 63 | 1 ... 25 | 156 247 | AEVU-63-...-P-A-S26 | 156 307 | AEVU-63-...-A-P-A-S26 |
| | 80 | 1 ... 25 | 156 248 | AEVU-80-...-P-A-S26 | 156 308 | AEVU-80-...-A-P-A-S26 |
| | 100 | 1 ... 25 | 156 249 | AEVU-100-...-P-A-S26 | 156 309 | AEVU-100-...-A-P-A-S26 |

Compact cylinders AEVU/AEVUZ

Technical data – Single-acting, basic version

FESTO


| Ordering data – Pushing variants, AEVU | | | | | | |
|---|------------------|----------------|-------------------------------|------|-----------------------------|-------------------------|
| Type | Piston Ø [mm] | Stroke [mm] | Piston rod with female thread | | Piston rod with male thread | |
| | | | Part No. | Type | Part No. | Type |
| S20 – Through, hollow piston rod | | | | | | |
|  | 12 | 1 ... 10 | – | | 156 280 | AEVU-12-...-A-P-A-S20 |
| | 16 | 1 ... 25 | – | | 156 281 | AEVU-16-...-A-P-A-S20 |
| | 20 | 1 ... 25 | – | | 156 282 | AEVU-20-...-A-P-A-S20 |
| | 25 | 1 ... 25 | – | | 156 283 | AEVU-25-...-A-P-A-S20 |
| | 32 | 1 ... 25 | – | | 156 284 | AEVU-32-...-A-P-A-S20 |
| | 40 | 1 ... 25 | – | | 156 285 | AEVU-40-...-A-P-A-S20 |
| | 50 | 1 ... 25 | – | | 156 286 | AEVU-50-...-A-P-A-S20 |
| | 63 | 1 ... 25 | – | | 156 287 | AEVU-63-...-A-P-A-S20 |
| | 80 | 1 ... 25 | – | | 156 288 | AEVU-80-...-A-P-A-S20 |
| | 100 | 1 ... 25 | – | | 156 289 | AEVU-100-...-A-P-A-S20 |
| S206 – Through, hollow piston rod, heat resistant up to 120 °C | | | | | | |
|  | 12 | 1 ... 10 | – | | 156 290 | AEVU-12-...-A-P-A-S206 |
| | 16 | 1 ... 25 | – | | 156 291 | AEVU-16-...-A-P-A-S206 |
| | 20 | 1 ... 25 | – | | 156 292 | AEVU-20-...-A-P-A-S206 |
| | 25 | 1 ... 25 | – | | 156 293 | AEVU-25-...-A-P-A-S206 |
| | 32 | 1 ... 25 | – | | 156 294 | AEVU-32-...-A-P-A-S206 |
| | 40 | 1 ... 25 | – | | 156 295 | AEVU-40-...-A-P-A-S206 |
| | 50 | 1 ... 25 | – | | 156 296 | AEVU-50-...-A-P-A-S206 |
| | 63 | 1 ... 25 | – | | 156 297 | AEVU-63-...-A-P-A-S206 |
| | 80 | 1 ... 25 | – | | 156 298 | AEVU-80-...-A-P-A-S206 |
| | 100 | 1 ... 25 | – | | 156 299 | AEVU-100-...-A-P-A-S206 |



| Ordering data – Pulling variants, basic version, AEVUZ | | | | | | |
|---|------------------|----------------|-------------------------------|-----------------|-----------------------------|-------------------|
| Type | Piston Ø [mm] | Stroke [mm] | Piston rod with female thread | | Piston rod with male thread | |
| | | | Part No. | Type | Part No. | Type |
|  | 12 | 5 | 157 206 | AEVUZ-12-5-P-A | 157 252 | AEVUZ-12-5-A-P-A |
| | | 10 | 157 207 | AEVUZ-12-10-P-A | 157 253 | AEVUZ-12-10-A-P-A |
| | 16 | 5 | 157 211 | AEVUZ-16-5-P-A | 157 257 | AEVUZ-16-5-A-P-A |
| | | 10 | 157 212 | AEVUZ-16-10-P-A | 157 258 | AEVUZ-16-10-A-P-A |
| | | 15 | 157 213 | AEVUZ-16-15-P-A | 157 259 | AEVUZ-16-15-A-P-A |
| | | 20 | 157 214 | AEVUZ-16-20-P-A | 157 260 | AEVUZ-16-20-A-P-A |
| | | 25 | 157 215 | AEVUZ-16-25-P-A | 157 261 | AEVUZ-16-25-A-P-A |
| | 20 | 5 | 157 216 | AEVUZ-20-5-P-A | 157 262 | AEVUZ-20-5-A-P-A |
| | | 10 | 157 217 | AEVUZ-20-10-P-A | 157 263 | AEVUZ-20-10-A-P-A |
| | | 15 | 157 218 | AEVUZ-20-15-P-A | 157 264 | AEVUZ-20-15-A-P-A |
| | | 20 | 157 219 | AEVUZ-20-20-P-A | 157 265 | AEVUZ-20-20-A-P-A |
| | | 25 | 157 220 | AEVUZ-20-25-P-A | 157 266 | AEVUZ-20-25-A-P-A |
| | 25 | 5 | 157 221 | AEVUZ-25-5-P-A | 157 267 | AEVUZ-25-5-A-P-A |
| | | 10 | 157 222 | AEVUZ-25-10-P-A | 157 268 | AEVUZ-25-10-A-P-A |
| | | 15 | 157 223 | AEVUZ-25-15-P-A | 157 269 | AEVUZ-25-15-A-P-A |
| | | 20 | 157 224 | AEVUZ-25-20-P-A | 157 270 | AEVUZ-25-20-A-P-A |
| | | 25 | 157 225 | AEVUZ-25-25-P-A | 157 271 | AEVUZ-25-25-A-P-A |
| | 32 | 5 | 157 226 | AEVUZ-32-5-P-A | 157 272 | AEVUZ-32-5-A-P-A |
| | | 10 | 157 227 | AEVUZ-32-10-P-A | 157 273 | AEVUZ-32-10-A-P-A |
| | | 15 | 157 228 | AEVUZ-32-15-P-A | 157 274 | AEVUZ-32-15-A-P-A |
| 20 | | 157 229 | AEVUZ-32-20-P-A | 157 275 | AEVUZ-32-20-A-P-A | |
| 25 | | 157 230 | AEVUZ-32-25-P-A | 157 276 | AEVUZ-32-25-A-P-A | |

Compact cylinders AEU/AEUVZ

Technical data – Single-acting, basic version

FESTO

| Ordering data – Pulling variants, basic version, AEUZ | | | | | | |
|---|------------------|----------------|-------------------------------|-----------------|-----------------------------|-------------------|
| Type | Piston Ø [mm] | Stroke [mm] | Piston rod with female thread | | Piston rod with male thread | |
| | | | Part No. | Type | Part No. | Type |
|  | 40 | 5 | 157 231 | AEUZ-40-5-P-A | 157 277 | AEUZ-40-5-A-P-A |
| | | 10 | 157 232 | AEUZ-40-10-P-A | 157 278 | AEUZ-40-10-A-P-A |
| | | 15 | 157 233 | AEUZ-40-15-P-A | 157 279 | AEUZ-40-15-A-P-A |
| | | 20 | 157 234 | AEUZ-40-20-P-A | 157 280 | AEUZ-40-20-A-P-A |
| | | 25 | 157 235 | AEUZ-40-25-P-A | 157 281 | AEUZ-40-25-A-P-A |
| | 50 | 10 | 157 236 | AEUZ-50-10-P-A | 157 282 | AEUZ-50-10-A-P-A |
| | | 15 | 157 237 | AEUZ-50-15-P-A | 157 283 | AEUZ-50-15-A-P-A |
| | | 20 | 157 238 | AEUZ-50-20-P-A | 157 284 | AEUZ-50-20-A-P-A |
| | | 25 | 157 239 | AEUZ-50-25-P-A | 157 285 | AEUZ-50-25-A-P-A |
| | 63 | 10 | 157 240 | AEUZ-63-10-P-A | 157 286 | AEUZ-63-10-A-P-A |
| | | 15 | 157 241 | AEUZ-63-15-P-A | 157 287 | AEUZ-63-15-A-P-A |
| | | 20 | 157 242 | AEUZ-63-20-P-A | 157 288 | AEUZ-63-20-A-P-A |
| | | 25 | 157 243 | AEUZ-63-25-P-A | 157 289 | AEUZ-63-25-A-P-A |
| | 80 | 10 | 157 244 | AEUZ-80-10-P-A | 157 290 | AEUZ-80-10-A-P-A |
| | | 15 | 157 245 | AEUZ-80-15-P-A | 157 291 | AEUZ-80-15-A-P-A |
| | | 20 | 157 246 | AEUZ-80-20-P-A | 157 292 | AEUZ-80-20-A-P-A |
| | | 25 | 157 247 | AEUZ-80-25-P-A | 157 293 | AEUZ-80-25-A-P-A |
| | 100 | 10 | 157 248 | AEUZ-100-10-P-A | 157 294 | AEUZ-100-10-A-P-A |
| | | 15 | 157 249 | AEUZ-100-15-P-A | 157 295 | AEUZ-100-15-A-P-A |
| | | 20 | 157 250 | AEUZ-100-20-P-A | 157 296 | AEUZ-100-20-A-P-A |
| 25 | | 157 251 | AEUZ-100-25-P-A | 157 297 | AEUZ-100-25-A-P-A | |

| Ordering data – Pulling variants, AEUZ | | | | | | |
|---|------------------|----------------|-------------------------------|---------------------|-----------------------------|-----------------------|
| Type | Piston Ø [mm] | Stroke [mm] | Piston rod with female thread | | Piston rod with male thread | |
| | | | Part No. | Type | Part No. | Type |
| Variable stroke | | | | | | |
|  | 12 | 1 ... 10 | 156 460 | AEUZ-12-...-P-A | 156 480 | AEUZ-12-...-A-P-A |
| | 16 | 1 ... 25 | 156 461 | AEUZ-16-...-P-A | 156 481 | AEUZ-16-...-A-P-A |
| | 20 | 1 ... 25 | 156 462 | AEUZ-20-...-P-A | 156 482 | AEUZ-20-...-A-P-A |
| | 25 | 1 ... 25 | 156 463 | AEUZ-25-...-P-A | 156 483 | AEUZ-25-...-A-P-A |
| | 32 | 1 ... 25 | 156 464 | AEUZ-32-...-P-A | 156 484 | AEUZ-32-...-A-P-A |
| | 40 | 1 ... 25 | 156 465 | AEUZ-40-...-P-A | 156 485 | AEUZ-40-...-A-P-A |
| | 50 | 1 ... 25 | 156 466 | AEUZ-50-...-P-A | 156 486 | AEUZ-50-...-A-P-A |
| | 63 | 1 ... 25 | 156 467 | AEUZ-63-...-P-A | 156 487 | AEUZ-63-...-A-P-A |
| | 80 | 1 ... 25 | 156 468 | AEUZ-80-...-P-A | 156 488 | AEUZ-80-...-A-P-A |
| | 100 | 1 ... 25 | 156 469 | AEUZ-100-...-P-A | 156 489 | AEUZ-100-...-A-P-A |
| S6 – Heat resistant up to 120 °C | | | | | | |
|  | 12 | 1 ... 10 | 156 470 | AEUZ-12-...-P-A-S6 | 156 490 | AEUZ-12-...-A-P-A-S6 |
| | 16 | 1 ... 25 | 156 471 | AEUZ-16-...-P-A-S6 | 156 491 | AEUZ-16-...-A-P-A-S6 |
| | 20 | 1 ... 25 | 156 472 | AEUZ-20-...-P-A-S6 | 156 492 | AEUZ-20-...-A-P-A-S6 |
| | 25 | 1 ... 25 | 156 473 | AEUZ-25-...-P-A-S6 | 156 493 | AEUZ-25-...-A-P-A-S6 |
| | 32 | 1 ... 25 | 156 474 | AEUZ-32-...-P-A-S6 | 156 494 | AEUZ-32-...-A-P-A-S6 |
| | 40 | 1 ... 25 | 156 475 | AEUZ-40-...-P-A-S6 | 156 495 | AEUZ-40-...-A-P-A-S6 |
| | 50 | 1 ... 25 | 156 476 | AEUZ-50-...-P-A-S6 | 156 496 | AEUZ-50-...-A-P-A-S6 |
| | 63 | 1 ... 25 | 156 477 | AEUZ-63-...-P-A-S6 | 156 497 | AEUZ-63-...-A-P-A-S6 |
| | 80 | 1 ... 25 | 156 478 | AEUZ-80-...-P-A-S6 | 156 498 | AEUZ-80-...-A-P-A-S6 |
| | 100 | 1 ... 25 | 156 479 | AEUZ-100-...-P-A-S6 | 156 499 | AEUZ-100-...-A-P-A-S6 |

Compact cylinders AEVU/AEVUZ

Technical data – Single-acting, basic version

| Ordering data – Wearing parts kits | | | |
|------------------------------------|---------------|------------------------------------|---|
| | Part No. | Type | |
| Piston \varnothing | Basic version | | S6 – Heat resistant up to 120 °C |
| 12 | 121 115 | AEVU-12-...-(A)-P-A ¹⁾ | 383 559 AEVU-12-...-(A)-P-A-S6 ²⁾ |
| 16 | 121 116 | AEVU-16-...-(A)-P-A ¹⁾ | 383 560 AEVU-16-...-(A)-P-A-S6 ²⁾ |
| 20 | 121 117 | AEVU-20-...-(A)-P-A ¹⁾ | 383 561 AEVU-20-...-(A)-P-A-S6 ²⁾ |
| 25 | 121 118 | AEVU-25-...-(A)-P-A ¹⁾ | 383 562 AEVU-25-...-(A)-P-A-S6 ²⁾ |
| 32 | 121 119 | AEVU-32-...-(A)-P-A ¹⁾ | 383 563 AEVU-32-...-(A)-P-A-S6 ¹⁾ |
| 40 | 121 120 | AEVU-40-...-(A)-P-A ¹⁾ | 383 564 AEVU-40-...-(A)-P-A-S6 ¹⁾ |
| 50 | 121 121 | AEVU-50-...-(A)-P-A ¹⁾ | 383 565 AEVU-50-...-(A)-P-A-S6 ¹⁾ |
| 63 | 121 122 | AEVU-63-...-(A)-P-A ¹⁾ | 383 566 AEVU-63-...-(A)-P-A-S6 ¹⁾ |
| 80 | 121 123 | AEVU-80-...-(A)-P-A ¹⁾ | 383 567 AEVU-80-...-(A)-P-A-S6 ¹⁾ |
| 100 | 121 124 | AEVU-100-...-(A)-P-A ¹⁾ | 383 568 AEVU-100-...-(A)-P-A-S6 ¹⁾ |

1) Assembly grease included in scope of delivery

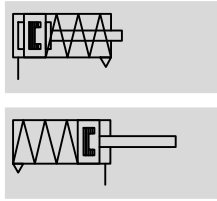
2) Assembly grease not included in scope of delivery. If required, please order separately under part no. 329 555 (20 ml)

Compact cylinders AEVULQ/AEVULQZ

Technical data – Single-acting, non-rotating with square piston rod

FESTO

Function



⌀ - Diameter
16 ... 100 mm

— - Stroke length
1 ... 25 mm

www.festo.com

Variants



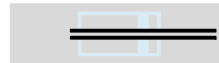
S2



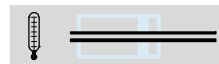
S6



S26



S20



S206



AEVULQ-...-P-A



AEVULQ-...-P-A-S2

| General technical data | | | | | | | | | | |
|--------------------------------|--|----|----------|------|------|----------|------|---------|---------|-----|
| Piston Ø | 16 | 20 | 25 | 32 | 40 | 50 | 63 | 80 | 100 | |
| Pneumatic connection | M5 | M5 | M5 | G1/8 | G1/8 | G1/8 | G1/8 | G1/8 | G1/4 | |
| End of piston rod | Female thread | M4 | M5 | M5 | M6 | M6 | M8 | M8 | M10 | M12 |
| | Male thread | M8 | M10x1.25 | | | M12x1.25 | | M16x1.5 | M20x1.5 | |
| Operating medium | Compressed air in accordance with ISO 8573-1:2010 [7:4:4] | | | | | | | | | |
| Note on operating/pilot medium | Operation with lubricated medium possible (in which case lubricated operation will always be required) | | | | | | | | | |
| Constructional design | Piston | | | | | | | | | |
| | Piston rod | | | | | | | | | |
| Cushioning | Flexible cushioning rings/plates at both ends | | | | | | | | | |
| Position sensing | For proximity sensing | | | | | | | | | |
| Type of mounting | Via through-holes | | | | | | | | | |
| | Via female thread | | | | | | | | | |
| | Via accessories | | | | | | | | | |
| Mounting position | Any | | | | | | | | | |

⚡ - Note: This product conforms to ISO 1179-1 and to ISO 228-1

| Operating pressure [bar] | | | | | | | | | |
|---------------------------|------------|----|------------|----|------------|----|------------|----|-----|
| Piston Ø | 16 | 20 | 25 | 32 | 40 | 50 | 63 | 80 | 100 |
| Pushing variant AEVULQ | | | | | | | | | |
| Piston rod at one end | 1.3 ... 10 | | 1.0 ... 10 | | 0.8 ... 10 | | 0.6 ... 10 | | |
| Through piston rod S2/S20 | 1.5 ... 10 | | 1.4 ... 10 | | 1.2 ... 10 | | 1.0 ... 10 | | |
| Pulling variant AEVULQZ | | | | | | | | | |
| Piston rod at one end | 1.3 ... 10 | | 1.0 ... 10 | | 0.8 ... 10 | | | | |

| Ambient conditions | | |
|--|---------------|-------------|
| Compact cylinder | Basic version | S6 |
| Ambient temperature ¹⁾ | [°C] | -20 ... +80 |
| Corrosion resistance class CRC ²⁾ | | 2 |

1) Note operating range of proximity sensors

2) Corrosion resistance class 2 according to Festo standard 940 070

Components requiring moderate corrosion resistance. Externally visible parts with primarily decorative surface requirements which are in direct contact with a surrounding industrial atmosphere or media such as cooling or lubricating agents

Compact cylinders AEVULQ/AEVULQZ

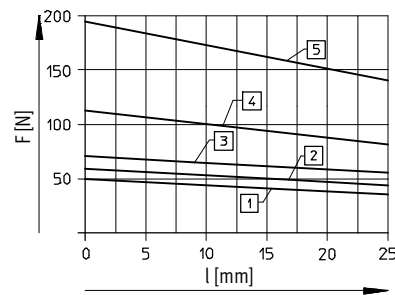
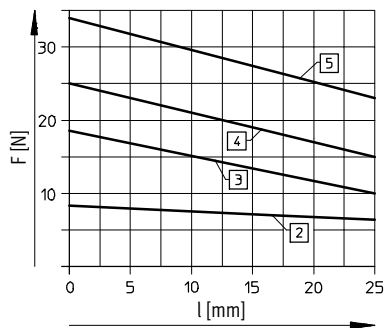
Technical data – Single-acting, non-rotating with square piston rod

| Forces [N] | | | | | | | | | |
|---------------------------------------|-----|-----|-----|-----|-----|------|------|------|------|
| Piston Ø | 16 | 20 | 25 | 32 | 40 | 50 | 63 | 80 | 100 |
| Pushing variant AEVULQ | | | | | | | | | |
| Theoretical force at 6 bar, advancing | 111 | 171 | 269 | 450 | 704 | 1121 | 1799 | 2902 | 4516 |
| S2/S20 | 81 | 123 | 221 | 382 | 636 | 999 | 1679 | 2733 | 4222 |
| Pulling variant AEVULQZ | | | | | | | | | |
| Theoretical force at 6 bar, advancing | 81 | 123 | 221 | 382 | 636 | 999 | 1679 | 2733 | 4222 |

| Technical data – Square piston rod | | | | | | | | | |
|--|------|------|------|------|------|------|------|------|------|
| Piston Ø | 16 | 20 | 25 | 32 | 40 | 50 | 63 | 80 | 100 |
| Max. torque at the piston rod ¹⁾ [Nm] | 0.20 | 0.45 | 0.45 | 0.80 | 0.80 | 1.10 | 1.10 | 1.50 | 3.00 |
| Max. torsional backlash of piston rod [°] | ±0.9 | ±0.8 | ±0.8 | ±0.6 | ±0.6 | ±0.5 | ±0.5 | ±0.4 | ±0.4 |
| Piston rod distortion [°/50 mm] | 0.30 | 0.25 | 0.25 | 0.20 | 0.20 | 0.15 | 0.15 | 0.15 | 0.09 |

1) The max. torque must not be exceeded even when fitting attachments

Spring return force F as a function of the stroke l



- 2) AEVULQ/AEVULQZ-16
- 3) AEVULQ/AEVULQZ-20
- 4) AEVULQ/AEVULQZ-25
- 5) AEVULQ/AEVULQZ-32

- 1) AEVULQ/AEVULQZ-40
- 2) AEVULQ/AEVULQZ-50
- 3) AEVULQ/AEVULQZ-63
- 4) AEVULQ/AEVULQZ-80
- 5) AEVULQ/AEVULQZ-100

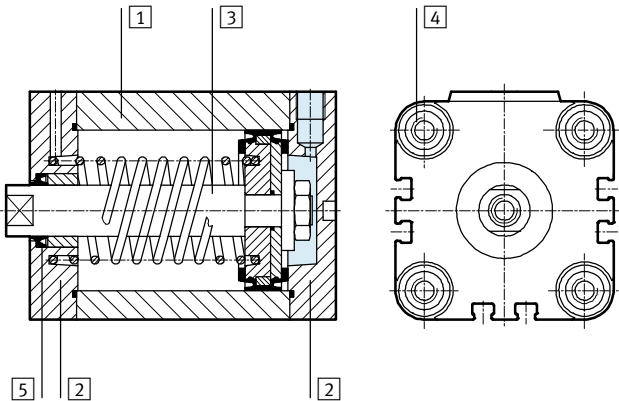
| Weights [g] | | | | | | | | | |
|------------------------------------|----|-----|-----|-----|-----|-----|------|------|------|
| Piston Ø | 16 | 20 | 25 | 32 | 40 | 50 | 63 | 80 | 100 |
| Product weight with 0 mm stroke | 89 | 149 | 180 | 300 | 433 | 560 | 1059 | 1772 | 2797 |
| Additional weight per 10 mm stroke | 15 | 23 | 28 | 40 | 59 | 72 | 107 | 168 | 177 |
| Moving load with 0 mm stroke | | | | | | | | | |
| Additional load per 10 mm stroke | 4 | 6 | 6 | 9 | 9 | 16 | 16 | 25 | 38 |

Compact cylinders AEVULQ/AEVULQZ

Technical data – Single-acting, non-rotating with square piston rod

Materials

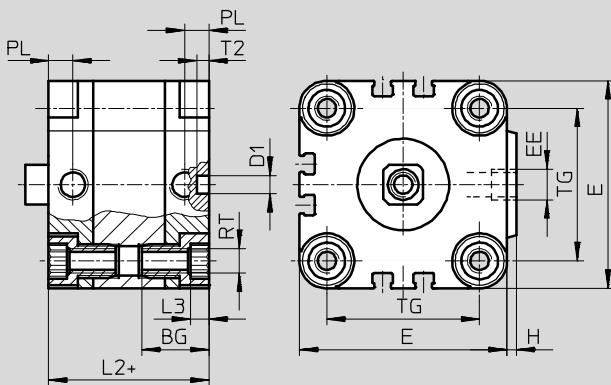
Sectional view



| Compact cylinder | Basic version | S6 |
|-------------------|-------------------------|----------------------------|
| 1 Cylinder barrel | Wrought aluminium alloy | Wrought aluminium alloy |
| 2 End cap | Wrought aluminium alloy | Wrought aluminium alloy |
| 3 Piston rod | ∅ 16 ... 32 | High-alloy stainless steel |
| | ∅ 40 ... 100 | High-alloy steel |
| 4 Flange screws | ∅ 16 | High-alloy stainless steel |
| | ∅ 20 ... 100 | Galvanised steel |
| 5 Dynamic seals | Polyurethane | Fluorocarbon rubber |

Dimensions – Basic cylinder

Download CAD data → www.festo.com



- - Note

To attach cylinder ∅ 16 mm from above, use only 2 screws diagonally or non-magnetic screws.

+ = plus stroke length

2 Minimum screw-in depth

| ∅ | BG | D1 | E | EE | H | L2 | L3 | L4 | PL | RT | T2 | TG |
|------|------|---------|-----|------|-----|------|----|----|------|-----|------|-----|
| [mm] | | ∅ H9 | | | | | | | | | -0.2 | |
| 16 | 18.5 | 6 | 29 | M5 | 1 | 38 | 3 | 16 | 8 | M4 | 4 | 18 |
| 20 | 18.5 | 6 | 36 | M5 | 1.5 | 38 | 4 | 18 | 8 | M5 | 4 | 22 |
| 25 | 18.5 | 6 | 40 | M5 | 1.5 | 39.5 | 4 | 18 | 8 | M5 | 4 | 26 |
| 32 | 21.5 | 6 | 50 | G1/8 | 2 | 44.5 | 5 | 20 | 8 | M6 | 4 | 32 |
| 40 | 21.5 | 6 | 60 | G1/8 | 2.5 | 45.5 | 5 | 20 | 8 | M6 | 4 | 42 |
| 50 | 22 | 6 | 68 | G1/8 | 3 | 45.5 | 6 | 20 | 8 | M8 | 4 | 50 |
| 63 | 24.5 | 8 | 87 | G1/8 | 4 | 50 | 8 | 25 | 8 | M10 | 4 | 62 |
| 80 | 27.5 | 8 | 107 | G1/8 | 4 | 56 | 8 | 25 | 8.5 | M10 | 4 | 82 |
| 100 | 32.5 | 8 | 128 | G1/4 | 5 | 66.5 | 8 | 25 | 10.5 | M10 | 4 | 103 |

- - Note: This product conforms to ISO 1179-1 and to ISO 228-1

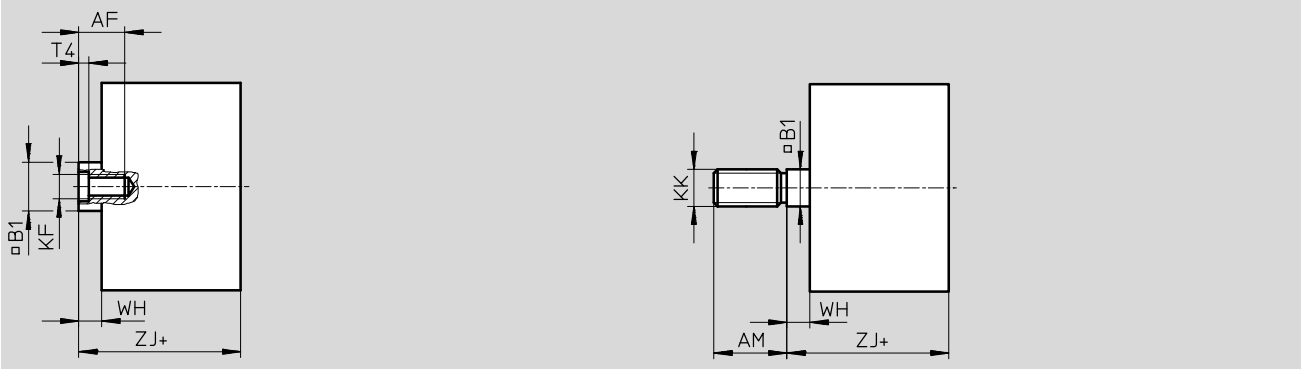
Compact cylinders AEVULQ/AEVULQZ

Technical data – Single-acting, non-rotating with square piston rod

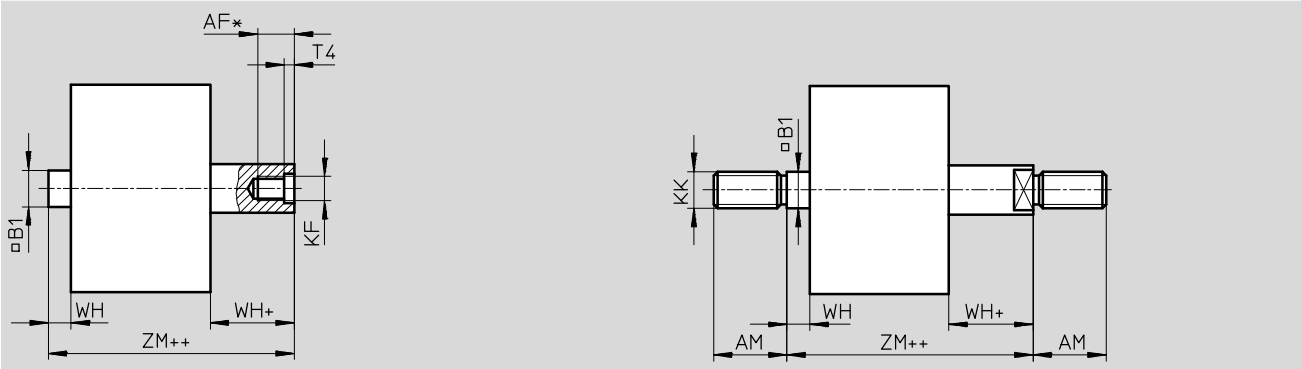
Dimensions – Pushing variants, AEVULQ

Download CAD data → www.festo.com

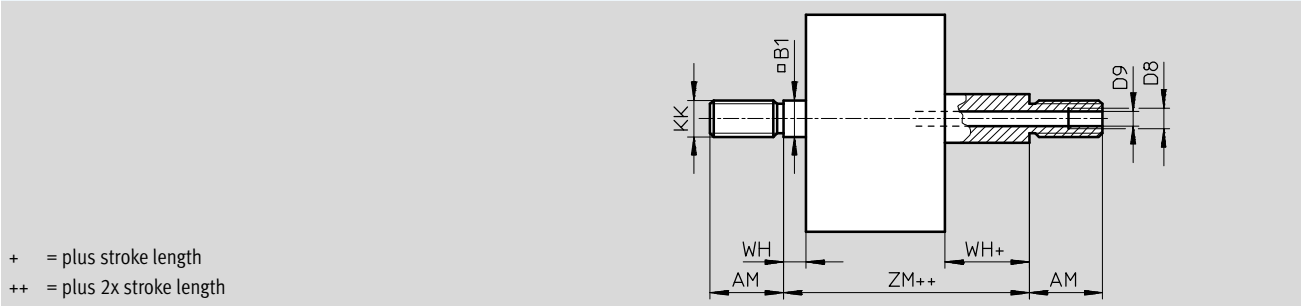
Basic version



S2 – Through piston rod



S20 – Through, hollow piston rod



+ = plus stroke length
++ = plus 2x stroke length

| ∅ [mm] | AF | AM | B1 □ | D8 | D9 ∅ | KF | KK | T4 | WH | ZJ | ZM |
|-------------------|------------------|----|---------|-------------------------------|---------|-----|----------|-----|-----|------|------|
| 16 | 10 | 20 | 7 | – | 3.2 | M4 | M8 | 1.5 | 4.5 | 42.5 | 47 |
| 20 ²⁾ | 12 | 22 | 9 | – | 3.8 | M5 | M10x1.25 | 2 | 4.5 | 42.5 | 47 |
| 25 ²⁾ | 12 | 22 | 9 | – | 3.8 | M5 | M10x1.25 | 2 | 5.5 | 45 | 50.5 |
| 32 ²⁾ | 14 | 22 | 10 | – | 4.5 | M6 | M10x1.25 | 2.6 | 6 | 50.5 | 56.5 |
| 40 ²⁾ | 14 | 22 | 10 | – | 4.5 | M6 | M10x1.25 | 2.6 | 6.5 | 52 | 58.5 |
| 50 ²⁾ | 16 | 24 | 12 | – | 6 | M8 | M12x1.25 | 3.3 | 7.5 | 53 | 60.5 |
| 63 ²⁾ | 16 | 24 | 12 | – | 6 | M8 | M12x1.25 | 3.3 | 7.5 | 57.5 | 65 |
| 80 ²⁾ | 20 ¹⁾ | 32 | 16 | G ¹ / ₈ | 8 | M10 | M16x1.5 | 4.7 | 8 | 64 | 72 |
| 100 ²⁾ | 24 ¹⁾ | 40 | 20 | G ¹ / ₄ | 11.7 | M12 | M20x1.5 | 6.1 | 10 | 76.5 | 86.5 |

1) With a stroke < 5 mm, the maximum screw-in depth is reduced by 5 mm

2) Nut for piston rod thread included in scope of delivery

Compact cylinders AEVULQ/AEVULQZ

Technical data – Single-acting, non-rotating with square piston rod

Dimensions – Pulling variants, AEVULQZ

Download CAD data → www.festo.com




+ = plus stroke length
 ++ = plus 2x stroke length

| ∅ [mm] | AF | AM | B1 □ | KF | KK | T4 | WH | ZJ |
|-------------------|----|----|---------|-----|----------|-----|-----|------|
| 16 | 10 | 20 | 7 | M4 | M8 | 1.5 | 4.5 | 42.5 |
| 20 ¹⁾ | 12 | 22 | 9 | M5 | M10x1.25 | 2 | 4.5 | 42.5 |
| 25 ¹⁾ | 12 | 22 | 9 | M5 | M10x1.25 | 2 | 5.5 | 45 |
| 32 ¹⁾ | 14 | 22 | 10 | M6 | M10x1.25 | 2.6 | 6 | 50.5 |
| 40 ¹⁾ | 14 | 22 | 10 | M6 | M10x1.25 | 2.6 | 6.5 | 52 |
| 50 ¹⁾ | 16 | 24 | 12 | M8 | M12x1.25 | 3.3 | 7.5 | 53 |
| 63 ¹⁾ | 16 | 24 | 12 | M8 | M12x1.25 | 3.3 | 7.5 | 57.5 |
| 80 ¹⁾ | 20 | 32 | 16 | M10 | M16x1.5 | 4.7 | 8 | 64 |
| 100 ¹⁾ | 24 | 40 | 20 | M12 | M20x1.5 | 6.1 | 10 | 76.5 |

1) Nut for piston rod thread included in scope of delivery

Compact cylinders AEVULQ/AEVULQZ






Technical data – Single-acting, non-rotating with square piston rod

| Ordering data – Pushing variants, basic version, AEVULQ | | | | | | |
|---|------------------|----------------|-------------------------------|------------------|-----------------------------|--------------------|
| Type | Piston Ø [mm] | Stroke [mm] | Piston rod with female thread | | Piston rod with male thread | |
| | | | Part No. | Type | Part No. | Type |
|  | 16 | 5 | 157 027 | AEVULQ-16-5-P-A | 157 073 | AEVULQ-16-5-A-P-A |
| | | 10 | 157 028 | AEVULQ-16-10-P-A | 157 074 | AEVULQ-16-10-A-P-A |
| | | 15 | 157 029 | AEVULQ-16-15-P-A | 157 075 | AEVULQ-16-15-A-P-A |
| | | 20 | 157 030 | AEVULQ-16-20-P-A | 157 076 | AEVULQ-16-20-A-P-A |
| | | 25 | 157 031 | AEVULQ-16-25-P-A | 157 077 | AEVULQ-16-25-A-P-A |
| | 20 | 5 | 157 032 | AEVULQ-20-5-P-A | 157 078 | AEVULQ-20-5-A-P-A |
| | | 10 | 157 033 | AEVULQ-20-10-P-A | 157 079 | AEVULQ-20-10-A-P-A |
| | | 15 | 157 034 | AEVULQ-20-15-P-A | 157 080 | AEVULQ-20-15-A-P-A |
| | | 20 | 157 035 | AEVULQ-20-20-P-A | 157 081 | AEVULQ-20-20-A-P-A |
| | | 25 | 157 036 | AEVULQ-20-25-P-A | 157 082 | AEVULQ-20-25-A-P-A |
| | 25 | 5 | 157 037 | AEVULQ-25-5-P-A | 157 083 | AEVULQ-25-5-A-P-A |
| | | 10 | 157 038 | AEVULQ-25-10-P-A | 157 084 | AEVULQ-25-10-A-P-A |
| | | 15 | 157 039 | AEVULQ-25-15-P-A | 157 085 | AEVULQ-25-15-A-P-A |
| | | 20 | 157 040 | AEVULQ-25-20-P-A | 157 086 | AEVULQ-25-20-A-P-A |
| | | 25 | 157 041 | AEVULQ-25-25-P-A | 157 087 | AEVULQ-25-25-A-P-A |
| | 32 | 5 | 157 042 | AEVULQ-32-5-P-A | 157 088 | AEVULQ-32-5-A-P-A |
| | | 10 | 157 043 | AEVULQ-32-10-P-A | 157 089 | AEVULQ-32-10-A-P-A |
| | | 15 | 157 044 | AEVULQ-32-15-P-A | 157 090 | AEVULQ-32-15-A-P-A |
| | | 20 | 157 045 | AEVULQ-32-20-P-A | 157 091 | AEVULQ-32-20-A-P-A |
| | | 25 | 157 046 | AEVULQ-32-25-P-A | 157 092 | AEVULQ-32-25-A-P-A |
| | 40 | 5 | 157 047 | AEVULQ-40-5-P-A | 157 093 | AEVULQ-40-5-A-P-A |
| | | 10 | 157 048 | AEVULQ-40-10-P-A | 157 094 | AEVULQ-40-10-A-P-A |
| | | 15 | 157 049 | AEVULQ-40-15-P-A | 157 095 | AEVULQ-40-15-A-P-A |
| | | 20 | 157 050 | AEVULQ-40-20-P-A | 157 096 | AEVULQ-40-20-A-P-A |
| | | 25 | 157 051 | AEVULQ-40-25-P-A | 157 097 | AEVULQ-40-25-A-P-A |
| 50 | 10 | 157 052 | AEVULQ-50-10-P-A | 157 098 | AEVULQ-50-10-A-P-A | |
| | 15 | 157 053 | AEVULQ-50-15-P-A | 157 099 | AEVULQ-50-15-A-P-A | |
| | 20 | 157 054 | AEVULQ-50-20-P-A | 157 100 | AEVULQ-50-20-A-P-A | |
| | 25 | 157 055 | AEVULQ-50-25-P-A | 157 101 | AEVULQ-50-25-A-P-A | |
| 63 | 10 | 157 056 | AEVULQ-63-10-P-A | 157 102 | AEVULQ-63-10-A-P-A | |
| | 15 | 157 057 | AEVULQ-63-15-P-A | 157 103 | AEVULQ-63-15-A-P-A | |
| | 20 | 157 058 | AEVULQ-63-20-P-A | 157 104 | AEVULQ-63-20-A-P-A | |
| | 25 | 157 059 | AEVULQ-63-25-P-A | 157 105 | AEVULQ-63-25-A-P-A | |
| 80 | 10 | 157 060 | AEVULQ-80-10-P-A | 157 106 | AEVULQ-80-10-A-P-A | |
| | 15 | 157 061 | AEVULQ-80-15-P-A | 157 107 | AEVULQ-80-15-A-P-A | |
| | 20 | 157 062 | AEVULQ-80-20-P-A | 157 108 | AEVULQ-80-20-A-P-A | |
| | 25 | 157 063 | AEVULQ-80-25-P-A | 157 109 | AEVULQ-80-25-A-P-A | |
| 100 | 10 | 157 064 | AEVULQ-100-10-P-A | 157 110 | AEVULQ-100-10-A-P-A | |
| | 15 | 157 065 | AEVULQ-100-15-P-A | 157 111 | AEVULQ-100-15-A-P-A | |
| | 20 | 157 066 | AEVULQ-100-20-P-A | 157 112 | AEVULQ-100-20-A-P-A | |
| | 25 | 157 067 | AEVULQ-100-25-P-A | 157 113 | AEVULQ-100-25-A-P-A | |

Compact cylinders AEVULQ/AEVULQZ

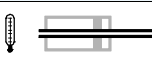
Technical data – Single-acting, non-rotating with square piston rod


FESTO

| Ordering data – Pushing variants, AEVULQ | | | | | | |
|---|------------------|----------------|-------------------------------|------------------------|-----------------------------|--------------------------|
| Type | Piston Ø [mm] | Stroke [mm] | Piston rod with female thread | | Piston rod with male thread | |
| | | | Part No. | Type | Part No. | Type |
| Variable stroke | | | | | | |
|  | 16 | 1 ... 25 | 156 321 | AEVULQ-16-...-P-A | 156 361 | AEVULQ-16-...-A-P-A |
| | 20 | 1 ... 25 | 156 322 | AEVULQ-20-...-P-A | 156 362 | AEVULQ-20-...-A-P-A |
| | 25 | 1 ... 25 | 156 323 | AEVULQ-25-...-P-A | 156 363 | AEVULQ-25-...-A-P-A |
| | 32 | 1 ... 25 | 156 324 | AEVULQ-32-...-P-A | 156 364 | AEVULQ-32-...-A-P-A |
| | 40 | 1 ... 25 | 156 325 | AEVULQ-40-...-P-A | 156 365 | AEVULQ-40-...-A-P-A |
| | 50 | 1 ... 25 | 156 326 | AEVULQ-50-...-P-A | 156 366 | AEVULQ-50-...-A-P-A |
| | 63 | 1 ... 25 | 156 327 | AEVULQ-63-...-P-A | 156 367 | AEVULQ-63-...-A-P-A |
| | 80 | 1 ... 25 | 156 328 | AEVULQ-80-...-P-A | 156 368 | AEVULQ-80-...-A-P-A |
| | 100 | 1 ... 25 | 156 329 | AEVULQ-100-...-P-A | 156 369 | AEVULQ-100-...-A-P-A |
| S2 – Through piston rod | | | | | | |
|  | 16 | 1 ... 25 | 156 331 | AEVULQ-16-...-P-A-S2 | 156 371 | AEVULQ-16-...-A-P-A-S2 |
| | 20 | 1 ... 25 | 156 332 | AEVULQ-20-...-P-A-S2 | 156 372 | AEVULQ-20-...-A-P-A-S2 |
| | 25 | 1 ... 25 | 156 333 | AEVULQ-25-...-P-A-S2 | 156 373 | AEVULQ-25-...-A-P-A-S2 |
| | 32 | 1 ... 25 | 156 334 | AEVULQ-32-...-P-A-S2 | 156 374 | AEVULQ-32-...-A-P-A-S2 |
| | 40 | 1 ... 25 | 156 335 | AEVULQ-40-...-P-A-S2 | 156 375 | AEVULQ-40-...-A-P-A-S2 |
| | 50 | 1 ... 25 | 156 336 | AEVULQ-50-...-P-A-S2 | 156 376 | AEVULQ-50-...-A-P-A-S2 |
| | 63 | 1 ... 25 | 156 337 | AEVULQ-63-...-P-A-S2 | 156 377 | AEVULQ-63-...-A-P-A-S2 |
| | 80 | 1 ... 25 | 156 338 | AEVULQ-80-...-P-A-S2 | 156 378 | AEVULQ-80-...-A-P-A-S2 |
| | 100 | 1 ... 25 | 156 339 | AEVULQ-100-...-P-A-S2 | 156 379 | AEVULQ-100-...-A-P-A-S2 |
| S6 – Heat resistant up to 120 °C | | | | | | |
|  | 16 | 1 ... 25 | 156 351 | AEVULQ-16-...-P-A-S6 | 156 411 | AEVULQ-16-...-A-P-A-S6 |
| | 20 | 1 ... 25 | 156 352 | AEVULQ-20-...-P-A-S6 | 156 412 | AEVULQ-20-...-A-P-A-S6 |
| | 25 | 1 ... 25 | 156 353 | AEVULQ-25-...-P-A-S6 | 156 413 | AEVULQ-25-...-A-P-A-S6 |
| | 32 | 1 ... 25 | 156 354 | AEVULQ-32-...-P-A-S6 | 156 414 | AEVULQ-32-...-A-P-A-S6 |
| | 40 | 1 ... 25 | 156 355 | AEVULQ-40-...-P-A-S6 | 156 415 | AEVULQ-40-...-A-P-A-S6 |
| | 50 | 1 ... 25 | 156 356 | AEVULQ-50-...-P-A-S6 | 156 416 | AEVULQ-50-...-A-P-A-S6 |
| | 63 | 1 ... 25 | 156 357 | AEVULQ-63-...-P-A-S6 | 156 417 | AEVULQ-63-...-A-P-A-S6 |
| | 80 | 1 ... 25 | 156 358 | AEVULQ-80-...-P-A-S6 | 156 418 | AEVULQ-80-...-A-P-A-S6 |
| | 100 | 1 ... 25 | 156 359 | AEVULQ-100-...-P-A-S6 | 156 419 | AEVULQ-100-...-A-P-A-S6 |
| S26 – Through piston rod, heat resistant up to 120 °C | | | | | | |
|  | 16 | 1 ... 25 | 156 341 | AEVULQ-16-...-P-A-S26 | 156 401 | AEVULQ-16-...-A-P-A-S26 |
| | 20 | 1 ... 25 | 156 342 | AEVULQ-20-...-P-A-S26 | 156 402 | AEVULQ-20-...-A-P-A-S26 |
| | 25 | 1 ... 25 | 156 343 | AEVULQ-25-...-P-A-S26 | 156 403 | AEVULQ-25-...-A-P-A-S26 |
| | 32 | 1 ... 25 | 156 344 | AEVULQ-32-...-P-A-S26 | 156 404 | AEVULQ-32-...-A-P-A-S26 |
| | 40 | 1 ... 25 | 156 345 | AEVULQ-40-...-P-A-S26 | 156 405 | AEVULQ-40-...-A-P-A-S26 |
| | 50 | 1 ... 25 | 156 346 | AEVULQ-50-...-P-A-S26 | 156 406 | AEVULQ-50-...-A-P-A-S26 |
| | 63 | 1 ... 25 | 156 347 | AEVULQ-63-...-P-A-S26 | 156 407 | AEVULQ-63-...-A-P-A-S26 |
| | 80 | 1 ... 25 | 156 348 | AEVULQ-80-...-P-A-S26 | 156 408 | AEVULQ-80-...-A-P-A-S26 |
| | 100 | 1 ... 25 | 156 349 | AEVULQ-100-...-P-A-S26 | 156 409 | AEVULQ-100-...-A-P-A-S26 |
| S20 – Through, hollow piston rod | | | | | | |
|  | 16 | 1 ... 25 | – | | 156 381 | AEVULQ-16-...-A-P-A-S20 |
| | 20 | 1 ... 25 | – | | 156 382 | AEVULQ-20-...-A-P-A-S20 |
| | 25 | 1 ... 25 | – | | 156 383 | AEVULQ-25-...-A-P-A-S20 |
| | 32 | 1 ... 25 | – | | 156 384 | AEVULQ-32-...-A-P-A-S20 |
| | 40 | 1 ... 25 | – | | 156 385 | AEVULQ-40-...-A-P-A-S20 |
| | 50 | 1 ... 25 | – | | 156 386 | AEVULQ-50-...-A-P-A-S20 |
| | 63 | 1 ... 25 | – | | 156 387 | AEVULQ-63-...-A-P-A-S20 |
| | 80 | 1 ... 25 | – | | 156 388 | AEVULQ-80-...-A-P-A-S20 |
| | 100 | 1 ... 25 | – | | 156 389 | AEVULQ-100-...-A-P-A-S20 |

Compact cylinders AEVULQ/AEVULQZ


Technical data – Single-acting, non-rotating with square piston rod


| Ordering data – Pushing variants, AEVULQ | | | | | | |
|---|------------------|----------------|-------------------------------|------|-----------------------------|---------------------------|
| Type | Piston Ø [mm] | Stroke [mm] | Piston rod with female thread | | Piston rod with male thread | |
| | | | Part No. | Type | Part No. | Type |
| S206 – Through, hollow piston rod, heat resistant up to 120 °C | | | | | | |
|  | 16 | 1 ... 25 | – | | 156 391 | AEVULQ-16-...-A-P-A-S206 |
| | 20 | 1 ... 25 | – | | 156 392 | AEVULQ-20-...-A-P-A-S206 |
| | 25 | 1 ... 25 | – | | 156 393 | AEVULQ-25-...-A-P-A-S206 |
| | 32 | 1 ... 25 | – | | 156 394 | AEVULQ-32-...-A-P-A-S206 |
| | 40 | 1 ... 25 | – | | 156 395 | AEVULQ-40-...-A-P-A-S206 |
| | 50 | 1 ... 25 | – | | 156 396 | AEVULQ-50-...-A-P-A-S206 |
| | 63 | 1 ... 25 | – | | 156 397 | AEVULQ-63-...-A-P-A-S206 |
| | 80 | 1 ... 25 | – | | 156 398 | AEVULQ-80-...-A-P-A-S206 |
| | 100 | 1 ... 25 | – | | 156 399 | AEVULQ-100-...-A-P-A-S206 |


| Ordering data – Pulling variants, basic version, AEVULQZ | | | | | | |
|---|------------------|----------------|-------------------------------|-------------------|-----------------------------|---------------------|
| Type | Piston Ø [mm] | Stroke [mm] | Piston rod with female thread | | Piston rod with male thread | |
| | | | Part No. | Type | Part No. | Type |
|  | 16 | 5 | 157 119 | AEVULQZ-16-5-P-A | 157 165 | AEVULQZ-16-5-A-P-A |
| | | 10 | 157 120 | AEVULQZ-16-10-P-A | 157 166 | AEVULQZ-16-10-A-P-A |
| | | 15 | 157 121 | AEVULQZ-16-15-P-A | 157 167 | AEVULQZ-16-15-A-P-A |
| | | 20 | 157 122 | AEVULQZ-16-20-P-A | 157 168 | AEVULQZ-16-20-A-P-A |
| | | 25 | 157 123 | AEVULQZ-16-25-P-A | 157 169 | AEVULQZ-16-25-A-P-A |
| | 20 | 5 | 157 124 | AEVULQZ-20-5-P-A | 157 170 | AEVULQZ-20-5-A-P-A |
| | | 10 | 157 125 | AEVULQZ-20-10-P-A | 157 171 | AEVULQZ-20-10-A-P-A |
| | | 15 | 157 126 | AEVULQZ-20-15-P-A | 157 172 | AEVULQZ-20-15-A-P-A |
| | | 20 | 157 127 | AEVULQZ-20-20-P-A | 157 173 | AEVULQZ-20-20-A-P-A |
| | | 25 | 157 128 | AEVULQZ-20-25-P-A | 157 174 | AEVULQZ-20-25-A-P-A |
| | 25 | 5 | 157 129 | AEVULQZ-25-5-P-A | 157 175 | AEVULQZ-25-5-A-P-A |
| | | 10 | 157 130 | AEVULQZ-25-10-P-A | 157 176 | AEVULQZ-25-10-A-P-A |
| | | 15 | 157 131 | AEVULQZ-25-15-P-A | 157 177 | AEVULQZ-25-15-A-P-A |
| | | 20 | 157 132 | AEVULQZ-25-20-P-A | 157 178 | AEVULQZ-25-20-A-P-A |
| | | 25 | 157 133 | AEVULQZ-25-25-P-A | 157 179 | AEVULQZ-25-25-A-P-A |
| | 32 | 5 | 157 134 | AEVULQZ-32-5-P-A | 157 180 | AEVULQZ-32-5-A-P-A |
| | | 10 | 157 135 | AEVULQZ-32-10-P-A | 157 181 | AEVULQZ-32-10-A-P-A |
| | | 15 | 157 136 | AEVULQZ-32-15-P-A | 157 182 | AEVULQZ-32-15-A-P-A |
| | | 20 | 157 137 | AEVULQZ-32-20-P-A | 157 183 | AEVULQZ-32-20-A-P-A |
| | | 25 | 157 138 | AEVULQZ-32-25-P-A | 157 184 | AEVULQZ-32-25-A-P-A |
| | 40 | 5 | 157 139 | AEVULQZ-40-5-P-A | 157 185 | AEVULQZ-40-5-A-P-A |
| | | 10 | 157 140 | AEVULQZ-40-10-P-A | 157 186 | AEVULQZ-40-10-A-P-A |
| | | 15 | 157 141 | AEVULQZ-40-15-P-A | 157 187 | AEVULQZ-40-15-A-P-A |
| | | 20 | 157 142 | AEVULQZ-40-20-P-A | 157 188 | AEVULQZ-40-20-A-P-A |
| | | 25 | 157 143 | AEVULQZ-40-25-P-A | 157 189 | AEVULQZ-40-25-A-P-A |
| | 50 | 10 | 157 144 | AEVULQZ-50-10-P-A | 157 190 | AEVULQZ-50-10-A-P-A |
| | | 15 | 157 145 | AEVULQZ-50-15-P-A | 157 191 | AEVULQZ-50-15-A-P-A |
| | | 20 | 157 146 | AEVULQZ-50-20-P-A | 157 192 | AEVULQZ-50-20-A-P-A |
| | | 25 | 157 147 | AEVULQZ-50-25-P-A | 157 193 | AEVULQZ-50-25-A-P-A |
| | 63 | 10 | 157 148 | AEVULQZ-63-10-P-A | 157 194 | AEVULQZ-63-10-A-P-A |
| | | 15 | 157 149 | AEVULQZ-63-15-P-A | 157 195 | AEVULQZ-63-15-A-P-A |
| | | 20 | 157 150 | AEVULQZ-63-20-P-A | 157 196 | AEVULQZ-63-20-A-P-A |
| | | 25 | 157 151 | AEVULQZ-63-25-P-A | 157 197 | AEVULQZ-63-25-A-P-A |

Compact cylinders AEVULQ/AEVULQZ

Technical data – Single-acting, non-rotating with square piston rod

| Ordering data – Pulling variants, basic version, AEVULQZ | | | | | | |
|---|------------------|----------------|-------------------------------|--------------------|-----------------------------|----------------------|
| Type | Piston Ø [mm] | Stroke [mm] | Piston rod with female thread | | Piston rod with male thread | |
| | | | Part No. | Type | Part No. | Type |
|  | 80 | 10 | 157 152 | AEVULQZ-80-10-P-A | 157 198 | AEVULQZ-80-10-A-P-A |
| | | 15 | 157 153 | AEVULQZ-80-15-P-A | 157 199 | AEVULQZ-80-15-A-P-A |
| | | 20 | 157 154 | AEVULQZ-80-20-P-A | 157 200 | AEVULQZ-80-20-A-P-A |
| | | 25 | 157 155 | AEVULQZ-80-25-P-A | 157 201 | AEVULQZ-80-25-A-P-A |
| | 100 | 10 | 157 156 | AEVULQZ-100-10-P-A | 157 202 | AEVULQZ-100-10-A-P-A |
| | | 15 | 157 157 | AEVULQZ-100-15-P-A | 157 203 | AEVULQZ-100-15-A-P-A |
| | | 20 | 157 158 | AEVULQZ-100-20-P-A | 157 204 | AEVULQZ-100-20-A-P-A |
| | | 25 | 157 159 | AEVULQZ-100-25-P-A | 157 205 | AEVULQZ-100-25-A-P-A |

| Ordering data – Pulling variants, AEVULQZ | | | | | | |
|---|------------------|----------------|-------------------------------|---------------------|-----------------------------|-----------------------|
| Type | Piston Ø [mm] | Stroke [mm] | Piston rod with female thread | | Piston rod with male thread | |
| | | | Part No. | Type | Part No. | Type |
| Variable stroke | | | | | | |
|  | 16 | 1 ... 25 | 156 421 | AEVULQZ-16-...-P-A | 156 441 | AEVULQZ-16-...-A-P-A |
| | 20 | 1 ... 25 | 156 422 | AEVULQZ-20-...-P-A | 156 442 | AEVULQZ-20-...-A-P-A |
| | 25 | 1 ... 25 | 156 423 | AEVULQZ-25-...-P-A | 156 443 | AEVULQZ-25-...-A-P-A |
| | 32 | 1 ... 25 | 156 424 | AEVULQZ-32-...-P-A | 156 444 | AEVULQZ-32-...-A-P-A |
| | 40 | 1 ... 25 | 156 425 | AEVULQZ-40-...-P-A | 156 445 | AEVULQZ-40-...-A-P-A |
| | 50 | 1 ... 25 | 156 426 | AEVULQZ-50-...-P-A | 156 446 | AEVULQZ-50-...-A-P-A |
| | 63 | 1 ... 25 | 156 427 | AEVULQZ-63-...-P-A | 156 447 | AEVULQZ-63-...-A-P-A |
| | 80 | 1 ... 25 | 156 428 | AEVULQZ-80-...-P-A | 156 448 | AEVULQZ-80-...-A-P-A |
| | 100 | 1 ... 25 | 156 429 | AEVULQZ-100-...-P-A | 156 449 | AEVULQZ-100-...-A-P-A |

| S6 – Heat resistant up to 120 °C | | | | | | |
|---|-----|----------|---------|------------------------|---------|--------------------------|
|  | 16 | 1 ... 25 | 156 431 | AEVULQZ-16-...-P-A-S6 | 156 451 | AEVULQZ-16-...-A-P-A-S6 |
| | 20 | 1 ... 25 | 156 432 | AEVULQZ-20-...-P-A-S6 | 156 452 | AEVULQZ-20-...-A-P-A-S6 |
| | 25 | 1 ... 25 | 156 433 | AEVULQZ-25-...-P-A-S6 | 156 453 | AEVULQZ-25-...-A-P-A-S6 |
| | 32 | 1 ... 25 | 156 434 | AEVULQZ-32-...-P-A-S6 | 156 454 | AEVULQZ-32-...-A-P-A-S6 |
| | 40 | 1 ... 25 | 156 435 | AEVULQZ-40-...-P-A-S6 | 156 455 | AEVULQZ-40-...-A-P-A-S6 |
| | 50 | 1 ... 25 | 156 436 | AEVULQZ-50-...-P-A-S6 | 156 456 | AEVULQZ-50-...-A-P-A-S6 |
| | 63 | 1 ... 25 | 156 437 | AEVULQZ-63-...-P-A-S6 | 156 457 | AEVULQZ-63-...-A-P-A-S6 |
| | 80 | 1 ... 25 | 156 438 | AEVULQZ-80-...-P-A-S6 | 156 458 | AEVULQZ-80-...-A-P-A-S6 |
| | 100 | 1 ... 25 | 156 439 | AEVULQZ-100-...-P-A-S6 | 156 459 | AEVULQZ-100-...-A-P-A-S6 |

Compact cylinders ADVU/AEVU

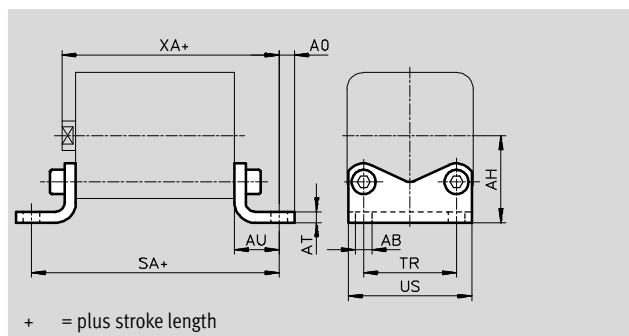
Accessories

Foot mounting HUA
for piston \varnothing 12 ... 100 mm

Foot mounting HNC
for piston \varnothing 125 mm
(not illustrated)

Material:

HUA/HNC: Galvanised steel
HUA-...-R3: Steel, silver protective coating, high corrosion protection
Free of copper and PTFE



| Dimensions and ordering data | | | | | | | | | | | |
|------------------------------|---------------------|------|-------|----|----|---------------|-------|-----|-----|---------------|-------|
| For \varnothing | AB \varnothing | AH | A0 | AT | AU | SA | | TR | US | XA | |
| | | | | | | Basic version | S1 | | | Basic version | S1 |
| 12/16 | 5.5 | 22 | 4.75 | 3 | 13 | 64 | - | 18 | 27 | 55.5 | - |
| 20 | 6.6 | 27 | 6.25 | 4 | 16 | 70 | - | 22 | 34 | 58.5 | - |
| 25 | 6.6 | 29 | 6.25 | 4 | 16 | 71.5 | 77.5 | 26 | 38 | 61 | 73 |
| 32 | 6.6 | 34 | 8.25 | 5 | 18 | 80.5 | - | 32 | 48 | 68.5 | - |
| 40 | 9 | 40.5 | 8.25 | 5 | 20 | 85.5 | 92.5 | 42 | 58 | 72 | 89 |
| 50 | 9 | 47 | 8.25 | 6 | 24 | 93.5 | - | 50 | 66 | 77 | - |
| 63 | 11 | 56.5 | 11.75 | 6 | 27 | 104 | 112 | 62 | 85 | 84.5 | 106.5 |
| 80 | 11 | 68.5 | 11.75 | 8 | 30 | 116 | - | 82 | 105 | 94 | - |
| 100 | 13.5 | 81 | 11.75 | 8 | 33 | 132.5 | 143.5 | 103 | 126 | 109.5 | 137.5 |
| 125 | 16.5 | 90 | 22 | 8 | 45 | 171 | - | 90 | 131 | 144 | - |

| For \varnothing | Weight [g] | Basic version | | | Weight [g] | High corrosion protection | | |
|-------------------|---------------|-------------------|----------|-----------|---------------|---------------------------|----------|--------------|
| | | CRC ¹⁾ | Part No. | Type | | CRC ¹⁾ | Part No. | Type |
| 12/16 | 45 | 1 | 157309 | HUA-12/16 | 45 | 3 | 176873 | HUA-12/16-R3 |
| 20 | 88 | 1 | 157310 | HUA-20 | 88 | 3 | 176874 | HUA-20-R3 |
| 25 | 94 | 1 | 157311 | HUA-25 | 94 | 3 | 176875 | HUA-25-R3 |
| 32 | 171 | 1 | 157312 | HUA-32 | 171 | 3 | 176876 | HUA-32-R3 |
| 40 | 220 | 1 | 157313 | HUA-40 | 220 | 3 | 176877 | HUA-40-R3 |
| 50 | 344 | 1 | 157314 | HUA-50 | 344 | 3 | 176878 | HUA-50-R3 |
| 63 | 581 | 1 | 157315 | HUA-63 | 581 | 3 | 176879 | HUA-63-R3 |
| 80 | 878 | 1 | 157316 | HUA-80 | 878 | 3 | 176880 | HUA-80-R3 |
| 100 | 1117 | 1 | 157317 | HUA-100 | 1117 | 3 | 176881 | HUA-100-R3 |
| 125 | 1840 | 2 | 174375 | HNC-125 | 1840 | 4 | 176943 | CRHNC-125 |

- 1) Corrosion resistance class 1 according to Festo standard 940 070
Components with light corrosion exposure. Protection for transport and storage. Components without significant decorative function or surface, e.g. installed out of sight internally or behind covers.
- Corrosion resistance class 2 according to Festo standard 940 070
Components requiring moderate corrosion resistance. Externally visible parts with primarily decorative surface requirements which are in direct contact with a surrounding industrial atmosphere or media such as cooling or lubricating agents.
- Corrosion resistance class 3 according to Festo standard 940 070
Components requiring higher corrosion resistance. External visible parts in direct contact with industrial atmospheres or media such as solvents and cleaning agents, with a predominantly functional requirement for the surface.
- Corrosion resistance class 4 according to Festo standard 940 070
Components requiring higher corrosion resistance. Parts used with aggressive media, e.g. food or chemical industry. These applications should be supported with special tests with the media if required

Compact cylinders ADVU/AEVU

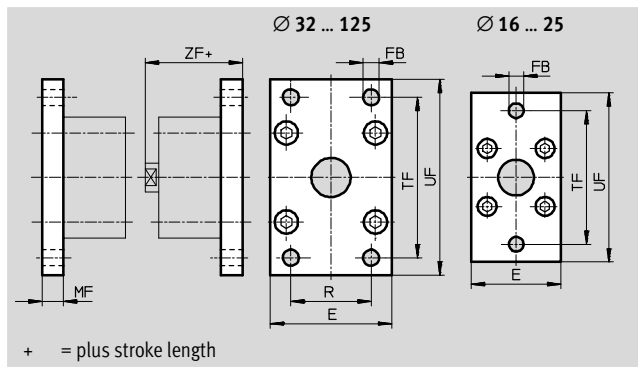
Accessories



Flange mounting FUA
for piston \varnothing 12 ... 100 mm

Flange mounting FNC
for piston \varnothing 125 mm
(not illustrated)

Material:
FUA: Wrought aluminium alloy
FNC: Galvanised steel
Free of copper and PTFE
Conforms to RoHS



| Dimensions and ordering data | | | | | | | | | | | | |
|------------------------------|-----|---------------------|----|----|-----|-----|---------------|-------|-------------------|---------------|---------------|------------------|
| For \varnothing | E | FB \varnothing | MF | R | TF | UF | ZF | | CRC ¹⁾ | Weight [g] | Part No. | Type |
| | | | | | | | Basic version | S1 | | | | |
| 12/16 | 29 | 5.5 | 10 | – | 43 | 55 | 52.5 | – | 2 | 48 | 157299 | FUA-12/16 |
| 20 | 36 | 6.6 | 10 | – | 55 | 70 | 52.5 | – | 2 | 77 | 157300 | FUA-20 |
| 25 | 40 | 6.6 | 10 | – | 60 | 76 | 55 | 67 | 2 | 91 | 157301 | FUA-25 |
| 32 | 50 | 7 | 10 | 32 | 65 | 80 | 60.5 | – | 2 | 290 | 157302 | FUA-32 |
| 40 | 60 | 9 | 10 | 36 | 82 | 102 | 62 | 79 | 2 | 449 | 157303 | FUA-40 |
| 50 | 68 | 9 | 12 | 45 | 90 | 110 | 65 | – | 2 | 658 | 157304 | FUA-50 |
| 63 | 87 | 9 | 15 | 50 | 110 | 130 | 72.5 | 91.5 | 2 | 1277 | 157305 | FUA-63 |
| 80 | 107 | 12 | 15 | 63 | 135 | 160 | 76 | – | 2 | 1910 | 157306 | FUA-80 |
| 100 | 128 | 14 | 15 | 75 | 163 | 190 | 91.5 | 119.5 | 2 | 2716 | 157307 | FUA-100 |
| 125 | 132 | 16 | 20 | 90 | 180 | 210 | 119 | – | 1 | 3775 | 174382 | FNC-125 |

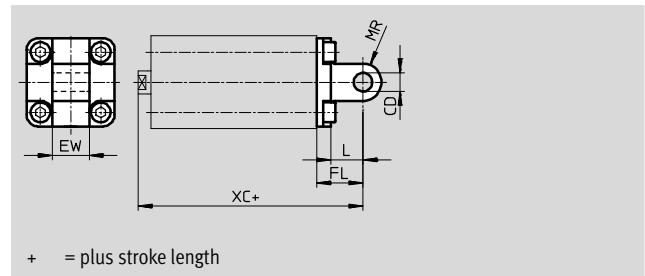
1) Corrosion resistance class 1 according to Festo standard 940 070
Components with light corrosion exposure. Protection for transport and storage. Components without significant decorative function or surface, e.g. installed out of sight internally or behind covers.
Corrosion resistance class 2 according to Festo standard 940 070
Components requiring moderate corrosion resistance. Externally visible parts with primarily decorative surface requirements which are in direct contact with a surrounding industrial atmosphere or media such as cooling or lubricating agents

Compact cylinders ADVU/AEVU

Accessories

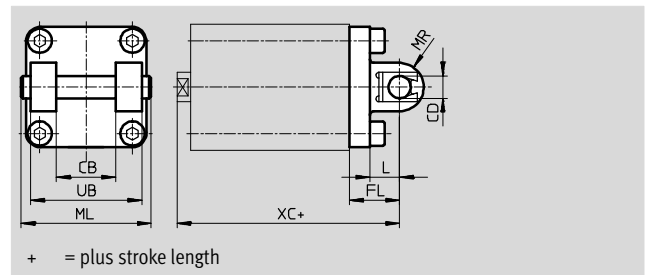
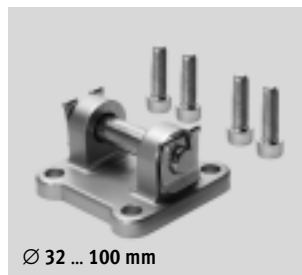
Swivel flange SUA for piston \varnothing 12 ... 25 mm

Material:
SUA: Anodised aluminium
SUA- ... -R3: Aluminium, silver protective coating, high corrosion protection
Free of copper and PTFE



for piston \varnothing 32 ... 100 mm

Material:
SUA: Anodised aluminium
SUA- ... -R3: Aluminium, silver protective coating, high corrosion protection
Free of copper and PTFE



| Dimensions and ordering data | | | | | | | | | | |
|------------------------------|----|---------------------|----|----|----|-----|----|-----|---------------|-------|
| For \varnothing | CB | CD \varnothing | EW | FL | L | ML | MR | UB | XC | |
| | | | | | | | | | Basic version | S1 |
| 12/16 | - | 6 | 12 | 16 | 10 | - | 6 | - | 58.5 | - |
| 20 | - | 8 | 16 | 20 | 14 | - | 8 | - | 62.5 | - |
| 25 | - | 8 | 16 | 20 | 14 | - | 8 | - | 65 | 77 |
| 32 | 26 | 10 | - | 22 | 13 | 54 | 10 | 45 | 72.5 | - |
| 40 | 28 | 12 | - | 25 | 16 | 62 | 12 | 52 | 77 | 94 |
| 50 | 32 | 12 | - | 27 | 16 | 70 | 12 | 60 | 80 | - |
| 63 | 40 | 16 | - | 32 | 21 | 82 | 16 | 70 | 89.5 | 111.5 |
| 80 | 50 | 16 | - | 36 | 23 | 102 | 16 | 90 | 100 | - |
| 100 | 60 | 20 | - | 41 | 26 | 126 | 20 | 110 | 117.5 | 145.5 |

| For \varnothing | Weight [g] | Basic version | | High corrosion protection | |
|-------------------|---------------|---------------|-----------|---------------------------|--------------|
| | | Part No. | Type | Part No. | Type |
| 12/16 | 22 | 157319 | SUA-12/16 | 176883 | SUA-12/16-R3 |
| 20 | 41 | 157320 | SUA-20 | 176884 | SUA-20-R3 |
| 25 | 45 | 157321 | SUA-25 | 176885 | SUA-25-R3 |
| 32 | 137 | 157322 | SUA-32 | 176886 | SUA-32-R3 |
| 40 | 199 | 157323 | SUA-40 | 176887 | SUA-40-R3 |
| 50 | 287 | 157324 | SUA-50 | 176888 | SUA-50-R3 |
| 63 | 530 | 157325 | SUA-63 | 176889 | SUA-63-R3 |
| 80 | 770 | 157326 | SUA-80 | 176890 | SUA-80-R3 |
| 100 | 1283 | 157327 | SUA-100 | 176891 | SUA-100-R3 |

Note
The maximum stroke length may not be exceeded when combining cylinders and swivel flanges.

| For \varnothing | Max. stroke length [mm] |
|-------------------|-------------------------|
| 12 | 50 |
| 16 | 50 |
| 20 | 50 |
| 25 | 50 |
| 32 | 100 |

| For \varnothing | Max. stroke length [mm] |
|-------------------|-------------------------|
| 40 | 100 |
| 50 | 100 |
| 63 | 100 |
| 80 | 150 |
| 100 | 150 |

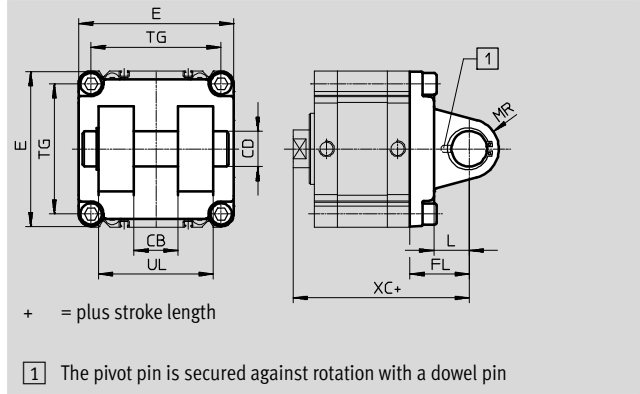
Compact cylinders ADVU/AEVU

Accessories



Swivel flange SNC-125 for piston Ø 125 mm

Material:
Die-cast aluminium
Free of copper and PTFE
Conforms to RoHS

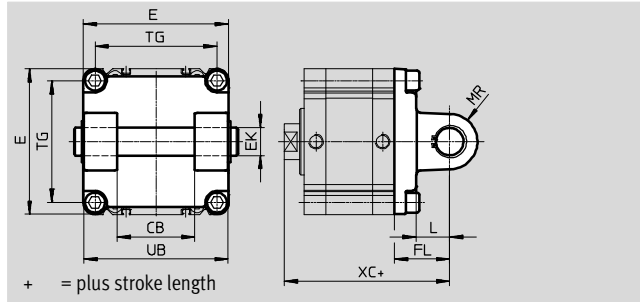


| Ordering data | | | | | | | | | | | | | |
|---------------|-----|---------|------|------|----|----|-----|-----|-----|-------------------|--------|---------------|----------------|
| For Ø | CB | CD Ø | E | FL | L | MR | TG | UL | XC | CRC ¹⁾ | Weight | Basic version | |
| | H14 | H9 | -0.8 | ±0.2 | | | | h14 | | | [g] | Part No. | Type |
| 125 | 37 | 30 | 131 | 50 | 30 | 25 | 110 | 97 | 149 | 2 | 1740 | 174389 | SNC-125 |

1) Corrosion resistance class 2 according to Festo standard 940 070
Components requiring moderate corrosion resistance. Externally visible parts with primarily decorative surface requirements which are in direct contact with a surrounding industrial atmosphere or media such as cooling or lubricating agents

Swivel flange SNCB-125 for piston Ø 125 mm

Material:
SNCB-125: Die-cast aluminium
SNCB-125-R3: Die-cast aluminium,
protective coating, high corrosion
protection
Free of copper and PTFE
Conforms to RoHS



| Ordering data | | | | | | | | | |
|---------------|-----|------|---------|------|----|------|-----|-----|-----|
| For Ø | CB | E | EK Ø | FL | L | MR | TG | UB | XC |
| [mm] | H14 | -0.8 | H9/e8 | ±0.2 | | -0.5 | | h14 | |
| 125 | 70 | 131 | 25 | 50 | 30 | 25 | 110 | 130 | 149 |

| For Ø | Basic version | | | | R3 – High corrosion protection | | | |
|-------|-------------------|--------|---------------|-----------------|--------------------------------|--------|---------------|--------------------|
| | CRC ¹⁾ | Weight | Part No. | Type | CRC ¹⁾ | Weight | Part No. | Type |
| [mm] | | [g] | | | | [g] | | |
| 125 | 2 | 1860 | 174396 | SNCB-125 | 3 | 1776 | 176950 | SNCB-125-R3 |

1) Corrosion resistance class 2 according to Festo standard 940 070
Components requiring moderate corrosion resistance. Externally visible parts with primarily decorative surface requirements which are in direct contact with a surrounding industrial atmosphere or media such as cooling or lubricating agents
Corrosion resistance class 3 according to Festo standard 940 070
Components requiring higher corrosion resistance. External visible parts in direct contact with industrial atmospheres or media such as solvents and cleaning agents, with a predominantly functional requirement for the surface

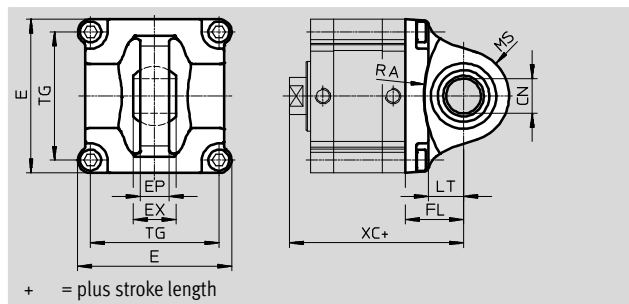
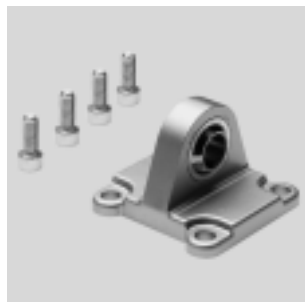
Compact cylinders ADVU/AEVU

Accessories

FESTO

Swivel flange SNCS-125 for piston Ø 125 mm

Material:
Die-cast aluminium
Free of copper and PTFE
Conforms to RoHS

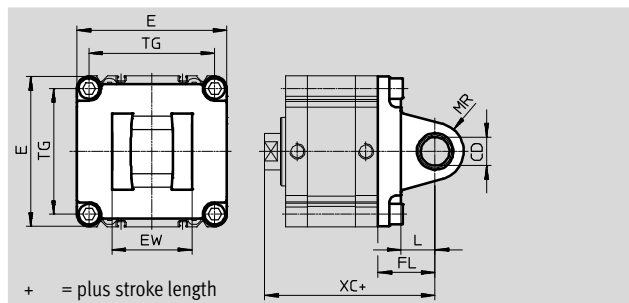


| Ordering data | | | | | | | | | | | | | Weight [g] | Basic version | |
|---------------|-------------------|--------------|------------|------------|------------|----|----|----------|-----|-----|-------------------|----------|---------------|-----------------|--|
| For Ø | CN Ø +0.018 | E +1/-0.7 | EP ±0.2 | EX ±0.2 | FL ±0.2 | LT | MS | RA +1 | TG | XC | CRC ¹⁾ | Part No. | | Type | |
| 125 | 30 | 132 | 25 | 37 | 50 | 30 | 39 | 100 | 110 | 149 | 2 | 1375 | 174403 | SNCS-125 | |

1) Corrosion resistance class 2 according to Festo standard 940 070
Components requiring moderate corrosion resistance. Externally visible parts with primarily decorative surface requirements which are in direct contact with a surrounding industrial atmosphere or media such as cooling or lubricating agents

Swivel flange SNCL-125 for piston Ø 125 mm

Material:
Die-cast aluminium
Free of copper and PTFE
Conforms to RoHS



| Ordering data | | | | | | | | | | | | | Weight [g] | Basic version | |
|---------------|---------------|-----------|-----------------|------------|----|----|-----|-----|-------------------|----------|---------------|-----------------|---------------|---------------|--|
| For Ø | CD Ø H9 | E -0.8 | EW -0.2/-0.6 | FL ±0.2 | L | MR | TG | XC | CRC ¹⁾ | Part No. | Type | | | | |
| 125 | 25 | 131 | 70 | 50 | 30 | 25 | 110 | 149 | 2 | 1300 | 174410 | SNCL-125 | | | |

1) Corrosion resistance class 2 according to Festo standard 940 070
Components requiring moderate corrosion resistance. Externally visible parts with primarily decorative surface requirements which are in direct contact with a surrounding industrial atmosphere or media such as cooling or lubricating agents

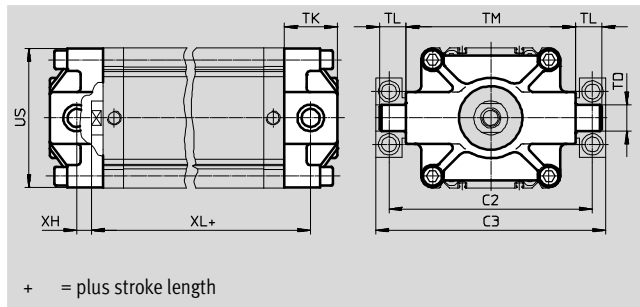
Compact cylinders ADVU/AEVU

Accessories



Trunnion flange ZNCF-125 for piston Ø 125 mm


Material:
High-alloy stainless steel
Free of copper and PTFE
Conforms to RoHS

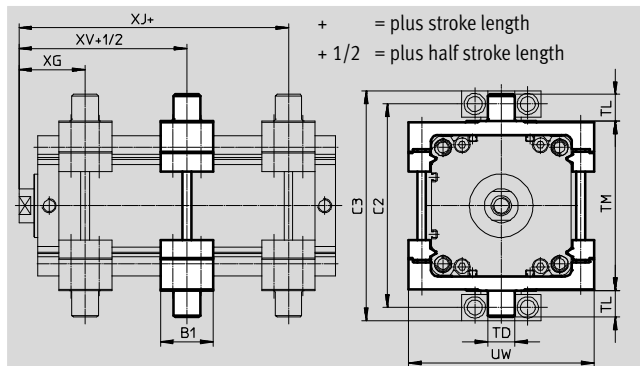


| Ordering data | | | | | | | | | | | | |
|---------------|-----|-----|---------------|------------|-----------------|-----------|-----|----|-----|---------------|--------------------------------|-----------------|
| For Ø | C2 | C3 | TD Ø e9 | TK max. | TL +0.5/-0.7 | TM h14 | US | XH | XL | Weight [g] | Basic version Part No. Type | |
| 125 | 192 | 217 | 25 | 50 | 24.5 | 160 | 131 | 14 | 124 | 3484 | 174417 | ZNCF-125 |

Trunnion mounting kit DAMT-V7-125-A for piston Ø 125 mm

Material:
Tempered steel
Free of copper and PTFE
Conforms to RoHS

-  - Note
The trunnion mounting kit can be attached to the cylinder profile barrel at any position.



| Ordering data | | | | | | | | | | | | | | |
|---------------|-----|-----|----|---------------|----|-----|-----|------|------|------|-------------------|---------------|--------------------------------|----------------------|
| For Ø | C1 | C2 | B1 | TD Ø e9 | TL | TM | UW | XG | XV | XJ | CRC ¹⁾ | Weight [g] | Basic version Part No. Type | |
| 125 | 217 | 192 | 50 | 25 | 25 | 160 | 175 | 62.5 | 58.5 | 54.5 | 1 | 3013 | 163531 | DAMT-V7-125-A |

1) Corrosion resistance class 1 according to Festo standard 940 070
Components with light corrosion exposure. Protection for transport and storage. Components without significant decorative function or surface, e.g. installed out of sight internally or behind covers.

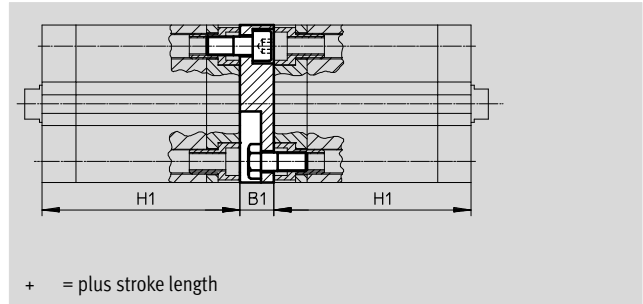
Compact cylinders ADVU/AEVU

Accessories

FESTO

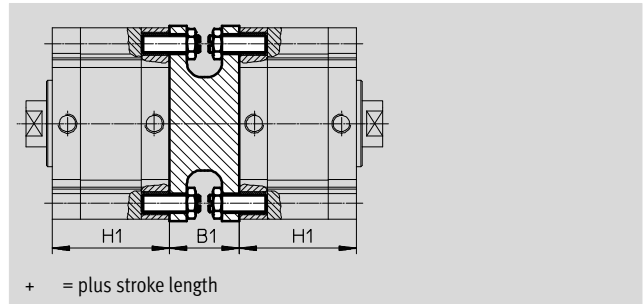
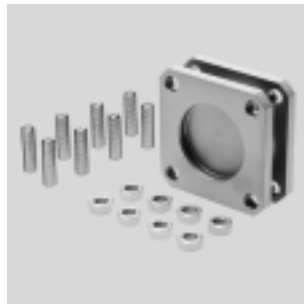
Adapter kit DPVU for piston \varnothing 12 ... 100 mm


Material:
Wrought aluminium alloy
Free of copper and PTFE
Conforms to RoHS



Adapter kit DPNC for piston \varnothing 125 mm

Material:
Flange: Wrought aluminium alloy
Threaded pins, hex nuts: Galvanised steel



 Note
The maximum overall stroke length may not be exceeded when combining cylinders and adapter kits.

| Dimensions and ordering data | | | | | | | |
|------------------------------|------|------|---------------------------------|-------------------|------------|----------|------------|
| For \varnothing | B1 | H | Max. overall stroke length [mm] | CRC ¹⁾ | Weight [g] | Part No. | Type |
| 12/16 | 12.5 | 38 | 400 | 2 | 22 | 161194 | DPVU-12/16 |
| 20 | 12.5 | 38 | 400 | 2 | 36 | 161195 | DPVU-20 |
| 25 | 13 | 39.5 | 400 | 2 | 44 | 161196 | DPVU-25 |
| 32 | 14.5 | 44.5 | 600 | 2 | 90 | 161197 | DPVU-32 |
| 40 | 14.5 | 45.5 | 600 | 2 | 137 | 161198 | DPVU-40 |
| 50 | 14.5 | 45.5 | 600 | 2 | 177 | 161199 | DPVU-50 |
| 63 | 14.5 | 50 | 600 | 2 | 308 | 161200 | DPVU-63 |
| 80 | 16.5 | 56 | 800 | 2 | 495 | 161201 | DPVU-80 |
| 100 | 19.5 | 66.5 | 800 | 2 | 859 | 161202 | DPVU-100 |
| 125 | 48 | 81 | 1000 | 2 | 1600 | 174424 | DPNC-125 |

1) Corrosion resistance class 2 according to Festo standard 940 070
Components requiring moderate corrosion resistance. Externally visible parts with primarily decorative surface requirements which are in direct contact with a surrounding industrial atmosphere or media such as cooling or lubricating agents

Connecting two cylinders with identical piston \varnothing as a 3 or 4-position cylinder

A 3 or 4-position cylinder consists of two separate cylinders whose piston rods advance in opposing directions.

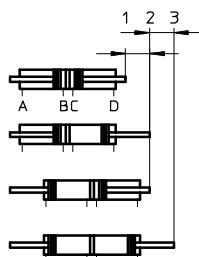
Depending upon actuation and stroke pattern, this type of cylinder can assume up to four positions. In each

case the cylinder is driven precisely against a stop. If one end of the piston rod is fixed, the cylinder barrel

executes the movement. The cylinder must be connected with flexible line connections.

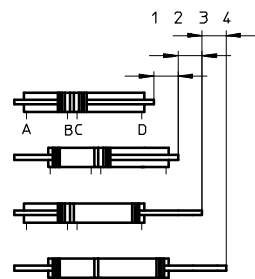
Implementing 3 positions

Two cylinders with identical stroke length must be connected to this end.



Implementing 4 positions

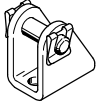


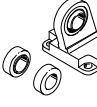

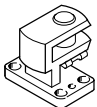
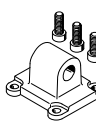

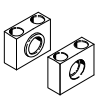
Two cylinders with different stroke lengths must be connected to this end.


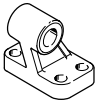
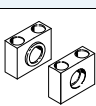


Compact cylinders ADVU/AEVU

Accessories

FESTO


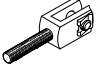
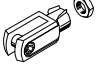
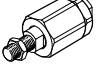
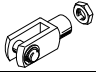
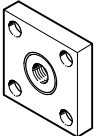
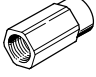
| Ordering data – Mounting attachments | | | | Technical data → Internet: clevis foot | | | |
|---|----------------|----------|-----------|---|----------------|----------|--------------|
| Designation | For Ø | Part No. | Type | Designation | For Ø | Part No. | Type |
| Clevis foot LBN | | | | Clevis foot LNG | | | |
|  | 12 | 6058 | LBN-12/16 |  | 32 | 33890 | LNG-32 |
| | 16 | 6058 | LBN-12/16 | | 40 | 33891 | LNG-40 |
| | 20 | 6059 | LBN-20/25 | | 50 | 33892 | LNG-50 |
| | 25 | 6059 | LBN-20/25 | | 63 | 33893 | LNG-63 |
| | | | | | 80 | 33894 | LNG-80 |
| | | | | | 100 | 33895 | LNG-100 |
| Clevis foot LN | | | | Clevis foot LSN | | | |
|  | 32 | 5147 | LN-32 |  | 32 | 5561 | LSN-32 |
| | 40 | 5148 | LN-40 | | 40 | 5562 | LSN-40 |
| | 50 | 5149 | LN-50 | | 50 | 5563 | LSN-50 |
| | 63 | 5150 | LN-63 | | 63 | 5564 | LSN-63 |
| | 80 | 5151 | LN-80 | | 80 | 5565 | LSN-80 |
| | 100 | 5152 | LN-100 | | 100 | 5566 | LSN-100 |
| | 125 | 9036 | LN-125 | | 125 | 6987 | LSN-125 |
| Clevis foot LBG | | | | Clevis foot, lateral LQG | | | |
|  | 20, 25, 32, 40 | 31761 | LBG-32 |  | 20, 25, 32, 40 | 31768 | LQG-32 |
| | 50, 63 | 31762 | LBG-40 | | 50, 63 | 31769 | LQG-40 |
| | 80 | 31763 | LBG-50 | | 80 | 31770 | LQG-50 |
| | | 31764 | LBG-63 | | | 31771 | LQG-63 |
| | 100 | 31765 | LBG-80 | | 100 | 31772 | LQG-80 |
| | | 31766 | LBG-100 | | | 31773 | LQG-100 |
| 125 | 31767 | LBG-125 | 125 | 31774 | LQG-125 | | |
| Swivel flange SNCL | | | | Clevis foot LSNSG | | | |
|  | 32 | 174404 | SNCL-32 |  | 125 | 31753 | LSNSG-125 |
| | 40 | 174405 | SNCL-40 | | | | |
| | 50 | 174406 | SNCL-50 | | | | |
| | 63 | 174407 | SNCL-63 | | | | |
| | 80 | 174408 | SNCL-80 | | | | |
| | 100 | 174409 | SNCL-100 | | | | |
| 125 | 174410 | SNCL-125 | | | | | |
| Trunnion support LNZG | | | | Trunnion support LNZG | | | |
| | | | |  | 125 | 32962 | LNZG-100/125 |
| | | | | | | | |

| Ordering data – Corrosion and acid resistant mounting attachments | | | | Technical data → Internet: clevis foot | | | |
|---|-------|----------|----------------|---|-------|----------|-----------|
| Designation | For Ø | Part No. | Type | Designation | For Ø | Part No. | Type |
| Clevis foot CRLBN | | | | Clevis foot CRLNG | | | |
|  | 12 | 161862 | CRLBN-12/16 |  | 32 | 161840 | CRLNG-32 |
| | 16 | 161862 | CRLBN-12/16 | | 40 | 161841 | CRLNG-40 |
| | 20 | 161863 | CRLBN-20/25 | | 50 | 161842 | CRLNG-50 |
| | 25 | 161863 | CRLBN-20/25 | | 63 | 161843 | CRLNG-63 |
| | | | | | 80 | 161844 | CRLNG-80 |
| | | | | | 100 | 161845 | CRLNG-100 |
| Trunnion support CRLNZG | | | | | | | |
|  | 125 | 161877 | CRLNZG-100/125 | | | | |
| | | | | | | | |

Compact cylinders ADVU/AEVU

Accessories


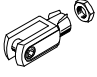
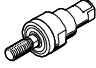
FESTO

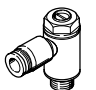

| Ordering data – Piston rod attachments | | | | Technical data → Internet: piston-rod attachment | | | | |
|---|--------|-----------------|-----------------|---|-------------|----------|--------------|--|
| Designation | For Ø | Part No. | Type | Designation | For Ø | Part No. | Type | |
| Rod eye SGS | | | | Rod clevis SGA | | | | |
|  | 12 | 9254 | SGS-M6 |  | 12 | – | – | |
| | 16 | 9255 | SGS-M8 | | 16 | – | – | |
| | 20 | 9261 | SGS-M10x1,25 | | 20 | 32954 | SGA-M10x1,25 | |
| | 25 | | | | | | | |
| | 32 | | | | | | | |
| | 40 | | | | | | | |
| | 50 | 9262 | SGS-M12x1,25 | | 50 | 10767 | SGA-M12x1,25 | |
| | 63 | 9263 | SGS-M16x1,5 | | 63 | 10768 | SGA-M16x1,5 | |
| | 80 | | | | | | | |
| | 100 | | | | | | | |
| 100 | 9264 | SGS-M20x1,5 | 100 | 10769 | SGA-M20x1,5 | | | |
| 125 | 10774 | SGS-M27x2 | 125 | 10770 | SGA-M27x2 | | | |
| Rod clevis SG | | | | Self-aligning rod coupler FK | | | | |
|  | 12 | 3110 | SG-M6 |  | 12 | 2061 | FK-M6 | |
| | 16 | 3111 | SG-M8 | | 16 | 2062 | FK-M8 | |
| | 20 | 6144 | SG-M10x1,25 | | 20 | 6140 | FK-M10x1,25 | |
| | 25 | | | | | | | |
| | 32 | | | | | | | |
| | 40 | | | | | | | |
| | 50 | 6145 | SG-M12x1,25 | | 50 | 6141 | FK-M12x1,25 | |
| | 63 | 6146 | SG-M16x1,5 | | 63 | 6142 | FK-M16x1,5 | |
| 80 | | | | | | | | |
| 100 | 6147 | SG-M20x1,5 | 100 | 6143 | FK-M20x1,5 | | | |
| 125 | 14987 | SG-M27x2-B | 125 | 10485 | FK-M27x2 | | | |
| Coupling piece KSG | | | | Coupling piece KSZ | | | | |
|  | 12 | – | – |  | 12 | 36123 | KSZ-M6 | |
| | 16 | – | – | | 16 | 36124 | KSZ-M8 | |
| | 20 | 32963 | KSG-M10x1,25 | | 20 | 36125 | KSZ-M10x1,25 | |
| | 25 | | | | | | | |
| | 32 | | | | | | | |
| | 40 | | | | | | | |
| | 50 | 32964 | KSG-M12x1,25 | | 50 | 36126 | KSZ-M12x1,25 | |
| | 63 | 32965 | KSG-M16x1,5 | | 63 | 36127 | KSZ-M16x1,5 | |
| | 80 | | | | | | | |
| | 100 | | | | | | | |
| 100 | 32966 | KSG-M20x1,5 | 100 | 36128 | KSZ-M20x1,5 | | | |
| 125 | 32967 | KSG-M27x2 | 125 | – | – | | | |
| Adapter AD | | | | | | | | |
|  | 12 | 157328 | AD-M6-M5 | | | | | |
| | | 157329 | AD-M6-1/8 | | | | | |
| | | 157330 | AD-M6-1/4 | | | | | |
| | 16 | 157331 | AD-M8-1/8 | | | | | |
| | | 157332 | AD-M8-1/4 | | | | | |
| | 20 | 157333 | AD-M10x1,25-1/8 | | | | | |
| | 25 | 157334 | AD-M10x1,25-1/4 | | | | | |
| | 32 | | | | | | | |
| | 40 | | | | | | | |
| | 50 | 160256 | AD-M12x1,25-1/4 | | | | | |
| 63 | 160257 | AD-M12x1,25-3/8 | | | | | | |

Compact cylinders ADVU/AEVU

Accessories

FESTO

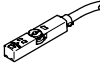
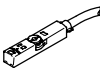
| Ordering data – Corrosion and acid resistant piston rod attachments | | | | Technical data → Internet: crsg | | | |
|---|---------|---------------|----------------|---|--------------|----------|---------------|
| Designation | For Ø | Part No. | Type | Designation | For Ø | Part No. | Type |
| Rod eye CRSGS | | | | Rod clevis CRSG | | | |
|  | 12 | 195580 | CRSGS-M6 |  | 12 | 13567 | CRSG-M6 |
| | 16 | 195581 | CRSGS-M8 | | 16 | 13568 | CRSG-M8 |
| | 20 | 195582 | CRSGS-M10x1,25 | | 20 | 13569 | CRSG-M10x1,25 |
| | 25 | | | | | | |
| | 32 | | | | | | |
| | 40 | | | | | | |
| | 50 | 195583 | CRSGS-M12x1,25 | | 50 | 13570 | CRSG-M12x1,25 |
| | 63 | 195584 | CRSGS-M16x1,5 | | 63 | 13571 | CRSG-M16x1,5 |
| | 80 | | | | | | |
| | 100 | | | | | | |
| 100 | 195585 | CRSGS-M20x1,5 | 100 | 13572 | CRSG-M20x1,5 | | |
| 125 | 195586 | CRSGS-M27x2 | 125 | 185361 | CRSG-M27x2 | | |
| Self-aligning rod coupler CRFK | | | | | | | |
|  | 20 | 2305778 | CRFK-M10x1,25 | | | | |
| | 25 | | | | | | |
| | 32 | | | | | | |
| | 40 | | | | | | |
| | 50 | 2305779 | CRFK-M12x1,25 | | | | |
| | 63 | 2490673 | CRFK-M16x1,5 | | | | |
| | 80 | | | | | | |
| 100 | 2545677 | CRFK-M20x1,5 | | | | | |

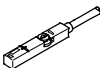


| Ordering data – One-way flow control valves | | | | Technical data → Internet: grl | | | |
|---|---|---------------|--------------|---|---|--|----------------|
| | Connection | | Material | Part No. | Type | | |
| | Thread | For tubing OD | | | | | |
| For exhaust air | | | | | | | |
|  | M5 | 3 | Metal design | 193137 | GRLA-M5-QS-3-D | | |
| | | 4 | | 193138 | GRLA-M5-QS-4-D | | |
| | | 6 | | 193139 | GRLA-M5-QS-6-D | | |
| | G ¹ / ₈ | 3 | | 193142 | GRLA- ¹ / ₈ -QS-3-D | | |
| | | 4 | | 193143 | GRLA- ¹ / ₈ -QS-4-D | | |
| | | 6 | | 193144 | GRLA- ¹ / ₈ -QS-6-D | | |
| | G ¹ / ₄ | 8 | | 193145 | GRLA- ¹ / ₈ -QS-8-D | | |
| | | 6 | | 193146 | GRLA- ¹ / ₄ -QS-6-D | | |
| | | 8 | | 193147 | GRLA- ¹ / ₄ -QS-8-D | | |
| | | | | 10 | 193148 | GRLA- ¹ / ₄ -QS-10-D | |
| | For supply air | | | | | | |
| |  | M5 | | 3 | Metal design | 193153 | GRLZ-M5-QS-3-D |
| 4 | | | 193154 | GRLZ-M5-QS-4-D | | | |
| 6 | | | 193155 | GRLZ-M5-QS-6-D | | | |
| G ¹ / ₈ | | 3 | 193156 | GRLZ- ¹ / ₈ -QS-3-D | | | |
| | | 4 | 193157 | GRLZ- ¹ / ₈ -QS-4-D | | | |
| | | 6 | 193158 | GRLZ- ¹ / ₈ -QS-6-D | | | |
| | | | 8 | 193159 | | GRLZ- ¹ / ₈ -QS-8-D | |



Compact cylinders ADVU/AEVU

Accessories

FESTO

| Ordering data – Proximity sensors for T-slot, magneto-resistive | | | | | | Technical data → Internet: smt | |
|---|--|---------------|-----------------------|------------------|----------|--------------------------------|--|
| | Type of mounting | Switch output | Electrical connection | Cable length [m] | Part No. | Type | |
| N/O contact | | | | | | | |
|  | Insertable in the slot from above, flush with cylinder profile, short design | PNP | Cable, 3-wire | 2.5 | 574335 | SMT-8M-A-PS-24V-E-2,5-OE | |
| | | | Plug M8x1, 3-pin | 0.3 | 574334 | SMT-8M-A-PS-24V-E-0,3-M8D | |
| | | | Plug M12x1, 3-pin | 0.3 | 574337 | SMT-8M-A-PS-24V-E-0,3-M12 | |
| | | NPN | Cable, 3-wire | 2.5 | 574338 | SMT-8M-A-NS-24V-E-2,5-OE | |
| | | | Plug M8x1, 3-pin | 0.3 | 574339 | SMT-8M-A-NS-24V-E-0,3-M8D | |
| N/C contact | | | | | | | |
|  | Insertable in the slot from above, flush with cylinder profile, short design | PNP | Cable, 3-wire | 7.5 | 574340 | SMT-8M-A-PO-24V-E-7,5-OE | |

| Ordering data – Proximity sensors for T-slot, magnetic reed | | | | | | Technical data → Internet: sme | | |
|---|--|---------------|-----------------------|------------------|----------|--------------------------------|------------------------|--|
| | Type of mounting | Switch output | Electrical connection | Cable length [m] | Part No. | Type | | |
| N/O contact | | | | | | | | |
|  | Insertable in the slot from above, flush with cylinder profile | Contacting | Cable, 3-wire | 2.5 | 543862 | SME-8M-DS-24V-K-2,5-OE | | |
| | | | | 5.0 | 543863 | SME-8M-DS-24V-K-5,0-OE | | |
| | | | Plug M8x1, 3-pin | Cable, 2-wire | 2.5 | 543872 | SME-8M-ZS-24V-K-2,5-OE | |
| | | | | 0.3 | 543861 | SME-8M-DS-24V-K-0,3-M8D | | |
|  | Insertable in the slot lengthwise, flush with the cylinder profile | Contacting | Cable, 3-wire | 2.5 | 150855 | SME-8-K-LED-24 | | |
| | | | Plug M8x1, 3-pin | 0.3 | 150857 | SME-8-S-LED-24 | | |
| N/C contact | | | | | | | | |
|  | Insertable in the slot lengthwise, flush with the cylinder profile | Contacting | Cable, 3-wire | 7.5 | 160251 | SME-8-0-K-LED-24 | | |

| Ordering data – Connecting cables | | | | | Technical data → Internet: nebu | |
|---|-------------------------------|------------------------------|------------------|----------|---------------------------------|--|
| | Electrical connection, left | Electrical connection, right | Cable length [m] | Part No. | Type | |
|  | Straight socket, M8x1, 3-pin | Cable, open end, 3-wire | 2.5 | 541333 | NEBU-M8G3-K-2.5-LE3 | |
| | | | 5 | 541334 | NEBU-M8G3-K-5-LE3 | |
| | Straight socket, M12x1, 5-pin | Cable, open end, 3-wire | 2.5 | 541363 | NEBU-M12G5-K-2.5-LE3 | |
| | | | 5 | 541364 | NEBU-M12G5-K-5-LE3 | |
|  | Angled socket, M8x1, 3-pin | Cable, open end, 3-wire | 2.5 | 541338 | NEBU-M8W3-K-2.5-LE3 | |
| | | | 5 | 541341 | NEBU-M8W3-K-5-LE3 | |
| | Angled socket, M12x1, 5-pin | Cable, open end, 3-wire | 2.5 | 541367 | NEBU-M12W5-K-2.5-LE3 | |
| | | | 5 | 541370 | NEBU-M12W5-K-5-LE3 | |

| Ordering data – Slot cover for T-slot | | | | |
|---|-----------------------|----------|----------|---------|
| | Assembly | Length | Part No. | Type |
|  | Insertable from above | 2x 0.5 m | 151680 | ABP-5-S |