

Solenoid valves VZWM-L

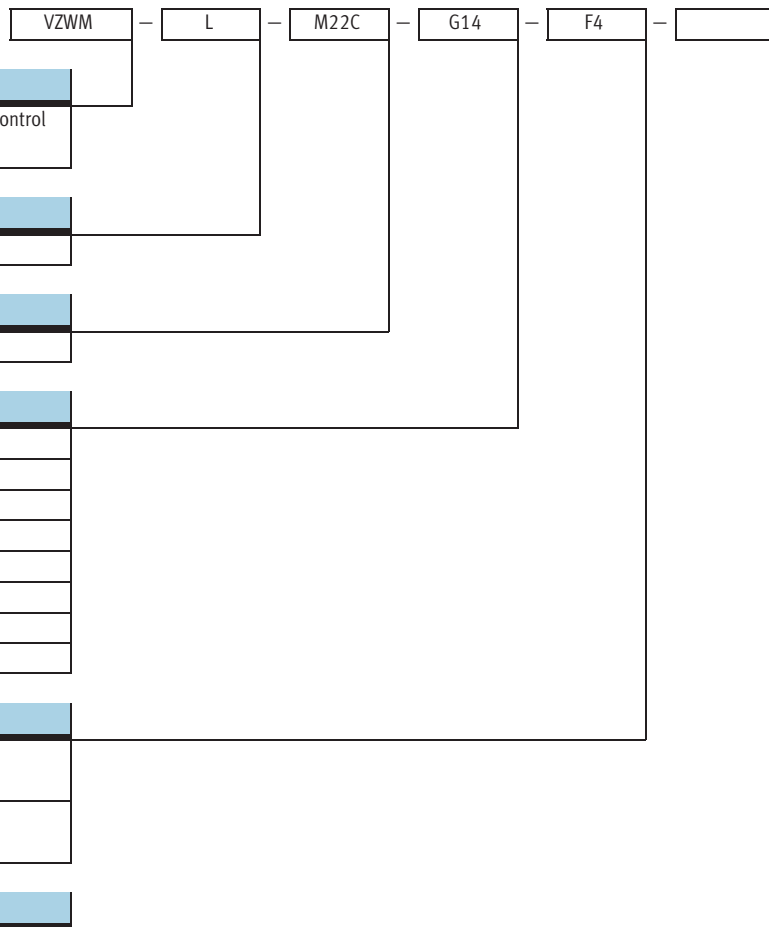


# Solenoid valves VZWM-L

Key features and type codes

## Brief description

- Indirectly controlled poppet valve with diaphragm control
- Connection, valve G $\frac{1}{4}$  ... G2
- Flow rate 1,400 ... 31,000 l/min
- Available in brass or stainless steel casting
- Varied range of coils



Type	
VZWM	Solenoid valve, process directional control valve

Design	
L	In-line valve

Valve function	
M22C	2/2-way valve, normally closed

Connection, valve	
G14	G $\frac{1}{4}$
G38	G $\frac{3}{8}$
G12	G $\frac{1}{2}$
G34	G $\frac{3}{4}$
G1	G1
G114	G1 $\frac{1}{4}$
G112	G1 $\frac{1}{2}$
G2	G2

Electrical connection	
F4	With armature tube for solenoid coil MD-2- ... -PA
F5	With armature tube for solenoid coil MH-2- ... -PA

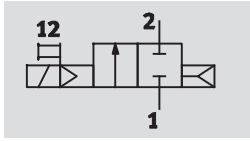
Housing material	
R1	Stainless steel casting
	Brass

# Solenoid valves VZWM-L

FESTO

Technical data

Function



Flow rate

1,400 ... 31,000 l/min

Voltage

24 V DC  
110/230 V AC



General technical data									
Connection, valve		G1/4	G3/8	G1/2	G3/4	G1	G1 1/4	G1 1/2	G2
Nominal size DN (housing: brass)		[mm]	13.5	13.5	13.5	27.5	27.5	40	50
Nominal size DN (housing: stainless steel casting)		[mm]	13	13	13	25	25	40	50
Valve function			2/2, single solenoid						
Constructional design			Poppet valve with diaphragm control						
Sealing principle			Soft						
Actuation type			Electrical						
Reset method			Pneumatic spring						
Control type			Piloted						
Direction of flow			Non-reversible						
Exhaust function			No flow control						
Manual override			None						
Type of mounting			In-line installation						
Mounting position			Preferably vertical						
Standard nominal flow rate		[l/min]	1,400	2,100	2,400	10,000	11,700	24,000	31,000
Flow rate Kv		[m <sup>3</sup> /h]	1.6	2	2.4	8.5	10.7	21.3	39
C value		[l/sbar]	6	8.8	9.8	39	41	75	110
b value			0.3	0.35	0.37	0.5	0.57	0.6	0.68
Differential pressure		[bar]	0.5	0.5	0.5	0.5	0.7	0.7	0.7
Product weight	Brass housing	[g]	500	480	450	1,270	1,200	2,850	3,800
	Stainless steel casting housing	[g]	400	400	330	1,200	1,100	2,650	3,660
Materials	Housing		Brass or stainless steel casting						
	Diaphragm		NBR						
	Plunger tube		High-alloy steel						
Note on materials			Contains paint wetting impairment substances						
Max. tightening torque	Connecting thread	[Nm]	35	60	105	200	350	450	620
	Cover screw	[Nm]	20	20	20	30	30	30	30
	Coil mounting	[Nm]	2	2	2	2	2	2	2

# Solenoid valves VZWM-L



Technical data

Operating and environmental conditions										
Connection, valve			G1/4	G3/8	G1/2	G3/4	G1	G1 1/4	G1 1/2	G2
Operating medium			Compressed air in accordance with ISO 8573-1:2010 [7:4:4]							
			Neutral liquids							
			Inert gases							
			Water							
Note on operating/pilot medium			Operation with lubricated medium required							
Ambient temperature <sup>1)</sup>			[°C]	-10 ... +60						
Operating pressure, valve			Gases	[bar]	0.5 ... 10			0.7 ... 10		
			Fluids	[bar]	0.5 ... 6			0.7 ... 6		
Medium pressure			Gases	[bar]	0.5 ... 10			0.7 ... 10		
			Fluids	[bar]	0.5 ... 6			0.7 ... 6		
Temperature of medium			Gases	[°C]	-10 ... +60					
			Fluids	[°C]	5 ... 50					
Max. viscosity			[mm <sup>2</sup> /s]	22						
CE mark (see declaration of conformity)			To EU Pressure Equipment Directive							
Corrosion resistance class CRC <sup>2)</sup>			Brass	1						
			Stainless steel casting	3						

1) Note ambient temperature of solenoid coils

2) Corrosion resistance class 1 to Festo standard 940 070

Components requiring low corrosion resistance. Transport and storage protection. Parts that do not have primarily decorative surface requirements, e.g. in internal areas that are not visible or behind covers.

Corrosion resistance class 3 to Festo standard 940 070

Components with heavy corrosion exposure. Externally visible components in direct contact with normal industrial atmosphere or media such as solvents and cleaning agents, where the surface requirement is predominantly functional.

Valve response times												
Connection, valve			G1/4	G3/8	G1/2	G3/4	G1	G1 1/4	G1 1/2	G2		
Gases												
Response time			off	[ms]	10	10	10	12	12	20	20	21
			on	[ms]	8	8	8	15	15	26	26	62
Fluids												
Response time			off	[ms]	200	210	220	930	930	1,900	2,000	2,800
			on	[ms]	100	110	110	400	400	1,400	1,400	2,100
Response time, variant R1			off	[ms]	210	190	200	950	950	1,900	2,000	2,800
			on	[ms]	80	110	110	420	300	1,400	1,400	2,100

Electrical data											
Connection, valve			G1/4	G3/8	G1/2	G3/4	G1	G1 1/4	G1 1/2	G2	
Electrical connection			With armature tube for solenoid coil MD-2- ... -PA, order separately					With armature tube for solenoid coil MH-2- ... -PA, order separately			
Operating voltage			DC voltage	[V DC]	24						
			AC voltage	[V AC]	110/230 (50 ... 60 Hz)						
Coil characteristics			DC voltage	[W]	6.8				7.9		
			AC voltage	[VA]	Pull: 14.5 Hold: 10.5				14		
Protection class to EN 60529			IP65 (with plug socket)								

# Solenoid valves VZWM-L

Technical data

Weights [g]			
Brass housing		Stainless steel casting housing	
VZWM-...-G14-F4	500	VZWM-...-G14-F5-R1	400
VZWM-...-G38-F4	480	VZWM-...-G38-F5-R1	400
VZWM-...-G12-F4	450	VZWM-...-G12-F5-R1	360
VZWM-...-G34-F4	1,270	VZWM-...-G34-F5-R1	1,200
VZWM-...-G1-F4	1,200	VZWM-...-G1-F5-R1	1,100
VZWM-...-G114-F5	2,850	VZWM-...-G114-F5-R1	2,650
VZWM-...-G112-F5	2,570	VZWM-...-G112-F5-R1	2,400
VZWM-...-G2-F5	3,800	VZWM-...-G2-F5-R1	3,660

# Solenoid valves VZWM-L

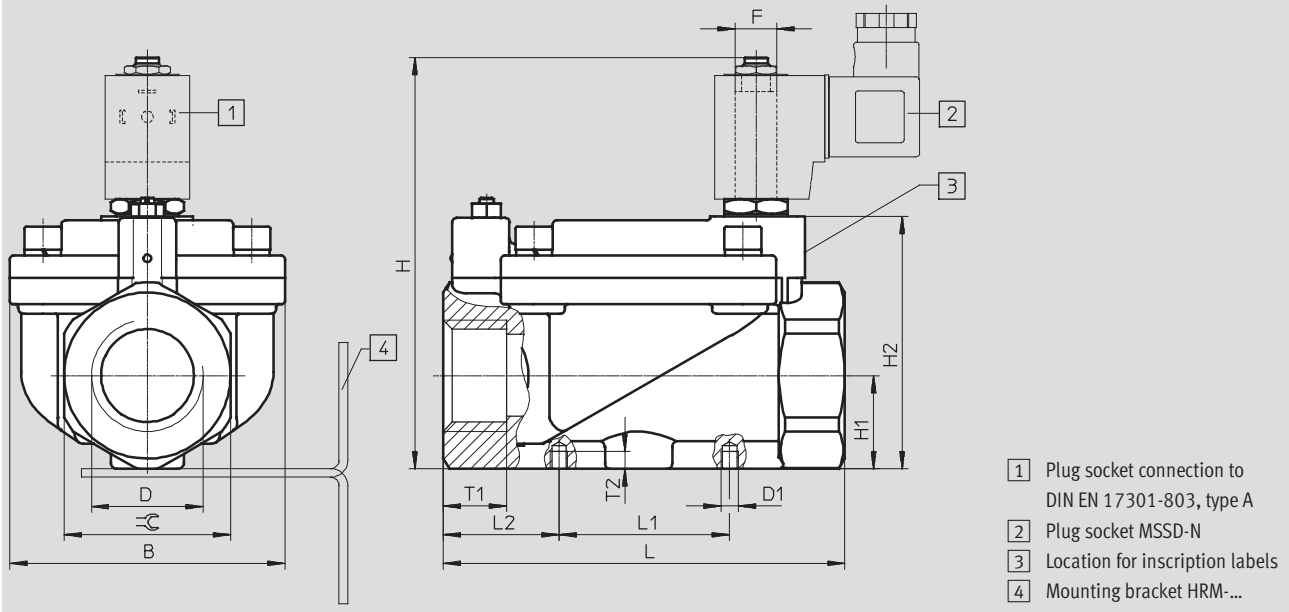
Technical data

FESTO

## Dimensions

Download CAD Data → [www.festo.com/us/cad](http://www.festo.com/us/cad)

2/2-way valve



- 1 Plug socket connection to DIN EN 17301-803, type A
- 2 Plug socket MSSD-N
- 3 Location for inscription labels
- 4 Mounting bracket HRM-...

Type	B ±1.5	D	D1	H ±2	H1 ±1.5	H2 ±1	L ±2	L1 ±1.5	L2	F	T1	T2 ±0.5	↻
VZWM-...-G14-F4	48	G $\frac{1}{4}$	M4	85.5	15	49	67	25	21	F4	12	4	27
VZWM-...-G38-F4	48	G $\frac{3}{8}$	M4	85.5	15	49	67	25	21	F4	12	4	27
VZWM-...-G12-F4	48	G $\frac{1}{2}$	M4	85	15	49	67	25	21	F4	12	4	27
VZWM-...-G34-F4	70	G $\frac{3}{4}$	M6	107	24.2	70.5	96	40	28	F4	16	6	41
VZWM-...-G1-F4	70	G1	M6	107	24.2	70.5	96	40	28	F4	16	6	41
VZWM-...-G114-F5	96	G1 $\frac{1}{4}$	M6	143.5	32.5	88	140	59.5	40.25	F5	22	6	58
VZWM-...-G112-F5	96	G1 $\frac{1}{2}$	M6	143.5	32.5	88	140	59.5	40.25	F5	22	6	58
VZWM-...-G2-F5	112	G2	M6	159	38.5	103.5	168	59.5	54.25	F5	25	6	70
VZWM-...-G14-F5-R1	44	G $\frac{1}{4}$	M4	106	15.6	51	67	25	21	F5	-	4	27
VZWM-...-G38-F5-R1	44	G $\frac{3}{8}$	M4	106	15.6	51	67	25	21	F5	-	4	27
VZWM-...-G12-F5-R1	44	G $\frac{1}{2}$	M4	106	15.6	51	67	25	21	F5	-	4	27
VZWM-...-G34-F5-R1	70	G $\frac{3}{4}$	M6	126	24.2	70	96	40	28	F5	-	6	41
VZWM-...-G1-F5-R1	70	G1	M6	126	24.2	70	96	40	28	F5	-	6	41
VZWM-...-G114-F5-R1	96	G1 $\frac{1}{4}$	M6	145	34	89.5	140	59.5	40.25	F5	-	6	58
VZWM-...-G112-F5-R1	96	G1 $\frac{1}{2}$	M6	145	34	89.5	140	59.5	40.25	F5	-	6	58
VZWM-...-G2-F5-R1	112	G2	M6	159	38.5	104	168	59.5	54.25	F5	-	6	70

## Ordering data

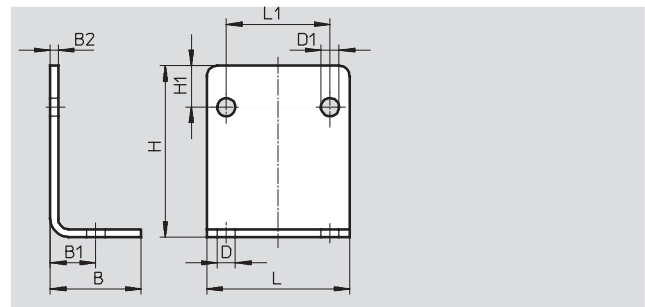
Connection, valve	Brass housing		Stainless steel casting housing	
	Part No.	Type	Part No.	Type
G $\frac{1}{4}$	546 146	VZWM-L-M22C-G14-F4	546162	VZWM-L-M22C-G14-F5-R1
G $\frac{3}{8}$	546 147	VZWM-L-M22C-G38-F4	546163	VZWM-L-M22C-G38-F5-R1
G $\frac{1}{2}$	546 148	VZWM-L-M22C-G12-F4	546164	VZWM-L-M22C-G12-F5-R1
G $\frac{3}{4}$	546 149	VZWM-L-M22C-G34-F4	546165	VZWM-L-M22C-G34-F5-R1
G1	546 150	VZWM-L-M22C-G1-F4	546166	VZWM-L-M22C-G1-F5-R1
G1 $\frac{1}{4}$	546 151	VZWM-L-M22C-G114-F5	546167	VZWM-L-M22C-G114-F5-R1
G1 $\frac{1}{2}$	546 152	VZWM-L-M22C-G112-F5	546168	VZWM-L-M22C-G112-F5-R1
G2	546 153	VZWM-L-M22C-G2-F5	546169	VZWM-L-M22C-G2-F5-R1

# Solenoid valves VZWM-L

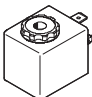
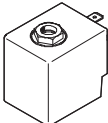
Accessories

## Mounting bracket HRM

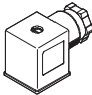
Material:  
Galvanised steel



Dimensions and ordering data											
B	B1	B2	D	D1	H	H1	L	L1	Weight [g]	Part No.	Type
25	12.5	2	6	5	37	10	40	25	39	9 769	HRM-1
35	17.5	3	7	7	66	16	55	40	130	9 770	HRM-2
47	23.5	3	9	7	87	23	75	59.5	246	9 771	HRM-3

Ordering data – Solenoid coils				Technical data → Internet: md, mh	
	Voltage	Part No.	Type		
Solenoid coil for VZWM- ... -F4- ... <sup>1)</sup>					
	24 V DC	549 903	MD-2-24VDC-PA		
	110 V AC, 50 ... 60 Hz	549 904	MD-2-110VAC-PA		
	230 V AC, 50 ... 60 Hz	549 905	MD-2-230VAC-PA		
Solenoid coil for VZWM- ... -F5- ... <sup>1)</sup>					
	24 V DC	549 906	MH-2-24VDC-PA		
	110 V AC, 50 ... 60 Hz	549 907	MH-2-110VAC-PA		
	230 V AC, 50 ... 60 Hz	549 908	MH-2-230VAC-PA		

1) Ambient temperature -20 ... +50 °C

Ordering data – Plug socket				Technical data → Internet: mssd	
		Part No.	Type		
	3-pin, square design MSF	550 067	MSSD-N		

# Product Range and Company Overview

## A Complete Suite of Automation Services

Our experienced engineers provide complete support at every stage of your development process, including: conceptualization, analysis, engineering, design, assembly, documentation, validation, and production.



**Custom Automation Components**  
Complete custom engineered solutions



**Custom Control Cabinets**  
Comprehensive engineering support and on-site services



**Complete Systems**  
Shipment, stocking and storage services

## The Broadest Range of Automation Components

With a comprehensive line of more than 30,000 automation components, Festo is capable of solving the most complex automation requirements.



**Electromechanical**  
Electromechanical actuators, motors, controllers & drives



**Pneumatics**  
Pneumatic linear and rotary actuators, valves, and air supply



**PLCs and I/O Devices**  
PLC's, operator interfaces, sensors and I/O devices

## Supporting Advanced Automation... As No One Else Can!

Festo is a leading global manufacturer of pneumatic and electromechanical systems, components and controls for industrial automation, with more than 12,000 employees in 56 national headquarters serving more than 180 countries. For more than 80 years, Festo has continuously elevated the state of manufacturing with innovations and optimized motion control solutions that deliver higher performing, more profitable automated manufacturing and processing equipment. Our dedication to the advancement of automation extends beyond technology to the education and development of current and future automation and robotics designers with simulation tools, teaching programs, and on-site services.

## Quality Assurance, ISO 9001 and ISO 14001 Certifications

Festo Corporation is committed to supply all Festo products and services that will meet or exceed our customers' requirements in product quality, delivery, customer service and satisfaction.

To meet this commitment, we strive to ensure a consistent, integrated, and systematic approach to management that will meet or exceed the requirements of the ISO 9001 standard for Quality Management and the ISO 14001 standard for Environmental Management.



© Copyright 2008, Festo Corporation. While every effort is made to ensure that all dimensions and specifications are correct, Festo cannot guarantee that publications are completely free of any error, in particular typing or printing errors. Accordingly, Festo cannot be held responsible for the same. For Liability and Warranty conditions, refer to our "Terms and Conditions of Sale", available from your local Festo office. All rights reserved. No part of this publication may be reproduced, distributed, or transmitted in any form or by any means, electronic, mechanical, photocopying or otherwise, without the prior written permission of Festo. All technical data subject to change according to technical update.



Printed on recycled paper at New Horizon Graphic, Inc., FSC certified as an environmentally friendly printing plant.



# Festo North America

## Festo Regional Contact Center

5300 Explorer Drive  
Mississauga, Ontario L4W 5G4  
Canada

### USA Customers:

For ordering assistance,

**Call:** 1.800.99.FESTO (1.800.993.3786)

**Fax:** 1.800.96.FESTO (1.800.963.3786)

**Email:** [customer.service@us.festo.com](mailto:customer.service@us.festo.com)

For technical support,

**Call:** 1.866.GO.FESTO (1.866.463.3786)

**Fax:** 1.800.96.FESTO (1.800.963.3786)

**Email:** [product.support@us.festo.com](mailto:product.support@us.festo.com)

### Canadian Customers:

**Call:** 1.877.GO.FESTO (1.877.463.3786)

**Fax:** 1.877.FX.FESTO (1.877.393.3786)

**Email:** [festo.canada@ca.festo.com](mailto:festo.canada@ca.festo.com)

---

## USA Headquarters

Festo Corporation  
395 Moreland Road  
P.O. Box 18023  
Hauppauge, NY 11788, USA  
[www.festo.com/us](http://www.festo.com/us)

---

## USA Sales Offices

### Appleton

North 922 Tower View Drive, Suite N  
Greenville, WI 54942, USA

### Boston

120 Presidential Way, Suite 330  
Woburn, MA 01801, USA

### Chicago

1441 East Business Center Drive  
Mt. Prospect, IL 60056, USA

### Dallas

1825 Lakeway Drive, Suite 600  
Lewisville, TX 75057, USA

### Detroit – Automotive Engineering Center

2601 Cambridge Court, Suite 320  
Auburn Hills, MI 48326, USA

### New York

395 Moreland Road  
Hauppauge, NY 11788, USA

### Silicon Valley

4935 Southfront Road, Suite F  
Livermore, CA 94550, USA

## United States



**USA Headquarters, East:** Festo Corp., 395 Moreland Road, Hauppauge, NY 11788

Phone: 1.631.435.0800; Fax: 1.631.435.8026;

Email: [info@festo-usa.com](mailto:info@festo-usa.com)

[www.festo.com/us](http://www.festo.com/us)

## Canada



**Headquarters:** Festo Inc., 5300 Explorer Drive, Mississauga, Ontario L4W 5G4

Phone: 1.905.624.9000; Fax: 1.905.624.9001;

Email: [festo.canada@ca.festo.com](mailto:festo.canada@ca.festo.com)

[www.festo.ca](http://www.festo.ca)

## Mexico



**Headquarters:** Festo Pneumatic, S.A., Av. Ceylán 3, Col. Tequesquahuac,  
54020 Tlalneantla, Edo. de México

Phone: 011 52 [55] 53 21 66 00; Fax: 011 52 [55] 53 21 66 65;

Email: [festo.mexico@mx.festo.com](mailto:festo.mexico@mx.festo.com)

[www.festo.com/mx](http://www.festo.com/mx)

---

## Central USA

Festo Corporation  
1441 East Business  
Center Drive  
Mt. Prospect, IL 60056, USA  
Phone: 1.847.759.2600  
Fax: 1.847.768.9480



## Western USA

Festo Corporation  
4935 Southfront Road,  
Suite F  
Livermore, CA 94550, USA  
Phone: 1.925.371.1099  
Fax: 1.925.245.1286



---

## Festo Worldwide

Argentina Australia Austria Belarus Belgium Brazil Bulgaria Canada Chile China Colombia Croatia Czech Republic Denmark  
Estonia Finland France Germany Great Britain Greece Hong Kong Hungary India Indonesia Iran Ireland Israel Italy Japan Latvia  
Lithuania Malaysia Mexico Netherlands New Zealand Norway Peru Philippines Poland Romania Russia Serbia Singapore  
Slovakia Slovenia South Africa South Korea Spain Sweden Switzerland Taiwan Thailand Turkey Ukraine United States Venezuela

[www.festo.com](http://www.festo.com)