

Valve series VOFD

FESTO



Solenoid valves VOFD

Key features

FESTO

General information

- The valves in the VOFD series are special 3/2-way valves for the area of process automation for use in chemical and petrochemical plants, where they are frequently used as pilot valves for butterfly valves and drives. Their sturdy design and high resistance to corrosion make these valves suitable for outdoor use under harsh ambient conditions.
- The NAMUR flange pattern makes the solenoid valves especially suitable for quarter-turn actuators. The integrated spring chamber venting protects quarter-turn actuators with spring return (single-acting cylinders and drives) against contaminated ambient air and weather influences such as rain.
- With German Technical Control Board (TÜV) approval up to AK7/SIL-4

Function, design

- 3/2-way directly actuated poppet valves

Safety

- Can be used in emergency shutdown (ESD) applications
- Suitable for use in safety-related systems up to and including SIL4 to IEC 61508

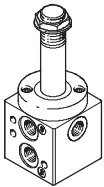
Sturdy

- The surface of the valve housing is treated with hard Ematal. This treatment involves converting the aluminium surface into a very hard aluminium oxide layer with titanium oxide intercalations. This makes the valves very resistant to wear and abrasion and gives them first-class sliding qualities. This provides optimum protection against atmospheric and chemical influences
- You can find information on the media resistance of the product at → www.festo.com

Economical

- One valve, two connection options
- Port pattern to NAMUR for direct mounting of a drive as well as G and NPT threaded connections
- Manual override can be ordered optionally
- Manual override can be retrofitted and removed again – no additional valve version required

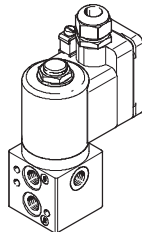
VOFD – Basic valves



- 3/2-way valves
- G $\frac{1}{4}$, NPT $\frac{1}{4}$ connections
- NAMUR port pattern, NAMUR port pattern with P duct

→ Page 7

VOFD – Solenoid valves



- Combination of VOFD basic valve and VACC-S18 coil
- 3/2-way valves
- Ignition protection types Ex emb II

→ Page 13

Accessories for VOFD valves

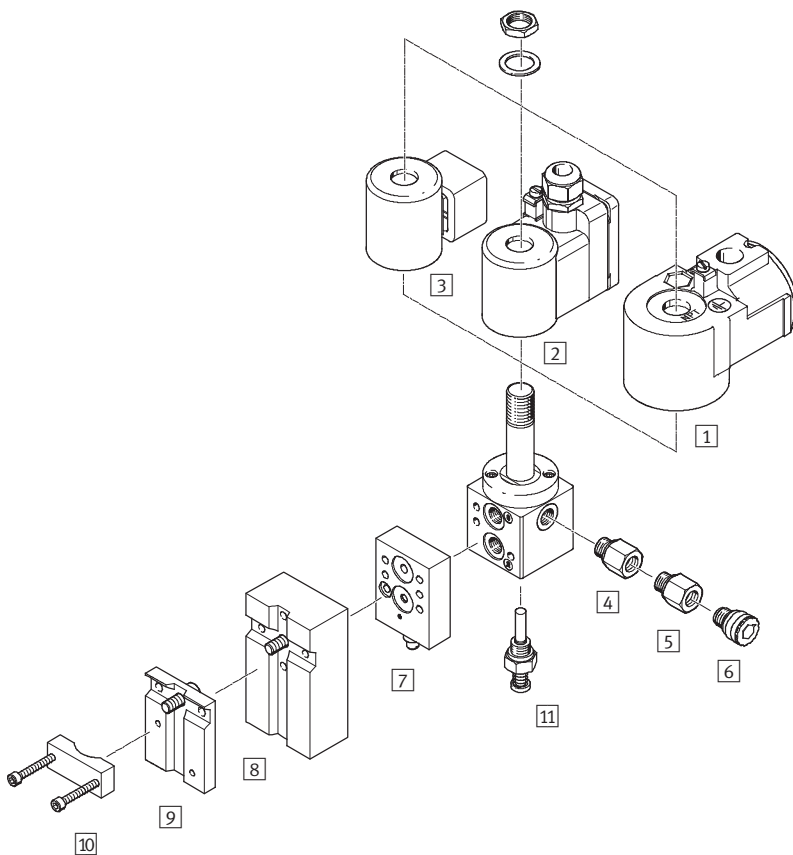


- Flow control plates
- Exhaust protection
- Manual override

→ Page 17

Solenoid valves VOFD

Overview of peripherals



Mounting attachments and accessories			
	Brief description	→ Page/Internet	
1	Solenoid coil VACC-S18	Standard solenoid	19
2	Solenoid coil VACC-S18-me	Ex-emb solenoid	17
3	Solenoid coil VACC-S18-d	Ex-d solenoid	22
4	Adapter NPFV-AF-G14-N14-MF	Adapter from G $\frac{1}{4}$ to NPT $\frac{1}{4}$, with filter	26
5	Adapter NPFV-AF-G14-G14-MF	Adapter from G $\frac{1}{4}$ to G $\frac{1}{4}$, with filter	26
6	Exhaust protection VABD-D3-SN-G14	Exhaust protection to IP65. The spring chamber of drive 8 solenoid valve is protected against the ingress of aggressive ambient air and water by the one-way flow control system	26
7	Flow control plate VABF-S7-F1B5P1-F	Exhaust air flow control plate for NAMUR interface for installation between the solenoid valve and single-acting drives	24
8	Connection plate kit VABF-S7-S-G14	Mounting plate for attaching the valve to a NAMUR rib	25
9	Mounting plate VAME-S7-P	Mounting plate for attaching the valve to a NAMUR rib	24
10	Mounting bracket VAME-S7-Y	Alternative option (instead of screw) for attaching the valve to a NAMUR rib with the help of a mounting bracket	25
11	Hand lever VAOH-S8	Manual override	27

Solenoid valves VOFD

Type codes

VOFD - LT - M32 - MN - G14 - 1 - A1 -

Type

VOFD	Solenoid valves
------	-----------------

Directional control valve type, design principle

LT	In-line valve, poppet valve
----	-----------------------------

Valve function

M32	Universal valves
-----	------------------

Reset method for single solenoid valves

MN	Mechanical spring without pilot air
----	-------------------------------------

Pneumatic connection

G14	G $\frac{1}{4}$
N14	NPT $\frac{1}{4}$
FG14	NAMUR G $\frac{1}{4}$
FGP14	NAMUR G $\frac{1}{4}$ with P connection

Nominal operating voltage

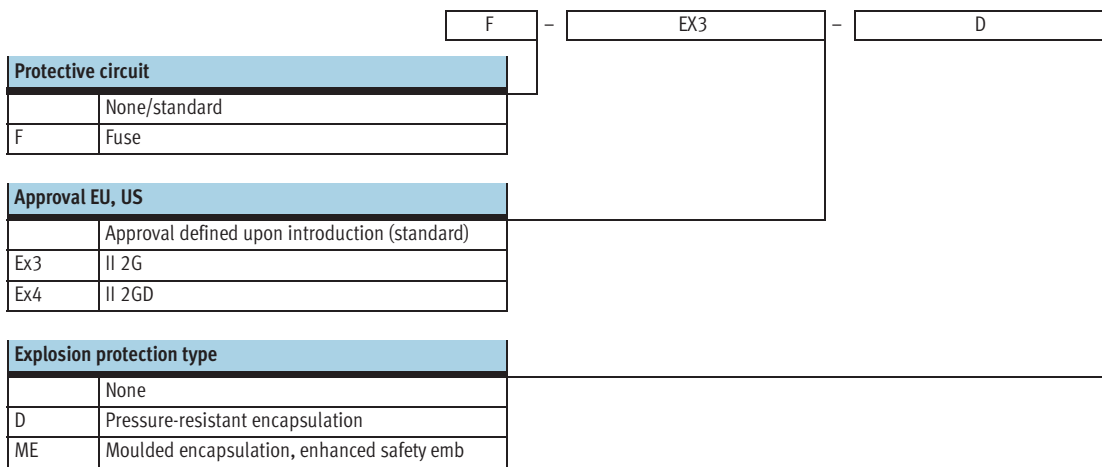
	Without solenoid coil/not relevant
1	24 V DC
1U	24 V DC and AC
2A	110 V AC/50-60 Hz
2U	110 V DC and AC
3A	230 V AC/50-60 Hz
3U	230 V DC and AC
1A	24 V AC

Electrical connection

A1	Port pattern type A, to EN 175 301
K4	Cable connector M20
F10	Armature tube for solenoid coil 18

Solenoid valves VOFD

Type codes



Solenoid coils VACC-S18

Type codes

VACC - S18 - A1 - 1 - F - - -

Type

VACC	Solenoid coil
------	---------------

Solenoid coil type

S18	Shaft 18 mm
-----	-------------

Electrical connection

A1	Port pattern type A, to EN 175 301
K4	Cable connector M20
K5	Cable connector NPT

Nominal operating voltage

1	24 V DC
1A	24 V AC
1U	24 V DC and AC
2A	110 V AC/50-60 Hz
2U	110 V DC and AC
3A	230 V AC/50-60 Hz
3U	230 V DC and AC

Protective circuit

	None
F	Fuse

Approval EU, US

Ex3	II2G
Ex4	II2GD

Explosion protection type

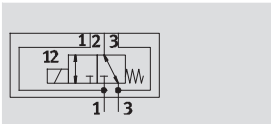
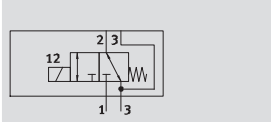
D	Pressure-resistant encapsulation
ME	Moulded encapsulation, enhanced safety
A	Intrinsically safe

Basic valves VOFD

Technical data – 3/2-way valves, G $\frac{1}{4}$ and NAMUR

Function
3/2-way valve

Flow rate
450 l/min



General technical data		G $\frac{1}{4}$ basic valve and NAMUR	G $\frac{1}{4}$ basic valve and NAMUR, P connection
Valve function		3/2-way, closed, single solenoid	
Pneumatic connection	1	G $\frac{1}{4}$	NAMUR port pattern
	2	G $\frac{1}{4}$ and NAMUR port pattern	
	3	G $\frac{1}{4}$	
	4	G $\frac{1}{4}$ and NAMUR port pattern	
Design	Directly actuated poppet valve		
Width	[mm]	51	
Mounting position	Any		
Duty cycle	100%		
Sealing principle	Soft		
Manual override	None		
Reset method	Mechanical spring		
Actuation type	Electric		
Suitable for vacuum	Yes		
Type of control	Direct		
Flow rate for piston valve pressurisation	[m 3 /h]	0.36	
Flow rate for piston valve exhausting	[m 3 /h]	0.36	
Direction of flow	Non-reversible		
Product weight	[g]	560	
Response time off	[ms]	9	
Response time on	[ms]	45	
Nominal size	[mm]	5	
Standard nominal flow rate	[l/min]	450	

Basic valves VOFD

Technical data – 3/2-way valves, G $\frac{1}{4}$ and NAMUR

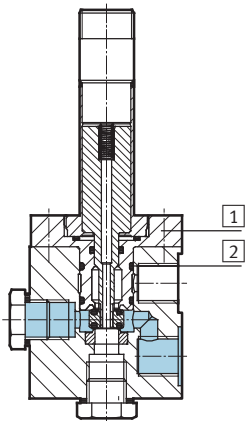
Operating and environmental conditions		G $\frac{1}{4}$ basic valve and NAMUR	G $\frac{1}{4}$ basic valve and NAMUR, P connection
Operating medium		Compressed air in accordance with ISO 8573-1:2010 [–:–:–]	
Protection class		IP65	
Operating pressure range	[bar]	0 ... 10	
Temperature of medium	[°C]	–10 ... 60	
Ambient temperature	[°C]	–10 ... 60	
Extended ambient temperature, Low Demand mode	[°C]	–25 ... 60	
Safety integrity level [SIL]		Up to SIL 4 Low Demand mode	
		Up to SIL 4 High Demand mode	
Corrosion resistance class CRC ¹⁾		4	

1) Corrosion resistance class 4 according to Festo standard 940 070

Components subject to particularly high corrosion stress. Parts used with aggressive media, e.g. in the food or chemical industry. These applications should be supported with special tests with the media if required.

Materials

Sectional view



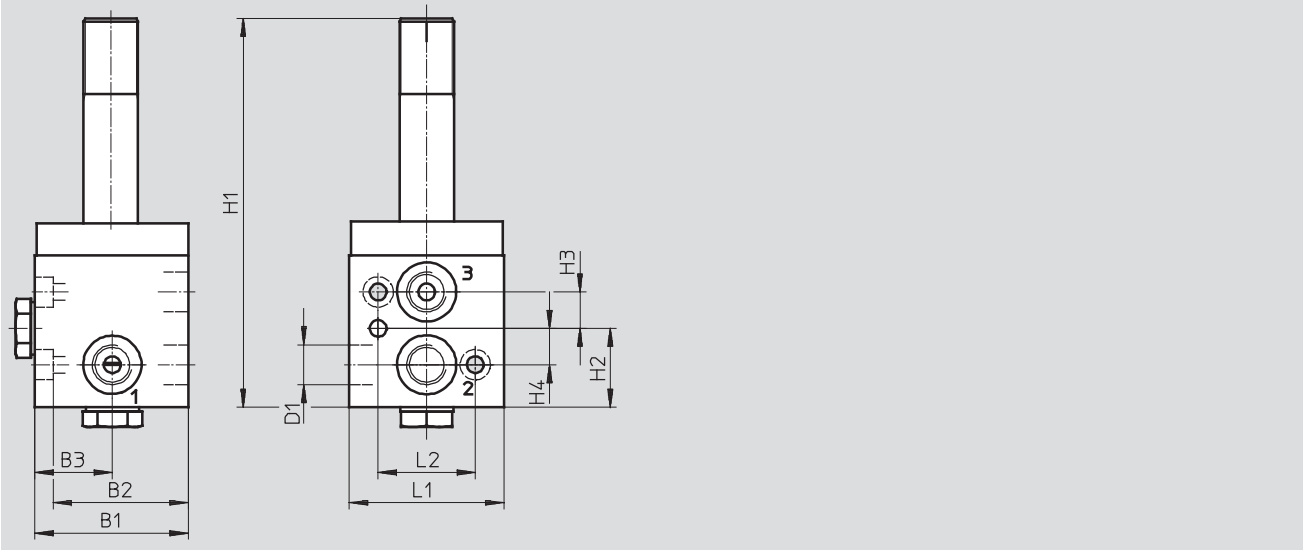
Solenoid valves	G $\frac{1}{4}$ basic valve and NAMUR	G $\frac{1}{4}$ basic valve and NAMUR, P connection
1) Housing	Hard Ematal-anodised aluminium	
2) Seals	Nitrile rubber	
– Note on materials	Contains PWIS (paint-wetting impairment substances), RoHS-compliant	

Basic valves VOFD

Technical data – 3/2-way valves, G³/₄ and NAMUR

Dimensions – G³/₄ basic valve and NAMUR

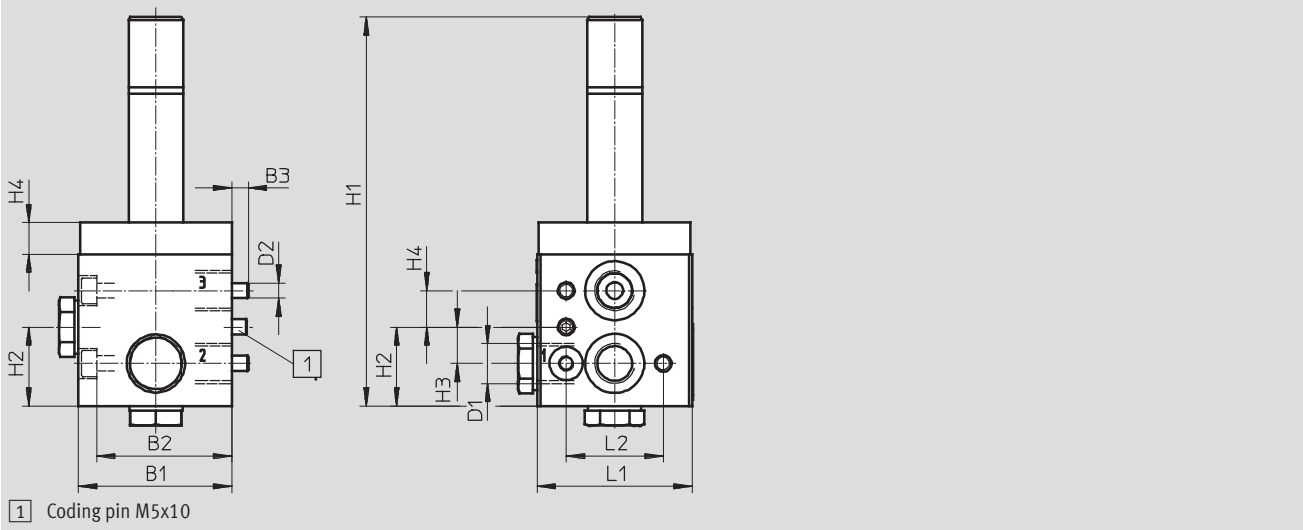
Download CAD Data → www.festo.com/us/cad



Type	B1	B2	B3	D1	H1	H2	H3	H4	L1	L2
VOFD-LT-M32-MN-FG14-F10	50.5	25.5	25.5	G ³ / ₄ , NAMUR	128.2	26	12	12	51	32

Dimensions – G³/₄ basic valve and NAMUR, P connection

Download CAD Data → www.festo.com/us/cad



Type	B1	B2	B3	D1	D2	H1	H2	H3	H4	L1	L2
VOFD-LT-M32-MN-FGP14-F10	50.5	44.5	5.5	G ³ / ₄ , NAMUR	M5	128.2	26	10.5	12	51	32

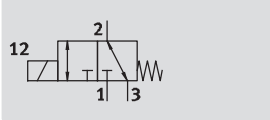
Basic valves VOFD

Technical data – 3/2-way valves, G $\frac{1}{4}$ and NPT $\frac{1}{4}$ -18

FESTO

Function
3/2-way valve

Flow rate
450 l/min



General technical data		G $\frac{1}{4}$ basic valve	NPT $\frac{1}{4}$ -18
Valve function		3/2-way, closed, single solenoid	
Pneumatic connection	1	G $\frac{1}{4}$	NPT $\frac{1}{4}$ -18
	2	G $\frac{1}{4}$	NPT $\frac{1}{4}$ -18
	3	G $\frac{1}{4}$	NPT $\frac{1}{4}$ -18
Design		Directly actuated poppet valve	
Width	[mm]	51	
Mounting position		Any	
Duty cycle		100%	
Sealing principle		Soft	
Manual override		None	
Reset method		Mechanical spring	
Actuation type		Electric	
Suitable for vacuum		Yes	
Type of control		Direct	
Flow rate for piston valve pressurisation	[m ³ /h]	0.36	
Flow rate for piston valve exhausting	[m ³ /h]	0.36	
Direction of flow		Reversible	
Product weight	[g]	560	
Response time off	[ms]	9	
Response time on	[ms]	45	
Nominal size	[mm]	5	
Standard nominal flow rate	[l/min]	450	

Operating and environmental conditions		G $\frac{1}{4}$ basic valve	NPT $\frac{1}{4}$ -18
Operating medium		Compressed air in accordance with ISO 8573-1:2010 [–:–:–]	
Protection class		IP65	
Operating pressure range	[bar]	0 ... 10	
Temperature of medium	[°C]	–10 ... 60	
Ambient temperature	[°C]	–10 ... 60	
Extended ambient temperature, Low Demand mode	[°C]	–25 ... 60	
Safety integrity level [SIL]		Up to SIL 4 Low Demand mode	
		Up to SIL 4 High Demand mode	
Corrosion resistance class CRC ¹⁾		4	

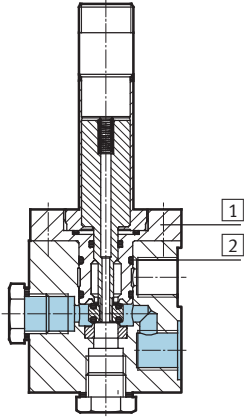
1) Corrosion resistance class 4 according to Festo standard 940 070
Components subject to particularly high corrosion stress. Parts used with aggressive media, e.g. in the food or chemical industry. These applications should be supported with special tests with the media if required.

Basic valves VOFD

Technical data – 3/2-way valves, G $\frac{1}{4}$ and NPT $\frac{1}{4}$ -18

Materials

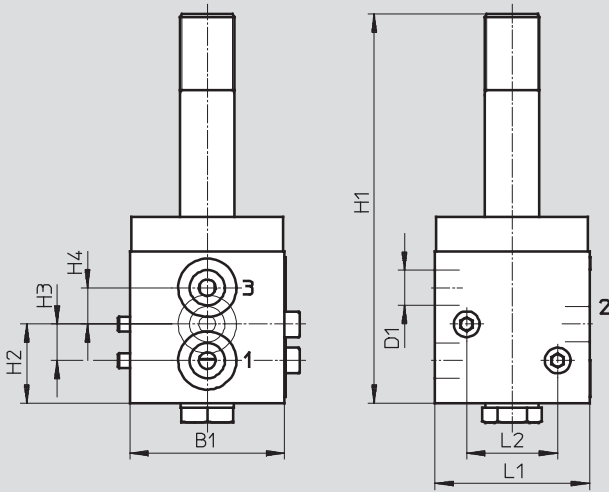
Sectional view



Solenoid valves	G $\frac{1}{4}$ basic valve	NPT $\frac{1}{4}$ -18
1 Housing	Hard Ematal-anodised aluminium	
2 Seals	Nitrile rubber	
- Note on materials	Contains PWIS (paint-wetting impairment substances), RoHS-compliant	

Dimensions

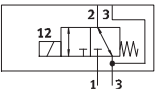
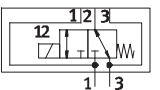
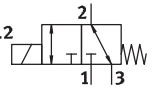
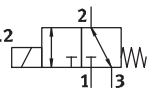
Download CAD Data → www.festo.com/us/cad



Type	B1	D1	H1	H2	H3	H4	L1	L2
VOFD-LT-M32-MN-G14-F10	51	G $\frac{1}{4}$	128.2	26	12	12	51	30
VOFD-LT-M32-MN-N14-F10	51	NPT $\frac{1}{4}$	128.2	26	12	12	51	30

Basic valves VOFD

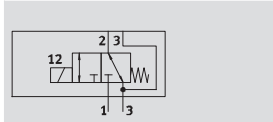
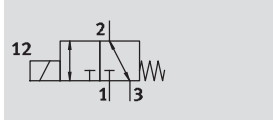
Technical data – 3/2-way valves, G $\frac{1}{4}$ and NPT $\frac{1}{4}$ -18

Ordering data				
Circuit symbol	Function	Pneumatic connection	Part No.	Type
Directly actuated poppet valve				
	3/2-way, closed, single solenoid	G $\frac{1}{4}$ and NAMUR	562 883	VOFD-LT-M32-MN-FG14-F10
	3/2-way, closed, single solenoid	NAMUR with P connection	570 786	VOFD-LT-M32-MN-FGP14-F10
	3/2-way, closed, single solenoid	G $\frac{1}{4}$	562 881	VOFD-LT-M32-MN-G14-F10
	3/2-way, closed, single solenoid	NPT $\frac{1}{4}$ -18	562 882	VOFD-LT-M32-MN-N14-F10

Solenoid valves VOFD

Technical data – 3/2-way valves, G $\frac{1}{4}$

Function
3/2-way valve



Flow rate
450 l/min

Voltage
24 V DC/AC



General technical data				
		G $\frac{1}{4}$ solenoid valve	NPT $\frac{1}{4}$ -18 solenoid valve	G $\frac{1}{4}$ solenoid valve and NAMUR
Valve function		3/2-way, closed, single solenoid		
Pneumatic connection	1	G $\frac{1}{4}$	NPT $\frac{1}{4}$ -18	G $\frac{1}{4}$
	2	G $\frac{1}{4}$	NPT $\frac{1}{4}$ -18	G $\frac{1}{4}$ and NAMUR port pattern
	3	G $\frac{1}{4}$	NPT $\frac{1}{4}$ -18	G $\frac{1}{4}$
	4	–	–	G $\frac{1}{4}$ and NAMUR port pattern
Design		Directly actuated poppet valve		
Width	[mm]	51		
Mounting position		Any		
Duty cycle		100%		
Sealing principle		Soft		
Manual override		None		
Reset method		Mechanical spring		
Actuation type		Electric		
Electrical connection		Terminal box, cable entry thread M20x1.5		
Permissible voltage fluctuations		–15%/+10%		
Coil characteristics	DC voltage 24 V	[W]	3.5	
	AC voltage 24 V	[VA]	3.5	
Suitable for vacuum		Yes		
Type of control		Direct		
Flow rate for piston valve pressurisation		[m 3 /h]	0.36	
Flow rate for piston valve exhausting		[m 3 /h]	0.36	
Direction of flow		Non-reversible		G $\frac{1}{4}$ + NPT: reversible, G $\frac{1}{4}$ + Namur: non-reversible
Product weight	[g]	1,140		
Response time off	[ms]	9		
Response time on	[ms]	45		
Nominal size	[mm]	5		
Standard nominal flow rate	[l/min]	450		

Solenoid valves VOFD

Technical data – 3/2-way valves, G $\frac{1}{4}$

FESTO

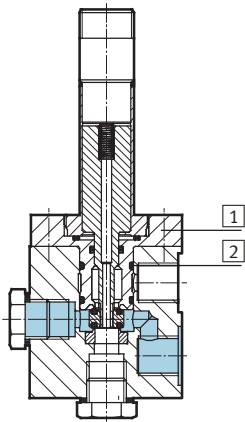
Operating and environmental conditions		G $\frac{1}{4}$ solenoid valve	NPT $\frac{1}{4}$ solenoid valve	G $\frac{1}{4}$ solenoid valve and NAMUR
Operating medium		Compressed air in accordance with ISO 8573-1:2010 [–:–:–]		
Protection class		IP65		
Operating pressure range	[bar]	0 ... 10		
Temperature of medium	[°C]	–10 ... 60		
Ambient temperature	[°C]	–10 ... 60		
Extended ambient temperature, Low Demand mode	[°C]	–25 ... 60		
ATEX category for gas		II 2G		
ATEX category for dust		II 2D		
Explosion ignition protection type for gas		Ex emb II T6, T5		
Explosion ignition protection type for dust		Ex tD A21 IP65 T80°C, T95°C		
Explosion-proof temperature rating	T80°C	–20°C ≤ Ta ≤ +50°C		
	T95°C	–20°C ≤ Ta ≤ +60°C		
Certificate issuing authority		PTB 08 ATEX 2033 X		
CE mark (see declaration of conformity)		To EU Explosion Protection Directive (ATEX)		
Safety integrity level	[SIL]	Up to SIL 4 Low Demand mode		
		Up to SIL 4 High Demand mode		
Corrosion resistance class CRC ¹⁾		4		

1) Corrosion resistance class 4 according to Festo standard 940 070

Components subject to particularly high corrosion stress. Parts used with aggressive media, e.g. in the food or chemical industry. These applications should be supported with special tests with the media if required.

Materials

Sectional view



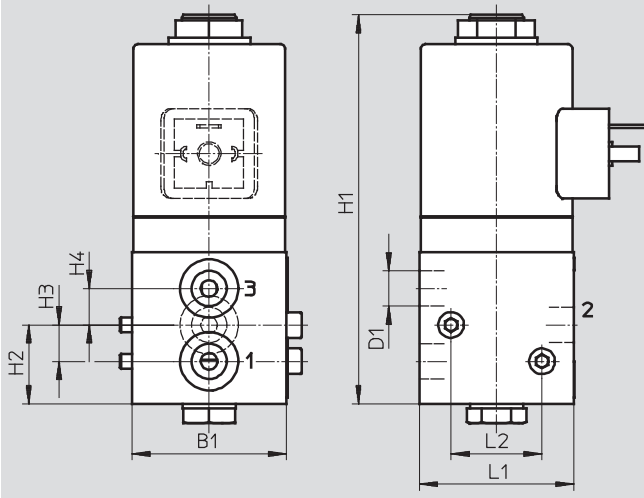
Solenoid valves		G $\frac{1}{4}$ solenoid valve	NPT $\frac{1}{4}$ solenoid valve	G $\frac{1}{4}$ solenoid valve and NAMUR
1	Housing	Hard Ematal-anodised aluminium		
2	Seals	Nitrile rubber		
–	Note on materials	Contains PWIS (paint-wetting impairment substances), RoHS-compliant		

Solenoid valves VOFD

Technical data – 3/2-way valves, G $\frac{1}{4}$

Dimensions

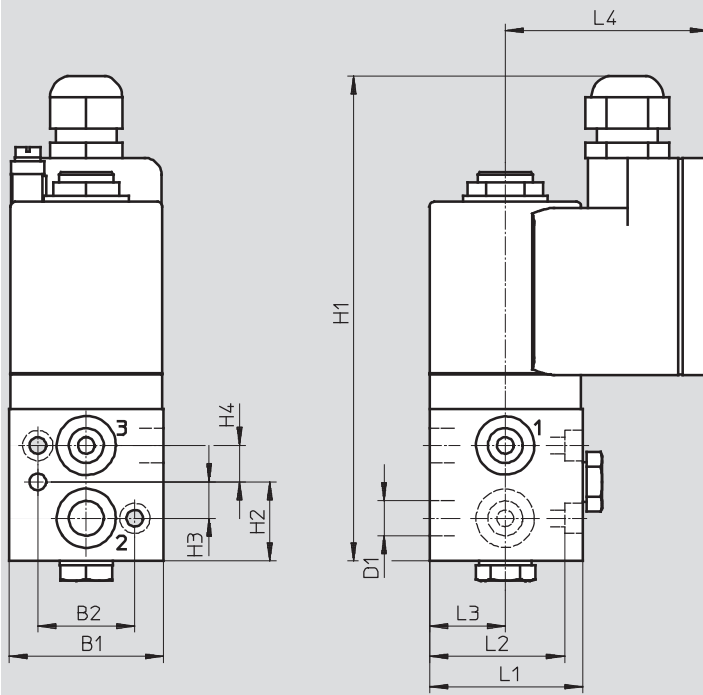
Download CAD Data → www.festo.com/us/cad



Type	B1	B2	D1	H1	H2	H3	H4	H5	H6	L1	L2
VOFD-LT-M32-MN-G14-1UK4-Ex4me	51	30	G $\frac{1}{4}$	159.8	38	26	14	14	12	51	67
VOFD-LT-M32-MN-N14-1UK4-Ex4me	51	30	NPT $\frac{1}{4}$	159.8	38	26	14	14	12	51	67

Dimensions

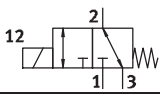
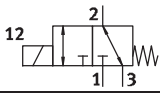
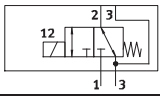
Download CAD Data → www.festo.com/us/cad



Type	B1	B2	D1	H1	H2	H3	H4	L1	L2	L3	L4
VOFD-LT-M32-MN-FG14-1UK4-Ex4me	51	32	NAMUR G $\frac{1}{4}$	159.8	26	12	12	50.5	44.5	25	67

Solenoid valves VOFD

Technical data – 3/2-way valves, G $\frac{1}{4}$

Ordering data					
Circuit symbol	Function	Pneumatic connection	Ex ignition protection type	Part No.	Type
Directly actuated poppet valve					
	3/2-way, closed, single solenoid	G $\frac{1}{4}$	Ex emb II T6, T5	562 884	VOFD-LT-M32-MN-G14-1UK4-Ex4me
	3/2-way, closed, single solenoid	NPT $\frac{1}{4}$	Ex emb II T6, T5	562 885	VOFD-LT-M32-MN-N14-1UK4-Ex4me
	3/2-way, closed, single solenoid	G $\frac{1}{4}$ and NAMUR	Ex emb II T6, T5	562 886	VOFD-LT-M32-MN-FG14-1UK4-Ex4me

Solenoid coils VACC-S18

Technical data

Voltage

24 V DC/AC

Temperature range

-20 ... +60 °C



General technical data				
Type	VACC-S18-K4-1U-Ex4me [24 V DC/AC]	VACC-S18-K4-2U-Ex4me [110 V DC/AC]	VACC-S18-K4-3U-Ex4me [230 V DC/AC]	VACC-S18-K4-1UF-Ex4me [24 V DC/AC]
Actuation type	Electric			
Mounting position	Any			
Duty cycle	[%]	100		
Electrical connection	Terminal box, cable entry thread M20x1.5			
Internal fuse protection	-			Fuse
Manual override	None			
Switching position display	No			
Product weight	[g]	580		
Note on materials	Contains PWIS (paint-wetting impairment substances), RoHS-compliant			
Information on solenoid coil materials	Polyamide, steel			
Coil characteristics	DC voltage 24 V	[W]	3.5	
	AC voltage 24 V	[VA]	3	

Operating and environmental conditions	
Protection class	IP65
Permissible voltage fluctuations	-1.5 %/+10 %
Ambient temperature	[°C] -20 ... 60
ATEX category for gas	II 2G
ATEX category for dust	II 2D
Explosion ignition protection type for gas	Ex emb II T6, T5
Explosion ignition protection type for dust	Ex tD A21 IP65 T80°C, T95°C
Explosion-proof temperature rating	T80°C -20°C ≤ Ta ≤ +50°C
	T95°C -20°C ≤ Ta ≤ +60°C
Certificate issuing authority	PTB 08 ATEX 2033 X
CE mark (see declaration of conformity)	To EU Explosion Protection Directive (ATEX)
Corrosion resistance class CRC ¹⁾	4

1) Corrosion resistance class 4 according to Festo standard 940 070
 Components subject to particularly high corrosion stress. Parts used with aggressive media, e.g. in the food or chemical industry. These applications should be supported with special tests with the media if required.

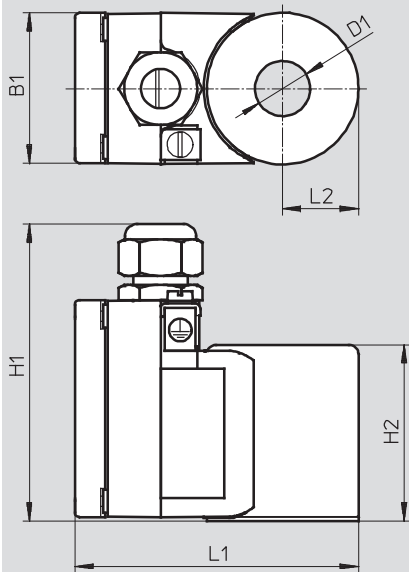
Materials	
Solenoid coils	
Housing	Steel, polyamide
Note on materials	RoHS-compliant, contains PWIS (paint-wetting impairment substances)

Solenoid coils VACC-S18

Technical data

Dimensions

Download CAD Data → www.festo.com/us/cad



Type	B1	D1 Ø	H1	H2	L1	L2
VACC-S18-K4-1U-Ex4me	50	18.2	100	58	95	25
VACC-S18-K4-2U-Ex4me	50	18.2	100	58	95	25
VACC-S18-K4-3U-Ex4me	50	18.2	100	58	95	25
VACC-S18-K4-1UF-Ex4me	50	18.2	100	58	95	25

Solenoid coils VACC-S18

Technical data

Voltage

24 V DC/AC

Temperature range

-20 ... +60 °C



General technical data			
Type	VACC-S18-K5-1U-Ex3D [24 V DC/AC]	VACC-S18-K5-2U-Ex3D [110 V DC/AC]	VACC-S18-K5-3U-Ex3D [230 V DC/AC]
Actuation type	Electric		
Mounting position	Any		
Duty cycle	[%]	100	
Electrical connection	Terminal box, cable entry thread NPT 1/2		
Manual override	None		
Switching position display	No		
Product weight	[g]	1,700	
Note on materials	Contains PWIS (paint-wetting impairment substances), RoHS-compliant		
Information on solenoid coil materials	Wrought aluminium alloy, grey cast iron		
Coil characteristics	DC voltage 24 V	[W]	2.5
	AC voltage 24 V	[VA]	3.5

Operating and environmental conditions	
Protection class	IP65
Permissible voltage fluctuations	-1.5 %/+10 %
Ambient temperature	[°C] -20 ... 60
Operating pressure range	[bar] 0 ... 10
ATEX category for gas	II 2G
Explosion ignition protection type for gas	Ex d IIC T6, T5, T4
Explosion-proof temperature rating	T4 -20°C ≤ Ta ≤ +90°C
	T5 -20°C ≤ Ta ≤ +5°C
	T6 -20°C ≤ Ta ≤ +40°C
Certificate issuing authority	PTB 08 ATEX 1086
CE mark (see declaration of conformity)	To EU Explosion Protection Directive (ATEX)
Corrosion resistance class CRC ¹⁾	4

1) Corrosion resistance class 4 according to Festo standard 940 070
Components subject to particularly high corrosion stress. Parts used with aggressive media, e.g. in the food or chemical industry. These applications should be supported with special tests with the media if required.

Materials	
Solenoid coils	
Housing	Grey cast iron, wrought aluminium alloy
Note on materials	RoHS-compliant, contains PWIS (paint-wetting impairment substances)

Solenoid coils VACC-S18

Technical data

Voltage

24 V DC/AC

Temperature range

-20 ... +60 °C



General technical data			
Type	VACC-S18-K4-1U-Ex3D [24 V DC/AC]	VACC-S18-K4-2U-Ex3D [110 V DC/AC]	VACC-S18-K4-3U-Ex3D [230 V DC/AC]
Actuation type	Electric		
Mounting position	Any		
Duty cycle	[%]	100	
Electrical connection	Terminal box, cable entry thread M20x1.5		
Manual override	None		
Switching position display	No		
Product weight	[g]	1,700	
Note on materials	Contains PWIS (paint-wetting impairment substances), RoHS-compliant		
Information on solenoid coil materials	Wrought aluminium alloy, grey cast iron		
Coil characteristics	DC voltage 24 V	[W]	2.5
	AC voltage 24 V	[VA]	3.5

Operating and environmental conditions		
Protection class	IP65	
Permissible voltage fluctuations	-15 %/+10 %	
Ambient temperature	[°C] -20 ... 60	
Operating pressure range	[bar] 0 ... 10	
ATEX category for gas	II 2G	
Explosion ignition protection type for gas	Ex d IIC T6, T5, T4	
Explosion-proof temperature rating	T4	-20°C ≤ Ta ≤ +90°C
	T5	-20°C ≤ Ta ≤ +5°C
	T6	-20°C ≤ Ta ≤ +40°C
Certificate issuing authority	PTB 08 ATEX 1086	
CE mark (see declaration of conformity)	To EU Explosion Protection Directive (ATEX)	
Corrosion resistance class CRC ¹⁾	4	

1) Corrosion resistance class 4 according to Festo standard 940 070
Components subject to particularly high corrosion stress. Parts used with aggressive media, e.g. in the food or chemical industry. These applications should be supported with special tests with the media if required.

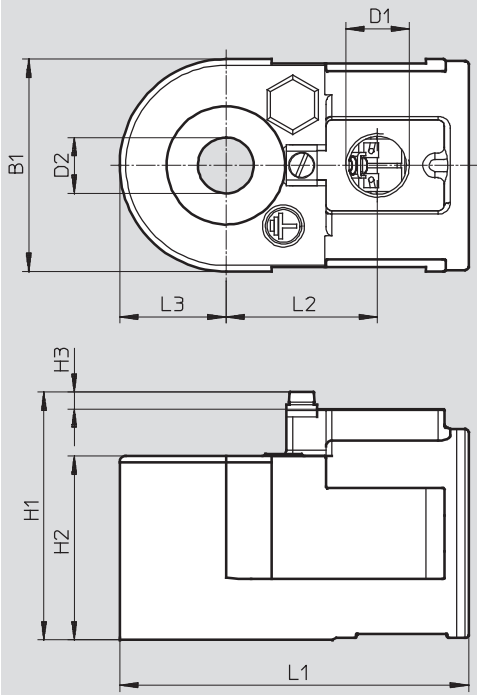
Materials	
Solenoid coils	
Housing	Grey cast iron, wrought aluminium alloy
Note on materials	RoHS-compliant, contains PWIS (paint-wetting impairment substances)

Solenoid coils VACC-S18

Technical data

Dimensions

Download CAD Data → www.festo.com/us/cad



Type	B1	D1	D2 ∅	H1	H2	H3	L1	L2	L3
VACC-S18-K4-1U-Ex3D	70	M20x1.5	18.2	82	60.5	6	115	50	35
VACC-S18-K4-2U-Ex3D	70	M20x1.5	18.2	82	60.5	6	115	50	35
VACC-S18-K4-3U-Ex3D	70	M20x1.5	18.2	82	60.5	6	115	50	35

Type	B1	D1	D2 ∅	H1	H2	H3	L1	L2	L3
VACC-S18-K5-1U-Ex3D	70	NPT 1/2	18.2	82	60.5	6	115	50	35
VACC-S18-K5-2U-Ex3D	70	NPT 1/2	18.2	82	60.5	6	115	50	35
VACC-S18-K5-3U-Ex3D	70	NPT 1/2	18.2	82	60.5	6	115	50	35

Solenoid coils VACC-S18

Technical data

Voltage

24 V DC/AC

Temperature range

-20 ... +60 °C



General technical data					
Type	VACC-S18-A1-1 [24 V DC]	VACC-S18-A1-1A [24 V AC]	VACC-S18-A1-2A [110 V AC]	VACC-S18-A1-3A [230 V AC]	
Actuation type	Electric				
Mounting position	Any				
Duty cycle	[%]	100			
Electrical connection	Plug design to EN 175301-803, type A				
Manual override	None				
Switching position display	No				
Product weight	[g]	530			580
Coil characteristics	DC voltage 24 V	[W]	3.5	-	-
	AC voltage 24 V	[VA]	-	5	-

Operating and environmental conditions	
Protection class	IP65
Permissible voltage fluctuations	-15 %/+10 %
Ambient temperature	[°C] -20 ... 60
Operating pressure range	[bar] 0 ... 10
Corrosion resistance class CRC ¹⁾	4

1) Corrosion resistance class 4 according to Festo standard 940 070

Components subject to particularly high corrosion stress. Parts used with aggressive media, e.g. in the food or chemical industry. These applications should be supported with special tests with the media if required.

Materials	
Housing	Steel, polyamide
Note on materials	RoHS-compliant, contains PWIS (paint-wetting impairment substances)

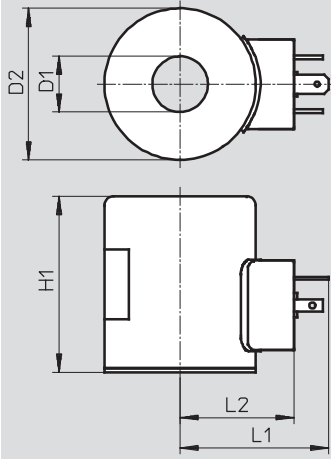
Solenoid coils VACC-S18

Technical data

FESTO

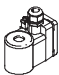
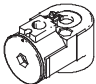

Dimensions

Download CAD Data → www.festo.com/us/cad



Type	D1 Ø	D2 Ø	H1	L1	L2
VACC-S18-A1-1	18.2	50	58	50	38
VACC-S18-A1-1A	18.2	50	58	50	38
VACC-S18-A1-2A	18.2	50	58	50	38
VACC-S18-A1-3A	18.2	50	58	50	38

Ordering data

		Part No.	Type
Ex-me coil			
		562 897	VACC-S18-K4-1U-Ex4me
		570 785	VACC-S18-K4-1UF-Ex4me
		562 898	VACC-S18-K4-2U-Ex4me
		562 899	VACC-S18-K4-3U-Ex4me
Ex-3D coil			
		562 900	VACC-S18-K5-1U-Ex3D
		562 901	VACC-S18-K5-2U-Ex3D
		562 902	VACC-S18-K5-3U-Ex3D
		562 903	VACC-S18-K4-1U-Ex3D
		562 904	VACC-S18-K4-2U-Ex3D
		562 905	VACC-S18-K4-3U-Ex3D
A1 coil			
		562 906	VACC-S18-A1-1
		562 907	VACC-S18-A1-1A
		562 908	VACC-S18-A1-2A
		562 909	VACC-S18-A1-3A

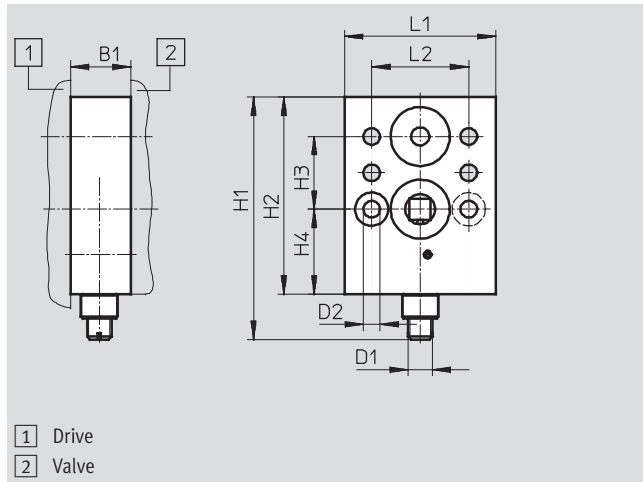
Solenoid valves

Accessories



Flow control plate

Material: Manifold rail:
Wrought aluminium alloy
Contains PWIS (paint-wetting
impairment substances),
RoHS-compliant

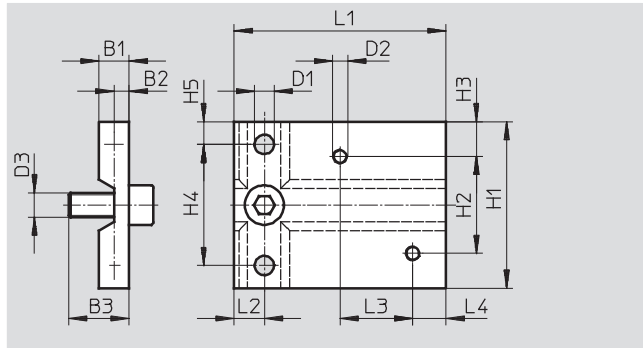


Dimensions [mm] and ordering data												Part No.	Type
B1	D1	D2	H1	H2	H3	H4	L1	L2	L3	CRC ¹⁾			
15	G $\frac{1}{4}$	5.5	73	56	12	32	50	24	13	3	563 401	VABF-S7-F1B5P1-F	

1) Corrosion resistance class 3 according to Festo standard 940 070
Components subject to high corrosion stress. External visible parts in direct contact with industrial atmospheres or media such as solvents and cleaning agents, with a predominantly functional requirement for the surface.

Mounting plate

Material: Wrought aluminium alloy
Contains PWIS (paint-wetting
impairment substances),
RoHS-compliant



Dimensions [mm] and ordering data																Part No.	Type
B1	B2	B3	D1	D2	D3	H1	H2	H3	H4	H5	L1	L2	L3	L4	CRC ¹⁾		
10	5	20	6.4	M5	M8	55	32	11.5	40	7.5	70	10	24	11	3	563 399	VAME-S7-P

1) Corrosion resistance class 3 according to Festo standard 940 070
Components subject to high corrosion stress. External visible parts in direct contact with industrial atmospheres or media such as solvents and cleaning agents, with a predominantly functional requirement for the surface.

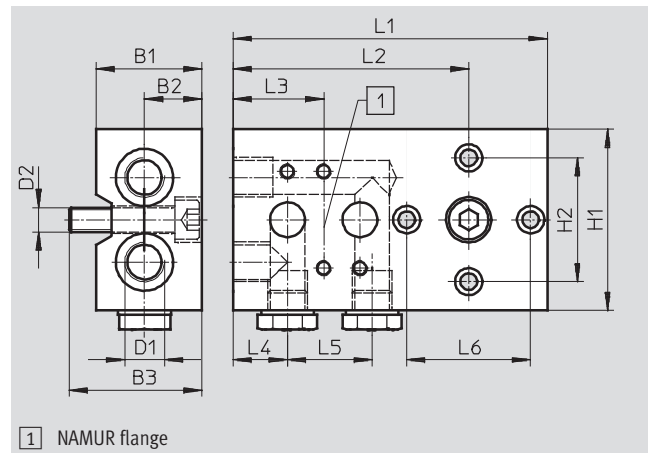
Solenoid valves

Accessories

Connection plate kit

Material:

Wrought aluminium alloy
Contains PWIS (paint-wetting
impairment substances),
RoHS-compliant

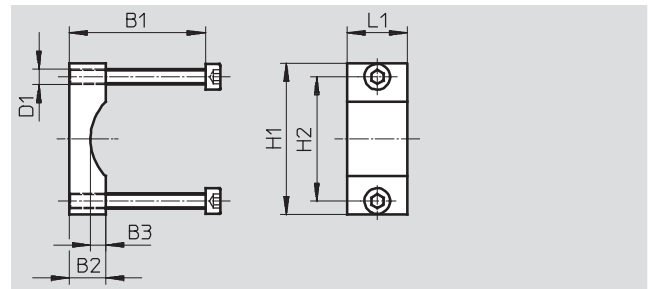


Dimensions [mm] and ordering data															Part No.	Type
B1	B2	B3	D1	D2	H1	H2	L1	L2	L3	L4	L5	L6	CRC ¹⁾			
35	19	44	G ¹ / ₄	M8	60	41	104	70	30	18	28	41	3	563 396	VABF-S7-S-G14	

1) Corrosion resistance class 3 according to Festo standard 940 070
Components subject to high corrosion stress. External visible parts in direct contact with industrial atmospheres or media such as solvents and cleaning agents, with a predominantly functional requirement for the surface.

Mounting bracket

Material: Wrought aluminium alloy
Contains PWIS (paint-wetting
impairment substances),
RoHS-compliant



Dimensions [mm] and ordering data								Part No.	Type
B1	B2	B3	D1	H1	H2	L1	CRC ¹⁾		
45/65	12	5	M5	50	41	20	3	563 403	VAME-S7-Y

1) Corrosion resistance class 3 according to Festo standard 940 070
Components subject to high corrosion stress. External visible parts in direct contact with industrial atmospheres or media such as solvents and cleaning agents, with a predominantly functional requirement for the surface.

Solenoid valves

Accessories

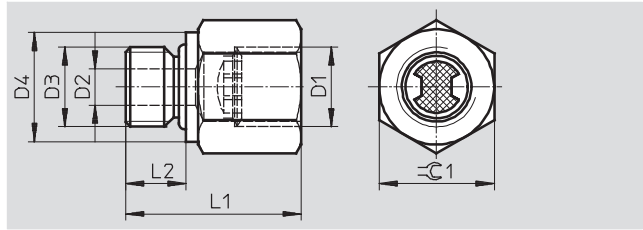


Adapter with filter

Note on materials:

Contains PWIS (paint-wetting impairment substances),

RoHS-compliant



Dimensions [mm] and ordering data									
D1	D2	D3	D4	L1	L2	CRC ¹⁾	CRC ¹⁾	Part No.	Type
NPT ^{1/4}	6	G ^{1/4}	18	29	10	19	1	563 397	NPFV-AF-G14-N14-MF
G ^{1/4}	6	G ^{1/4}	18	29	10	19	1	563 398	NPFV-AF-G14-G14-MF

1) Corrosion resistance class 1 according to Festo standard 940 070

Components subject to low corrosion stress. Transport and storage protection. Parts that do not have primarily decorative surface requirements, e.g. in internal areas that are not visible or behind covers.

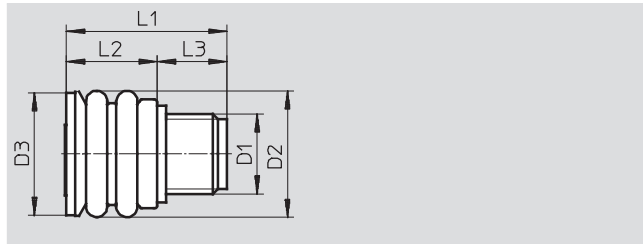
Exhaust protection

Material:

Ethylene propylene rubber

Contains PWIS (paint-wetting impairment substances),

RoHS-compliant



Dimensions [mm] and ordering data								
D1	D2	D3	L1	L2	L3	CRC ¹⁾	Part No.	Type
G ^{1/4}	21	20.5	26.5	15	11.5	3	563 400	VABD-D3-SN-G14

1) Corrosion resistance class 3 according to Festo standard 940 070

Components subject to high corrosion stress. External visible parts in direct contact with industrial atmospheres or media such as solvents and cleaning agents, with a predominantly functional requirement for the surface.

Solenoid valves

Accessories

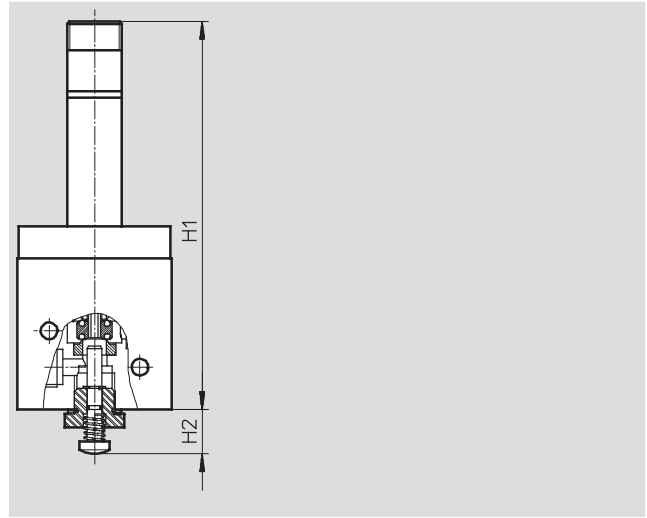
FESTO

Hand lever

Material:

Contains PWIS (paint-wetting
impairment substances),

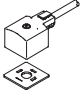

RoHS-compliant



Dimensions [mm] and ordering data				
H1	H2	CRC ¹⁾	Part No.	Type
128	14	3	563 402	VAOH-S8

1) Corrosion resistance class 3 according to Festo standard 940 070

Components subject to high corrosion stress. External visible parts in direct contact with industrial atmospheres or media such as solvents and cleaning agents, with a predominantly functional requirement for the surface.

Ordering data		Part No.	Type
Cable		Technical data → Internet: kmc	
		30 931	KMC-1-24 DC-2,5-LED
		30 932	KMC-1-230 AC-2,5
		30 933	KMC-1-24 DC-5-LED
		30 934	KMC-1-230 AC-5
		30 935	KMC-1-24-10-LED
Plug socket with screw terminal technology		Technical data → Internet: mssd	
		34 583	MSSD-C

Product Range and Company Overview

A Complete Suite of Automation Services

Our experienced engineers provide complete support at every stage of your development process, including: conceptualization, analysis, engineering, design, assembly, documentation, validation, and production.



Custom Automation Components
Complete custom engineered solutions



Custom Control Cabinets
Comprehensive engineering support and on-site services



Complete Systems
Shipment, stocking and storage services

The Broadest Range of Automation Components

With a comprehensive line of more than 30,000 automation components, Festo is capable of solving the most complex automation requirements.



Electromechanical
Electromechanical actuators, motors, controllers & drives



Pneumatics
Pneumatic linear and rotary actuators, valves, and air supply



PLCs and I/O Devices
PLC's, operator interfaces, sensors and I/O devices

Supporting Advanced Automation... As No One Else Can!

Festo is a leading global manufacturer of pneumatic and electromechanical systems, components and controls for industrial automation, with more than 12,000 employees in 56 national headquarters serving more than 180 countries. For more than 80 years, Festo has continuously elevated the state of manufacturing with innovations and optimized motion control solutions that deliver higher performing, more profitable automated manufacturing and processing equipment. Our dedication to the advancement of automation extends beyond technology to the education and development of current and future automation and robotics designers with simulation tools, teaching programs, and on-site services.

Quality Assurance, ISO 9001 and ISO 14001 Certifications

Festo Corporation is committed to supply all Festo products and services that will meet or exceed our customers' requirements in product quality, delivery, customer service and satisfaction.

To meet this commitment, we strive to ensure a consistent, integrated, and systematic approach to management that will meet or exceed the requirements of the ISO 9001 standard for Quality Management and the ISO 14001 standard for Environmental Management.



© Copyright 2008, Festo Corporation. While every effort is made to ensure that all dimensions and specifications are correct, Festo cannot guarantee that publications are completely free of any error, in particular typing or printing errors. Accordingly, Festo cannot be held responsible for the same. For Liability and Warranty conditions, refer to our "Terms and Conditions of Sale", available from your local Festo office. All rights reserved. No part of this publication may be reproduced, distributed, or transmitted in any form or by any means, electronic, mechanical, photocopying or otherwise, without the prior written permission of Festo. All technical data subject to change according to technical update.



Printed on recycled paper at New Horizon Graphic, Inc., FSC certified as an environmentally friendly printing plant.

Festo North America

Festo Regional Contact Center

5300 Explorer Drive
Mississauga, Ontario L4W 5G4
Canada

USA Customers:

For ordering assistance,

Call: 1.800.99.FESTO (1.800.993.3786)

Fax: 1.800.96.FESTO (1.800.963.3786)

Email: customer.service@us.festo.com

For technical support,

Call: 1.866.GO.FESTO (1.866.463.3786)

Fax: 1.800.96.FESTO (1.800.963.3786)

Email: product.support@us.festo.com

Canadian Customers:

Call: 1.877.GO.FESTO (1.877.463.3786)

Fax: 1.877.FX.FESTO (1.877.393.3786)

Email: festo.canada@ca.festo.com

USA Headquarters

Festo Corporation
395 Moreland Road
P.O. Box 18023
Hauppauge, NY 11788, USA
www.festo.com/us

USA Sales Offices

Appleton

North 922 Tower View Drive, Suite N
Greenville, WI 54942, USA

Boston

120 Presidential Way, Suite 330
Woburn, MA 01801, USA

Chicago

1441 East Business Center Drive
Mt. Prospect, IL 60056, USA

Dallas

1825 Lakeway Drive, Suite 600
Lewisville, TX 75057, USA

Detroit – Automotive Engineering Center

2601 Cambridge Court, Suite 320
Auburn Hills, MI 48326, USA

New York

395 Moreland Road
Hauppauge, NY 11788, USA

Silicon Valley

4935 Southfront Road, Suite F
Livermore, CA 94550, USA

United States



USA Headquarters, East: Festo Corp., 395 Moreland Road, Hauppauge, NY 11788

Phone: 1.631.435.0800; Fax: 1.631.435.8026;

Email: info@festo-usa.com

www.festo.com/us

Canada



Headquarters: Festo Inc., 5300 Explorer Drive, Mississauga, Ontario L4W 5G4

Phone: 1.905.624.9000; Fax: 1.905.624.9001;

Email: festo.canada@ca.festo.com

www.festo.ca

Mexico



Headquarters: Festo Pneumatic, S.A., Av. Ceylán 3, Col. Tequesquahuac,
54020 Tlalneantla, Edo. de México

Phone: 011 52 [55] 53 21 66 00; Fax: 011 52 [55] 53 21 66 65;

Email: festo.mexico@mx.festo.com

www.festo.com/mx

Central USA

Festo Corporation
1441 East Business
Center Drive
Mt. Prospect, IL 60056, USA
Phone: 1.847.759.2600
Fax: 1.847.768.9480



Western USA

Festo Corporation
4935 Southfront Road,
Suite F
Livermore, CA 94550, USA
Phone: 1.925.371.1099
Fax: 1.925.245.1286



Festo Worldwide

Argentina Australia Austria Belarus Belgium Brazil Bulgaria Canada Chile China Colombia Croatia Czech Republic Denmark
Estonia Finland France Germany Great Britain Greece Hong Kong Hungary India Indonesia Iran Ireland Israel Italy Japan Latvia
Lithuania Malaysia Mexico Netherlands New Zealand Norway Peru Philippines Poland Romania Russia Serbia Singapore
Slovakia Slovenia South Africa South Korea Spain Sweden Switzerland Taiwan Thailand Turkey Ukraine United States Venezuela

www.festo.com