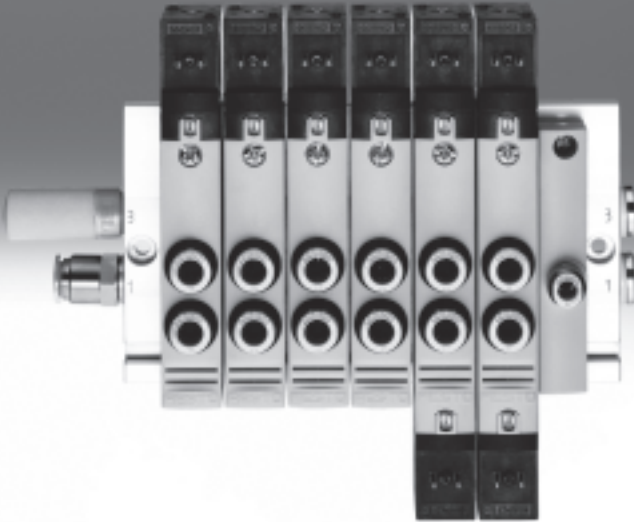


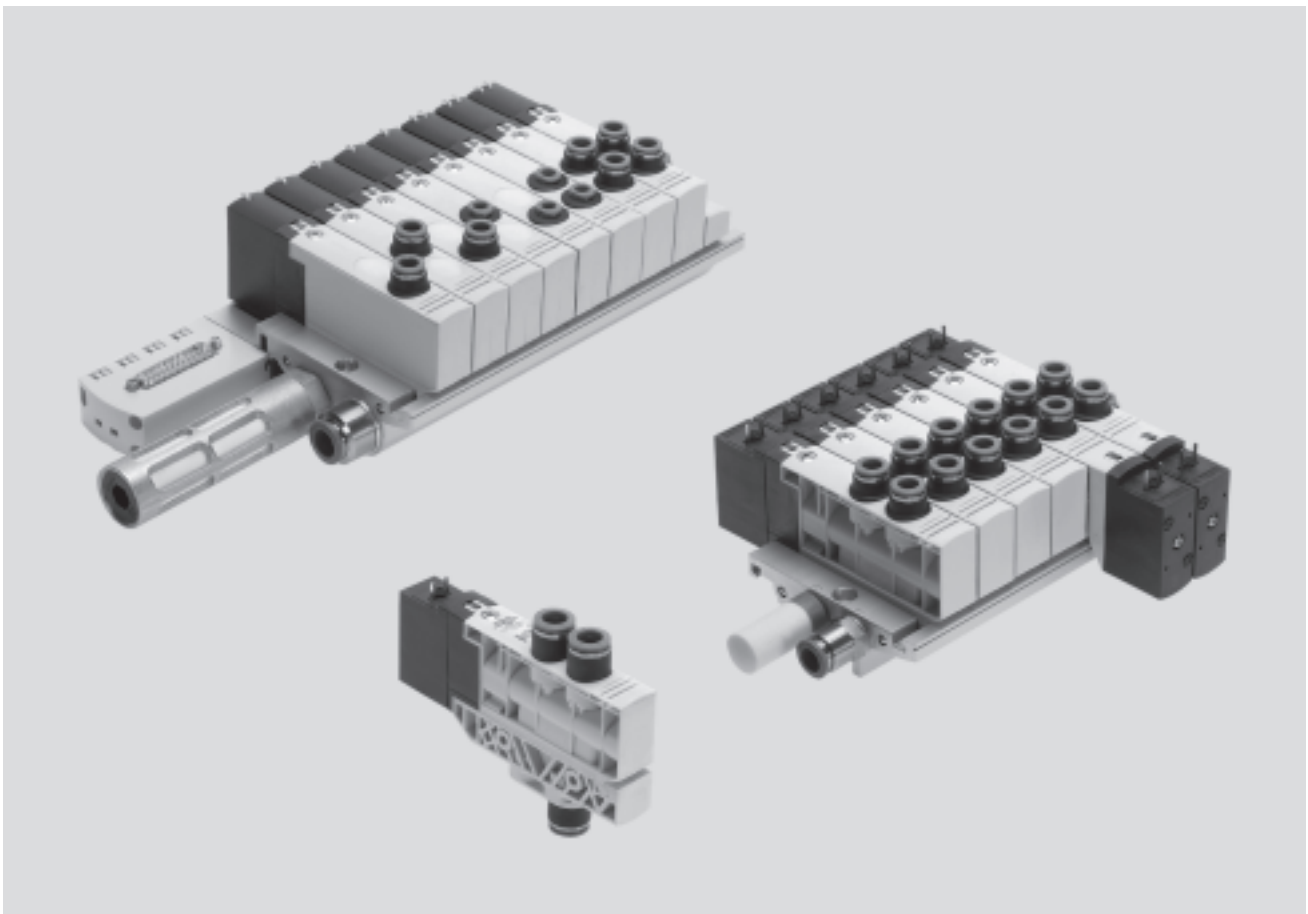
Solenoid valves VUVB/valve terminals VTUB, NPT



Solenoid valves VUVB/valve terminals VTUB, NPT

Key features

FESTO



Innovative

- Valve terminal for a wide range of pneumatic applications
- Standardised from the individual valve to the multi-pin plug
- Great flexibility during planning, assembly and operation
- Selectable valve functions; 3/2- and 4/2-way function also suitable for vacuum applications
- Wide selection of optimally tailored accessories for flow rates from 200 to 1,000 l/min

Versatile

- Room for expansion with 2 ... 10 valve positions on one valve terminal
- Use of individual valves in combination with an individual sub-base
- Flexibility of the pneumatic working lines provides a practical solution to different requirements
- Two pressure zones (additional zones on request)
- High pressure range –0.9 ... 8 bar
- Extensive operating voltage range from 12 V DC to 230 V AC

Reliable

- Manual override
- Durable thanks to tried-and-tested piston spool valves
- Sturdy thanks to the polymer housing and metal manifold rail
- Fast troubleshooting thanks to an LED signal status display in the plug socket with cable or on the valve in the case of the design with multi-pin plug

Easy to mount

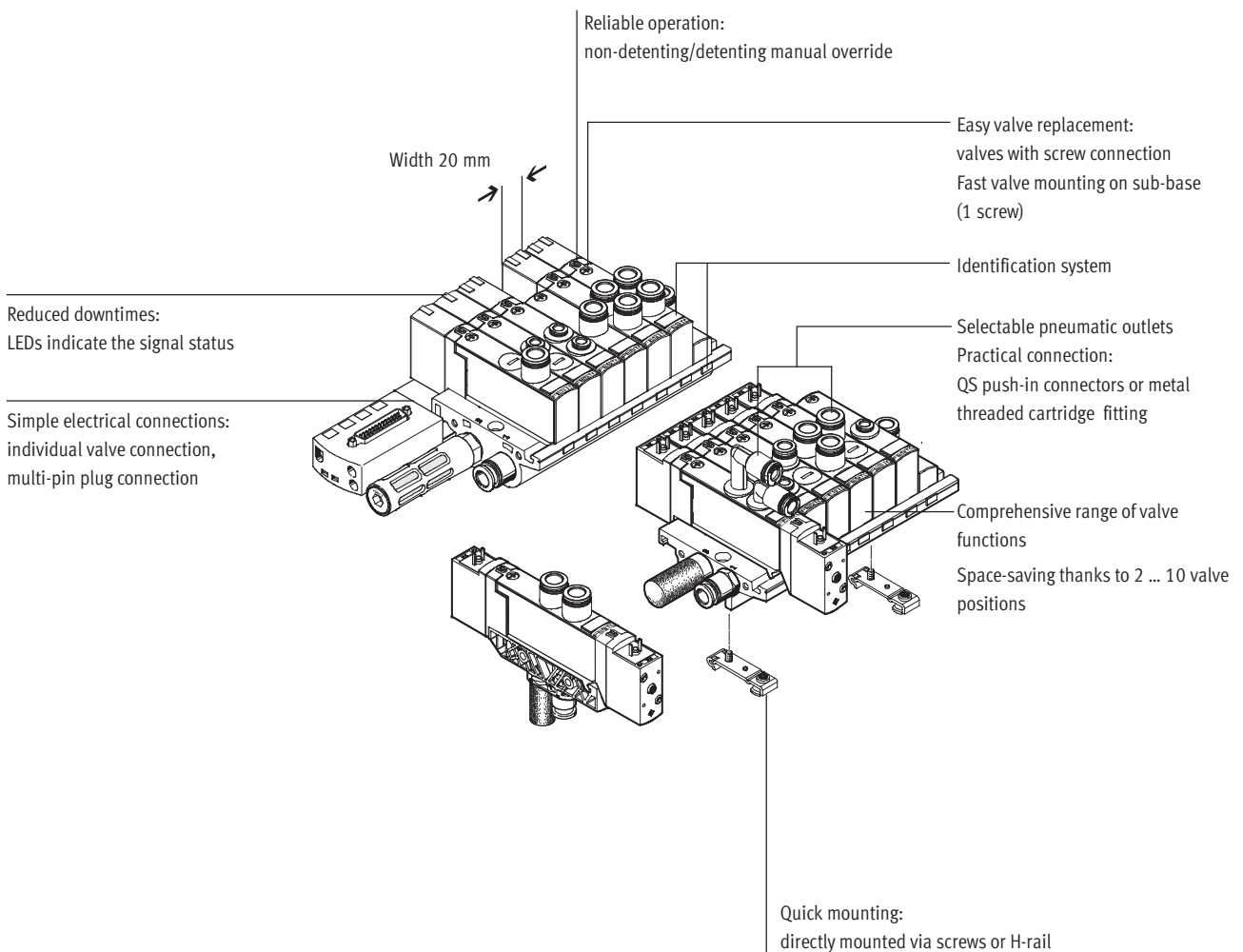
- Ready-to-install and tested unit
- Lower ordering, installation and commissioning costs
- Secure mounting on wall or H-rail

Note

Valve terminals are available for 4, 6, 8 and 10 valve positions in connection sizes 1/2 NPT and 1/4 NPT.

Solenoid valves VUVB/valve terminals VTUB, NPT

Key features



Equipment options

Valve functions

- 3/2-way valve, normally open
- 3/2-way valve, normally closed
- 4/2-way valve, single solenoid
- 4/2-way valve, double solenoid

Electrical connection options

Individual connection/individual valve connection

- 2 ... 10 valve positions with manifold rail
- 2 ... 20 solenoid coils
- Via plug socket with cable with either LED or illuminating seal

Multi-pin plug

- 4 ... 10 valve positions/
max. 20 solenoid coils
- Sub-D

Valve terminal configurator

Download CAD Data → www.festo.com/us/cad

A valve terminal configurator is available to help you select a suitable valve terminal VTUB, which makes it much easier to order the right product. Valve terminals VTUB are ordered via an ident. code.

All valve terminals are supplied fully assembled and individually tested. This reduces assembly and installation time to a minimum.

Ordering system for valve terminal VTUB

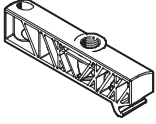
- Individual electrical connection
 - Electrical multi-pin plug connection
- Internet: vtub

Solenoid valves VUVB/valve terminals VTUB, NPT

Key features

FESTO

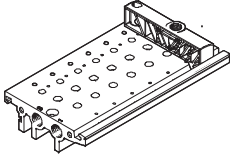
Pressure zone supply module



The pressure zone supply module for pilot air supply is included in the scope of delivery of the manifold rail.

The pressure zone supply module for internal or external pilot air supply ensures even greater flexibility.

Manifold rail

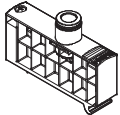


The manifold rail features a groove into which the semi in-line valves are latched and secured with just one screw.

The valve functions 4/2-way single solenoid, 4/2-way double solenoid, 3/2-way normally closed and 3/2-way normally open are available. All semi in-line valves are available with the cartridges QSP for the tubing

diameters 1/4, 5/16, and 3/8. 4/2-way valves are also supplied without cartridges, allowing users to fit cartridges of their choice or blanking plugs.

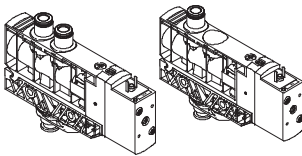
Pressure zone supply module



The pressure zone supply module occupies one valve position and can

be used as an additional supply or for supplying a pressure zone.

Individual valve



An individual valve can be ordered as an in-line valve (comprising semi in-line valve and sub-base ready assembled) in all functions. The

tubing diameters 1/4 and 5/16 are available in this case. The in-line valve, however, can also be assembled using an individual

sub-base and semi in-line valve. All tubing diameters and the variant without cartridge are available in this case.

Blanking plate

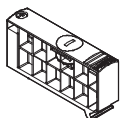
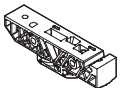


Plate without valve function for reserving valve positions on a valve terminal.

Valves and blanking plates are attached to the manifold rail using one screw.

Sub-base



Individual sub-bases can be equipped with any valve.

Electrical connection is by means of a standardised connector plug, square design to EN 175301-803, type C.

Pre-assembled plug sockets with cable or plugs for self-assembly are offered for this.

Solenoid valves VUVB/valve terminals VTUB, NPT

Key features – Pneumatic components

Pneumatic connection

Supply and exhaust

The valves are supplied pneumatically via manifold rails or individual sub-bases.

The manifold rails contain common lines for compressed air supply, exhaust and pilot exhaust for all valves.

The common lines can be connected

- at the left (code L),
- at the right (code R) or
- at both ends (no code).

Pilot air supply

In-line valves are available with internal and external pilot air supply. With semi in-line valves the mounting position of the insert in the sub-base determines whether the valves are actuated internally or externally.

Internal pilot air supply

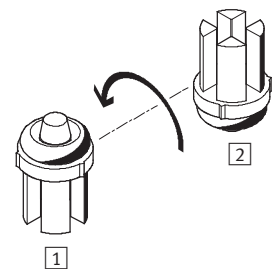
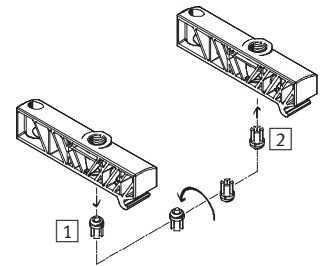
An internal pilot air supply can be selected if the supply pressure is between 2 and 8 bar. The pilot air supply is branched from duct 1 in the pressure zone supply module in this case.

If the selector is installed as shown in position **1**, it means that the pilot air supply will be branched internally from duct 1.

External pilot air supply

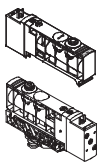
An external pilot air supply must be used if the supply pressure is between -0.9 and $+2$ bar. The pilot air supply is supplied via duct 12/14 of the pressure zone supply module in this case.

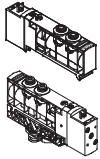
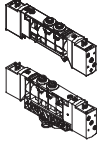
If the selector is turned 180° and installed as shown in position **2**, it means that the valve manifold is set to external pilot air supply.



Solenoid valves VUVB/valve terminals VTUB, NPT

Product range overview – Individual valves and manifold valves

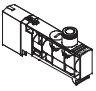
Function	Version	Type	Nominal flow rate [l/min]	Pneumatic connection	Operating voltage [V]	Semi in-line valve	In-line valve	Pilot air supply		→ Page/Internet
								Internal	External	
3/2-way valves	Single solenoid valve for individual connection and valve manifold									
		VUVB-...-M32-...	500	QS-1/4	24 DC 110 AC	■	■	■	■	14
			800	QS-5/16		■	■	-	■	
			1000	QS-3/8		■	-	■	■	
1000			QX ¹⁾	24 DC 110 AC 230 AC 12 DC/24 AC	■	-	-	■		

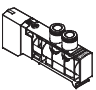
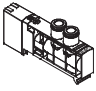
Function	Version	Type	Nominal flow rate [l/min]	Pneumatic connection	Operating voltage [V]	Semi in-line valve	In-line valve	Pilot air supply		→ Page/Internet
								Internal	External	
4/2-way valves	Single solenoid valve for individual connection and valve manifold									
		VUVB-...-M42-...	500	QS-1/4	24 DC 110 AC	■	■	■	■	14
			800	QS-5/16		■	■	■	■	
			1000	QS-3/8		■	-	-	■	
			1000	QX ¹⁾	24 DC 110 AC 230 AC 12 DC/24 AC	■	-	-	■	
	Double solenoid valve for individual connection and valve manifold									
		VUVB-...-B42-...	500	QS-1/4	24 DC 110 AC	■	■	■	■	14
			800	QS-5/16		■	■	■	■	
1000			QS-3/8	■		-	-	■		
1000			QX ¹⁾	24 DC 110 AC 230 AC 12 DC/24 AC	■	-	-	■		

1) Cartridge not included

Solenoid valves VUVB/valve terminals VTUB, NPT

Product range overview – Terminal valves

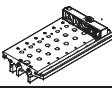
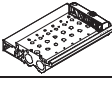
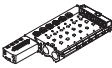
Function	Version	Type	Nominal flow rate [l/min]	Pneumatic connection	Operating voltage [V]	Semi in-line valve	Pilot air supply External	→ Page/Internet
3/2-way valves	Single solenoid valve for valve terminal with electrical multi-pin plug connection							
		VUVB-...-M32-...	500	QS-1/4	24 DC	■	■	34
			800	QS-5/16		■	■	
			1000	QS-3/8		■	■	
			1000	QX ¹⁾		■	■	


Function	Version	Type	Nominal flow rate [l/min]	Pneumatic connection	Operating voltage [V]	Semi in-line valve	Pilot air supply External	→ Page/Internet
4/2-way valves	Single solenoid valve for valve terminal with electrical multi-pin plug connection							
		VUVB-...-M42-...	500	QS-1/4	24 DC	■	■	34
			800	QS-5/16		■	■	
			1000	QS-3/8		■	■	
			1000	QX ¹⁾		■	■	
	Double solenoid valve for valve terminal with electrical multi-pin plug connection							
		VUVB-...-B42-...	500	QS-1/4	24 DC	■	■	34
			800	QS-5/16		■	■	
			1000	QS-3/8		■	■	
1000			QX ¹⁾	■		■		

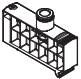
1) Cartridge not included

Solenoid valves VUVB/valve terminals VTUB, NPT


Product range overview


Function	Version	Type	Pneumatic connection	Valve positions					Pilot air supply		→ Page/ Internet
				2	4	6	8	10	Internal	External	
Manifold rail	For valve manifold with individual electrical connection										
		VABM	1/2 NPT	■	■	■	■	■	■	■	22
		VABM	1/4 NPT	■	■	■	■	■	■	■	23
Manifold rail	For valve terminal with electrical multi-pin plug connection										
		VABM-...-M1	1/2 NPT	-	■	■	■	■	■	■	40

Function	Version	Type	Pilot air supply		→ Page/ Internet
			Internal	External	
Sub-base	Individual valve				
		VABS	■	■	24

Function	Version	Type	Pneumatic connection	Use	→ Page/ Internet
Pressure zone supply module		VABF	QS-3/8	For additional supply to the manifold rail	42

Function	Version	Type	Use	→ Page/ Internet
Blanking plate		VABB	For covering vacant positions	43

Function	Version	Type	Use	→ Page/ Internet
Separator		VABD	For duct separation	43

Function	Version	Type	Use	→ Page/ Internet
H-rail mounting kit		VAME	For mounting on the H-rail NRH-35-2000	48

Function	Version	Type	Use	→ Page/ Internet
Cartridge		QSP...		47

Solenoid valves VUVB, NPT

Peripherals overview

Overview – Solenoid valve VUVB

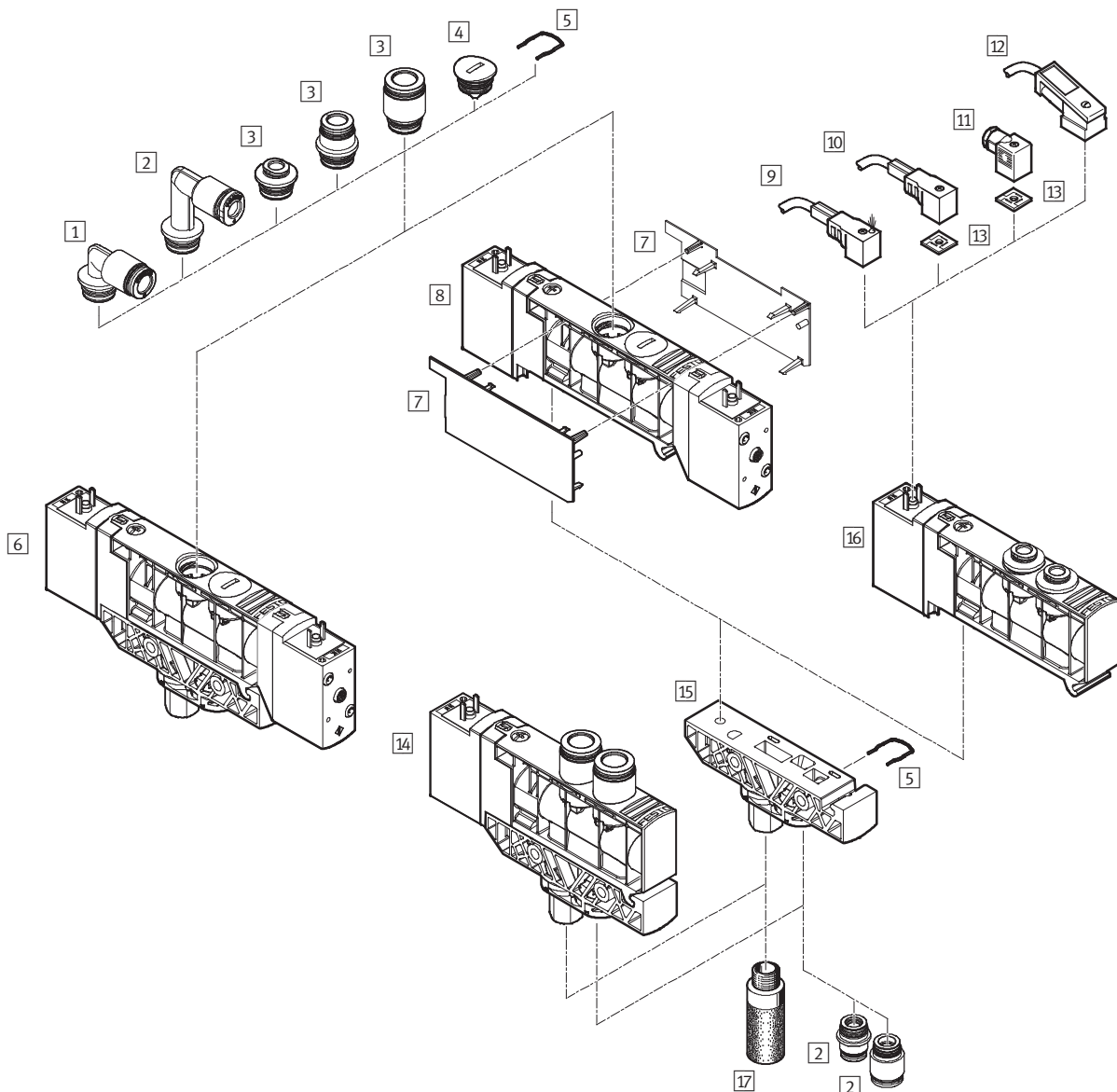
Individual position with individual electrical connection

These peripherals are ordered via individual parts/accessories.

An individual valve can be ordered as an in-line valve or as a fully assembled semi in-line valve on a sub-base.

The in-line valve is available with 1/4NPT or 5/16NPT push-in connectors. The semi in-line valve on sub-base is

available with 1/4, 5/16 or 3/8NPT push-in connectors or as a variant without a cartridge.



Solenoid valves VUVB, NPT

Peripherals overview

FESTO

Accessories			
	Brief description	→ Page/Internet	
1	Cartridge QSPL	For connecting compressed air tubing with standard O.D.	47
2	Cartridge QSPLL	For connecting compressed air tubing with standard O.D.	47
3	Cartridge QSP	For connecting compressed air tubing with standard O.D.	47
4	Blanking plug QSPC18	For sealing the pneumatic connections on the valve	48
5	Retaining clip	For fitting cartridges and blanking plugs (included in the scope of delivery of cartridge QSP... and blanking plug QSPC18)	–
6	Double solenoid valve VUVB-L-...-B-...	In-line valve with adapter for NPT	20
7	Cover for valve housing VAMC	–	45
8	Double solenoid valve VUVB-S-...-B-...	Semi in-line valve	14
9	Plug socket with cable with LED KMEB-1-...-LED	For indicating the signal status	49
10	Plug socket with cable KMEB-1-230AC-...	Can be used up to 230 V	49
11	Plug socket MSSD-EB	–	49
12	Plug socket with cable with LED KMEB-2-24-...	For indicating the signal status	49
13	Illuminating seal MEB-LD	For indicating the signal status	49
14	Single solenoid valve VUVB-L-...-M-...	In-line valve with adapter for NPT	20
15	Sub-base VABS-B6-P...	For individual valve with adapter for NPT	46
16	Single solenoid valve VUVB-S-...-M-...	Semi in-line valve	20
17	Silencer U	For fitting in exhaust ports	48

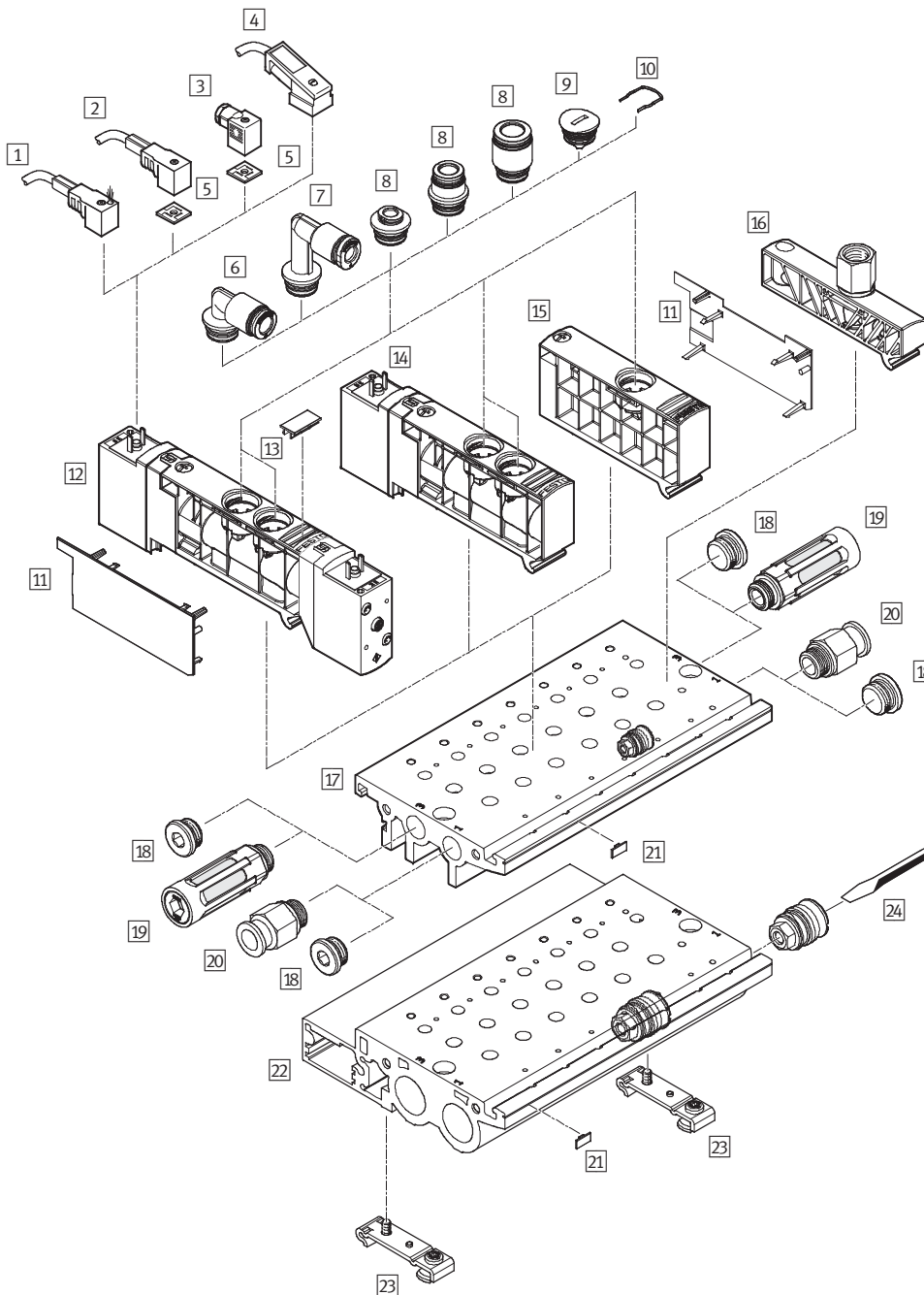
Solenoid valves VUVB, NPT

Peripherals overview

Overview – Solenoid valve VUVB

Manifold assembly/valve terminal with individual electrical connections

- "Individual connection" code: ET Valve terminals with individual electrical connections are available in gradations from 2 to max. 10 valve positions.
- Valve positions can either be fitted with a valve or a blanking plate for future expansions.
- In total up to 20 solenoid valves can be actuated.



Solenoid valves VUVB, NPT

Peripherals overview

FESTO

Accessories		
	Brief description	→ Page/Internet
1	Plug socket with cable with LED KMEB-1-...-LED	For indicating the signal status 49
2	Plug socket with cable KMEB-1-230AC-...	Can be used up to 230 V 49
3	Plug socket MSSD-EB	– 49
4	Plug socket with cable with LED KMEB-2-24-...	For indicating the signal status 49
5	Illuminating seal MEB-LD	For indicating the signal status 49
6	Cartridge QSPL-...	For connecting compressed air tubing with standard O.D. 47
7	Cartridge QSPL-...	For connecting compressed air tubing with standard O.D. 47
8	Cartridge QSP-...	For connecting compressed air tubing with standard O.D. 47
9	Blanking plug QSPC18	For sealing the pneumatic connections on the valve 48
10	Retaining clip	For fitting cartridges and blanking plugs (included in the scope of delivery of the cartridge QSP... and the blanking plug QSPC18)
11	Cover for valve housing VAMC	– 45
12	Double solenoid valve VUVB-...-B	– 20
13	Inscription label IBS-9x17	For identifying the valves 48
14	Single solenoid valve VUVB-...-M	– 20
15	Blanking plate/pressure zone supply module VABF/VABB	Pressure zone supply module VABF: with cartridge Blanking plate VABB: for vacant position, with blanking plug 42/43
16	Pressure zone supply module	For pilot air supply with adapter for NPT (included in the scope of delivery of the manifold rail VABM)
17	Manifold rail VABM-B6-E-N14-...	Pneumatic connection ¼ NPT, for connecting max. 10 valves 22
18	Blanking plug B	– 48
19	Silencer U	For fitting in exhaust ports 48
20	Push-in fitting QS	For connecting compressed air tubing with standard O.D. 47
21	Inscription label MH-BZ-80X	For identifying the manifold rail 48
22	Manifold rail VABM-B6-E-N12-...	Pneumatic connection ½ NPT, for connecting max. 10 valves 23
23	H-rail mounting kit VAME	For mounting on the H-rail NRH-35-2000 48
24	Separator for pressure zones VABD	For mounting in the manifold rail 43

Solenoid valves VUVB, NPT

Type codes – Individual valves and manifold valves

		VUVB	-	L	-	M32C	-	A	Z	D	-	T14	-	1	C1
Valve series															
VUVB	Solenoid valve														
Constructional design															
L	In-line valve														
S	Semi in-line valve														
Valve function															
M32C	3/2-way valve, normally closed														
M32U	3/2-way valve, normally open														
M42	4/2-way valve, single solenoid														
B42	4/2-way valve, double solenoid														
Reset method															
-	None (double solenoid)														
A	Pneumatic reset														
Pilot air supply															
-	Internal														
Z	External														
Manual override															
D	Non-detenting/detenting														
Pneumatic connection															
T532	For tubing O.D. 5/32														
T14	For tubing O.D. 1/4														
T516	For tubing O.D. 5/16														
T38	For tubing O.D. 3/8														
QX	Without push-in connector														
Operating voltage															
1	24 V DC														
2A	110 V AC														
3A	230V														
5W	12 V DC/24 V AC														
Electrical connection															
C1	Plug socket connection pattern to EN 175301-803, type C														

Solenoid valves VUVB, NPT

FESTO

Technical data – Individual valves and manifold valves

Voltage

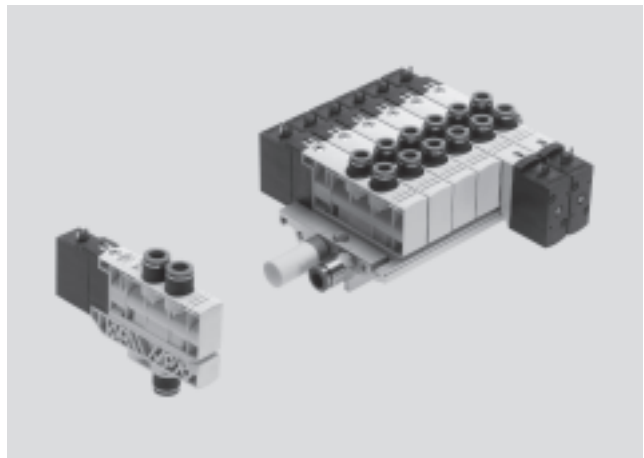
12, 24 V DC
24, 110 V AC

Pressure

-0.9 ... +8 bar

Temperature range

-5 ... +50 °C



General technical data					
Valve function		3/2-way, single solenoid	4/2-way, single solenoid	4/2-way, double solenoid	
Design	Piston spool valve				
Sealing principle	Soft				
Actuation type	Electric				
Reset method	Pneumatic spring			-	
Type of control	Piloted				
Pilot air supply	Internal or external				
Direction of flow	Non-reversible				
Exhaust function	No flow control				
Manual override	Non-detenting, detenting				
Type of mounting	Via through-hole				
Mounting position	Any				
Nominal size	[mm]	7			
Standard nominal flow rate	qnN	[l/min]	200 (5/32NPT), 500 (1/4NPT), 800 (5/16NPT), 1000 (3/8NPT)		
Width	[mm]	20			
Product weight	In-line valve	[g]	170	170	240
	Semi in-line valve	[g]	150	150	220

Operating and environmental conditions	
Operating medium	Compressed air in accordance with ISO 8573-1:2010 [7:4:4]
Note on operating/pilot medium	Operation with lubricated medium possible (in which case lubricated operation will always be required)
Operating pressure	[bar] -0.9 ... +8
Operating pressure for valve terminal with internal pilot air supply	[bar] 2 ... 8
Pilot pressure	[bar] 2 ... 8
Ambient temperature	[°C] -5 ... +50
Temperature of medium	[°C] -5 ... +50
Corrosion resistance class CRC	1 ¹⁾
Note on materials	RoHS-compliant

1) Corrosion resistance class 1 according to Festo standard 940 070
Components subject to low corrosion stress. Transport and storage protection. Parts that do not have primarily decorative surface requirements, e.g. in internal areas that are not visible or behind covers.

Note

A filter must be installed upstream of valves operated in vacuum mode. This prevents any foreign matter in the intake air getting into the valve (e.g. when operating a suction cup).

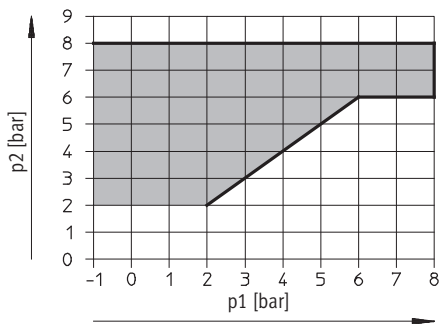
Solenoid valves VUVB, NPT

Technical data – Individual valves and manifold valves

Electrical data			
Electrical connection		Plug, square design to EN 175301-803, type C	
Nominal operating voltage	DC	[V]	12, 24
	AC	[V]	24, 110, 230
Permissible voltage fluctuations		[%]	±10
Electrical power consumption	24 V DC	[W]	1.5
	110 V AC	[VA]	Pull: 3.1, hold: 2.2
Protection class to EN 60529		IP65 (in combination with plug socket)	

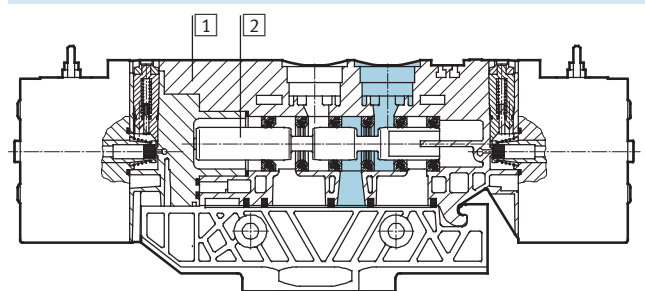
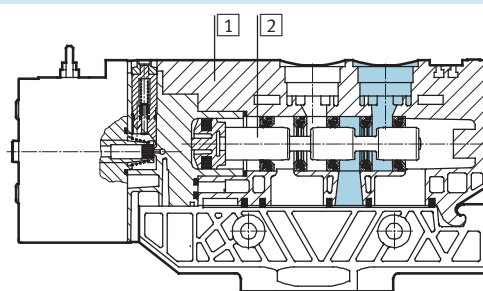
Valve switching times [ms]			
Valve function	3/2-way, single solenoid	4/2-way, single solenoid	4/2-way, double solenoid
On	20	20	–
Off	20	20	–
Changeover	–	–	15

Pilot pressure p2 as a function of operating pressure p1



Materials

Sectional view – Single solenoid valve Sectional view – Double solenoid valve



1	Housing	Reinforced polyamide
2	Piston spool	Wrought aluminium alloy
–	Seals	Nitrile rubber, hydrogenated nitrile rubber, fluoro elastomer

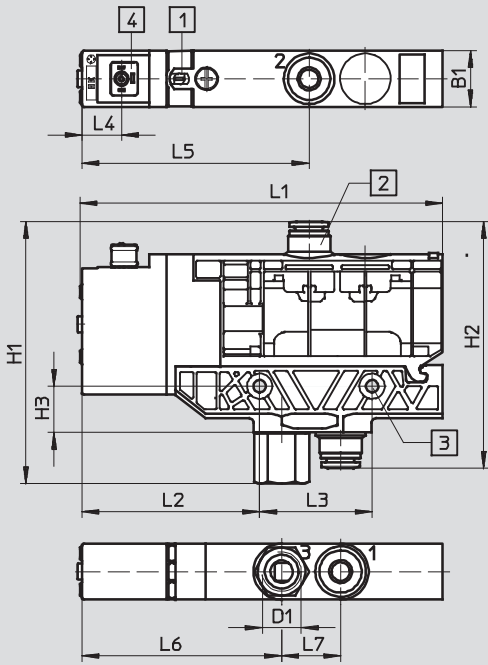
Solenoid valves VUVB, NPT

Technical data – Individual valves and manifold valves

Dimensions – 3/2-way and 4/2-way valve, single solenoid

Download CAD Data → www.festo.com/us/cad

In-line valve



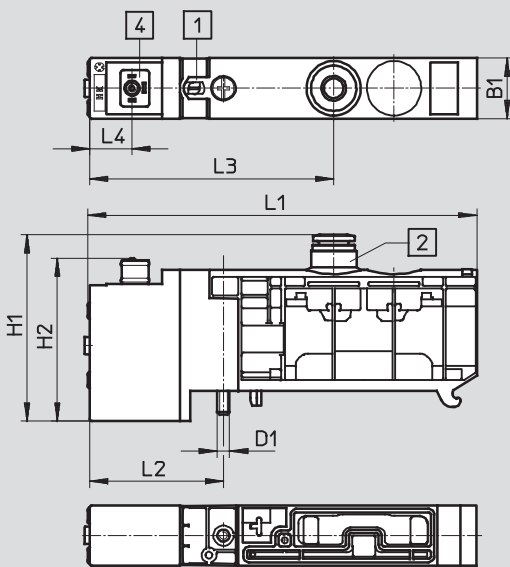
- 1 Manual override
- 2 Fitting QS
- 3 Through-hole for screw M4
- 4 Plug socket connection pattern to EN 175301-803

Type	B1	D1	H1	H2	H3	L1	L2	L3	L4	L5	L6	L7
VUVB-L-M32...-T14	20	¼ NPT	87	83.1	16.5	129	63.2	40	14	80.8	71	21
VUVB-L-M32...-T516			93	89.9								

Dimensions – 3/2-way and 4/2-way valve, single solenoid

Download CAD Data → www.festo.com/us/cad

Semi in-line valve



- 1 Manual override
- 2 Fitting QS
- 4 Plug socket connection pattern to EN 175301-803, type C

Type	B1	D1	H1	H2	L1	L2	L3	L4
VUVB-S-M32...-T14	20	M4	54	53.9	129	44.3	80.8	14
VUVB-S-M32...-T516			61					
VUVB-S-M32...-T38			65					

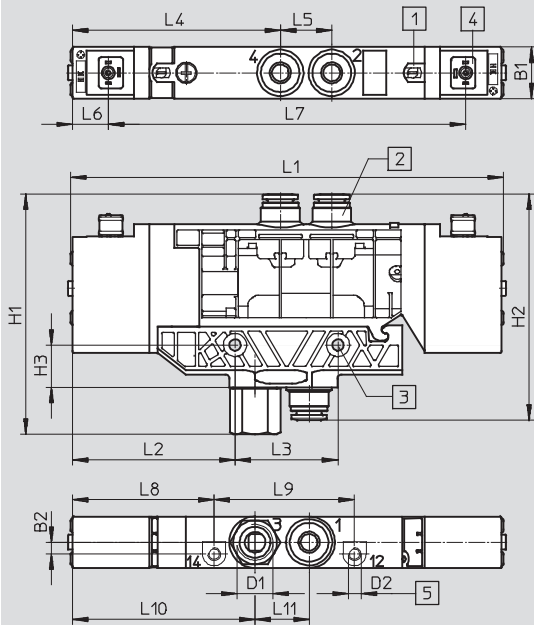
Solenoid valves VUVB, NPT

Technical data – Individual valves and manifold valves

Dimensions – 4/2-way valve, double solenoid

Download CAD Data → www.festo.com/us/cad

In-line valve



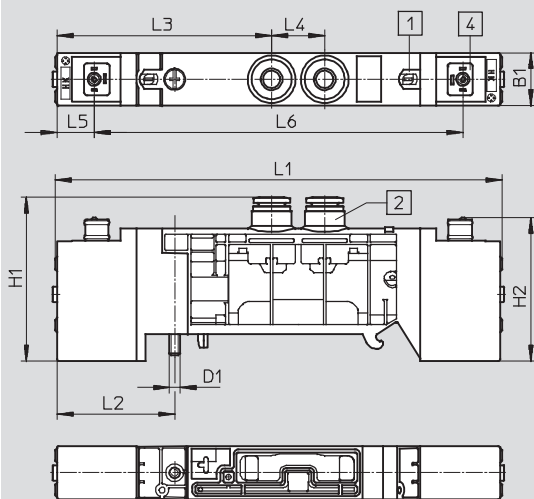
- 1 Manual override
- 2 Fitting QS
- 3 Through-hole for screw M4
- 4 Plug socket connection pattern to EN 175301-803, type C
- 5 Port for external pilot air

Type	B1	B2	D1	D2	H1	H2	H3	L1	L2	L3	L4	L5	L6	L7	L8	L9	L10	L11
VUVB-L-B42...-T14	20	4.6	1/4 NPT	M5	87	83.1	16.5	168.2	63.2	40	80.8	20	14	140.2	55.1	54.55	71	21
VUVB-L-B42...-T516					93	89.9												

Dimensions – 4/2-way valve, double solenoid

Download CAD Data → www.festo.com/us/cad

Semi in-line valve



- 1 Manual override
- 2 Fitting QS
- 4 Plug socket connection pattern to EN 175301-803, type C

Type	B1	D1	H1	H2	L1	L2	L3	L4	L5	L6
VUVB-S-B42...-T14	20	M4	54	53.9	168.2	44.3	80.8	20	14	138.8
VUVB-S-B42...-T516			61							
VUVB-S-B42...-T38			65							

Solenoid valves VUVB, NPT

Technical data – Individual valves and manifold valves

Dimensions – Manifold assembly

Download CAD Data → www.festo.com/us/cad

Manifold rail 1/4 NPT

1 Attachment for mounting rail NRH-35-2000 (optional)

2 Push-in fittings (optional)

3 Cartridge (optional, only with pressure zone supply module)

4 Push-in fitting for external pilot air supply, with adapter for NPT

5 Inscription label (optional)

6 Selector plate internal/external pilot air

Type	B1	B2	B3	B4	B5	D1	D2 H13	D3 H13	H1	H2	H3	H4	H6	H7	H8	H9	H10	L1 ±0.1	L2 ±0.1	L3	L4	L5	L6	L7
VTUB-2...	166.8	128.3	94.7	23	45	1/4NPT	5.5	10	88.4	10	50.5	30.6	70.5	50.1	40	31	10	85	72	24.1	6.5	21	20	13
VTUB-4...																		127	114					
VTUB-6...																		169	156					
VTUB-8...																		211	198					
VTUB-10...																		253	240					

Type	H5
QSPK18-1/4-U-100	74.9
QSPK18-5/16-U-100	81.7
QSPK18-3/8-U-100	85.5

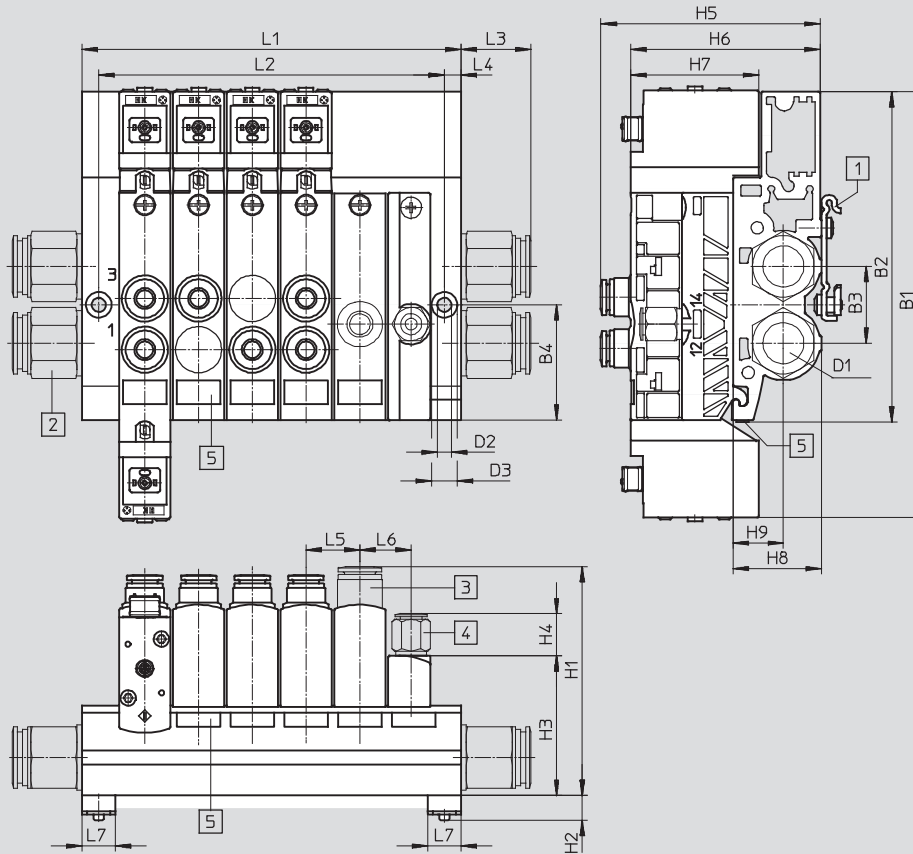
Solenoid valves VUVB, NPT

Technical data – Individual valves and manifold valves

Dimensions – Manifold assembly

Download CAD Data → www.festo.com/us/cad

Manifold rail 1/2 NPT



- 1 Attachment for mounting rail NRH-35-2000 (optional)
- 2 Push-in fittings (optional)
- 3 Cartridge (optional, only with pressure zone supply module)
- 4 Push-in fitting for external pilot air supply, with adapter for NPT
- 5 Inscription label (optional)
- 6 Selector plate internal/external pilot air

Type	B1	B2	B3	B4	D1	D2 H13	D3 H13	H1	H2	H3	H4	H6	H7	H8	H9	L1 ±0.1	L2 ±0.1	L3	L4	L5	L6	L7
VTUB-2...	166.8	129.5	30	45	1/2 NPT	5.5	10	89.4	10	54.5	30.6	74	50.1	34.5	19.7	85	72	27.3	6.5	21	20	13
VTUB-4...																127	114					
VTUB-6...																169	156					
VTUB-8...																211	198					
VTUB-10...																253	240					

Type	H5
QSPK18-1/4-U-100	78.9
QSPK18-5/16-U-100	85.7
QSPK18-3/8-U-100	89.5

Solenoid valves VUVB, NPT

Technical data – Individual valves and manifold valves

Ordering data – In-line valves						
Circuit symbol	Code	Description	Voltage	Pneumatic connection	Part No.	Type
3/2-way valves, single solenoid						
	K	Normally closed, internal pilot air supply, pneumatic spring return	24 V DC	QS-1/4	568280	VUVB-L-M32C-AD-T14-1C1
				QS-5/16	568281	VUVB-L-M32C-AD-T516-1C1
			110 V AC	QS-1/4	568296	VUVB-L-M32C-AD-T14-2AC1
				QS-5/16	568297	VUVB-L-M32C-AD-T516-2AC1
	K	Normally closed, external pilot air supply, pneumatic spring return	24 V DC	QS-1/4	568288	VUVB-L-M32C-AZD-T14-1C1
				QS-5/16	568289	VUVB-L-M32C-AZD-T516-1C1
			110 V AC	QS-1/4	568304	VUVB-L-M32C-AZD-T14-2AC1
				QS-5/16	568305	VUVB-L-M32C-AZD-T516-2AC1
	N	Normally open, internal pilot air supply, pneumatic spring return	24 V DC	QS-1/4	568282	VUVB-L-M32U-AD-T14-1C1
				QS-5/16	568283	VUVB-L-M32U-AD-T516-1C1
			110 V AC	QS-1/4	568298	VUVB-L-M32U-AD-T14-2AC1
				QS-5/16	568299	VUVB-L-M32U-AD-T516-2AC1
	N	Normally open, external pilot air supply, pneumatic spring return	24 V DC	QS-1/4	568290	VUVB-L-M32U-AZD-T14-1C1
				QS-5/16	568291	VUVB-L-M32U-AZD-T516-1C1
			110 V AC	QS-1/4	568306	VUVB-L-M32U-AZD-T14-2AC1
				QS-5/16	568307	VUVB-L-M32U-AZD-T516-2AC1
4/2-way valves, single solenoid						
	M	Normally open, internal pilot air supply, pneumatic spring return	24 V DC	QS-1/4	568284	VUVB-L-M42-AD-T14-1C1
				QS-5/16	568285	VUVB-L-M42-AD-T516-1C1
			110 V AC	QS-1/4	568300	VUVB-L-M42-AD-T14-2AC1
				QS-5/16	568301	VUVB-L-M42-AD-T516-2AC1
	M	Normally open, external pilot air supply, pneumatic spring return	24 V DC	QS-1/4	568292	VUVB-L-M42-AZD-T14-1C1
				QS-5/16	568293	VUVB-L-M42-AZD-T516-1C1
			110 V AC	QS-1/4	568308	VUVB-L-M42-AZD-T14-2AC1
				QS-5/16	568309	VUVB-L-M42-AZD-T516-2AC1
4/2-way valves, double solenoid						
	J	Normally open, internal pilot air supply	24 V DC	QS-1/4	568286	VUVB-L-B42-D-T14-1C1
				QS-5/16	568287	VUVB-L-B42-D-T516-1C1
			110 V AC	QS-1/4	568302	VUVB-L-B42-D-T14-2AC1
				QS-5/16	568303	VUVB-L-B42-D-T516-2AC1
	J	Normally open, external pilot air supply	24 V DC	QS-1/4	568294	VUVB-L-B42-ZD-T14-1C1
				QS-5/16	568295	VUVB-L-B42-ZD-T516-1C1
			110 V AC	QS-1/4	568310	VUVB-L-B42-ZD-T14-2AC1
				QS-5/16	568311	VUVB-L-B42-ZD-T516-2AC1

Solenoid valves VUVB, NPT

Technical data – Individual valves and manifold valves

Ordering data – Semi in-line valves for sub-base or manifold rail									
Circuit symbol	Code	Description	Voltage	Pneumatic connection	Part No.	Type			
3/2-way valves, single solenoid									
	K	Normally closed, external pilot air supply, pneumatic spring return	24 V DC	QS-1/4	568312	VUVB-S-M32C-AZD-T14-1C1			
				QS-5/16	568313	VUVB-S-M32C-AZD-T516-1C1			
				QS-3/8	568314	VUVB-S-M32C-AZD-T38-1C1			
				Without push-in connector	573993	VUVB-S-M32C-AZD-QX-1C1			
			110 V AC	QS-1/4	568324	VUVB-S-M32C-AZD-T14-2AC1			
				QS-5/16	568325	VUVB-S-M32C-AZD-T516-2AC1			
				QS-3/8	568326	VUVB-S-M32C-AZD-T38-2AC1			
				Without push-in connector	573995	VUVB-S-M32C-AZD-QX-2AC1			
			230 V AC	Without push-in connector	573997	VUVB-S-M32C-AZD-QX-3AC1			
			12 V DC / 24 V AC		573999	VUVB-S-M32C-AZD-QX-5WC1			
				N	Normally open, external pilot air supply, pneumatic spring return	24 V DC	QS-1/4	568315	VUVB-S-M32U-AZD-T14-1C1
							QS-5/16	568316	VUVB-S-M32U-AZD-T516-1C1
QS-3/8	568317	VUVB-S-M32U-AZD-T38-1C1							
Without push-in connector	573994	VUVB-S-M32U-AZD-QX-1C1							
110 V AC	QS-1/4	568327				VUVB-S-M32U-AZD-T14-2AC1			
	QS-5/16	568328				VUVB-S-M32U-AZD-T516-2AC1			
	QS-3/8	568604				VUVB-S-M32U-AZD-T38-2AC1			
	Without push-in connector	573996				VUVB-S-M32U-AZD-QX-2AC1			
230 V AC	Without push-in connector	573998				VUVB-S-M32U-AZD-QX-3AC1			
12 V DC / 24 V AC		574000				VUVB-S-M32U-AZD-QX-5WC1			
4/2-way valves, single solenoid									
	M	Normally open, external pilot air supply, pneumatic spring return				24 V DC	QS-1/4	568318	VUVB-S-M42-AZD-T14-1C1
			QS-5/16	568319	VUVB-S-M42-AZD-T516-1C1				
			QS-3/8	568320	VUVB-S-M42-AZD-T38-1C1				
			110 V AC	QS-1/4	568605	VUVB-S-M42-AZD-T14-2AC1			
				QS-5/16	568606	VUVB-S-M42-AZD-T516-2AC1			
				QS-3/8	568607	VUVB-S-M42-AZD-T38-2AC1			
			24 V DC	Without push-in connector	537534	VUVB-S-M42-AZD-QX-1C1			
			110 V AC		537632	VUVB-S-M42-AZD-QX-2AC1			
			230 V AC		537636	VUVB-S-M42-AZD-QX-3AC1			
			12 V DC / 24 V AC		545376	VUVB-S-M42-AZD-QX-5WC1			
			4/2-way valves, double solenoid						
				J	Normally open, external pilot air supply	24 V DC	QS-1/4	568321	VUVB-S-B42-ZD-T14-1C1
QS-5/16	568322	VUVB-S-B42-ZD-T516-1C1							
QS-3/8	568323	VUVB-S-B42-ZD-T38-1C1							
110 V AC	QS-1/4	568608				VUVB-S-B42-ZD-T14-2AC1			
	QS-5/16	568609				VUVB-S-B42-ZD-T516-2AC1			
	QS-3/8	568610				VUVB-S-B42-ZD-T38-2AC1			
24 V DC	Without push-in connector	537535				VUVB-S-B42-ZD-QX-1C1			
110 V AC		537633				VUVB-S-B42-ZD-QX-2AC1			
230 V AC		537637				VUVB-S-B42-ZD-QX-3AC1			
12 V DC / 24 V AC		545377				VUVB-S-B42-ZD-QX-5WC1			

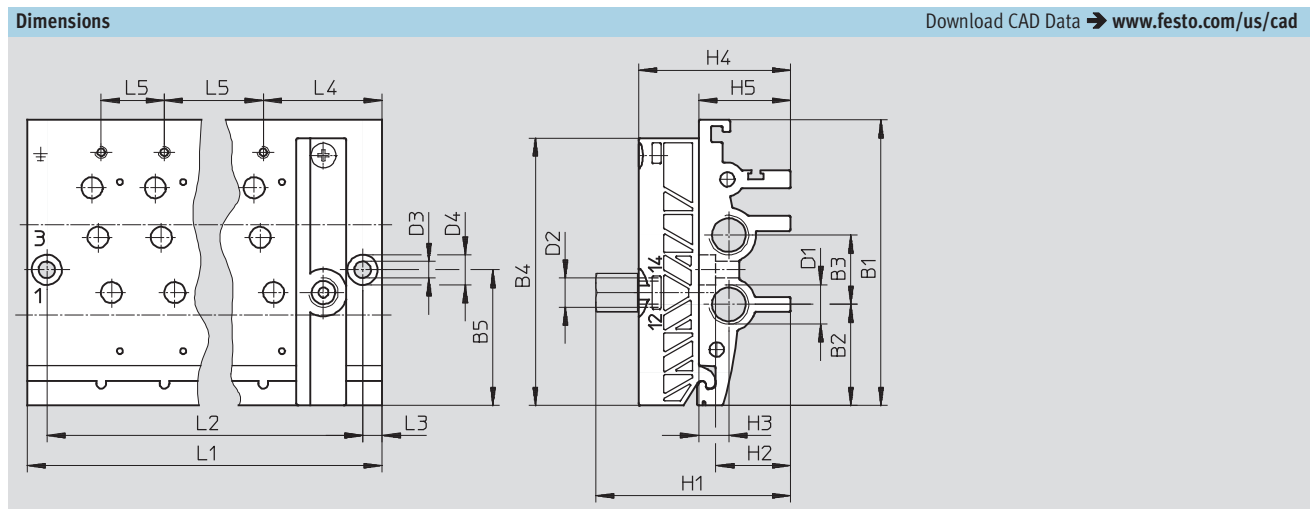
Solenoid valves VUVB, NPT

Technical data – Manifold rail



Manifold rail 1/4 NPT VABM

Material:
Wrought aluminium alloy



Note
The manifold rail is supplied with an adapter for NPT.

Type	L1 ±0.1	L2 ±0.1	L3 ±0.1	L4 ±0.1	L5 ±0.1	B1 ±0.1	B2 ±0.1	B3 ±0.1	B4	B5	D1	D2	D3 H13	D4 H13	H1	H2	H3 ±0.2	H4	H5 ±0.2
VABM-B6-E-N14-2	85	72	6.5	39.5	21	94.7	33.5	23	88.7	45	1/4 NPT	1/8 NPT	5.5	10	64.7	24.8	10	50.5	30.5
VABM-B6-E-N14-4	127	114																	
VABM-B6-E-N14-6	169	156																	
VABM-B6-E-N14-8	211	198																	
VABM-B6-E-N14-10	253	240																	

Ordering data		
Valve positions	CRC	Part No. Type
2	2 ¹⁾	568185 VABM-B6-E-N14-2
4	2 ¹⁾	568186 VABM-B6-E-N14-4
6	2 ¹⁾	568187 VABM-B6-E-N14-6
8	2 ¹⁾	568188 VABM-B6-E-N14-8
10	2 ¹⁾	568189 VABM-B6-E-N14-10

1) Corrosion resistance class 2 according to Festo standard 940 070
Components subject to moderate corrosion stress. Externally visible parts with primarily decorative surface requirements which are in direct contact with a normal industrial environment or media such as coolants or lubricating agents.

Solenoid valves VUVB, NPT

Technical data – Manifold rail

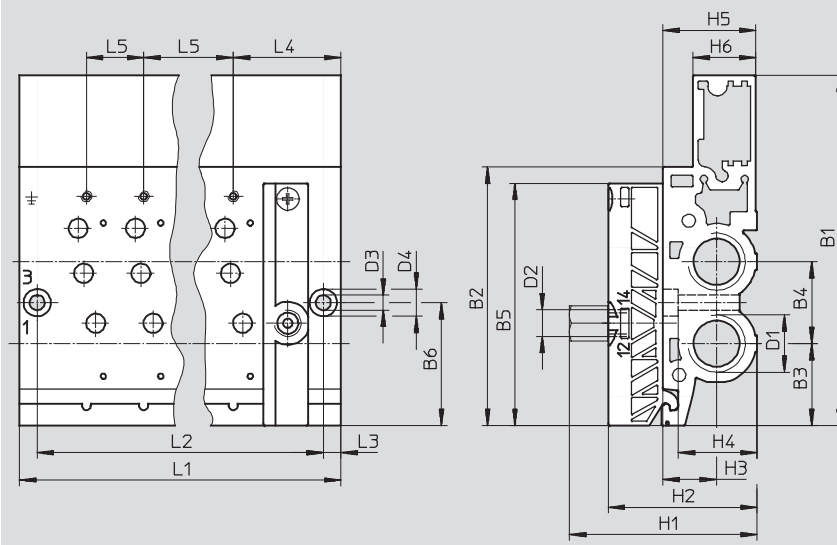
Manifold rail 1/2 NPT VABM

Material:
Wrought aluminium alloy



Dimensions

Download CAD Data → www.festo.com/us/cad



Note

The manifold rail is supplied with an adapter for NPT.

Type	L1 ±0.1	L2 ±0.1	L3 ±0.1	L4 ±0.1	L5 ±0.1	B1 ±0.25	B2 ±0.2	B3 ±0.2	B4 ±0.2	B5	B6	D1	D2	D3 H13	D4 H13	H1	H2	H3 ±0.2	H4	H5 ±0.2	H6
VABM-B6-E-N12-2	85	72	6.5	39.5	21	128.25	94.7	30	30	88.7	45	1/2 NPT	1/8 NPT	5.5	10	68.7	54.8	19.7	28.8	34	23
VABM-B6-E-N12-4	127	114																			
VABM-B6-E-N12-6	169	156																			
VABM-B6-E-N12-8	211	198																			
VABM-B6-E-N12-10	253	240																			

Ordering data

Valve positions	CRC	Part No.	Type
2	2 ¹⁾	570725	VABM-B6-E-N12-2
4	2 ¹⁾	570726	VABM-B6-E-N12-4
6	2 ¹⁾	570727	VABM-B6-E-N12-6
8	2 ¹⁾	570728	VABM-B6-E-N12-8
10	2 ¹⁾	570729	VABM-B6-E-N12-10

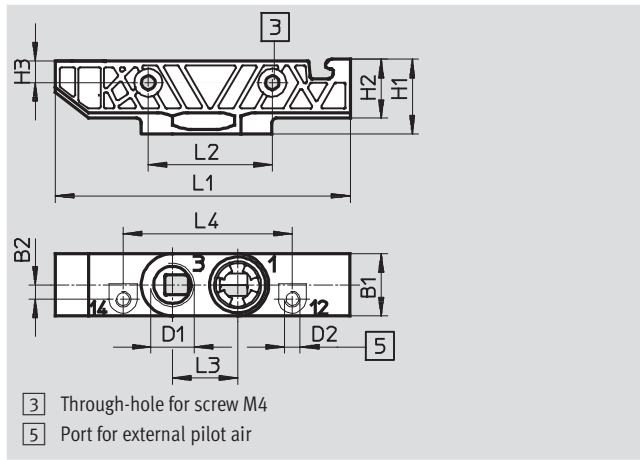
1) Corrosion resistance class 2 according to Festo standard 940 070
Components subject to moderate corrosion stress. Externally visible parts with primarily decorative surface requirements which are in direct contact with a normal industrial environment or media such as coolants or lubricating agents.

Solenoid valves VUVB, NPT

Technical data – Sub-base

Sub-base VABS

Material:
Reinforced polyamide



Note

Sub-base has G-thread.
Adapter for NPT thread (9396) must be ordered separately.
→ Page 48

Type	D1	D2	B1	B2	H1	H2	H3	L1	L2	L3	L4
VABS-B6-PB-Q	G1/4	M5	20	4.6	23.5	18.5	7	95	40	21	54.55

Ordering data						
Valve positions	Description	Compressed air supply connection	Weight [g]	CRC	Part No.	Type
1	Internal pilot air supply	Cartridge	22	2 ¹⁾	537518	VABS-B6-PB-Q-B
1	External pilot air supply	Cartridge	22	2 ¹⁾	537519	VABS-B6-PB-Q

1) Corrosion resistance class 2 according to Festo standard 940 070
Components subject to moderate corrosion stress. Externally visible parts with primarily decorative surface requirements which are in direct contact with a normal industrial environment or media such as coolants or lubricating agents.

Valve terminals VTUB, NPT

Peripherals overview

Overview – Valve terminal VTUB

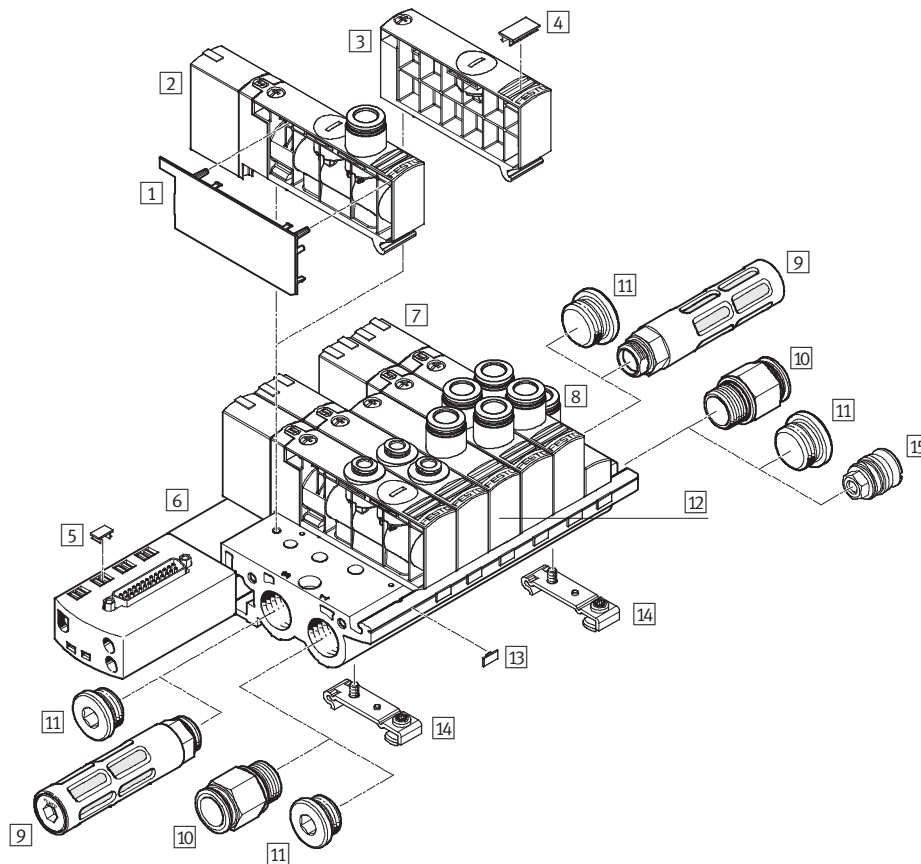
Valve terminal with electrical multi-pin plug connection

- 25-pin Sub-D multi-pin plug connection
Code: SD

Valve terminals with electrical multi-pin plug connection are available in gradations from 2 to max. 10 valve positions.

Each valve position can either be equipped with a valve or a blanking plate.

A maximum of 20 solenoid coils can be actuated via the electrical multi-pin plug connection.



Note

Valve terminals are available for 4, 6, 8 and 10 valve positions in connection size 1/2 NPT.

Valve terminals VTUB, NPT

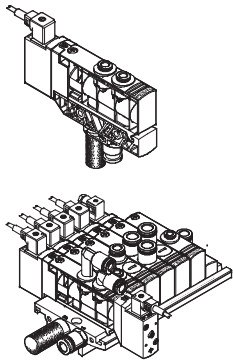
Peripherals overview

Accessories		
	Brief description	→ Page/Internet
1	Cover for valve housing VAMC	46
2	Single solenoid valve VUVB-...-M--	35
3	Blanking plate VABB	Blanking plate VABB: for vacant position, with blanking plug 44
4	Inscription label IBS-9x17	For identifying the valves 49
5	Inscription label IBS-6x10	49
6	Manifold rail VABM-B6-E-N...-M1	With multi-pin plug connection, for connecting max. 16 valves 41
7	Double solenoid valve VUVB-...-B--	35
8	Pressure zone supply module	For pilot air supply (included in the scope of delivery of the manifold rail VABM) -
9	Silencer U	For fitting in exhaust ports 49
10	Push-in fitting QS	For connecting compressed air tubing with standard O.D. 48
11	Blanking plug B	49
12	Pressure zone supply module VABF	Pressure zone supply module VABF: with cartridge 43
13	Inscription label MH-BZ-80X	For identifying the manifold rail 49
14	H-rail mounting kit VAME	For mounting on the H-rail NRH-35-2000 49
15	Separator for pressure zones VABD	For mounting in the manifold rail 44

Valve terminals VTUB, NPT

Key features

Individual connection

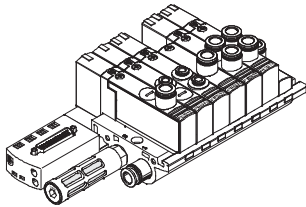


Connection is independent of the control technology used and is flexible thanks to pre-assembled cables. There are two different valve types; in-line valves and semi in-line valves for manifold rails or individual sub-bases. Between 2 ... 20 solenoid coils (divided between 2 ... 10 valve positions) can be selected with individual connection.

Valves can be used on individual sub-bases for actuators further away from the valve terminal. With an individual electrical connection, the plug is connected directly to the valve. A number of plug sockets/plug sockets with cable can be selected for the valve terminal and for the individual sub-base:

- KMEB-1-...-LED with signal status display
- KMEB-1-230AC-... can be used up to 230 V AC
- MSSD-EB for self-assembly
- KMEB-2-24-... with signal status display
- Illuminating seal MEB-LD for signal status display

Multi-pin plug connection



Control signals from the controller to the valve terminal are transmitted via a pre-assembled multi-core cable, which substantially reduces installation time.

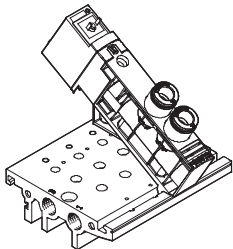
This valve terminal can be equipped with 4 ... 10 valves.

Versions

- Sub-D connection

Double solenoid drive with multi-pin plug connection. The valve is equipped with an LED for signal status display.

Wide range of pneumatic components

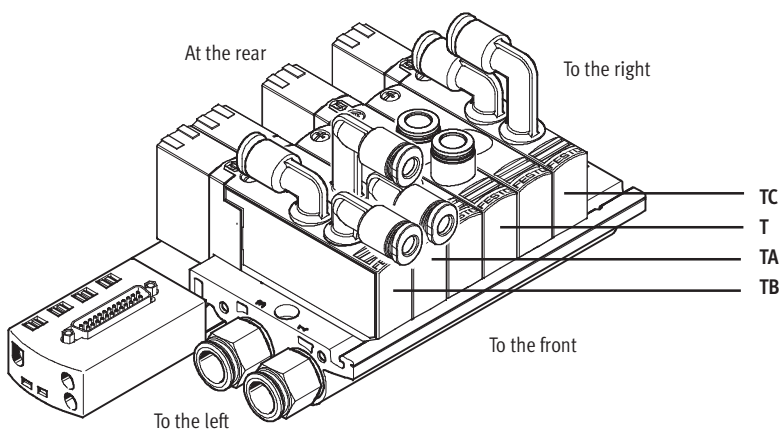


• Using the same basic valves for both the individual valves and the valve manifold permits fast and flexible conversion and multiple use of parts.

• Flexible construction thanks to assembled and tested units or individual components as modules for individual configurations.

• Flow rates from 200 ... 1,000 l/min depending on the respective application through the selection of appropriate QS connections.

Connection to the valve



Connection positions on valve:

- T (on top, straight)
- TA (on top, angled outlet to the front)
- TB (on top, angled outlet to the front/rear)
- TC (on top, angled outlet to the rear)

Connection sizes for connection position T:

- Push-in connector 4 mm (code P4)
- Push-in connector 6 mm (code P6)
- Push-in connector 8 mm (code P8)
- Push-in connector 10 mm (code P10)

Connection sizes for connection position TB/TA/TC:

- Push-in connector 4 mm (code P4)
- Push-in connector 6 mm (code P6)
- Push-in connector 8 mm (code P8)

Valve terminals VTUB, NPT

Key features – Pneumatic components

Instructions for using pressure zones

The valve terminal VTUB can be operated with 2 pressure zones, supplied either from the left or from the right. Pressure zones are created by means of separators that can be used in the following ducts:

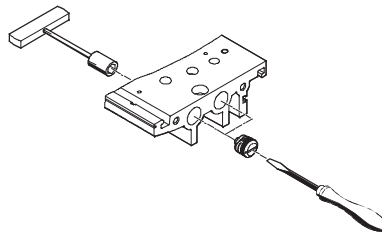
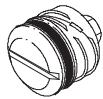
- Supply duct 1 (code TP)
- or
- Supply duct 1 and exhaust duct 3 (code TS) or
- Exhaust duct 3 (code TR)

Duct separation	Code	Description
<p> 1 Pressure zone 1 2 Pressure zone 2 </p>	TP	Duct 1 closed
<p> 1 Pressure zone 1 2 Pressure zone 2 </p>	TS	Duct 1/3 closed
<p> 1 Pressure zone 1 2 Pressure zone 2 </p>	TR	Duct 3 closed

Separator VABD-B6

Note

The separator can also be fitted subsequently using a screwdriver/socket spanner.

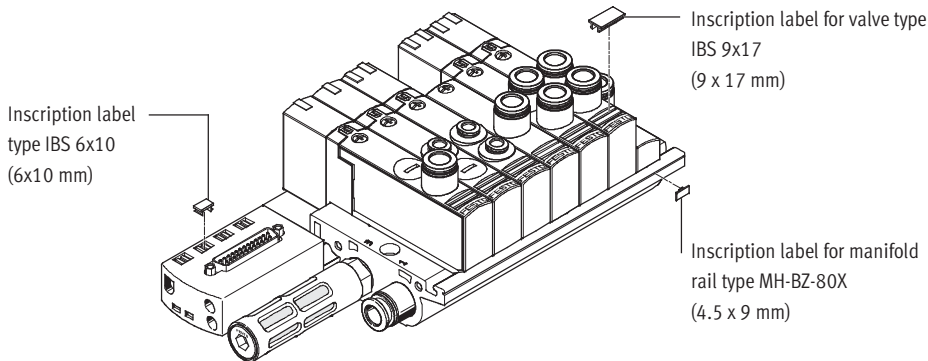


Valve terminals VTUB, NPT

Key features – Display and operation

FESTO

Identification system



Inscription labels can be applied to the valves and manifold rails to identify them.

- Inscription labels for valve type IBS-9x17 Part No. 161937
- Inscription labels for manifold rail type MH-BZ-80X Part No. 197259

Display and operation

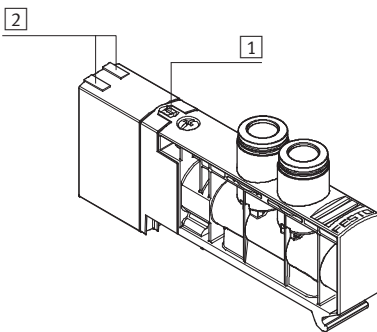
Each solenoid coil can be allocated an LED which indicates its signal status. Suitable plug sockets with cable can be found on page 50. On the multi-pin variant the LED is integrated in the valve.

The manual override (MO) enables the valve to be activated without electronic control or power supply.

The valve is activated by pushing the manual override. The set switching status can be secured by rotating the manual override.

Note

A manually actuated valve (manual override) cannot be reset electrically. Conversely, an electrically actuated valve cannot be reset using the mechanical manual override.



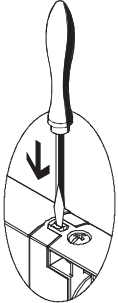
- 1 Optional manual override (pushing and detenting via turning using a screwdriver)
- 2 LED signal status display per solenoid coil

Valve terminals VTUB, NPT

Key features – Display and operation

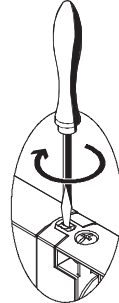
Manual override (MO)

MO with automatic return (non-detenting)



Press in the stem of the MO with a pin or screwdriver.
 → Valve is in switching position
 Remove the pointed object or screwdriver.
 Spring force pushes the stem of the MO back.
 → Valve returns to normal position.

MO with detent (turning with detent)¹⁾



Press in the stem of the MO using a pin or screwdriver until the valve switches and then turn the stem clockwise by 90° until the stop is reached.
 → Valve remains in switching position.
 Turn the stem anti-clockwise by 90° until the stop is reached and then remove the pin or screwdriver.
 Spring force pushes the stem of the MO back.
 → Valve returns to normal position.

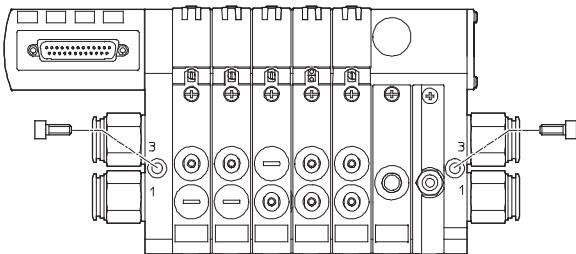
1) Not with double solenoid valve code J for electrical multi-pin plug connection (double solenoid valve)

Mounting – Valve terminal

Sturdy terminal mounting thanks to:

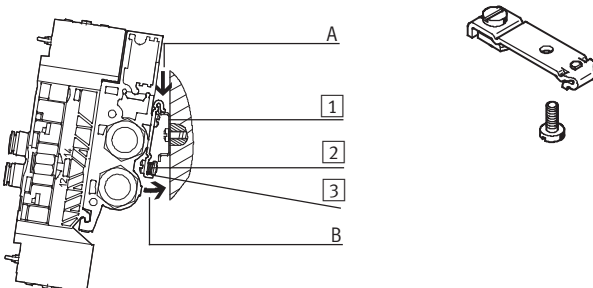
- Two through-holes for wall mounting
- Integrated attachment for H-rail mounting

Wall mounting



The VTUB valve terminal is screwed onto the mounting surface using two M5 screws.

H-rail mounting



The valve terminal VTUB is hooked onto the H-rail (see arrow A). The valve terminal VTUB is then swivelled on the H-rail and secured in place with the clamping component (see arrow B).

- 1 H-rail
- 2 Self-tapping M4x8 screw of the H-rail clamping unit
- 3 Clamping component of the H-rail clamping unit

For H-rail mounting of the valve terminal you will need the mounting kit VAME-B6-T. This permits mounting of the valve terminal on an H-rail to EN 60715.

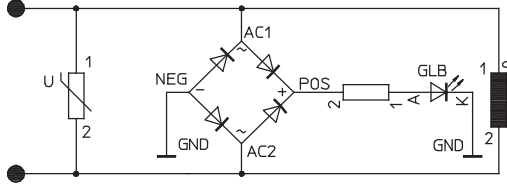
Valve terminals VTUB, NPT

Key features – Electrical components

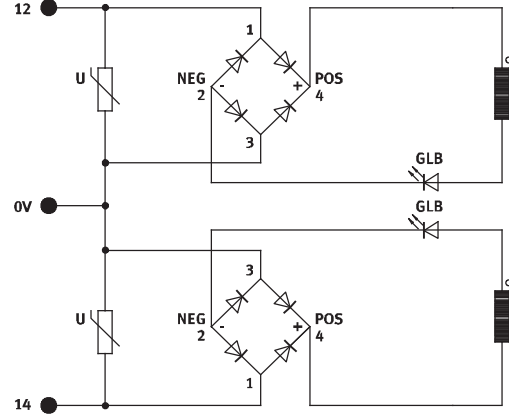


Protective circuits for plug-in valves for multi-pin terminals

24 V DC version for single solenoid valve



24 V DC version for double solenoid valve



Pin allocation – Sub-D plug

	Connecting cable, 25-wire			Connecting cable, 15-wire		
	Pin	Address/coil	Wire colour ¹⁾	Pin	Address/coil	Wire colour ¹⁾
	1	0	WH	1	0	WH
	2	1	BN	2	1	BN
	3	2	GN	3	2	GN
	4	3	YE	4	3	YE
	5	4	GY	5	4	GY
	6	5	PK	6	5	PK
	7	6	BU	7	6	BU
	8	7	RD	8	7	RD
	9	8	BK	9	8	BK
	10	9	VT	10	9	VT
	11	10	GY PK	11	10	GY PK
	12	11	RD BU	12	11	RD BU
	13	12	GN WH	13	-	-
	14	13	BN GN	14	-	-
	15	14	YE WH	15	-	-
	16	15	BN YE	16	-	-
	17	16	GY WH	17	-	-
	18	17	BN GY	18	-	-
	19	18	WH PK	19	-	-
	20	19	BN PK	20	-	-
	21	20	BU WH	21	-	-
	22	21	BN BU	22	-	-
	23	22	RD WH	23	-	WH GN
	24	23	BN RD	24	-	BN GN
	25	0 V	BK WH	25	0 V	WH YE

Note

The drawing shows the view on the pins of the Sub-D plug.

1) To IEC 757

Valve terminals VTUB, NPT

Key features – Applications

FESTO

Equipment

Operate system equipment with unlubricated compressed air if possible. Festo valves and cylinders are designed so that, if used as designated, they will not require additional lubrication and will still achieve a long service life. The quality of compressed air downstream of the compressor must correspond to that of unlubricated compressed air. If possible, do not operate all of your system equipment with lubricated compressed air. The lubricators should, where possible, always be installed directly upstream of the actuator used.

Incorrect additional oil and too high an oil content in the compressed air reduce the service life of the valve terminal.

Use Festo special oil OFSW-32 or the alternatives listed in the Festo catalogue (as specified in DIN 51524 HLP32; basic oil viscosity 32 CST at 40 °C).

Bio-oils

When using bio-oils (oils which are based on synthetic or native ester, e.g. rapeseed oil methyl ester), the maximum residual oil content of 0.1 mg/m³ must not be exceeded (see ISO 8573-1 Class 2).

Mineral oils

When using mineral oils (e.g. HLP oils to DIN 51524, parts 1 to 3) or similar oils based on poly-alpha-olefins (PAO), the maximum residual oil content of 5 mg/m³ must not be exceeded (see ISO 8573-1 Class 4). A higher residual oil content irrespective of the compressor oil cannot be permitted, as the basic lubricant would be flushed out over time.

Valve terminals VTUB, NPT

Type codes – Terminal valves

FESTO

		VUVB	-	S	-	M32C	-	A	Z	D	-	T14	-	1	T1	L
Valve series																
VUVB	Solenoid valve															
Constructional design																
S	Semi in-line valve															
Valve function																
M32C	3/2-way valve, normally closed															
M32U	3/2-way valve, normally open															
M42	4/2-way valve, single solenoid															
B42	4/2-way valve, double solenoid															
Reset method																
-	None (double solenoid)															
A	Pneumatic reset															
Pilot air supply																
-	Internal															
Z	External															
Manual override																
D	Non-detenting/detenting															
Pneumatic connection																
T532	For tubing O.D. $\frac{5}{32}$															
T14	For tubing O.D. $\frac{1}{4}$															
T516	For tubing O.D. $\frac{5}{16}$															
T38	For tubing O.D. $\frac{3}{8}$															
QX	Without push-in connector															
Operating voltage																
1	24 V DC															
Electrical connection																
T1	Plug-in, connection for multi-pin plug															
Signal status display																
L	LED															

Valve terminals VTUB, NPT

Technical data – Terminal valves

FESTO

Voltage

24 V DC

Pressure

-0.9 ... +8 bar

Temperature range

-5 ... +50 °C



General technical data				
Valve function		3/2-way, single solenoid	4/2-way, single solenoid	4/2-way, double solenoid
Design		Piston spool valve		
Sealing principle		Soft		
Actuation type		Electric		
Reset method		Pneumatic spring		-
Type of control		Piloted		
Pilot air supply		Internal or external		
Direction of flow		Non-reversible		
Exhaust function		No flow control		
Manual override		Non-detenting, detenting		Non-detenting
Type of mounting		Via through-hole		
Mounting position		Any		
Width	[mm]	20		
Nominal size	[mm]	7		
Pneumatic connections				
Supply port	1	1/2 NPT (sub-base)		
Exhaust port	3	1/2 NPT (sub-base)		
Working lines	2/4	3/32 NPT, 1/4 NPT, 3/16 NPT, 3/8 NPT		
External pilot air connection	12/14	3/8 NPT		
Standard nominal flow rate	qnN	[l/min]	200 (3/32 NPT) 500 (1/4 NPT), 800 (3/16 NPT), 1,000 (3/8 NPT)	

Operating and environmental conditions			
Operating medium		Compressed air in accordance with ISO 8573-1:2010 [7:4:4]	
Note on operating/pilot medium		Operation with lubricated medium possible (in which case lubricated operation will always be required)	
Operating pressure	[bar]	-0.9 ... +8	
Operating pressure for valve terminal with internal pilot air supply	[bar]	2 ... 8	
Pilot pressure	[bar]	2 ... 8	
Ambient temperature	[°C]	-5 ... +50	
Temperature of medium	[°C]	-5 ... +50	
Storage temperature ¹⁾	[°C]	-20 ... +40	
Note on materials		RoHS-compliant	

1) Long-term storage

Note

A filter must be installed upstream of valves operated in vacuum mode. This prevents any foreign matter in the intake air getting into the valve (e.g. when operating a suction cup).

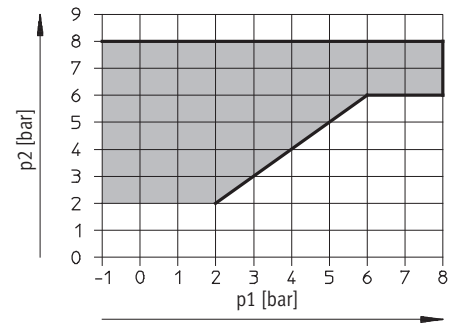
Valve terminals VTUB, NPT

Technical data – Terminal valves

Electrical data				
Valve function		3/2-way, single solenoid	4/2-way, single solenoid	4/2-way, double solenoid
Electrical connection		Socket for multi-pin plug		
Nominal operating voltage	[V DC]	24		
Permissible voltage fluctuations		±10%		
Electrical power consumption	[W]	1.5	1.5	3.3 (following a current reduction 0.1)
Protection class to EN 60529		IP65		

Valve switching times [ms]				
Valve function		3/2-way, single solenoid	4/2-way, single solenoid	4/2-way, double solenoid
On		20	20	–
Off		20	20	–
Changeover		–	–	20

Pilot pressure p2 as a function of operating pressure p1



Materials – Valves

Sectional view	Single solenoid	Double solenoid

1	Housing	Reinforced polyamide
2	Piston spool	Wrought aluminium alloy
–	Seals	Nitrile rubber, hydrogenated nitrile rubber, fluoro elastomer

Materials	
Manifold rail with multi-pin plug	Wrought aluminium alloy
Pressure zone supply module	Reinforced polyamide
Blanking plate for vacant position	Reinforced polyamide

Valve terminals VTUB, NPT

Technical data – Terminal valves

Product weight	
Approx. weight	[g]
Manifold rail with multi-pin plug	
• 4 valve positions	700
• 6 valve positions	925
• 8 valve positions	1160
• 10 valve positions	1390
Pressure zone supply module	30
Valves	
• Single solenoid (code K, N, M)	150
• Double solenoid (code J)	220
Blanking plate for vacant position	25

Dimensions – 3/2-way and 4/2-way valve, single solenoid Download CAD Data → www.festo.com/us/cad

For electrical multi-pin plug

1 Manual override
 2 Fitting QS
 3 LED display
 4 Plug for electrical interlinking

Type	B1	D1	H1	H2	L1	L2	L3	L5
VUVB-S-M32...-T14	20	M4	54	60.3	128.95	81.5	45	15
VUVB-S-M32...-T516			61					
VUVB-S-M32...-T38			65					

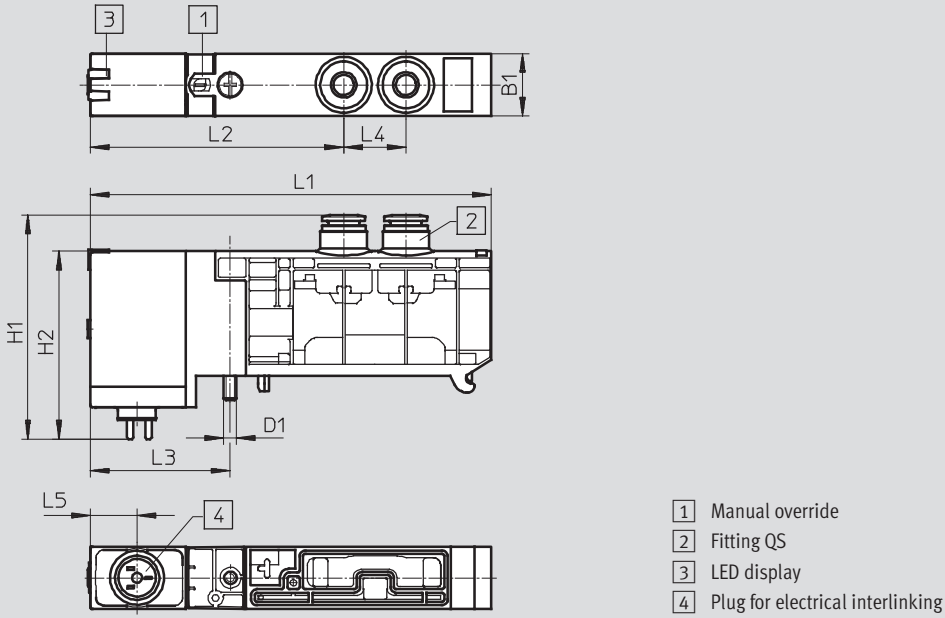
Valve terminals VTUB, NPT

Technical data – Terminal valves

Dimensions – 4/2-way valve, double solenoid

Download CAD Data → www.festo.com/us/cad

For electrical multi-pin plug



Type	B1	D1	H1	H2	L1	L2	L3	L4	L5
VUVB-S-B42...-T14	20	M4	54	60.3	128.95	81.5	45	20	15
VUVB-S-B42...-T516			61						
VUVB-S-B42...-T38			65						

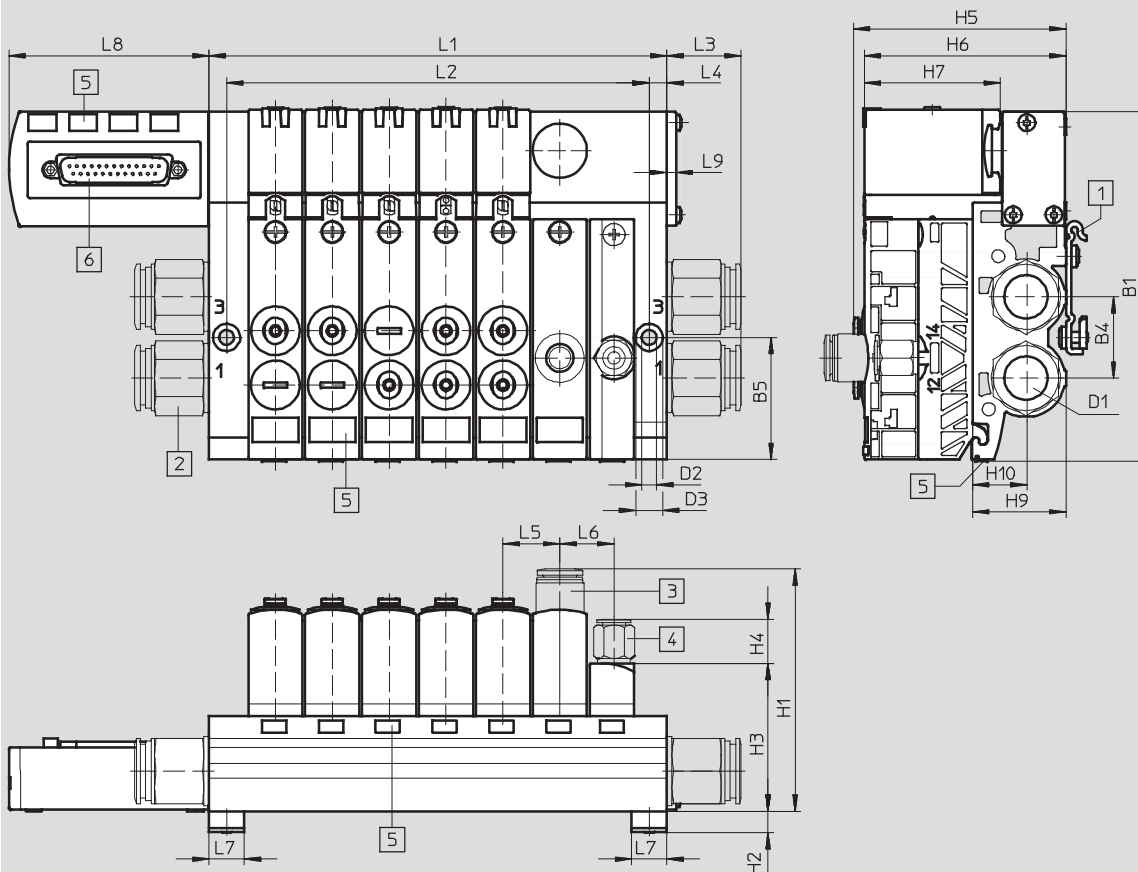
Valve terminals VTUB, NPT

Technical data – Terminal valves

Dimensions – Valve terminal

Download CAD Data → www.festo.com/us/cad

With electrical multi-pin plug



- 1 Attachment VAME-B6-T (optional) for mounting rail
- 2 Push-in fittings (optional)
- 3 Push-in fittings (optional, only with pressure zone supply module; blanking plate only with blanking plug)
- 4 Push-in fitting for external pilot air supply, with adapter for NPT
- 5 Inscription label (optional)
- 6 Selector plate for internal/external pilot air
- 7 Sub-D plug

Type	B1	B4	B5	D1	D2 ∅ H13	D3 ∅ H13	H1	H2	H3	H4	H6	H7	H9	H10	L1 ± 0.2	L2 ± 0.2	L3	L4	L5	L6	L7	L8	L9
VTUB-4--	129.1	30	4	NPT	5.5	10	89.4	8	54.5	30.6	74.5	50.1	34.5	19.7	127	114	27.4	6.5	21	20	13	73.8	3.5
VTUB-6--				1/2											169	156							
VTUB-8--															211	198							
VTUB-10--															253	240							

Type	H5
QSPK18-1/4-U-100	78.9
QSPK18-3/16-U-100	85.7
QSPK18-3/8-U-100	89.5

Valve terminals VTUB, NPT

Technical data – Terminal valves

Ordering data – Valves for valve terminal						
Circuit symbol	Code	Description	Voltage	Pneumatic connection	Part No.	Type
3/2-way valves						
	K	Normally closed, external pilot air supply, pneumatic spring return	24 V DC	QS-1/4	568611	VUVB-S-M32C-AZD-T14-1T1L
				QS-5/16	568612	VUVB-S-M32C-AZD-T516-1T1L
				QS-3/8	568613	VUVB-S-M32C-AZD-T38-1T1L
				Without push-in connector	574001	VUVB-S-M32C-AZD-QX-1T1L
	N	Normally open, external pilot air supply, pneumatic spring return	24 V DC	QS-1/4	568614	VUVB-S-M32U-AZD-T14-1T1L
				QS-5/16	568615	VUVB-S-M32U-AZD-T516-1T1L
				QS-3/8	568616	VUVB-S-M32U-AZD-T38-1T1L
				Without push-in connector	574002	VUVB-S-M32U-AZD-QX-1T1L
4/2-way valves, single solenoid						
	M	External pilot air supply, pneumatic spring return	24 V DC	QS-1/4	568617	VUVB-S-M42-AZD-T14-1T1L
				QS-5/16	568618	VUVB-S-M42-AZD-T516-1T1L
				QS-3/8	568619	VUVB-S-M42-AZD-T38-1T1L
				Without push-in connector	537640	VUVB-S-M42-AZD-QX-1T1L
4/2-way valves, double solenoid						
	J	External pilot air supply	24 V DC	QS-1/4	568620	VUVB-S-B42-ZD-T14-1T1L
				QS-5/16	568621	VUVB-S-B42-ZD-T516-1T1L
				QS-3/8	568622	VUVB-S-B42-ZD-T38-1T1L
				Without push-in connector	537641	VUVB-S-B42-ZD-QX-1T1L

Valve terminals VTUB, NPT

Technical data – Manifold rail



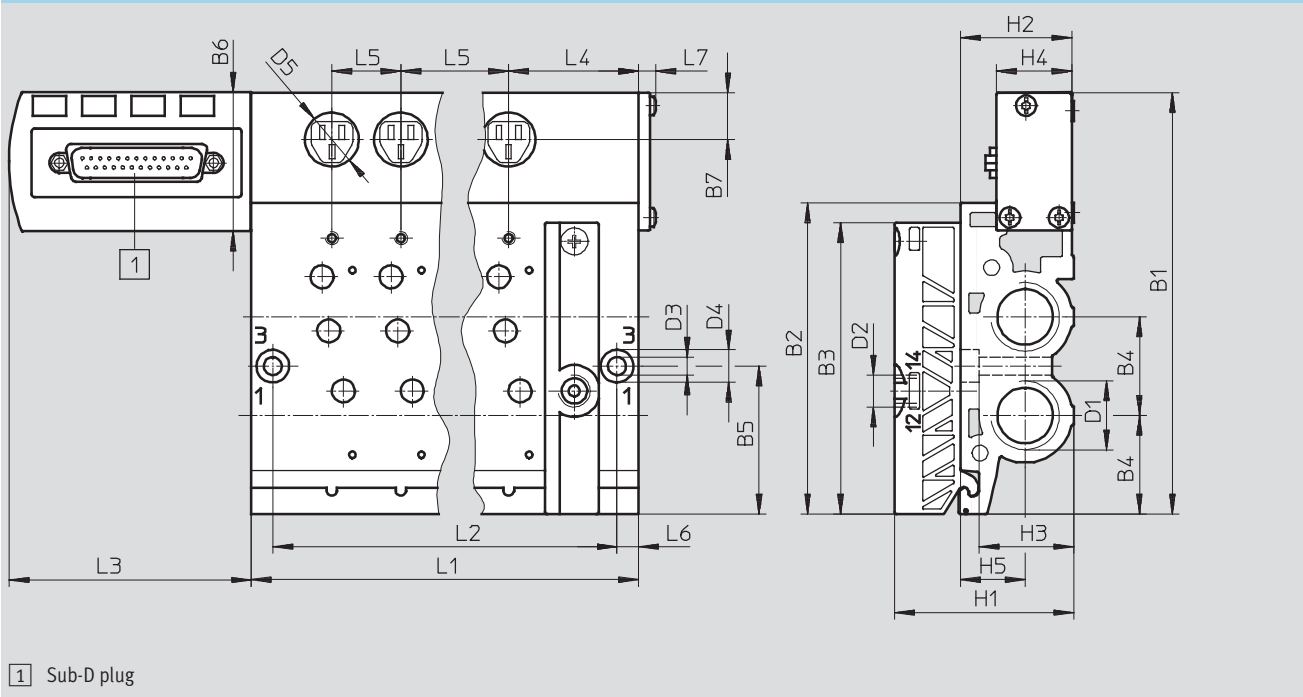
Manifold rail with electrical multi-pin plug

VABM-...-M1

Material:
Wrought aluminium alloy



Dimensions Download CAD Data → www.festo.com/us/cad



Note
The manifold rail is supplied with an adapter for NPT.

Type	B1	B2	B3	B4 ± 0.2	B5	B6	B7	D1	D2	D3 ∅ H13	D4 ∅ H13	D5 ∅	H1	H2	H3	H4	H5	H6 ±0.2
VABM-B6-E-N12-4-M1	128.3	94.7	88.7	30	45	42.2	14.3	1/2NPT	1/8NPT	5.5	10	16.4	68.7	54.5	34	28.8	23	19.7
VABM-B6-E-N12-6-M1																		
VABM-B6-E-N12-8-M1																		
VABM-B6-E-N12-10-M1																		

Type	L1	L2	L3	L4 ±0.1	L5 ±0.1	L6 ±0.1	L7
VABM-B6-E-N12-4-M1	127	114	73.8	39.5	21	6.5	5.4
VABM-B6-E-N12-6-M1	169	156					
VABM-B6-E-N12-8-M1	211	198					
VABM-B6-E-N12-10-M1	253	240					

Valve terminals VTUB, NPT

Technical data – Manifold rail

Ordering data		
CRC	Part No.	Type
2 ¹⁾	568181	VABM-B6-E-N12-4-M1
2 ¹⁾	568182	VABM-B6-E-N12-6-M1
2 ¹⁾	568183	VABM-B6-E-N12-8-M1
2 ¹⁾	568184	VABM-B6-E-N12-10-M1

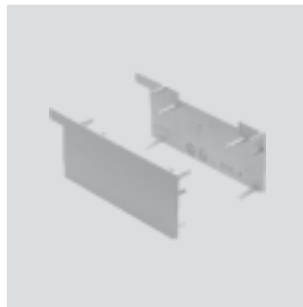
1) Corrosion resistance class 2 according to Festo standard 940 070
Components subject to medium corrosion stress. Externally visible parts with primarily decorative surface requirements which are in direct contact with a normal industrial environment or media such as coolants or lubricating agents.

Solenoid valves VUVB/valve terminals VTUB, NPT

Accessories

Cover for valve housing VAMC

Material:
Polyamide

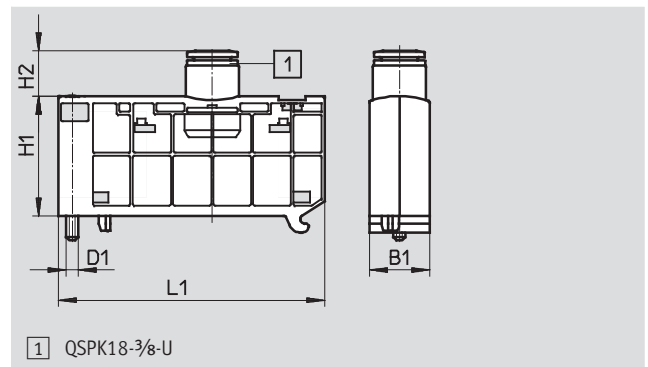


Ordering data		Part No.	Type
CRC			
2 ¹⁾		537512	VAMC-B6-C

1) Corrosion resistance class 2 according to Festo standard 940 070
Components subject to moderate corrosion stress. Externally visible parts with primarily decorative surface requirements which are in direct contact with a normal industrial environment or media such as coolants or lubricating agents.

Pressure zone supply module VABF

Material:
Reinforced polyamide



Type	D1	B1	H1	H2	L1
VABF-B6-...	M4	20	40	15	88.5

Ordering data		CRC	Part No.	Type
For individual electrical connection	With cartridge QSPK18-3/8-U	2 ¹⁾	568624	VABF-B6-P1A5-T38
For multi-pin plug connection	With cartridge QSPK18-3/8-U and cover cap for multi-pin plug connection	2 ¹⁾	568623	VABF-B6-P1A9-T38

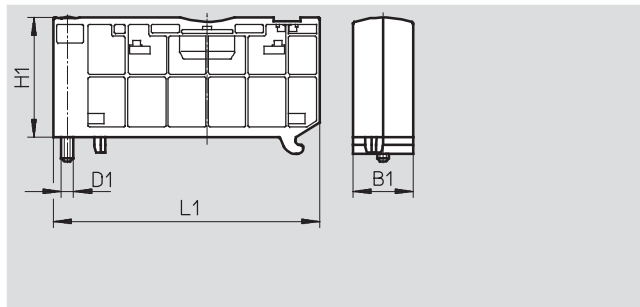
1) Corrosion resistance class 2 according to Festo standard 940 070
Components subject to moderate corrosion stress. Externally visible parts with primarily decorative surface requirements which are in direct contact with a normal industrial environment or media such as coolants or lubricating agents.

Solenoid valves VUVB/valve terminals VTUB, NPT

Accessories

Blanking plate VABB

Material:
Reinforced polyamide



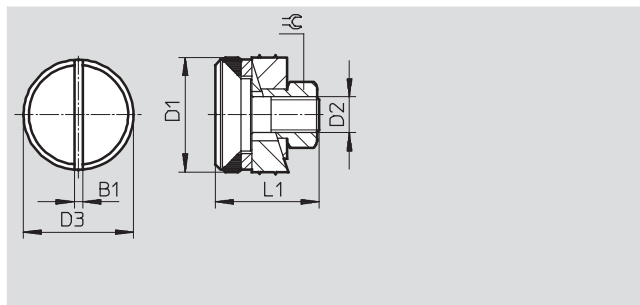
Type	B1	D1	H1	L1
VABB-B-6-E	20	M4	40	88.5

Ordering data				
		CRC	Part No.	Type
For individual electrical connection	-	2 ¹⁾	537513	VABB-B6-E
For multi-pin plug connection	With cover cap for multi-pin plug connection	2 ¹⁾	537623	VABB-B6-ET

1) Corrosion resistance class 2 according to Festo standard 940 070
Components subject to moderate corrosion stress. Externally visible parts with primarily decorative surface requirements which are in direct contact with a normal industrial environment or media such as coolants or lubricating agents.

Separator for pressure zones VABD

Material:
Steel



Type	B1	D1	D2	D3	L1	⌀
VABD-B6-14-P-C	1.6	11.7	M4	11.3	13.9	7
VABD-B6-12-P-C	1.4	19	M6	18.3	17.3	10

Ordering data				
Manifold rail		CRC	Part No.	Type
¼ NPT		2 ¹⁾	537515	VABD-B6-14-P-C
½ NPT		2 ¹⁾	537516	VABD-B6-12-P-C

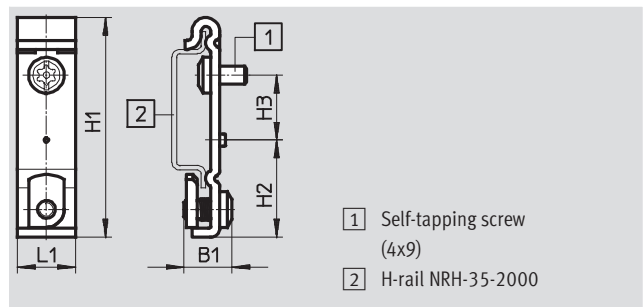
1) Corrosion resistance class 2 according to Festo standard 940 070
Components subject to moderate corrosion stress. Externally visible parts with primarily decorative surface requirements which are in direct contact with a normal industrial environment or media such as coolants or lubricating agents.

Solenoid valves VUVB/valve terminals VTUB, NPT

Accessories

H-rail mounting kit VAME

Material:
Steel



Type	B1	H1	H2	H3	L1
VAME-B6-T	10.7	49.1	21.7	14.5	13

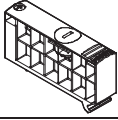
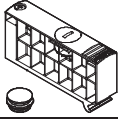
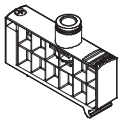
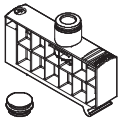
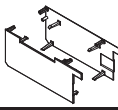
Ordering data	
CRC	Part No. Type
2 ¹⁾	537514 VAME-B6-T

1) Corrosion resistance class 2 according to Festo standard 940 070
Components subject to moderate corrosion stress. Externally visible parts with primarily decorative surface requirements which are in direct contact with a normal industrial environment or media such as coolants or lubricating agents.

Solenoid valves VUVB/valve terminals VTUB, NPT

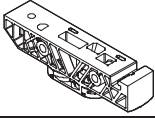

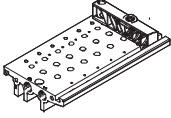
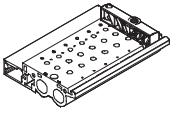
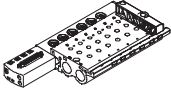

FESTO

Accessories

Ordering data					
	Code	Valve function	Pneumatic connection	Part No.	Type
Blanking plate for vacant position					
	L	For individual electrical connection	–	537513	VABB-B6-E
	L	For multi-pin plug connection with cover cap for electrical multi-pin plug connection	–	537623	VABB-B6-ET
Pressure zone supply module					
	S	Additional supply for individual electrical connection	QS-3/8	568623	VABF-B6-P1A5-Q38
	S	Additional supply for multi-pin plug connection with cover cap for electrical multi-pin plug connection	QS-3/8	568624	VABF-B6-P1A9-Q38
Cover plate for valve housing					
	C	Valve design with cover	–	537512	VAMC-B6-C

Solenoid valves VUVB/valve terminals VTUB, NPT



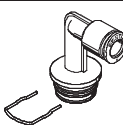

Accessories

Ordering data						
	Code	Description	Valve positions	Compressed air supply connection	Part No.	Type
Sub-base for individual valve						
	-	Internal pilot air supply	1	Cartridge	537518	VABS-B6-PB-Q-B
	-	External pilot air supply	1	Cartridge	537519	VABS-B6-PB-Q
Adapter for individual sub-base						
	-	For thread 1/4 NPT	1	1/4 NPT	9396	AD-G1/4-1/4NPT-I
Manifold rail for individual electrical connection						
	-		2	1/4 NPT	568185	VABM-B6-E-N14-2
			4		568186	VABM-B6-E-N14-4
			6		568187	VABM-B6-E-N14-6
			8		568188	VABM-B6-E-N14-8
			10		568189	VABM-B6-E-N14-10
	-		2	1/2 NPT	570725	VABM-B6-E-N12-2
			4		570726	VABM-B6-E-N12-4
			6		570727	VABM-B6-E-N12-6
			8		570728	VABM-B6-E-N12-8
			10		570729	VABM-B6-E-N12-10
Manifold rail for valve terminal with multi-pin plug connection						
	-		4	1/2 NPT	568181	VABM-B6-E-N12-4-M1
			6		568182	VABM-B6-E-N12-6-M1
			8		568183	VABM-B6-E-N12-8-M1
			10		568184	VABM-B6-E-N12-10-M1
Separator						
	TP, TS,	For duct separation	-	1/4 NPT	537515	VABD-B6-14-P-C
	TR		-	1/2 NPT	537516	VABD-B6-12-P-C

Solenoid valves VUVB/valve terminals VTUB, NPT





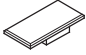

FESTO

Accessories

Ordering data						
	Code	Description	Tubing O.D.	Packaging unit	Part No.	Type
Cartridge with push-in connector						
	-	Straight	5/32	10 pieces	132171	QSPK18-5/32-U
	-		1/4	10 pieces	132172	QSPK18-1/4-U
	-		5/16	10 pieces	132173	QSPK18-5/16-U
	-		3/8	10 pieces	132174	QSPK18-3/8-U
	-	L-shape	5/32	10 pieces	132175	QSPLK18-5/32-U
	-		1/4	10 pieces	132176	QSPLK18-1/4-U
	-		5/16	10 pieces	132177	QSPLK18-5/16-U
	-	Extra-long L-shape	5/32	10 pieces	132178	QSPLLK18-5/32-U
	-		1/4	10 pieces	132179	QSPLLK18-1/4-U
	-		5/16	10 pieces	132180	QSPLLK18-5/16-U
Push-in fitting Technical data → Internet: quick star						
	-	Connection 1/4 NPT	3/8	1 piece	533278	QB-1/4-3/8-U
	-		1/2	1 piece	567771	QB-1/4-1/2-U
	-	Connection 1/2 NPT	3/8	1 piece	533283	QB-1/2-3/8-U
	-		1/2	1 piece	533284	QB-1/2-1/2-U
	-	Connection 1/8 NPT	1/4	1 piece	533273	QB-1/8-1/4-U

Solenoid valves VUVB/valve terminals VTUB, NPT


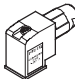
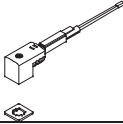
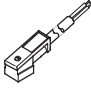
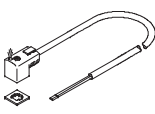
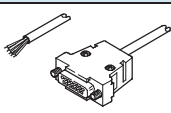
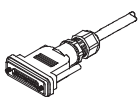

Accessories

Ordering data					
	Code	Description	Packaging unit	Part No.	Type
Blanking plug					
	-	Connection Ø 18 mm	10 pieces	537533	QSPC18
	-	For thread 1/4 NPT	10 pieces	174165	B-1/4-NPT
	-	For thread 1/2 NPT	10 pieces	31785	B-1/2-NPT
Adapter					
	-	For thread 1/8 NPT	1 piece	9395	AD-G1/8-1/8NPT-I
Silencer Technical data → Internet: u					
	-	For thread 1/4 NPT	1 piece	12639	U-1/4-B-NPT
	-	For thread 1/2 NPT	1 piece	12741	U-1/2-B-NPT
Inscription label					
	-	Scope of delivery 24 labels in frame		161937	IBS-9x17
	-	Scope of delivery 80 labels in frame		197259	MH-BZ-80X
	-	Scope of delivery 64 labels in frame		18576	IBS-6x10
H-rail mounting kit					
	H	Attachment of the manifold rails to H-rails to EN 60715-TH35	1 piece	537514	VAME-B6-T

Solenoid valves VUVB/valve terminals VTUB, NPT

FESTO

Accessories

Ordering data						
	Code	Description	Voltage [V]	Cable length [m]	Part No.	Type
Plug socket						Technical data → Internet: mssd-eb
	-	With screw terminals, for self-assembly	Up to 250 AC	-	151687	MSSD-EB
	C		Up to 250 AC	-	539712	MSSD-EB-M12
	-	With insulation displacement connection, for self-assembly	Up to 250 AC	-	192745	MSSD-EB-S-M14
Plug socket with cable for individual electrical connection						Technical data → Internet: kmeb
	-	Switching status display via LED Polyvinyl chloride	24 DC	2.5	151688	KMEB-1-24-2,5-LED
			24 DC	5	151689	KMEB-1-24-5-LED
		Polyvinyl chloride	Up to 240 AC	2.5	151690	KMEB-1-230AC-2,5
			Up to 240 AC	5	151691	KMEB-1-230AC-5
	C1	Switching status display via LED, polyurethane	24 DC	2.5	174844	KMEB-2-24-2,5-LED
	C2	Switching status display via LED, polyurethane	24 DC	5	174845	KMEB-2-24-5-LED
	C1	Polyurethane	Up to 230 AC	2.5	174846	KMEB-2-230AC-2,5
	C2		Up to 230 AC	5	174847	KMEB-2-230AC-5
	-	Switching status display via LED Polyvinyl chloride	24 DC	2.5	547268	KMEB-3-24-2,5-LED
			24 DC	5	547269	KMEB-3-24-5-LED
		Polyvinyl chloride	24 DC	2.5	547270	KMEB-3-24-2,5
			24 DC	5	547271	KMEB-3-24-5
Connecting cable for multi-pin plug to IP40						
	-	Sub-D, 25-pin, up to 20 coils Polyvinyl chloride	24 DC	2.5	530046	KMP6-25P-20-2,5
			24 DC	5	530047	KMP6-25P-20-5
			24 DC	10	530048	KMP6-25P-20-10
	-	Sub-D, 25-pin, up to 12 coils Polyvinyl chloride	24 DC	2.5	530049	KMP6-25P-12-2,5
			24 DC	5	530050	KMP6-25P-12-5
			24 DC	10	530051	KMP6-25P-12-10
Connecting cable for multi-pin plug to IP65						
	M1	Sub-D, 25-pin, up to 12 coils Polyvinyl chloride	24 DC	2.5	538222	NEBV-S1G25-K-2,5-N-LE15
	M2		24 DC	5	538223	NEBV-S1G25-K-5-N-LE15
	M3		24 DC	10	538224	NEBV-S1G25-K-10-N-LE15
	M1	Sub-D, 25-pin, up to 24 coils Polyvinyl chloride	24 DC	2.5	538225	NEBV-S1G25-K-2,5-N-LE25
	M2		24 DC	5	538226	NEBV-S1G25-K-5-N-LE25
	M3		24 DC	10	538227	NEBV-S1G25-K-10-N-LE25
Illuminating seal						
	-	For indicating the signal status	12 ... 24 DC	-	151717	MEB-LD-12-24DC
	-		Up to 230 AC	-	151718	MEB-LD-230AC

Product Range and Company Overview

A Complete Suite of Automation Services

Our experienced engineers provide complete support at every stage of your development process, including: conceptualization, analysis, engineering, design, assembly, documentation, validation, and production.



Custom Automation Components
Complete custom engineered solutions



Custom Control Cabinets
Comprehensive engineering support and on-site services



Complete Systems
Shipment, stocking and storage services

The Broadest Range of Automation Components

With a comprehensive line of more than 30,000 automation components, Festo is capable of solving the most complex automation requirements.



Electromechanical
Electromechanical actuators, motors, controllers & drives



Pneumatics
Pneumatic linear and rotary actuators, valves, and air supply



PLCs and I/O Devices
PLC's, operator interfaces, sensors and I/O devices

Supporting Advanced Automation... As No One Else Can!

Festo is a leading global manufacturer of pneumatic and electromechanical systems, components and controls for industrial automation, with more than 12,000 employees in 56 national headquarters serving more than 180 countries. For more than 80 years, Festo has continuously elevated the state of manufacturing with innovations and optimized motion control solutions that deliver higher performing, more profitable automated manufacturing and processing equipment. Our dedication to the advancement of automation extends beyond technology to the education and development of current and future automation and robotics designers with simulation tools, teaching programs, and on-site services.

Quality Assurance, ISO 9001 and ISO 14001 Certifications

Festo Corporation is committed to supply all Festo products and services that will meet or exceed our customers' requirements in product quality, delivery, customer service and satisfaction.

To meet this commitment, we strive to ensure a consistent, integrated, and systematic approach to management that will meet or exceed the requirements of the ISO 9001 standard for Quality Management and the ISO 14001 standard for Environmental Management.



© Copyright 2008, Festo Corporation. While every effort is made to ensure that all dimensions and specifications are correct, Festo cannot guarantee that publications are completely free of any error, in particular typing or printing errors. Accordingly, Festo cannot be held responsible for the same. For Liability and Warranty conditions, refer to our "Terms and Conditions of Sale", available from your local Festo office. All rights reserved. No part of this publication may be reproduced, distributed, or transmitted in any form or by any means, electronic, mechanical, photocopying or otherwise, without the prior written permission of Festo. All technical data subject to change according to technical update.



Printed on recycled paper at New Horizon Graphic, Inc., FSC certified as an environmentally friendly printing plant.

Festo North America

Festo Regional Contact Center

5300 Explorer Drive
Mississauga, Ontario L4W 5G4
Canada

USA Customers:

For ordering assistance,

Call: 1.800.99.FESTO (1.800.993.3786)

Fax: 1.800.96.FESTO (1.800.963.3786)

Email: customer.service@us.festo.com

For technical support,

Call: 1.866.GO.FESTO (1.866.463.3786)

Fax: 1.800.96.FESTO (1.800.963.3786)

Email: product.support@us.festo.com

Canadian Customers:

Call: 1.877.GO.FESTO (1.877.463.3786)

Fax: 1.877.FX.FESTO (1.877.393.3786)

Email: festo.canada@ca.festo.com

USA Headquarters

Festo Corporation
395 Moreland Road
P.O. Box 18023
Hauppauge, NY 11788, USA
www.festo.com/us

USA Sales Offices

Appleton

North 922 Tower View Drive, Suite N
Greenville, WI 54942, USA

Boston

120 Presidential Way, Suite 330
Woburn, MA 01801, USA

Chicago

1441 East Business Center Drive
Mt. Prospect, IL 60056, USA

Dallas

1825 Lakeway Drive, Suite 600
Lewisville, TX 75057, USA

Detroit – Automotive Engineering Center

2601 Cambridge Court, Suite 320
Auburn Hills, MI 48326, USA

New York

395 Moreland Road
Hauppauge, NY 11788, USA

Silicon Valley

4935 Southfront Road, Suite F
Livermore, CA 94550, USA

United States



USA Headquarters, East: Festo Corp., 395 Moreland Road, Hauppauge, NY 11788

Phone: 1.631.435.0800; Fax: 1.631.435.8026;

Email: info@festo-usa.com

www.festo.com/us

Canada



Headquarters: Festo Inc., 5300 Explorer Drive, Mississauga, Ontario L4W 5G4

Phone: 1.905.624.9000; Fax: 1.905.624.9001;

Email: festo.canada@ca.festo.com

www.festo.ca

Mexico



Headquarters: Festo Pneumatic, S.A., Av. Ceylán 3, Col. Tequesquahuac,
54020 Tlalneantla, Edo. de México

Phone: 011 52 [55] 53 21 66 00; Fax: 011 52 [55] 53 21 66 65;

Email: festo.mexico@mx.festo.com

www.festo.com/mx

Central USA

Festo Corporation
1441 East Business
Center Drive
Mt. Prospect, IL 60056, USA
Phone: 1.847.759.2600
Fax: 1.847.768.9480



Western USA

Festo Corporation
4935 Southfront Road,
Suite F
Livermore, CA 94550, USA
Phone: 1.925.371.1099
Fax: 1.925.245.1286



Festo Worldwide

Argentina Australia Austria Belarus Belgium Brazil Bulgaria Canada Chile China Colombia Croatia Czech Republic Denmark
Estonia Finland France Germany Great Britain Greece Hong Kong Hungary India Indonesia Iran Ireland Israel Italy Japan Latvia
Lithuania Malaysia Mexico Netherlands New Zealand Norway Peru Philippines Poland Romania Russia Serbia Singapore
Slovakia Slovenia South Africa South Korea Spain Sweden Switzerland Taiwan Thailand Turkey Ukraine United States Venezuela

www.festo.com