

Pressure sensors SPAB, with display



# Pressure sensors SPAB

Key features, product range overview

FESTO

## At a glance

### Variants:

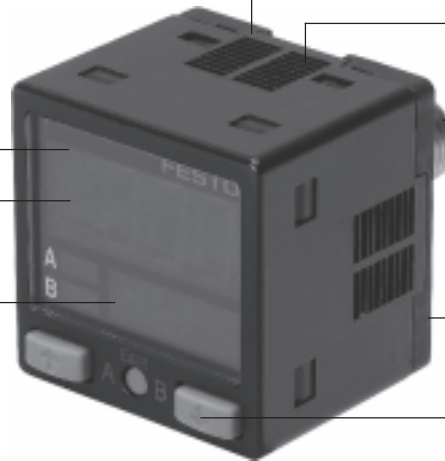
- Plug M8x1 with electric adapter SASC
- Plug, square design L1
- Cable version with connecting cable NEBU
- Threaded mounting
- Angle mounting
- Front panel mounting

### Multi-coloured, two-part display

### Alphanumeric pressure display

### Displayable units:

- bar
- inchH<sub>2</sub>O
- inchHg
- kPa
- psi
- mmHg
- kgf/cm<sup>2</sup>
- MPa



Compact design  
30 x 30 mm

### Country-specific pressure supply ports:

- G<sup>1</sup>/<sub>8</sub>
- R<sup>1</sup>/<sub>8</sub>
- NPT<sup>1</sup>/<sub>8</sub>-27
- M5 female thread

Wall or front panel mounting,  
angle mounting

High ease of use thanks to  
intuitive operator prompting

## Product description

The pressure sensor SPAB can be used in all industries thanks to its wide range of connection and configuration options and its compact size. Switching point settings are emphasised via switching status indication and switching of the display value colour. Once programmed, the settings can be transferred to other pressure sensors SPAB.

## Main applications

- Pressure/vacuum sensing
- Light assembly
- Wherever there is a need for space-saving pressure measurement with visualisation and limited robustness
- Easy identification of the system status by means of clear, colour-based switching status detection

## Key features

- Pressure measuring range –1 ... +1 or 0 ... 10 bar
- Relative pressure measurement
- Pressure supply port G<sup>1</sup>/<sub>8</sub>, R<sup>1</sup>/<sub>8</sub>, NPT<sup>1</sup>/<sub>8</sub>-27 or M5 female thread
- Electrical connection cable, plug M8x1 or plug, square design
- Switching output PNP, NPN and analogue output 1 ... 5 V
- Two-part, multi-coloured display
- Copy function (settings can be transferred from one device to another)
- Simple commissioning thanks to intuitive operation
- Compact design 30x30 mm

# Pressure sensors SPAB

Key features, product range overview

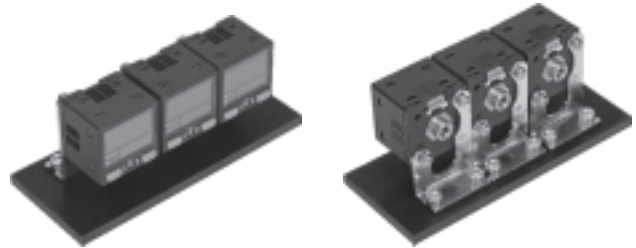
FESTO

## Mounting options

Wall mounting



Manifold sub-bases via mounting bracket



Threaded mounting with adapter M8



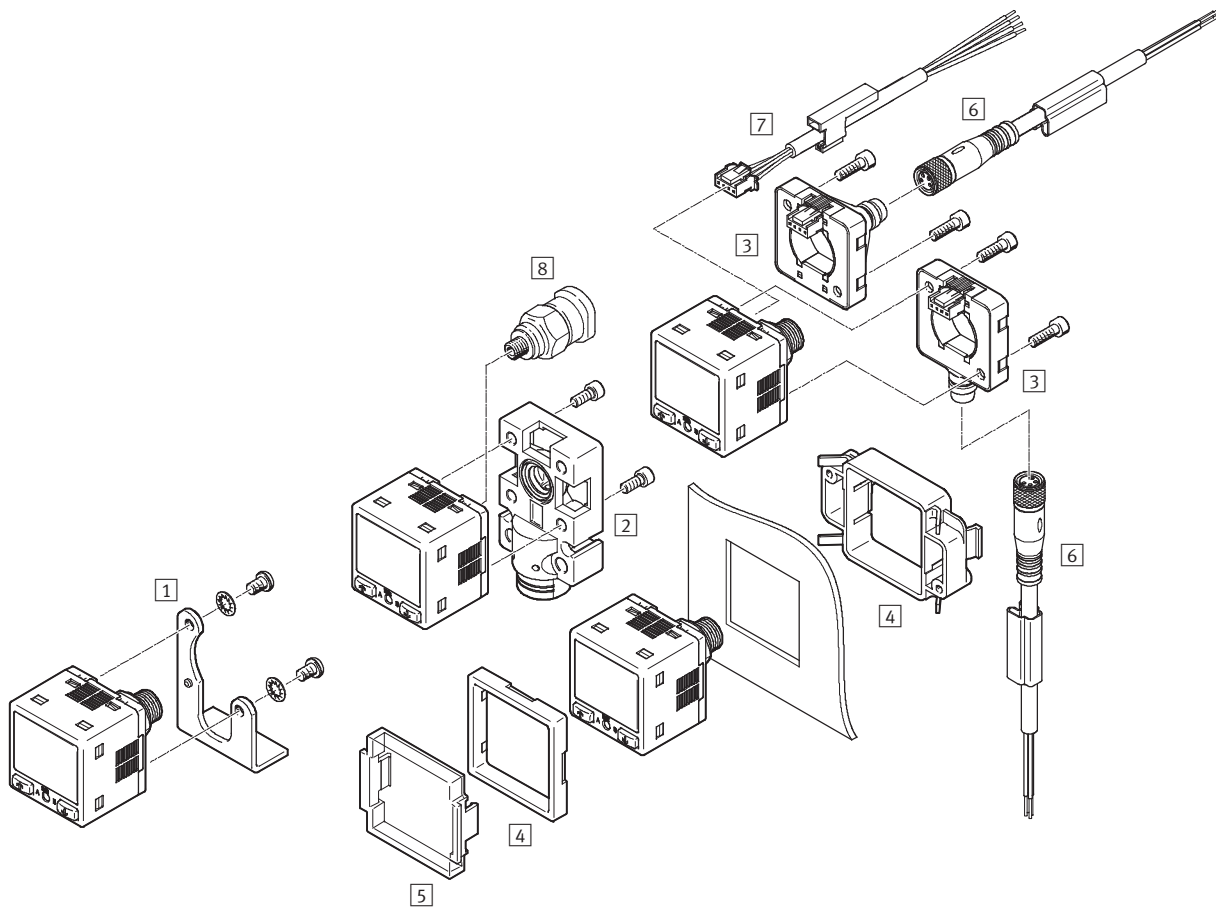
## Product range overview

Measurement method	Measured variable	Pressure measuring range [bar]	Switching function	Pneumatic connection		Electrical output	
				Male thread	Female thread	Digital	Analogue
Piezoresistive pressure sensor with display	1x relative pressure	-1 ... +1 or 0 ... 10	Freely programmable	G $\frac{1}{8}$ , R $\frac{1}{8}$ or NPT $\frac{1}{8}$ -27	M5	1x PNP	1 ... 5 V
						2x PNP	-
						1x NPN	1 ... 5 V
						2x NPN	-

# Pressure sensors SPAB, with display

Peripherals overview

FESTO



Accessories	→ Page/ Internet
1 Mounting bracket SAMH-...-A	10
2 Adapter plate SASF for pressure sensor SPAB-...-F	12
3 Electric adapter SASC-...-A	11
4 Front panel installation kit SAMH-...-F	10

Accessories	→ Page/ Internet
5 Protective cover SACC	10
6 Connecting cable NEBU-M8	13
7 Connecting cable NEBS-L1G4	13
8 Push-in fitting QSM-M5	13

# Pressure sensors SPAB, with display

Type codes

SPAB - P10 R - G18 - PB - L1

**Type**

SPAB	Piezoresistive pressure sensor with multi-coloured display
------	--

**Pressure measuring range [bar]**

B2	-1 ... +1
P10	0 ... 10

**Pressure input**

R	Relative pressure
---	-------------------

**Pneumatic connection**

G18	Male thread G1/8 and female thread M5
R18	Male thread R1/8 and female thread M5
N18	Male thread NPT1/8-27 and female thread M5
F	Female thread M5

**Electrical output**

2P	2 switching outputs PNP
2N	2 switching outputs NPN
PB	1 switching output PNP, 1 analogue output 1 ... 5 V
NB	1 switching output NPN, 1 analogue output 1 ... 5 V

**Electrical connection**

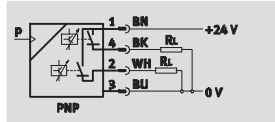
L1	Plug, L1 design
----	-----------------

# Pressure sensors SPAB, with display

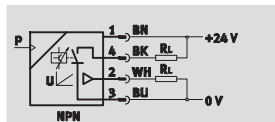
Technical data

Function

E.g. switching output 2x PNP



E.g. switching output NPN, analogue output



Voltage

12 ... 24 V DC

Pressure

-1 ... +10 bar

Temperature range

-10 ... +50 °C



General technical data		
SPAB	-B2	-P10
General information		
Certification	c UL us - Recognized (OL) C-Tick	
CE mark (see declaration of conformity)	To EU EMC Directive <sup>1)</sup>	
Note on materials	Contains PWIS (paint wetting impairment substances) RoHS-compliant	
Input signal/measuring element		
Measured variable	Relative pressure	
Measurement method	Piezoresistive pressure sensor with display	
Pressure measuring range [bar]	-1 ... +1	0 ... 10
Overload capacity [bar]	5	15
Operating medium	Compressed air in accordance with ISO 8573-1:2010 [7:4:4]	
Note on operating/pilot medium	Operation with lubricated medium not possible	
Ambient temperature [°C]	-10 ... +50	

1) For information about the applicability of the component see the manufacturer's EC declaration of conformity at: [www.festo.com](http://www.festo.com) → Support → User documentation.  
If the component is subject to restrictions on usage in residential, office or commercial environments or small businesses, further measures to reduce the emitted interference may be necessary.

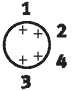
Electrical data								
SPAB	-B2				-P10			
Electrical output	2P	2N	PB	NB	2P	2N	PB	NB
Switching output <sup>1)</sup>								
Switching output	2x PNP	2x NPN	PNP	NPN	2x PNP	2x NPN	PNP	NPN
Switching function	Freely programmable							
Switching element function	Switchable							
Accuracy of FS display [%]	1				2			
Reproducibility of switching value [%]	0.1				0.2			
Max. output current [mA]	100							
Analogue output <sup>1)</sup>								
Analogue output [V]	-		1 ... 5		-		1 ... 5	
Accuracy of analogue output zero point ±FS [%]	-		5		-		5	
Accuracy of analogue output margin ±FS [%]	-		5		-		5	
Reproducibility of analogue value [%]	-		0.2		-		0.2	
Output, additional data								
Protection against short circuit	Yes							

1) % FS = % of the measuring range final value (full scale)

# Pressure sensors SPAB, with display

Technical data

Electrical data								
SPAB	-B2				-P10			
Electrical output	2P	2N	PB	NB	2P	2N	PB	NB
Electronic components								
Operating voltage range DC	[V]	12 ... 24						
Reverse polarity protection	For operating voltage							
Electromechanical components								
Electrical connection	Plug M8x1, 4-pin, round design to EN 60 947-5-2							
	Plug, 4-pin, square design							
	Cable, 4-wire, 2.5 m							

Pin allocation to EN 60947-5-2			
Plug, 4-pin			
M8x1	Pin	Wire colour	Allocation
	1	Brown	Operating voltage +24 V DC
	3	Blue	0 V
	4	Black	Switching output (Out A)
	2	White	Switching output (Out B)/analogue output

Mechanical components				
SPAB	-G18	-R18	-N18	-F
Type of mounting	Screw-in			On adapter plate
	Via accessories			-
Pneumatic connection	Female thread M5			
	Male thread G1/8	Male thread R1/8	Male thread NPT1/8-27	-
Product weight	[g]	45		30
Housing materials	ABS, reinforced			
	PBT, reinforced			

Display/operation		
SPAB	-B2	-P10
Display type	Illuminated LCD, multi-coloured	
Displayable units	bar	bar
	inchH <sub>2</sub> O	-
	inchHg	-
	kPa	kPa
	psi	psi
	mmHg	-
	kgf/cm <sup>2</sup>	kgf/cm <sup>2</sup>
	-	MPa
Switching status display	Yellow LCD	
Setting options	Teach-in	
	Via display and keys	
Tamper protection	PIN code	
Threshold value setting range	[%]	0 ... 100
Hysteresis setting range	[%]	0 ... 90

Immissions/emissions	
Protection class	IP40
Corrosion resistance class CRC <sup>1)</sup>	2

1) Corrosion resistance class 2 according to Festo standard 940 070  
Components subject to moderate corrosion stress. Externally visible parts with primarily decorative surface requirements which are in direct contact with a normal industrial environment or media such as coolants or lubricating agents.

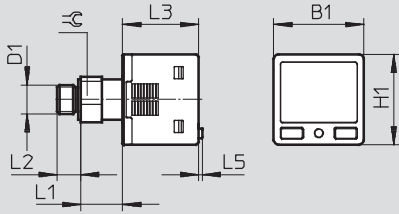
# Pressure sensors SPAB, with display

Technical data

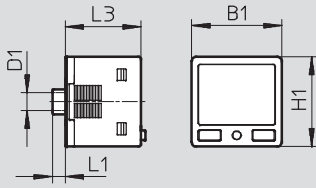
## Dimensions

Download CAD Data → [www.festo.com/us/cad](http://www.festo.com/us/cad)

### SPAB-...-L1



### SPAB-...-F-...-L1



Type	B1	D1	D2	H1	H2	H3	L1	L2	L3	L4	L5	≅
SPAB-...-G18-...-L1	30	G1/8	-	30	-	-	15	7	~25	-	1	14
SPAB-...-R18-...-L1	30	R1/8	-	30	-	-	14	9.5	~25	-	1	12
SPAB-...-N18-...-L1	30	NPT1/8	-	30	-	-	14	9.5	~25	-	1	12
SPAB-...-F-...-L1	30	M5	-	30	-	-	4.4	-	~25	-	-	-



# Pressure sensors SPAB, with display

Technical data

Ordering data			
Pressure measuring range [bar]	Electrical output		Electrical connection
	Digital	Analogue	Plug, square design L1 Part No. Type
<b>Male thread G<sup>1</sup>/<sub>8</sub></b>			
-1 ... +1	1x PNP	1 ... 5 V	8000051 SPAB-B2R-G18-PB-L1
	2x PNP	-	8000045 SPAB-B2R-G18-2P-L1
	1x NPN	1 ... 5 V	8000054 SPAB-B2R-G18-NB-L1
	2x NPN	-	8000048 SPAB-B2R-G18-2N-L1
0 ... 10	1x PNP	1 ... 5 V	8000063 SPAB-P10R-G18-PB-L1
	2x PNP	-	8000057 SPAB-P10R-G18-2P-L1
	1x NPN	1 ... 5 V	8000066 SPAB-P10R-G18-NB-L1
	2x NPN	-	8000060 SPAB-P10R-G18-2N-L1
<b>Male thread R<sup>1</sup>/<sub>8</sub></b>			
-1 ... +1	1x PNP	1 ... 5 V	8000052 SPAB-B2R-R18-PB-L1
	2x PNP	-	8000046 SPAB-B2R-R18-2P-L1
	1x NPN	1 ... 5 V	8000055 SPAB-B2R-R18-NB-L1
	2x NPN	-	8000049 SPAB-B2R-R18-2N-L1
0 ... 10	1x PNP	1 ... 5 V	8000064 SPAB-P10R-R18-PB-L1
	2x PNP	-	8000058 SPAB-P10R-R18-2P-L1
	1x NPN	1 ... 5 V	8000067 SPAB-P10R-R18-NB-L1
	2x NPN	-	8000061 SPAB-P10R-R18-2N-L1
<b>Male thread NPT<sup>1</sup>/<sub>8</sub>-27</b>			
-1 ... +1	1x PNP	1 ... 5 V	8000053 SPAB-B2R-N18-PB-L1
	2x PNP	-	8000047 SPAB-B2R-N18-2P-L1
	1x NPN	1 ... 5 V	8000056 SPAB-B2R-N18-NB-L1
	2x NPN	-	8000050 SPAB-B2R-N18-2N-L1
0 ... 10	1x PNP	1 ... 5 V	8000065 SPAB-P10R-N18-PB-L1
	2x PNP	-	8000059 SPAB-P10R-N18-2P-L1
	1x NPN	1 ... 5 V	8000068 SPAB-P10R-N18-NB-L1
	2x NPN	-	8000062 SPAB-P10R-N18-2N-L1
<b>Female thread M5</b>			
-1 ... +1	1x PNP	1 ... 5 V	8000071 SPAB-B2R-F-PB-L1
	2x PNP	-	8000069 SPAB-B2R-F-2P-L1
	1x NPN	1 ... 5 V	8000072 SPAB-B2R-F-NB-L1
	2x NPN	-	8000070 SPAB-B2R-F-2N-L1
0 ... 10	1x PNP	1 ... 5 V	8000075 SPAB-P10R-F-PB-L1
	2x PNP	-	8000073 SPAB-P10R-F-2P-L1
	1x NPN	1 ... 5 V	8000076 SPAB-P10R-F-NB-L1
	2x NPN	-	8000074 SPAB-P10R-F-2N-L1

# Pressure sensors SPAB, with display

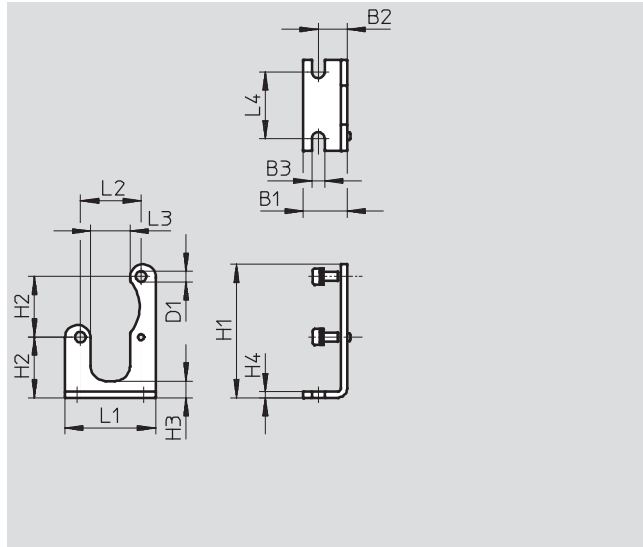
Accessories



## Mounting bracket SAMH

Material:  
Galvanised chromated steel

Note on materials:  
RoHS-compliant

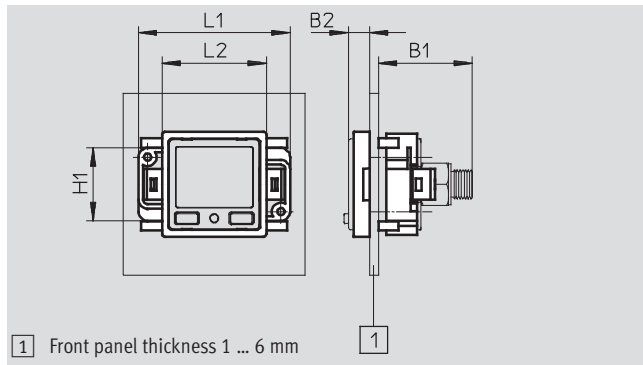


Dimensions and ordering data													Part No.	Type
B1	B2	B3	D1 Ø	H1	H2	H3	H4	L1	L2	L3	L4			
14.5	9.5	4.2	3.5	~44	20	5.5	2	30	20	13	22	<b>552376</b>	<b>SAMH-P4-A</b>	

## Front panel installation kit SAMH

Materials:  
PC, POM

Note on materials:  
RoHS-compliant

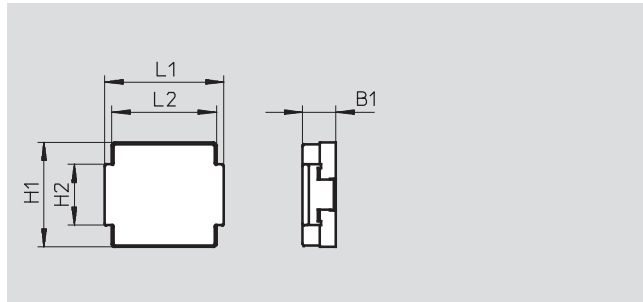


Ordering data							Part No.	Type
B1	B2	H1	L1	L2				
~31	7	24	50	34.5			<b>552377</b>	<b>SAMH-P4-F</b>

## Protective cover SACC

Material:  
PC

Note on materials:  
RoHS-compliant



Dimensions and ordering data							Part No.	Type
B1	H1	H2	L1	L2				
~28	34.5	20	39.3	34.5			<b>552378</b>	<b>SACC-P4-G</b>

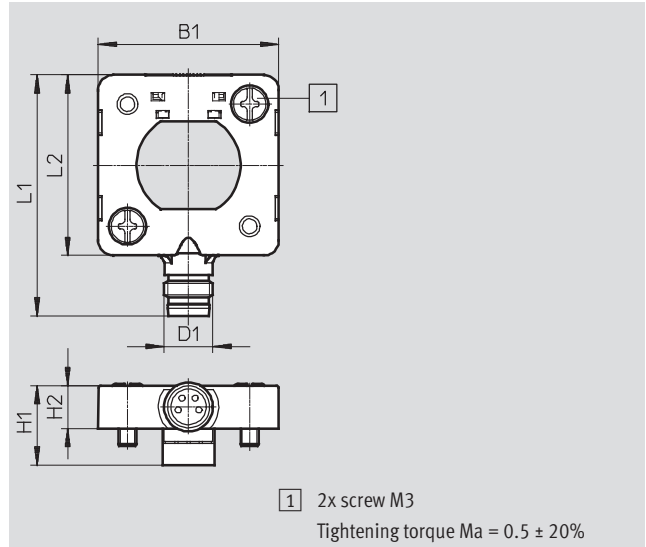
# Pressure sensors SPAB, with display

Accessories

## Electric adapter SASC

Material:  
Housing: PA-reinforced  
Plug housing: Nickel plated brass

Note on materials:  
RoHS-compliant



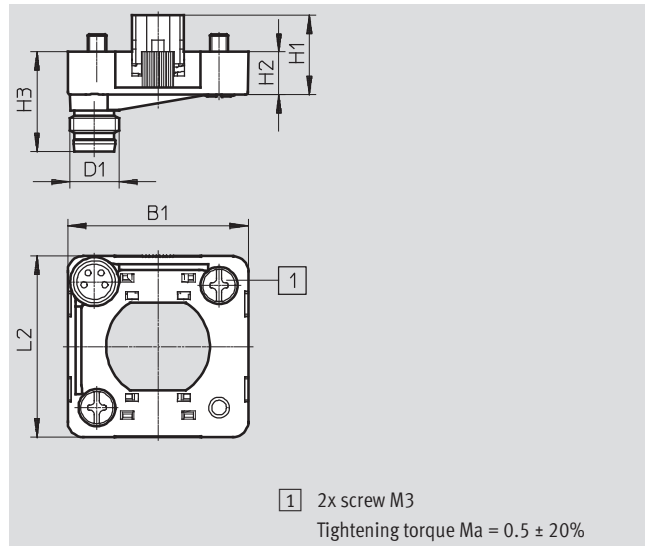
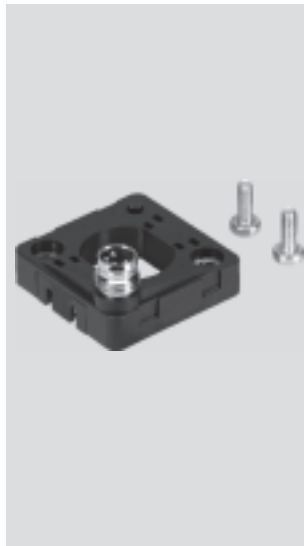
Dimensions and ordering data								
B1	D1 Ø	H1	H2	L1	L2	CRC <sup>1)</sup>	Part No.	Type
29.6	M8x1	13	7	39.5	29.6	2	8000326	SASC-P4-A-M8-A

1) Corrosion resistance class 2 according to Festo standard 940 070  
Components subject to moderate corrosion stress. Externally visible parts with primarily decorative surface requirements which are in direct contact with a normal industrial environment or media such as coolants or lubricating agents.

## Electric adapter SASC

Material:  
Housing: PA-reinforced  
Plug housing: Nickel plated brass

Note on materials:  
RoHS-compliant



Dimensions and ordering data								
B1	D1 Ø	H1	H2	H3	L2	CRC <sup>1)</sup>	Part No.	Type
29.6	M8x1	13	7	16.3	29.6	2	8000327	SASC-P4-A-M8-S

1) Corrosion resistance class 2 according to Festo standard 940 070  
Components subject to moderate corrosion stress. Externally visible parts with primarily decorative surface requirements which are in direct contact with a normal industrial environment or media such as coolants or lubricating agents.

# Pressure sensors SPAB, with display

Accessories



## Adapter plate SASF

for pressure sensor SPAB-...-F

### Materials:

PBT-reinforced

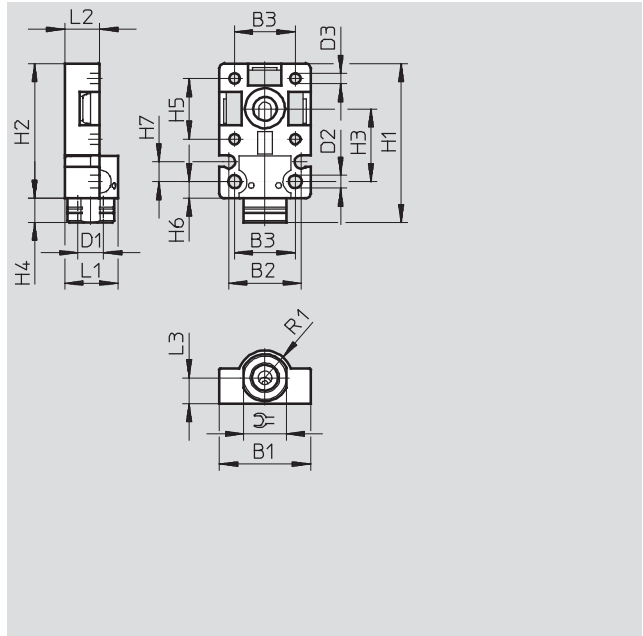
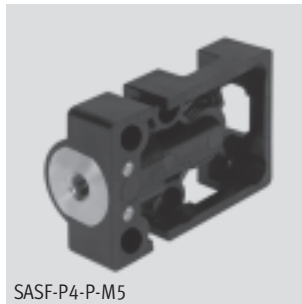
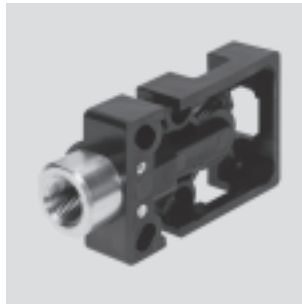
High-alloy stainless steel

HNBR

### Note on materials:

Contains PWIS (paint wetting impairment substances)

RoHS-compliant



### Note

To differentiate the adapter plates R $\frac{1}{8}$ , G $\frac{1}{8}$  and NPT $\frac{1}{8}$ , they are identified as follows at the pneumatic connection:

- R $\frac{1}{8}$  No line
- NPT $\frac{1}{8}$  One line
- G $\frac{1}{8}$  Two lines

### Dimensions and ordering data

B1	B2	B3	D1	D2	D3	H1	H2	H3	H4	H5	H6	H7	L1	L2	L3	R1	☉	Part No.	Type
				∅	∅														
30	24	20	R $\frac{1}{8}$	4.3	3.4	52.5	44.5	24	8	20	5.5	6.5	17.5	11.5	8.5	9	14	570801	SASF-P4-P-R18
			G $\frac{1}{8}$															570802	SASF-P4-P-G18
			NPT $\frac{1}{8}$															570803	SASF-P4-P-N18
30	24	20	M5	4.3	3.4	-	44.5	24	-	20	5.5	6.5	17.5	11.5	8.5	9	-	570804	SASF-P4-P-M5



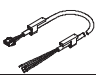
1) Corrosion resistance class 2 according to Festo standard 940 070


Components subject to moderate corrosion stress. Externally visible parts with primarily decorative surface requirements which are in direct contact with a normal industrial environment or media such as coolants or lubricating agents.

# Pressure sensors SPAB, with display

Accessories

**FESTO**

Ordering data – Connecting cables				Technical data → Internet: nebu	
	Designation	Number of wires	Cable length [m]	Part No.	Type
<b>M8x1</b>					
	Straight socket	4	2.5	541342	NEBU-M8G4-K-2.5-LE4
			5	541343	NEBU-M8G4-K-5-LE4
	Angled socket	4	2.5	541344	NEBU-M8W4-K-2.5-LE4
			5	541345	NEBU-M8W4-K-5-LE4
<b>Circuit board plug connector</b>					
	Socket, rectangular design L1	4	2.5	572576	NEBS-L1G4-K-2.5-LE4
			5	572577	NEBS-L1G4-K-5-LE4

Ordering data – Push-in fittings			Technical data → Internet: quick star	
	Pneumatic connection	For tubing O.D. [mm]	Part No.	Type
	M5	4	153304	QSM-M5-4
		6	153306	QSM-M5-6

# Product Range and Company Overview

## A Complete Suite of Automation Services

Our experienced engineers provide complete support at every stage of your development process, including: conceptualization, analysis, engineering, design, assembly, documentation, validation, and production.



**Custom Automation Components**  
Complete custom engineered solutions



**Custom Control Cabinets**  
Comprehensive engineering support and on-site services



**Complete Systems**  
Shipment, stocking and storage services

## The Broadest Range of Automation Components

With a comprehensive line of more than 30,000 automation components, Festo is capable of solving the most complex automation requirements.



**Electromechanical**  
Electromechanical actuators, motors, controllers & drives



**Pneumatics**  
Pneumatic linear and rotary actuators, valves, and air supply



**PLCs and I/O Devices**  
PLC's, operator interfaces, sensors and I/O devices

## Supporting Advanced Automation... As No One Else Can!

Festo is a leading global manufacturer of pneumatic and electromechanical systems, components and controls for industrial automation, with more than 12,000 employees in 56 national headquarters serving more than 180 countries. For more than 80 years, Festo has continuously elevated the state of manufacturing with innovations and optimized motion control solutions that deliver higher performing, more profitable automated manufacturing and processing equipment. Our dedication to the advancement of automation extends beyond technology to the education and development of current and future automation and robotics designers with simulation tools, teaching programs, and on-site services.

## Quality Assurance, ISO 9001 and ISO 14001 Certifications

Festo Corporation is committed to supply all Festo products and services that will meet or exceed our customers' requirements in product quality, delivery, customer service and satisfaction.

To meet this commitment, we strive to ensure a consistent, integrated, and systematic approach to management that will meet or exceed the requirements of the ISO 9001 standard for Quality Management and the ISO 14001 standard for Environmental Management.



© Copyright 2008, Festo Corporation. While every effort is made to ensure that all dimensions and specifications are correct, Festo cannot guarantee that publications are completely free of any error, in particular typing or printing errors. Accordingly, Festo cannot be held responsible for the same. For Liability and Warranty conditions, refer to our "Terms and Conditions of Sale", available from your local Festo office. All rights reserved. No part of this publication may be reproduced, distributed, or transmitted in any form or by any means, electronic, mechanical, photocopying or otherwise, without the prior written permission of Festo. All technical data subject to change according to technical update.



Printed on recycled paper at New Horizon Graphic, Inc., FSC certified as an environmentally friendly printing plant.

# Festo North America

## Festo Regional Contact Center

5300 Explorer Drive  
Mississauga, Ontario L4W 5G4  
Canada

### USA Customers:

For ordering assistance,

**Call:** 1.800.99.FESTO (1.800.993.3786)

**Fax:** 1.800.96.FESTO (1.800.963.3786)

**Email:** [customer.service@us.festo.com](mailto:customer.service@us.festo.com)

For technical support,

**Call:** 1.866.GO.FESTO (1.866.463.3786)

**Fax:** 1.800.96.FESTO (1.800.963.3786)

**Email:** [product.support@us.festo.com](mailto:product.support@us.festo.com)

### Canadian Customers:

**Call:** 1.877.GO.FESTO (1.877.463.3786)

**Fax:** 1.877.FX.FESTO (1.877.393.3786)

**Email:** [festo.canada@ca.festo.com](mailto:festo.canada@ca.festo.com)

---

## USA Headquarters

Festo Corporation  
395 Moreland Road  
P.O. Box 18023  
Hauppauge, NY 11788, USA  
[www.festo.com/us](http://www.festo.com/us)

---

## USA Sales Offices

### Appleton

North 922 Tower View Drive, Suite N  
Greenville, WI 54942, USA

### Boston

120 Presidential Way, Suite 330  
Woburn, MA 01801, USA

### Chicago

1441 East Business Center Drive  
Mt. Prospect, IL 60056, USA

### Dallas

1825 Lakeway Drive, Suite 600  
Lewisville, TX 75057, USA

### Detroit – Automotive Engineering Center

2601 Cambridge Court, Suite 320  
Auburn Hills, MI 48326, USA

### New York

395 Moreland Road  
Hauppauge, NY 11788, USA

### Silicon Valley

4935 Southfront Road, Suite F  
Livermore, CA 94550, USA

## United States



**USA Headquarters, East:** Festo Corp., 395 Moreland Road, Hauppauge, NY 11788

Phone: 1.631.435.0800; Fax: 1.631.435.8026;

Email: [info@festo-usa.com](mailto:info@festo-usa.com)

[www.festo.com/us](http://www.festo.com/us)

## Canada



**Headquarters:** Festo Inc., 5300 Explorer Drive, Mississauga, Ontario L4W 5G4

Phone: 1.905.624.9000; Fax: 1.905.624.9001;

Email: [festo.canada@ca.festo.com](mailto:festo.canada@ca.festo.com)

[www.festo.ca](http://www.festo.ca)

## Mexico



**Headquarters:** Festo Pneumatic, S.A., Av. Ceylán 3, Col. Tequesquahuac,  
54020 Tlalneantla, Edo. de México

Phone: 011 52 [55] 53 21 66 00; Fax: 011 52 [55] 53 21 66 65;

Email: [festo.mexico@mx.festo.com](mailto:festo.mexico@mx.festo.com)

[www.festo.com/mx](http://www.festo.com/mx)

---

## Central USA

Festo Corporation  
1441 East Business  
Center Drive  
Mt. Prospect, IL 60056, USA  
Phone: 1.847.759.2600  
Fax: 1.847.768.9480



## Western USA

Festo Corporation  
4935 Southfront Road,  
Suite F  
Livermore, CA 94550, USA  
Phone: 1.925.371.1099  
Fax: 1.925.245.1286



---

## Festo Worldwide

Argentina Australia Austria Belarus Belgium Brazil Bulgaria Canada Chile China Colombia Croatia Czech Republic Denmark  
Estonia Finland France Germany Great Britain Greece Hong Kong Hungary India Indonesia Iran Ireland Israel Italy Japan Latvia  
Lithuania Malaysia Mexico Netherlands New Zealand Norway Peru Philippines Poland Romania Russia Serbia Singapore  
Slovakia Slovenia South Africa South Korea Spain Sweden Switzerland Taiwan Thailand Turkey Ukraine United States Venezuela

[www.festo.com](http://www.festo.com)