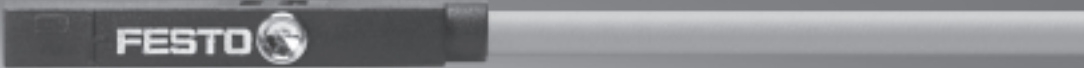


Proximity sensors SMT/SME-10, for C-slot



# Proximity sensors SMT/SME

Product range overview

Design	Type of mounting	Measuring principle	Type	Operating voltage range	Switching output	Switching element function	→ Page/Internet
For C-slot	Standard						
	Insertable in slot from above, flush with cylinder profile	Magneto-resistive	SMT-10M	10 ... 30 V DC	PNP	N/O contact	7
					NPN		
		Magnetic reed	SME-10M	5 ... 30 V AC/DC	Non-contacting, 2-wire		12
					Contacting, bipolar	N/O contact	
Insertable in slot lengthwise	Magneto-resistive	SMT-10G	10 ... 30 V DC	PNP	N/O contact	21	
	Magnetic reed	SME-10	12 ... 27 V AC/DC	Contacting	N/O contact	18	
For T-slot	Standard						
	Insertable in slot from above, flush with cylinder profile	Magneto-resistive	SMT-8M	10 ... 30 V DC	PNP	N/O contact	t-slot
					NPN	N/C contact	
		Magnetic reed	SME-8M	5 ... 30 V AC/DC	Contacting, bipolar		N/O contact
					N/O contact	N/C contact	
	Insertable in slot lengthwise, flush with cylinder profile	Magneto-resistive	SMT-8	10 ... 30 V DC	PNP	N/O contact	
					NPN		
	Insertable in slot lengthwise, flush with cylinder profile	Magnetic reed	SME-8	12 ... 30 V AC/DC	Contacting, bipolar		N/O contact
				3 ... 230 V AC/DC			N/C contact
				5 ... 250 V AC/DC			N/O contact
	Insertable in slot lengthwise	Magneto-resistive	SMT-8G	10 ... 30 V DC	PNP	N/O contact	
		Magneto-resistive	SMT-8-SL	10 ... 30 V DC	PNP	N/O contact	
		Magnetic reed	SME-8-SL	10 ... 30 V AC/DC	Contacting, bipolar	N/O contact	
	Insertable in slot from above	Magnetic reed	SME-8-FM	10 ... 30 V AC/DC	Contacting, bipolar	N/O contact	
	Via accessories	Magneto-resistive	SMT0-8E	10 ... 30 V DC	PNP	N/O contact	
					NPN		
		Magnetic reed	SME0-8E	12 ... 30 V DC	Contacting, bipolar		N/O contact
				3 ... 250 V DC			
				3 ... 230 V AC			
	Corrosion resistant						
	Insertable in slot lengthwise, flush with cylinder profile	Magneto-resistive	CRSMT-8	10 ... 30 V DC	PNP	N/O contact	t-slot
	Welding field immune						
	Via accessories	Magneto-inductive	SMTSO-8E	10 ... 30 V DC	PNP	N/O contact	t-slot
				NPN			
Heat resistant up to 120 °C							
Insertable in slot lengthwise, flush with cylinder profile	Magnetic reed	SME-8-...-S6	0 ... 30 V AC/DC	Contacting, bipolar	N/O contact	t-slot	
Via accessories	Magnetic reed	SME0-8E-...-S6	0 ... 30 V DC	Contacting	N/O contact	t-slot	
			0 ... 30 V AC				

# Proximity sensors SMT/SME

Selection aid

FESTO

Drive	SMT-8, SMT0-8E CRSMT-8 SME-8, SME0-8E SMPO-8E	SMT-10 SME-10	SMT0-4U SME0-4U CRSME0-4	SMT0-1 SMT0-6 SME0-1 SMPO-1	SMT-C1
<b>Standards-based cylinders</b>					
Standard cylinders DSNU, ESNU	∅ 8 ... 25 mm	■	■	■	–
Standard cylinders DSN, ESN	∅ 8 ... 25 mm	■	■	■	–
Standard cylinders DNCB		■	–	–	–
Standard cylinders DNC		■	–	–	–
Standard cylinders DNG		■	–	■	–
Standard cylinders CDN-...-R with sensor rail		–	–	–	■
Standard cylinders ADN		■	–	–	–
<b>Cylinders with piston rod</b>					
Compact cylinders ADVU, AEVU		■	–	–	–
Short-stroke cylinders ADVC, AEVC	∅ 6 ... 25 mm	–	■	–	–
	∅ 32 ... 100 mm	■	–	–	–
Flat cylinders EZH-10/40-40-A-B		■	–	–	–
Flat cylinders DZF		■	–	–	–
Flat cylinders DZH	∅ 16 ... 25 mm	■	–	–	–
	∅ 32 ... 63 mm	–	–	■	–
Round cylinders DSNU, ESNU	∅ 32 ... 63 mm	■	■	■	–
Round cylinders DSW, ESW		■	■	■	–
Round cylinders DSEU, ESEU		■	■	■	–
Multimount cylinders DMM, EMM		■	–	–	–
Round cylinders CRDG		–	–	■	–
Round cylinders CRDSW		■	■	■	–
Standard cylinders CRHD		■	–	–	–
Standard cylinders CRDSNU		■	–	■	–
Standard cylinders CRDNG		■	–	–	–
Standard cylinders CRDNGS		■	–	■	–
<b>Rodless cylinders</b>					
Linear drives DGC	∅ 8, 12 mm	–	■	–	–
	∅ 18 ... 63 mm	■	–	–	–
Linear drives DGP, DGPL		■	–	–	–
Linear drives SLG		–	■	–	–
Linear drives DGO		–	–	■	–
Linear drives SLM		■	–	–	–
<b>Semi-rotary drives</b>					
Semi-rotary drives DSM	∅ 6 ... 10 mm	–	■	–	–
Semi-rotary drives DSM-B	∅ 12 ... 40 mm	–	■	–	–
	∅ 63 mm	■	–	–	–
Semi-rotary drives DRQ	∅ 16 ... 32 mm	■	–	–	–
	∅ 40 ... 100 mm	–	–	■	–
Semi-rotary drives DRQD	∅ 6 ... 12 mm	–	■	–	–
	∅ 16 ... 32 mm	■	–	–	–
<b>Technical data → Page/Internet</b>	t-slot	7	smt0, crsmeo	smt0	smt-c1

# Proximity sensors SMT/SME

Selection aid

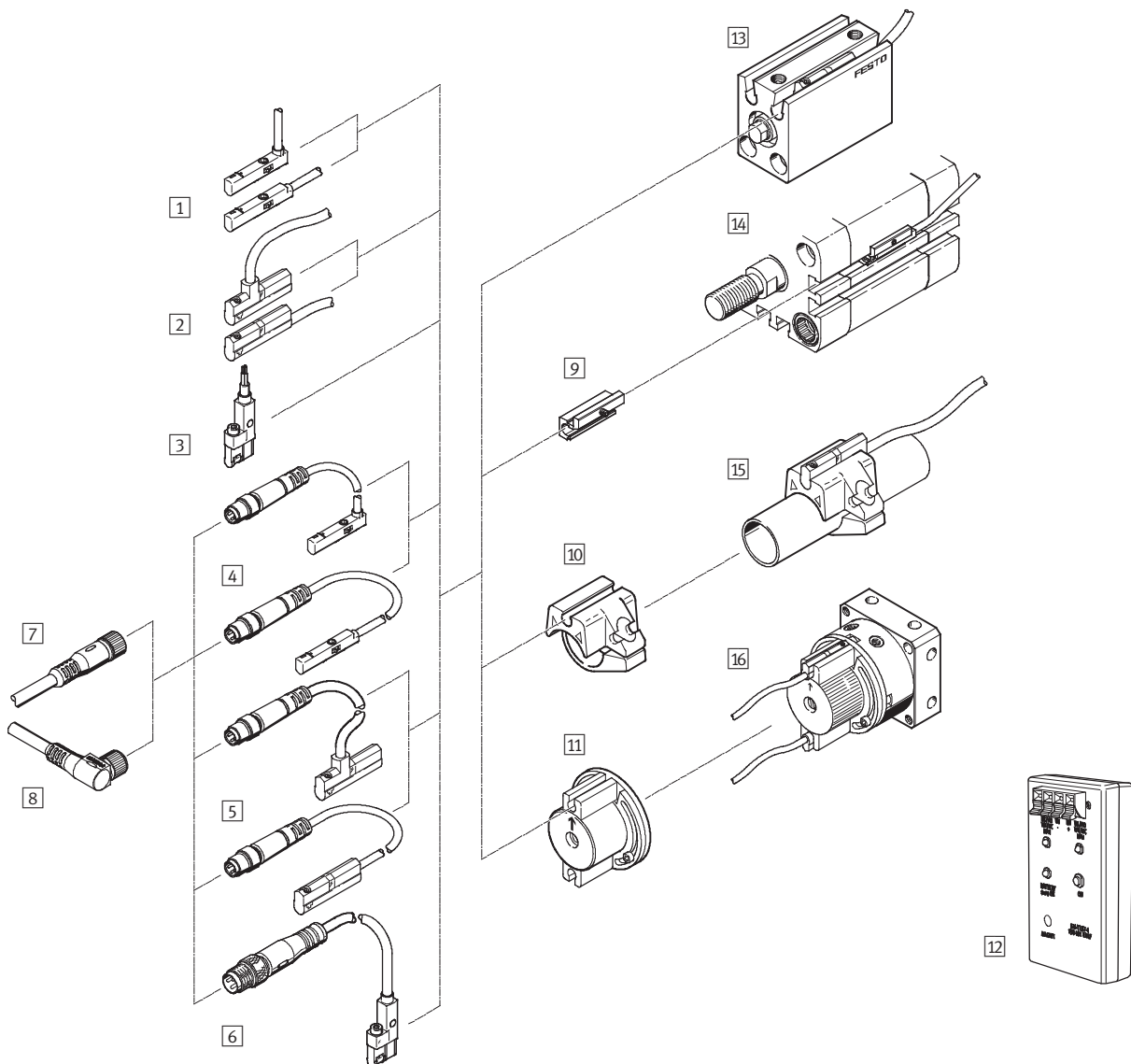
Drive	SMT-8, SMT0-8E CRSMT-8 SME-8, SME0-8E, SMPO-8E	SMT-10 SME-10	SMH-S1
<b>Function-oriented drives</b>			
Stopper cylinders STA, STAF	■	-	-
Linear/swivel clamps CLR	■	-	-
Swivel/linear units DSL	■	-	-
Swivel/linear units DSL-B	-	■	-
<b>Drives with linear guide</b>			
Mini slides SLS, SLF, SLT	-	■	-
Mini slides DGSL	-	■	-
Twin-piston cylinders SPZ	■	-	-
Slide units SLZ	■	-	-
Guided drives DFP	∅ 6 ... 16 mm	-	■
	∅ 25 ... 80 mm	■	-
Mini guide units DFC	-	■	-
Guide units DFM	■	-	-
Guide units DFM-B	■ <sup>1)</sup>	-	-
Linear drive units SLE	∅ 32 ... 50 mm	■	-
Twin-piston cylinders DPZ	■	-	-
<b>Handling units</b>			
Linear modules HMP	■	-	-
Linear modules HMPL	■	-	-
Handling modules HSP, HSW	■	-	-
Feed separators HPV	■	-	-
Three-point grippers HGD	∅ 16 mm	-	■
	∅ 32, 50 mm	■ <sup>2)</sup>	-
Three-point grippers HGDT	-	■	-
Parallel grippers HGP	∅ 6 mm	-	■
	∅ 10 ... 35 mm	■ <sup>2)</sup>	-
Parallel grippers HGPC	-	■	-
Parallel grippers HGPP	∅ 12 ... 32 mm	-	■
Parallel grippers HGPT	∅ 16 ... 63 mm	-	■
Angle grippers HGW	∅ 10 mm	-	■
	∅ 16 ... 40 mm	■	-
Radial grippers HGR	∅ 10 mm	-	■
	∅ 16 ... 40 mm	■	-
Swivel gripper units HGDS	-	■	-
<b>Cushioning components</b>			
Stop elements YSRWJ	■	-	-
<b>Electrical positioning systems</b>			
Toothed belt axes DGE-ZR	■	-	-
Spindle axes DGE-SP	■	-	-
<b>System components</b>			
Heavy-duty guides HD	■	-	-
<b>Valve actuators</b>			
Linear actuators, Copac DLP-A	■	-	-
<b>Technical data → Page/Internet</b>	t-slot	7	smh

1) Not SM...O-8E.

2) SME-8M only for HGD-50, HGP-20 ... 35.

# Proximity sensors SMT/SME-10, for C-slot

Overview of peripherals



Mounting attachments and accessories	→ Page/ Internet
<b>Proximity sensors</b>	
1 SMT/SME-10M-...-OE, with cable	7
2 SME-10, with cable	18
3 SMT-10G-...-OE, with cable	22
4 SMT/SME-10M-...-M..., with cable and plug	7
5 SME-10, with cable and plug	18
6 SMT-10G-...-M..., with cable and plug	22
<b>Connecting cables</b>	
7 Connecting cable NEBU-M...G...	25
8 Connecting cable NEBU-M...W...	25
<b>Mounting kits</b>	
9 Mounting kit SMBN-10	24
10 Mounting kit SMBR-10-...	24
11 Mounting kit WSM-...-SME-10	25

Mounting attachments and accessories	→ Page/ Internet
<b>Accessories</b>	
12 Sensor tester SM-TEST-1	25
- Positioning component SMM-10	25
- Clip SMBK-10	25
- Inscription label ASLR	25
- Safety clip NEAU	25
<b>Drives</b>	
13 Drives with C-slot	-
14 Drives with T-slot	-
15 Round cylinder	-
16 Semi-rotary drive DSM	-

# Proximity sensors SMT/SME-10M, for C-slot

Type codes

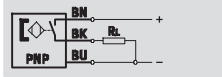
SMT/SME-10M	
<div style="display: flex; justify-content: space-around; border-bottom: 1px solid black;"> <span>SMT</span> <span>10M</span> <span>PS</span> <span>24V</span> <span>E</span> <span>2,5</span> <span>L</span> <span></span> <span>OE</span> </div>	
<b>Function</b>	
SMT	Proximity sensor, magneto-resistive
SME	Proximity sensor, magnetic reed
<b>Design</b>	
10M	For C-slot, insertable in slot from above
<b>Switching output, switching element function</b>	
PS	PNP, N/O contact, 3-wire
NS	NPN, N/O contact, 3-wire
ZS	N/O contact, 2-wire
DS	N/O contact, 3-wire
<b>Rated operating voltage</b>	
24V	24 V DC
<b>Cable attribute</b>	
E	Energy chain + robot applications
<b>Cable length [m]</b>	
<b>Cable outlet</b>	
L	In-line
Q	Lateral
<b>Cable designation</b>	
-	With inscription label holder
N	Without inscription label holder
<b>Connection technology</b>	
OE	Open end
M8	Cable with plug M8x1, snap-on flange
M8D	Cable with plug M8x1, rotatable thread
M12	Cable with plug M12x1, rotatable thread

# Proximity sensors SMT-10M, for C-slot

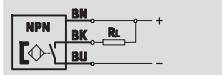
Technical data – Magneto-resistive

**Function**

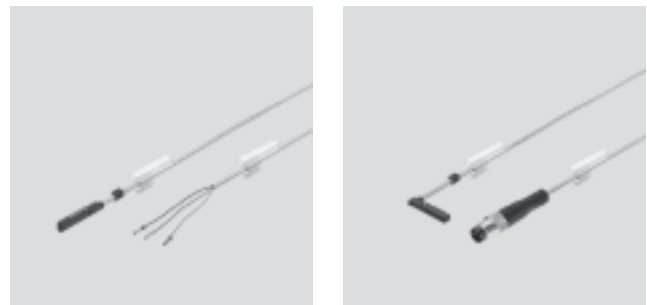
E.g. PNP, N/O contact, with cable



E.g. NPN, N/O contact, with cable



- Magneto-resistive measuring principle
- Insertable in slot from above, does not protrude over the cylinder profile
- Cable clip and holder for inscription labels included in the scope of delivery



General technical data	
Design	For C-slot
Conforms to	EN 60947-5-2
Certification	C-Tick
CE mark (see declaration of conformity)	To EU EMC Directive <sup>1)</sup>
Note on materials	Cable resistant to oil
	Cable free of halogen
	Free of copper and PTFE
	RoHS-compliant

1) For information about the applicability of the component see the manufacturer's EC declaration of conformity at: [www.festo.com](http://www.festo.com) → Support → User documentation.  
If the component is subject to restrictions on usage in residential, office or commercial environments or small businesses, further measures to reduce the emitted interference may be necessary.

Input signal/measuring element	
Measured variable	Position
Measuring principle	Magneto-resistive
Ambient temperature	[°C] -20 ... +70

Switching output				
Type SMT-10M		PS	NS	ZS
Switching output		PNP	NPN	Non-contacting, 2-wire
Switching element function		N/O contact		
Repetition accuracy of switching output in ± mm	[mm]	0.1		
Switch-on time	[ms]	0 ... 1		
Switch-off time	[ms]	0 ... 1		
Max. switching frequency	[Hz]	150		
Max. output current	[mA]	100		
Max. output current in mounting kits	[mA]	50		
Max. switching capacity DC	[W]	3	3	2.4
Max. switching capacity DC in mounting kits	[W]	1.5		1.2
Voltage drop	[V]	0 ... 1.7	0 ... 1.5	0 ... 6

Output, additional data	
Protection against short circuit	Pulsed
Protection against overloading	Yes

Electronic components	
Rated operating voltage	[V DC] 24
Operating voltage range	[V DC] 10 ... 30
Reverse polarity protection	For all electrical connections

# Proximity sensors SMT-10M, for C-slot

Technical data – Magneto-resistive

Electromechanical components								
Type SMT-10M	PS/NS				ZS			
Electrical connection	OE	M8D	M8	M12	OE	M8D	M8	M12
Electrical connection	Cable, 3-wire	Cable with plug, 3-pin			Cable, 2-wire	Cable with plug, 2-pin		
		M8x1	M8x1	M12x1		M8x1	M8x1	M12x1
		Rotatable thread	Snap-on flange	Rotatable thread		Rotatable thread	Snap-on flange	Rotatable thread
Connection direction	In-line Lateral							
Cable test conditions	Energy chain: 5 million cycles, bending radius 28 mm							
	Torsional strength: >300,000 cycles, ±270°/0.1 m							
	Resistance to bending: to Festo standard; test conditions on request							
Cable length [m]	0.2 ... 30							
Cable attribute	Energy chain + robot applications							
Cable sheath materials	TPE-U(PU)							

Mechanical components	
Type of mounting	Screw-clamped in slot, insertable from above
Max. tightening torque [Nm]	0.4
Mounting position	Any
Housing	PA reinforced
	High-alloy stainless steel

Display/operation	
Switching status display	Yellow LED

Immissions/emissions	
Ambient temperature with flexible cable installation [°C]	-20 ... +70
Protection class	IP65
	IP68

Pin allocation to EN 60947-5-2			
M8x1, 2-pin		M8x1, 3-pin	
N/O contact		N/O contact	
	Pin	Wire colour	Allocation
	1	Brown	+
	4	Black	Output
	Pin	Wire colour	Allocation
	1	Brown	+
	3	Blue	-
	4	Black	Output

Pin allocation to EN 60947-5-2			
M12x1, 2-pin		M12x1, 3-pin	
N/O contact		N/O contact	
	Pin	Wire colour	Allocation
	1	Brown	+
	4	Black	Output
	Pin	Wire colour	Allocation
	1	Brown	+
	3	Blue	-
	4	Black	Output



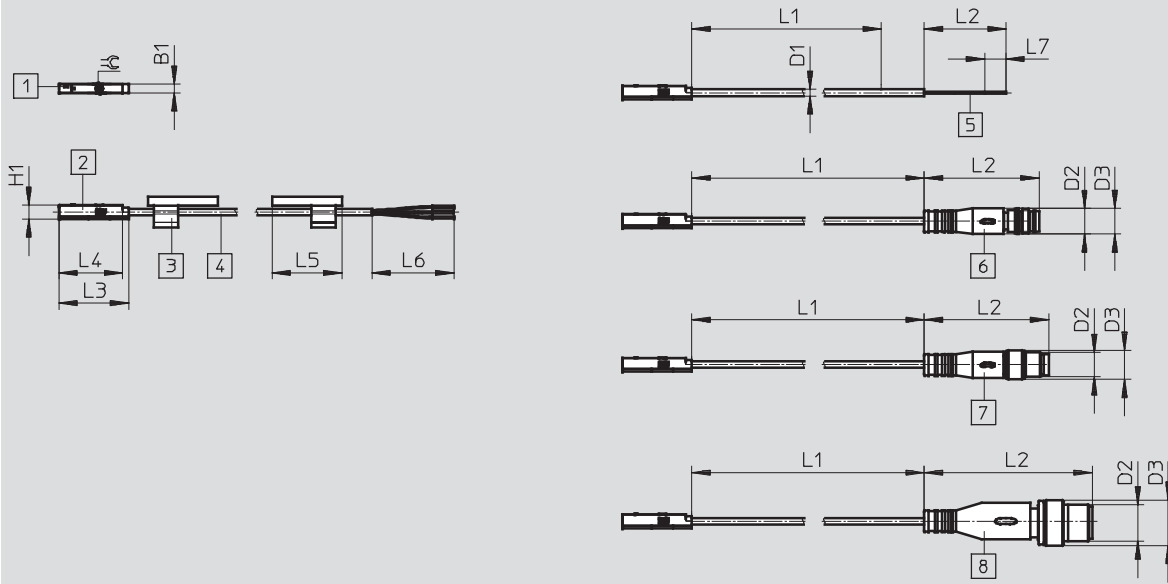
# Proximity sensors SMT-10M, for C-slot

Technical data – Magneto-resistive

**Dimensions**

Download CAD Data → [www.festo.com/us/cad](http://www.festo.com/us/cad)

SMT-10M-...-L, in-line connection



- 1 Yellow LED
- 2 SMT-10M
- 3 Inscription label holder
- 4 Connecting cable
- 5 Cable with open end
- 6 Plug M8x1, snap-on flange
- 7 Plug M8x1, rotatable thread
- 8 Plug M12x1
- L1 Cable length

Type	B1	D1	D2	D3	H1	L2	L3	L4	L5	L6	L7	≅
SMT-10M-...-OE	2.9	2.15	-	-	4.6	50	22.9	20.9	23	50	7	1.5
SMT-10M-...-M8D			M8x1	8.5		32.7					-	
SMT-10M-...-M8			M8x1	9.6		41.1					-	
SMT-10M-...-M12			M12x1	15		55.5					-	

# Proximity sensors SMT-10M, for C-slot

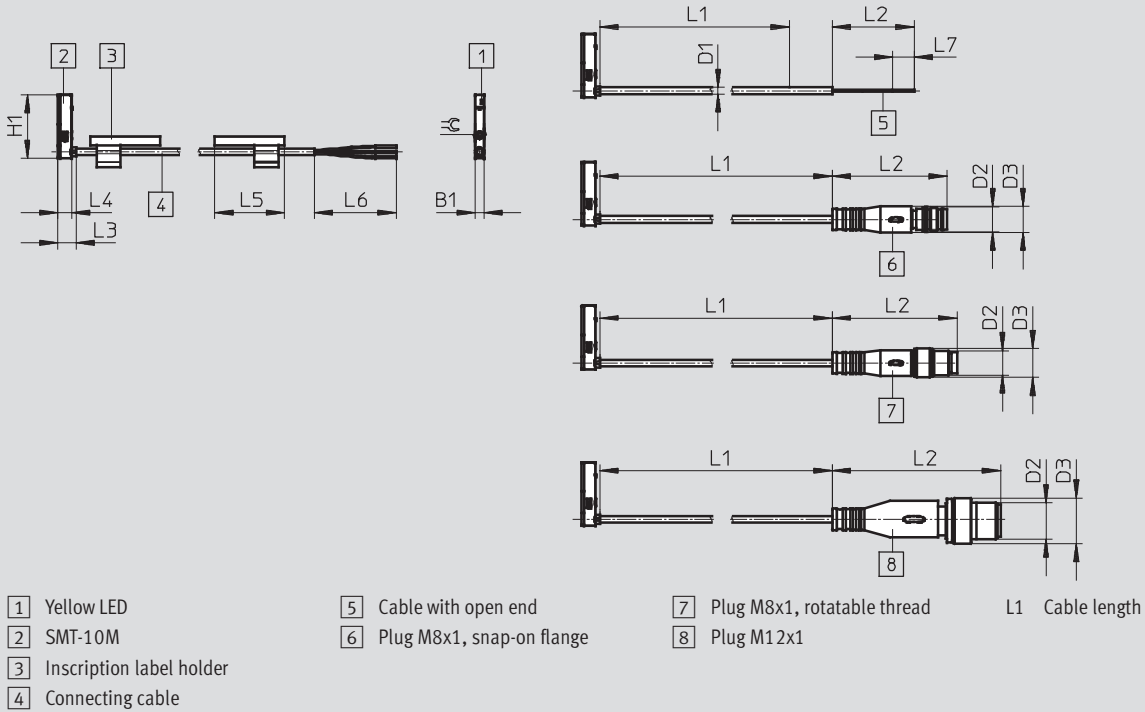
Technical data – Magneto-resistive



## Dimensions

Download CAD Data → [www.festo.com/us/cad](http://www.festo.com/us/cad)

SMT-10M-...-Q, lateral connection



Type	B1	D1	D2	D3	H1	L2	L3	L4	L5	L6	L7	⌀
SMT-10M-...-OE	2.9	2.15	-	-	20.9	50	6	4.6	23	50	7	1.5
SMT-10M-...-M8D			M8x1	8.5		32.7					-	
SMT-10M-...-M8			M8x1	9.6		41.1					-	
SMT-10M-...-M12			M12x1	15		55.5					-	

	Switching output	Electrical connection		Cable length [m]	Weight [g]	Part No.	Type
		Cable	Cable with plug, rotatable thread				
	N/O contact						
	PNP	3-wire	-	2.5	16.8	551373	SMT-10M-PS-24V-E-2,5-L-OE
		-	M8x1, 3-pin	0.3	6.7	551374	SMT-10M-PS-24V-E-2,5-Q-OE
		-	M8x1, 3-pin	0.3	6.7	551375	SMT-10M-PS-24V-E-0,3-L-M8D
	NPN	3-wire	-	2.5	16.8	551376	SMT-10M-PS-24V-E-0,3-Q-M8D
		-	M8x1, 3-pin	0.3	6.7	551377	SMT-10M-NS-24V-E-2,5-L-OE
		-	M8x1, 3-pin	0.3	6.7	551378	SMT-10M-NS-24V-E-2,5-Q-OE
	Non-contacting, 2-wire	2-wire	-	2.5	14.6	551379	SMT-10M-NS-24V-E-0,3-L-M8D
2-wire		-	2.5	14.6	551380	SMT-10M-NS-24V-E-0,3-Q-M8D	
		2-wire	-	2.5	14.6	551382	SMT-10M-ZS-24V-E-2,5-L-OE
		2-wire	-	2.5	14.6	551383	SMT-10M-ZS-24V-E-2,5-Q-OE

# Proximity sensors SMT-10M, for C-slot

Modular product system – Magneto-resistive

M Mandatory data						O Options	M	
Module No.	Function	Switching output	Rated operating voltage	Cable attribute	Cable length in m	Cable outlet	Cable designation	Connection technology
551372	SMT-10M	PS NS ZS	24V	E	0.2 ... 30	L Q	N	OE M8D M8 M12
<b>Ordering example</b>								
551372	SMT-10M	NS	24V	E	3	L	N	M8D

Ordering table							
Size	10	Conditions		Code		Enter code	
M	Module No.	551372					
	Function	Proximity sensor for C-slot, non-contacting		SMT-10M		SMT-10M	
				-		-	
	Switching output	3-wire PNP N/O contact		PS			
		3-wire NPN N/O contact		NS			
		2-wire N/O contact		ZS			
				-		-	
	Rated operating voltage [V DC]	24		24V		24V	
				-		-	
	Cable attribute	Energy chain + robot applications		E		E	
				-		-	
	Cable length [m]	0.2 ... 30 (0.2 ... 5.0 m in 0.1 m increments, 5.0 ... 30 m in 0.5 m increments)		...			
				-		-	
	Cable outlet	In-line		L			
		Lateral		Q			
				-		-	
O	Cable designation	With inscription label holder		-			
		Without inscription label holder		N			
M	Connection technology	Open end		OE			
		M8, rotatable thread		M8D			
		M8, snap-on flange		M8			
		M12, rotatable thread		M12			

Transfer order code

551372	SMT-10M	-		-	24V	-	E	-		-		-		-	
--------	---------	---	--	---	-----	---	---	---	--	---	--	---	--	---	--

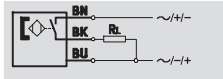
# Proximity sensors SME-10M, for C-slot

Technical data – Magnetic reed

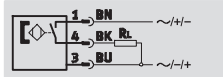


Function

E.g. N/O contact, 3-wire, with cable



E.g. N/O contact, 3-wire, with plug



- Magnetic reed measuring principle
- Insertable in slot from above, does not protrude over the cylinder profile
- Cable clip and holder for inscription labels included in the scope of delivery



General technical data	
Design	For C-slot
Conforms to	EN 60947-5-2
Certification	C-Tick
CE mark (see declaration of conformity)	To EU EMC Directive <sup>1)</sup>
Note on materials	Cable resistant to oil
	Cable free of halogen
	Free of copper and PTFE
	RoHS-compliant

1) For information about the applicability of the component see the manufacturer's EC declaration of conformity at: [www.festo.com](http://www.festo.com) → Support → User documentation.  
If the component is subject to restrictions on usage in residential, office or commercial environments or small businesses, further measures to reduce the emitted interference may be necessary.

Input signal/measuring element	
Measured variable	Position
Measuring principle	Magnetic reed
Ambient temperature	[°C] -40 ... +70

Switching output		
Type SME-10M	DS	ZS
Switching output	Contacting, bipolar	
Switching element function	N/O contact	
Repetition accuracy of switching output in ± mm	0.1	
Switch-on time	[ms] 0 ... 1.2	
Switch-off time	[ms] 0 ... 1	
Max. switching frequency	[Hz] 50	
Max. output current	[mA] 300	100
Max. output current in mounting kits	[mA] 50	50
Max. switching capacity AC	[VA] 9	3
Max. switching capacity AC in mounting kits	[VA] 1.5	1.5
Max. switching capacity DC	[W] 9	3
Max. switching capacity DC in mounting kits	[W] 1.5	1.5
Voltage drop	[V] 0 ... 0.5	0 ... 4.5

Output, additional data	
Protection against short circuit	No
Protection against overloading	No

# Proximity sensors SME-10M, for C-slot

Technical data – Magnetic reed

FESTO


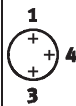
Electronic components		
Rated operating voltage	[V DC]	24
Operating voltage range AC	[V]	5 ... 30
Operating voltage range DC	[V]	5 ... 30
Reverse polarity protection		No


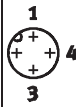
Electromechanical components								
Type SME-10M	DS				ZS			
Electrical connection	OE	M8D	M8	M12	OE	M8D	M8	M12
Electrical connection	Cable, 3-wire	Cable with plug, 3-pin			Cable, 2-wire	Cable with plug, 2-pin		
		M8x1 Rotatable thread	M8x1 Snap-on flange	M12x1 Rotatable thread		M8x1 Rotatable thread	M8x1 Snap-on flange	M12x1 Rotatable thread
Connection direction	In-line Lateral							
Cable test conditions	Energy chain: 5 million cycles, bending radius 28 mm							
	Torsional strength: >300,000 cycles, ±270°/0.1 m							
	Resistance to bending: to Festo standard; test conditions on request							
Cable length	[m]	0.2 ... 10						
Cable attribute	Energy chain + robot applications							
Cable sheath materials	TPE-U(PU)							

Mechanical components	
Type of mounting	Screw-clamped in slot, insertable from above
Max. tightening torque	0.4
Mounting position	Any
Housing	PA reinforced High-alloy stainless steel

Display/operation	
Switching status display	Yellow LED

Immissions/emissions	
Ambient temperature with flexible cable installation	[°C] –20 ... +70
Protection class	IP65
	IP68

Pin allocation to EN 60947-5-2			
M8x1, 2-pin		M8x1, 3-pin	
N/O contact		N/O contact	
	Pin	Wire colour	Allocation
	1	Brown	+
	4	Black	Output
	1	Brown	+
	3	Blue	–
	4	Black	Output

Pin allocation to EN 60947-5-2			
M12x1, 2-pin		M12x1, 3-pin	
N/O contact		N/O contact	
	Pin	Wire colour	Allocation
	1	Brown	+
	4	Black	Output
	1	Brown	+
	3	Blue	–
	4	Black	Output

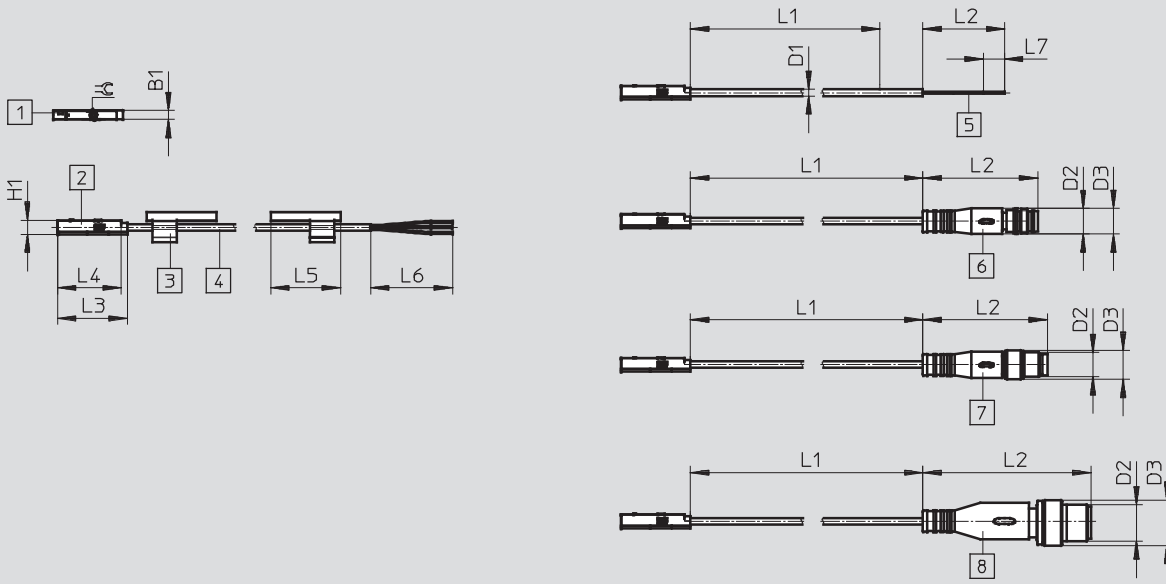
# Proximity sensors SME-10M, for C-slot

Technical data – Magnetic reed

## Dimensions

Download CAD Data → [www.festo.com/us/cad](http://www.festo.com/us/cad)

SME-10M-...-L, in-line connection



- 1 Yellow LED
- 2 SME-10M
- 3 Inscription label holder
- 4 Connecting cable
- 5 Cable with open end
- 6 Plug M8x1, snap-on flange
- 7 Plug M8x1, rotatable thread
- 8 Plug M12x1
- L1 Cable length

Type	B1	D1	D2	D3	H1	L2	L3	L4	L5	L6	L7	⌀
SME-10M-...-OE	3	2.15	-	-	4.6	50	26.6	24.6	23	50	7	1.5
SME-10M-...-M8D			M8x1	8.5		32.7					-	
SME-10M-...-M8			M8x1	9.6		41.1					-	
SME-10M-...-M12			M12x1	15		55.5					-	

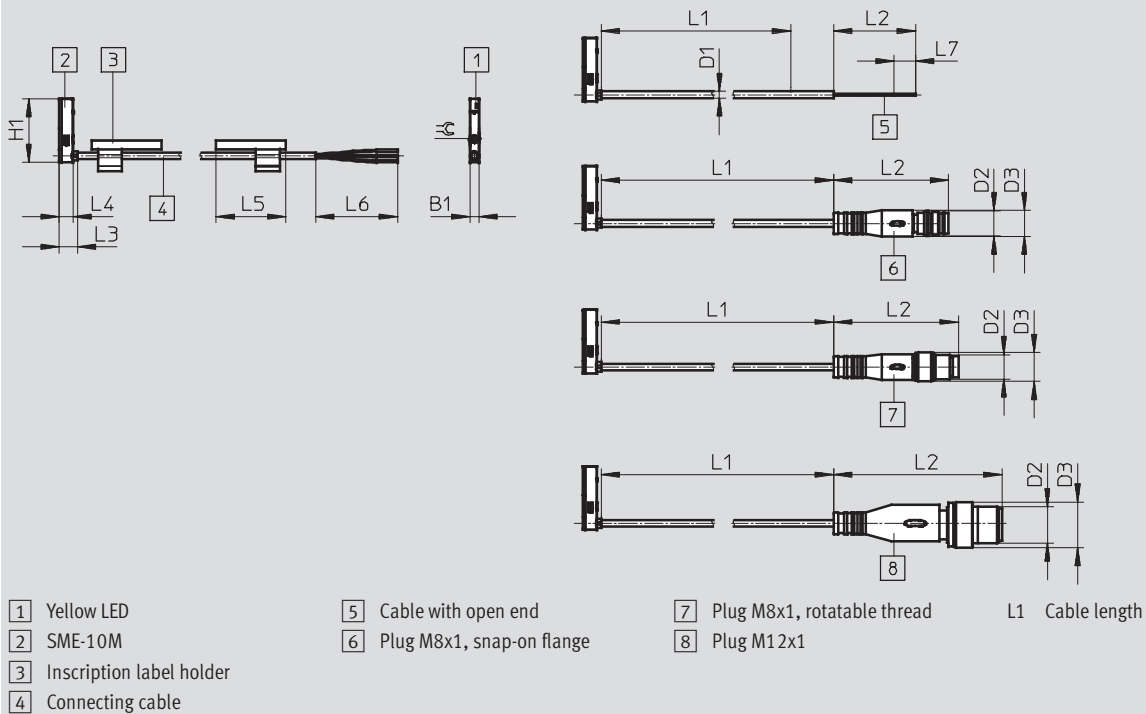
# Proximity sensors SME-10M, for C-slot

Technical data – Magnetic reed

## Dimensions

Download CAD Data → [www.festo.com/us/cad](http://www.festo.com/us/cad)

SME-10M-...-Q, lateral connection



Type	B1	D1	D2	D3	H1	L2	L3	L4	L5	L6	L7	≅
SME-10M-...-OE	3	2.15	-	-	24.6	50	6	4.6	23	50	7	1.5
SME-10M-...-M8D			M8x1	8.5		32.7					-	
SME-10M-...-M8			M8x1	9.6		41.1					-	
SME-10M-...-M12			M12x1	15		55.5					-	

## Ordering data

	Switching output	Electrical connection		Cable length [m]	Weight [g]	Part No.	Type
		Cable	Cable with plug, rotatable thread				
	N/O contact						
	Contacting, bipolar	3-wire	-	2.5	16.8	551365	SME-10M-DS-24V-E-2,5-L-OE
						551366	SME-10M-DS-24V-E-2,5-Q-OE
		-	M8x1, 3-pin	0.3	6.7	551367	SME-10M-DS-24V-E-0,3-L-M8D
						551368	SME-10M-DS-24V-E-0,3-Q-M8D
2-wire	-	2.5	14.6	551369	SME-10M-ZS-24V-E-2,5-L-OE		
				551370	SME-10M-ZS-24V-E-2,5-Q-OE		

# Proximity sensors SME-10M, for C-slot

Modular products – Magnetic reed



M Mandatory data							O Options	M
Module No.	Function	Switching output	Rated operating voltage	Cable attribute	Cable length in m	Cable outlet	Cable designation	Connection technology
551364	SME-10M	DS ZS	24V	E	0.2 ... 10	L Q	N	OE M8D M8 M12
<b>Ordering example</b>								
551364	SME-10M	- DS	- 24V	- E	- 3	- L	- N	- M8D

Ordering table							
Size	10	Conditions		Code		Enter code	
M	Module No.	551364					
	Function	Proximity sensor for C-slot, contacting		SME-10M		SME-10M	
				-		-	
	Switching output	3-wire N/O contact		DS			
	Switching output	2-wire N/O contact		ZS			
				-		-	
	Rated operating voltage [V DC]	24		24V		24V	
				-		-	
	Cable attribute	Energy chain + robot applications		E		E	
				-		-	
	Cable length [m]	0.2 ... 10 (0.2 ... 5.0 m in 0.1 m increments, 5.0 ... 10 m in 0.5 m increments)		...			
				-		-	
	Cable outlet	In-line		L			
		Lateral		Q			
				-		-	
O	Cable designation	With inscription label holder		-			
		Without inscription label holder		N			
M				-		-	
	Connection technology	Open end		OE			
		M8, rotatable thread		M8D			
		M8, snap-on flange		M8			
		M12, rotatable thread		M12			

### Transfer order code

551364	SME-10M	-		-	24V	-	E	-		-		-		-	
--------	---------	---	--	---	-----	---	---	---	--	---	--	---	--	---	--



# Proximity sensors SME-10, for C-slot

Type codes

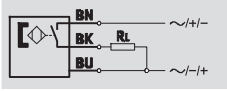
SME-10	
SME – 10 – KL – LED – 24	
<b>Function</b>	
SME	Proximity sensor, magnetic reed
<b>Design</b>	
10	For C-slot, insertable in slot lengthwise
<b>Electrical connection, cable length, connection direction</b>	
KL	Cable, 2.5 m, in-line
KQ	Cable, 2.5 m, lateral
SL	Plug M8x1 with cable, 0.3 m, in-line
SQ	Plug M8x1 with cable, 0.3 m, lateral
<b>Switching status display</b>	
LED	Yellow LED
<b>Rated operating voltage</b>	
24	24 V DC

# Proximity sensors SME-10, for C-slot

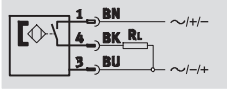
Technical data – Magnetic reed

Function

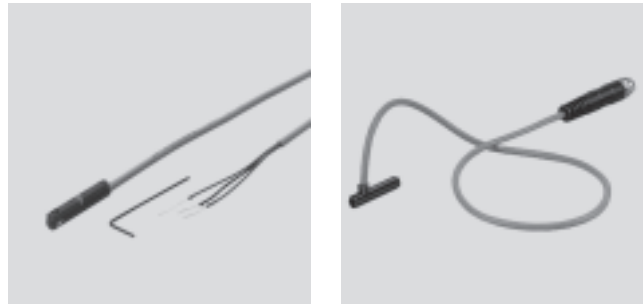
NO contact, 3-wire, with cable



N/O contact, 3-wire, with plug



- Magneto-resistive measuring principle
- Insertable in the slot lengthwise



General technical data	
Design	For C-slot
Based on standard	EN 60947-5-2
CE mark (see declaration of conformity)	To EU EMC Directive
Note on materials	Free of copper and PTFE

Input signal/measuring element	
Measuring principle	Magnetic reed
Ambient temperature [°C]	-20 ... +70

Switching output	
Switching output	Contacting, bipolar
Switching element function	N/O contact
Reproducibility of switching value [mm]	±0.1
Switch-on time [ms]	≤0.6
Switch-off time [ms]	≤0.05
Max. output current [mA]	100
Max. switching frequency [Hz]	500
Max. switching capacity DC [W]	1
Voltage drop [V]	0

Output, additional data	
Protection against short circuit	No
Protection against overloading	No

Electronic components	
Operating voltage range DC [V]	12 ... 27
Operating voltage range AC [V]	12 ... 27
Reverse polarity protection	No

Electromechanical components		
Type	SME-10-...-K...-...	SME-10-...-S...-...
Electrical connection	Cable, 3-wire	Cable with plug M8x1, 3-pin
Connection direction	In-line, lateral	In-line, lateral
Cable length [m]	2.5	0.3
Information on cable sheath materials	TPE-U (PUR)	

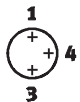
# Proximity sensors SME-10, for C-slot

Technical data – Magnetic reed

Mechanical components		
Type	SME-10-...-K...-...	SME-10-...-S...-...
Type of mounting	Clamped in C-slot, insertable in the slot lengthwise	
Tightening torque	[Nm]	0.18
Information on housing materials	PPS, high-alloy stainless steel	PPS, TPE-U(PU), high-alloy stainless steel, nickel-plated brass

Display/operation	
Switching status display	Yellow LED

Immissions/emissions		
Ambient temperature with flexible cable installation	[°C]	-5 ... +70
Protection class		IP65
		IP67
Insulation voltage	[V]	50
Surge capacity	[kV]	0.8
Degree of contamination		3

Pin allocation to EN 60947-5-2			
Plug, 3-pin			
M8x1	Pin	Wire colour	Allocation
	1	Brown	+
	3	Blue	-
	4	Black	Output

# Proximity sensors SME-10, for C-slot

Technical data – Magnetic reed



Dimensions Download CAD Data → [www.festo.com/us/cad](http://www.festo.com/us/cad)

**Cable, in-line connection** **Cable, lateral connection**

- 1 Connecting cable
- 2 Theoretical switching point
- 3 Threaded pin M2x4
- 4 Yellow LED (positive switching)
- 5 Yellow LED (negative switching)

**Plug M8x1, in-line connection**

- 1 Plug to fit connecting cable NEBU-M8
- 2 Theoretical switching point
- 3 Threaded pin M2x4
- 4 Yellow LED (positive switching)
- 5 Yellow LED (negative switching)

**Plug M8x1, lateral connection**

- 1 Plug to fit connecting cable NEBU-M8
- 2 Theoretical switching point
- 3 Threaded pin M2x4
- 4 Yellow LED (positive switching)
- 5 Yellow LED (negative switching)

Ordering data						
	Switching output	Electrical connection		Cable length [m]	Part No.	Type
		Cable	Cable with plug, M8x1			
<b>In-line connection</b>						
	N/O contact					
	Contacting, bipolar	3-wire	–	2.5	173210	SME-10-KL-LED-24
–		3-pin	0.3	173212	SME-10-SL-LED-24	
<b>Lateral connection</b>						
	N/O contact					
	Contacting, bipolar	3-wire	–	2.5	173211	SME-10-KQ-LED-24
–		3-pin	0.3	173213	SME-10-SQ-LED-24	

# Proximity sensors SMT-10G, for C-slot

Type codes

SMT-10G		SMT	10G	PS	24V	E	2,5Q	OE
<b>Function</b>								
SMT	Proximity sensor, magneto-resistive							
<b>Design</b>								
10G	For C-slot, insertable in slot lengthwise							
<b>Switching output, switching element function</b>								
PS	PNP, N/O contact, 3-wire							
<b>Rated operating voltage</b>								
24V	24 V DC							
<b>Cable properties</b>								
E	Energy chain + robot applications							
<b>Cable length [m], connection direction</b>								
2,5Q	Cable, 2.5 m, lateral <sup>1)</sup>							
0,3Q	Cable with plug, 0.3 m, lateral <sup>2)</sup>							
<b>Electrical connection</b>								
OE	Open end							
M8D	Cable with plug M8x1, rotatable thread							

1) Only with electrical connection OE

2) Not with electrical connection OE

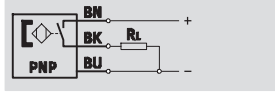
# Proximity sensors SMT-10G, for C-slot

Technical data – Magneto-resistive



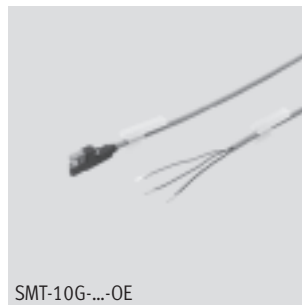
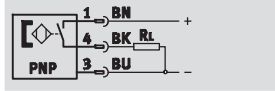
## Function

PNP, N/O contact, with cable, 3-wire



- Magneto-resistive measuring principle
- Insertable in slot lengthwise
- Design ideally matched to gripper sensing

PNP, N/O contact, with plug



SMT-10G-...-OE



SMT-10G-...-M

General technical data	
Design	For C-slot
Based on standard	EN 60947-5-2
Certification	c UL us - Listed (OL)
CE mark (see declaration of conformity)	To EU EMC Directive
Note on materials	Free of copper and PTFE RoHS-compliant

Input signal/measuring element	
Measuring principle	Magneto-resistive
Ambient temperature [°C]	-20 ... +70

Switching output	
Switching output	PNP
Switching element function	N/O contact
Max. output current [mA]	80
Max. switching capacity DC [W]	2.4

Output, additional data	
Protection against short circuit	Pulsed
Protection against overloading	Yes

Electronic components	
Operating voltage range [V DC]	10 ... 30
Reverse polarity protection	For all electrical connections

Electromechanical components		
Type	SMT-10G-...-OE	SMT-10G-...-M8D
Electrical connection	Cable, 3-wire	Cable with plug M8x1, 3-pin, rotatable thread
Connection direction	Lateral	
Cable test conditions	Energy chain: 5 million cycles, bending radius 28 mm Torsional strength: > 300,000 cycles, ±270°/0.1 m Resistance to bending: to Festo standard; test conditions on request	
Cable length [m]	2.5	0.3
Cable properties	Energy chain + robot applications	
Cable sheath material	Thermoplastic polyurethane elastomer	

Mechanical components	
Type of mounting	Clamped in C-slot Insertable in slot lengthwise
Housing material	Reinforced polyamide



# Proximity sensors SMT/SME-10, for C-slot

Accessories



## Mounting SMBN-10

for mounting proximity sensors  
SME/SMT-10 on drives with T-slot

Materials:

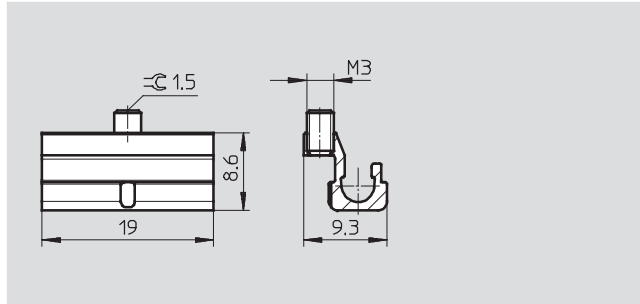
Rail: Anodised wrought aluminium alloy

Screws: High-alloy stainless steel

Note on materials:

Free of copper and PTFE

RoHS-compliant



### Ordering data

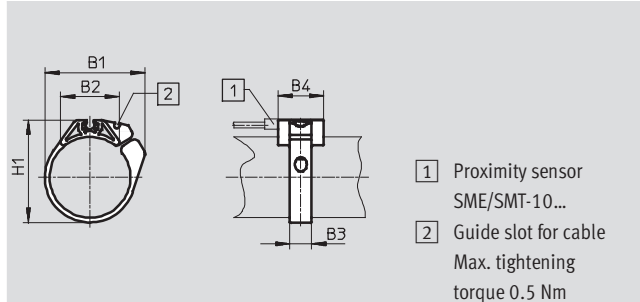
For piston Ø	Part No.	Type
125 ... 320	537809	SMBN-10

## Mounting kit SMBR

Material:

Polyacetal

RoHS-compliant



### Dimensions and ordering data

For piston Ø	B1	B2	B3 ±0.1	B4 ±0.1	H1	Part No.	Type
6	15.6	9.4	7	19	13.5	173226	SMBR-10-6
8	18.9	12.3	7	19	17.5	175101	SMBR-10-8
10	20.4	13.7	7	19	19.9	173227	SMBR-10-10
12	22.7	14.3	7	19	21.9	175102	SMBR-10-12
16	26.1	17	7	19	25.7	173228	SMBR-10-16
20	33.2	20.8	9	19	30.4	175103	SMBR-10-20
25	36.5	22.6	9	19	35.6	175104	SMBR-10-25
32	41.7	24.5	9	19	42.7	175105	SMBR-10-32
40	47	26.5	9	19	50.7	175106	SMBR-10-40
50	56.4	28.6	9	19	61.5	175107	SMBR-10-50
63	69.4	32	9	19	74.5	175108	SMBR-10-63



# Proximity sensors SMT/SME-10, for C-slot

Accessories

## Positioning component SMM

Insertable in slot lengthwise

Ambient temperature: -40 ... +120 °C

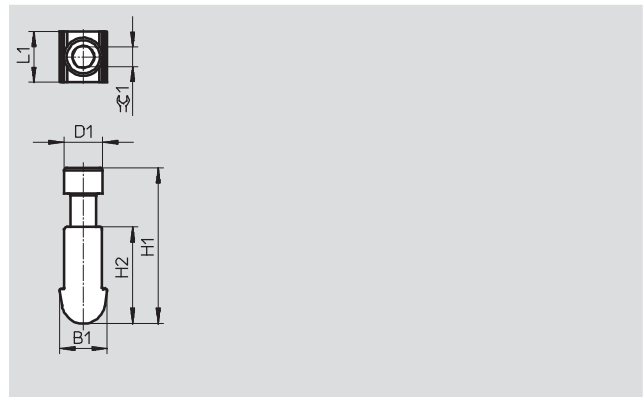
Materials:

Housing: Anodised wrought aluminium alloy

Screws: High-alloy stainless steel

Note on materials:

RoHS-compliant



Dimensions and ordering data									
B1	D1	H1	H2	L1	±C1	CRC <sup>1)</sup>	Part No.	Type	PU <sup>2)</sup>
3.75	3.0	12.23	7.6	4.0	1.5	3	547942	SMM-10	10

1) Corrosion resistance class 4 according to Festo standard 940 070

Components subject to particularly high corrosion stress. Parts used with aggressive media, e.g. in the food or chemical industry. These applications should be supported with special tests with the media if required.

2) Packaging unit

Ordering data – Connecting cables						Technical data → Internet: nebu	
Type	Number of wires	Cable length [m]	Part No.	Type			
Socket M8x1, 3-pin							
	For SMT/SME-10...	3	2.5	541333	NEBU-M8G3-K-2.5-LE3		
			5	541334	NEBU-M8G3-K-5-LE3		
	For SMT/SME-10...	3	2.5	541338	NEBU-M8W3-K-2.5-LE3		
			5	541341	NEBU-M8W3-K-5-LE3		

Ordering data – Mounting attachments			
For Ø	Part No.	Type	
	6	173205	WSM-6-SME-10
	8	173206	WSM-8-SME-10
	10	173207	WSM-10-SME-10
	-	534255	SMBK-10

Ordering data – Inscription labels, safety clips				
Size	Part No.	Type	PU <sup>1)</sup>	
	23x4 mm	541598	ASLR-L-423	34
	M8	548067	NEAU-M8-GD	1
	M12	548068	NEAU-M12-GD	1

1) Packaging unit per frame

Ordering data – Sensor tester	
Part No.	Type
	158481 SM-TEST-1

# Product Range and Company Overview

## A Complete Suite of Automation Services

Our experienced engineers provide complete support at every stage of your development process, including: conceptualization, analysis, engineering, design, assembly, documentation, validation, and production.



**Custom Automation Components**  
Complete custom engineered solutions



**Custom Control Cabinets**  
Comprehensive engineering support and on-site services



**Complete Systems**  
Shipment, stocking and storage services

## The Broadest Range of Automation Components

With a comprehensive line of more than 30,000 automation components, Festo is capable of solving the most complex automation requirements.



**Electromechanical**  
Electromechanical actuators, motors, controllers & drives



**Pneumatics**  
Pneumatic linear and rotary actuators, valves, and air supply



**PLCs and I/O Devices**  
PLC's, operator interfaces, sensors and I/O devices

## Supporting Advanced Automation... As No One Else Can!

Festo is a leading global manufacturer of pneumatic and electromechanical systems, components and controls for industrial automation, with more than 12,000 employees in 56 national headquarters serving more than 180 countries. For more than 80 years, Festo has continuously elevated the state of manufacturing with innovations and optimized motion control solutions that deliver higher performing, more profitable automated manufacturing and processing equipment. Our dedication to the advancement of automation extends beyond technology to the education and development of current and future automation and robotics designers with simulation tools, teaching programs, and on-site services.

## Quality Assurance, ISO 9001 and ISO 14001 Certifications

Festo Corporation is committed to supply all Festo products and services that will meet or exceed our customers' requirements in product quality, delivery, customer service and satisfaction.

To meet this commitment, we strive to ensure a consistent, integrated, and systematic approach to management that will meet or exceed the requirements of the ISO 9001 standard for Quality Management and the ISO 14001 standard for Environmental Management.



© Copyright 2008, Festo Corporation. While every effort is made to ensure that all dimensions and specifications are correct, Festo cannot guarantee that publications are completely free of any error, in particular typing or printing errors. Accordingly, Festo cannot be held responsible for the same. For Liability and Warranty conditions, refer to our "Terms and Conditions of Sale", available from your local Festo office. All rights reserved. No part of this publication may be reproduced, distributed, or transmitted in any form or by any means, electronic, mechanical, photocopying or otherwise, without the prior written permission of Festo. All technical data subject to change according to technical update.



Printed on recycled paper at New Horizon Graphic, Inc., FSC certified as an environmentally friendly printing plant.

# Festo North America

## Festo Regional Contact Center

5300 Explorer Drive  
Mississauga, Ontario L4W 5G4  
Canada

### USA Customers:

For ordering assistance,

**Call:** 1.800.99.FESTO (1.800.993.3786)

**Fax:** 1.800.96.FESTO (1.800.963.3786)

**Email:** [customer.service@us.festo.com](mailto:customer.service@us.festo.com)

For technical support,

**Call:** 1.866.GO.FESTO (1.866.463.3786)

**Fax:** 1.800.96.FESTO (1.800.963.3786)

**Email:** [product.support@us.festo.com](mailto:product.support@us.festo.com)

### Canadian Customers:

**Call:** 1.877.GO.FESTO (1.877.463.3786)

**Fax:** 1.877.FX.FESTO (1.877.393.3786)

**Email:** [festo.canada@ca.festo.com](mailto:festo.canada@ca.festo.com)

---

## USA Headquarters

Festo Corporation  
395 Moreland Road  
P.O. Box 18023  
Hauppauge, NY 11788, USA  
[www.festo.com/us](http://www.festo.com/us)

---

## USA Sales Offices

### Appleton

North 922 Tower View Drive, Suite N  
Greenville, WI 54942, USA

### Boston

120 Presidential Way, Suite 330  
Woburn, MA 01801, USA

### Chicago

1441 East Business Center Drive  
Mt. Prospect, IL 60056, USA

### Dallas

1825 Lakeway Drive, Suite 600  
Lewisville, TX 75057, USA

### Detroit – Automotive Engineering Center

2601 Cambridge Court, Suite 320  
Auburn Hills, MI 48326, USA

### New York

395 Moreland Road  
Hauppauge, NY 11788, USA

### Silicon Valley

4935 Southfront Road, Suite F  
Livermore, CA 94550, USA

## United States



**USA Headquarters, East:** Festo Corp., 395 Moreland Road, Hauppauge, NY 11788

Phone: 1.631.435.0800; Fax: 1.631.435.8026;

Email: [info@festo-usa.com](mailto:info@festo-usa.com)

[www.festo.com/us](http://www.festo.com/us)

## Canada



**Headquarters:** Festo Inc., 5300 Explorer Drive, Mississauga, Ontario L4W 5G4

Phone: 1.905.624.9000; Fax: 1.905.624.9001;

Email: [festo.canada@ca.festo.com](mailto:festo.canada@ca.festo.com)

[www.festo.ca](http://www.festo.ca)

## Mexico



**Headquarters:** Festo Pneumatic, S.A., Av. Ceylán 3, Col. Tequesquahuac,  
54020 Tlalneantla, Edo. de México

Phone: 011 52 [55] 53 21 66 00; Fax: 011 52 [55] 53 21 66 65;

Email: [festo.mexico@mx.festo.com](mailto:festo.mexico@mx.festo.com)

[www.festo.com/mx](http://www.festo.com/mx)

---

## Central USA

Festo Corporation  
1441 East Business  
Center Drive  
Mt. Prospect, IL 60056, USA  
Phone: 1.847.759.2600  
Fax: 1.847.768.9480



## Western USA

Festo Corporation  
4935 Southfront Road,  
Suite F  
Livermore, CA 94550, USA  
Phone: 1.925.371.1099  
Fax: 1.925.245.1286



---

## Festo Worldwide

Argentina Australia Austria Belarus Belgium Brazil Bulgaria Canada Chile China Colombia Croatia Czech Republic Denmark  
Estonia Finland France Germany Great Britain Greece Hong Kong Hungary India Indonesia Iran Ireland Israel Italy Japan Latvia  
Lithuania Malaysia Mexico Netherlands New Zealand Norway Peru Philippines Poland Romania Russia Serbia Singapore  
Slovakia Slovenia South Africa South Korea Spain Sweden Switzerland Taiwan Thailand Turkey Ukraine United States Venezuela

[www.festo.com](http://www.festo.com)