

Pressure sensors SDE1, with display



Pressure sensors SDE1, with display

Product range overview

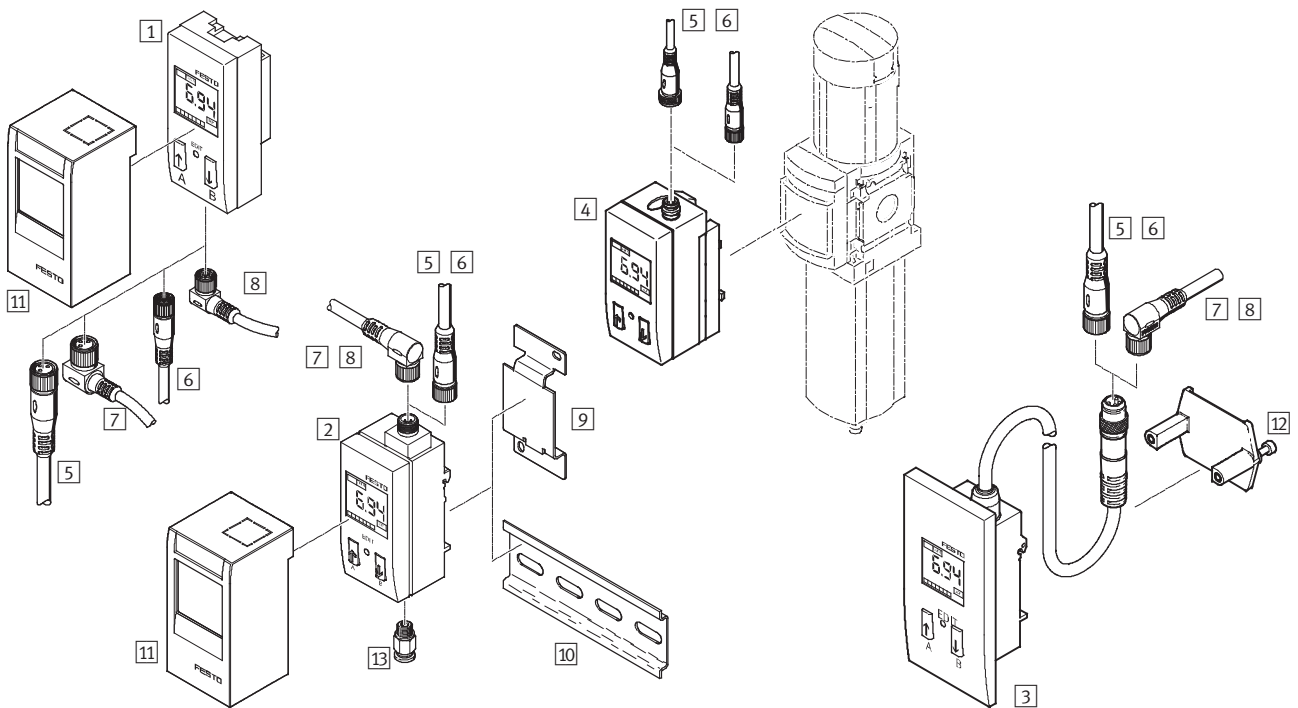
Method of measurement	Operating voltage [V DC]	Measured variable	Pressure measuring range [bar]	Pneumatic connection	Type of mounting	Electrical output	
						Digital	Analogue
Piezoresistive pressure sensor with display	15 ... 30	Relative pressure Differential and relative pressure	-1 ... 0, -1 ... +1, 0 ... 2, 0 ... 6, 0 ... 10	Male thread R1/8, R1/4 Female thread G1/8 Push-in fitting for tubing O.D. 4 mm	On service unit, via H-rail, via wall/surface bracket, front panel mounting	PNP	-
						2x PNP	-
						PNP	0 ... 10 V
						PNP	4 ... 20 mA
						2x PNP	4 ... 20 mA
						NPN	-
						2x NPN	-
						NPN	0 ... 10 V
NPN	4 ... 20 mA						

Variants

- LCD display with backlighting (optimised operation)
- Illuminated LCD display (optimised reading)
- Electrical output PNP, 2x PNP, NPN, 2x NPN, 0 ... 10 V analogue, 4 ... 20 mA analogue and combinations thereof
- Electrical connection with plug M8x1 or M12x1
- Connecting cable

Pressure sensors SDE1, with display

Peripherals overview



Mounting attachments and accessories	→ Page/Internet
1 Pressure sensor SDE1-...-R18, SDE1-...-R14	5
2 Pressure sensor SDE1-...-H18, SDE1-...-W18	5
3 Pressure sensor SDE1-...-FQ4	5
4 Pressure sensor SDE1-...-MS...	5
5 Connecting cable NEBU-M12G...	14
6 Connecting cable, straight socket NEBU-M8G...	14
7 Connecting cable, angled socket NEBU-M12W...	14

Mounting attachments and accessories	→ Page/Internet
8 Connecting cable NEBU-M8W... with angled socket	14
9 Adapter plate SDE1-...-W-...	14
10 Mounting rail to DIN EN 60715	nrh
11 Protective cover SDE1-SH	14
12 Clamping plate (included in the scope of delivery with SDE1-...-FQ4)	-
13 Push-in fitting QS-1/8	14

Pressure sensors SDE1, with display

Type codes

FESTO

SDE1 - D10 - G2 - W18 - L - P1 - M12 - G5

Function

SDE1	Pressure sensor with display
------	------------------------------

Pressure measuring range

V1	-1 ... 0 bar
B2	-1 ... +1 bar
D2	0 ... 2 bar
D6	0 ... 6 bar
D10	0 ... 10 bar

Absolute accuracy

G2	Accuracy 2%
----	-------------

Pneumatic connection and mounting

Measured variable: relative pressure

R18	Male thread R $\frac{1}{8}$, mounting on service unit
R14	Male thread R $\frac{1}{4}$, mounting on service unit
MS4	Direct connection to MS4 series service units
MS6	Direct connection to MS6 series service units
H18	Female thread G $\frac{1}{8}$, H-rail mounting
W18	Female thread G $\frac{1}{8}$, wall or surface mounting

Measured variable: differential pressure and relative pressure

FQ4	Push-in connector QS-4, front panel mounting
HQ4	Push-in connector QS-4, DIN H-rail mounting
WQ4	Push-in connector QS-4, wall or surface mounting

Display and setting

C	LCD display with backlighting (optimised operation)
L	Illuminated LCD display (optimised reading)

Electrical output

P1	1 switching output PNP
P2	2 switching outputs PNP
PU	1 switching output PNP and 0 ... 10 V analogue
PI	1 switching output PNP and 4 ... 20 mA analogue
2I	2 switching outputs PNP and 4 ... 20 mA analogue
N1	1 switching output NPN
N2	2 switching outputs NPN
NU	1 switching output NPN and 0 ... 10 V analogue
NI	1 switching output NPN and 4 ... 20 mA analogue

Electrical connection

M8	Plug M8x1
M12	Plug M12x1

Electric accessories

Connecting cable, straight plug socket

G	2.5 m long
G5	5 m long

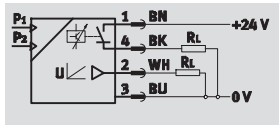
Connecting cable, angled plug socket

W	2.5 m long
W5	5 m long

Pressure sensors SDE1, with display

Technical data

Function¹⁾

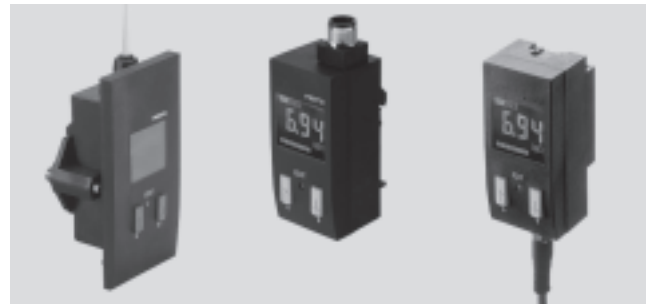


1) e.g. with 1 switching output PNP and 0 ... 10 V analogue

Voltage
15 ... 30 V DC

Pressure
-1 ... +10 bar

Temperature range
0 ... 50 °C



General technical data					
SDE1-...	-R...	-MS...	-H...	-W...	-F...
Certification	cULus recognized (OL) C-Tick				-
CE mark (see declaration of conformity ¹⁾)	To EU EMC Directive				
Note on materials	Free of copper and PTFE RoHS-compliant				

1) For information about the applicability of the component see the manufacturer's EC declaration of conformity at: www.festo.com → Support → User documentation.
If the component is subject to restrictions on usage in residential, office or commercial environments or small businesses, further measures to reduce the emitted interference may be necessary.

Input signal/measuring element					
SDE1	-B2	-V1	-D2	-D6	-D10
Measured variable	Relative pressure Differential pressure ²⁾				
Method of measurement	Piezoresistive pressure sensor with display				
Operating medium	Compressed air in accordance with ISO 8573-1:2010 [7:4:4]				
Note on operating/pilot medium	Operation with lubricated medium possible (in which case lubricated operation will always be required)				
Pressure measuring range [bar]	-1 ... +1	0 ... -1	0 ... 2	0 ... 6	0 ... 10
Temperature of medium [°C]	0 ... 50				
Ambient temperature [°C]	0 ... 50				

2) Versions with push-in connector QS-4

Output, general		
Accuracy FS ³⁾	[%]	2

3) % FS = % of the measuring range (full scale)

Switching output	
Switching output	PNP NPN
Switching function	Freely programmable
Switching element function	Switchable
Reproducibility of switching value [%]	0.3
Max. output current [mA]	150

Analogue output	
Analogue output	[V] [mA]
	0 ... 10 4 ... 20

Output, additional data	
Protection against short circuit	Pulsed

Pressure sensors SDE1, with display

FESTO

Technical data

Electronic components		
Operating voltage range DC	[V]	15 ... 30
Reverse polarity protection		For all electrical connections

Electromechanical components		
SDE1-...	-M8	-M12
Electrical connection	Plug M8x1, 3-pin	Plug M12x1, 3-pin
	Plug M8x1, 4-pin	Plug M12x1, 4-pin
	–	Plug M12x1, 5-pin
	Round design	
	To EN 60947-5-2	

Mechanical components	
Type of mounting	Via H-rail
	Via wall/surface bracket
	On service unit
	Front panel mounting
Pneumatic connection	R $\frac{1}{8}$
	R $\frac{1}{4}$
	G $\frac{1}{8}$
	QS-4
Housing materials	PA, POM-reinforced

Note: This product conforms to ISO 1179-1 and ISO 228-1

Display/operation	
Display type	Back illuminated LCD
	Illuminated LCD
Setting options	Teach-in
Threshold value setting range	[%] 2 ... 99.8
Hysteresis setting range	[%] 0 ... 90

Immissions/emissions	
Protection class	IP65
Corrosion resistance class CRC ⁴⁾	2

4) Corrosion resistance class 2 according to Festo standard 940 070
Components subject to moderate corrosion stress. Externally visible parts with primarily decorative surface requirements which are in direct contact with a normal industrial environment or media such as coolants or lubricating agents.

Pressure sensors SDE1, with display

Technical data

FESTO

Electrical outputs ¹⁾		Pin allocations	
1 switching output PNP			
Variant P1 with plug M8		1 = +24 V 3 = 0 V 4 = Output A	
Variant P1 with plug M12		1 = +24 V 3 = 0 V 4 = Output A	
2 switching outputs PNP			
Variant P2 with plug M8		1 = +24 V 2 = Output B 3 = 0 V 4 = Output A	
Variant P2 with plug M12		1 = +24 V 2 = Output A 3 = 0 V 4 = Output B	
1 switching output PNP and 0 ... 10 V analogue			
Variant PU with plug M8		1 = +24 V 2 = Output B (0 ... 10 V analogue) 3 = 0 V 4 = Output A	
Variant PU with plug M12		1 = +24 V 2 = Output A 3 = 0 V 4 = Output B (0 ... 10 V analogue)	
1 switching output PNP and 4 ... 20 mA analogue			
Variant PI with plug M8		1 = +24 V 2 = Output B (4 ... 20 mA analogue) 3 = 0 V 4 = Output A	
Variant PI with plug M12		1 = +24 V 2 = Output A 3 = 0 V 4 = Output B (4 ... 20 mA analogue)	
2 switching outputs PNP and 4 ... 20 mA analogue			
Variant 2I with plug M12		1 = +24 V 2 = Output B 3 = 0 V 4 = Output A 5 = Output C (4 ... 20 mA analogue)	

1) Core colours indicated apply when using connecting cable NEBU.

Pressure sensors SDE1, with display

Technical data

FESTO

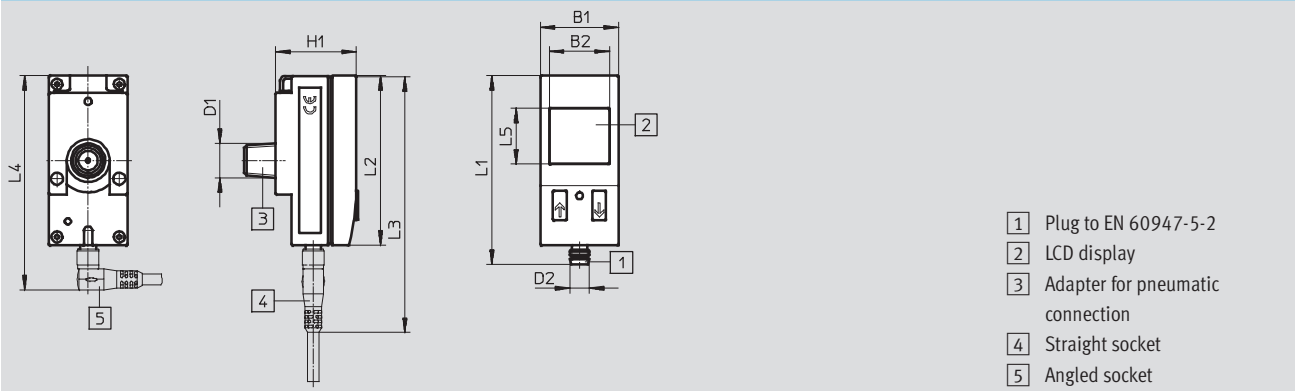
Electrical outputs ¹⁾		Pin allocations	
1 switching output NPN			
Variant N1 with plug M8		1 = +24 V 3 = 0 V 4 = Output A	
Variant N1 with plug M12		1 = +24 V 3 = 0 V 4 = Output A	
2 switching outputs NPN			
Variant N2 with plug M8		1 = +24 V 2 = Output B 3 = 0 V 4 = Output A	
Variant N2 with plug M12		1 = +24 V 2 = Output A 3 = 0 V 4 = Output B	
1 switching output NPN and 0 ... 10 V analogue			
Variant NU with plug M8		1 = +24 V 2 = Output B (0 ... 10 V analogue) 3 = 0 V 4 = Output A	
Variant NU with plug M12		1 = +24 V 2 = Output A 3 = 0 V 4 = Output B (0 ... 10 V analogue)	
1 switching output NPN and 4 ... 20 mA analogue			
Variant NI with plug M8		1 = +24 V 2 = Output B (4 ... 20 mA analogue) 3 = 0 V 4 = Output A	
Variant NI with plug M12		1 = +24 V 2 = Output A 3 = 0 V 4 = Output B (4 ... 20 mA analogue)	

1) Core colours indicated apply when using connecting cable NEBU.

Pressure sensors SDE1, with display

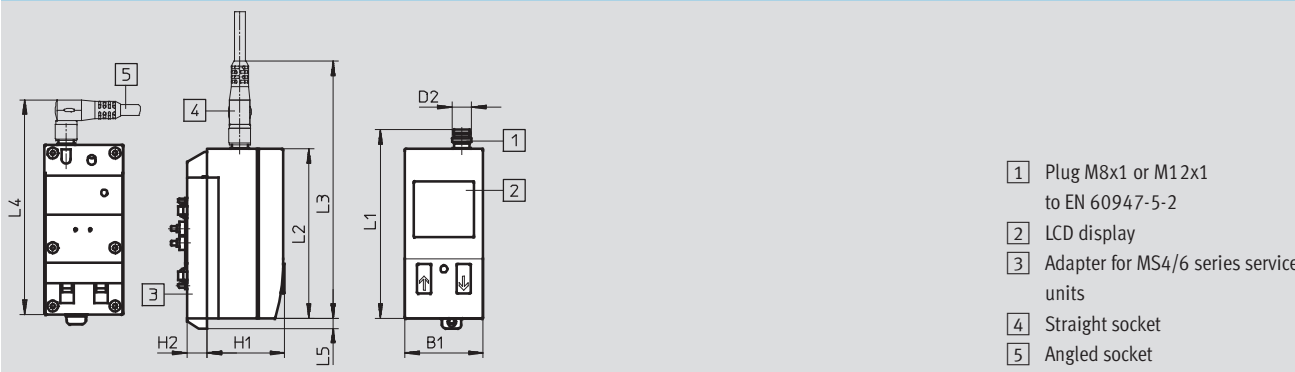
Technical data

Dimensions – Mounting via male thread R $\frac{1}{8}$ or R $\frac{1}{4}$



Type	B1	B2	D1	D2	H1	L1	L2	L3	L4	L5
SDE1-...-R18-M8	32.3	25	R $\frac{1}{8}$	M8	33	78	70	107	89	23
SDE1-...-R14-M8			R $\frac{1}{4}$							
SDE1-...-R18-M12	32.3	25	R $\frac{1}{8}$	M12	33	87	70	125	103	23
SDE1-...-R14-M12			R $\frac{1}{4}$							

Dimensions – Direct connection to MS4/6 series service units



Type	B1	D2	H1	H2	L1	L2	L3	L4	L5
SDE1-...-MS-...-M8	32.3	M8	31.2	8.8	78	70	107	89	4.13
SDE1-...-MS-...-M12		M12							

Pressure sensors SDE1, with display

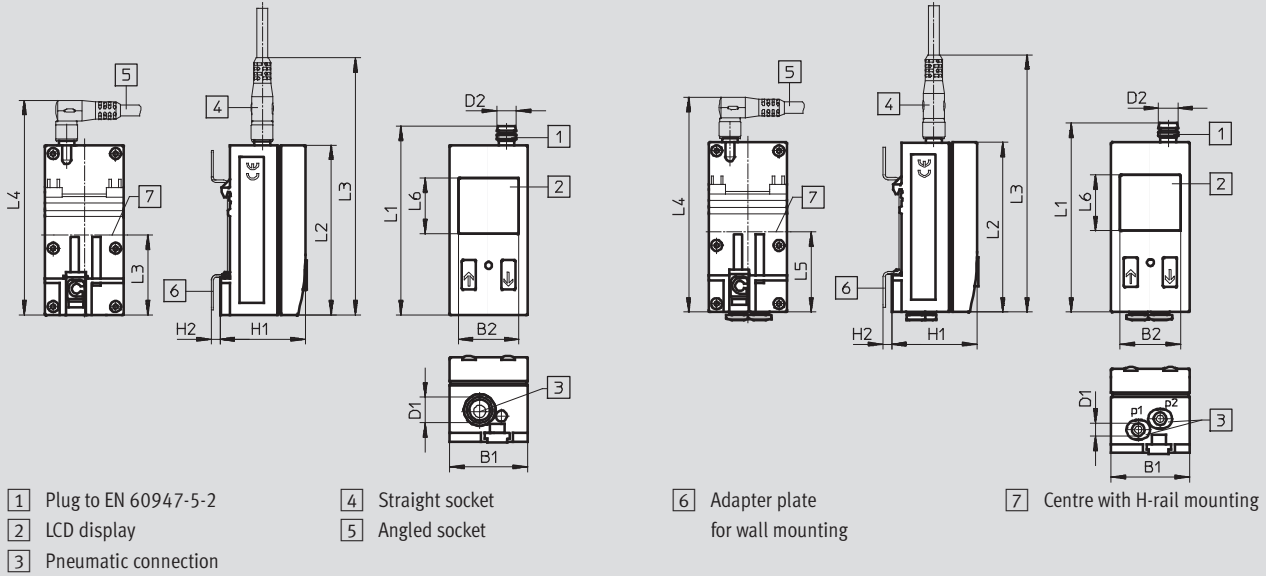
Technical data

FESTO

Dimensions – H-rail, wall or surface mounting

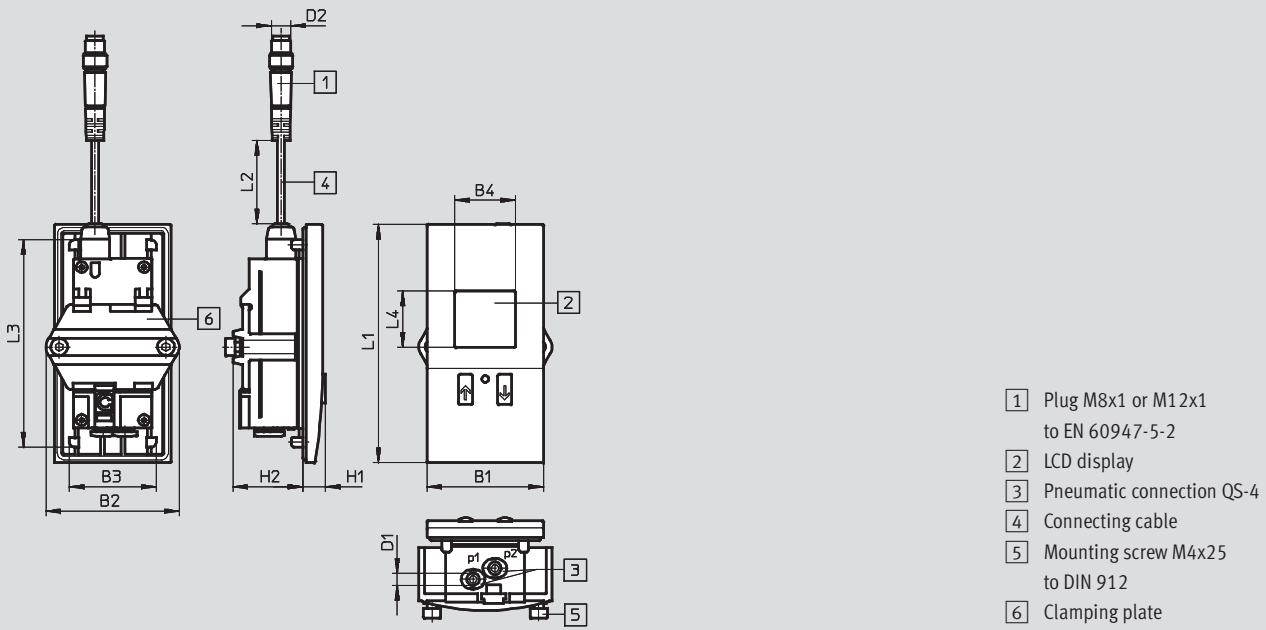
Pneumatic connection G $\frac{1}{8}$

Pneumatic connection QS-4



Type	B1	B2	D1	D2	H1	H2	L1	L2	L3	L4	L5	L6
SDE1-...-H18-...-M8	32.3	25	G $\frac{1}{8}$	M8	35.2	3.6	78	70	107	89	33	23
SDE1-...-W18-...-M8												
SDE1-...-H18-...-M12	32.3	25	G $\frac{1}{8}$	M12	35.2	3.6	87	70	125	103	33	23
SDE1-...-W18-...-M12												
SDE1-...-HQ4-...-M8	32.3	25	QS-4	M8	35.2	3.6	78	70	107	89	33	23
SDE1-...-WQ4-...-M8												

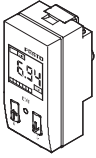
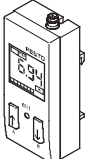
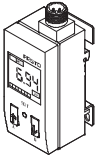
Dimensions – Panel mounting



Type	B1	B2	B3	B4	D1	D2	H1	H2	L1	L2	L3	L4
SDE1-...-FQ4-M8	48	55	35.8	25	QS-4	M8x1	8	29	98	320	85.3	23
SDE1-...-FQ4-M12						M12x1						

Pressure sensors SDE1, with display

Technical data

Ordering data – Measured variable: relative pressure							
Version	Pressure measuring range [bar]	Switching output	Analogue output	Electrical connection	Display type	Part No.	Type
	Male thread R $\frac{1}{8}$, mounting on D series service unit						
	0 ... 10	PNP	–	Plug M8x1, 3-pin	LCD ¹⁾	192026	SDE1-D10-G2-R18-C-P1-M8
					Illuminated LCD	529970	SDE1-D10-G2-R18-L-P1-M8
		2x PNP	–	Plug M12x1, 3-pin	Illuminated LCD	534064	SDE1-D10-G2-R18-L-P1-M12
					LCD ¹⁾	192027	SDE1-D10-G2-R18-C-P2-M8
		PNP	0 ... 10 V	Plug M8x1, 4-pin	LCD ¹⁾	529958	SDE1-D10-G2-R18-C-PU-M8
					Illuminated LCD	529972	SDE1-D10-G2-R18-L-PU-M8
	Male thread R $\frac{1}{4}$, mounting on D series service unit						
	0 ... 10	PNP	–	Plug M8x1, 3-pin	LCD ¹⁾	192028	SDE1-D10-G2-R14-C-P1-M8
					Illuminated LCD	529967	SDE1-D10-G2-R14-L-P1-M8
		2x PNP	–	Plug M12x1, 3-pin	Illuminated LCD	534157	SDE1-D10-G2-R14-L-P1-M12
					LCD ¹⁾	192029	SDE1-D10-G2-R14-C-P2-M8
		PNP	0 ... 10 V	Plug M8x1, 4-pin	Illuminated LCD	529968	SDE1-D10-G2-R14-L-P2-M8
					LCD ¹⁾	529957	SDE1-D10-G2-R14-C-PU-M8
Illuminated LCD	529969	SDE1-D10-G2-R14-L-PU-M8					
	Female thread G $\frac{1}{8}$, H-rail mounting						
	0 ... -1	PNP	–	Plug M8x1, 3-pin	LCD ¹⁾	192034	SDE1-V1-G2-H18-C-P1-M8
					Illuminated LCD	529973	SDE1-V1-G2-H18-L-P1-M8
		2x PNP	–	Plug M8x1, 4-pin	LCD ¹⁾	192035	SDE1-V1-G2-H18-C-P2-M8
					Illuminated LCD	529974	SDE1-V1-G2-H18-L-P2-M8
		PNP	0 ... 10 V	Plug M8x1, 4-pin	LCD ¹⁾	529959	SDE1-V1-G2-H18-C-PU-M8
					Illuminated LCD	529975	SDE1-V1-G2-H18-L-PU-M8
	0 ... 10	PNP	–	Plug M8x1, 3-pin	LCD ¹⁾	192030	SDE1-D10-G2-H18-C-P1-M8
					Illuminated LCD	529961	SDE1-D10-G2-H18-L-P1-M8
			2x PNP	–	Plug M8x1, 4-pin	LCD ¹⁾	192031
Illuminated LCD						529962	SDE1-D10-G2-H18-L-P2-M8
	PNP	0 ... 10 V	Plug M8x1, 4-pin	LCD ¹⁾	529955	SDE1-D10-G2-H18-C-PU-M8	
				Illuminated LCD	529963	SDE1-D10-G2-H18-L-PU-M8	
	Female thread G $\frac{1}{8}$, for wall or surface mounting ²⁾						
	0 ... -1	PNP	–	Plug M12x1, 3-pin	Illuminated LCD	534065	SDE1-V1-G2-W18-L-P1-M12
				Plug M8x1, 4-pin		537022	SDE1-V1-G2-W18-L-PI-M8
		Plug M12x1, 4-pin	537023	SDE1-V1-G2-W18-L-PI-M12			
	0 ... 2	PNP	–	Plug M8x1, 3-pin	537024	SDE1-D2-G2-W18-L-P1-M8	
		2x PNP	–	Plug M8x1, 4-pin	537025	SDE1-D2-G2-W18-L-P2-M8	
	0 ... 6	PNP	–	Plug M8x1, 3-pin	537026	SDE1-D6-G2-W18-L-P1-M8	
		2x PNP	–	Plug M8x1, 4-pin	537027	SDE1-D6-G2-W18-L-P2-M8	
	0 ... 10	PNP	–	Plug M12x1, 3-pin	534063	SDE1-D10-G2-W18-L-P1-M12	
				Plug M8x1, 4-pin	530900	SDE1-D10-G2-W18-L-PU-M8	
		2x PNP	4 ... 20 mA	Plug M12x1, 5-pin	534062	SDE1-D10-G2-W18-L-2I-M12	
				Plug M8x1, 4-pin	537020	SDE1-D10-G2-W18-L-PI-M8	
		PNP	4 ... 20 mA	Plug M12x1, 4-pin	537021	SDE1-D10-G2-W18-L-PI-M12	

1) Back illuminated

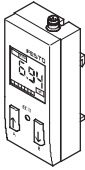
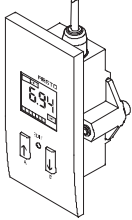
2) Adapter plate SDE1-...-W... included in the scope of delivery.

Note

Additional variants and accessories can be configured and ordered through the SDE1 modular system → 13.

Pressure sensors SDE1, with display

Technical data

Ordering data – Measured variable: differential pressure and relative pressure						
Version	Pressure measuring range [bar]	Switching output	Analogue output	Electrical connection	Display type	Part No. Type
	Push-in connector QS-4, for H-rail mounting					
	0 ... -1	PNP	–	Plug M8x1, 3-pin	LCD ¹⁾	192036 SDE1-V1-G2-HQ4-C-P1-M8
					Illuminated LCD	529976 SDE1-V1-G2-HQ4-L-P1-M8
		2x PNP	–	Plug M8x1, 4-pin	LCD ¹⁾	192037 SDE1-V1-G2-HQ4-C-P2-M8
					Illuminated LCD	529977 SDE1-V1-G2-HQ4-L-P2-M8
	0 ... 10	PNP	–	Plug M8x1, 3-pin	LCD ¹⁾	192032 SDE1-D10-G2-HQ4-C-P1-M8
					Illuminated LCD	529964 SDE1-D10-G2-HQ4-L-P1-M8
		2x PNP	–	Plug M8x1, 4-pin	LCD ¹⁾	192033 SDE1-D10-G2-HQ4-C-P2-M8
	Illuminated LCD				529965 SDE1-D10-G2-HQ4-L-P2-M8	
		PNP	0 ... 10 V	Plug M8x1, 4-pin	LCD ¹⁾	529956 SDE1-D10-G2-HQ4-C-PU-M8
	Push-in connector QS-4, for H-rail, wall or surface mounting					
	0 ... 2	2x PNP	–	Plug M8x1, 4-pin	LCD ¹⁾	535581 SDE1-D2-G2-WQ4-C-P2-M8
	Push-in connector QS-4, for front panel mounting					
	0 ... 10	PNP	–	Plug M8x1, 3-pin	Illuminated LCD	537028 SDE1-D10-G2-FQ4-L-P1-M8
				Plug M12x1, 3-pin		537030 SDE1-D10-G2-FQ4-L-P1-M12
		2x PNP	–	Plug M8x1, 4-pin		537029 SDE1-D10-G2-FQ4-L-P2-M8
				Plug M12x1, 4-pin	537031 SDE1-D10-G2-FQ4-L-P2-M12	

1) Back illuminated

Note

Additional variants and accessories can be configured and ordered through the SDE1 modular system → 13.

Pressure sensors SDE1, with display

Modular product system

FESTO

M Mandatory data								O Options
Module No.	Function	Pressure range	Absolute accuracy	Pneumatic connection and mounting	Display and setting	Electrical output	Electrical connection	Accessories: plug socket
192766	SDE1	B2, V1, D2, D6, D10	G2	R18, R14, MS4, MS6, H18, W18, HQ4, WQ4, FQ4	C, L	P1, P2, PU, PI, N1, N2, NU, NI	M8, M12	G, W, G5, W5
Ordering example								
192766	SDE1	-D6	-G2	-W18	-L	-P2	-M12	-W5

Ordering table		Condition s	Code	Enter code
M	Module No.	192766		192766
	Function	Pressure sensor	SDE1	SDE1
	Pressure range	Pressure range -1 ... 1 bar	-B2	
		Pressure range 0 ... -1 bar	-V1	
		Pressure range 0 ... 2 bar	-D2	
		Pressure range 0 ... 6 bar	-D6	
		Pressure range 0 ... 10 bar	-D10	
	Absolute accuracy	Accuracy 2%	-G2	-G2
	Pneumatic connection and mounting	Mounting R $\frac{1}{8}$ (service units)	-R18	
		Mounting R $\frac{1}{4}$ (service units)	-R14	
		Direct connection on MS4 series service units	-MS4	
		Direct connection on MS6 series service units	-MS6	
		Relative pressure with G $\frac{1}{8}$ connection for H-rail mounting	-H18	
		Relative pressure with G $\frac{1}{8}$ connection for wall/surface mounting	-W18	
		H-rail mounting, 4 mm push-in connector	-HQ4	
		Wall mounting, 4 mm push-in connector	-WQ4	
		Front panel mounting, 4 mm push-in connector	-FQ4	
	Display and setting	LCD display (optimised operation)	-C	
		Illuminated LCD (optimised reading)	-L	
	Electrical output	1 switch (PNP)	-P1	
		2 switches (PNP)	-P2	
		1 switch (PNP) and 0 ... 10 V analogue	-PU	
		1 switch (PNP) and 4 ... 20 mA analogue	-PI	
		1 switch (NPN)	-N1	
		2 switches (NPN)	-N2	
		1 switch (NPN) and 0 ... 10 V analogue	-NU	
		1 switch (NPN) and 4 ... 20 mA analogue	-NI	
	Electrical connection	Plug M8	-M8	
		Plug M12	-M12	
O	Accessories		-	
	Electric accessories	Connecting cable, straight plug socket, 2.5 m	¹	G
		Connecting cable, angled plug socket, 2.5 m	¹	W
		Connecting cable, straight plug socket, 5 m		G5
		Connecting cable, angled plug socket, 5 m		W5


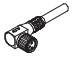
¹ G, W Not with electrical connection M12 in combination with electrical output P2, PU, PI, N2, NU, NI.



Transfer order code

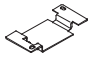
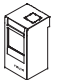
192766 SDE1 - [] - G2 - [] - [] - [] - [] - []


Pressure sensors SDE1, with display

Accessories

Ordering data – Connecting cables				Technical data → Internet: nebu	
	Number of wires	Cable length [m]	Part No.	Type	
M8x1, straight socket					
	3	2.5	541333	NEBU-M8G3-K-2.5-LE3	
		5	541334	NEBU-M8G3-K-5-LE3	
	4	2.5	541342	NEBU-M8G4-K-2.5-LE4	
		5	541343	NEBU-M8G4-K-5-LE4	
M8x1, angled socket					
	3	2.5	541338	NEBU-M8W3-K-2.5-LE3	
		5	541341	NEBU-M8W3-K-5-LE3	
	4	2.5	541344	NEBU-M8W4-K-2.5-LE4	
		5	541345	NEBU-M8W4-K-5-LE4	

Ordering data – Connecting cables				Technical data → Internet: nebu	
	Number of wires	Cable length [m]	Part No.	Type	
M12x1, straight socket					
	3	2.5	541363	NEBU-M12G5-K-2.5-LE3	
		5	541364	NEBU-M12G5-K-5-LE3	
	4	2.5	550326	NEBU-M12G5-K-2.5-LE4	
		5	541328	NEBU-M12G5-K-5-LE4	
	5	2.5	541330	NEBU-M12G5-K-2.5-LE5	
		5	541331	NEBU-M12G5-K-5-LE5	
M12x1, angled socket					
	3	2.5	541367	NEBU-M12W5-K-2.5-LE3	
		5	541370	NEBU-M12W5-K-5-LE3	
	4	2.5	550325	NEBU-M12W5-K-2.5-LE4	
		5	541329	NEBU-M12W5-K-5-LE4	

Ordering data – Accessories		
	Part No.	Type
Adapter plate		
	194297	SDE1-...-W-...
Protective cover		
	537074	SDE1-SH

Ordering data – Push-in fittings				Technical data → Internet: quick star	
	For tubing O.D. [mm]	Part No.	Type		
	4	186095	QS-G $\frac{1}{8}$ -4		
	6	186096	QS-G $\frac{1}{8}$ -6		
	8	186098	QS-G $\frac{1}{8}$ -8		

Product Range and Company Overview

A Complete Suite of Automation Services

Our experienced engineers provide complete support at every stage of your development process, including: conceptualization, analysis, engineering, design, assembly, documentation, validation, and production.



Custom Automation Components
Complete custom engineered solutions



Custom Control Cabinets
Comprehensive engineering support and on-site services



Complete Systems
Shipment, stocking and storage services

The Broadest Range of Automation Components

With a comprehensive line of more than 30,000 automation components, Festo is capable of solving the most complex automation requirements.



Electromechanical
Electromechanical actuators, motors, controllers & drives



Pneumatics
Pneumatic linear and rotary actuators, valves, and air supply



PLCs and I/O Devices
PLC's, operator interfaces, sensors and I/O devices

Supporting Advanced Automation... As No One Else Can!

Festo is a leading global manufacturer of pneumatic and electromechanical systems, components and controls for industrial automation, with more than 12,000 employees in 56 national headquarters serving more than 180 countries. For more than 80 years, Festo has continuously elevated the state of manufacturing with innovations and optimized motion control solutions that deliver higher performing, more profitable automated manufacturing and processing equipment. Our dedication to the advancement of automation extends beyond technology to the education and development of current and future automation and robotics designers with simulation tools, teaching programs, and on-site services.

Quality Assurance, ISO 9001 and ISO 14001 Certifications

Festo Corporation is committed to supply all Festo products and services that will meet or exceed our customers' requirements in product quality, delivery, customer service and satisfaction.

To meet this commitment, we strive to ensure a consistent, integrated, and systematic approach to management that will meet or exceed the requirements of the ISO 9001 standard for Quality Management and the ISO 14001 standard for Environmental Management.



© Copyright 2008, Festo Corporation. While every effort is made to ensure that all dimensions and specifications are correct, Festo cannot guarantee that publications are completely free of any error, in particular typing or printing errors. Accordingly, Festo cannot be held responsible for the same. For Liability and Warranty conditions, refer to our "Terms and Conditions of Sale", available from your local Festo office. All rights reserved. No part of this publication may be reproduced, distributed, or transmitted in any form or by any means, electronic, mechanical, photocopying or otherwise, without the prior written permission of Festo. All technical data subject to change according to technical update.



Printed on recycled paper at New Horizon Graphic, Inc., FSC certified as an environmentally friendly printing plant.

Festo North America

Festo Regional Contact Center

5300 Explorer Drive
Mississauga, Ontario L4W 5G4
Canada

USA Customers:

For ordering assistance,

Call: 1.800.99.FESTO (1.800.993.3786)

Fax: 1.800.96.FESTO (1.800.963.3786)

Email: customer.service@us.festo.com

For technical support,

Call: 1.866.GO.FESTO (1.866.463.3786)

Fax: 1.800.96.FESTO (1.800.963.3786)

Email: product.support@us.festo.com

Canadian Customers:

Call: 1.877.GO.FESTO (1.877.463.3786)

Fax: 1.877.FX.FESTO (1.877.393.3786)

Email: festo.canada@ca.festo.com

USA Headquarters

Festo Corporation
395 Moreland Road
P.O. Box 18023
Hauppauge, NY 11788, USA
www.festo.com/us

USA Sales Offices

Appleton

North 922 Tower View Drive, Suite N
Greenville, WI 54942, USA

Boston

120 Presidential Way, Suite 330
Woburn, MA 01801, USA

Chicago

1441 East Business Center Drive
Mt. Prospect, IL 60056, USA

Dallas

1825 Lakeway Drive, Suite 600
Lewisville, TX 75057, USA

Detroit – Automotive Engineering Center

2601 Cambridge Court, Suite 320
Auburn Hills, MI 48326, USA

New York

395 Moreland Road
Hauppauge, NY 11788, USA

Silicon Valley

4935 Southfront Road, Suite F
Livermore, CA 94550, USA

United States



USA Headquarters, East: Festo Corp., 395 Moreland Road, Hauppauge, NY 11788

Phone: 1.631.435.0800; Fax: 1.631.435.8026;

Email: info@festo-usa.com

www.festo.com/us

Canada



Headquarters: Festo Inc., 5300 Explorer Drive, Mississauga, Ontario L4W 5G4

Phone: 1.905.624.9000; Fax: 1.905.624.9001;

Email: festo.canada@ca.festo.com

www.festo.ca

Mexico



Headquarters: Festo Pneumatic, S.A., Av. Ceylán 3, Col. Tequesquahuac,
54020 Tlalneantla, Edo. de México

Phone: 011 52 [55] 53 21 66 00; Fax: 011 52 [55] 53 21 66 65;

Email: festo.mexico@mx.festo.com

www.festo.com/mx

Central USA

Festo Corporation
1441 East Business
Center Drive
Mt. Prospect, IL 60056, USA
Phone: 1.847.759.2600
Fax: 1.847.768.9480



Western USA

Festo Corporation
4935 Southfront Road,
Suite F
Livermore, CA 94550, USA
Phone: 1.925.371.1099
Fax: 1.925.245.1286



Festo Worldwide

Argentina Australia Austria Belarus Belgium Brazil Bulgaria Canada Chile China Colombia Croatia Czech Republic Denmark
Estonia Finland France Germany Great Britain Greece Hong Kong Hungary India Indonesia Iran Ireland Israel Italy Japan Latvia
Lithuania Malaysia Mexico Netherlands New Zealand Norway Peru Philippines Poland Romania Russia Serbia Singapore
Slovakia Slovenia South Africa South Korea Spain Sweden Switzerland Taiwan Thailand Turkey Ukraine United States Venezuela

www.festo.com