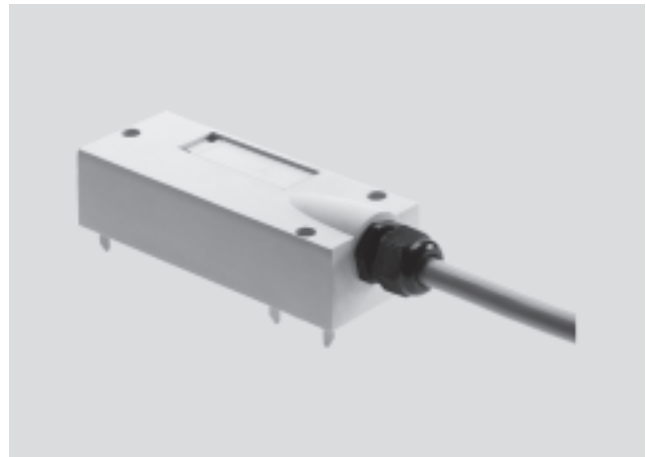


# Electrical connection technology, for multi-pin plug connection

Technical data – NEBV-S1W37-...

- Plug socket with cable for multi-pin connection
- Pre-assembled
- Cable lengths 2.5 m, 5 m or 10 m
- 10-pin, 26-pin, 27-pin or 37-pin
- Sub-D



General technical data		NEBV-S1W37-...-LE10	NEBV-S1W37-...-LE26	NEBV-S1W37-...-LE27	NEBV-S1W37-...-LE37
Type					
Nominal operating voltage	[V]	24 DC			
Operating voltage range	[V]	21.6 ... 26.4 DC			
Cable Ø	[mm]	7.7	11.5	11.5	13
Protection class to EN 60529		IP65			
Protection class to NEMA		NEMA4			
Housing material		Polyamide			
Cable sheath material		Polyurethane or polyvinyl chloride → Ordering data			
Ambient temperature	[°C]	-5 ... +50			

Ordering data							
	Electrical connection	Cable design [mm <sup>2</sup> ]	Suitable for chain link trunking	Product weight [g]	Cable length [m]	Type	Part No.
Cable sheath made of polyurethane							
	Socket, 10-pin, Sub-D	10x0.34	■	383	2.5	NEBV-S1W37-E-2,5-LE10	539 240
	Socket, 10-pin, Sub-D	10x0.34	■	570	5	NEBV-S1W37-E-5-LE10	539 241
	Socket, 10-pin, Sub-D	10x0.34	■	954	10	NEBV-S1W37-E-10-LE10	539 242
	Socket, 26-pin, Sub-D	26x0.34	■	649	2.5	NEBV-S1W37-E-2,5-LE26	539 243
	Socket, 26-pin, Sub-D	26x0.34	■	1101	5	NEBV-S1W37-E-5-LE26	539 244
	Socket, 26-pin, Sub-D	26x0.34	■	2010	10	NEBV-S1W37-E-10-LE26	539 245
	Socket, 37-pin, Sub-D	37x0.34	-	820	2.5	NEBV-S1W37-K-2,5-LE37	539 246
	Socket, 37-pin, Sub-D	37x0.34	-	1422	5	NEBV-S1W37-K-5-LE37	539 247
	Socket, 37-pin, Sub-D	37x0.34	-	2619	10	NEBV-S1W37-K-10-LE37	539 248
Cable sheath made of polyvinyl chloride							
	Socket, 10-pin, Sub-D	10x0.34	-	388	2.5	NEBV-S1W37-KM-2,5-LE10	543 271
	Socket, 10-pin, Sub-D	10x0.34	-	592	5	NEBV-S1W37-KM-5-LE10	543 272
	Socket, 10-pin, Sub-D	10x0.34	-	997	10	NEBV-S1W37-KM-10-LE10	543 273
	Socket, 27-pin, Sub-D	27x0.34	-	749	2.5	NEBV-S1W37-KM-2,5-LE26	543 274
	Socket, 27-pin, Sub-D	27x0.34	-	1285	5	NEBV-S1W37-KM-5-LE26	543 275
	Socket, 27-pin, Sub-D	27x0.34	-	2371	10	NEBV-S1W37-KM-10-LE26	543 276
	Socket, 37-pin, Sub-D	37x0.34	-	903	2.5	NEBV-S1W37-KM-2,5-LE37	543 277
	Socket, 37-pin, Sub-D	37x0.34	-	1610	5	NEBV-S1W37-KM-5-LE37	543 278
	Socket, 37-pin, Sub-D	37x0.34	-	2955	10	NEBV-S1W37-KM-10-LE37	543 279

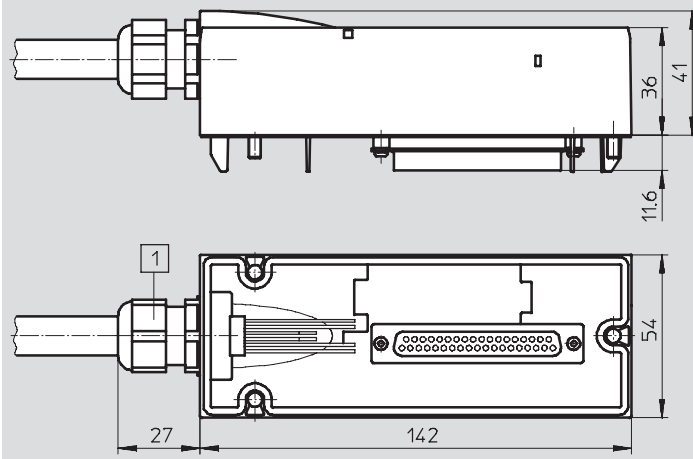
# Electrical connection technology, for multi-pin plug connection

Technical data – NEBV-S1W37-...

## Dimensions

Download CAD data → [www.festo.com](http://www.festo.com)

NEBV-S1W37-...



1 Cable conduit fitting M20x1.5

# Electrical connection technology, for multi-pin plug connection

Technical data – NEBV-S1W37-...

Wiring allocation (socket view)								
	NEBV-S1W37-...-LE10		NEBV-S1W37-...-LE26		NEBV-S1W37-...-LE27		NEBV-S1W37-...-LE37	
	Pin	Core colour	Pin	Core colour	Pin	Core colour	Pin	Core colour
	1	White	1	White	1	White	1	White
	2	Brown	2	Brown	2	Brown	2	Brown
	3	Green	3	Green	3	Green	3	Green
	4	Yellow	4	Yellow	4	Yellow	4	Yellow
	5	Grey	5	Grey	5	Grey	5	Grey
	6	Pink	6	Pink	6	Pink	6	Pink
	7	Blue	7	Blue	7	Blue	7	Blue
	8	Red	8	Red	8	Red	8	Red
	9	–	9	Grey-pink	9	Grey-pink	9	Grey-pink
	10	–	10	Red-blue	10	Red-blue	10	Red-blue
	11	–	11	White-green	11	White-green	11	White-green
	12	–	12	Brown-green	12	Brown-green	12	Brown-green
	13	–	13	White-yellow	13	White-yellow	13	White-yellow
	14	–	14	Yellow-brown	14	Yellow-brown	14	Yellow-brown
	15	–	15	White-grey	15	White-grey	15	White-grey
	16	–	16	Grey-brown	16	Grey-brown	16	Grey-brown
	17	–	17	White-pink	17	White-pink	17	White-pink
	18	–	18	Pink-brown	18	Pink-brown	18	Pink-brown
	19	–	19	White-blue	19	White-blue	19	White-blue
	20	–	20	Brown-blue	20	Brown-blue	20	Brown-blue
	21	–	21	White-red	21	White-red	21	White-red
	22	–	22	Brown-red	22	Brown-red	22	Brown-red
	23	–	23	–	23	Grey-green	23	Grey-green
	24	–	24	–	24	–	24	Yellow-grey
	25	–	25	–	25	–	25	Pink-green
	26	–	26	–	26	–	26	Yellow-pink
	27	–	27	–	27	–	27	Green-blue
	28	–	28	–	28	–	28	Yellow-blue
	29	–	29	–	29	–	29	Green-red
	30	–	30	–	30	–	30	Yellow-red
	31	–	31	–	31	–	31	Green-black
	32	–	32	–	32	–	32	Grey-blue
	33	–	33	–	33	–	33	Yellow-black
	34	–	34	White-black	34	White-black	34	White-black
	35	–	35	Brown-black	35	Brown-black	35	Brown-black
	36	Black	36	Black	36	Black	36	Black
	37	Magenta	37	Magenta	37	Magenta	37	Magenta



# Product Range and Company Overview

## A Complete Suite of Automation Services

Our experienced engineers provide complete support at every stage of your development process, including: conceptualization, analysis, engineering, design, assembly, documentation, validation, and production.



**Custom Automation Components**  
Complete custom engineered solutions



**Custom Control Cabinets**  
Comprehensive engineering support and on-site services



**Complete Systems**  
Shipment, stocking and storage services

## The Broadest Range of Automation Components

With a comprehensive line of more than 30,000 automation components, Festo is capable of solving the most complex automation requirements.



**Electromechanical**  
Electromechanical actuators, motors, controllers & drives



**Pneumatics**  
Pneumatic linear and rotary actuators, valves, and air supply



**PLCs and I/O Devices**  
PLC's, operator interfaces, sensors and I/O devices

## Supporting Advanced Automation... As No One Else Can!

Festo is a leading global manufacturer of pneumatic and electromechanical systems, components and controls for industrial automation, with more than 12,000 employees in 56 national headquarters serving more than 180 countries. For more than 80 years, Festo has continuously elevated the state of manufacturing with innovations and optimized motion control solutions that deliver higher performing, more profitable automated manufacturing and processing equipment. Our dedication to the advancement of automation extends beyond technology to the education and development of current and future automation and robotics designers with simulation tools, teaching programs, and on-site services.

## Quality Assurance, ISO 9001 and ISO 14001 Certifications

Festo Corporation is committed to supply all Festo products and services that will meet or exceed our customers' requirements in product quality, delivery, customer service and satisfaction.

To meet this commitment, we strive to ensure a consistent, integrated, and systematic approach to management that will meet or exceed the requirements of the ISO 9001 standard for Quality Management and the ISO 14001 standard for Environmental Management.



© Copyright 2008, Festo Corporation. While every effort is made to ensure that all dimensions and specifications are correct, Festo cannot guarantee that publications are completely free of any error, in particular typing or printing errors. Accordingly, Festo cannot be held responsible for the same. For Liability and Warranty conditions, refer to our "Terms and Conditions of Sale", available from your local Festo office. All rights reserved. No part of this publication may be reproduced, distributed, or transmitted in any form or by any means, electronic, mechanical, photocopying or otherwise, without the prior written permission of Festo. All technical data subject to change according to technical update.



Printed on recycled paper at New Horizon Graphic, Inc., FSC certified as an environmentally friendly printing plant.

# Festo North America

## United States

**Customer Resource Center**  
502 Earth City Expy., Suite 125  
Earth City, MO 63045

For ordering assistance, or to find  
your nearest Festo Distributor,

**Call:** 1.800.99.FESTO

**Fax:** 1.800.96.FESTO

**Email:** customer.service@us.festo.com

For technical support,

**Call:** 1.866.GO.FESTO

**Fax:** 1.800.96.FESTO

**Email:** product.support@us.festo.com

### Headquarters

Festo Corporation  
395 Moreland Road  
P.O. Box 18023  
Hauppauge, NY 11788  
[www.festo.com/us](http://www.festo.com/us)

---

### Sales Offices

#### Appleton

N. 922 Tower View Drive, Suite N  
Greenville, WI 54942

#### Boston

120 Presidential Way, Suite 330  
Woburn, MA 01801

#### Chicago

1441 East Business Center Drive  
Mt. Prospect, IL 60056

#### Dallas

1825 Lakeway Drive, Suite 600  
Lewisville, TX 75057

#### Detroit - Automotive Engineering Center

2601 Cambridge Court, Suite 320  
Auburn Hills, MI 48326

#### New York

395 Moreland Road  
Hauppauge, NY 11788

#### Silicon Valley

4935 Southfront Road, Suite F  
Livermore, CA 94550

## Design and Manufacturing Operations



**East:** 395 Moreland Road, Hauppauge, NY 11788



**Central:** 1441 East Business Center Drive, Mt. Prospect, IL 60056



**West:** 4935 Southfront Road, Suite F, Livermore, CA 94550

---

## Mexico

### Headquarters

Festo Pneumatic, S.A.  
Av. Ceylán 3, Col. Tequesquahuac  
54020 Tlalnepantla, Edo. de México  
**Call:** 011 52 [55] 53 21 66 00  
**Fax:** 011 52 [55] 53 21 66 65  
**Email:** festo.mexico@mx.festo.com  
[www.festo.com/mx](http://www.festo.com/mx)



---

## Canada

### Headquarters

Festo Inc.  
5300 Explorer Drive  
Mississauga, Ontario L4W 5G4  
**Call:** 1.905.624.9000  
**Fax:** 1.905.624.9001  
**Email:** info.ca@ca.festo.com  
[www.festo.com/ca](http://www.festo.com/ca)



---

## Festo Worldwide

Argentina Australia Austria Belarus Belgium Brazil Bulgaria Canada Chile China Colombia Croatia Czech Republic Denmark  
Estonia Finland France Germany Great Britain Greece Hong Kong Hungary India Indonesia Iran Ireland Israel Italy Japan  
Latvia Lithuania Malaysia Mexico Netherlands New Zealand Norway Peru Philippines Poland Romania Russia Serbia Singapore  
Slovakia Slovenia South Africa South Korea Spain Sweden Switzerland Taiwan Thailand Turkey Ukraine United States Venezuela

[www.festo.com](http://www.festo.com)