

## Electrical connection technology, for multi-pin plug connection

**FESTO**

Technical data

**Connecting cable**  
**NEBV-S1G44**  
**NEBV-S1WA44**

- Connecting cable for multi-pin plug connection
- Pre-assembled
- Straight or angled socket
- Cable lengths 2.5 m, 5 m or 10 m
- 40 and 44 wires
- Sub-D



General technical data			
Type	S1G44-...-LE39	S1G44-...-LE44-S6	S1WA44-...-LE44-S9
Type of mounting	4-40UNC	4-40UNC	4-40UNC
Nominal operating voltage [V DC]	≤30	≤30	≤30
Acceptable current load at 40 °C [A]	0.86	0.86	0.86
Electrical connection	Socket, Sub-D, 44-pin	Socket, Sub-D, 44-pin	Socket, Sub-D, 44-pin
Cable diameter Ø [mm]	9.6±0.5	10.2±0.3	10.2±0.3
Min. cable bending radius [mm]	95	122	122
Mounting position	Any	Any	Any
Cable characteristics	For static applications	For static applications	For static applications
Degree of protection to EN 60529 (in assembled state)	IP65	IP40	IP65, IP67

Materials			
Type	S1G44-...-LE39	S1G44-...-LE44-S6	S1WA44-...-LE44-S9
Housing	PBT	Reinforced PC	Reinforced PA
Cable sheath	PVC	PVC	PVC
Pin contacts	Gold-plated bronze	Gold-plated bronze	Gold-plated bronze

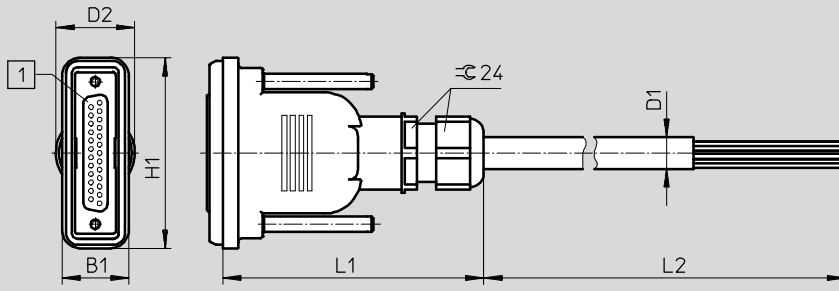
Operating and environmental conditions			
Type	S1G44-...-LE39	S1G44-...-LE44-S6	S1WA44-...-LE44-S9
Ambient temperature [°C]	-5 ... +60	-5 ... +80	-5 ... +80
Degree of contamination	-	-	3
Note on materials	RoHS-compliant	RoHS-compliant	RoHS-compliant

# Electrical connection technology, for multi-pin plug connection

Technical data

**Dimensions**

Download CAD Data → [www.festo.com/us/cad](http://www.festo.com/us/cad)

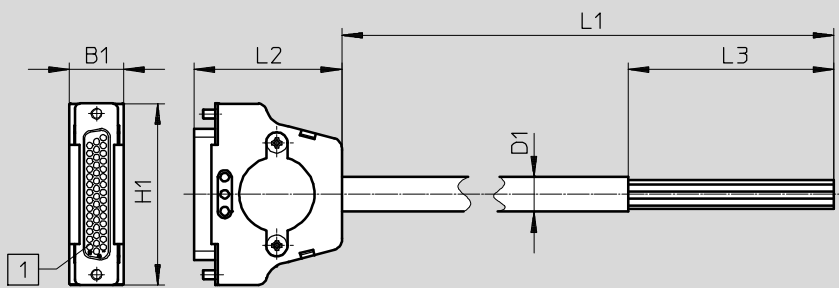


1 Sub-D socket, 44-pin, straight

Type	B1	D1 Ø	D2 Ø	H1	L1	L2
NEBV-S1G44-K-2.5-N-LE39	22	9.5	26	62.8	85±0.5	2,500
NEBV-S1G44-K-5-N-LE39						5,000
NEBV-S1G44-K-10-N-LE39						10,000

**Dimensions**

Download CAD Data → [www.festo.com/us/cad](http://www.festo.com/us/cad)

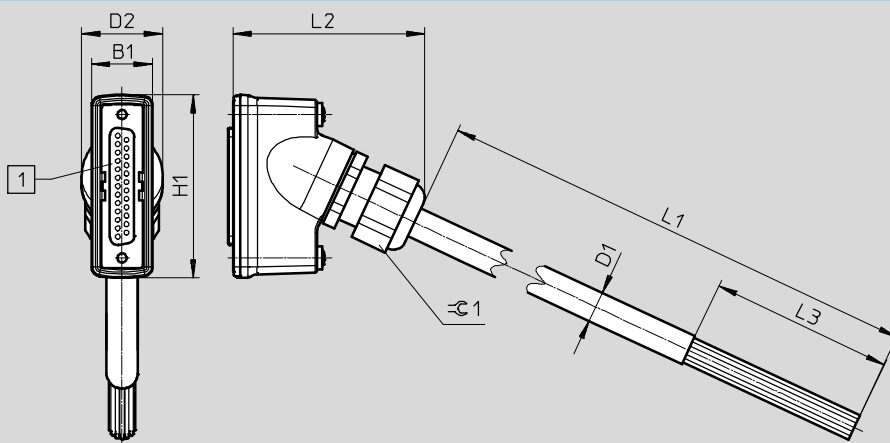


1 Sub-D socket, 44-pin, straight

Type	B1	D1 Ø	H1	L1	L2	L3
NEBV-S1G44-K-2.5-N-LE44-S6	15.8	10.2	53	2,500	43.1	60
NEBV-S1G44-K-5-N-LE44-S6				5,000		
NEBV-S1G44-K-10-N-LE44-S6				10,000		

**Dimensions**

Download CAD Data → [www.festo.com/us/cad](http://www.festo.com/us/cad)



1 Sub-D socket, 44-pin, angled

Type	B1	D1 Ø	D2 Ø	H1	L1	L2	L3	∅1
NEBV-S1WA44-K-2.5-N-LE44-S9	20	10.2	26.5	60	2,500	60	60	24
NEBV-S1WA44-K-5-N-LE44-S9					5,000			
NEBV-S1WA44-K-10-N-LE44-S9					10,000			

# Electrical connection technology, for multi-pin plug connection

Technical data

Circuitry (socket view)						
NEBV- ... -LE39						
		Pin	Wire colour <sup>1)</sup> Connecting cable		Pin	Wire colour <sup>1)</sup> Connecting cable
	1	WH		23	WH RD	
	2	BN		24	BN RD	
	3	GN		25	WH BK	
	4	YE		26	BN BK	
	5	GY		27	GY GN	
	6	PK		28	YE GY	
	7	BU		29	PK GN	
	8	RD		30	YE PK	
	9	BK		31	GN BU	
	10	VT		32	YE BU	
	11	GY PK		33	GN RD	
	12	RD BU		34	YE RD	
	13	WH GN		35	GN BK	
	14	BN GN		36	-	
	15	WH YE		37	-	
	16	YE BN		38	-	
	17	WH GY		39	-	
	18	GY BN		40	-	
	19	WH PK		41	YE BK	
	20	PK BN		42	GY BU	
	21	WH BU		43	PK BU	
	22	BN BU		44	GY RD	

1) To IEC 757

Circuitry (socket view)						
NEBV-...-LE44						
		Pin	Wire colour <sup>1)</sup> Connecting cable		Pin	Wire colour <sup>1)</sup> Connecting cable
	1	WH		23	WH RD	
	2	BN		24	BN RD	
	3	GN		25	WH BK	
	4	YE		26	BN BK	
	5	GY		27	GY GN	
	6	PK		28	YE GY	
	7	BU		29	PK GN	
	8	RD		30	YE PK	
	9	BK		31	GN BU	
	10	VT		32	YE BU	
	11	GY PK		33	GN RD	
	12	RD BU		34	YE RD	
	13	WH GN		35	GN BK	
	14	BN GN		36	YE BK	
	15	WH YE		37	GY BU	
	16	YE BN		38	PK BU	
	17	WH GY		39	GY RD	
	18	GY BN		40	PK RD	
	19	WH PK		41	GY BK	
	20	PK BN		42	PK BK	
	21	WH BU		43	BU BK	
	22	BN BU		44	RD BK	

1) To IEC 757

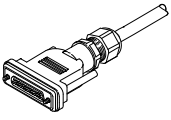
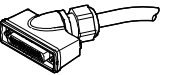
 **New**

NEBV-S1WA  
NEBV-S1G44-...-S6

## Electrical connection technology, for multi-pin plug connection

**FESTO**

Technical data

Ordering data						
	Electrical connection	Cable composition [mm <sup>2</sup> ]	Product weight [g]	Cable length [m]	Part No.	Type
	Straight socket	40x0.14	389	2.5	<b>565289</b>	<b>NEBV-S1G44-K-2.5-N-LE39</b>
			737	5	<b>565290</b>	<b>NEBV-S1G44-K-5-N-LE39</b>
			1,432	10	<b>565291</b>	<b>NEBV-S1G44-K-10-N-LE39</b>
		44x0.14	389	2.5	<b>575113</b>	<b>NEBV-S1G44-K-2.5-N-LE44-S6</b>
			737	5	<b>575114</b>	<b>NEBV-S1G44-K-5-N-LE44-S6</b>
			1,432	10	<b>575115</b>	<b>NEBV-S1G44-K-10-N-LE44-S6</b>
	Angled socket	44x0.14	460	2.5	<b>575420</b>	<b>NEBV-S1WA44-K-2.5-N-LE44-S9</b>
			860	5	<b>575421</b>	<b>NEBV-S1WA44-K-5-N-LE44-S9</b>
			1,660	10	<b>575422</b>	<b>NEBV-S1WA44-K-10-N-LE44-S9</b>

## Product Range and Company Overview

### A Complete Suite and Company Overview

Our experienced engineers provide complete support at every stage of your development process, including: conceptualization, analysis, engineering, design, assembly, documentation, validation, and production.



**Custom Automation Components**  
Complete custom engineered solutions



**Custom Control Cabinets**  
Comprehensive engineering support and on-site services



**Complete Systems**  
Shipment, stocking and storage services

### The Broadest Range of Automation Components

With a comprehensive line of more than 30,000 automation components, Festo is capable of solving the most complex automation requirements.



**Electromechanical**  
Electromechanical actuators, motors, controllers & drivers



**Pneumatics**  
Pneumatic linear and rotary actuators, valves, and air supply



**PLCs and I/O Devices**  
PLC's, operator interfaces, sensors and I/O devices

### Supporting Advanced Automation... As No One Else Can!

Festo is a leading global manufacturer of pneumatic and electromechanical systems, components and controls for industrial automation, with more than 16,000 employees in 60 national headquarters serving more than 180 countries. For more than 80 years, Festo has continuously elevated the state of manufacturing with innovations and optimized motion control solutions that deliver higher performing, more profitable automated manufacturing and processing equipment. Our dedication to the advancement of automation extends beyond technology to the education and development of current and future automation and robotics designers with simulation tools, teaching programs, and on-site services.

### Quality Assurance, ISO 9001 and ISO 14001 Certifications

Festo Corporation is committed to supply all Festo products and services that will meet or exceed our customers' requirements in product quality, delivery, customer service and satisfaction.

To meet this commitment, we strive to ensure a consistent, integrated, and systematic approach to management that will meet or exceed the requirements of the ISO 9001 standard for Quality Management and the ISO 14001 standard for Environmental Management.

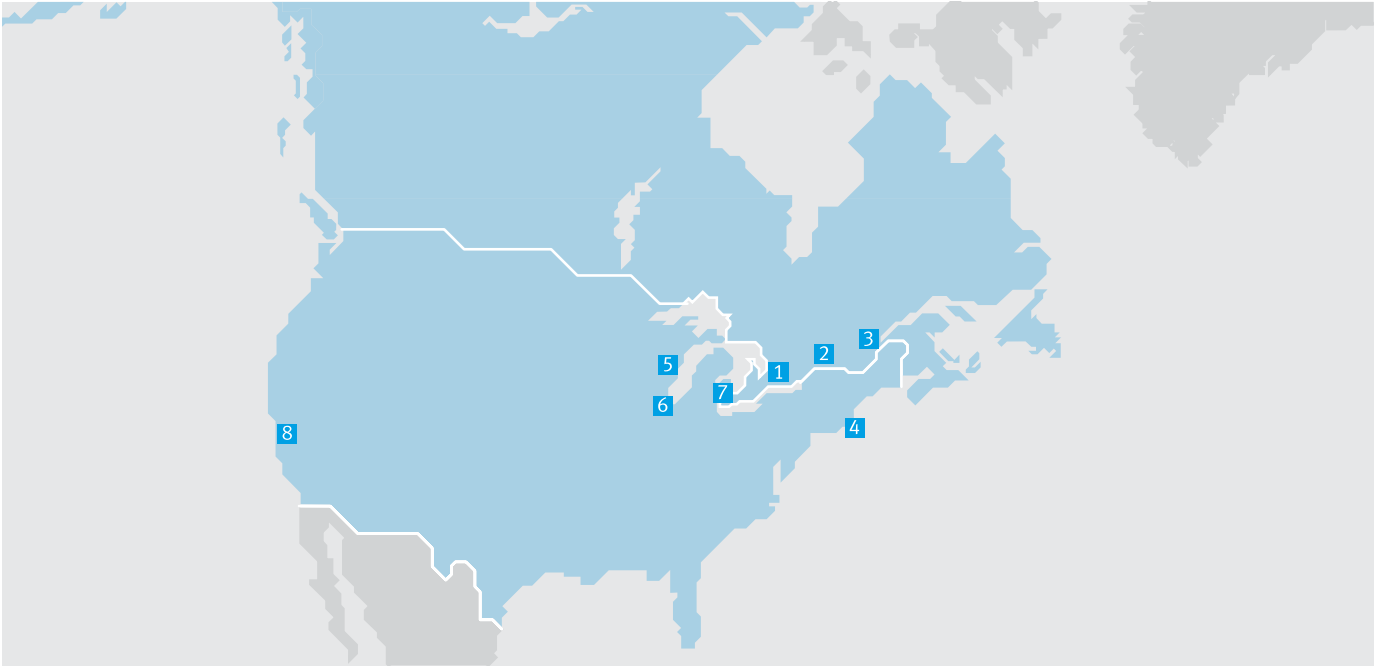


© Copyright 2013, Festo Corporation. While every effort is made to ensure that all dimensions and specifications are correct, Festo cannot guarantee that publications are completely free of any error, in particular typing or printing errors. Accordingly, Festo cannot be held responsible for the same. For Liability and Warranty conditions, refer to our "Terms and Conditions of Sale", available from your local Festo office. All rights reserved. No part of this publication may be reproduced, distributed, or transmitted in any form or by any means, electronic, mechanical, photocopying or otherwise, without the prior written permission of Festo. All technical data subject to change according to technical update.



Printed on recycled paper at New Horizon Graphic, Inc., FSC certified as an environmental friendly printing plant.

# Festo North America



**1 Festo Canada Headquarters**  
**Festo Inc.**  
 5300 Explorer Drive  
 Mississauga, ON  
 L4W 5G4

**2 Montréal**  
 5600, Trans-Canada  
 Pointe-Claire, QC  
 H9R 1B6

**3 Québec City**  
 2930, rue Watt#117  
 Québec, QC  
 G1X 4G3



**4 Festo United States Headquarters**  
**Festo Corporation**  
 395 Moreland Road  
 Hauppauge, NY  
 11788

**5 Appleton**  
 North 922 Tower View Drive, Suite N  
 Greenville, WI  
 54942

**7 Detroit**  
 1441 West Long Lake Road  
 Troy, MI  
 48098

**6 Chicago**  
 85 W Algonquin - Suite 340  
 Arlington Heights, IL  
 60005

**8 Silicon Valley**  
 4935 Southfront Road, Suite F  
 Livermore, CA  
 94550

## Festo Regional Contact Center

### Canadian Customers

Commercial Support:  
 Tel: 1 877 GO FESTO (1 877 463 3786)  
 Fax: 1 877 FX FESTO (1 877 393 3786)  
 Email: festo.canada@ca.festo.com

Technical Support:  
 Tel: 1 866 GO FESTO (1 866 463 3786)  
 Fax: 1 877 FX FESTO (1 877 393 3786)  
 Email: technical.support@ca.festo.com

### USA Customers

Commercial Support:  
 Tel: 1 800 99 FESTO (1 800 993 3786)  
 Fax: 1 800 96 FESTO (1 800 963 3786)  
 Email: customer.service@us.festo.com

Technical Support:  
 Tel: 1 866 GO FESTO (1 866 463 3786)  
 Fax: 1 800 96 FESTO (1 800 963 3786)  
 Email: product.support@us.festo.com

Subject to change

Internet: [www.festo.com/us](http://www.festo.com/us)