

Electrical connection technology, for multi-pin plug connection

Technical data

Connecting cable
NEBV-S1G25
NEBV-S1WA25

- Connecting cable for multi-pin plug connection
- Pre-assembled
- Straight or angled socket
- Cable lengths 2.5 m, 5 m or 10 m
- 15 or 25 wires
- Sub-D



General technical data				
Type	S1G25-...-LE15	S1G25-...-LE25	S1G25-...-LE 25-S6	S1WA25-...-LE 25-S9
Type of mounting	4-40UNC	4-40UNC	4-40UNC	4-40UNC
Nominal operating voltage [V DC]	24	24	≤30	≤30
Acceptable current load at 40 °C [A]	–	–	2.6	2.6
Electrical connection	Socket, Sub-D, 15-pin	Socket, Sub-D, 25-pin	Socket, Sub-D, 25-pin	Socket, Sub-D, 25-pin
Cable diameter Ø [mm]	9	10.5	10.2±0.25	10.2±0.25
Min. cable bending radius [mm]	90	105	122	122
Mounting position	–	–	Any	Any
Cable characteristics	Standard	Standard	For static applications	For static applications
Degree of protection to EN 60529 (in assembled state)	–	–	IP40	IP65, IP67

Materials				
Type	S1G25-...-LE15	S1G25-...-LE25	S1G25-...-LE 25-S6	S1WA25-...-LE 25-S9
Housing	PBT	PBT	Reinforced PC	Reinforced PA
Union nut	PA	PA	–	–
Seals	TPE-O	TPE-O	–	–
Cable sheath	PVC	PVC	PVC	PVC
Pin contacts	–	–	Gold-plated bronze	Gold-plated bronze

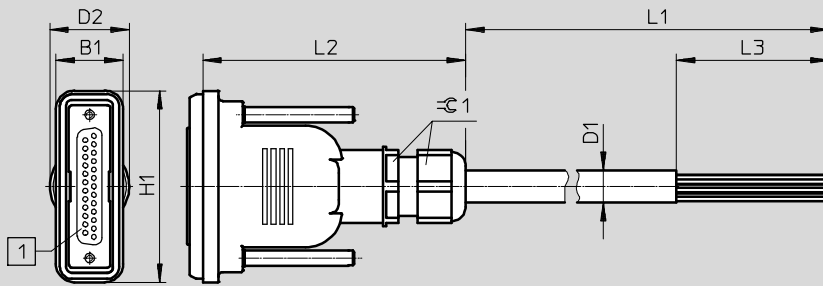
Operating and environmental conditions				
Type	S1G25-...-LE15	S1G25-...-LE25	S1G25-...-LE 25-S6	S1WA25-...-LE 25-S9
Ambient temperature [°C]	–	–	–5 ... +80	–5 ... +80
Ambient temperature for flexible cable installation [°C]	–5 ... +50	–5 ... +50	–	–
Degree of contamination	–	–	2	3
Note on materials	RoHS-compliant	RoHS-compliant	RoHS-compliant	RoHS-compliant

Electrical connection technology, for multi-pin plug connection

Technical data

Dimensions

Download CAD Data → www.festo.com/us/cad

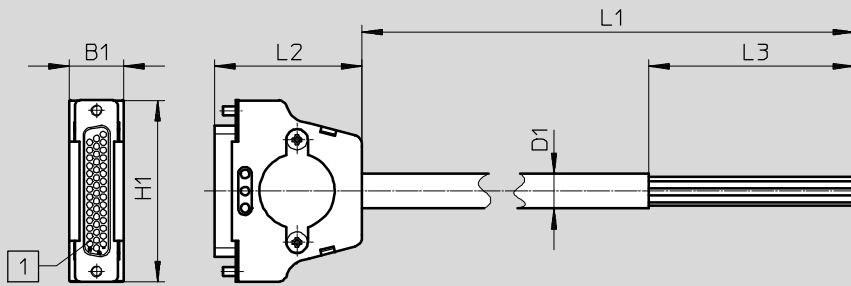


1 Sub-D socket, straight
(...-LE15 – 15-pin,
...-LE25 – 25-pin)

Type	B1	D1 ∅	D2 ∅	H1	L1	L2	L3	≙C1
NEBV-S1G25-K-2,5-N-LE15	22	9	26	62.8	2,500	86±0.5	60	24
NEBV-S1G25-K-5-N-LE15					5,000			
NEBV-S1G25-K-10-N-LE15					10,000			
NEBV-S1G25-K-2.5-N-LE25	22	10.4	26	62.8	2,500	86±0.5	50	24
NEBV-S1G25-K-5-N-LE25					5,000			
NEBV-S1G25-K-10-N-LE25					10,000			

Dimensions

Download CAD Data → www.festo.com/us/cad



1 Sub-D socket, 25-pin, straight

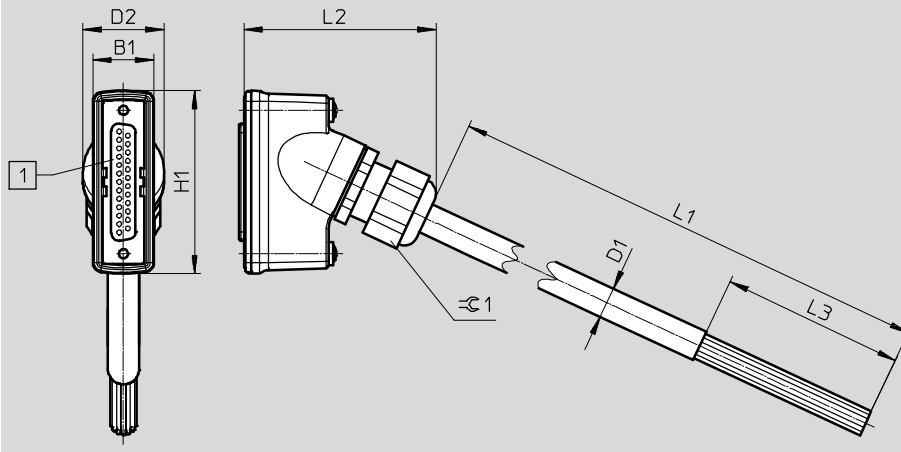
Type	B1	D1 ∅	H1	L1	L2	L3
NEBV-S1G25-K-2.5-N-LE25-S6	15.8	10.2	53	2,500	43.1	60
NEBV-S1G25-K-5-N-LE25-S6				5,000		
NEBV-S1G25-K-10-N-LE25-S6				10,000		

Electrical connection technology, for multi-pin plug connection

Technical data

Dimensions

Download CAD Data → www.festo.com/us/cad



1 Sub-D socket, 25-pin, angled

Type	B1	D1 ∅	D2 ∅	H1	L1	L2	L3	$\approx C1$
NEBV-S1WA25-K-2.5-N-LE25-S9	20	10.2	26.5	60	2,500	60	60	24
NEBV-S1WA25-K-5-N-LE25-S9					5,000			
NEBV-S1WA25-K-10-N-LE25-S9					10,000			

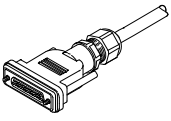
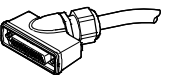
Circuitry (socket view)

	NEBV- ... -LE15		NEBV- ... -LE25	
	Pin	Wire colour ¹⁾	Pin	Wire colour ¹⁾
	1	WH	1	WH
	2	BN	2	BN
	3	GN	3	GN
	4	YE	4	YE
	5	GY	5	GY
	6	PK	6	PK
	7	BU	7	BU
	8	RD	8	RD
	9	BK	9	BK
	10	VT	10	VT
	11	GY PK	11	GY PK
	12	RD BU	12	RD BU
	13	-	13	GN WH
	14	-	14	BN GN
	15	-	15	YE WH
	16	-	16	BN YE
	17	-	17	GY WH
	18	-	18	BN GY
	19	-	19	WH PK
	20	-	20	BN PK
	21	-	21	BU WH
	22	-	22	BN BU
	23	GN WH	23	RD WH
	24	BN GN	24	BN RD
	25	YE WH	25	BK WH

1) To IEC 757

Electrical connection technology, for multi-pin plug connection

Technical data

Ordering data						
	Electrical connection	Cable composition [mm ²]	Product weight [g]	Cable length [m]	Part No.	Type
	Straight socket	15x0.34	370	2.5	538222	NEBV-S1G25-K-2.5-N-LE15
			670	5	538223	NEBV-S1G25-K-5-N-LE15
			1,270	10	538224	NEBV-S1G25-K-10-N-LE15
		20x0.25 + 5x0.34	490	2.5	538225	NEBV-S1G25-K-2.5-N-LE25
			910	5	538226	NEBV-S1G25-K-5-N-LE25
			1,750	10	538227	NEBV-S1G25-K-10-N-LE25
		25x0.34	429	2.5	575417	NEBV-S1G25-K-2.5-N-LE25-S6
			777	5	575418	NEBV-S1G25-K-5-N-LE25-S6
			1,572	10	575419	NEBV-S1G25-K-10-N-LE25-S6
	Angled socket	25x0.34	500	2.5	575423	NEBV-S1WA25-K-2.5-N-LE25-S9
			900	5	575424	NEBV-S1WA25-K-5-N-LE25-S9
			1,800	10	575425	NEBV-S1WA25-K-10-N-LE25-S9

Product Range and Company Overview

A Complete Suite and Company Overview

Our experienced engineers provide complete support at every stage of your development process, including: conceptualization, analysis, engineering, design, assembly, documentation, validation, and production.



Custom Automation Components
Complete custom engineered solutions



Custom Control Cabinets
Comprehensive engineering support and on-site services



Complete Systems
Shipment, stocking and storage services

The Broadest Range of Automation Components

With a comprehensive line of more than 30,000 automation components, Festo is capable of solving the most complex automation requirements.



Electromechanical
Electromechanical actuators, motors, controllers & drivers



Pneumatics
Pneumatic linear and rotary actuators, valves, and air supply



PLCs and I/O Devices
PLC's, operator interfaces, sensors and I/O devices

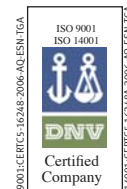
Supporting Advanced Automation... As No One Else Can!

Festo is a leading global manufacturer of pneumatic and electromechanical systems, components and controls for industrial automation, with more than 16,000 employees in 60 national headquarters serving more than 180 countries. For more than 80 years, Festo has continuously elevated the state of manufacturing with innovations and optimized motion control solutions that deliver higher performing, more profitable automated manufacturing and processing equipment. Our dedication to the advancement of automation extends beyond technology to the education and development of current and future automation and robotics designers with simulation tools, teaching programs, and on-site services.

Quality Assurance, ISO 9001 and ISO 14001 Certifications

Festo Corporation is committed to supply all Festo products and services that will meet or exceed our customers' requirements in product quality, delivery, customer service and satisfaction.

To meet this commitment, we strive to ensure a consistent, integrated, and systematic approach to management that will meet or exceed the requirements of the ISO 9001 standard for Quality Management and the ISO 14001 standard for Environmental Management.



© Copyright 2013, Festo Corporation. While every effort is made to ensure that all dimensions and specifications are correct, Festo cannot guarantee that publications are completely free of any error, in particular typing or printing errors. Accordingly, Festo cannot be held responsible for the same. For Liability and Warranty conditions, refer to our "Terms and Conditions of Sale", available from your local Festo office. All rights reserved. No part of this publication may be reproduced, distributed, or transmitted in any form or by any means, electronic, mechanical, photocopying or otherwise, without the prior written permission of Festo. All technical data subject to change according to technical update.



Printed on recycled paper at New Horizon Graphic, Inc., FSC certified as an environmental friendly printing plant.

Festo North America



1 Festo Canada Headquarters
Festo Inc.
 5300 Explorer Drive
 Mississauga, ON
 L4W 5G4

2 Montréal
 5600, Trans-Canada
 Pointe-Claire, QC
 H9R 1B6

3 Québec City
 2930, rue Watt#117
 Québec, QC
 G1X 4G3



4 Festo United States Headquarters
Festo Corporation
 395 Moreland Road
 Hauppauge, NY
 11788

5 Appleton
 North 922 Tower View Drive, Suite N
 Greenville, WI
 54942

7 Detroit
 1441 West Long Lake Road
 Troy, MI
 48098

6 Chicago
 85 W Algonquin - Suite 340
 Arlington Heights, IL
 60005

8 Silicon Valley
 4935 Southfront Road, Suite F
 Livermore, CA
 94550

Festo Regional Contact Center

Canadian Customers

Commercial Support:
 Tel: 1 877 GO FESTO (1 877 463 3786)
 Fax: 1 877 FX FESTO (1 877 393 3786)
 Email: festo.canada@ca.festo.com

Technical Support:
 Tel: 1 866 GO FESTO (1 866 463 3786)
 Fax: 1 877 FX FESTO (1 877 393 3786)
 Email: technical.support@ca.festo.com

USA Customers

Commercial Support:
 Tel: 1 800 99 FESTO (1 800 993 3786)
 Fax: 1 800 96 FESTO (1 800 963 3786)
 Email: customer.service@us.festo.com

Technical Support:
 Tel: 1 866 GO FESTO (1 866 463 3786)
 Fax: 1 800 96 FESTO (1 800 963 3786)
 Email: product.support@us.festo.com

Subject to change

Internet: www.festo.com/us