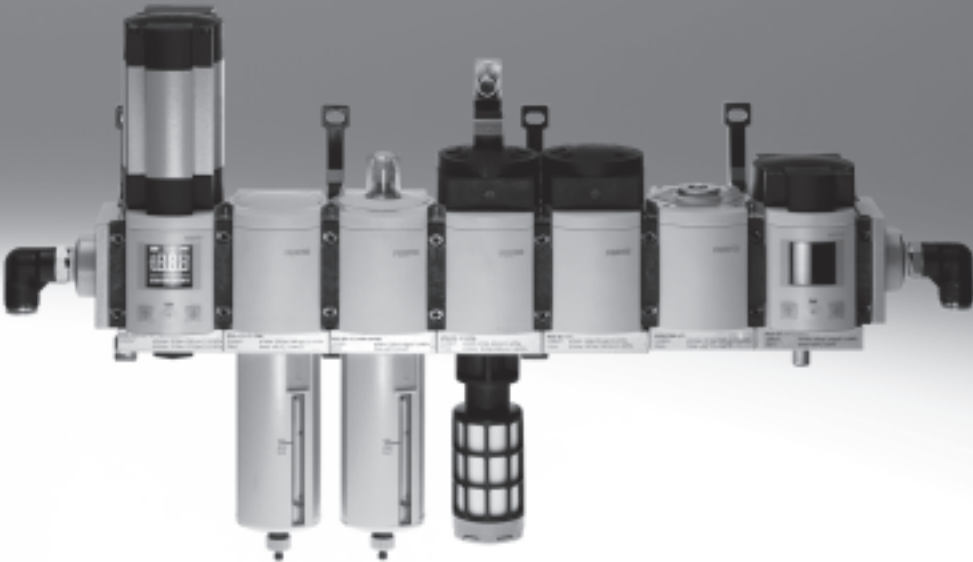


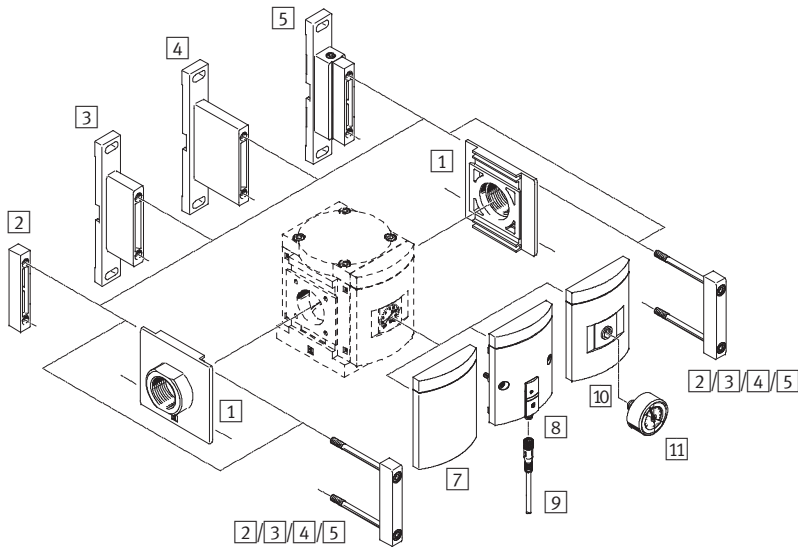
Pressure regulators MS-LR, MS series, NPT



Pressure regulators MS9-LR, MS series, NPT

Peripherals overview

Pressure regulator MS9-LR



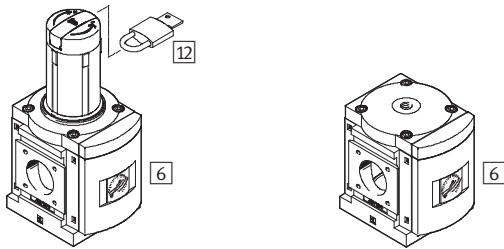
Note

Additional accessories:

- Module connector for combinations with size MS6, MS9 or MS12 → Internet: rmv, armv

manually operated

pneumatically actuated



Mounting attachments and accessories

| | Individual unit | | | Combination Module without connecting thread, without connecting plate NG | → Page/ Internet |
|----|--|-----------------------------|---|--|---------------------|
| | With female thread N $\frac{3}{4}$ or N1 | With connecting plate AQ... | | | |
| 1 | Connecting plate MS9-AQ... | - | ■ | ■ | ms9-aq |
| 2 | Module connector MS9-MV | - | - | ■ | ms9-mv |
| 3 | Mounting bracket MS9-WP | ■ | ■ | ■ | ms9-wp |
| 4 | Mounting bracket MS9-WPB | ■ | ■ | ■ | ms9-wp |
| 5 | Mounting bracket MS9-WPM | ■ | ■ | ■ | ms9-wp |
| 6 | MS pressure gauge AG | ■ | ■ | ■ | 10 |
| 7 | Cover plate VS | ■ | ■ | ■ | 10 |
| 8 | Pressure sensor without display AD7 ... AD10 | ■ | ■ | ■ | 10 |
| 9 | Connecting cable NEBU-M8...-LE3 | ■ | ■ | ■ | 12 |
| 10 | Adapter plate for EN pressure gauge $\frac{1}{4}$ A4 | ■ | ■ | ■ | 10 |
| 11 | Pressure gauge MA | ■ | ■ | ■ | 12 |
| 12 | Padlock LRVS-D | ■ | ■ | ■ | 12 |

Pressure regulators MS9-LR, MS series, NPT

Type codes

| | | MS | 9 | - | LR | - | NG | - | D5 | - | DI | - | AG | - | PSI | - | AS | |
|--|--|----|---|---|----|---|----|---|----|---|----|---|----|---|-----|---|----|--|
| Series | | | | | | | | | | | | | | | | | | |
| MS | Standard service unit | | | | | | | | | | | | | | | | | |
| Size | | | | | | | | | | | | | | | | | | |
| 9 | Grid dimension 90 mm | | | | | | | | | | | | | | | | | |
| Service function | | | | | | | | | | | | | | | | | | |
| LR | Pressure regulator | | | | | | | | | | | | | | | | | |
| Connection size | | | | | | | | | | | | | | | | | | |
| NG | Module without connecting thread, without connecting plate | | | | | | | | | | | | | | | | | |
| Pressure regulation range/operation | | | | | | | | | | | | | | | | | | |
| D5 | 0.5 ... 4 bar, manually operated | | | | | | | | | | | | | | | | | |
| D6 | 0.5 ... 7 bar, manually operated | | | | | | | | | | | | | | | | | |
| Alternative actuation principle | | | | | | | | | | | | | | | | | | |
| | Piloted | | | | | | | | | | | | | | | | | |
| DI | Directly actuated | | | | | | | | | | | | | | | | | |
| Pressure gauge | | | | | | | | | | | | | | | | | | |
| AG | MS pressure gauge | | | | | | | | | | | | | | | | | |
| Pressure gauge scale | | | | | | | | | | | | | | | | | | |
| PSI | Psi | | | | | | | | | | | | | | | | | |
| Security | | | | | | | | | | | | | | | | | | |
| AS | Rotary knob with detent, can be locked using accessories | | | | | | | | | | | | | | | | | |

Additional variants can be ordered using the modular product system → 10

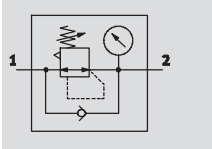
- Connecting plates
- Pressure regulation range/operation
- Pressure gauge alternatives
- Alternative pressure gauge scale
- Secondary venting
- Security lock
- Type of mounting
- UL certification
- Alternative flow direction

Pressure regulators MS9-LR, MS series, NPT

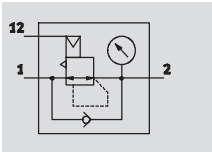
Technical data

FESTO

Pressure regulation range/operation
D5/D6/D7/D8, manually operated



P0, pneumatically actuated



Flow rate
6,500 ... 33,000 l/min

Temperature range
-10 ... +60 °C

Pressure
1 ... 20 bar



The pressure regulator maintains an essentially constant output pressure p2 independent of pressure fluctuations in the system and air consumption. The output pressure p2 can be set within the pressure regulation range either manually

using the rotary knob or pneumatically via a pilot pressure p12 by an external pilot regulator. When switching off the operating pressure, the output pressure p2 is vented via connection 3 (secondary venting).

- Good regulation characteristics with low hysteresis and primary pressure compensation
- High flow rate with minimal pressure drop
- Piloted or directly actuated diaphragm regulator
- Four pressure regulation ranges: 0.5 ... 4 bar, 0.5 ... 7 bar, 0.5 ... 12 bar and 0.5 ... 16 bar
- Available with or without secondary venting
- Actuator lock to protect set values against adjustment
- Return flow option for exhausting from output port 2 to output port 1 already integrated
- Optional pressure sensor

| General technical data | |
|---|--|
| Pneumatic connection 1, 2 | NPT3/4-14 NPT1-11 1/2 NPT1/2-14 ... NPT1 1/2-11 1/2 (with connecting plate AQ...) – (without connecting thread NG) |
| Pilot air connection 12 with pressure regulation range/operation P0 | G1/4 |
| Design | Piloted diaphragm regulator Directly actuated diaphragm regulator |
| Regulator type | Piloted Output pressure constant, with return flow action, with primary pressure compensation, with secondary venting Directly actuated Output pressure constant, with return flow action, with/without secondary venting |
| Type of mounting | Via accessories In-line installation Front panel mounting |
| Mounting position | Any ¹⁾ |
| Actuation security | Rotary knob with detent Rotary knob with detent, can be locked using accessories Rotary knob with integrated lock |
| Pressure regulation range/operation | D5 [bar] 0.5 ... 4, manually operated D6 [bar] 0.5 ... 7, manually operated D7 [bar] 0.5 ... 12, manually operated (0.5 ... 10 with pressure sensor variant AD...) D8 [bar] 0.5 ... 16, manually operated (0.5 ... 10 with pressure sensor variant AD...) P0 [bar] 0.5 ... 16, pneumatically actuated ²⁾ |
| Max. pressure hysteresis [bar] | 0.4 |
| Pressure display | Via pressure sensor for displaying output pressure via operational status indicator and electrical output Via pressure gauge for displaying output pressure Via pressure gauge with red/green scale for displaying output pressure G1/4 prepared |

1) The pressure regulator must be mounted vertically when combined with a pressure sensor as condensate must not collect in the pressure sensor.
2) Output pressure p2 corresponds roughly to the applied pilot pressure p12.

Pressure regulators MS9-LR, MS series, NPT

Technical data

FESTO

| Standard nominal flow rate $q_{nN}^{1)}$ [l/min] | | | | | |
|--|----|-----------------------------|------------------------|--|------------------------|
| Design | | Piloted diaphragm regulator | | Directly actuated diaphragm regulator DI | |
| Pneumatic connection | | NPT $\frac{3}{4}$ -14 | NPT1-11 $\frac{1}{2}$ | NPT $\frac{3}{4}$ -14 | NPT1-11 $\frac{1}{2}$ |
| Pressure regulation range | D5 | 24,000 $\pm 15\%^{2)}$ | 33,000 $\pm 15\%^{2)}$ | 6,500 $\pm 15\%^{2)}$ | 18,500 $\pm 15\%^{2)}$ |
| | D6 | 24,000 $\pm 15\%$ | 28,000 $\pm 15\%$ | 8,000 $\pm 15\%$ | 9,000 $\pm 15\%$ |
| | D7 | 24,000 $\pm 15\%$ | 28,000 $\pm 15\%$ | – | – |
| | D8 | 20,000 $\pm 15\%$ | 28,000 $\pm 15\%$ | – | – |
| | PO | 23,000 $\pm 15\%$ | 29,000 $\pm 15\%$ | – | – |

1) Measured at $p_1 = 10$ bar and $p_2 = 6$ bar, $\Delta p = 1$ bar

2) Measured at $p_1 = 10$ bar and $p_2 = 4$ bar, $\Delta p = 1$ bar

| Operating and environmental conditions | | |
|--|--|-----------------------|
| Variant | Standard | Pressure sensor AD... |
| Supply pressure [bar] | 1 ... 20 | 1 ... 20 |
| Operating medium | Compressed air in accordance with ISO 8573-1:2010 [7:4:4] | |
| Note on operating/pilot medium | Operation with lubricated medium possible (in which case lubricated operation will always be required) | |
| Ambient temperature [°C] | -10 ... +60 | 0 ... +50 |
| Temperature of medium [°C] | -10 ... +60 | 0 ... +50 |
| Storage temperature [°C] | -10 ... +60 | -10 ... +60 |
| Corrosion resistance class CRC ¹⁾ | 2 | |
| Certification (variant UL1) | cULus recognized (OL) | |

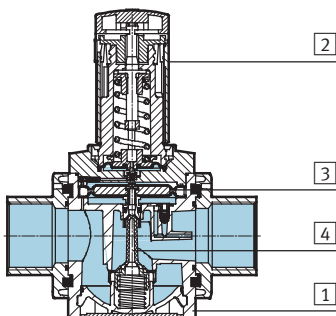
1) Corrosion resistance class 2 according to Festo standard 940 070

Components subject to moderate corrosion stress. Externally visible parts with primarily decorative surface requirements which are in direct contact with a normal industrial environment or media such as coolants or lubricating agents.

| Weight [g] | |
|--|-------|
| Pressure regulator | 1,400 |
| Pressure regulator with rotary knob with integrated lock E11 | 1,700 |

Materials

Sectional view



| Pressure regulator | | |
|--------------------|--|-----------------------------------|
| 1 | Housing | Die-cast aluminium |
| 2 | Rotary knob | PA |
| | Rotary knob with integrated lock E11 | Aluminium |
| 3 | Diaphragm | NBR |
| 4 | Valve stem | Wrought aluminium alloy, NBR, POM |
| – | Cover | PA reinforced |
| – | Connecting plate, module connector, mounting bracket | Die-cast aluminium |
| – | Seals | NBR |
| Note on materials | | RoHS-compliant |

Pressure regulators MS9-LR, MS series, NPT

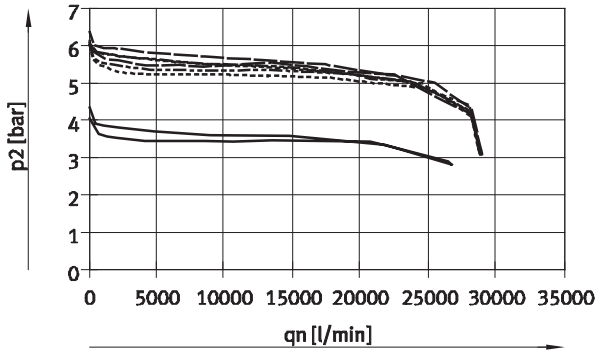
Technical data

FESTO

Standard flow rate q_n as a function of output pressure p_2 at operating pressure $p_1 = 10$ bar

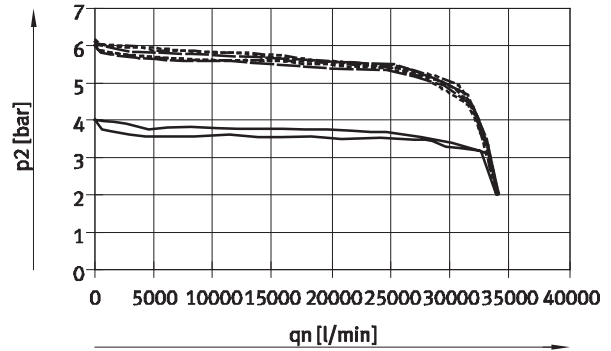
Piloted diaphragm regulator

Pneumatic connection NPT $\frac{3}{4}$ -14



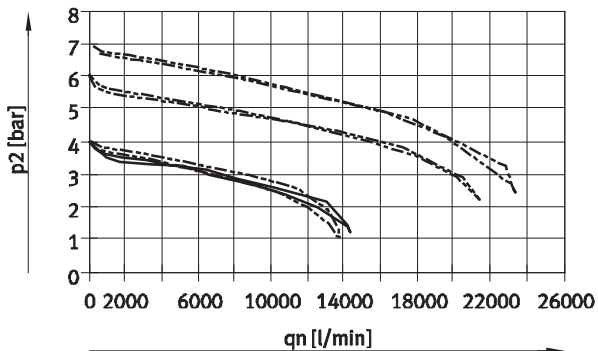
— D5: 0.5 ... 4 bar - · - · D7: 0.5 ... 12 bar
- - - D6: 0.5 ... 7 bar · · · · D8: 0.5 ... 16 bar

Pneumatic connection NPT1-11 $\frac{1}{2}$



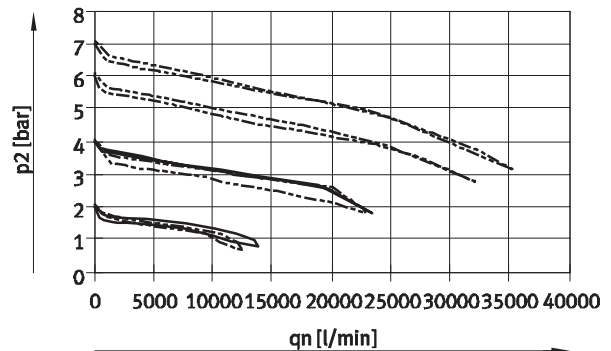
Directly actuated diaphragm regulator DI

Pneumatic connection NPT $\frac{3}{4}$ -14



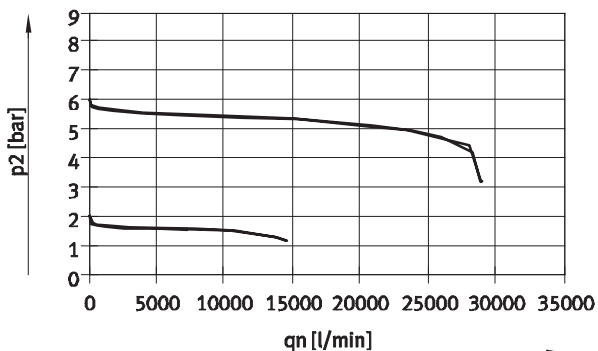
— D5: 0.5 ... 4 bar
- - - D6: 0.5 ... 7 bar

Pneumatic connection NPT1-11 $\frac{1}{2}$

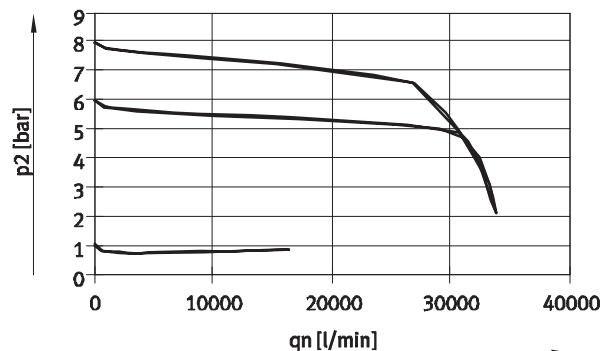


External pilot regulator, pressure regulation range/operation PO

Pneumatic connection NPT $\frac{3}{4}$ -14



Pneumatic connection NPT1-11 $\frac{1}{2}$



Pressure regulators MS9-LR, MS series, NPT

Technical data

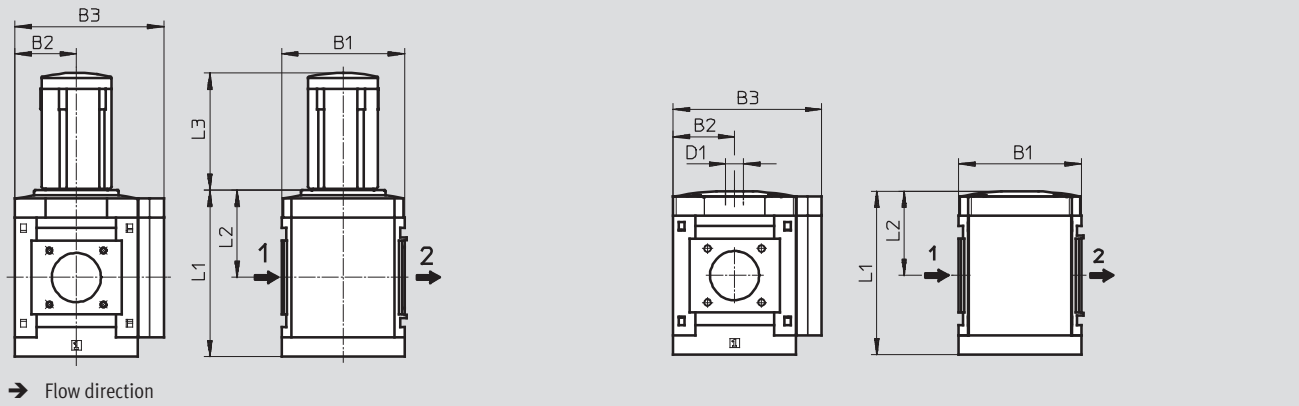
FESTO

Dimensions – Basic version

Download CAD Data → www.festo.com/us/cad

Pressure regulation range/operation D5/D6/D7/D8, manually operated, without connecting thread NG, cover plate VS, rotary knob with detent

Pressure regulation range/operation PO, pneumatically actuated, without connecting thread NG, cover plate VS



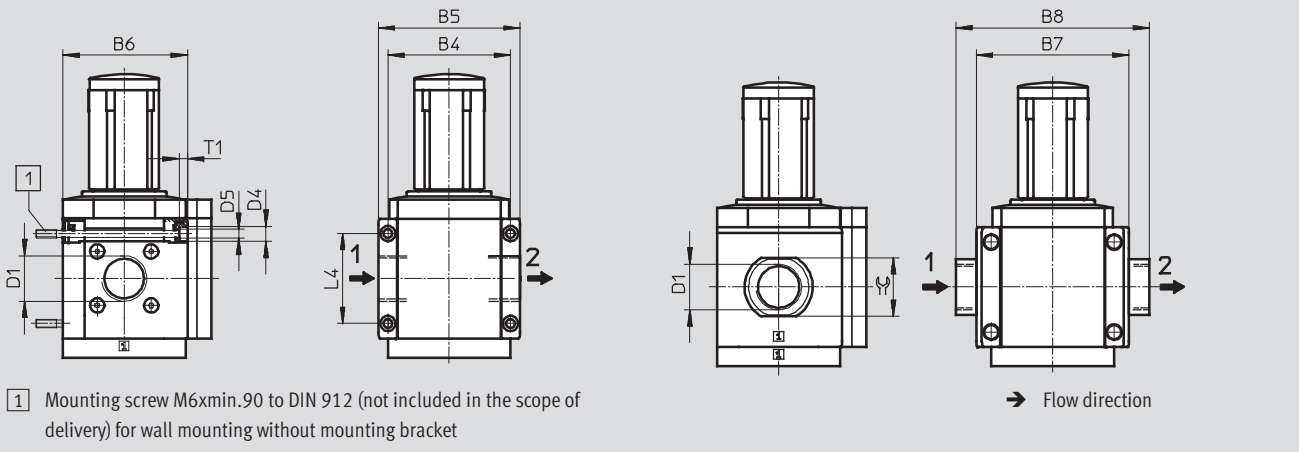
| Type | B1 | B2 | B3 | D1 | L1 | | L2 | | L3 |
|-----------------------|----|----|-----|-----------------|---------|----------------------|---------|----------------------|----|
| | | | | | Piloted | Directly actuated DI | Piloted | Directly actuated DI | |
| MS9-LR-NG-D5/D6/D7/D8 | 90 | 45 | 109 | – | 129 | 122 | 71.4 | 64 | 86 |
| MS9-LR-NG-PO | | | | G $\frac{1}{4}$ | 120 | – | 62 | – | – |

Dimensions – Connecting thread/connecting plate

Download CAD Data → www.festo.com/us/cad

With connecting thread N $\frac{3}{4}$ or N1

With connecting plate AQ...



| Type | B4 | B5 | B6 | B7 | B8 | D1 | D4 | D5 | L4 | T1 | ≅ | |
|------------------------|----|-----|------|-----|-----|--------------------------------------|----|-----|----|----|--------------------------------------|----|
| MS9-LR-N $\frac{3}{4}$ | 90 | 104 | 91.5 | – | – | NPT $\frac{3}{4}$ -14 | 11 | 6.5 | 66 | 6 | – | |
| MS9-LR-N1 | | | | | | NPT1-11 $\frac{1}{2}$ | | | | | | |
| MS9-LR-AQR | – | – | – | 112 | 132 | NPT $\frac{1}{2}$ -14 | – | – | – | – | 30 | |
| MS9-LR-AQS | | | | | | NPT $\frac{3}{4}$ -14 | | | | | 36 | |
| MS9-LR-AQT | | | | | | NPT1-11 $\frac{1}{2}$ | | | | | 41 | |
| MS9-LR-AQU | | | | | | NPT1 $\frac{1}{4}$ -11 $\frac{1}{2}$ | | | | | 50 | |
| MS9-LR-AQV | | | | | | 176 | | | | | NPT1 $\frac{1}{2}$ -11 $\frac{1}{2}$ | 55 |
| | | | | | | | | | | | | – |

Pressure regulators MS9-LR, MS series, NPT

Technical data

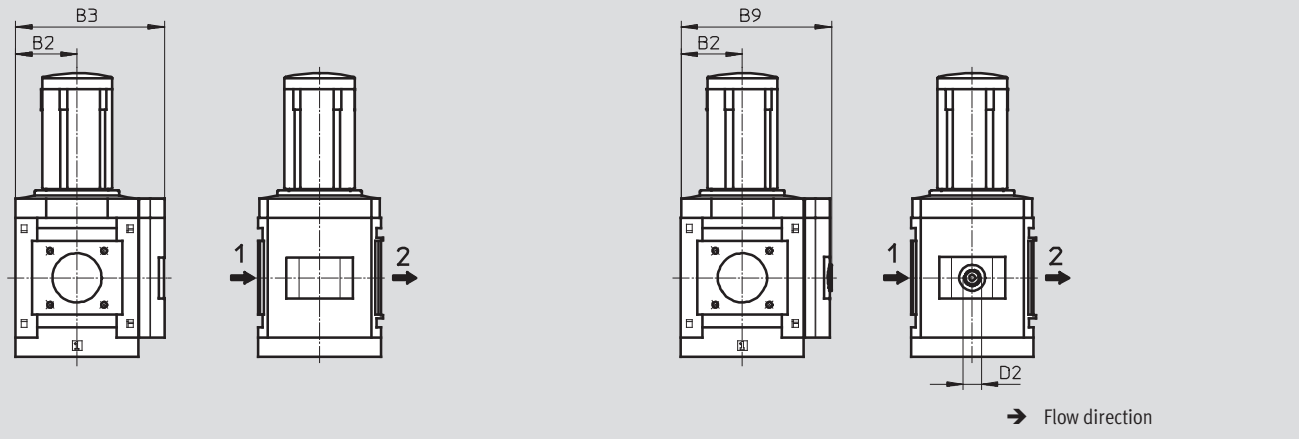
FESTO

Dimensions – Pressure gauge alternatives

Download CAD Data → www.festo.com/us/cad

Integrated MS pressure gauge with standard scale AG or red/green scale RG

Adapter plate A4 for EN pressure gauge 1/4, without pressure gauge



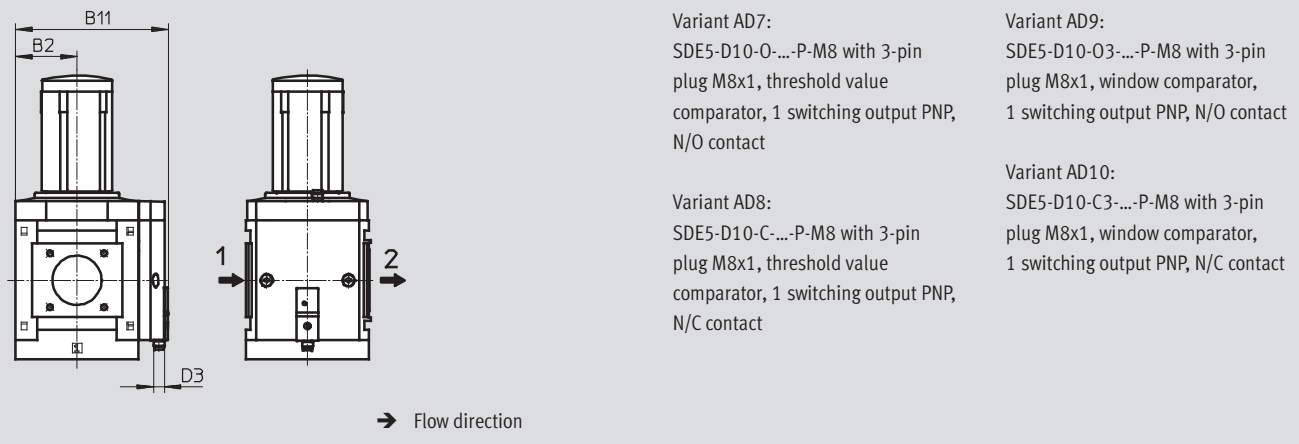
| Type | B2 | B3 | B9 | D2 |
|------------------|----|-----|-----|------|
| MS9-LR-...-AG/RG | 45 | 109 | - | - |
| MS9-LR-...-A4 | | - | 110 | G1/4 |

Dimensions – Pressure gauge alternatives

Download CAD Data → www.festo.com/us/cad

Pressure sensor without LCD display (operational status indicator only) AD7 ... AD10

Technical data → Internet:sde5



| Type | B2 | B11 | D3 |
|-----------------------------|----|-----|----|
| MS9-LR-...-AD7/AD8/AD9/AD10 | 45 | 112 | M8 |

Pressure regulators MS9-LR, MS series, NPT

Technical data

FESTO

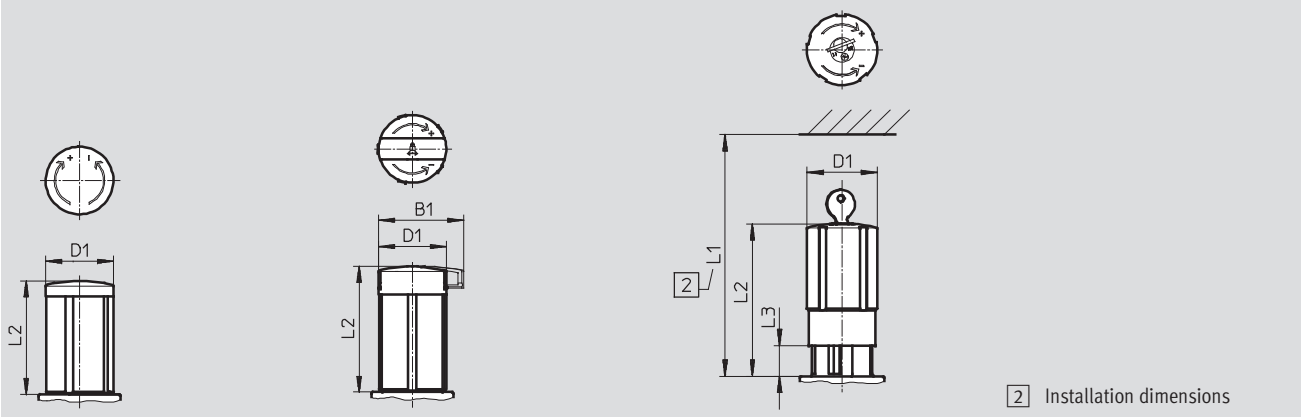
Dimensions – Rotary knob

Download CAD Data → www.festo.com/us/cad

Rotary knob with detent

Rotary knob with detent, can be locked using accessories AS

Rotary knob with integrated lock E11



| Type | B1 | D1 | L1 | L2 | L3 |
|----------------|----|----|-----|-----|----|
| MS9-LR | – | 52 | – | 86 | – |
| MS9-LR-...-AS | 65 | 52 | – | 96 | – |
| MS9-LR-...-E11 | – | 52 | 174 | 114 | 25 |

Ordering data

Integrated pressure gauge, display unit [psi], rotary knob with detent, can be locked using accessories

| Size | Connection | Pressure regulation range 0.5 ... 4 bar, manually actuated | | Pressure regulation range 0.5 ... 7 bar, manually actuated | |
|------|------------|--|------|--|------|
| | | Part No. | Type | Part No. | Type |

Directly actuated diaphragm regulator

| | | | | | |
|-----|---|--------|---------------------------|--------|---------------------------|
| MS9 | – | 564140 | MS9-LR-NG-D5-DI-AG-PSI-AS | 564142 | MS9-LR-NG-D6-DI-AG-PSI-AS |
|-----|---|--------|---------------------------|--------|---------------------------|

Pressure regulators MS9-LR, MS series, NPT

Ordering data – Modular products

| M Mandatory data | | | | | | O Options | M |
|-------------------------|-----------|----------|------------|---|--------------------------|----------------|--|
| Module No. | Series | Size | Function | Connection size | Pressure range/operation | Regulator type | Pressure gauge/pressure gauge alternatives |
| 562530 | MS | 9 | LR | N $\frac{3}{4}$, N1, AQR, AQS, AQT, AQU, AQV, NG | D5, D6, D7, D8, PO | DI | AG, VS, A4, RG, AD7 ... AD10 |
| Ordering example | | | | | | | |
| 562530 | MS | 9 | -LR | -NG | -D5 | | -AG |

| Ordering table | | Grid dimension [mm] | 90 | Conditions | Code | Enter code |
|----------------|--|--|----|------------|------------------|------------|
| M | Module No. | 562530 | | | | |
| | Series | Standard | | | MS | MS |
| | Size | 9 | | | 9 | 9 |
| | Function | Pressure regulator | | | -LR | -LR |
| | Connection size | Thread NPT $\frac{3}{4}$ | | | -N $\frac{3}{4}$ | |
| | | Thread NPT1 | | | -N1 | |
| | | Connecting plate NPT $\frac{1}{2}$ | | | -AQR | |
| | | Connecting plate NPT $\frac{3}{4}$ | | | -AQS | |
| | | Connecting plate NPT1 | | | -AQT | |
| | | Connecting plate NPT1 $\frac{1}{4}$ | | | -AQU | |
| | | Connecting plate NPT1 $\frac{1}{2}$ | | | -AQV | |
| | | Module without connecting thread, without connecting plate | | | -NG | |
| | Pressure range/operation | 0.5 ... 4 bar, manually operated | | | -D5 | |
| | | 0.5 ... 7 bar, manually operated | | | -D6 | |
| | | 0.5 ... 12 bar, manually operated | | | -D7 | |
| | | 0.5 ... 16 bar, manually operated | | | -D8 | |
| | | Max. 16 bar, pneumatically actuated (pressure range defined by means of pilot regulator) | | 1 | -PO | |
| O | Regulator type | Directly actuated | | 2 | -DI | |
| M | Pressure gauge/pressure gauge alternatives | MS pressure gauge | | | -AG | |
| | | Cover plate | | | -VS | |
| | | Adapter plate for EN pressure gauge $\frac{1}{4}$, without pressure gauge | | | -A4 | |
| | | Integrated pressure gauge, red/green scale | | 3 | -RG | |
| | | Pressure sensor without display, plug M8, threshold value comparator, PNP, N/O contact | | 4 | -AD7 | |
| | | Pressure sensor without display, plug M8, threshold value comparator, PNP, N/C contact | | 4 | -AD8 | |
| | | Pressure sensor without display, plug M8, window comparator, PNP, N/O contact | | 4 | -AD9 | |
| | | Pressure sensor without display, plug M8, window comparator, PNP, N/C contact | | 4 | -AD10 | |

1 PO Not with regulator type DI
Not with security AS, E11

2 DI Not with pressure range D7, D8
3 RG Not with alternative pressure gauge scale PSI,
PSI scale serves only as an auxiliary scale
4 AD7 ... AD10 Measuring range max. 10 bar

Transfer order code

562530 MS 9 - LR - - - - -

Pressure regulators MS9-LR, MS series, NPT

FESTO

Ordering data – Modular products

| Options | | | | | | |
|---|--------------------------|--------------------------------------|-----------------|-------------------------|-------------------------|-----------------------------------|
| Alternative pressure gauge scale | Secondary venting | Alternative mounting position | Security | Type of mounting | UL certification | Alternative flow direction |
| PSI, MPA, BAR | OS | KD | AS, E11 | WP, WPM, WPB | UL1 | Z |
| - BAR | - | - | - AS | - | - | - |

| Ordering table | | | | | |
|----------------|----------------------------------|--|-------------|------|------------|
| Grid dimension | [mm] | 90 | Condition s | Code | Enter code |
| 0 | Alternative pressure gauge scale | Psi | 5 | -PSI | |
| | | MPa | 5 | -MPA | |
| | | Bar | 5 | -BAR | |
| | Secondary venting | Without secondary venting | 6 | -OS | |
| | Alternative mounting position | Rotary knob underneath (connection underneath with P0) | | -KD | |
| | Security | Can be locked using accessories | | -AS | |
| | | With integrated lock | | -E11 | |
| | Type of mounting | Mounting bracket | 7 | -WP | |
| | | Mounting bracket | 7 | -WPM | |
| | | Mounting bracket for large wall gap | 7 | -WPB | |
| | UL certification | cULus, ordinary location for Canada and USA | | -UL1 | |
| | Alternative flow direction | Flow direction from right to left | | -Z | |

5 **PSI, MPA, BAR** Not with pressure gauge alternatives VS, A4, AD7, AD8, AD9, AD10

6 **OS** Only with regulator type DI
7 **WP, WPM, WPB** Not with module NG


Transfer order code


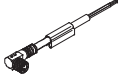
- - - - - - -



Pressure regulators MS-LR, MS series, NPT

FESTO

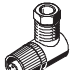
Accessories

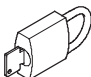
| Ordering data – Pressure gauge MA | | | | | | |
|---|--|----------------------|------------------|-----------|------------------------------|--------------------------------|
| | Nominal size | Pneumatic connection | Indicating range | | Part No. Type | |
| | | | [bar] | [psi] | | |
|  | Pressure gauge MA, EN 837-1 Technical data → Internet: ma | | | | | |
| | 40 | R $\frac{1}{4}$ | 0 ... 16 | 0 ... 232 | 187080 | MA-40-16-R $\frac{1}{4}$ -EN |
| | | | 0 ... 25 | 0 ... 360 | 187081 | MA-40-25-R $\frac{1}{4}$ -EN |
| | | G $\frac{1}{4}$ | 0 ... 16 | 0 ... 232 | 183901 | MA-40-16-G $\frac{1}{4}$ -EN |
| | Pressure gauge MA, EN 837-1, with red/green range Technical data → Internet: ma | | | | | |
| | 40 | R $\frac{1}{8}$ | 0 ... 16 | – | 525726 | MA-40-16-R $\frac{1}{8}$ -E-RG |
| | 50 | R $\frac{1}{4}$ | 0 ... 16 | – | 525729 | MA-50-16-R $\frac{1}{4}$ -E-RG |
| | Precision pressure gauge MAP, EN 837-1 Technical data → Internet: map | | | | | |
| | 40 | R $\frac{1}{8}$ | 0 ... 1 | 0 ... 15 | 161126 | MAP-40-1- $\frac{1}{8}$ -EN |
| | | | 0 ... 4 | 0 ... 58 | 162842 | MAP-40-4- $\frac{1}{8}$ -EN |
| 0 ... 6 | | | 0 ... 87 | 161127 | MAP-40-6- $\frac{1}{8}$ -EN | |
| 0 ... 16 | | | 0 ... 232 | 161128 | MAP-40-16- $\frac{1}{8}$ -EN | |

| Ordering data – Connecting cable NEBU-M8 | | | | | Technical data → Internet: nebu | |
|---|-----------------------|-----------------|------------------|----------|---------------------------------|--|
| | Electrical connection | Number of wires | Cable length [m] | Part No. | Type | |
|  | M8x1, straight socket | 3 | 2.5 | 541333 | NEBU-M8G3-K-2.5-LE3 | |
| | | | 5 | 541334 | NEBU-M8G3-K-5-LE3 | |
|  | M8x1, angled socket | 3 | 2.5 | 541338 | NEBU-M8W3-K-2.5-LE3 | |
| | | | 5 | 541341 | NEBU-M8W3-K-5-LE3 | |

| Ordering data – Connecting cable NEBU-M12 | | | | | Technical data → Internet: nebu | |
|---|------------------------|-----------------|------------------|----------|---------------------------------|--|
| | Electrical connection | Number of wires | Cable length [m] | Part No. | Type | |
|  | M12x1, straight socket | 4 | 2.5 | 550326 | NEBU-M12G5-K-2.5-LE4 | |
| | | | 5 | 541328 | NEBU-M12G5-K-5-LE4 | |
| | | 5 | 2.5 | 541330 | NEBU-M12G5-K-2.5-LE5 | |
| | | | 5 | 541331 | NEBU-M12G5-K-5-LE5 | |
|  | M12x1, angled socket | 4 | 2.5 | 550325 | NEBU-M12W5-K-2.5-LE4 | |
| | | | 5 | 541329 | NEBU-M12W5-K-5-LE4 | |

| Ordering data – Sensor socket SIE-GD | | | | Technical data → Internet: sie-gd | |
|---|-----------------------|----------|--------|-----------------------------------|--|
| | Electrical connection | Part No. | Type | | |
|  | M12x1, 4-pin | 18494 | SIE-GD | | |

| Ordering data – Angled plug socket SIE-WD | | | | Technical data → Internet: sie-wd | |
|---|-----------------------|----------|-----------|-----------------------------------|--|
| | Electrical connection | Part No. | Type | | |
|  | M12x1, 4-pin | 12956 | SIE-WD-TR | | |

| Ordering data – Padlock LRVS-D | | | |
|---|------------|----------|--------|
| | Weight [g] | Part No. | Type |
|  | 120 | 193786 | LRVS-D |

Product Range and Company Overview

A Complete Suite of Automation Services

Our experienced engineers provide complete support at every stage of your development process, including: conceptualization, analysis, engineering, design, assembly, documentation, validation, and production.



Custom Automation Components
Complete custom engineered solutions



Custom Control Cabinets
Comprehensive engineering support and on-site services



Complete Systems
Shipment, stocking and storage services

The Broadest Range of Automation Components

With a comprehensive line of more than 30,000 automation components, Festo is capable of solving the most complex automation requirements.



Electromechanical
Electromechanical actuators, motors, controllers & drives



Pneumatics
Pneumatic linear and rotary actuators, valves, and air supply



PLCs and I/O Devices
PLC's, operator interfaces, sensors and I/O devices

Supporting Advanced Automation... As No One Else Can!

Festo is a leading global manufacturer of pneumatic and electromechanical systems, components and controls for industrial automation, with more than 12,000 employees in 56 national headquarters serving more than 180 countries. For more than 80 years, Festo has continuously elevated the state of manufacturing with innovations and optimized motion control solutions that deliver higher performing, more profitable automated manufacturing and processing equipment. Our dedication to the advancement of automation extends beyond technology to the education and development of current and future automation and robotics designers with simulation tools, teaching programs, and on-site services.

Quality Assurance, ISO 9001 and ISO 14001 Certifications

Festo Corporation is committed to supply all Festo products and services that will meet or exceed our customers' requirements in product quality, delivery, customer service and satisfaction.

To meet this commitment, we strive to ensure a consistent, integrated, and systematic approach to management that will meet or exceed the requirements of the ISO 9001 standard for Quality Management and the ISO 14001 standard for Environmental Management.



© Copyright 2008, Festo Corporation. While every effort is made to ensure that all dimensions and specifications are correct, Festo cannot guarantee that publications are completely free of any error, in particular typing or printing errors. Accordingly, Festo cannot be held responsible for the same. For Liability and Warranty conditions, refer to our "Terms and Conditions of Sale", available from your local Festo office. All rights reserved. No part of this publication may be reproduced, distributed, or transmitted in any form or by any means, electronic, mechanical, photocopying or otherwise, without the prior written permission of Festo. All technical data subject to change according to technical update.



Printed on recycled paper at New Horizon Graphic, Inc., FSC certified as an environmentally friendly printing plant.

Festo North America

Festo Regional Contact Center

5300 Explorer Drive
Mississauga, Ontario L4W 5G4
Canada

USA Customers:

For ordering assistance,

Call: 1.800.99.FESTO (1.800.993.3786)

Fax: 1.800.96.FESTO (1.800.963.3786)

Email: customer.service@us.festo.com

For technical support,

Call: 1.866.GO.FESTO (1.866.463.3786)

Fax: 1.800.96.FESTO (1.800.963.3786)

Email: product.support@us.festo.com

Canadian Customers:

Call: 1.877.GO.FESTO (1.877.463.3786)

Fax: 1.877.FX.FESTO (1.877.393.3786)

Email: festo.canada@ca.festo.com

USA Headquarters

Festo Corporation
395 Moreland Road
P.O. Box 18023
Hauppauge, NY 11788, USA
www.festo.com/us

USA Sales Offices

Appleton

North 922 Tower View Drive, Suite N
Greenville, WI 54942, USA

Boston

120 Presidential Way, Suite 330
Woburn, MA 01801, USA

Chicago

1441 East Business Center Drive
Mt. Prospect, IL 60056, USA

Dallas

1825 Lakeway Drive, Suite 600
Lewisville, TX 75057, USA

Detroit – Automotive Engineering Center

2601 Cambridge Court, Suite 320
Auburn Hills, MI 48326, USA

New York

395 Moreland Road
Hauppauge, NY 11788, USA

Silicon Valley

4935 Southfront Road, Suite F
Livermore, CA 94550, USA

United States



USA Headquarters, East: Festo Corp., 395 Moreland Road, Hauppauge, NY 11788

Phone: 1.631.435.0800; Fax: 1.631.435.8026;

Email: info@festo-usa.com

www.festo.com/us

Canada



Headquarters: Festo Inc., 5300 Explorer Drive, Mississauga, Ontario L4W 5G4

Phone: 1.905.624.9000; Fax: 1.905.624.9001;

Email: festo.canada@ca.festo.com

www.festo.ca

Mexico



Headquarters: Festo Pneumatic, S.A., Av. Ceylán 3, Col. Tequesquahuac,
54020 Tlalneantla, Edo. de México

Phone: 011 52 [55] 53 21 66 00; Fax: 011 52 [55] 53 21 66 65;

Email: festo.mexico@mx.festo.com

www.festo.com/mx

Central USA

Festo Corporation
1441 East Business
Center Drive
Mt. Prospect, IL 60056, USA
Phone: 1.847.759.2600
Fax: 1.847.768.9480



Western USA

Festo Corporation
4935 Southfront Road,
Suite F
Livermore, CA 94550, USA
Phone: 1.925.371.1099
Fax: 1.925.245.1286



Festo Worldwide

Argentina Australia Austria Belarus Belgium Brazil Bulgaria Canada Chile China Colombia Croatia Czech Republic Denmark
Estonia Finland France Germany Great Britain Greece Hong Kong Hungary India Indonesia Iran Ireland Israel Italy Japan Latvia
Lithuania Malaysia Mexico Netherlands New Zealand Norway Peru Philippines Poland Romania Russia Serbia Singapore
Slovakia Slovenia South Africa South Korea Spain Sweden Switzerland Taiwan Thailand Turkey Ukraine United States Venezuela

www.festo.com