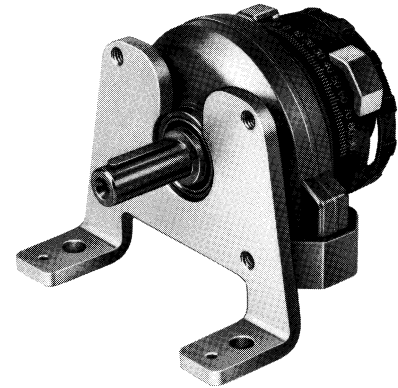
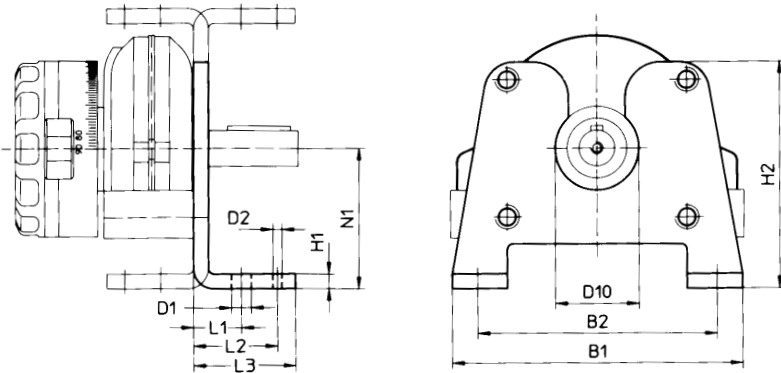


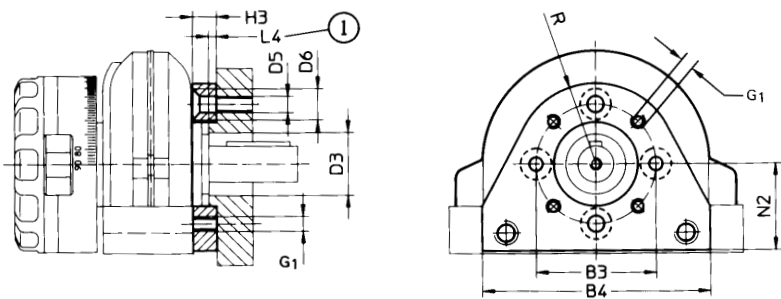
Vane Type Rotary Actuators, Type DSR/DSRL

Mounting Hardware Dimensions

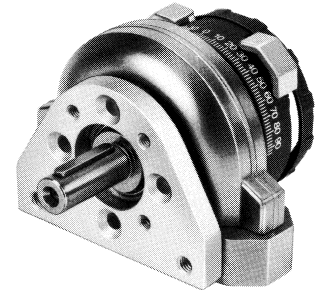
Foot Mount, Type HSR-...-FW (1 foot and mounting screws) (For DSR/DSRL)



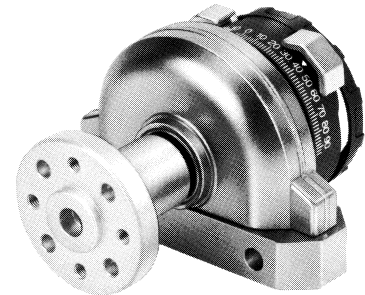
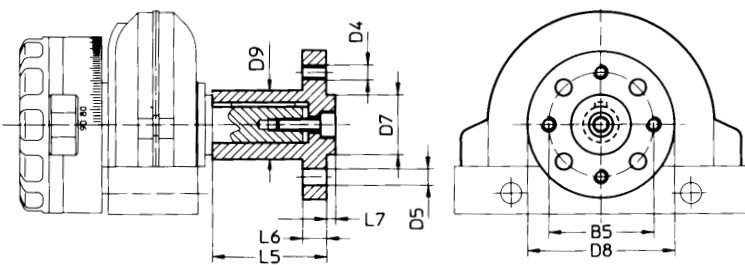
Flange Mount, Type FSR-... (1 flange and mounting screws) (For DSR only)



① Maximum length of centering



Rod Flange, Type FWSR-... (1 flange, spring washer and mounting screw) (For Metric Series DSR only)



Bore	B1	B2	B3	B4	B5	D1 dia H13	D2 dia	D3 dia min.	D4	D5 dia H13
in / mm	in / mm	in / mm	in / mm	in / mm	in / mm	in / mm	in / mm	in / mm	thread	in / mm
3/8 / 10	2.11 / 53.5	1.69 / 43	1-1/8 / 28	1.81 / 46	0.83 / 21	0.14 / 3.5	3/32 / 2	23/32 / 20	M3	0.13 / 3.4
1/2 / 12	2.52 / 64	2.05 / 52	1-1/4 / 31	2.13 / 54	0.98 / 25	0.14 / 3.5	3/32 / 2	7/8 / 22	M3	0.13 / 3.4
5/8 / 16	3.03 / 77	2.48 / 63	1-3/8 / 35	2.44 / 62	1.10 / 28	0.22 / 5.7	3/32 / 2	61/64 / 24	M4	0.18 / 4.5
1 / 25	3.82 / 97	3.15 / 80	1-9/16 / 40	2.99 / 76	1.38 / 35	0.27 / 6.8	1/8 / 3	1-7/64 / 28	M5	0.22 / 5.5
1-1/4 / 32	5.08 / 129	4.13 / 105	1-3/16 / 56	3.94 / 100	1.77 / 45	0.35 / 8.8	5/32 / 4	1-21/32 / 42	M6	0.26 / 6.6
1-5/8 / 40	6.26 / 159	5.12 / 130	2-13/16 / 72	4.72 / 120	2.13 / 54	0.35 / 8.8	3/16 / 5	2-3/64 / 52	M8	0.35 / 9
Bore	D6 dia H13	D7	D8	D9	D10 H9*	H1	H2	H3	L1	L2
in / mm	in / mm	in / mm	in / mm	in / mm	in / mm	in / mm	in / mm	in / mm	in / mm	in / mm
3/8 / 10	0.26 / 6.5	0.43 / 11	1.18 / 30	0.47 / 12	23/32 / 20	0.16 / 4	2.09 / 53	0.28 / 7	0.43 / 11	0.67 / 17
1/2 / 12	0.26 / 6.5	0.55 / 14	1.38 / 35	0.59 / 15	7/8 / 22	0.16 / 4	2.48 / 63	0.28 / 7	0.43 / 11	0.67 / 17
5/8 / 16	0.34 / 8.5	0.63 / 16	1.57 / 40	0.67 / 17	61/64 / 24	0.20 / 5	2.80 / 71	0.31 / 8	0.55 / 14	0.87 / 22
1 / 25	0.41 / 10.4	0.79 / 20	1.97 / 50	0.91 / 23	1-7/64 / 28	0.20 / 5	2.99 / 76	0.31 / 8	0.63 / 16	1.10 / 28
1-1/4 / 32	0.49 / 12.4	1.10 / 28	2.36 / 60	1.10 / 28	1-21/32 / 42	0.32 / 8	4.25 / 108	0.47 / 12	0.79 / 20	1.34 / 34
1-5/8 / 40	0.65 / 16.4	1.42 / 36	2.76 / 70	1.50 / 38	2-3/64 / 52	0.32 / 8	5.28 / 134	0.55 / 14	0.98 / 25	1.65 / 42
Bore	L3	L4 (max)	L5	L6	L7	N1	N2	R	G1	
in / mm	in / mm	in / mm	in / mm	in / mm	in / mm	in / mm	in / mm	in / mm	Inch	Metric
3/8 / 10	0.83 / 21	0.08 / 2	0.87 / 22	0.12 / 3	0.06 / 1.6	1.34 / 34	0.79 / 20	0.71 / 18	6-40 UNF	M3
1/2 / 12	0.83 / 21	0.08 / 2	0.98 / 25	0.12 / 3	0.12 / 3	1.58 / 40	0.87 / 22	0.81 / 20.5	8-30 UNF	M4
5/8 / 16	1.04 / 26.5	0.08 / 2	1.10 / 28	0.20 / 5	0.12 / 3	1.73 / 44	1.04 / 26.5	0.93 / 23.5	10-32 UNF	M5
1 / 25	1.34 / 34	0.10 / 2.5	1.59 / 38	0.31 / 8	0.12 / 3	1.85 / 47	1.14 / 29	1.06 / 27	1/4-28 UNF	M6
1-1/4 / 32	1.69 / 43	0.10 / 2.5	1.89 / 48	0.39 / 10	0.16 / 4	2.60 / 66	1.85 / 42	1.42 / 36	5/16-34 UNF	M8
1-5/8 / 40	2.05 / 52	0.16 / 4	2.36 / 60	0.43 / 11	0.20 / 5	3.19 / 81	2.05 / 52	1.81 / 46	5/16-24 UNF	M8

*H9 tolerance on bores 3/8-1-1/4 in / 10-32 mm
F9 tolerance on bores 1-5/8 in / 40 mm

Vane Type Rotary Actuators, Type DSR/DSRL

Mounting Hardware and Mounting Kits Order Information

FESTO

Note: Type HSR for DSR and DSRL. All other mounts are for DSR only.

Bore in / mm	Actuator Mounting Hardware			Mounting Kits for Accessories		
	Order Number		Weight lb / kg	Order Number		Weight lb / kg
	Part No.	Type		Part No.	Type	
3/8 / 10	33317	HSR-10-FW	0.134 / 0.061	33414	WSR-10-K	0.018 / 0.008
	34480	FSR-10	0.049 / 0.022	33413	WSR-10-J-M 5	0.013 / 0.006
	32798	FWSR-10*	0.022 / 0.010			
1/2 / 12	30923	HSR-1 2-FW	0.192 / 0.087	15686	WSR-1 2-K	0.026 / 0.012
	14658	FSR-12	0.071 / 0.032	15684	WSR-1 2	0.066 / 0.030
	14659	FWSR-12*	0.042 / 0.019	15685	WSR-12-J-M 5	0.022 / 0.010
5/8 / 16	30924	HSR-16-FW	0.375 / 0.170	14874	WSR-16	0.051 / 0.023
	13236	FSR-16	0.110 / 0.050	14873	WSR-16-J	0.026 / 0.012
	13239	FWSR-16*	0.066 / 0.030	15931	WSR-16-J-M 5	0.172 / 0.078
1 / 25	30925	HSR-25-FW	0.518 / 0.235	14796	WSR-25	0.057 / 0.026
	13237	FSR-25	0.154 / 0.070	14799	WSR-25-J	0.037 / 0.017
	13240	FWSR-25*	0.154 / 0.070	15932	WSR-25-J-M 5	0.037 / 0.017
1-1/4 / 32	30926	HSR-32-FW	1.46 / 0.660	14960	WSR-32	0.064 / 0.029
	13238	FSR-32	0.397 / 0.180	14962	WSR-32-J	0.040 / 0.018
	13241	FWSR-32*	0.265 / 0.120	15933	WSR-32-J-M 5	0.055 / 0.025
1-5/8 / 40	30927	HSR-40-FW	2.292 / 1.040	14961	WSR-40	0.071 / 0.032
	14655	FSR-40	0.661 / 0.300	14963	WSR-40-J	0.053 / 0.024
	14656	FWSR-40*	0.529 / 0.240	15934	WSR-40-J-M 5	0.066 / 0.030

*For Metric Series Type DSR only

Product Range and Company Overview

A Complete Suite of Automation Services

Our experienced engineers provide complete support at every stage of your development process, including: conceptualization, analysis, engineering, design, assembly, documentation, validation, and production.



Custom Automation Components
Complete custom engineered solutions



Custom Control Cabinets
Comprehensive engineering support and on-site services



Complete Systems
Shipment, stocking and storage services

The Broadest Range of Automation Components

With a comprehensive line of more than 30,000 automation components, Festo is capable of solving the most complex automation requirements.



Electromechanical
Electromechanical actuators, motors, controllers & drives



Pneumatics
Pneumatic linear and rotary actuators, valves, and air supply



PLCs and I/O Devices
PLC's, operator interfaces, sensors and I/O devices

Supporting Advanced Automation... As No One Else Can!

Festo is a leading global manufacturer of pneumatic and electromechanical systems, components and controls for industrial automation, with more than 12,000 employees in 56 national headquarters serving more than 180 countries. For more than 80 years, Festo has continuously elevated the state of manufacturing with innovations and optimized motion control solutions that deliver higher performing, more profitable automated manufacturing and processing equipment. Our dedication to the advancement of automation extends beyond technology to the education and development of current and future automation and robotics designers with simulation tools, teaching programs, and on-site services.

Quality Assurance, ISO 9001 and ISO 14001 Certifications

Festo Corporation is committed to supply all Festo products and services that will meet or exceed our customers' requirements in product quality, delivery, customer service and satisfaction.

To meet this commitment, we strive to ensure a consistent, integrated, and systematic approach to management that will meet or exceed the requirements of the ISO 9001 standard for Quality Management and the ISO 14001 standard for Environmental Management.



© Copyright 2008, Festo Corporation. While every effort is made to ensure that all dimensions and specifications are correct, Festo cannot guarantee that publications are completely free of any error, in particular typing or printing errors. Accordingly, Festo cannot be held responsible for the same. For Liability and Warranty conditions, refer to our "Terms and Conditions of Sale", available from your local Festo office. All rights reserved. No part of this publication may be reproduced, distributed, or transmitted in any form or by any means, electronic, mechanical, photocopying or otherwise, without the prior written permission of Festo. All technical data subject to change according to technical update.



Printed on recycled paper at New Horizon Graphic, Inc., FSC certified as an environmentally friendly printing plant.

Festo North America

United States

Customer Resource Center
502 Earth City Expy., Suite 125
Earth City, MO 63045

For ordering assistance, or to find
your nearest Festo Distributor,

Call: 1.800.99.FESTO

Fax: 1.800.96.FESTO

Email: customer.service@us.festo.com

For technical support,

Call: 1.866.GO.FESTO

Fax: 1.800.96.FESTO

Email: product.support@us.festo.com

Headquarters

Festo Corporation
395 Moreland Road
P.O. Box 18023
Hauppauge, NY 11788
www.festo.com/us

Sales Offices

Appleton

N. 922 Tower View Drive, Suite N
Greenville, WI 54942

Boston

120 Presidential Way, Suite 330
Woburn, MA 01801

Chicago

1441 East Business Center Drive
Mt. Prospect, IL 60056

Dallas

1825 Lakeway Drive, Suite 600
Lewisville, TX 75057

Detroit - Automotive Engineering Center

2601 Cambridge Court, Suite 320
Auburn Hills, MI 48326

New York

395 Moreland Road
Hauppauge, NY 11788

Silicon Valley

4935 Southfront Road, Suite F
Livermore, CA 94550

Design and Manufacturing Operations



East: 395 Moreland Road, Hauppauge, NY 11788



Central: 1441 East Business Center Drive, Mt. Prospect, IL 60056



West: 4935 Southfront Road, Suite F, Livermore, CA 94550

Mexico

Headquarters

Festo Pneumatic, S.A.
Av. Ceylán 3, Col. Tequesquahuac
54020 Tlalnepantla, Edo. de México
Call: 011 52 [55] 53 21 66 00
Fax: 011 52 [55] 53 21 66 65
Email: festo.mexico@mx.festo.com
www.festo.com/mx



Canada

Headquarters

Festo Inc.
5300 Explorer Drive
Mississauga, Ontario L4W 5G4
Call: 1.905.624.9000
Fax: 1.905.624.9001
Email: info.ca@ca.festo.com
www.festo.com/ca



Festo Worldwide

Argentina Australia Austria Belarus Belgium Brazil Bulgaria Canada Chile China Colombia Croatia Czech Republic Denmark
Estonia Finland France Germany Great Britain Greece Hong Kong Hungary India Indonesia Iran Ireland Israel Italy Japan
Latvia Lithuania Malaysia Mexico Netherlands New Zealand Norway Peru Philippines Poland Romania Russia Serbia Singapore
Slovakia Slovenia South Africa South Korea Spain Sweden Switzerland Taiwan Thailand Turkey Ukraine United States Venezuela

www.festo.com