

Linear drives ELGL-LAS, with air bearing and linear motor



# Linear drives ELGL-LAS, with air bearing and linear motor

Key features

### At a glance

The electric linear drive ELGL is a handling axis with air-bearing guide and integrated linear motor. The drive elements and the air bearing form a single unit. The slide moves on the stator rail. An integrated displacement encoder sends signals to the controller.

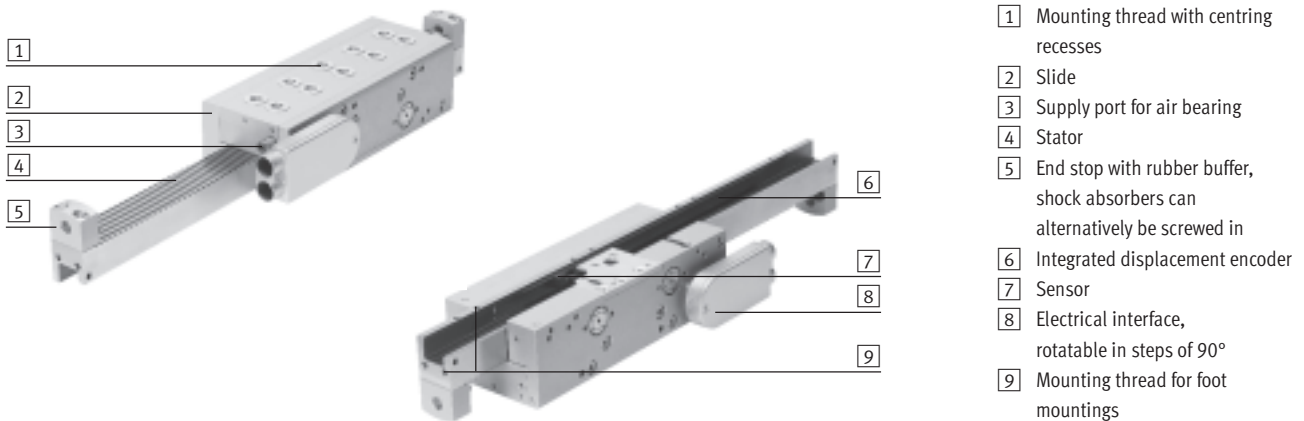
The displacement encoder, controller and motor operate in a closed-loop control circuit.

This enables the motor to regulate to specified set values for speed and position within the permitted stroke range with a high degree of accuracy.

### Advantages

- Highly accurate positioning and very good linearity thanks to the air bearing
- Integrated locking brake function through magnetic pretensioning of the air bearing
- Multiple carriages possible on one axis
- Opposing and synchronous movements possible
- No friction on the guide parts
- Maintenance and wear-free
- Insensitive to dirt thanks to air bearing

### The technology in detail



### Complete system consisting of linear drive and motor controller

Linear axis ELGL



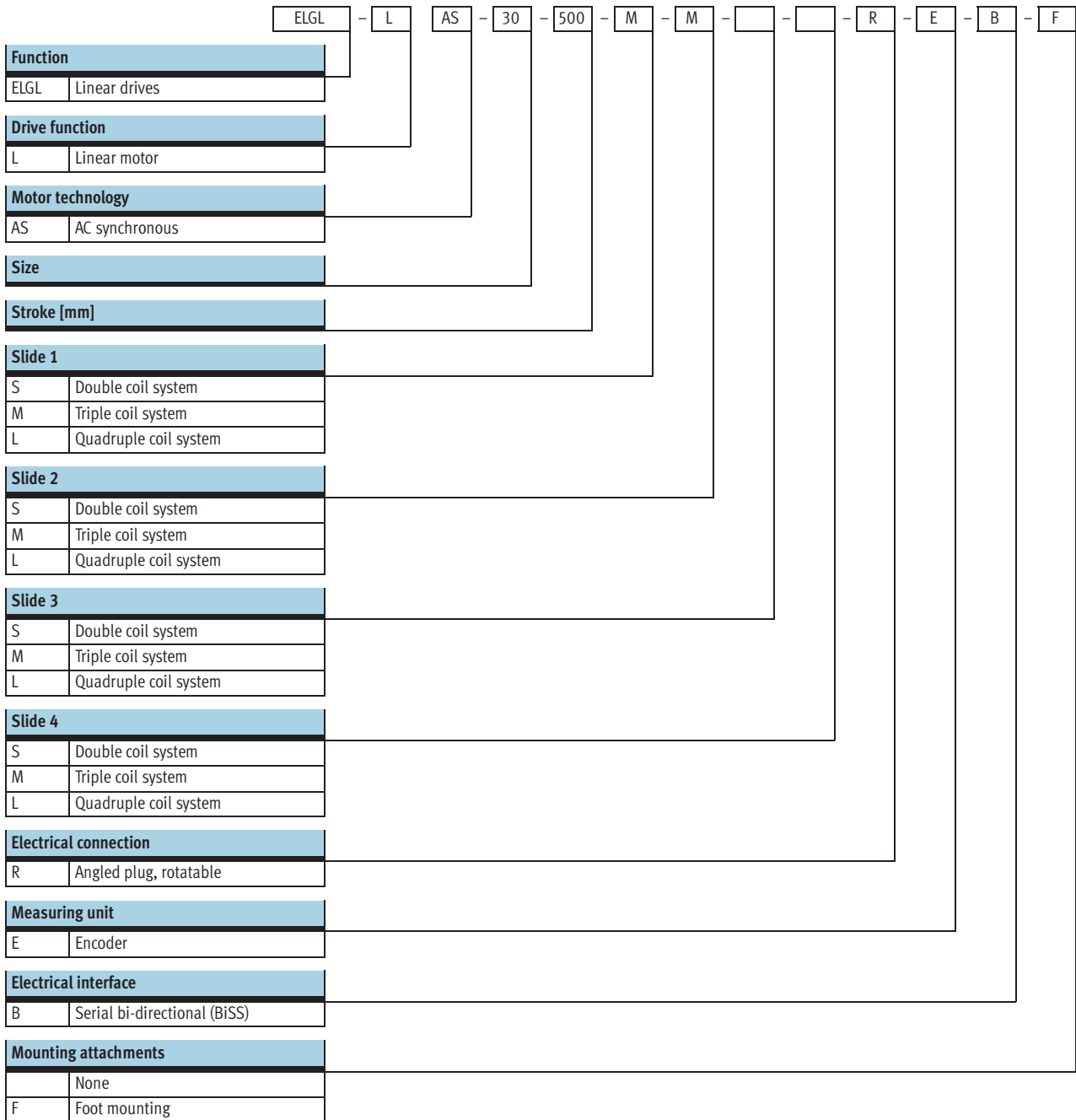
Servo motor controller CMMP-AS

→ Internet: motor controller



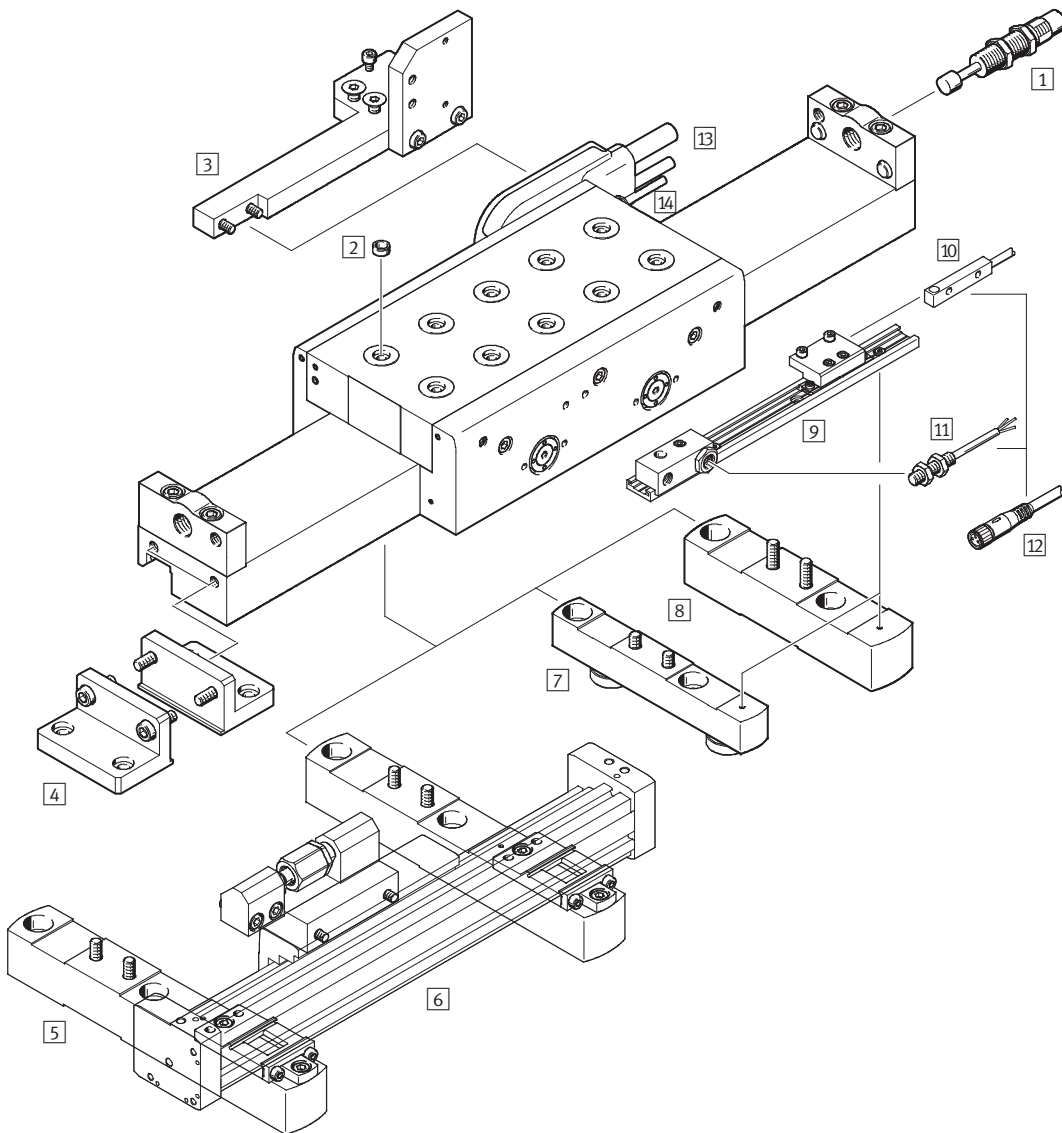
# Linear drives ELGL-LAS, with air bearing and linear motor

Type codes



# Linear drives ELGL-LAS, with air bearing and linear motor

Peripherals overview



# Linear drives ELGL-LAS, with air bearing and linear motor

Peripherals overview

Accessories			
Type	Brief description		→ Page/Internet
1 Shock absorber YSRW	For avoiding damage at the end stop in the event of malfunction		19
2 Centring sleeve ZBH	<ul style="list-style-type: none"> <li>For centring loads and attachments on the slide</li> <li>Centring sleeves are not included in the scope of delivery of the drive</li> </ul>		19
3 Mounting kit EAHT	For mounting an energy chain (type: E6.29 or E6.40) on the linear drive ELGL		17
4 Foot mounting EAHF	<ul style="list-style-type: none"> <li>For mounting the axis on the end cap</li> <li>2 included in the scope of delivery</li> </ul>		14
5 Mounting kit EAHC	<ul style="list-style-type: none"> <li>For mounting a pneumatic linear drive DGC on the linear drive ELGL</li> <li>The slides are connected to each other via a self-aligning rod coupler</li> </ul>		18
6 Linear drive DGC-18-...	For relieving the load on the linear motor when used vertically (→ below)		dgc
7 Adjustable foot mounting EAHF-...-PJ	<ul style="list-style-type: none"> <li>For mounting the axis on the stator</li> <li>Height-adjustable foot mounting, compensates for unevenness of the mounting surface</li> <li>1 included in the scope of delivery</li> </ul>		15
8 Foot mounting EAHF-...-P	For mounting the axis on the stator <ul style="list-style-type: none"> <li>2 included in the scope of delivery</li> </ul>		14
9 Sensor bracket EAPR	For attaching the inductive proximity sensors to the foot mountings EAHF-...-P or EAHF-...-PJ		16
10 Proximity sensor SIES	Inductive proximity sensor, square design		19
11 Proximity sensor SIEN	Inductive proximity sensor, round design		20
12 Connecting cable NEBU	For connecting the proximity sensor with plug connection to the controller		20
13 Motor cable NEBM	<ul style="list-style-type: none"> <li>For connecting the motor and controller</li> <li>Connection can be rotated in steps of 90°</li> </ul>		19
13 Encoder cable NEBM	<ul style="list-style-type: none"> <li>For connecting the displacement encoder and controller</li> <li>Connection can be rotated in steps of 90°</li> </ul>		19
14 QS push-in fitting QSM	For connecting compressed air tubing with standard external diameters		20

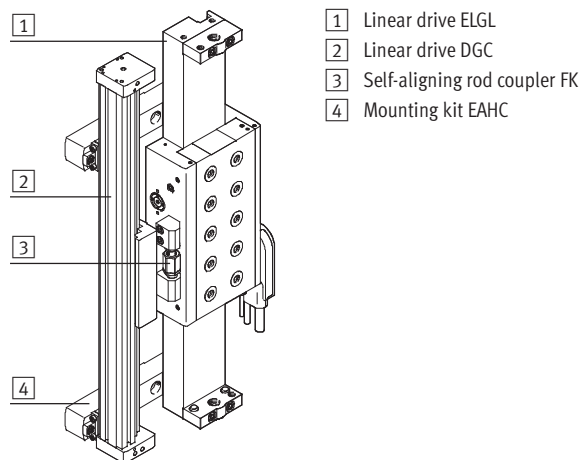
## Compressed air backup for vertical operation

A pneumatic linear drive DGC-18 can be attached to the linear drive ELGL to protect the linear motor from overheating. The effective load is additionally held by the DGC when approaching the position by means of an appropriate backpressure in the DGC.

Ordering aid:

Part number: 532446

Type: DGC-18-...-G-...

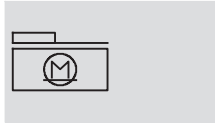


- 1 Linear drive ELGL
- 2 Linear drive DGC
- 3 Self-aligning rod coupler FK
- 4 Mounting kit EAHC

# Linear drives ELGL-LAS, with air bearing and linear motor

Technical data

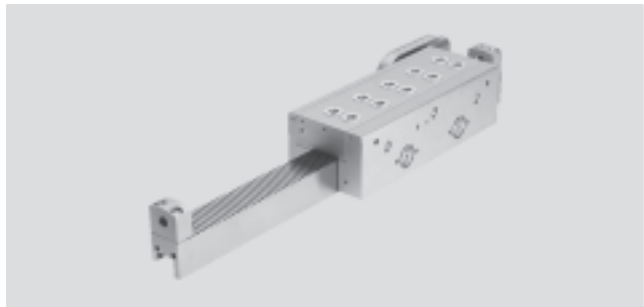
Function



- N- Size  
30 ... 120
- T- Stroke length  
1 ... 5,750 mm

**Note**

All values are based on a normal temperature of 23 °C.  
Dynamic response and accuracy depend on the mounting (rigidity) and temperature stresses (heat concentration).



General technical data								
Size		30	64			120		
Coil system		S	S	M	S	M	L	
<b>Mechanical</b>								
Constructional design		Electric linear direct drive Guide with integrated displacement encoder						
Guide		Air bearing						
Type of mounting		Via accessories						
Mounting position		Horizontal		Any				
Effective stroke	[mm]	1 ... 740	1 ... 1,750 <sup>1)</sup>	1 ... 1,650 <sup>1)</sup>	1 ... 1,750 <sup>1)</sup>	1 ... 1,650 <sup>1)</sup>	1 ... 1,550 <sup>1)</sup>	
Max. feed force F <sub>x</sub>	[N]	44	119	164	240	310	450	
Continuous feed force F <sub>x</sub>	[N]	44	110	160	217	282	330	
Max. speed	[m/s]	4			3.4	3.2	2	
Max. acceleration	[m/s <sup>2</sup> ]	15.4	29.4	29.1	47.6	40.4	50.2	
Repetition accuracy	[mm]	±0.01						
Locking brake		Integrated by means of air bearing						
<b>Pneumatic</b>								
Operating pressure	[bar]	5					6	
Air consumption	[l/min]	15	15	20	15	20	40	
<b>Electric</b>								
Type of motor		Linear AC servo motor						
Displacement encoder		Magnetic						
Intermediate circuit voltage	[V]	600						
Peak current	[A]	4.0	4.0	4.0	4.5	4.5	4.5	
Nominal current	[A]	3.5	3.5	3.0	3.5	3.0	2.75	
Magnetic radiation		None						

1) Work strokes up to 5,750 mm on request

Operating and environmental conditions		
Ambient temperature <sup>1)</sup>	[°C]	0 ... +40
Max. motor temperature	[°C]	70
Normal temperature <sup>2)</sup>	[°C]	23
Temperature monitoring		Automatic switch-off in event of over-temperature (PTC resistor)
Degree of protection		IP65
Relative air humidity (non-condensing)	[%]	20 ... 80
CE mark (see declaration of conformity)		To EU EMC Directive
		To EU Low Voltage Directive
Certification		C-Tick

1) Note operating range of proximity sensors

2) Unless otherwise stated, all values are based on normal temperature

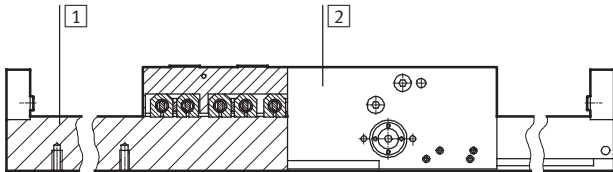
# Linear drives ELGL-LAS, with air bearing and linear motor

Technical data

Weight							
Size		30	64		120		
Coil system		S	S	M	S	M	L
Slide	[kg]	2.8	3.8	5.0	4.7	6.8	8.7
Stator	[kg/m]	4.9	13.3		27.0		

## Materials

Sectional view

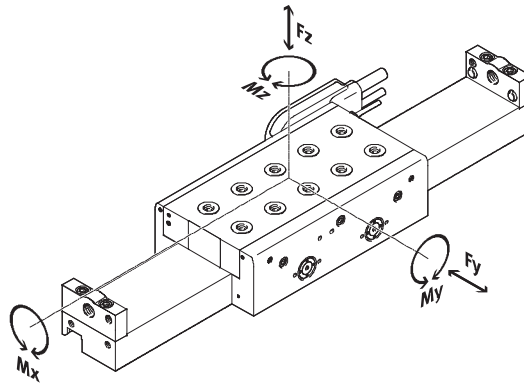


Linear drive		
1	Stator	Steel
2	Housing	Wrought aluminium alloy, anodised
-	Note on materials	Contains PWIS (paint-wetting impairment substances)
		RoHS-compliant

## Static characteristic load values

The indicated forces and torques refer to the slide surface. The point of application of force is the point where the centre of the guide and the longitudinal centre of the slide intersect.

These values must not be exceeded during dynamic operation. Attention must be paid to the acceleration and braking.



If the axis is simultaneously subjected to more than two of the indicated forces and torques, the following equation must be satisfied in addition to the indicated maximum loads:

$$\frac{|F_y|}{F_{y_{max}}} + \frac{|F_z|}{F_{z_{max}}} + \frac{|M_x|}{M_{x_{max}}} + \frac{|M_y|}{M_{y_{max}}} + \frac{|M_z|}{M_{z_{max}}} \leq 1$$

## Permissible forces and torques

Size		30	64		120		
Coil system							
F <sub>y</sub> <sub>max.</sub>	[N]	600	600	600	600	600	600
Limit load F <sub>z</sub> <sub>max.</sub>	[N]	160	700	1,000	1,300	1,700	2,500
Tensile load F <sub>z</sub> <sub>max.</sub>	[N]	35	140	220	260	300	400
M <sub>x</sub> <sub>max.</sub>	[Nm]	1.2	8	10	14	21	28
M <sub>y</sub> <sub>max.</sub>	[Nm]	7	20	28	45	60	80
M <sub>z</sub> <sub>max.</sub>	[Nm]	20	20	30	20	30	50

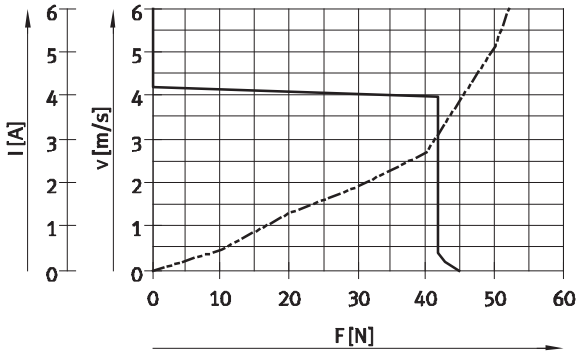
**Note**  
Positioning Drives sizing software  
→ [www.festo.com](http://www.festo.com)

# Linear drives ELGL-LAS, with air bearing and linear motor

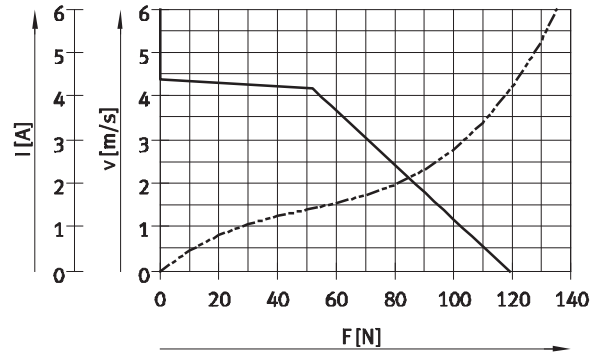
Technical data

## Speed $v$ and current $I$ as a function of feed force $F$

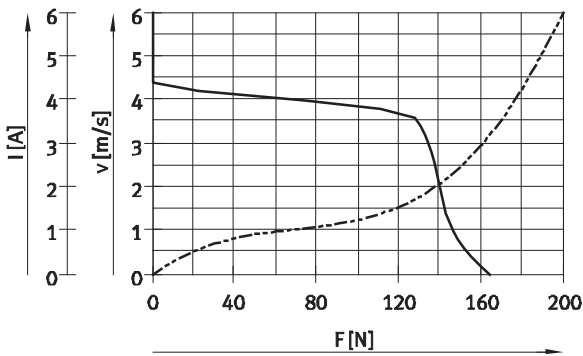
ELGL-LAS-30-...-S



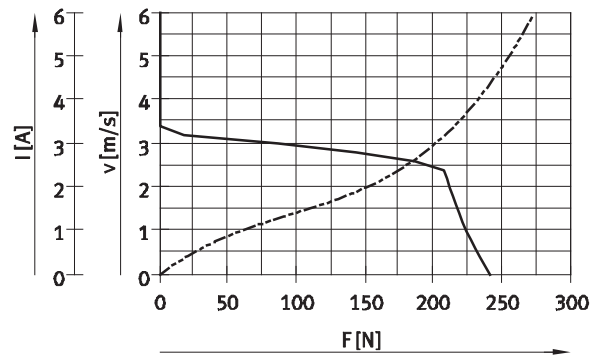
ELGL-LAS-64-...-S



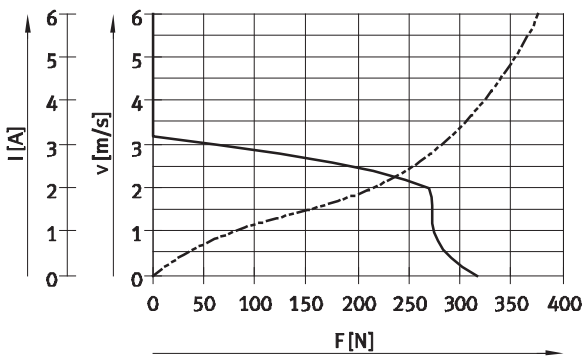
ELGL-LAS-64-...-M



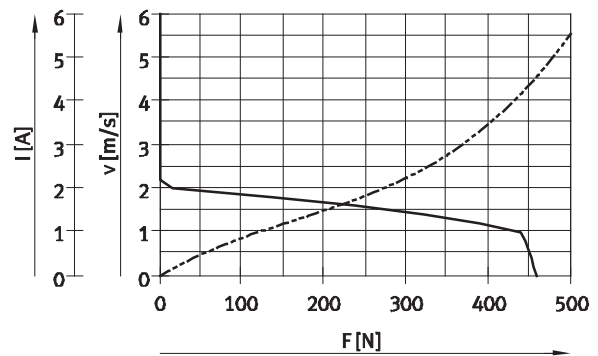
ELGL-LAS-120-...-S



ELGL-LAS-120-...-M



ELGL-LAS-120-...-L



— Speed m/s  
 - - - - Current A

### Note

Characteristics for intermediate circuit voltage of 600 V.



# Linear drives ELGL-LAS, with air bearing and linear motor

Technical data

## Mounting options

The stator has an evenness value of  $7\ \mu\text{m}/300\ \text{mm}$ . To ensure the quality of the air bearing, the mounting surface must be correspondingly precise.

For points of support with smooth surfaces, the linear drive can be mounted directly at the stator **1** or with the help of the foot mountings **2**.

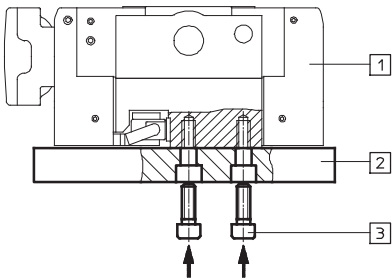
If the surface is not sufficiently even, the foot mounting **3** is used together with the adjustable foot mounting **4**.

A 3 or 4-point mounting is recommended to secure the load.

### 1 Direct mounting

Range of application:

- Only with smooth surface (e.g. granite table)

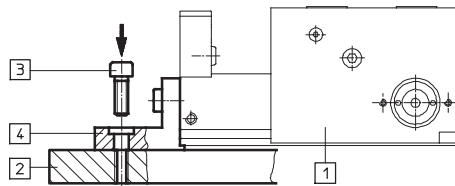


- 1** Linear drive
- 2** Mounting surface
- 3** Socket head screw

### 2 Angled foot mounting

Range of application:

- Only with smooth surface (e.g. granite table)
- Up to a stator length of max. 500 mm

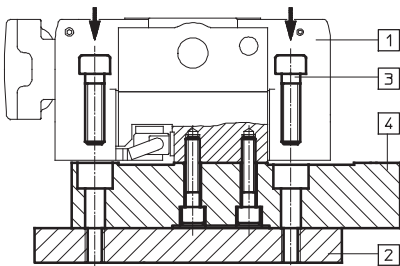


- 1** Linear drive
- 2** Mounting surface
- 3** Socket head screw
- 4** Foot mounting EAHF...

### 3 Foot mounting

Range of application:

- With milled surface (good evenness)
- Recommended support spacing: every 360 mm

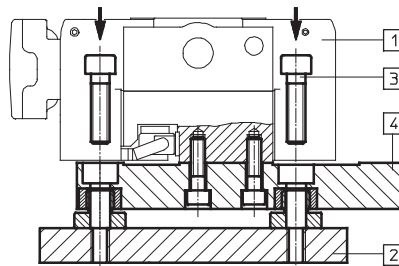


- 1** Linear drive
- 2** Mounting surface
- 3** Socket head screw
- 4** Foot mounting EAHF-...-P

### 4 Adjustable foot mounting

Range of application:

- With surface with low evenness
- Recommended support spacing: every 360 mm



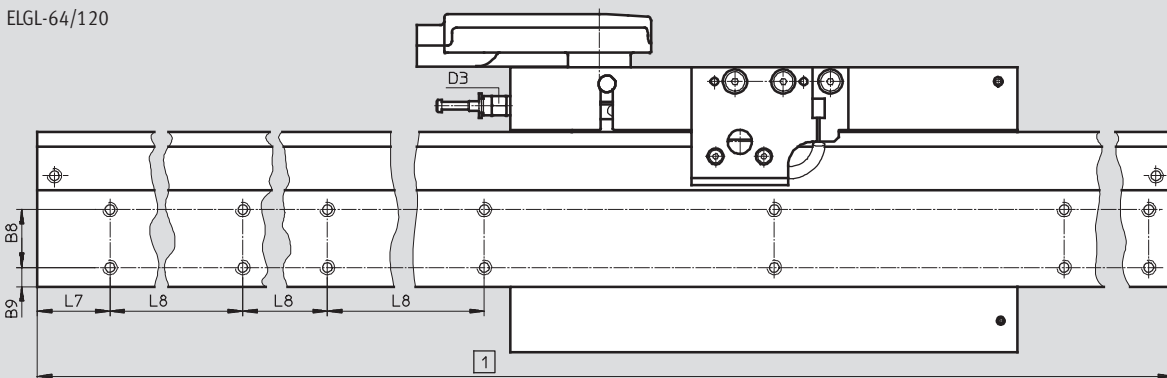
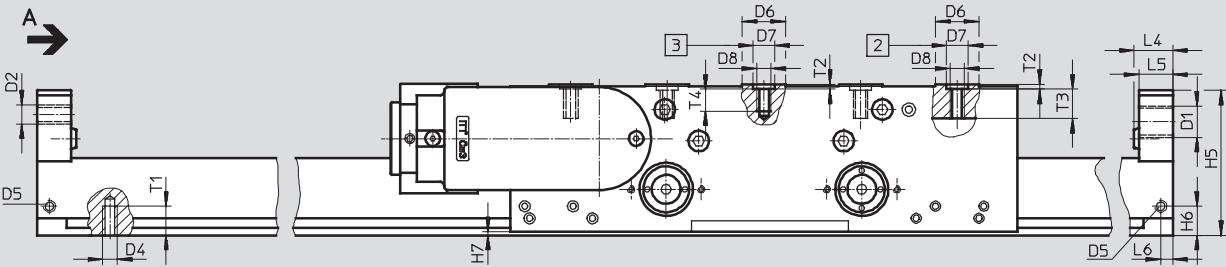
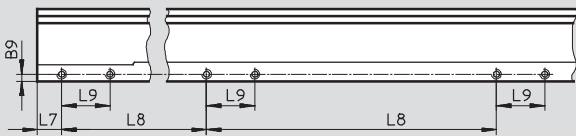
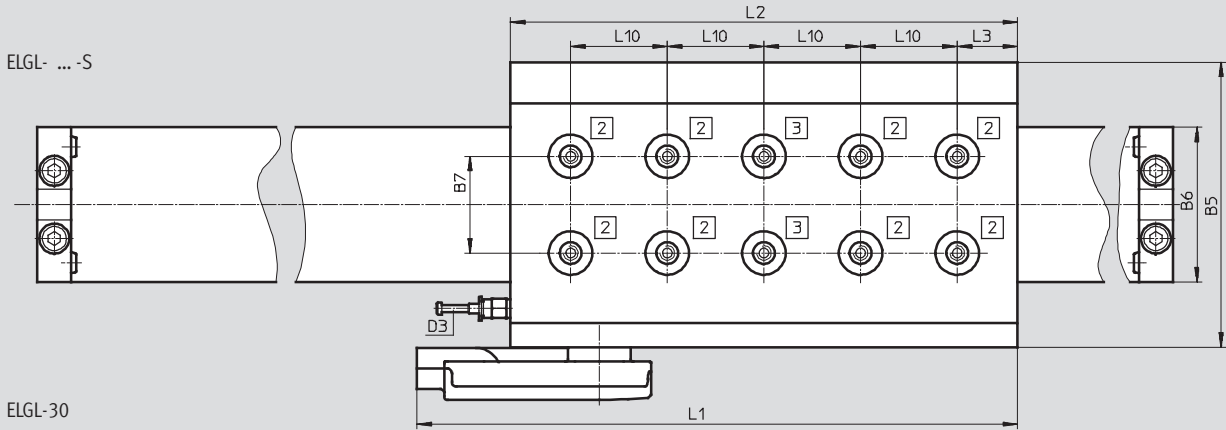
- 1** Linear drive
- 2** Mounting surface
- 3** Socket head screw
- 4** Foot mounting EAHF-...-P

# Linear drives ELGL-LAS, with air bearing and linear motor

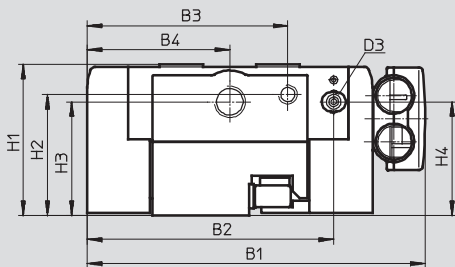
Technical data

**Dimensions**

Download CAD Data → [www.festo.com/us/cad](http://www.festo.com/us/cad)



**View A**



1 → table on page 12

2 Hole for centring sleeve ZBH-9, thread depth 12 mm

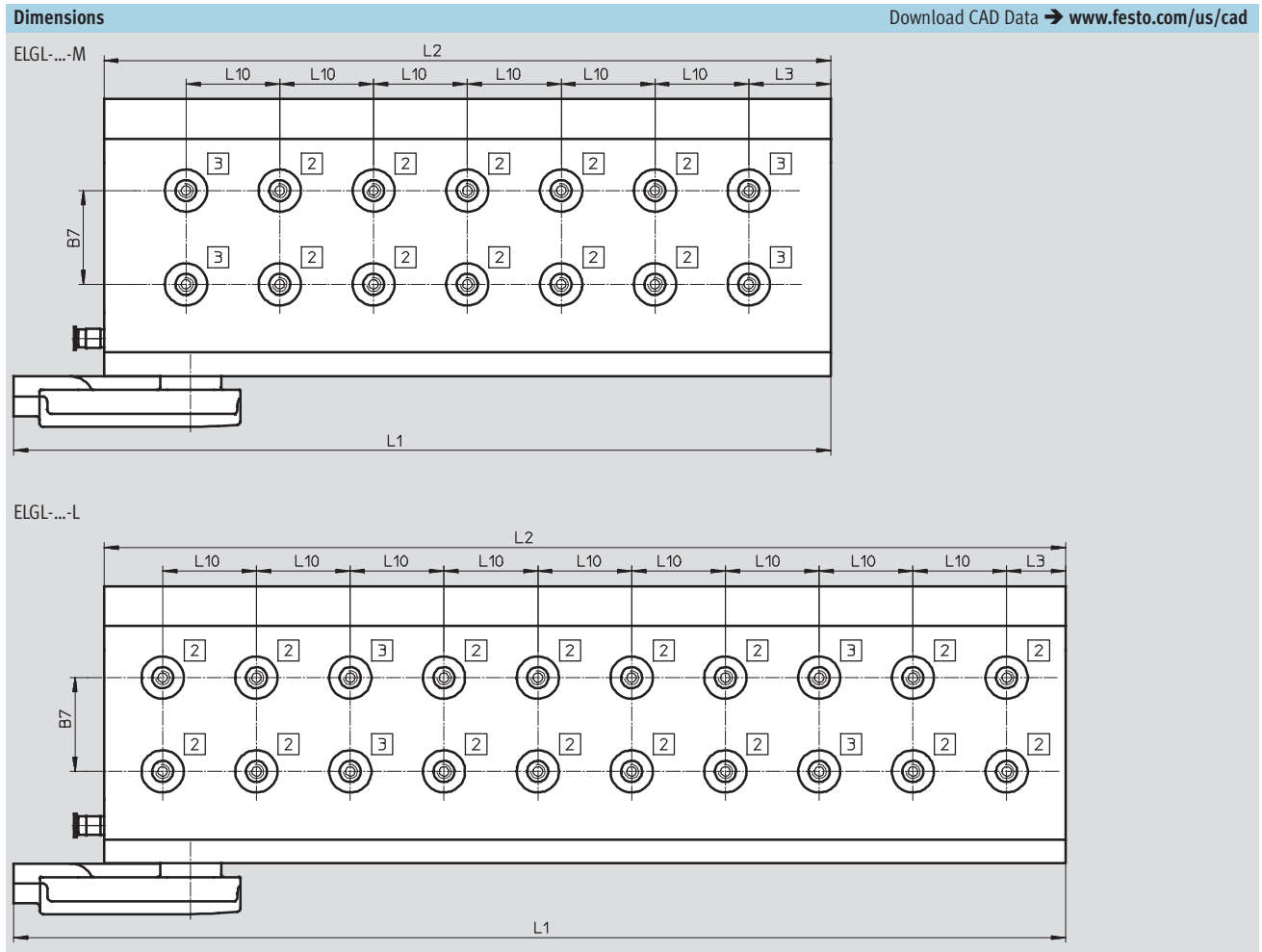
3 Hole for centring sleeve ZBH-9, thread depth 9 mm

**Note**

Use max. 4 screws to mount the effective load.

# Linear drives ELGL-LAS, with air bearing and linear motor

Technical data



Size	B1	B3	B4	B5	B6	B7 ±0.01	B8	B9	D1	D2	D4	D5	D6	D7 H7	D8	H1
30	105.8	–	42	84	30	20	–	3	M10x1	–	M4	M5	18	9	M6	62
64	139.8	83.5	59	118	64	40	24	8	M14x1	M8x1	M6	M5	18	9	M6	62
120	195.8	111.5	87	174	120	80	72	12	M14x1	M8x1	M6	M5	18	9	M6	62

Size	H2	H3	H4	H5	H6	H7	L4	L5	L6	L7	L8	L9	L10 ±0.01	T1	T2 +0.1	T3	T4
30	–	46.5	47	58	12	1	20	17	5	10	120	20	40	10	2.1	12	9
64	50	47	47	60	12	1	16	14	5	30	120	–	40	12	2.1	12	9
120	50	47	52	60	12	1	16	14	5	30	120	–	40	12	2.1	12	9

Size	Rotor variant	B2	D3		L1	L2	L3 ±0.01
			QS push-in fitting	For tubing O.D.			
30	S	68	QSM-M5-4	4	248.6	210	25
64	S	102	QSM-M5-4	4	248.6	210	25
	M	102	QSM-M5-4	4	348.6	310	35
120	S	158	QSM-M5-4	4	248.6	210	25
	M	158	QSM-M5-4	4	348.6	310	35
	L	154	QSM-1/8-6	6	453.1	410	25

## Linear drives ELGL-LAS, with air bearing and linear motor

Technical data

Total length of the drive with one slide						
Size	30	64		120		
Slide variant	S	S	M	S	M	L
Work stroke [mm]						
100	360	350	450	350	450	550
200	460	450	550	450	550	650
300	560	550	650	550	650	765
400	660	650	765	650	765	850
500	765	765	850	765	850	950
600	860	850	950	850	950	1,050
700	960	950	1,050	950	1,050	1,150
800	–	1,050	1,150	1,050	1,150	1,250
900	–	1,150	1,250	1,150	1,250	1,365
1,000	–	1,250	1,365	1,250	1,365	1,450
1,100	–	1,365	1,450	1,365	1,450	1,550
1,200	–	1,450	1,550	1,450	1,550	1,650
1,300	–	1,550	1,650	1,550	1,650	1,750
1,400	–	1,650	1,750	1,650	1,750	1,850
1,500	–	1,750	1,850	1,750	1,850	1,965
1,600	–	1,850	1,965	1,850	1,965	–
1,700	–	1,965	–	1,965	–	–

**Note**

Total length for other variants on request.

# Linear drives ELGL-LAS, with air bearing and linear motor

Ordering data – Modular products

Ordering table						
Size	30	64	120	Condition s	Code	Enter code
<b>[M]</b> Module No.	<b>560753</b>	<b>560754</b>	<b>560755</b>			
Function	Electrical linear drive				<b>ELGL</b>	ELGL
Drive type	Linear motor				<b>-L</b>	-L
Motor technology	AC synchronous				<b>AS</b>	AS
Size [mm]	30				<b>-30</b>	
		64			<b>-64</b>	
			120		<b>-120</b>	
Stroke [mm]	1 ... 740	1 ... 1,750		<b>[1]</b>	<b>-...</b>	
Slide 1	Double coil system, 3 strings				<b>-S</b>	
	Triple coil system, 3 strings				<b>-M</b>	
	Quadruple coil system, 3 strings				<b>-L</b>	
<b>[O]</b> Slide 2	None					
	Double coil system, 3 strings				<b>-S</b>	
	Triple coil system, 3 strings				<b>-M</b>	
Slide 3	None					
	Double coil system, 3 strings				<b>-S</b>	
	Triple coil system, 3 strings				<b>-M</b>	
Slide 4	None					
	Double coil system, 3 strings				<b>-S</b>	
	Triple coil system, 3 strings				<b>-M</b>	
<b>[M]</b> Electrical connection	Angled plug, rotatable				<b>-R</b>	-R
	Encoder				<b>E</b>	E
	Serial bi-directional (BiSS)				<b>-B</b>	-B
<b>[O]</b> Mounting attachments	None					
	Foot mounting			<b>[2]</b>	<b>-F</b>	

**[1] Stroke** For sizes 64 and 120: 1,750 ... 5,750 mm on request

**[2] F** Can be selected with stator length < 500 mm

Transfer order code

# Linear drives ELGL-LAS, with air bearing and linear motor

Accessories

## Foot mounting EAHF

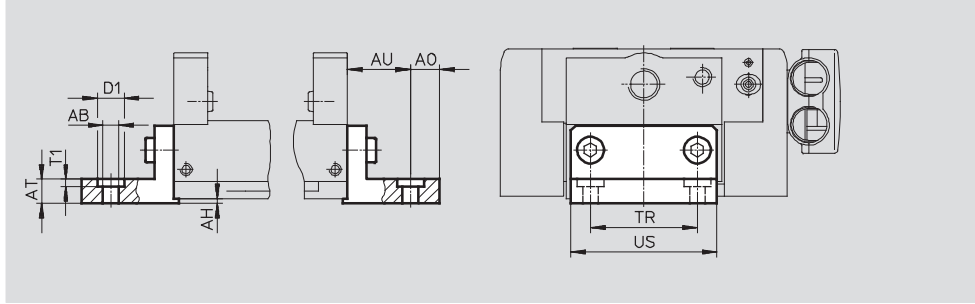
2 included in the scope of delivery

Material:

Aluminium

Contains PWIS (paint-wetting impairment substances)

RoHS-compliant



Dimensions and ordering data													
For size	AB	AH -0.1	A0	AT	AU	D1	T1	TR	US	CRC <sup>1)</sup>	Weight [g]	Part No.	Type
30	5.5	2	10	10	18	10	3	18	29	1	180	564252	EAHF-L1-30
64	6.5	2	12	10	26	11	3	44	60	1	400	564253	EAHF-L1-64
120	6.5	2	12	10	26	11	3	78	94	1	600	564254	EAHF-L1-120

1) Corrosion resistance class 1 as per Festo standard 940 070  
Components subject to low corrosion stress. Transport and storage protection. Parts that do not have primarily decorative surface requirements, e.g. in internal areas that are not visible or behind covers.

## Foot mounting EAHF-...-P

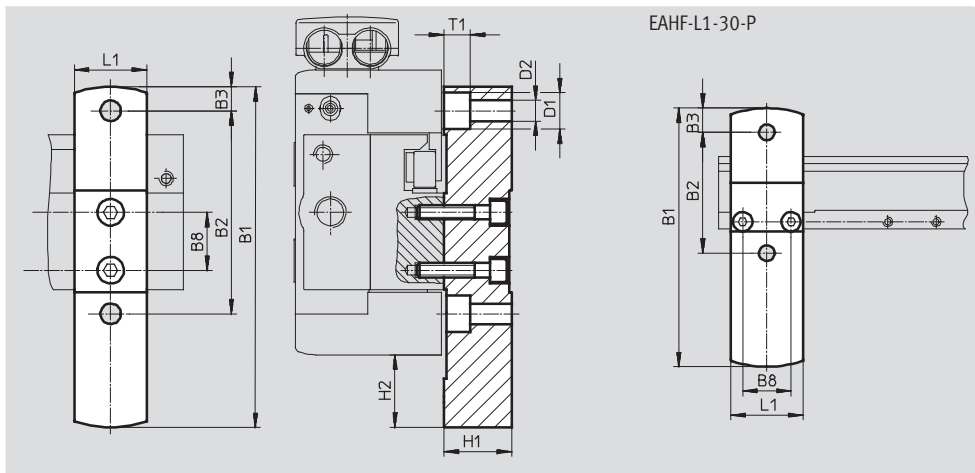
2 included in the scope of delivery

Material:

Aluminium

Contains PWIS (paint-wetting impairment substances)

RoHS-compliant



Dimensions and ordering data													
For size	B1	B2	B3	B8	D1	D2	H1 -0.01	H2	L1	CRC <sup>1)</sup>	Weight [g]	Part No.	Type
30	107	50	10	20	11	6.5	28	30	30	1	250	564246	EAHF-L1-30-P
64	141	84	10	24	15	8.5	28	30	30	1	310	564247	EAHF-L1-64-P
120	197	140	10	72	15	8.5	28	30	30	1	450	564248	EAHF-L1-120-P

1) Corrosion resistance class 1 as per Festo standard 940 070  
Components subject to low corrosion stress. Transport and storage protection. Parts that do not have primarily decorative surface requirements, e.g. in internal areas that are not visible or behind covers.

# Linear drives ELGL-LAS, with air bearing and linear motor

Accessories

## Adjustable foot mounting

EAHF-...-PJ

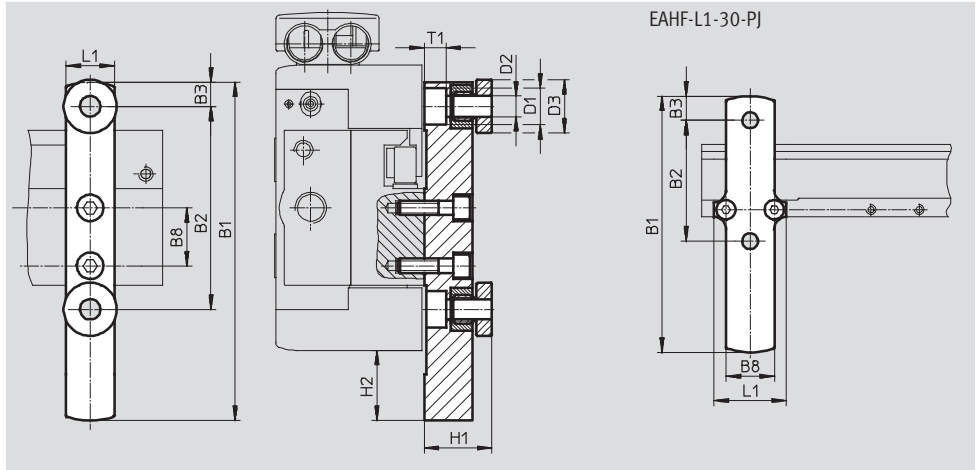
1 included in the scope of delivery

Material:

Aluminium

Contains PWIS (paint-wetting impairment substances)

RoHS-compliant



Dimensions and ordering data														
For size	B1	B2	B3	B8	D1	D2	D3	H1	H2	L1	CRC <sup>1)</sup>	Weight [g]	Part No.	Type
30	106	50	10	20	11	6.5	22	28	29	30	1	210	564249	EAHF-L1-30-PJ
64	140	84	10	24	15	8.5	22	28	29	20	1	230	564250	EAHF-L1-64-PJ
120	196	140	10	72	15	8.5	22	28	29	20	1	260	564251	EAHF-L1-120-PJ

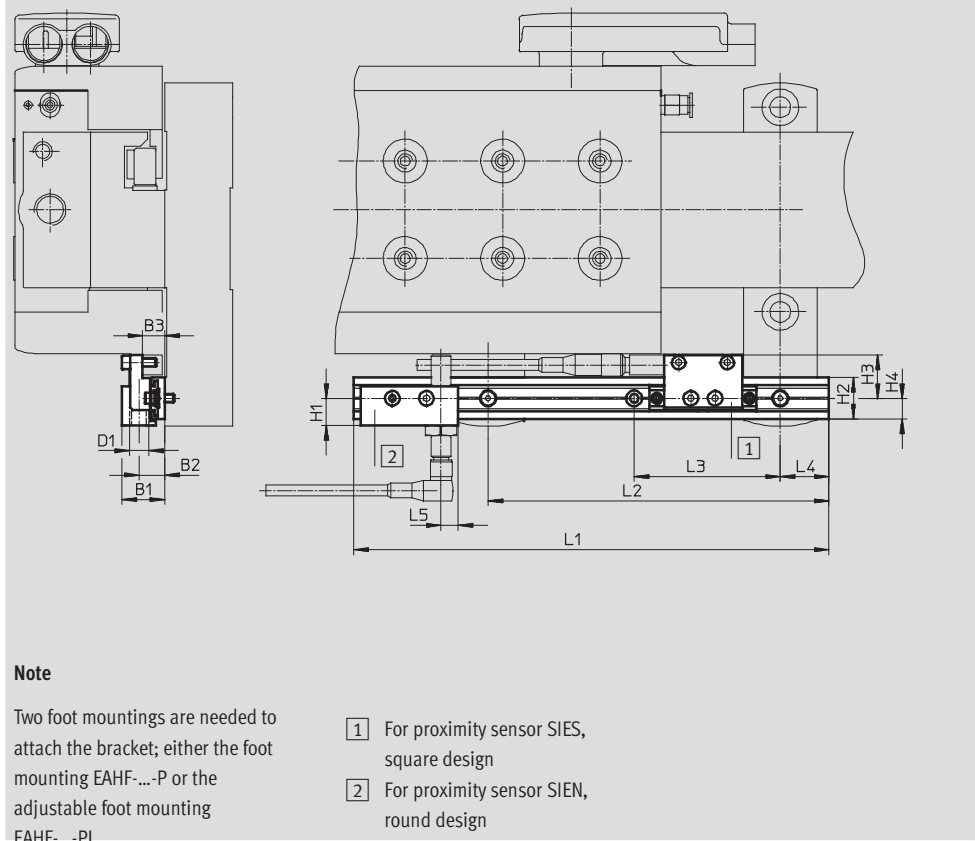
1) Corrosion resistance class 1 as per Festo standard 940 070  
 Components subject to low corrosion stress. Transport and storage protection. Parts that do not have primarily decorative surface requirements, e.g. in internal areas that are not visible or behind covers.

# Linear drives ELGL-LAS, with air bearing and linear motor

Accessories

## Sensor bracket EAPR

Material:  
Aluminium  
Contains PWIS (paint-wetting  
impairment substances)  
RoHS-compliant



**Note**

Two foot mountings are needed to attach the bracket; either the foot mounting EAHF-...-P or the adjustable foot mounting EAHF-...-PJ.

- 1 For proximity sensor SIES, square design
- 2 For proximity sensor SIEN, round design

**Dimensions and ordering data**

For size	B1	B2	B3	D1	H1	H2	H3	H4
30, 64, 120	17.5	10.5	9	M8	11.2	17	17.7	8.5

For size	L1	L2	L3	L4	L5	CRC <sup>1)</sup>	Weight [g]	Part No.	Type
30, 64, 120	195	140	60	20	7	1	75	564259	EAPR-L1-S

1) Corrosion resistance class 1 as per Festo standard 940 070  
Components subject to low corrosion stress. Transport and storage protection. Parts that do not have primarily decorative surface requirements, e.g. in internal areas that are not visible or behind covers.



# Linear drives ELGL-LAS, with air bearing and linear motor

Accessories

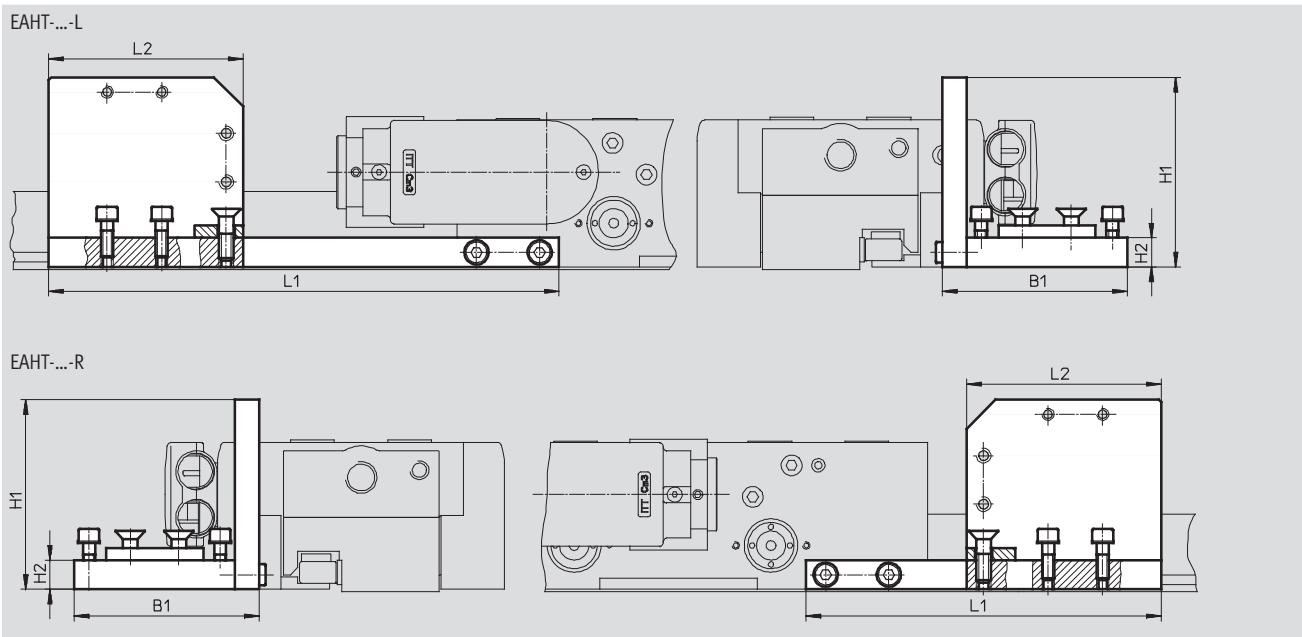
## Mounting kit EAHT

Material:

Aluminium

Contains PWIS (paint-wetting impairment substances)

RoHS-compliant



Dimensions and ordering data									
For size	B1	H1	H2	L1	L2	CRC <sup>1)</sup>	Weight [g]	Part No.	Type
For energy chain type: E6.29									
30, 64, 120	60	62	12	170	50	1	300	564255	EAHT-L1-E6-29-L
	60	62	12	105	50	1	300	564256	EAHT-L1-E6-29-R
For energy chain type: E6.40									
30, 64, 120	76	78	12	210	80	1	400	564257	EAHT-L1-E6-40-L
	76	78	12	146	80	1	400	564258	EAHT-L1-E6-40-R

1) Corrosion resistance class 1 as per Festo standard 940 070  
 Components subject to low corrosion stress. Transport and storage protection. Parts that do not have primarily decorative surface requirements, e.g. in internal areas that are not visible or behind covers.

# Linear drives ELGL-LAS, with air bearing and linear motor

Accessories

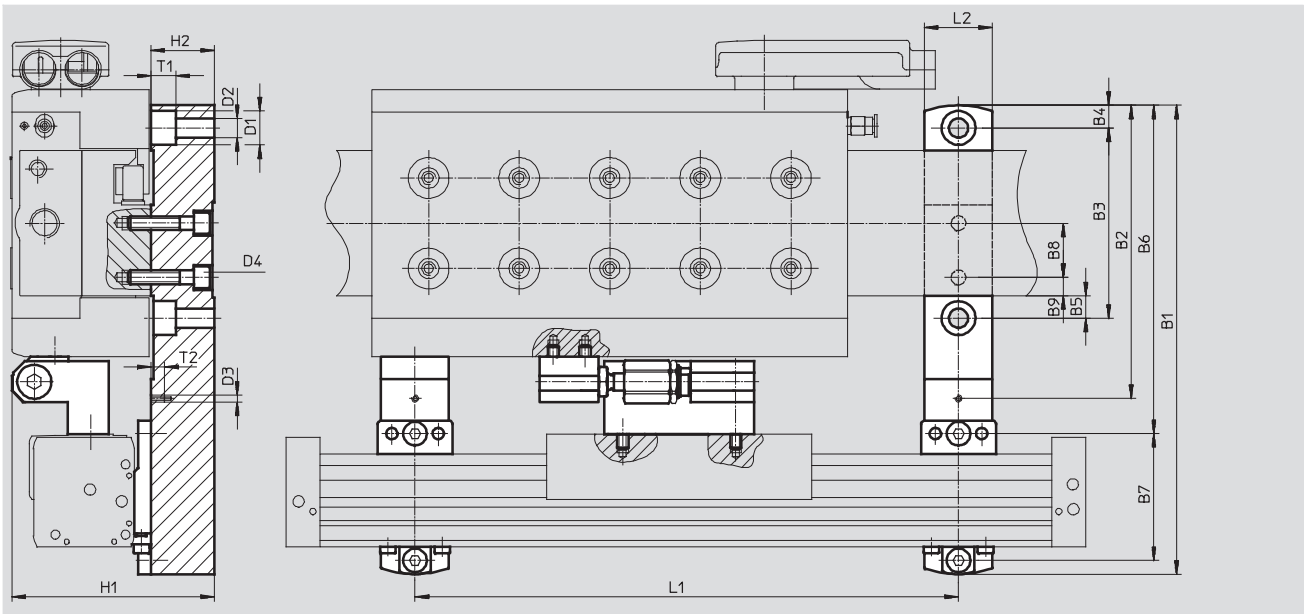
## Mounting kit EAHC

Material:

Aluminium

Contains PWIS (paint-wetting impairment substances)

RoHS-compliant



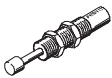

Dimensions and ordering data													
For size	B1	B2	B3	B4	B5	B6	B7	B8	B9	D1 Ø	D2 Ø	D3	D4
30	173	95.5	50	10	10	111	56	-	3	11	6.5	M3	M4
64	207	129.5	84	10	10	145	56	24	8	15	8.5	M3	M6
120	263	185.5	140	10	10	201	56	72	12	15	8.5	M3	M6

For size	H1	H2 -0.01	L1	L2	L3	T1	T2	CRC <sup>1)</sup>	Weight [g]	Part No.	Type
30	89.6	28	nx120	30	20	8	6	1	960	<b>564260</b>	<b>EAHC-L1-30</b>
64	89.6	28	nx120	30	-	11	6	1	1,100	<b>564261</b>	<b>EAHC-L1-64</b>
120	89.6	28	nx120	30	-	11	6	1	1,350	<b>564262</b>	<b>EAHC-L1-120</b>

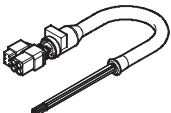
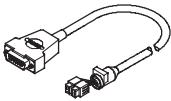
1) Corrosion resistance class 1 as per Festo standard 940 070  
Components subject to low corrosion stress. Transport and storage protection. Parts that do not have primarily decorative surface requirements, e.g. in internal areas that are not visible or behind covers.

# Linear drives ELGL-LAS, with air bearing and linear motor

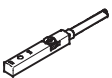
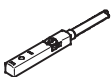
Accessories

Ordering data					
	For size	Comment	Part No.	Type	PU <sup>1)</sup>
Shock absorber YSRW			Technical data → Internet: ysrw		
	30	For avoiding damage at the end stop in the event of malfunction	191193	YSRW-7-10	1
	64, 120		191195	YSRW-10-17	
Centring sleeve ZBH					
	30, 64, 120	For slide	150927	ZBH-9	10

1) Packaging unit quantity









Ordering data – Cables					
	Brief description	Cable length [m]	Part No.	Type	
	Motor cable, for connecting motor and controller	5	550306	NEBM-T1G7-E-5-N-LE7	
		10	550307	NEBM-T1G7-E-10-N-LE7	
		15	550308	NEBM-T1G7-E-15-N-LE7	
		X length <sup>1)</sup>	550309	NEBM-T1G7-E- -N-LE7	
	Encoder cable, for connecting motor and controller	5	550314	NEBM-T1G8-E-5-N-S1G15	
		10	550315	NEBM-T1G8-E-10-N-S1G15	
		15	550316	NEBM-T1G8-E-15-N-S1G15	
		X length <sup>1)</sup>	550317	NEBM-T1G8-E- -N-S1G15	

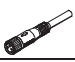

1) Max. 25 m



Ordering data – Proximity sensors, inductive						
	Type of mounting	Switching output	Electrical connection	Cable length [m]	Part No.	Type
N/O contact						
	Is screwed on via mounting attachment	PNP	Cable, 3-wire	2.5	178294	SIES-Q8B-PS-K-L
			Plug M8x1, 3-pin	0.3	178295	SIES-Q8B-PS-S-L
N/C contact						
	Is screwed on via mounting attachment	PNP	Cable, 3-wire	2.5	174552	SIES-Q8B-PO-K-L
			Plug M8x1, 3-pin	0.3	174553	SIES-Q8B-PO-S-L

# Linear drives ELGL-LAS, with air bearing and linear motor

Accessories

Ordering data – Inductive proximity sensors M8						Technical data → Internet: sien	
	Electrical connection		Switching output	LED	Cable length [m]	Part No.	Type
	Cable	Plug M8					
<b>N/O contact</b>							
	3-wire	–	PNP		2.5	<b>150386</b>	<b>SIEN-M8B-PS-K-L</b>
	–	3-pin	PNP		–	<b>150387</b>	<b>SIEN-M8B-PS-S-L</b>
<b>N/C contact</b>							
	3-wire	–	PNP		2.5	<b>150390</b>	<b>SIEN-M8B-PO-K-L</b>
	–	3-pin	PNP		–	<b>150391</b>	<b>SIEN-M8B-PO-S-L</b>

Ordering data – Connecting cables					Technical data → Internet: nebu	
	Electrical connection, left	Electrical connection, right	Cable length [m]	Part No.	Type	
	Straight socket, M8x1, 3-pin	Cable, open end, 3-wire	2.5	<b>541333</b>	<b>NEBU-M8G3-K-2.5-LE3</b>	
			5	<b>541334</b>	<b>NEBU-M8G3-K-5-LE3</b>	
	Angled socket, M8x1, 3-pin	Cable, open end, 3-wire	2.5	<b>541338</b>	<b>NEBU-M8W3-K-2.5-LE3</b>	
			5	<b>541341</b>	<b>NEBU-M8W3-K-5-LE3</b>	

Ordering data							
	For size	Connection		Description	Part No.	Type	PU <sup>1)</sup>
		Threaded	O.D.				
<b>Push-in fitting QSM</b>							
	30	M5	4	For connecting compressed air tubing with standard external diameters	<b>153304</b>	<b>QSM-M5-4</b>	10
	64-...-S	M5	4				
	64-...-M	M5	4				
	120-...-S	M5	4				
	120-...-M	M5	4				
	120-...-L	G1/8	6		<b>153307</b>	<b>QSM-1/8-6</b>	
<b>Blanking plug QSC-...H</b>							
	30	–	4	For closing off QS push-in connections	<b>153267</b>	<b>QSC-4H</b>	10
	64-...-S	–	4				
	64-...-M	–	4				
	120-...-S	–	4				
	120-...-M	–	4				
	120-...-L	–	6		<b>153268</b>	<b>QSC-6H</b>	

1) Packaging unit quantity

# Product Range and Company Overview

## A Complete Suite of Automation Services

Our experienced engineers provide complete support at every stage of your development process, including: conceptualization, analysis, engineering, design, assembly, documentation, validation, and production.



**Custom Automation Components**  
Complete custom engineered solutions



**Custom Control Cabinets**  
Comprehensive engineering support and on-site services



**Complete Systems**  
Shipment, stocking and storage services

## The Broadest Range of Automation Components

With a comprehensive line of more than 30,000 automation components, Festo is capable of solving the most complex automation requirements.



**Electromechanical**  
Electromechanical actuators, motors, controllers & drives



**Pneumatics**  
Pneumatic linear and rotary actuators, valves, and air supply



**PLCs and I/O Devices**  
PLC's, operator interfaces, sensors and I/O devices

## Supporting Advanced Automation... As No One Else Can!

Festo is a leading global manufacturer of pneumatic and electromechanical systems, components and controls for industrial automation, with more than 12,000 employees in 56 national headquarters serving more than 180 countries. For more than 80 years, Festo has continuously elevated the state of manufacturing with innovations and optimized motion control solutions that deliver higher performing, more profitable automated manufacturing and processing equipment. Our dedication to the advancement of automation extends beyond technology to the education and development of current and future automation and robotics designers with simulation tools, teaching programs, and on-site services.

## Quality Assurance, ISO 9001 and ISO 14001 Certifications

Festo Corporation is committed to supply all Festo products and services that will meet or exceed our customers' requirements in product quality, delivery, customer service and satisfaction.

To meet this commitment, we strive to ensure a consistent, integrated, and systematic approach to management that will meet or exceed the requirements of the ISO 9001 standard for Quality Management and the ISO 14001 standard for Environmental Management.



© Copyright 2008, Festo Corporation. While every effort is made to ensure that all dimensions and specifications are correct, Festo cannot guarantee that publications are completely free of any error, in particular typing or printing errors. Accordingly, Festo cannot be held responsible for the same. For Liability and Warranty conditions, refer to our "Terms and Conditions of Sale", available from your local Festo office. All rights reserved. No part of this publication may be reproduced, distributed, or transmitted in any form or by any means, electronic, mechanical, photocopying or otherwise, without the prior written permission of Festo. All technical data subject to change according to technical update.



Printed on recycled paper at New Horizon Graphic, Inc., FSC certified as an environmentally friendly printing plant.

# Festo North America

## Festo Regional Contact Center

5300 Explorer Drive  
Mississauga, Ontario L4W 5G4  
Canada

### USA Customers:

For ordering assistance,

**Call:** 1.800.99.FESTO (1.800.993.3786)

**Fax:** 1.800.96.FESTO (1.800.963.3786)

**Email:** [customer.service@us.festo.com](mailto:customer.service@us.festo.com)

For technical support,

**Call:** 1.866.GO.FESTO (1.866.463.3786)

**Fax:** 1.800.96.FESTO (1.800.963.3786)

**Email:** [product.support@us.festo.com](mailto:product.support@us.festo.com)

### Canadian Customers:

**Call:** 1.877.GO.FESTO (1.877.463.3786)

**Fax:** 1.877.FX.FESTO (1.877.393.3786)

**Email:** [festo.canada@ca.festo.com](mailto:festo.canada@ca.festo.com)

---

## USA Headquarters

Festo Corporation  
395 Moreland Road  
P.O. Box 18023  
Hauppauge, NY 11788, USA  
[www.festo.com/us](http://www.festo.com/us)

---

## USA Sales Offices

### Appleton

North 922 Tower View Drive, Suite N  
Greenville, WI 54942, USA

### Boston

120 Presidential Way, Suite 330  
Woburn, MA 01801, USA

### Chicago

1441 East Business Center Drive  
Mt. Prospect, IL 60056, USA

### Dallas

1825 Lakeway Drive, Suite 600  
Lewisville, TX 75057, USA

### Detroit – Automotive Engineering Center

2601 Cambridge Court, Suite 320  
Auburn Hills, MI 48326, USA

### New York

395 Moreland Road  
Hauppauge, NY 11788, USA

### Silicon Valley

4935 Southfront Road, Suite F  
Livermore, CA 94550, USA

## United States



**USA Headquarters, East:** Festo Corp., 395 Moreland Road, Hauppauge, NY 11788

Phone: 1.631.435.0800; Fax: 1.631.435.8026;

Email: [info@festo-usa.com](mailto:info@festo-usa.com)

[www.festo.com/us](http://www.festo.com/us)

## Canada



**Headquarters:** Festo Inc., 5300 Explorer Drive, Mississauga, Ontario L4W 5G4

Phone: 1.905.624.9000; Fax: 1.905.624.9001;

Email: [festo.canada@ca.festo.com](mailto:festo.canada@ca.festo.com)

[www.festo.ca](http://www.festo.ca)

## Mexico



**Headquarters:** Festo Pneumatic, S.A., Av. Ceylán 3, Col. Tequesquahuac,  
54020 Tlalneantla, Edo. de México

Phone: 011 52 [55] 53 21 66 00; Fax: 011 52 [55] 53 21 66 65;

Email: [festo.mexico@mx.festo.com](mailto:festo.mexico@mx.festo.com)

[www.festo.com/mx](http://www.festo.com/mx)

---

## Central USA

Festo Corporation  
1441 East Business  
Center Drive  
Mt. Prospect, IL 60056, USA  
Phone: 1.847.759.2600  
Fax: 1.847.768.9480



## Western USA

Festo Corporation  
4935 Southfront Road,  
Suite F  
Livermore, CA 94550, USA  
Phone: 1.925.371.1099  
Fax: 1.925.245.1286



---

## Festo Worldwide

Argentina Australia Austria Belarus Belgium Brazil Bulgaria Canada Chile China Colombia Croatia Czech Republic Denmark  
Estonia Finland France Germany Great Britain Greece Hong Kong Hungary India Indonesia Iran Ireland Israel Italy Japan Latvia  
Lithuania Malaysia Mexico Netherlands New Zealand Norway Peru Philippines Poland Romania Russia Serbia Singapore  
Slovakia Slovenia South Africa South Korea Spain Sweden Switzerland Taiwan Thailand Turkey Ukraine United States Venezuela

[www.festo.com](http://www.festo.com)