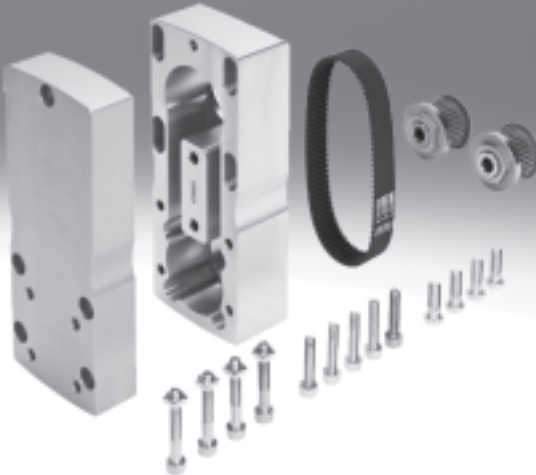


Parallel kits EAMM-U



Parallel kits EAMM-U

Key features

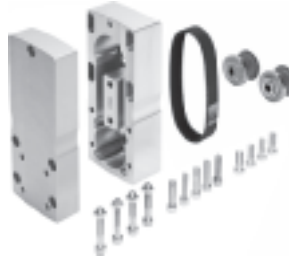
At a glance

Parallel kits EAMM-U



- Space-saving gravity die-cast housing

Parallel kits EAMM-U



- Increased housing rigidity
- More flexible motor mounting possible
- Larger toothed belt bending radii for improved service life
- Optionally with protection to IP65
- Use in combination with third-party motors on request

Counter bearing EAMG

The counter bearing cannot be used in combination with this parallel kit.

Counter bearing EAMG

→ 23



A counter bearing EAMG reduces the load on the axis or motor bearings to improve the service life under high loads. A clamping sleeve EAMH is additionally required for each counter bearing.

Clamping sleeve EAMH-...-P

The clamping sleeve cannot be used in combination with this parallel kit.

Clamping sleeve EAMH-...-P

→ 23



To retrofit the counter bearing, the clamping sleeve without trunnion included as standard in the parallel kit must be replaced by the clamping sleeve EAMH-...-P with integrated trunnion. The appropriate clamping sleeve size for the counter bearing is determined by the size of the parallel kit.

Clamping component EADT

The clamping component cannot be used in combination with this parallel kit.

Clamping component EADT

→ 24



For adjusting the toothed belt pretension with EAMM-U-110 and EAMM-U-145. The motor is pushed away from the axis mechanism by turning the clamping component secured in a hole in the housing (the motor can be moved in a slot for this purpose). This enables high toothed belt pretension forces to be generated with low torques at the clamping component.

Note

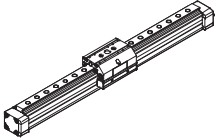
Depending on the combination of motor and drive, it may not be possible to reach the maximum feed force of the drive.

The respective no-load driving torque of the kit must be taken into consideration when using parallel kits.

Parallel kits EAMM-U

Product range overview

Permissible axis/motor combinations with spindle axis DGE-SP



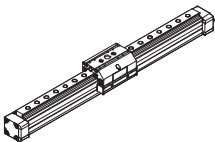
Properties of the kits

- Space-saving gravity die-cast housing



Motor Type	Parallel kit	
	Part No.	Type
DGE-25		
With servo motor		
EMMS-AS-55-...	543230	EAMM-U-E32-55A
With motor unit		
MTR-DCI-42S-...-G07	543228	EAMM-U-E32-42B
MTR-DCI-42S-...-G14	543229	EAMM-U-E32-42C
DGE-40		
With servo motor		
EMMS-AS-70-...	543234	EAMM-U-E48-70A
With motor unit		
MTR-DCI-52S-...-G07	543232	EAMM-U-E48-52B
MTR-DCI-52S-...-G14	543233	EAMM-U-E48-52C

Permissible axis/motor combinations with positioning axis DMES



Properties of the kits

- Space-saving gravity die-cast housing



Motor Type	Parallel kit	
	Part No.	Type
DMES-18		
With servo motor		
EMMS-AS-40-...	543226	EAMM-U-E24-40A
With motor unit		
MTR-DCI-32S-...	543225	EAMM-U-E24-32B
DMES-25		
With servo motor		
EMMS-AS-55-...	543230	EAMM-U-E32-55A
With motor unit		
MTR-DCI-42S-...-G7	543228	EAMM-U-E32-42B
MTR-DCI-42S-...-G14	543229	EAMM-U-E32-42C
DMES-40		
With servo motor		
EMMS-AS-70-...	543234	EAMM-U-E48-70A
With motor unit		
MTR-DCI-52S-...-G7	543232	EAMM-U-E48-52B
MTR-DCI-52S-...-G14	543233	EAMM-U-E48-52C

Note

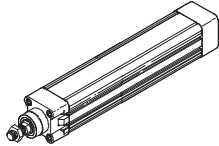
At ambient temperatures below room temperature, the frictional torques increase in the case of the DMES-...-GF (plain-bearing guide).

Parallel kits EAMM-U

Product range overview



Permissible axis/motor combinations with electric cylinder DNCE



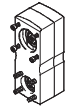
Properties of the kits

- Space-saving gravity die-cast housing



Properties of the kits

- Increased housing rigidity
- More flexible motor mounting possible
- Larger toothed belt bending radii for improved service life
- Use in combination with third-party motors on request



Motor	Parallel kit	
Type	Part No.	Type
DNCE-32		
With servo motor		
EMMS-AS-40-...	543150	EAMM-U-D32-40A
With motor unit		
MTR-DCI-32S-...	543152	EAMM-U-D32-32B
DNCE-40		
With servo motor		
EMMS-AS-55-...	543157	EAMM-U-D40-55A
With motor unit		
MTR-DCI-42S-...-G7	543159	EAMM-U-D40-42B
MTR-DCI-42S-...-G14	543160	EAMM-U-D40-42C
DNCE-63		
With servo motor		
EMMS-AS-70-...	543165	EAMM-U-D60-70A
With motor unit		
MTR-DCI-52S-...-G7	543167	EAMM-U-D60-52B
MTR-DCI-52S-...-G14	543168	EAMM-U-D60-52C

Motor/gear unit	Parallel kit	
Type	Part No.	Type
DNCE-32		
With servo motor		
EMMS-AS-40-...	1201591	EAMM-U-50-D32-40A-78
	1202302	EAMM-U-50-D32-40A-78-S1 ¹⁾
EMMS-AS-55-...	1210126	EAMM-U-60-D32-55A-91
	1210450	EAMM-U-60-D32-55A-91-S1 ¹⁾
With stepper motor		
EMMS-ST-42-...	1201607	EAMM-U-50-D32-42A-78
	1202312	EAMM-U-50-D32-42A-78-S1 ¹⁾
EMMS-ST-57-...	1210419	EAMM-U-60-D32-57A-91
	1210453	EAMM-U-60-D32-57A-91-S1 ¹⁾
With motor unit		
MTR-DCI-32S-...	1570862	EAMM-U-50-D32-32B-78
MTR-DCI-42S-...	1577393	EAMM-U-60-D32-42B/C-91
	1577380	EAMM-U-60-D32-42B/C-91-S1 ¹⁾
With gear unit ²⁾		
EMGA-40-P-...	1577358	EAMM-U-60-D32-40G-91
	1577346	EAMM-U-60-D32-40G-91-S1 ¹⁾
DNCE-40		
With servo motor		
EMMS-AS-55-...	1210438	EAMM-U-60-D40-55A-91
	1210458	EAMM-U-60-D40-55A-91-S1 ¹⁾
EMMS-AS-70-...	1212826	EAMM-U-86-D40-70A-102
	1212854	EAMM-U-86-D40-70A-102-S1 ¹⁾
With stepper motor		
EMMS-ST-57-...	1210442	EAMM-U-60-D40-57A-91
	1210462	EAMM-U-60-D40-57A-91-S1 ¹⁾
EMMS-ST-87-...	1215802	EAMM-U-86-D40-87A-102
	1215814	EAMM-U-86-D40-87A-102-S1 ¹⁾
With motor unit		
MTR-DCI-42S-...	1570950	EAMM-U-60-D40-42B/C-91
	1430735	EAMM-U-60-D40-42B/C-91-S1 ¹⁾
MTR-DCI-52S-...	1537046	EAMM-U-86-D40-52B/C-102
	1537011	EAMM-U-86-D40-52B/C-102-S1 ¹⁾

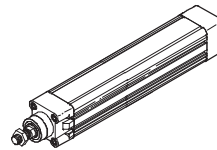
1) With protection class IP65.

2) The output torque at the gear unit output must be less than the transferable torque of the kit.

Parallel kits EAMM-U

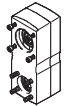
Product range overview

Permissible axis/motor combinations with electric cylinder DNCE



Properties of the kits

- Increased housing rigidity
- More flexible motor mounting possible
- Larger toothed belt bending radii for improved service life
- Use in combination with third-party motors on request



Motor/gear unit	Parallel kit	
Type	Part No.	Type
DNCE-40		
With gear unit ²⁾		
EMGA-40-P-...	1577165	EAMM-U-60-D40-40G-91
	1435968	EAMM-U-60-D40-40G-91-S1 ¹⁾
EMGA-60-P-... ³⁾	1586445	EAMM-U-86-D40-60G-102
	1586429	EAMM-U-86-D40-60G-102-S1 ¹⁾
EMGC-60-P-... ³⁾	1586496	EAMM-U-86-D40-60H-102
	1586372	EAMM-U-86-D40-60H-102-S1 ¹⁾
DNCE-63		
With servo motor		
EMMS-AS-70-...	1212477	EAMM-U-86-D60-70A-102
	1212835	EAMM-U-86-D60-70A-102-S1 ¹⁾
EMMS-AS-100-...	1202436	EAMM-U-110-D60-100A-120
	1203112	EAMM-U-110-D60-100A-120-S1 ¹⁾
With stepper motor		
EMMS-ST-87-...	1215784	EAMM-U-86-D60-87A-102
	1215810	EAMM-U-86-D60-87A-102-S1 ¹⁾
With motor unit		
MTR-DCI-52S-...	1537000	EAMM-U-86-D60-52B/C-102
	1431381	EAMM-U-86-D60-52B/C-102-S1 ¹⁾
MTR-DCI-62S-...	1536988	EAMM-U-110-D60-62B-120
	1431443	EAMM-U-110-D60-62B-120-S1 ¹⁾
With gear unit ²⁾		
EMGA-60-P-... ³⁾	1586347	EAMM-U-86-D60-60G-102
	1437163	EAMM-U-86-D60-60G-102-S1 ¹⁾
EMGC-60-P-... ³⁾	1586276	EAMM-U-86-D60-60H-102
	1530837	EAMM-U-86-D60-60H-102-S1 ¹⁾
EMGA-60-P-... ³⁾	1543240	EAMM-U-110-D60-60G-120
	1436183	EAMM-U-110-D60-60G-120-S1 ¹⁾
EMGC-60-P-... ³⁾	1542264	EAMM-U-110-D60-60H-120
	1530621	EAMM-U-110-D60-60H-120-S1 ¹⁾
EMGA-80-P-...	1532949	EAMM-U-110-D60-80G-120
	1530875	EAMM-U-110-D60-80G-120-S1 ¹⁾

1) With protection class IP65.

2) The output torque at the gear unit output must be less than the transferable torque of the kit.

3) Gear unit drive shaft \varnothing : EMGA-60: 11 mm, EMGC-60: 14 mm.

Note

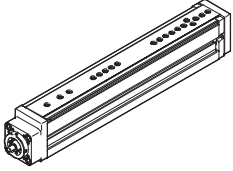
Clamping component EADT for adjusting the toothed belt pretension with EAMM-U-110 → 24

Parallel kits EAMM-U

Product range overview

FESTO

Permissible axis/motor combinations with mini slide EGSL



Properties of the kits

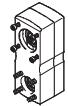
- Space-saving gravity die-cast housing



Motor	Parallel kit	
Type	Part No.	Type
EGSL-45		
With servo motor		
EMMS-AS-40-...	543150	EAMM-U-D32-40A
EGSL-55		
With servo motor		
EMMS-AS-55-...	543157	EAMM-U-D40-55A
EGSL-75		
With servo motor		
EMMS-AS-70-...	543165	EAMM-U-D60-70A

Properties of the kits

- Increased housing rigidity
- More flexible motor mounting possible
- Larger toothed belt bending radii for improved service life
- Use in combination with third-party motors on request



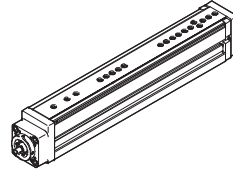
Motor/gear unit	Parallel kit	
Type	Part No.	Type
EGSL-45		
With servo motor		
EMMS-AS-40-...	1201591	EAMM-U-50-D32-40A-78
EMMS-AS-55-...	1210126	EAMM-U-60-D32-55A-91
With stepper motor		
EMMS-ST-42-...	1201607	EAMM-U-50-D32-42A-78
EMMS-ST-57-...	1210419	EAMM-U-60-D32-57A-91
With motor unit		
MTR-DCI-32S-...	1570862	EAMM-U-50-D32-32B-78
MTR-DCI-42S-...	1577393	EAMM-U-60-D32-42B/C-91
With gear unit ¹⁾		
EMGA-40-P-...	1577358	EAMM-U-60-D32-40G-91
EGSL-55		
With servo motor		
EMMS-AS-55-...	1210438	EAMM-U-60-D40-55A-91
EMMS-AS-70-...	1212826	EAMM-U-86-D40-70A-102
With stepper motor		
EMMS-ST-57-...	1210442	EAMM-U-60-D40-57A-91
EMMS-ST-87-...	1215802	EAMM-U-86-D40-87A-102
With motor unit		
MTR-DCI-42S-...	1570950	EAMM-U-60-D40-42B/C-91
MTR-DCI-52S-...	1537046	EAMM-U-86-D40-52B/C-102
With gear unit ¹⁾		
EMGA-40-P-...	1577165	EAMM-U-60-D40-40G-91
EMGA-60-P-... ²⁾	1586445	EAMM-U-86-D40-60G-102
EMGC-60-P-... ²⁾	1586496	EAMM-U-86-D40-60H-102

- 1) The output torque at the gear unit output must be less than the transferable torque of the kit.
 2) Gear unit drive shaft \varnothing : EMGA-60: 11 mm, EMGC-60: 14 mm.

Parallel kits EAMM-U

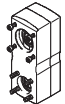
Product range overview

Permissible axis/motor combinations with mini slide EGSL



Properties of the kits

- Increased housing rigidity
- More flexible motor mounting possible
- Larger toothed belt bending radii for improved service life
- Use in combination with third-party motors on request



Motor/gear unit	Parallel kit	
Type	Part No.	Type
EGSL-75		
With servo motor		
EMMS-AS-70-...	1212477	EAMM-U-86-D60-70A-102
EMMS-AS-100-...	1202436	EAMM-U-110-D60-100A-120
With stepper motor		
EMMS-ST-87-...	1215784	EAMM-U-86-D60-87A-102
With motor unit		
MTR-DCI-52S-...	1537000	EAMM-U-86-D60-52B/C-102
MTR-DCI-62S-...	1536988	EAMM-U-110-D60-62B-120
With gear unit ¹⁾		
EMGA-60-P-... ²⁾	1586347	EAMM-U-86-D60-60G-102
EMGC-60-P-... ²⁾	1586276	EAMM-U-86-D60-60H-102
EMGA-60-P-... ²⁾	1543240	EAMM-U-110-D60-60G-120
EMGC-60-P-... ²⁾	1542264	EAMM-U-110-D60-60H-120
EMGA-80-P-...	1532949	EAMM-U-110-D60-80G-120

- 1) The output torque at the gear unit output must be less than the transferable torque of the kit.
 2) Gear unit drive shaft \varnothing : EMGA-60: 11 mm, EMGC-60: 14 mm.

Note

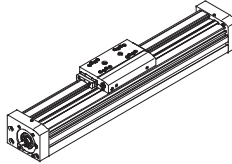
Clamping component EADT for adjusting the toothed belt pretension with EAMM-U-110 → 24

Parallel kits EAMM-U

Product range overview

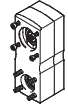


Permissible axis/motor combinations with spindle axis EGC-BS



Properties of the kits

- Increased housing rigidity
- More flexible motor mounting possible
- Larger toothed belt bending radii for improved service life
- Use in combination with third-party motors on request



Motor	Parallel kit	
Type	Part No.	Type
EGC-70-...-BS		
With servo motor		
EMMS-AS-40-...	1217708	EAMM-U-50-S38-40A-78
EMMS-AS-55-...	1218538	EAMM-U-60-S38-55A-91
With stepper motor		
EMMS-ST-42-...	1217945	EAMM-U-50-S38-42A-78
EMMS-ST-57-...	1218568	EAMM-U-60-S38-57A-91
EGC-80-...-BS		
With servo motor		
EMMS-AS-55-...	1219370	EAMM-U-60-S48-55A-91 ¹⁾
EMMS-AS-70-...	1217689	EAMM-U-86-S48-70A-102 ¹⁾
With stepper motor		
EMMS-ST-57-...	1219379	EAMM-U-60-S48-57A-91 ¹⁾
EMMS-ST-87-...	1217604	EAMM-U-86-S48-87A-177 ¹⁾
With gear unit ²⁾		
EMGA-60-P-... ³⁾	1587251	EAMM-U-86-S48-60G-102 ¹⁾
EMGC-60-P-... ³⁾	1587338	EAMM-U-86-S48-60H-102 ¹⁾
EGC-120-...-BS		
With servo motor		
EMMS-AS-70-...	1217543	EAMM-U-86-S62-70A-177 ¹⁾
EMMS-AS-100-...	1217381	EAMM-U-110-S62-100A-207 ¹⁾
EMMS-AS-140-...	1219440	EAMM-U-145-S62-140A-288 ¹⁾
With stepper motor		
EMMS-ST-87-...	1217373	EAMM-U-86-S62-87A-177 ¹⁾
With gear unit ²⁾		
EMGA-60-P-... ³⁾	1587411	EAMM-U-86-S62-60G-177 ¹⁾
EMGC-60-P-... ³⁾	1587453	EAMM-U-86-S62-60H-177 ¹⁾
EGC-185-...-BS		
With servo motor		
EMMS-AS-100-...	1220656	EAMM-U-110-S95-100A-207 ¹⁾
EMMS-AS-140-...	1220582	EAMM-U-145-S95-140A-288 ¹⁾
With gear unit ²⁾		
EMGA-80-P-...	1589544	EAMM-U-110-S95-80G-207 ¹⁾

- 1) These parallel kits include a counter bearing EAMG for supporting the axis shaft.
- 2) The output torque at the gear unit output must be less than the transferable torque of the kit.
- 3) Gear unit drive shaft \varnothing : EMGA-60: 11 mm, EMGC-60: 14 mm.

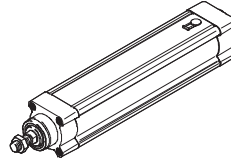
Note

Clamping component EADT for adjusting the toothed belt pretension with EAMM-U-110 and EAMM-U-145 → 24

Parallel kits EAMM-U

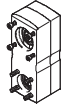
Product range overview

Permissible axis/motor combinations with electric cylinder ESBF



Properties of the kits

- Increased housing rigidity
- More flexible motor mounting possible
- Larger toothed belt bending radii for improved service life
- Use in combination with third-party motors on request



Motor	Parallel kit	
Type	Part No.	Type
ESBF-63		
With servo motor		
EMMS-AS-70-...	1212477	EAMM-U-86-D60-70A-102
	1212835	EAMM-U-86-D60-70A-102-S1 ¹⁾
EMMS-AS-100-...	1202436	EAMM-U-110-D60-100A-120
	1203112	EAMM-U-110-D60-100A-120-S1 ¹⁾
With gear unit ²⁾		
EMGA-60-P-... ³⁾	1586347	EAMM-U-86-D60-60G-102
	1437163	EAMM-U-86-D60-60G-102-S1 ¹⁾
EMGC-60-P-... ³⁾	1586276	EAMM-U-86-D60-60H-102
	1530837	EAMM-U-86-D60-60H-102-S1 ¹⁾
EMGA-60-P-... ³⁾	1543240	EAMM-U-110-D60-60G-120
	1436183	EAMM-U-110-D60-60G-120-S1 ¹⁾
EMGC-60-P-... ³⁾	1542264	EAMM-U-110-D60-60H-120
	1530621	EAMM-U-110-D60-60H-120-S1 ¹⁾
EMGA-80-P-...	1532949	EAMM-U-110-D60-80G-120
	1530875	EAMM-U-110-D60-80G-120-S1 ¹⁾
ESBF-80		
With servo motor		
EMMS-AS-100-...	1465438	EAMM-U-110-D80-100A-120
	1433650	EAMM-U-110-D80-100A-120-S1 ¹⁾
EMMS-AS-140-...	1465530	EAMM-U-145-D80-140A-188
	1433709	EAMM-U-145-D80-140A-188-S1 ¹⁾
With gear unit ²⁾		
EMGA-80-P-...	1589614	EAMM-U-110-D80-80G-120
	1589706	EAMM-U-110-D80-80G-120-S1 ¹⁾
ESBF-100		
With servo motor		
EMMS-AS-140-...	1465541	EAMM-U-145-D100-140A-188
	1433852	EAMM-U-145-D100-140A-188-S1 ¹⁾

1) With protection class IP65.

2) The output torque at the gear unit output must be less than the transferable torque of the kit.

3) Gear unit drive shaft \varnothing : EMGA-60: 11 mm, EMGC-60: 14 mm.

Note

Clamping component EADT for adjusting the toothed belt pretension with EAMM-U-110 and EAMM-U-145 → 24

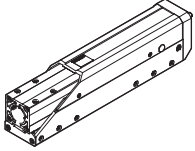
- 1 - Type discontinued EGSA
Available up until 2013

FESTO

Parallel kits EAMM-U

Product range overview

Permissible axis/motor combinations with cantilever axis EGSA



Properties of the kits

- Space-saving machined housing

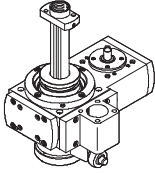


Motor	Parallel kit	
Type	Part No.	Type
EGSA-50		
With servo motor		
EMMS-AS-40-...	559785	EAMM-U-A19-40A
EGSA-60		
With servo motor		
EMMS-AS-55-...	559786	EAMM-U-A22-55A
EMMS-AS-70-...	559787	EAMM-U-A22-70A

Parallel kits EAMM-U

Product range overview

Permissible axis/motor combinations with rotary/lifting module EHMB for linear motion



Properties of the kits

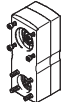
- Space-saving gravity die-cast housing



Motor	Parallel kit	
Type	Part No.	Type
EHMB-20/-25 with DNCE-32 for linear motion		
With servo motor		
EMMS-AS-40-...	543150	EAMM-U-D32-40A
With motor unit		
MTR-DCI-32S-...	543152	EAMM-U-D32-32B
EHMB-32 with DNCE-40 for linear motion		
With servo motor		
EMMS-AS-55-...	543157	EAMM-U-D40-55A
With motor unit		
MTR-DCI-42S-...-G7	543159	EAMM-U-D40-42B
MTR-DCI-42S-...-G14	543160	EAMM-U-D40-42C

Properties of the kits

- Increased housing rigidity
- More flexible motor mounting possible
- Larger toothed belt bending radii for improved service life
- Use in combination with third-party motors on request



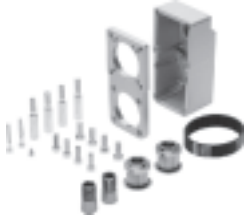
Motor	Parallel kit	
Type	Part No.	Type
EHMB-20/-25 with DNCE-32 for linear motion		
With servo motor		
EMMS-AS-40-...	1201591	EAMM-U-50-D32-40A-78 ¹⁾
EMMS-AS-55-...	1210126	EAMM-U-60-D32-55A-91 ²⁾
With stepper motor		
EMMS-ST-42-...	1201607	EAMM-U-50-D32-42A-78 ¹⁾
EMMS-ST-57-...	1210419	EAMM-U-60-D32-57A-91 ²⁾
With motor unit		
MTR-DCI-32S-...	1570862	EAMM-U-50-D32-32B-78 ¹⁾
MTR-DCI-42S-...	1577393	EAMM-U-60-D32-42B/C-91 ²⁾
EHMB-32 with DNCE-40 for linear motion		
With servo motor		
EMMS-AS-55-...	1210438	EAMM-U-60-D40-55A-91
EMMS-AS-70-...	1212826	EAMM-U-86-D40-70A-102 ¹⁾
With stepper motor		
EMMS-ST-57-...	1210442	EAMM-U-60-D40-57A-91
EMMS-ST-87-...	1215802	EAMM-U-86-D40-87A-102 ¹⁾
With motor unit		
MTR-DCI-42S-...	1570950	EAMM-U-60-D40-42B/C-91
MTR-DCI-52S-...	1537046	EAMM-U-86-D40-52B/C-102 ¹⁾

- The parallel kit cannot be operated in combination with the cover EASC-H1 in all attachment positions.
- The parallel kit cannot be operated in combination with the cover EASC-H1.

Parallel kits EAMM-U

Type codes

Properties of the kits



- Space-saving gravity die-cast housing

EAMM		U	D32	40A
Type				
EAMM	Kit			
Motor configuration				
U	Parallel			
Axis mechanism interface				
Motor interface				

Properties of the kits



- Increased housing rigidity
- More flexible motor mounting possible
- Larger toothed belt bending radii for improved service life
- Optionally with protection to IP65
- Use in combination with third-party motors on request

EAMM		U	50	D32	40A	78
Type						
EAMM	Kit					
Motor configuration						
U	Parallel					
Size						
Axis mechanism interface						
Motor interface						
Centre distance						
Special design						
S1	Protection class IP65					

Parallel kits EAMM-U

Technical data

Properties:

- Space-saving gravity die-cast housing

Materials:

Housing: Gravity die-cast aluminium
Clamping component, clamping sleeve, toothed belt pulley: Corrosion-resistant steel
Toothed belt: Polychloroprene
Screws: Galvanised steel



General technical data									
Type	For axis	Transferable torque [Nm]	Mass moment of inertia [kgmm ²]	Max. rotational speed [rpm]	No-load driving torque [Nm]	Weight [g]	Protection class ¹⁾	→ Page	
EAMM-U-A19-40A	EGSA	1	2.87	6,000	0.05	270	IP40	22	
EAMM-U-A22-55A	EGSA	3	9.63	4,000	0.1	410	IP40		
EAMM-U-A22-70A	EGSA	5.5	10.1	4,000	0.2	540	IP40		
EAMM-U-D32-32B	DNCE	1	2.93	6,000	0.05	300	IP40	17	
EAMM-U-D32-40A	DNCE, EGSL	1	2.93	6,000	0.05	300	IP40		
EAMM-U-D40-42B	DNCE	3	10.0	5,000	0.1	660	IP40		
EAMM-U-D40-42C	DNCE	3	10.0	5,000	0.1	690	IP40		
EAMM-U-D40-55A	DNCE, EGSL	3	10.0	5,000	0.1	530	IP40		
EAMM-U-D60-52B	DNCE	5.5	70.5	4,000	0.3	1,530	IP40		
EAMM-U-D60-52C	DNCE	5.5	70.5	4,000	0.3	1,630	IP40		
EAMM-U-D60-70A	DNCE, EGSL	5.5	70.5	4,000	0.3	1,170	IP40		
EAMM-U-E24-32B	DMES	1	3.02	3,000	0.05	240	IP40		16
EAMM-U-E24-40A	DMES	1	3.02	3,000	0.05	240	IP40		
EAMM-U-E32-42B	DGE-SP, DMES	3	10.2	3,000	0.1	660	IP40		
EAMM-U-E32-42C	DGE-SP, DMES	3	10.2	3,000	0.1	690	IP40		
EAMM-U-E32-55A	DGE-SP, DMES	3	10.2	3,000	0.1	540	IP40		
EAMM-U-E48-52B	DGE-SP, DMES	5.5	71.1	3,000	0.3	1,700	IP40		
EAMM-U-E48-52C	DGE-SP, DMES	5.5	71.1	3,000	0.3	1,800	IP40		
EAMM-U-E48-70A	DGE-SP, DMES	5.5	71.1	3,000	0.3	1,300	IP40		

1) Only in combination with attached motor and axis.

Operating and environmental conditions		
Ambient temperature	[°C]	0 ... +50
Storage temperature	[°C]	-25 ... +60
Relative air humidity	[%]	0 ... 95
Corrosion resistance class CRC ²⁾		1
Note on materials		Contains PWIS (paint-wetting impairment substances)
		Conforms to RoHS

2) Corrosion resistance class 1 according to Festo standard 940 070
Components subject to low corrosion stress. Transport and storage protection. Parts that do not have primarily decorative surface requirements, e.g. in internal areas that are not visible or behind covers.

Parallel kits EAMM-U

Technical data

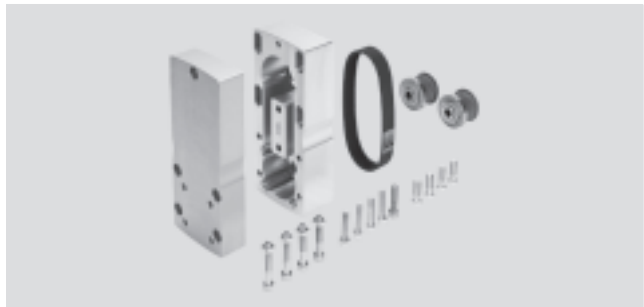


Properties:

- Increased housing rigidity
- More flexible motor mounting possible
- Larger toothed belt bending radii for improved service life
- Optionally with protection to IP65
- Use in combination with third-party motors on request

Materials:

- Housing: Wrought aluminium alloy
 Clamping sleeve, toothed belt pulley: Corrosion-resistant steel
 Toothed belt: Polychloroprene
 Screws: Galvanised steel



General technical data								
Type	For axis	Transferable torque [Nm]	Mass moment of inertia [kgmm ²]	Max. rotational speed [rpm]	No-load driving torque [Nm]	Weight [g]	Protection class ¹⁾	→ Page
EAMM-U-50-D32-32B-78	DNCE, EGSL	1	12.1	6,000	0.01	608	IP40	18
EAMM-U-50-D32-40A-78	DNCE, EGSL	1	12.1	6,000	0.01	600	IP40	
EAMM-U-50-D32-40A-78-S1	DNCE, EGSL	1	12.1	6,000	0.01	620	IP65	
EAMM-U-50-D32-42A-78	DNCE, EGSL	1	12.1	6,000	0.01	610	IP40	
EAMM-U-50-D32-42A-78-S1	DNCE, EGSL	1	12.1	6,000	0.01	630	IP65	
EAMM-U-50-S38-40A-78	EGC-BS	1	12.1	6,000	0.01	580	IP40	20
EAMM-U-50-S38-42A-78	EGC-BS	1	12.1	6,000	0.01	590	IP40	
EAMM-U-60-D32-40G-91	DNCE, EGSL	3	26.7	6,000	0.07	1,100	IP40	18
EAMM-U-60-D32-40G-91-S1	DNCE, EGSL	3	26.7	6,000	0.07	1,140	IP65	
EAMM-U-60-D32-42B/C-91	DNCE, EGSL	3	26.7	6,000	0.07	1,100	IP40	
EAMM-U-60-D32-42B/C-91-S1	DNCE, EGSL	3	26.7	6,000	0.07	1,140	IP65	
EAMM-U-60-D32-55A-91	DNCE, EGSL	3	26.7	6,000	0.07	1,050	IP40	
EAMM-U-60-D32-55A-91-S1	DNCE, EGSL	3	26.7	6,000	0.07	1,100	IP65	
EAMM-U-60-D32-57A-91	DNCE, EGSL	3	26.7	6,000	0.07	1,160	IP40	
EAMM-U-60-D32-57A-91-S1	DNCE, EGSL	3	26.7	6,000	0.07	1,190	IP65	
EAMM-U-60-D40-40G-91	DNCE, EGSL	3	26.7	6,000	0.07	1,080	IP40	
EAMM-U-60-D40-40G-91-S1	DNCE, EGSL	3	26.7	6,000	0.07	1,130	IP65	
EAMM-U-60-D40-42B/C-91	DNCE, EGSL	3	26.7	6,000	0.07	1,080	IP40	
EAMM-U-60-D40-42B/C-91-S1	DNCE, EGSL	3	26.7	6,000	0.07	1,130	IP65	
EAMM-U-60-D40-55A-91	DNCE, EGSL	3	26.7	6,000	0.07	1,040	IP40	
EAMM-U-60-D40-55A-91-S1	DNCE, EGSL	3	26.7	6,000	0.07	1,080	IP65	
EAMM-U-60-D40-57A-91	DNCE, EGSL	3	26.7	6,000	0.07	1,140	IP40	
EAMM-U-60-D40-57A-91-S1	DNCE, EGSL	3	26.7	6,000	0.07	1,170	IP65	
EAMM-U-60-S38-55A-91	EGC-BS	3	26.7	6,000	0.07	990	IP40	20
EAMM-U-60-S38-57A-91	EGC-BS	3	26.7	6,000	0.07	1,090	IP40	
EAMM-U-60-S48-55A-91	EGC-BS	3	26.7	6,000	0.07	1,060	IP40	
EAMM-U-60-S48-57A-91	EGC-BS	3	26.7	6,000	0.07	1,160	IP40	
EAMM-U-86-D40-52B/C-102	DNCE, EGSL	9.5	175	5,000	0.25	2,520	IP40	18
EAMM-U-86-D40-52B/C-102-S1	DNCE, EGSL	9.5	175	5,000	0.25	2,540	IP65	
EAMM-U-86-D40-60G-102	DNCE, EGSL	9.5	175	5,000	0.25	2,480	IP40	
EAMM-U-86-D40-60G-102-S1	DNCE, EGSL	9.5	175	5,000	0.25	2,500	IP65	
EAMM-U-86-D40-60H-102	DNCE, EGSL	9.5	175	5,000	0.25	2,480	IP40	
EAMM-U-86-D40-60H-102-S1	DNCE, EGSL	9.5	175	5,000	0.25	2,500	IP65	
EAMM-U-86-D40-70A-102	DNCE, EGSL	9.5	175	5,000	0.25	2,450	IP40	
EAMM-U-86-D40-70A-102-S1	DNCE, EGSL	9.5	175	5,000	0.25	2,460	IP65	
EAMM-U-86-D40-87A-102	DNCE, EGSL	9.5	175	5,000	0.25	2,510	IP40	
EAMM-U-86-D40-87A-102-S1	DNCE, EGSL	9.5	175	5,000	0.25	2,530	IP65	

1) Only in combination with attached motor and axis.

Parallel kits EAMM-U

Technical data

FESTO

General technical data								→ Page
Type	For axis	Transferable torque [Nm]	Mass moment of inertia [kgmm ²]	Max. rotational speed [rpm]	No-load driving torque [Nm]	Weight [g]	Protection class ¹⁾	
EAMM-U-86-D60-52B/C-102	DNCE, EGSL, ESBF	9.5	175	5,000	0.25	2,520	IP40	18
EAMM-U-86-D60-52B/C-102-S1	DNCE, EGSL, ESBF	9.5	175	5,000	0.25	2,540	IP65	
EAMM-U-86-D60-60G-102	DNCE, EGSL, ESBF	9.5	175	5,000	0.25	2,480	IP40	
EAMM-U-86-D60-60G-102-S1	DNCE, EGSL, ESBF	9.5	175	5,000	0.25	2,500	IP65	
EAMM-U-86-D60-60H-102	DNCE, EGSL, ESBF	9.5	175	5,000	0.25	2,480	IP40	
EAMM-U-86-D60-60H-102-S1	DNCE, EGSL, ESBF	9.5	175	5,000	0.25	2,500	IP65	
EAMM-U-86-D60-70A-102	DNCE, EGSL, ESBF	9.5	175	5,000	0.25	2,440	IP40	
EAMM-U-86-D60-70A-102-S1	DNCE, EGSL, ESBF	9.5	175	5,000	0.25	2,460	IP65	
EAMM-U-86-D60-87A-102	DNCE, EGSL, ESBF	9.5	175	5,000	0.25	2,510	IP40	
EAMM-U-86-D60-87A-102-S1	DNCE, EGSL, ESBF	9.5	175	5,000	0.25	2,520	IP65	
EAMM-U-86-S48-60G-102	EGC-BS	9.5	175	5,000	0.25	2,480	IP40	20
EAMM-U-86-S48-70A-102	EGC-BS	9.5	175	5,000	0.25	2,440	IP40	
EAMM-U-86-S48-87A-177	EGC-BS	9.5	175	5,000	0.25	3,270	IP40	
EAMM-U-86-S62-60G-177	EGC-BS	9.5	175	5,000	0.25	3,300	IP40	
EAMM-U-86-S62-60H-177	EGC-BS	9.5	175	5,000	0.25	3,300	IP40	
EAMM-U-86-S62-70A-177	EGC-BS	9.5	175	5,000	0.25	3,270	IP40	
EAMM-U-86-S62-87A-177	EGC-BS	9.5	175	5,000	0.25	3,330	IP40	
EAMM-U-110-D60-60G-120	DNCE, EGSL, ESBF	25	799	5,000	0.3	4,950	IP40	18, 21
EAMM-U-110-D60-60G-120-S1	DNCE, EGSL, ESBF	25	799	5,000	0.3	5,020	IP65	
EAMM-U-110-D60-60H-120	DNCE, EGSL, ESBF	25	799	5,000	0.3	4,950	IP40	
EAMM-U-110-D60-60H-120-S1	DNCE, EGSL, ESBF	25	799	5,000	0.3	5,020	IP65	
EAMM-U-110-D60-62B-120	DNCE, EGSL, ESBF	25	799	5,000	0.3	5,230	IP40	
EAMM-U-110-D60-62B-120-S1	DNCE, EGSL, ESBF	25	799	5,000	0.3	5,270	IP65	
EAMM-U-110-D60-80G-120	DNCE, EGSL, ESBF	25	799	5,000	0.3	5,120	IP40	
EAMM-U-110-D60-80G-120-S1	DNCE, EGSL, ESBF	25	799	5,000	0.3	5,180	IP65	
EAMM-U-110-D60-100A-120	DNCE, EGSL, ESBF	25	799	5,000	0.3	4,950	IP40	
EAMM-U-110-D60-100A-120-S1	DNCE, EGSL, ESBF	25	799	5,000	0.3	5,020	IP65	
EAMM-U-110-D80-80G-120	ESBF	25	799	5,000	0.3	5,240	IP40	21
EAMM-U-110-D80-80G-120-S1	ESBF	25	799	5,000	0.3	5,310	IP65	
EAMM-U-110-D80-100A-120	ESBF	25	799	5,000	0.3	5,070	IP40	
EAMM-U-110-D80-100A-120-S1	ESBF	25	799	5,000	0.3	5,140	IP65	
EAMM-U-110-S62-100A-207	EGC-BS	25	799	5,000	0.3	6,900	IP40	20
EAMM-U-110-S95-100A-207	EGC-BS	25	799	5,000	0.3	6,810	IP40	
EAMM-U-110-S95-80G-207	EGC-BS	25	799	5,000	0.3	6,940	IP40	
EAMM-U-145-D80-140A-188	ESBF	50	2,270	4,000	2.0	11,900	IP40	21
EAMM-U-145-D80-140A-188-S1	ESBF	50	2,270	4,000	2.0	12,100	IP65	
EAMM-U-145-D100-140A-188	ESBF	50	2,270	4,000	2.0	11,800	IP40	
EAMM-U-145-D100-140A-188-S1	ESBF	50	2,270	4,000	2.0	11,900	IP65	
EAMM-U-145-S62-140A-288	EGC-BS	50	2,270	4,000	2.0	15,030	IP40	20
EAMM-U-145-S95-140A-288	EGC-BS	50	2,270	4,000	2.0	14,850	IP40	

1) Only in combination with attached motor and axis.

Operating and environmental conditions	
Ambient temperature	[°C] -10 ... +60
Storage temperature	[°C] -25 ... +60
Relative air humidity	[%] 0 ... 95
Corrosion resistance class CRC ²⁾	2
Note on materials	Conforms to RoHS

2) Corrosion resistance class 2 according to Festo standard 940 070
Components subject to moderate corrosion stress. Externally visible parts with primarily decorative surface requirements which are in direct contact with a normal industrial environment or media such as coolants or lubricating agents.

Parallel kits EAMM-U

Technical data

FESTO

Dimensions and ordering data

DGE-SP-...

Illustration:

- 1 Parallel kit
- 2 Spindle axis
- 3 Motor

Download CAD Data → www.festo.com/us/cad

DMES-...

Illustration:

- 1 Parallel kit
- 2 Positioning axis
- 3 Motor

Type	B1	H1	H2	H3	L1	L2	L3	Part No.	Type
EAMM-U-E24-32B ¹⁾	43.3	110.05	69 _{-0.1}	21.7	39	-	-	543225	EAMM-U-E24-32B
EAMM-U-E24-40A ¹⁾								543226	EAMM-U-E24-40A
EAMM-U-E32-42B	56.4	132.7	76.5 _{-0.1}	28.2	47	53.5	84	543228	EAMM-U-E32-42B
EAMM-U-E32-42C							97	543229	EAMM-U-E32-42C
EAMM-U-E32-55A							-	543230	EAMM-U-E32-55A
EAMM-U-E48-52B	85.8	189.9	107.5 _{-0.2}	42.9	58	66.5	106	543232	EAMM-U-E48-52B
EAMM-U-E48-52C							120	543233	EAMM-U-E48-52C
EAMM-U-E48-70A							-	543234	EAMM-U-E48-70A

1) Only in combination with DMES-...

Parallel kits EAMM-U

Technical data

Dimensions and ordering data

EGSL-...

Illustration:
1 Parallel kit
2 Mini slide
3 Motor

Download CAD Data → www.festo.com/us/cad

DNCE-...

Illustration:
1 Parallel kit
2 Electric cylinder
3 Motor

Note
The motor can only be mounted on the side and underneath.

Type	B1	H1	H2 ±0.1	H3	L1	L2	L3	Part No.	Type
EAMM-U-D32-32B ¹⁾	45.1	93.1	48	22.6	40	4	-	543152	EAMM-U-D32-32B
EAMM-U-D32-40A								543150	EAMM-U-D32-40A
EAMM-U-D40-42B ¹⁾	56.5	115	60	28.2	47	4	84	543159	EAMM-U-D40-42B
EAMM-U-D40-42C ¹⁾							97	543160	EAMM-U-D40-42C
EAMM-U-D40-55A							-	543157	EAMM-U-D40-55A
EAMM-U-D60-52B ¹⁾	86	162.6	82.5	42.9	58	4	106	543167	EAMM-U-D60-52B
EAMM-U-D60-52C ¹⁾							120	543168	EAMM-U-D60-52C
EAMM-U-D60-70A							-	543165	EAMM-U-D60-70A

1) Only in combination with DNCE-...

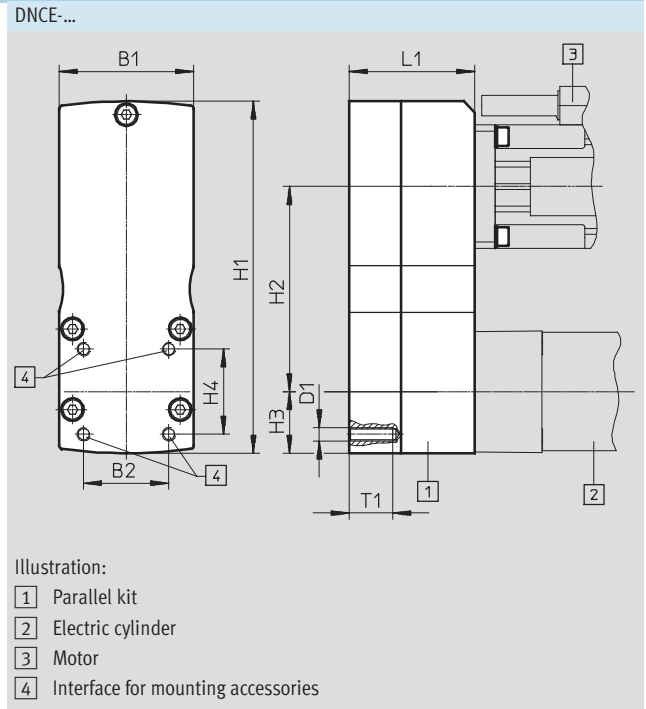
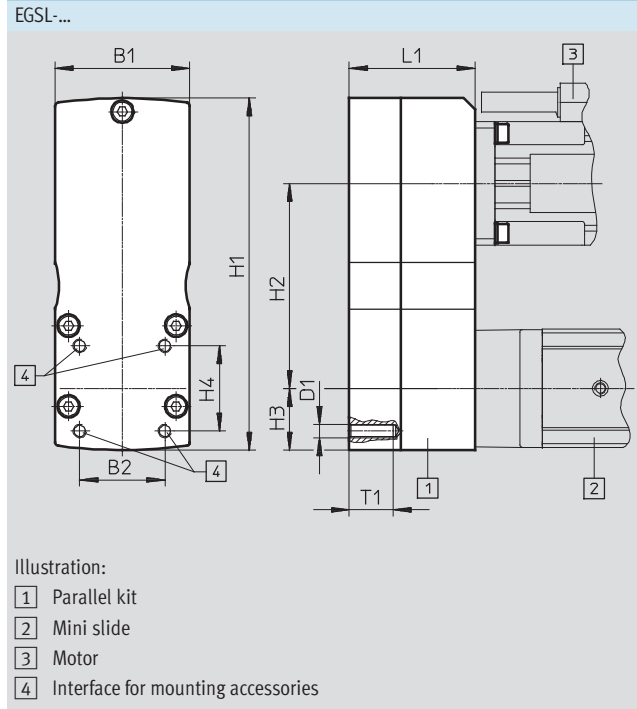
Parallel kits EAMM-U

Technical data

FESTO

Dimensions and ordering data

Download CAD Data → www.festo.com/us/cad



Type	B1	B2	D1	H1	H2 ±1	H3	H4	L1	T1 +0.2	Part No.	Type									
EAMM-U-50-D32-32B-78	50	32.5	M6	128.8	78	22.8	32.5	45	15	1570862	EAMM-U-50-D32-32B-78									
EAMM-U-50-D32-40A-78										1201591	EAMM-U-50-D32-40A-78									
EAMM-U-50-D32-40A-78-S1										1202302	EAMM-U-50-D32-40A-78-S1									
EAMM-U-50-D32-42A-78										1201607	EAMM-U-50-D32-42A-78									
EAMM-U-50-D32-42A-78-S1										1202312	EAMM-U-50-D32-42A-78-S1									
EAMM-U-60-D32-40G-91	60	32.5	M6	157	91.5	27.5	32.5	56	15	1577358	EAMM-U-60-D32-40G-91									
EAMM-U-60-D32-40G-91-S1										1577346	EAMM-U-60-D32-40G-91-S1									
EAMM-U-60-D32-42B/C-91										1577393	EAMM-U-60-D32-42B/C-91									
EAMM-U-60-D32-42B/C-91-S1										1577380	EAMM-U-60-D32-42B/C-91-S1									
EAMM-U-60-D32-55A-91										1210126	EAMM-U-60-D32-55A-91									
EAMM-U-60-D32-55A-91-S1		1210450					EAMM-U-60-D32-55A-91-S1													
EAMM-U-60-D32-57A-91		38					M6			157	91.5	27.5	32.5	56	15	1210419	EAMM-U-60-D32-57A-91			
EAMM-U-60-D32-57A-91-S1																1210453	EAMM-U-60-D32-57A-91-S1			
EAMM-U-60-D40-40G-91																1577165	EAMM-U-60-D40-40G-91			
EAMM-U-60-D40-40G-91-S1																1435968	EAMM-U-60-D40-40G-91-S1			
EAMM-U-60-D40-42B/C-91	1570950		EAMM-U-60-D40-42B/C-91																	
EAMM-U-60-D40-42B/C-91-S1	86	38	M6	188.5	102.5	38	38	69	16	1430735	EAMM-U-60-D40-42B/C-91-S1									
EAMM-U-60-D40-55A-91										1210438	EAMM-U-60-D40-55A-91									
EAMM-U-60-D40-55A-91-S1										1210458	EAMM-U-60-D40-55A-91-S1									
EAMM-U-60-D40-57A-91										1210442	EAMM-U-60-D40-57A-91									
EAMM-U-60-D40-57A-91-S1										1210462	EAMM-U-60-D40-57A-91-S1									
EAMM-U-86-D40-52B/C-102										86	38	M6	188.5	102.5	38	38	69	16	1537046	EAMM-U-86-D40-52B/C-102
EAMM-U-86-D40-52B/C-102-S1																			1537011	EAMM-U-86-D40-52B/C-102-S1
EAMM-U-86-D40-60G-102																			1586445	EAMM-U-86-D40-60G-102
EAMM-U-86-D40-60G-102-S1																			1586429	EAMM-U-86-D40-60G-102-S1
EAMM-U-86-D40-60H-102																			1586496	EAMM-U-86-D40-60H-102
EAMM-U-86-D40-60H-102-S1	1586372	EAMM-U-86-D40-60H-102-S1																		
EAMM-U-86-D40-70A-102	1212826	EAMM-U-86-D40-70A-102																		
EAMM-U-86-D40-70A-102-S1	1212854	EAMM-U-86-D40-70A-102-S1																		
EAMM-U-86-D40-87A-102	1215802	EAMM-U-86-D40-87A-102																		
EAMM-U-86-D40-87A-102-S1	1215814	EAMM-U-86-D40-87A-102-S1																		

Parallel kits EAMM-U

Technical data

Dimensions and ordering data

Download CAD Data → www.festo.com/us/cad

EGSL-...

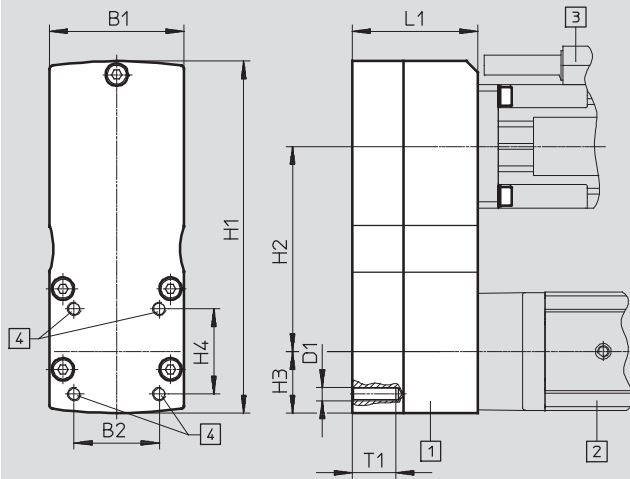


Illustration:

- 1 Parallel kit
- 2 Mini slide
- 3 Motor
- 4 Interface for mounting accessories

DNCE-...

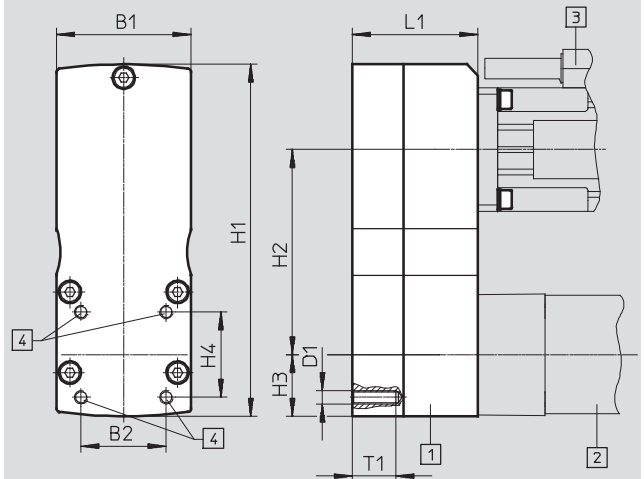


Illustration:

- 1 Parallel kit
- 2 Electric cylinder
- 3 Motor
- 4 Interface for mounting accessories

Type	B1	B2	D1	H1	H2 ±1	H3	H4	L1	T1 +0.2	Part No.	Type									
EAMM-U-86-D60-52B/C-102	86	56.5	M8	188.5	102.5	38	56.5	71	16	1537000	EAMM-U-86-D60-52B/C-102									
EAMM-U-86-D60-52B/C-102-S1										1431381	EAMM-U-86-D60-52B/C-102-S1									
EAMM-U-86-D60-60G-102										1586347	EAMM-U-86-D60-60G-102									
EAMM-U-86-D60-60G-102-S1										1437163	EAMM-U-86-D60-60G-102-S1									
EAMM-U-86-D60-60H-102										1586276	EAMM-U-86-D60-60H-102									
EAMM-U-86-D60-60H-102-S1										1530837	EAMM-U-86-D60-60H-102-S1									
EAMM-U-86-D60-70A-102										1212477	EAMM-U-86-D60-70A-102									
EAMM-U-86-D60-70A-102-S1										1212835	EAMM-U-86-D60-70A-102-S1									
EAMM-U-86-D60-87A-102										1215784	EAMM-U-86-D60-87A-102									
EAMM-U-86-D60-87A-102-S1										1215810	EAMM-U-86-D60-87A-102-S1									
EAMM-U-110-D60-60G-120										110	56.5	M8	225	120	45	56.5	82	16	1543240	EAMM-U-110-D60-60G-120
EAMM-U-110-D60-60G-120-S1																			1436183	EAMM-U-110-D60-60G-120-S1
EAMM-U-110-D60-60H-120	1542264	EAMM-U-110-D60-60H-120																		
EAMM-U-110-D60-60H-120-S1	1530621	EAMM-U-110-D60-60H-120-S1																		
EAMM-U-110-D60-62B-120	1536988	EAMM-U-110-D60-62B-120																		
EAMM-U-110-D60-62B-120-S1	1431443	EAMM-U-110-D60-62B-120-S1																		
EAMM-U-110-D60-80G-120	1532949	EAMM-U-110-D60-80G-120																		
EAMM-U-110-D60-80G-120-S1	1530875	EAMM-U-110-D60-80G-120-S1																		
EAMM-U-110-D60-100A-120	1202436	EAMM-U-110-D60-100A-120																		
EAMM-U-110-D60-100A-120-S1	1203112	EAMM-U-110-D60-100A-120-S1																		

Parallel kits EAMM-U

Technical data

FESTO

Dimensions and ordering data

Download CAD Data → www.festo.com/us/cad

EGC-...-BS-...

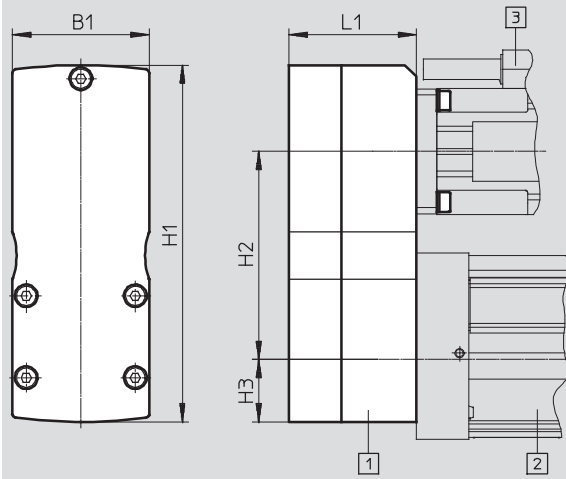


Illustration:

- 1 Parallel kit
- 2 Spindle axis
- 3 Motor

Type	B1	H1	H2 ±1	H3	L1	Part No.	Type
EAMM-U-50-S38-40A-78	50	131	78	25	43	1217708	EAMM-U-50-S38-40A-78
1217945						EAMM-U-50-S38-42A-78	
EAMM-U-60-S38-55A-91	60	157	91.5	27.5	53	1218538	EAMM-U-60-S38-55A-91
EAMM-U-60-S38-57A-91						1218568	EAMM-U-60-S38-57A-91
EAMM-U-60-S48-55A-91	60	161.5	91.5	32	54	1219370	EAMM-U-60-S48-55A-91
EAMM-U-60-S48-57A-91						1219379	EAMM-U-60-S48-57A-91
EAMM-U-60-S48-60G-102	86	188.5	102.5	38	67	1587251	EAMM-U-60-S48-60G-102
EAMM-U-60-S48-60H-102						1587338	EAMM-U-60-S48-60H-102
EAMM-U-86-S48-70A-102						1217689	EAMM-U-86-S48-70A-102
EAMM-U-86-S48-87A-177	86	268.5	177.5	43	67	1217604	EAMM-U-86-S48-87A-177
EAMM-U-86-S62-60G-177					69	1587411	EAMM-U-86-S62-60G-177
EAMM-U-86-S62-60H-177					1587453	EAMM-U-86-S62-60H-177	
EAMM-U-86-S62-70A-177					69	1217543	EAMM-U-86-S62-70A-177
EAMM-U-86-S62-87A-177					1217373	EAMM-U-86-S62-87A-177	
EAMM-U-110-S62-100A-207					1217381	EAMM-U-110-S62-100A-207	
EAMM-U-110-S95-80G-207	110	322.5	207.5	55	82	1589544	EAMM-U-110-S95-80G-207
EAMM-U-110-S95-100A-207						1220656	EAMM-U-110-S95-100A-207
EAMM-U-145-S62-140A-288	145	448	288	70	99.5	1219440	EAMM-U-145-S62-140A-288
EAMM-U-145-S95-140A-288						1220582	EAMM-U-145-S95-140A-288

Parallel kits EAMM-U

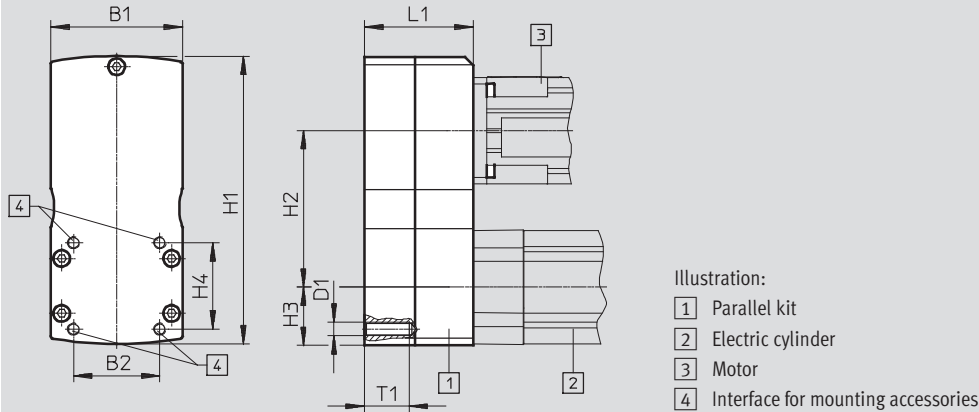
Technical data

FESTO

Dimensions and ordering data

Download CAD Data → www.festo.com/us/cad

ESBF-BS-...



Type	B1	B2	D1	H1	H2 ±1	H3	H4	L1	T1	Part No.	Type
EAMM-U-86-D60-52B/C-102	86	56.5	M8	188.5	102.5	38	56.5	71	16	1537000	EAMM-U-86-D60-52B/C-102
EAMM-U-86-D60-52B/C-102-S1										1431381	EAMM-U-86-D60-52B/C-102-S1
EAMM-U-86-D60-60G-102										1586347	EAMM-U-86-D60-60G-102
EAMM-U-86-D60-60G-102-S1										1437163	EAMM-U-86-D60-60G-102-S1
EAMM-U-86-D60-70A-102										1212477	EAMM-U-86-D60-70A-102
EAMM-U-86-D60-70A-102-S1										1212835	EAMM-U-86-D60-70A-102-S1
EAMM-U-86-D60-87A-102										1215784	EAMM-U-86-D60-87A-102
EAMM-U-86-D60-87A-102-S1										1215810	EAMM-U-86-D60-87A-102-S1
EAMM-U-110-D60-60G-120	110	56.5	M8	225	120	45	56.5	82	16	1543240	EAMM-U-110-D60-60G-120
EAMM-U-110-D60-60G-120-S1										1436183	EAMM-U-110-D60-60G-120-S1
EAMM-U-110-D60-60H-120										1542264	EAMM-U-110-D60-60H-120
EAMM-U-110-D60-60H-120-S1										1530621	EAMM-U-110-D60-60H-120-S1
EAMM-U-110-D60-62B-120										1536988	EAMM-U-110-D60-62B-120
EAMM-U-110-D60-62B-120-S1										1431443	EAMM-U-110-D60-62B-120-S1
EAMM-U-110-D60-80G-120										1532949	EAMM-U-110-D60-80G-120
EAMM-U-110-D60-80G-120-S1										1530875	EAMM-U-110-D60-80G-120-S1
EAMM-U-110-D60-100A-120										1202436	EAMM-U-110-D60-100A-120
EAMM-U-110-D60-100A-120-S1										1203112	EAMM-U-110-D60-100A-120-S1
EAMM-U-110-D80-80G-120	110	72	M10	235	120	55	72	82	20.5	1589614	EAMM-U-110-D80-80G-120
EAMM-U-110-D80-80G-120-S1										1589706	EAMM-U-110-D80-80G-120-S1
EAMM-U-110-D80-100A-120										1465438	EAMM-U-110-D80-100A-120
EAMM-U-110-D80-100A-120-S1										1433650	EAMM-U-110-D80-100A-120-S1
EAMM-U-145-D80-140A-188	145	72	M10	348	188	70	72	99.5	25	1465530	EAMM-U-145-D80-140A-188
EAMM-U-145-D80-140A-188-S1		89					1433709			EAMM-U-145-D80-140A-188-S1	
EAMM-U-145-D100-140A-188							1465541			EAMM-U-145-D100-140A-188	
EAMM-U-145-D100-140A-188-S1							1433852			EAMM-U-145-D100-140A-188-S1	

- 1 - Type discontinued EGSA
Available up until 2013

Parallel kits EAMM-U

Technical data

FESTO

Dimensions and ordering data

Download CAD Data → www.festo.com/us/cad

EGSA-...

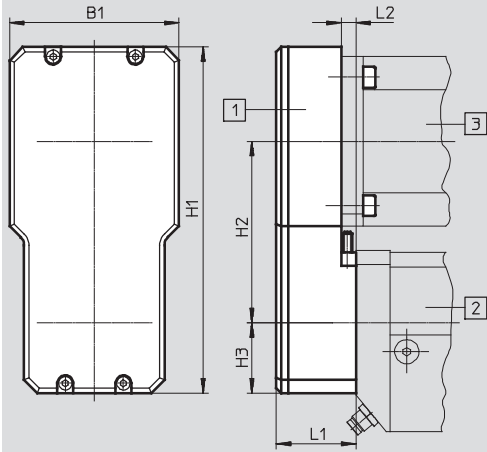


Illustration:

- 1 Parallel kit
- 2 Cantilever axis
- 3 Motor

Type	B1	H1	H2	H3 +1/-4	L1	L2	Part No.	Type
EAMM-U-A19-40A	49	107	24.5	57	30	7	559785	EAMM-U-A19-40A
EAMM-U-A22-55A	58	133	29	67.8	32	4.5	559786	EAMM-U-A22-55A
EAMM-U-A22-70A	70	143	29	75	33	6	559787	EAMM-U-A22-70A

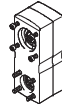
Parallel kits EAMM-U

Accessories

Counter bearing EAMG

Material:
Wrought aluminium alloy
RoHS-compliant

Can only be used in combination with a parallel kit as per the illustrations (→ page 3 ... 10).



A counter bearing EAMG reduces the load on the axis or motor bearings to improve the service life under high loads. A clamping sleeve EAMH is additionally required for each counter bearing.

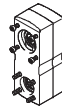


Ordering data							
Type	For size	Max. rotational speed [rpm]	Ambient temperature [°C]	Weight [g]	Part No.	Type	
EAMG-U1-50	50	6,000	-10 ... +60	20	1354281	EAMG-U1-50	
EAMG-U1-60	60	6,000		35	1354282	EAMG-U1-60	
EAMG-U1-86	86	5,000		83	1354283	EAMG-U1-86	
EAMG-U1-110	110	5,000		169	1354284	EAMG-U1-110	
EAMG-U1-145	145	4,000		186	1354285	EAMG-U1-145	

Clamping sleeve EAMH

Material:
Corrosion-resistant steel
RoHS-compliant

Can only be used in combination with a parallel kit as per the illustrations (→ page 3 ... 10).



To retrofit the counter bearing, the clamping sleeve without trunnion included as standard in the parallel kit must be replaced by the clamping sleeve EAMH-...-P with integrated trunnion. The appropriate clamping sleeve size for the counter bearing is determined by the size of the parallel kit.



Ordering data								
Type	For size	For shaft Ø, motor/axis Ø h7 ... k7	Max. rotational speed [rpm]	Mass moment of inertia [kg mm ²]	Ambient temperature [°C]	Weight [g]	Part No.	Type
EAMH-50-5-C13.6-P	50	5	6,000	0.39	-10 ... +60	20	1354092	EAMH-50-5-C13.6-P
EAMH-50-6-C13.6-P	50	6	6,000	0.38		19	1354093	EAMH-50-6-C13.6-P
EAMH-50-8-C13.6-P	50	8	6,000	0.35		16	1354094	EAMH-50-8-C13.6-P
EAMH-60-6-C18.1-P	60	6	6,000	1.57		44	1354095	EAMH-60-6-C18.1-P
EAMH-60-6.35-C18.1-P	60	6.35	6,000	1.56		43	1354096	EAMH-60-6.35-C18.1-P
EAMH-60-8-C18.1-P	60	8	6,000	1.53		41	1354097	EAMH-60-8-C18.1-P
EAMH-60-9-C18.1-P	60	9	6,000	1.5		39	1354098	EAMH-60-9-C18.1-P
EAMH-60-10-C18.1-P	60	10	6,000	1.4		38	1545242	EAMH-60-10-C18.1-P
EAMH-60-12-C18.1-P	60	12	6,000	1.3		32	1354099	EAMH-60-12-C18.1-P
EAMH-86-8-C27.3-P	86	8	5,000	10.3		128	1354100	EAMH-86-8-C27.3-P
EAMH-86-11-C27.3-P	86	11	5,000	10.1		119	1354101	EAMH-86-11-C27.3-P
EAMH-86-12-C27.3-P	86	12	5,000	10		115	1354102	EAMH-86-12-C27.3-P
EAMH-86-14-C27.3-P	86	14	5,000	8.74		103	1459337	EAMH-86-14-C27.3-P

Parallel kits EAMM-U

Accessories

FESTO

Ordering data									
Type	For size	For shaft Ø, motor/axis Ø h7 ... k7	Max. rotational speed [rpm]	Mass moment of inertia [kg mm ²]	Ambient temperature [°C]	Weight [g]	Part No.	Type	
EAMH-110-11-C34-P	110	11	5,000	33.2	-10 ... +60	270	1545245	EAMH-110-11-C34-P	
EAMH-110-12-C34-P	110	12	5,000	36.3		278	1354103	EAMH-110-12-C34-P	
EAMH-110-14-C34-P	110	14	5,000	35.8		267	1354104	EAMH-110-14-C34-P	
EAMH-110-16-C34-P	110	16	5,000	35.1		254	1354105	EAMH-110-16-C34-P	
EAMH-110-19-C34-P	110	19	5,000	33.3		230	1354106	EAMH-110-19-C34-P	
EAMH-110-20-C34-P	110	20	5,000	30.2		217	1545246	EAMH-110-20-C34-P	
EAMH-110-25-C34-P	110	25	5,000	25.8		170	1354107	EAMH-110-25-C34-P	
EAMH-145-12-C34-P	145	12	4,000	43.9		338	1354108	EAMH-145-12-C34-P	
EAMH-145-19-C34-P	145	19	4,000	38		281	1459342	EAMH-145-19-C34-P	
EAMH-145-24-C34-P	145	24	4,000	34		229	1354109	EAMH-145-24-C34-P	
EAMH-145-25-C34-P	145	25	4,000	32.1		217	1354110	EAMH-145-25-C34-P	

Clamping component EADT

Material:

Plastic

RoHS-compliant

For adjusting the toothed belt pretension with EAMM-U-110 and EAMM-U-145.

The motor is pushed away from the axis mechanism by turning the clamping component secured in a hole in the housing (the motor can be moved in a slot for this purpose).

This enables high toothed belt pretension forces to be generated with low torques at the clamping component.

Can only be used in combination with a parallel kit as per the illustrations (→ page 3 ... 10).



Ordering data				
Type	Ambient temperature [°C]	Weight [g]	Part No.	Type
EADT-E-U1-110	-10 ... +60	9	1461069	EADT-E-U1-110

Product Range and Company Overview

A Complete Suite of Automation Services

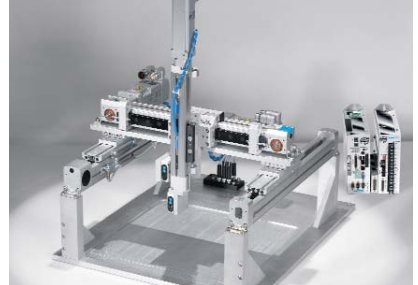
Our experienced engineers provide complete support at every stage of your development process, including: conceptualization, analysis, engineering, design, assembly, documentation, validation, and production.



Custom Automation Components
Complete custom engineered solutions



Custom Control Cabinets
Comprehensive engineering support and on-site services



Complete Systems
Shipment, stocking and storage services

The Broadest Range of Automation Components

With a comprehensive line of more than 30,000 automation components, Festo is capable of solving the most complex automation requirements.



Electromechanical
Electromechanical actuators, motors, controllers & drives



Pneumatics
Pneumatic linear and rotary actuators, valves, and air supply



PLCs and I/O Devices
PLC's, operator interfaces, sensors and I/O devices

Supporting Advanced Automation... As No One Else Can!

Festo is a leading global manufacturer of pneumatic and electromechanical systems, components and controls for industrial automation, with more than 12,000 employees in 56 national headquarters serving more than 180 countries. For more than 80 years, Festo has continuously elevated the state of manufacturing with innovations and optimized motion control solutions that deliver higher performing, more profitable automated manufacturing and processing equipment. Our dedication to the advancement of automation extends beyond technology to the education and development of current and future automation and robotics designers with simulation tools, teaching programs, and on-site services.

Quality Assurance, ISO 9001 and ISO 14001 Certifications

Festo Corporation is committed to supply all Festo products and services that will meet or exceed our customers' requirements in product quality, delivery, customer service and satisfaction.

To meet this commitment, we strive to ensure a consistent, integrated, and systematic approach to management that will meet or exceed the requirements of the ISO 9001 standard for Quality Management and the ISO 14001 standard for Environmental Management.



© Copyright 2008, Festo Corporation. While every effort is made to ensure that all dimensions and specifications are correct, Festo cannot guarantee that publications are completely free of any error, in particular typing or printing errors. Accordingly, Festo cannot be held responsible for the same. For Liability and Warranty conditions, refer to our "Terms and Conditions of Sale", available from your local Festo office. All rights reserved. No part of this publication may be reproduced, distributed, or transmitted in any form or by any means, electronic, mechanical, photocopying or otherwise, without the prior written permission of Festo. All technical data subject to change according to technical update.



Printed on recycled paper at New Horizon Graphic, Inc., FSC certified as an environmentally friendly printing plant.

Festo North America

Festo Regional Contact Center

5300 Explorer Drive
Mississauga, Ontario L4W 5G4
Canada

USA Customers:

For ordering assistance,

Call: 1.800.99.FESTO (1.800.993.3786)

Fax: 1.800.96.FESTO (1.800.963.3786)

Email: customer.service@us.festo.com

For technical support,

Call: 1.866.GO.FESTO (1.866.463.3786)

Fax: 1.800.96.FESTO (1.800.963.3786)

Email: product.support@us.festo.com

Canadian Customers:

Call: 1.877.GO.FESTO (1.877.463.3786)

Fax: 1.877.FX.FESTO (1.877.393.3786)

Email: festo.canada@ca.festo.com

USA Headquarters

Festo Corporation
395 Moreland Road
P.O. Box 18023
Hauppauge, NY 11788, USA
www.festo.com/us

USA Sales Offices

Appleton

North 922 Tower View Drive, Suite N
Greenville, WI 54942, USA

Boston

120 Presidential Way, Suite 330
Woburn, MA 01801, USA

Chicago

1441 East Business Center Drive
Mt. Prospect, IL 60056, USA

Dallas

1825 Lakeway Drive, Suite 600
Lewisville, TX 75057, USA

Detroit – Automotive Engineering Center

2601 Cambridge Court, Suite 320
Auburn Hills, MI 48326, USA

New York

395 Moreland Road
Hauppauge, NY 11788, USA

Silicon Valley

4935 Southfront Road, Suite F
Livermore, CA 94550, USA

United States



USA Headquarters, East: Festo Corp., 395 Moreland Road, Hauppauge, NY 11788

Phone: 1.631.435.0800; Fax: 1.631.435.8026;

Email: info@festo-usa.com

www.festo.com/us

Canada



Headquarters: Festo Inc., 5300 Explorer Drive, Mississauga, Ontario L4W 5G4

Phone: 1.905.624.9000; Fax: 1.905.624.9001;

Email: festo.canada@ca.festo.com

www.festo.ca

Mexico



Headquarters: Festo Pneumatic, S.A., Av. Ceylán 3, Col. Tequesquahuac,
54020 Tlalneantla, Edo. de México

Phone: 011 52 [55] 53 21 66 00; Fax: 011 52 [55] 53 21 66 65;

Email: festo.mexico@mx.festo.com

www.festo.com/mx

Central USA

Festo Corporation
1441 East Business
Center Drive
Mt. Prospect, IL 60056, USA
Phone: 1.847.759.2600
Fax: 1.847.768.9480



Western USA

Festo Corporation
4935 Southfront Road,
Suite F
Livermore, CA 94550, USA
Phone: 1.925.371.1099
Fax: 1.925.245.1286



Festo Worldwide

Argentina Australia Austria Belarus Belgium Brazil Bulgaria Canada Chile China Colombia Croatia Czech Republic Denmark
Estonia Finland France Germany Great Britain Greece Hong Kong Hungary India Indonesia Iran Ireland Israel Italy Japan Latvia
Lithuania Malaysia Mexico Netherlands New Zealand Norway Peru Philippines Poland Romania Russia Serbia Singapore
Slovakia Slovenia South Africa South Korea Spain Sweden Switzerland Taiwan Thailand Turkey Ukraine United States Venezuela

www.festo.com