

Standard cylinders DNC-C180, to ISO 15552



Standard cylinders DNC-C180, to ISO 15552

Key features

FESTO

At a glance

Sensor slots on the compressed air connection side



- Standards-based cylinders to ISO 15552 (corresponds to the withdrawn standards ISO 6431, DIN ISO 6431, VDMA 24 562, NF E 49 003.1 and UNI 10290)



DIN



- The sensor slots on the compressed air connection side are sealed by the covers at the barrel ends, which means that the proximity sensors can only be inserted from above. End-position sensing via these slots is therefore only possible in combination with the proximity sensors SME/SMT-8M.
- The modern design and construction save up to 11% on fitting space compared to ordinary standard cylinders, thus permitting a considerably more compact system design.

High quality product

- Proven technology, compact, solid and reliable
- Excellent running characteristics thanks to efficient piston system
- Simple and finely adjustable end-position cushioning thanks to new PPV adjusting screw
- When an ideal setting has been found, imprinted scale ensures easy reproducibility

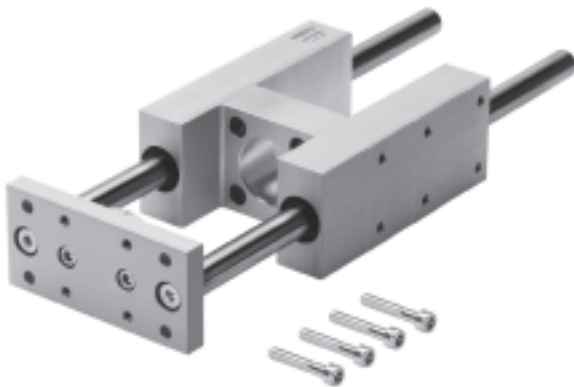
Contactless sensing

- The proximity sensors fit flush in the profile slot. On the one hand, this does away with the need for additional mounting kits and on the other, it protects the proximity sensor against mechanical damage.

Easy to mount

- Wide selection of mounting options
- All accessories and mounting attachments from the DNC range can be used

Accessories



Guide units protect standard cylinders from torsion when these are subjected to high torque loads. They provide high-precision guidance for handling applications.

The arrangement of the sensor slots on the compressed air connection side means that no additional kit is required for sensing the end positions in combination with the guide unit.

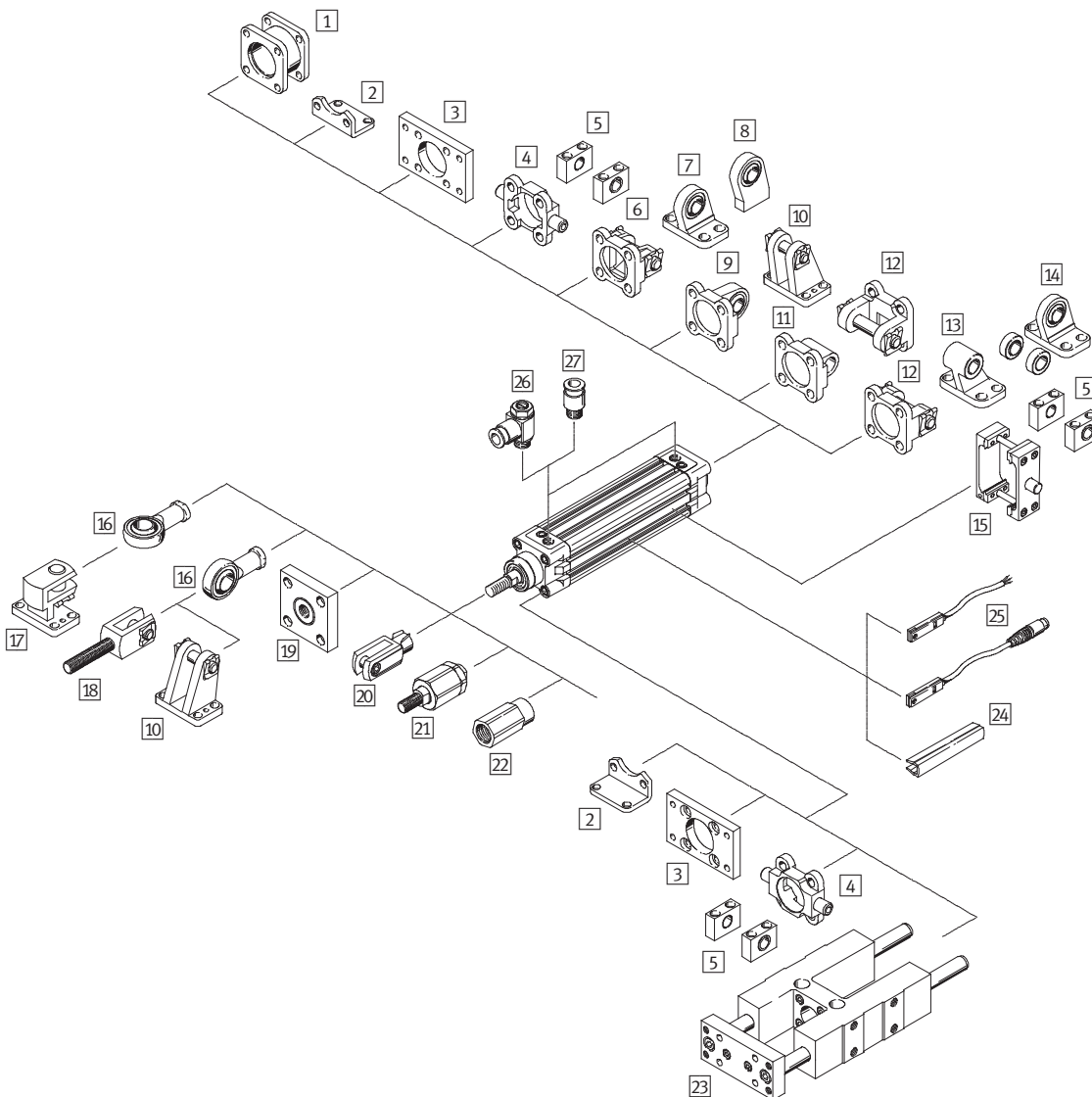
Standard cylinders DNC-C180, to ISO 15552

Type codes

| | | | | | | | | | | | |
|-------------------------|--|---|----|---|-----|---|-----|---|---|---|------|
| | DNC | - | 80 | - | 320 | - | PPV | - | A | - | C180 |
| Type | | | | | | | | | | | |
| Double-acting | | | | | | | | | | | |
| DNC | Standard cylinder | | | | | | | | | | |
| Piston Ø [mm] | | | | | | | | | | | |
| Stroke [mm] | | | | | | | | | | | |
| Cushioning | | | | | | | | | | | |
| PPV | Pneumatic cushioning, adjustable at both ends | | | | | | | | | | |
| Position sensing | | | | | | | | | | | |
| A | Via proximity sensor | | | | | | | | | | |
| Variant | | | | | | | | | | | |
| C180 | Sensor slots on the compressed air connection side | | | | | | | | | | |

Standard cylinders DNC-C180, to ISO 15552

Peripherals overview



| Mounting attachments and accessories | | | |
|--------------------------------------|---------------------------------|--|----|
| | Brief description | → Page/ Internet | |
| 1 | Multi-position kit DPNC | For connecting two cylinders with identical piston diameters to form a multi-position cylinder | 10 |
| 2 | Foot mounting HNC/CRHNC | For bearing or end caps | 11 |
| 3 | Flange mounting FNC/CRFNG | For bearing or end caps | 12 |
| 4 | Trunnion flange ZNCF/CRZNG | For bearing or end caps | 13 |
| 5 | Trunnion support LNZG/CRLNZG | – | 15 |
| 6 | Swivel flange SNC | For end caps | 16 |
| 7 | Clevis foot LSNG | With spherical bearing | 19 |
| 8 | Clevis foot LSNSG | Weld-on, with spherical bearing | 19 |

Standard cylinders DNC-C180, to ISO 15552

Peripherals overview

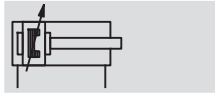
FESTO

| Mounting attachments and accessories | | |
|--------------------------------------|------------------------------------|--|
| | Brief description | → Page/ Internet |
| 9 | Swivel flange SNCS | With spherical bearing for end caps 18 |
| 10 | Clevis foot LBG | – 19 |
| 11 | Swivel flange SNCL | For end caps 18 |
| 12 | Swivel flange SNCB/SNCB-...-R3 | For end caps 17 |
| 13 | Clevis foot LNG/CRLNG | – 19 |
| 14 | Clevis foot LSN | With spherical bearing 19 |
| 15 | Trunnion mounting kit ZNCM | For mounting anywhere along the cylinder profile barrel 14 |
| 16 | Rod eye SGS/CRSGS | With spherical bearing 20 |
| 17 | Right-angle clevis foot LQG | – 19 |
| 18 | Rod clevis SGA | With male thread 20 |
| 19 | Coupling piece KSG | For compensating for radial deviations 20 |
| | Coupling piece KSZ | For cylinders with a non-rotating piston rod to compensate for radial deviations 20 |
| 20 | Rod clevis SG/CRSG | Permits a swivelling movement of the cylinder in one plane 20 |
| 21 | Self-aligning rod coupler FK | For compensating radial and angular deviations 20 |
| 22 | Adapter AD | For fitting a suction cup on a hollow cylinder piston rod 20 |
| 23 | Guide unit FENG | For protecting standard cylinders against rotation at high torque loads 21 |
| 24 | Slot cover ABP-5-S | For protecting the sensor cable and keeping dirt out of the sensor slots 21 |
| 25 | Proximity sensor SME/SMT-8M | Can be integrated in the cylinder profile barrel 22 |
| 26 | One-way flow control valve GRLA | For regulating speed 22 |
| 27 | Push-in fitting QS | For connecting compressed air tubing with standard O.D. quick star |

Standard cylinders DNC-C180, to ISO 15552

Technical data

Function



DIN



- N- Diameter
32 ... 100 mm
 - T- Stroke length
2 ... 2,000 mm
- www.festo.com/en/Spare_parts_service

| General technical data | | | | | | |
|------------------------|---|-----------------|-----------------|-----------------|-----------------|-----------------|
| Piston Ø | 32 | 40 | 50 | 63 | 80 | 100 |
| Pneumatic connection | G $\frac{1}{8}$ | G $\frac{1}{4}$ | G $\frac{1}{4}$ | G $\frac{3}{8}$ | G $\frac{3}{8}$ | G $\frac{1}{2}$ |
| Piston rod thread | M10x1.25 | M12x1.25 | M16x1.5 | M16x1.5 | M20x1.5 | M20x1.5 |
| Design | Piston | | | | | |
| | Piston rod | | | | | |
| | Profile barrel | | | | | |
| Cushioning | Elastic cushioning rings/pads at both ends | | | | | |
| | Pneumatic cushioning, adjustable at both ends | | | | | |
| Cushioning length [mm] | 20 | 20 | 22 | 22 | 32 | 32 |
| Position sensing | Via proximity sensor | | | | | |
| Type of mounting | Via female thread | | | | | |
| | Via accessories | | | | | |
| Mounting position | Any | | | | | |

Note: This product conforms to ISO 1179-1 and ISO 228-1

| Operating and environmental conditions | |
|--|--|
| Operating medium | Compressed air in accordance with ISO 8573-1:2010 [7:4:4] |
| Note on operating/pilot medium | Operation with lubricated medium possible (in which case lubricated operation will always be required) |
| Operating pressure [bar] | 0.6 ... 12 |
| Ambient temperature ¹⁾ [°C] | -20 ... +80 |
| Corrosion resistance class CRC ²⁾ | 2 |

- 1) Note operating range of proximity sensors.
- 2) Corrosion resistance class 2 according to Festo standard 940 070
Components subject to moderate corrosion stress. Externally visible parts with primarily decorative surface requirements which are in direct contact with a normal industrial environment or media such as coolants or lubricating agents.

| Force [N] and impact energy [J] | | | | | | |
|---|-----|-----|-------|-------|-------|-------|
| Piston Ø | 32 | 40 | 50 | 63 | 80 | 100 |
| Theoretical force at 6 bar, advancing | 483 | 754 | 1,178 | 1,870 | 3,016 | 4,712 |
| Theoretical force at 6 bar, retracting | 415 | 633 | 990 | 1,682 | 2,721 | 4,418 |
| Max. impact energy in the end positions | 0.1 | 0.2 | 0.2 | 0.5 | 0.9 | 1.2 |

Permissible impact velocity:

$$v_{perm.} = \sqrt{\frac{2 \times E_{perm.}}{m_{dead} + m_{load}}}$$

- $v_{perm.}$ Permissible impact velocity
- $E_{perm.}$ Max. impact energy
- $m_{intrinsic}$ Moving load (drive)
- m_{load} Moving effective load

Note
This data represents the maximum values that can be achieved. The maximum permissible impact energy must be observed.

Maximum permissible load:

$$m_{load} = \frac{2 \times E_{perm.}}{v^2} - m_{dead}$$

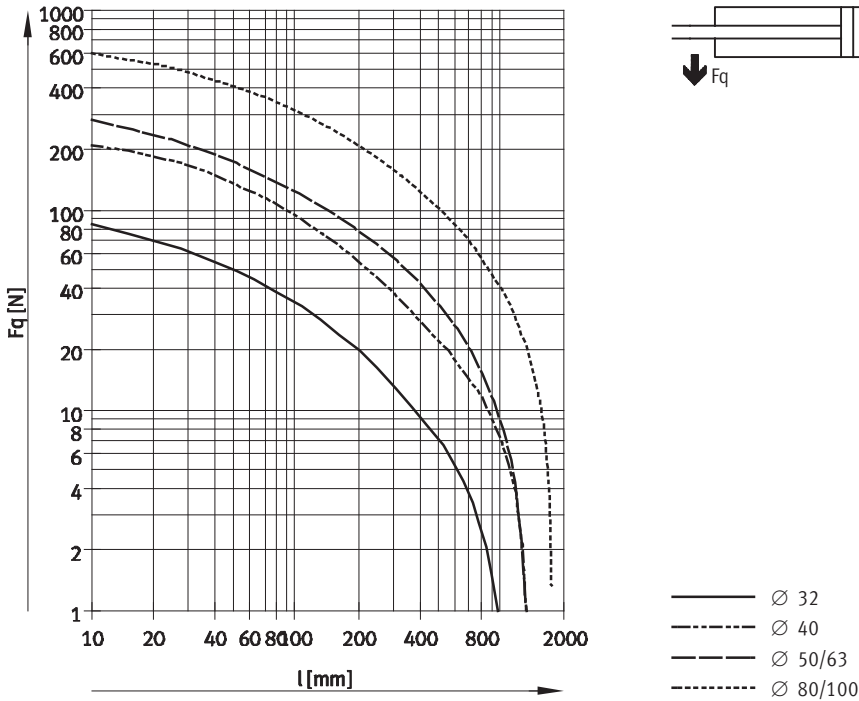
Standard cylinders DNC-C180, to ISO 15552

Technical data

FESTO

Lateral force F_q as a function of stroke length l

Basic version

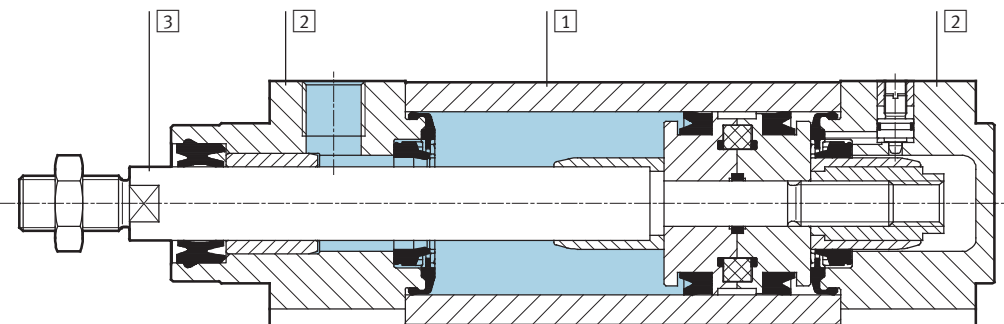


Weight [g]

| Piston Ø | 32 | 40 | 50 | 63 | 80 | 100 |
|------------------------------------|-----|-----|-------|-------|-------|-------|
| Product weight with 0 mm stroke | 517 | 800 | 1,260 | 1,709 | 2,790 | 4,653 |
| Additional weight per 10 mm stroke | 30 | 45 | 64 | 73 | 106 | 115 |
| Moving load with 0 mm stroke | 162 | 307 | 538 | 663 | 1,131 | 1,544 |
| Additional load per 10 mm stroke | 9 | 16 | 25 | 25 | 38 | 38 |

Materials

Sectional view



Standard cylinder

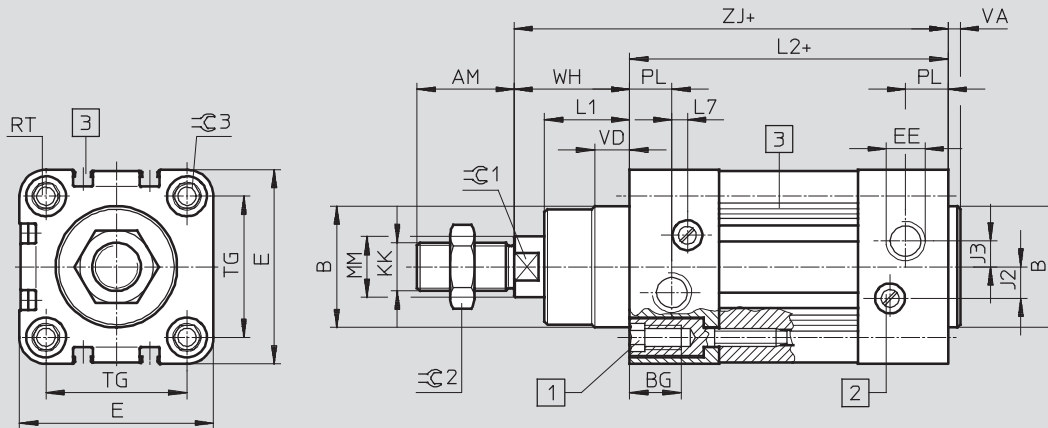
| | | |
|---|----------------------|---|
| 1 | Profile barrel | Smooth anodised wrought aluminium alloy |
| 2 | Bearing and end caps | Die-cast aluminium |
| 3 | Piston rod | High-alloy steel |
| - | Seals | Polyurethane, nitrile rubber |

Standard cylinders DNC-C180, to ISO 15552

Technical data

Dimensions

Download CAD Data → www.festo.com/us/cad



- 1 Socket head screw with female thread for mounting attachments
- 2 Regulating screw for adjustable end-position cushioning
- 3 Slot for proximity sensor SME/SMT-8M
- + = plus stroke length

| ∅ [mm] | AM | B ∅ d11 | BG | E | EE | J2 | J3 | KK | L1 | L2 | L7 |
|-----------|----|---------------|----|-----|------|------|-----|----------|------|-----|------|
| 32 | 22 | 30 | 16 | 45 | G1/8 | 6 | 5.2 | M10x1.25 | 18 | 94 | 3.3 |
| 40 | 24 | 35 | 16 | 54 | G1/4 | 8 | 6 | M12x1.25 | 21.5 | 105 | 3.6 |
| 50 | 32 | 40 | 17 | 64 | G3/8 | 10.4 | 8.5 | M16x1.5 | 28 | 106 | 5.1 |
| 63 | 32 | 45 | 17 | 75 | G3/8 | 12.4 | 10 | M16x1.5 | 28.5 | 121 | 6.6 |
| 80 | 40 | 45 | 17 | 93 | G3/8 | 12.5 | 8 | M20x1.5 | 34.7 | 128 | 10.5 |
| 100 | 40 | 55 | 17 | 110 | G1/2 | 12 | 10 | M20x1.5 | 38.2 | 138 | 8 |


| ∅ [mm] | MM ∅ | PL | RT | TG | VA | VD | WH | ZJ | ∅C1 | ∅C2 | ∅C3 |
|-----------|---------|------|-----|------|----|------|----|-----|-----|-----|-----|
| 32 | 12 | 15.6 | M6 | 32.5 | 4 | 10 | 26 | 120 | 10 | 16 | 6 |
| 40 | 16 | 14 | M6 | 38 | 4 | 10.5 | 30 | 135 | 13 | 18 | 6 |
| 50 | 20 | 14 | M8 | 46.5 | 4 | 11.5 | 37 | 143 | 17 | 24 | 8 |
| 63 | 20 | 17 | M8 | 56.5 | 4 | 15 | 37 | 158 | 17 | 24 | 8 |
| 80 | 25 | 16.4 | M10 | 72 | 4 | 15.7 | 46 | 174 | 22 | 30 | 6 |
| 100 | 25 | 18.8 | M10 | 89 | 4 | 19.2 | 51 | 189 | 22 | 30 | 6 |

Note: This product conforms to ISO 1179-1 and ISO 228-1


Standard cylinders DNC-C180, to ISO 15552

FESTO

Technical data

| Ordering data | | | | | | | | |
|---|------------------|----------------|-----------------------|-----------------------|------------------|----------------|-----------------------|------------------------|
| Type | Piston Ø [mm] | Stroke [mm] | With position sensing | | Piston Ø [mm] | Stroke [mm] | With position sensing | |
| | | | Part No. | Type ¹⁾ | | | Part No. | Type ¹⁾ |
|  | 32 | 50 | 567882 | DNC-32-50-PPV-A-C180 | 63 | 50 | 567909 | DNC-63-50-PPV-A-C180 |
| | | 80 | 567883 | DNC-32-80-PPV-A-C180 | | 80 | 567910 | DNC-63-80-PPV-A-C180 |
| | | 100 | 567884 | DNC-32-100-PPV-A-C180 | | 100 | 567911 | DNC-63-100-PPV-A-C180 |
| | | 125 | 567885 | DNC-32-125-PPV-A-C180 | | 125 | 567912 | DNC-63-125-PPV-A-C180 |
| | | 160 | 567886 | DNC-32-160-PPV-A-C180 | | 160 | 567913 | DNC-63-160-PPV-A-C180 |
| | | 200 | 567887 | DNC-32-200-PPV-A-C180 | | 200 | 567914 | DNC-63-200-PPV-A-C180 |
| | | 250 | 567888 | DNC-32-250-PPV-A-C180 | | 250 | 567915 | DNC-63-250-PPV-A-C180 |
| | | 320 | 567889 | DNC-32-320-PPV-A-C180 | | 320 | 567916 | DNC-63-320-PPV-A-C180 |
| | 40 | 50 | 567891 | DNC-40-50-PPV-A-C180 | 80 | 50 | 567918 | DNC-80-50-PPV-A-C180 |
| | | 80 | 567892 | DNC-40-80-PPV-A-C180 | | 80 | 567919 | DNC-80-80-PPV-A-C180 |
| | | 100 | 567893 | DNC-40-100-PPV-A-C180 | | 100 | 567920 | DNC-80-100-PPV-A-C180 |
| | | 125 | 567894 | DNC-40-125-PPV-A-C180 | | 125 | 567921 | DNC-80-125-PPV-A-C180 |
| | | 160 | 567895 | DNC-40-160-PPV-A-C180 | | 160 | 567922 | DNC-80-160-PPV-A-C180 |
| | | 200 | 567896 | DNC-40-200-PPV-A-C180 | | 200 | 567923 | DNC-80-200-PPV-A-C180 |
| | | 250 | 567897 | DNC-40-250-PPV-A-C180 | | 250 | 567924 | DNC-80-250-PPV-A-C180 |
| | | 320 | 567898 | DNC-40-320-PPV-A-C180 | | 320 | 567925 | DNC-80-320-PPV-A-C180 |
| | 50 | 50 | 567900 | DNC-50-50-PPV-A-C180 | 100 | 50 | 567927 | DNC-100-50-PPV-A-C180 |
| | | 80 | 567901 | DNC-50-80-PPV-A-C180 | | 80 | 567928 | DNC-100-80-PPV-A-C180 |
| | | 100 | 567902 | DNC-50-100-PPV-A-C180 | | 100 | 567929 | DNC-100-100-PPV-A-C180 |
| | | 125 | 567903 | DNC-50-125-PPV-A-C180 | | 125 | 567930 | DNC-100-125-PPV-A-C180 |
| | | 160 | 567904 | DNC-50-160-PPV-A-C180 | | 160 | 567931 | DNC-100-160-PPV-A-C180 |
| | | 200 | 567905 | DNC-50-200-PPV-A-C180 | | 200 | 567932 | DNC-100-200-PPV-A-C180 |
| | | 250 | 567906 | DNC-50-250-PPV-A-C180 | | 250 | 567933 | DNC-100-250-PPV-A-C180 |
| | | 320 | 567907 | DNC-50-320-PPV-A-C180 | | 320 | 567934 | DNC-100-320-PPV-A-C180 |

1) The mounting nut on the piston rod thread is included in the scope of delivery

| Ordering data – Variable stroke | | | | |
|---|------------------|---------------------------------------|-----------------------|------------------------|
| Type | Piston Ø [mm] | Variable stroke ²⁾ [mm] | With position sensing | |
| | | | Part No. | Type ¹⁾ |
|  | 32 | 2 ... 2,000 | 567890 | DNC-32-...-PPV-A-C180 |
| | 40 | 2 ... 2,000 | 567899 | DNC-40-...-PPV-A-C180 |
| | 50 | 2 ... 2,000 | 567908 | DNC-50-...-PPV-A-C180 |
| | 63 | 3 ... 2,000 | 567917 | DNC-63-...-PPV-A-C180 |
| | 80 | 3 ... 2,000 | 567926 | DNC-80-...-PPV-A-C180 |
| | 100 | 3 ... 2,000 | 567935 | DNC-100-...-PPV-A-C180 |

1) The mounting nut on the piston rod thread is included in the scope of delivery

2) Cylinders with position sensing require a minimum stroke of 10 mm to ensure reliable sensing

Standard cylinders DNC-C180, to ISO 15552

Accessories



Multi-position kit DPNC

Materials:

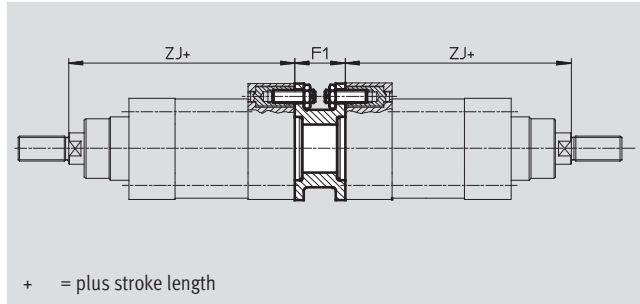
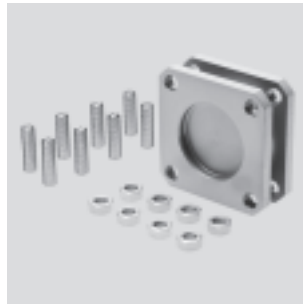
Flange: Wrought aluminium alloy

Threaded studs, hex nuts:

Galvanised steel

Free of copper and PTFE

RoHS-compliant



| Dimensions and ordering data | | | | | | |
|------------------------------|----|-----|----------------------------|--------|---------------|-----------------|
| For Ø | F1 | ZJ | Max. overall stroke length | Weight | Part No. | Type |
| [mm] | | | [mm] | [g] | | |
| 32 | 27 | 120 | 1,000 | 85 | 174418 | DPNC-32 |
| 40 | 27 | 135 | 1,000 | 115 | 174419 | DPNC-40 |
| 50 | 32 | 143 | 1,000 | 210 | 174420 | DPNC-50 |
| 63 | 28 | 158 | 1,000 | 360 | 174421 | DPNC-63 |
| 80 | 38 | 174 | 1,000 | 620 | 174422 | DPNC-80 |
| 100 | 38 | 189 | 1,000 | 1,190 | 174423 | DPNC-100 |

Note
The maximum overall stroke length must not be exceeded when combining cylinders and multi-position kits.

Connecting two cylinders with identical piston diameter as a 3 or 4-position cylinder

A 3 or 4-position cylinder consists of two separate cylinders whose piston rods advance in opposing directions.

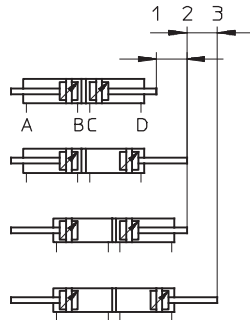
This means that depending on actuation and stroke division, this type of cylinder can assume up to four

positions. In each case the cylinder is driven precisely against a stop. Note that when one end of the piston rod is

fixed, the cylinder barrel executes the movement. The cylinder's connections must be flexible.

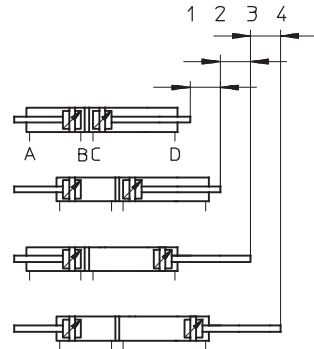
To achieve 3 positions

Two cylinders with identical stroke length must be connected together.



To achieve 4 positions

Two cylinders with different stroke lengths must be connected together.



Standard cylinders DNC-C180, to ISO 15552

Accessories

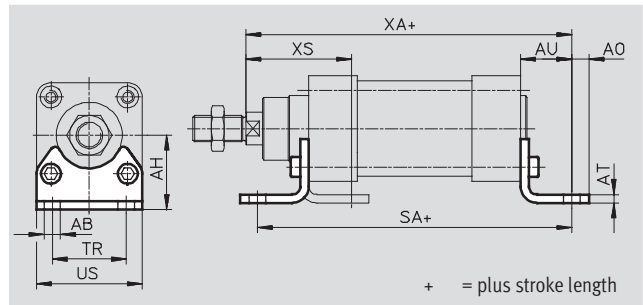
Foot mounting HNC/CRHNC

Materials:

HNC: Galvanised steel

CRHNC: High-alloy steel

Free of copper and PTFE



| Dimensions and ordering data | | | | | | | | | | |
|------------------------------|---------------------|----|------|----|----|-----|----|-----|-----|----|
| For \varnothing | AB \varnothing | AH | AO | AT | AU | SA | TR | US | XA | XS |
| [mm] | | | | | | | | | | |
| 32 | 7 | 32 | 6.5 | 4 | 24 | 142 | 32 | 45 | 144 | 45 |
| 40 | 10 | 36 | 9 | 4 | 28 | 161 | 36 | 54 | 163 | 53 |
| 50 | 10 | 45 | 9.5 | 5 | 32 | 170 | 45 | 64 | 175 | 62 |
| 63 | 10 | 50 | 12.5 | 5 | 32 | 185 | 50 | 75 | 190 | 63 |
| 80 | 12 | 63 | 15 | 6 | 41 | 210 | 63 | 93 | 215 | 81 |
| 100 | 14.5 | 71 | 17.5 | 6 | 41 | 220 | 75 | 110 | 230 | 86 |

| For \varnothing | Basic version | | | | High corrosion protection | | | |
|-------------------|-------------------|------------|---------------|----------------|---------------------------|------------|---------------|------------------|
| | CRC ¹⁾ | Weight [g] | Part No. | Type | CRC ¹⁾ | Weight [g] | Part No. | Type |
| [mm] | | | | | | | | |
| 32 | 2 | 144 | 174369 | HNC-32 | 4 | 139 | 176937 | CRHNC-32 |
| 40 | 2 | 193 | 174370 | HNC-40 | 4 | 188 | 176938 | CRHNC-40 |
| 50 | 2 | 353 | 174371 | HNC-50 | 4 | 341 | 176939 | CRHNC-50 |
| 63 | 2 | 436 | 174372 | HNC-63 | 4 | 424 | 176940 | CRHNC-63 |
| 80 | 2 | 829 | 174373 | HNC-80 | 4 | 809 | 176941 | CRHNC-80 |
| 100 | 2 | 1,009 | 174374 | HNC-100 | 4 | 990 | 176942 | CRHNC-100 |

1) Corrosion resistance class 2 according to Festo standard 940 070
 Components subject to moderate corrosion stress. Externally visible parts with primarily decorative surface requirements which are in direct contact with a normal industrial environment or media such as coolants or lubricating agents.
 Corrosion resistance class 4 according to Festo standard 940 070
 Components subject to particularly high corrosion stress. Parts used with aggressive media, e.g. in the food or chemical industry. These applications should be supported with special tests with the media if required.

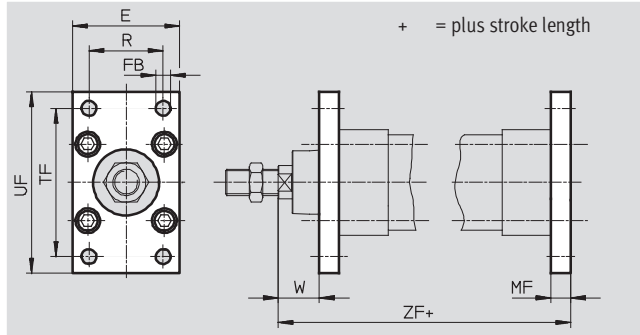
Standard cylinders DNC-C180, to ISO 15552

Accessories

Flange mounting FNC/CRFNG

Materials:

- FNC: Galvanised steel
- CRFNG: High-alloy steel
- Free of copper and PTFE
- RoHS-compliant



| Dimensions and ordering data | | | | | | | | |
|------------------------------|-----|----------------------------|----|----|-----|-----|----|-----|
| For \varnothing [mm] | E | FB \varnothing H13 | MF | R | TF | UF | W | ZF |
| 32 | 45 | 7 | 10 | 32 | 64 | 80 | 16 | 130 |
| 40 | 54 | 9 | 10 | 36 | 72 | 90 | 20 | 145 |
| 50 | 65 | 9 | 12 | 45 | 90 | 110 | 25 | 155 |
| 63 | 75 | 9 | 12 | 50 | 100 | 120 | 25 | 170 |
| 80 | 93 | 12 | 16 | 63 | 126 | 150 | 30 | 190 |
| 100 | 110 | 14 | 16 | 75 | 150 | 175 | 35 | 205 |

| For \varnothing [mm] | Basic version | | | | High corrosion protection | | | |
|---------------------------|-------------------|---------------|---------------|----------------|---------------------------|---------------|---------------|------------------|
| | CRC ¹⁾ | Weight [g] | Part No. | Type | CRC ¹⁾ | Weight [g] | Part No. | Type |
| 32 | 1 | 221 | 174376 | FNC-32 | 4 | 240 | 161846 | CRFNG-32 |
| 40 | 1 | 291 | 174377 | FNC-40 | 4 | 300 | 161847 | CRFNG-40 |
| 50 | 1 | 536 | 174378 | FNC-50 | 4 | 550 | 161848 | CRFNG-50 |
| 63 | 1 | 679 | 174379 | FNC-63 | 4 | 710 | 161849 | CRFNG-63 |
| 80 | 1 | 1,495 | 174380 | FNC-80 | 4 | 1,680 | 161850 | CRFNG-80 |
| 100 | 1 | 2,041 | 174381 | FNC-100 | 4 | 2,450 | 161851 | CRFNG-100 |

1) CRC1: Corrosion resistance class to Festo standard 940070
 Components with light corrosion exposure. Protection for transport and storage. Components without significant decorative function or surface, e.g. installed out of sight internally or behind covers.
 Corrosion resistance class 4 according to Festo standard 940 070
 Components subject to particularly high corrosion stress. Parts used with aggressive media, e.g. in the food or chemical industry. These applications should be supported with special tests with the media if required.

Standard cylinders DNC-C180, to ISO 15552

Accessories

Trunnion flange ZNCF/CRZNG

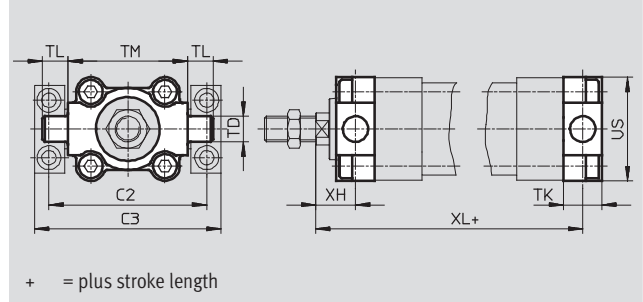
Materials:

ZNCF: Stainless steel casting

CRZNG: Electropolished stainless steel casting

Free of copper and PTFE

RoHS-compliant



+ = plus stroke length

| Dimensions and ordering data | | | | | | | | | |
|------------------------------|-----|-----|---------------------------|----|----|-----|-----|----|-----|
| For \varnothing | C2 | C3 | TD \varnothing e9 | TK | TL | TM | US | XH | XL |
| [mm] | | | | | | | | | |
| 32 | 71 | 86 | 12 | 16 | 12 | 50 | 45 | 18 | 128 |
| 40 | 87 | 105 | 16 | 20 | 16 | 63 | 54 | 20 | 145 |
| 50 | 99 | 117 | 16 | 24 | 16 | 75 | 64 | 25 | 155 |
| 63 | 116 | 136 | 20 | 24 | 20 | 90 | 75 | 25 | 170 |
| 80 | 136 | 156 | 20 | 28 | 20 | 110 | 93 | 32 | 188 |
| 100 | 164 | 189 | 25 | 38 | 25 | 132 | 110 | 32 | 208 |

| For \varnothing [mm] | Basic version | | | | High corrosion protection | | | |
|---------------------------|-------------------|------------|---------------|-----------------|---------------------------|------------|---------------|------------------|
| | CRC ¹⁾ | Weight [g] | Part No. | Type | CRC ¹⁾ | Weight [g] | Part No. | Type |
| 32 | 2 | 130 | 174411 | ZNCF-32 | 4 | 150 | 161852 | CRZNG-32 |
| 40 | 2 | 240 | 174412 | ZNCF-40 | 4 | 260 | 161853 | CRZNG-40 |
| 50 | 2 | 390 | 174413 | ZNCF-50 | 4 | 430 | 161854 | CRZNG-50 |
| 63 | 2 | 600 | 174414 | ZNCF-63 | 4 | 640 | 161855 | CRZNG-63 |
| 80 | 2 | 1,150 | 174415 | ZNCF-80 | 4 | 1,300 | 161856 | CRZNG-80 |
| 100 | 2 | 2,030 | 174416 | ZNCF-100 | 4 | 2,400 | 161857 | CRZNG-100 |

1) Corrosion resistance class 2 according to Festo standard 940 070
 Components subject to moderate corrosion stress. Externally visible parts with primarily decorative surface requirements which are in direct contact with a normal industrial environment or media such as coolants or lubricating agents.
 Corrosion resistance class 4 according to Festo standard 940 070
 Components subject to particularly high corrosion stress. Parts used with aggressive media, e.g. in the food or chemical industry. These applications should be supported with special tests with the media if required.

Standard cylinders DNC-C180, to ISO 15552

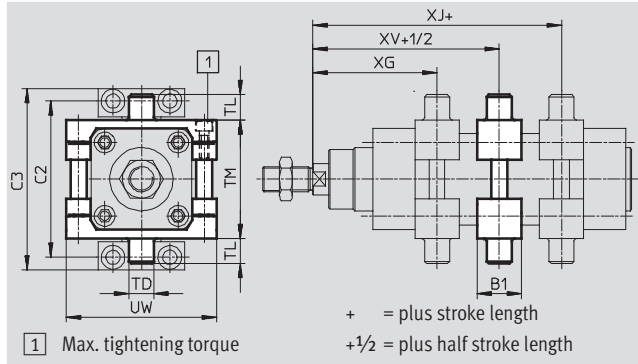


Accessories

Trunnion mounting kit ZNCM for basic version DNC

The mounting kit can be attached at any position along the profile barrel of a cylinder.

Materials:
Tempered steel
Free of copper and PTFE



| Dimensions and ordering data | | | | | | | | |
|------------------------------|----|-----|-----|---------------------------|----|-----|-----|-------|
| For \varnothing [mm] | B1 | C2 | C3 | TD \varnothing e9 | TL | TM | UW | XG |
| 32 | 30 | 71 | 86 | 12 | 12 | 50 | 65 | 66.1 |
| 40 | 32 | 87 | 105 | 16 | 16 | 63 | 75 | 75.6 |
| 50 | 34 | 99 | 117 | 16 | 16 | 75 | 95 | 83.6 |
| 63 | 41 | 116 | 136 | 20 | 20 | 90 | 105 | 93.1 |
| 80 | 44 | 136 | 156 | 20 | 20 | 110 | 130 | 103.9 |
| 100 | 48 | 164 | 189 | 25 | 25 | 132 | 145 | 113.8 |

| For \varnothing [mm] | XG | XJ | XV | Max. tightening torque [Nm] | CRC ¹⁾ | Weight [g] | Part No. | Type |
|---------------------------|-------|-------|------|-----------------------------------|-------------------|---------------|----------|----------|
| 32 | 66.1 | 79.9 | 73 | 4+1 | 2 | 224 | 163525 | ZNCM-32 |
| 40 | 75.6 | 89.4 | 82.5 | 8+1 | 2 | 396 | 163526 | ZNCM-40 |
| 50 | 83.6 | 96.4 | 90 | 8+2 | 2 | 616 | 163527 | ZNCM-50 |
| 63 | 93.1 | 101.9 | 97.5 | 18+2 | 2 | 931 | 163528 | ZNCM-63 |
| 80 | 103.9 | 116.1 | 110 | 28+2 | 2 | 1,494 | 163529 | ZNCM-80 |
| 100 | 113.8 | 126.2 | 120 | 28+2 | 2 | 2,095 | 163530 | ZNCM-100 |

1) Corrosion resistance class 2 according to Festo standard 940 070
Components subject to moderate corrosion stress. Externally visible parts with primarily decorative surface requirements which are in direct contact with a normal industrial environment or media such as coolants or lubricating agents.

Standard cylinders DNC-C180, to ISO 15552

Accessories

Trunnion support LNZG

Materials:

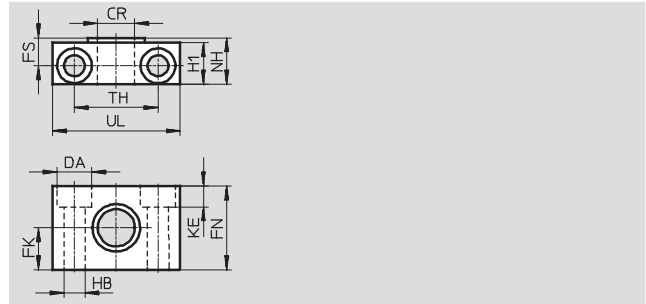
Trunnion support:

Anodised aluminium

Plain bearing: Plastic

Free of copper and PTFE

RoHS-compliant



| Dimensions and ordering data | | | | | | | | | | | | | | | |
|------------------------------|-------------------|-------------------|-------------------------|----|------|------|-------------------|-----|------|-----------|----|-------------------|--------|--------------|---------------------|
| For \varnothing | CR | DA | FK | FN | FS | H1 | HB | KE | NH | TH | UL | CRC ¹⁾ | Weight | Part No. | Type |
| [mm] | \varnothing D11 | \varnothing H13 | \varnothing ± 0.1 | | | | \varnothing H13 | | | ± 0.2 | | | [g] | | |
| 32 | 12 | 11 | 15 | 30 | 10.5 | 15 | 6.6 | 6.8 | 18 | 32 | 46 | 2 | 90 | 32959 | LNZG-32 |
| 40, 50 | 16 | 15 | 18 | 36 | 12 | 18 | 9 | 9 | 21 | 36 | 55 | 2 | 140 | 32960 | LNZG-40/50 |
| 63, 80 | 20 | 18 | 20 | 40 | 13 | 20 | 11 | 11 | 23 | 42 | 65 | 2 | 190 | 32961 | LNZG-63/80 |
| 100 | 25 | 20 | 25 | 50 | 16 | 24.5 | 14 | 13 | 28.5 | 50 | 75 | 2 | 320 | 32962 | LNZG-100/125 |

1) Corrosion resistance class 2 according to Festo standard 940 070

Components subject to moderate corrosion stress. Externally visible parts with primarily decorative surface requirements which are in direct contact with a normal industrial environment or media such as coolants or lubricating agents.

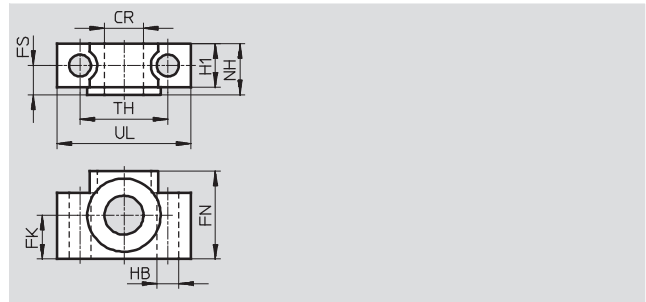
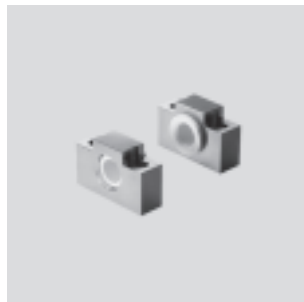
Trunnion support CRLNZG

Materials:

High-alloy steel

Free of copper and PTFE

RoHS-compliant



| Dimensions and ordering data | | | | | | | | | | | | | | |
|------------------------------|-------------------|-------------------------|----|------|------|-------------------|------|-----------|----|-------------------|--------|---------------|---------------------|--|
| For \varnothing | CR | FK | FN | FS | H1 | HB | NH | TH | UL | CRC ¹⁾ | Weight | Part No. | Type | |
| [mm] | \varnothing D11 | \varnothing ± 0.1 | | | | \varnothing H13 | | ± 0.2 | | | [g] | | | |
| 32 | 12 | 15 | 30 | 10.5 | 15 | 6.6 | 18 | 32 | 46 | 4 | 200 | 161874 | CRLNZG-32 | |
| 40, 50 | 16 | 18 | 36 | 12 | 18 | 9 | 21 | 36 | 55 | 4 | 330 | 161875 | CRLNZG-40/50 | |
| 63, 80 | 20 | 20 | 40 | 13 | 20 | 11 | 23 | 42 | 65 | 4 | 440 | 161876 | CRLNZG-63/80 | |
| 100 | 25 | 25 | 50 | 16 | 24.5 | 14 | 28.5 | 50 | 75 | 4 | 740 | 161877 | CRLNZG-100 | |

1) Corrosion resistance class 4 according to Festo standard 940 070

Components subject to particularly high corrosion stress. Parts used with aggressive media, e.g. in the food or chemical industry. These applications should be supported with special tests with the media if required.

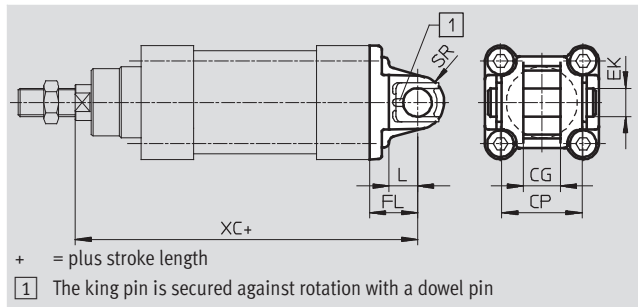
Standard cylinders DNC-C180, to ISO 15552

Accessories



Swivel flange SNC

Materials:
Die-cast aluminium
Free of copper and PTFE
RoHS-compliant



| Dimensions and ordering data | | | | | | | | | | | | |
|------------------------------|-----|-----|---------------------|-----------------|----|----|-----|-----|-------------------|--------|---------------|----------------|
| For \varnothing | CG | CP | EK \varnothing | FL ± 0.2 | L | SR | XC | | CRC ¹⁾ | Weight | Part No. | Type |
| [mm] | H14 | h14 | H9 | | | | | KP | | [g] | | |
| 32 | 14 | 34 | 10 | 22 | 13 | 10 | 142 | 187 | 2 | 90 | 174383 | SNC-32 |
| 40 | 16 | 40 | 12 | 25 | 16 | 12 | 160 | 213 | 2 | 120 | 174384 | SNC-40 |
| 50 | 21 | 45 | 16 | 27 | 16 | 12 | 170 | 237 | 2 | 240 | 174385 | SNC-50 |
| 63 | 21 | 51 | 16 | 32 | 21 | 16 | 190 | 266 | 2 | 320 | 174386 | SNC-63 |
| 80 | 25 | 65 | 20 | 36 | 22 | 16 | 210 | 305 | 2 | 625 | 174387 | SNC-80 |
| 100 | 25 | 75 | 20 | 41 | 27 | 20 | 230 | 328 | 2 | 830 | 174388 | SNC-100 |

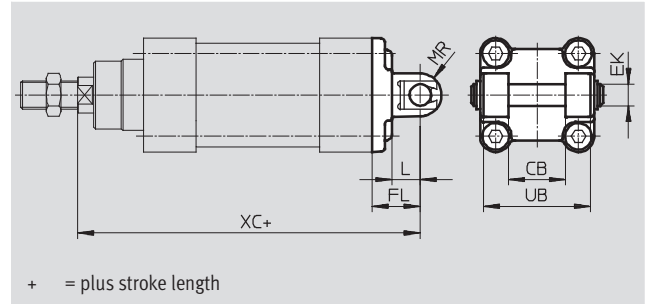
1) Corrosion resistance class 2 according to Festo standard 940 070
Components subject to moderate corrosion stress. Externally visible parts with primarily decorative surface requirements which are in direct contact with a normal industrial environment or media such as coolants or lubricating agents.

Standard cylinders DNC-C180, to ISO 15552

Accessories

Swivel flange SNCB/SNCB-...-R3

Materials:
 SNCB: Die-cast aluminium
 SNCB-...-R3: Die-cast aluminium with protective coating, high corrosion protection
 Free of copper and PTFE
 RoHS-compliant



| Dimensions and ordering data | | | | | | | |
|------------------------------|-----|---------------------|-----------|----|-----|-----|-----|
| For \varnothing | CB | EK | FL | L | MR | UB | XC |
| [mm] | H14 | \varnothing e8 | ± 0.2 | | | h14 | |
| 32 | 26 | 10 | 22 | 13 | 8.5 | 45 | 142 |
| 40 | 28 | 12 | 25 | 16 | 12 | 52 | 160 |
| 50 | 32 | 12 | 27 | 16 | 12 | 60 | 170 |
| 63 | 40 | 16 | 32 | 21 | 16 | 70 | 190 |
| 80 | 50 | 16 | 36 | 22 | 16 | 90 | 210 |
| 100 | 60 | 20 | 41 | 27 | 20 | 110 | 230 |

| For \varnothing | Basic version | | | | Variant R3 – High corrosion protection | | | |
|-------------------|-------------------|------------|----------------|-----------------|--|------------|----------------|--------------------|
| | CRC ¹⁾ | Weight [g] | Part No. | Type | CRC ¹⁾ | Weight [g] | Part No. | Type |
| [mm] | | | | | | | | |
| 32 | 2 | 103 | 174 390 | SNCB-32 | 3 | 100 | 176 944 | SNCB-32-R3 |
| 40 | 2 | 155 | 174 391 | SNCB-40 | 3 | 151 | 176 945 | SNCB-40-R3 |
| 50 | 2 | 232 | 174 392 | SNCB-50 | 3 | 228 | 176 946 | SNCB-50-R3 |
| 63 | 2 | 375 | 174 393 | SNCB-63 | 3 | 371 | 176 947 | SNCB-63-R3 |
| 80 | 2 | 636 | 174 394 | SNCB-80 | 3 | 632 | 176 948 | SNCB-80-R3 |
| 100 | 2 | 1035 | 174 395 | SNCB-100 | 3 | 986 | 176 949 | SNCB-100-R3 |

1) Corrosion resistance class 2 according to Festo standard 940 070
 Components subject to moderate corrosion stress. Externally visible parts with primarily decorative surface requirements which are in direct contact with a normal industrial environment or media such as coolants or lubricating agents.
 Corrosion resistance class 3 according to Festo standard 940 070
 Components subject to high corrosion stress. External visible parts in direct contact with industrial atmospheres or media such as solvents and cleaning agents, with a predominantly functional requirement for the surface.

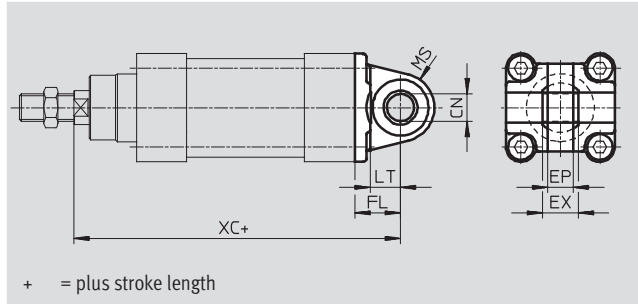
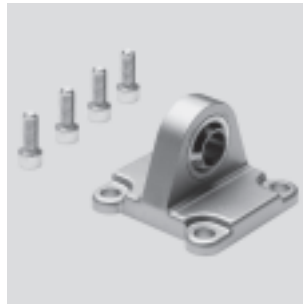
Standard cylinders DNC-C180, to ISO 15552



Accessories

Swivel flange SNCS

Materials:
Die-cast aluminium
Free of copper and PTFE
RoHS-compliant

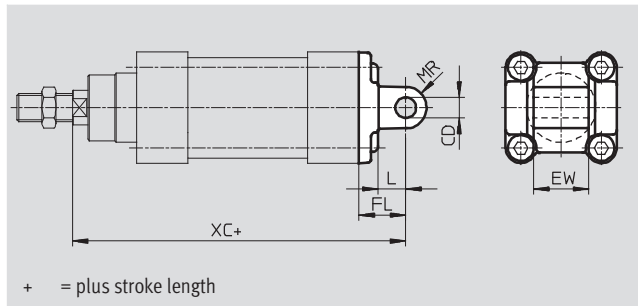
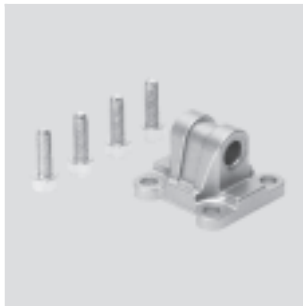


| Dimensions and ordering data | | | | | | | | | | | |
|------------------------------|---------------------|-----------|----|-----------|----|----|-----|-------------------|--------|----------|----------|
| For \varnothing | CN | EP | EX | FL | LT | MS | XC | CRC ¹⁾ | Weight | Part No. | Type |
| [mm] | \varnothing H7 | ± 0.2 | | ± 0.2 | | | | | [g] | | |
| 32 | 10 | 10.5 | 14 | 22 | 13 | 15 | 142 | 2 | 85 | 174397 | SNCS-32 |
| 40 | 12 | 12 | 16 | 25 | 16 | 17 | 160 | 2 | 125 | 174398 | SNCS-40 |
| 50 | 16 | 15 | 21 | 27 | 16 | 20 | 170 | 2 | 210 | 174399 | SNCS-50 |
| 63 | 16 | 15 | 21 | 32 | 21 | 22 | 190 | 2 | 280 | 174400 | SNCS-63 |
| 80 | 20 | 18 | 25 | 36 | 22 | 27 | 210 | 2 | 540 | 174401 | SNCS-80 |
| 100 | 20 | 18 | 25 | 41 | 27 | 29 | 230 | 2 | 700 | 174402 | SNCS-100 |

1) Corrosion resistance class 2 according to Festo standard 940 070
Components subject to moderate corrosion stress. Externally visible parts with primarily decorative surface requirements which are in direct contact with a normal industrial environment or media such as coolants or lubricating agents.

Swivel flange SNCL

Materials:
Die-cast aluminium
Free of copper and PTFE
RoHS-compliant



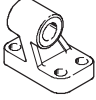
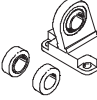
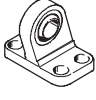

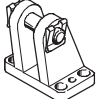
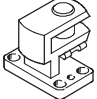
| Dimensions and ordering data | | | | | | | | | | |
|------------------------------|---------------------|-------------|-----------|----|----|-----|-------------------|--------|----------|----------|
| For \varnothing | CD | EW | FL | L | MR | XC | CRC ¹⁾ | Weight | Part No. | Type |
| [mm] | \varnothing H9 | $-0.2/-0.6$ | ± 0.2 | | | | | [g] | | |
| 32 | 10 | 26 | 22 | 13 | 10 | 142 | 2 | 75 | 174404 | SNCL-32 |
| 40 | 12 | 28 | 25 | 16 | 12 | 160 | 2 | 100 | 174405 | SNCL-40 |
| 50 | 12 | 32 | 27 | 16 | 12 | 170 | 2 | 160 | 174406 | SNCL-50 |
| 63 | 16 | 40 | 32 | 21 | 16 | 190 | 2 | 250 | 174407 | SNCL-63 |
| 80 | 16 | 50 | 36 | 22 | 16 | 210 | 2 | 405 | 174408 | SNCL-80 |
| 100 | 20 | 60 | 41 | 27 | 20 | 230 | 2 | 655 | 174409 | SNCL-100 |

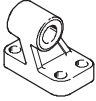
1) Corrosion resistance class 2 according to Festo standard 940 070
Components subject to moderate corrosion stress. Externally visible parts with primarily decorative surface requirements which are in direct contact with a normal industrial environment or media such as coolants or lubricating agents.

Standard cylinders DNC-C180, to ISO 15552

Accessories

FESTO


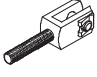
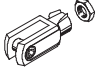
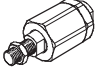
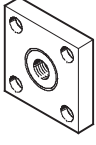
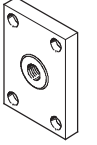
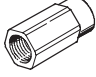
| Ordering data – Mounting attachments | | | | Technical data → Internet: clevis foot | | | |
|--|-------|----------|----------|--|-------|----------|-----------|
| Designation | For Ø | Part No. | Type | Designation | For Ø | Part No. | Type |
| Clevis foot LNG | | | | Clevis foot LSN | | | |
|  | 32 | 33890 | LNG-32 |  | 32 | 5561 | LSN-32 |
| | 40 | 33891 | LNG-40 | | 40 | 5562 | LSN-40 |
| | 50 | 33892 | LNG-50 | | 50 | 5563 | LSN-50 |
| | 63 | 33893 | LNG-63 | | 63 | 5564 | LSN-63 |
| | 80 | 33894 | LNG-80 | | 80 | 5565 | LSN-80 |
| | 100 | 33895 | LNG-100 | | 100 | 5566 | LSN-100 |
| Clevis foot LSNG | | | | Clevis foot LSNSG | | | |
|  | 32 | 31740 | LSNG-32 |  | 32 | 31747 | LSNSG-32 |
| | 40 | 31741 | LSNG-40 | | 40 | 31748 | LSNSG-40 |
| | 50 | 31742 | LSNG-50 | | 50 | 31749 | LSNSG-50 |
| | 63 | 31743 | LSNG-63 | | 63 | 31750 | LSNSG-63 |
| | 80 | 31744 | LSNG-80 | | 80 | 31751 | LSNSG-80 |
| | 100 | 31745 | LSNG-100 | | 100 | 31752 | LSNSG-100 |
| Clevis foot LBG | | | | Right-angle clevis foot LQG | | | |
|  | 32 | 31761 | LBG-32 |  | 32 | 31768 | LQG-32 |
| | 40 | 31762 | LBG-40 | | 40 | 31769 | LQG-40 |
| | 50 | 31763 | LBG-50 | | 50 | 31770 | LQG-50 |
| | 63 | 31764 | LBG-63 | | 63 | 31771 | LQG-63 |
| | 80 | 31765 | LBG-80 | | 80 | 31772 | LQG-80 |
| | 100 | 31766 | LBG-100 | | 100 | 31773 | LQG-100 |


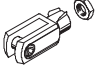
| Ordering data – Mounting attachments, corrosion-resistant | | | | Technical data → Internet: crlng | | | |
|---|-------|----------|------|----------------------------------|-------|----------|-----------|
| Designation | For Ø | Part No. | Type | Designation | For Ø | Part No. | Type |
| Clevis foot CRLNG | | | | Clevis foot CRLNG | | | |
|  | 32 | | | | | 161840 | CRLNG-32 |
| | 40 | | | | | 161841 | CRLNG-40 |
| | 50 | | | | | 161842 | CRLNG-50 |
| | 63 | | | | | 161843 | CRLNG-63 |
| | 80 | | | | | 161844 | CRLNG-80 |
| | 100 | | | | | 161845 | CRLNG-100 |

Standard cylinders DNC-C180, to ISO 15552

Accessories

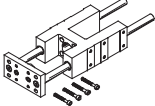
FESTO

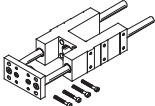
| Ordering data – Piston rod attachments | | | | Technical data → Internet: piston rod attachments | | | |
|---|-------|----------|-----------------|--|-------|----------|--------------|
| Designation | For Ø | Part No. | Type | Designation | For Ø | Part No. | Type |
| Rod eye SGS | | | | Rod clevis SGA | | | |
|  | 32 | 9261 | SGS-M10x1,25 |  | 32 | 32954 | SGA-M10x1,25 |
| | 40 | 9262 | SGS-M12x1,25 | | 40 | 10767 | SGA-M12x1,25 |
| | 50 | 9263 | SGS-M16x1,5 | | 50 | 10768 | SGA-M16x1,5 |
| | 63 | | | | | | |
| | 80 | 9264 | SGS-M20x1,5 | | 80 | 10769 | SGA-M20x1,5 |
| | 100 | | | | | | |
| Rod clevis SG | | | | Self-aligning rod coupler FK | | | |
|  | 32 | 6144 | SG-M10x1,25 |  | 32 | 6140 | FK-M10x1,25 |
| | 40 | 6145 | SG-M12x1,25 | | 40 | 6141 | FK-M12x1,25 |
| | 50 | 6146 | SG-M16x1,5 | | 50 | 6142 | FK-M16x1,5 |
| | 63 | | | | | | |
| | 80 | 6147 | SG-M20x1,5 | | 80 | 6143 | FK-M20x1,5 |
| | 100 | | | | | | |
| Coupling piece KSG | | | | Coupling piece KSZ | | | |
|  | 32 | 32963 | KSG-M10x1,25 |  | 32 | 36125 | KSZ-M10x1,25 |
| | 40 | 32964 | KSG-M12x1,25 | | 40 | 36126 | KSZ-M12x1,25 |
| | 50 | 32965 | KSG-M16x1,5 | | 50 | 36127 | KSZ-M16x1,5 |
| | 63 | | | | | | |
| | 80 | 32966 | KSG-M20x1,5 | | 80 | 36128 | KSZ-M20x1,5 |
| | 100 | | | | | | |
| Adapter AD | | | | | | | |
|  | 32 | 157333 | AD-M10x1,25-1/8 | | | | |
| | | 157334 | AD-M10x1,25-1/4 | | | | |
| | 40 | 160256 | AD-M12x1,25-1/4 | | | | |
| | | 160257 | AD-M12x1,25-3/8 | | | | |

| Ordering data – Piston rod attachments, corrosion-resistant | | | | Technical data → Internet: crsg | | | |
|---|-------|----------|----------------|---|-------|----------|---------------|
| Designation | For Ø | Part No. | Type | Designation | For Ø | Part No. | Type |
| Rod eye CRSGS | | | | Rod clevis CRSG | | | |
|  | 32 | 195582 | CRSGS-M10x1,25 |  | 32 | 13569 | CRSG-M10x1,25 |
| | 40 | 195583 | CRSGS-M12x1,25 | | 40 | 13570 | CRSG-M12x1,25 |
| | 50 | 195584 | CRSGS-M16x1,5 | | 50 | 13571 | CRSG-M16x1,5 |
| | 63 | | | | | | |
| | 80 | 195585 | CRSGS-M20x1,5 | | 80 | 13572 | CRSG-M20x1,5 |
| | 100 | | | | | | |

Standard cylinders DNC-C180, to ISO 15552

Accessories

| Ordering data – Guide units for fixed strokes (recirculating ball bearing guide only) | | | | Technical data → Internet: festo | | |
|---|-------------|----------|----------------|----------------------------------|----------|-----------------|
| | Stroke [mm] | Part No. | Type | Stroke [mm] | Part No. | Type |
|  | For Ø 32 mm | | | For Ø 40 mm | | |
| | 10 ... 50 | 34493 | FENG-32-50-KF | 10 ... 50 | 34499 | FENG-40-50-KF |
| | 10 ... 100 | 34494 | FENG-32-100-KF | 10 ... 100 | 34500 | FENG-40-100-KF |
| | 10 ... 160 | 34495 | FENG-32-160-KF | 10 ... 160 | 34501 | FENG-40-160-KF |
| | 10 ... 200 | 34496 | FENG-32-200-KF | 10 ... 200 | 34502 | FENG-40-200-KF |
| | 10 ... 250 | 150289 | FENG-32-250-KF | 10 ... 250 | 34503 | FENG-40-250-KF |
| | 10 ... 320 | 34497 | FENG-32-320-KF | 10 ... 320 | 34504 | FENG-40-320-KF |
| | 10 ... 400 | 150290 | FENG-32-400-KF | 10 ... 400 | 150291 | FENG-40-400-KF |
| | 10 ... 500 | 34498 | FENG-32-500-KF | 10 ... 500 | 34505 | FENG-40-500-KF |
| | For Ø 50 mm | | | For Ø 63 mm | | |
| | 10 ... 50 | 34506 | FENG-50-50-KF | 10 ... 50 | 34513 | FENG-63-50-KF |
| | 10 ... 100 | 34507 | FENG-50-100-KF | 10 ... 100 | 34514 | FENG-63-100-KF |
| | 10 ... 160 | 34508 | FENG-50-160-KF | 10 ... 160 | 34515 | FENG-63-160-KF |
| | 10 ... 200 | 34509 | FENG-50-200-KF | 10 ... 200 | 34516 | FENG-63-200-KF |
| | 10 ... 250 | 34510 | FENG-50-250-KF | 10 ... 250 | 34517 | FENG-63-250-KF |
| | 10 ... 320 | 34511 | FENG-50-320-KF | 10 ... 320 | 34518 | FENG-63-320-KF |
| | 10 ... 400 | 150292 | FENG-50-400-KF | 10 ... 400 | 34519 | FENG-63-400-KF |
| | 10 ... 500 | 34512 | FENG-50-500-KF | 10 ... 500 | 34520 | FENG-63-500-KF |
| | For Ø 80 mm | | | For Ø 100 mm | | |
| | 10 ... 50 | 34521 | FENG-80-50-KF | 10 ... 50 | 34529 | FENG-100-50-KF |
| | 10 ... 100 | 34522 | FENG-80-100-KF | 10 ... 100 | 34530 | FENG-100-100-KF |
| | 10 ... 160 | 34523 | FENG-80-160-KF | 10 ... 160 | 34531 | FENG-100-160-KF |
| | 10 ... 200 | 34524 | FENG-80-200-KF | 10 ... 200 | 34532 | FENG-100-200-KF |
| | 10 ... 250 | 34525 | FENG-80-250-KF | 10 ... 250 | 34533 | FENG-100-250-KF |
| | 10 ... 320 | 34526 | FENG-80-320-KF | 10 ... 320 | 34534 | FENG-100-320-KF |
| | 10 ... 400 | 34527 | FENG-80-400-KF | 10 ... 400 | 34535 | FENG-100-400-KF |
| | 10 ... 500 | 34528 | FENG-80-500-KF | 10 ... 500 | 34536 | FENG-100-500-KF |

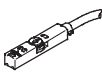
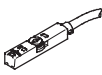
| Ordering data – Guide units for variable strokes | | | | Technical data → Internet: festo | | |
|---|------------|-------------|--|----------------------------------|-------------|---|
| | For Ø [mm] | Stroke [mm] | With recirculating ball bearing guide Part No. Type | For Ø [mm] | Stroke [mm] | With plain-bearing guide Part No. Type |
|  | 32 | 10 ... 500 | 34487 FENG-32-...-KF | 32 | 10 ... 500 | 34481 FENG-32-... |
| | 40 | 10 ... 500 | 34488 FENG-40-...-KF | 40 | 10 ... 500 | 34482 FENG-40-... |
| | 50 | 10 ... 500 | 34489 FENG-50-...-KF | 50 | 10 ... 500 | 34483 FENG-50-... |
| | 63 | 10 ... 500 | 34490 FENG-63-...-KF | 63 | 10 ... 500 | 34484 FENG-63-... |
| | 80 | 10 ... 500 | 34491 FENG-80-...-KF | 80 | 10 ... 500 | 34485 FENG-80-... |
| | 100 | 10 ... 500 | 34492 FENG-100-...-KF | 100 | 10 ... 500 | 34486 FENG-100-... |

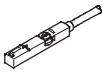
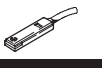
| Ordering data – Slot cover for T-slot | | | |
|---|-----------------------|----------|----------------|
| | Assembly | Length | Part No. Type |
|  | Insertable from above | 2x 0.5 m | 151680 ABP-5-S |



Standard cylinders DNC-C180, to ISO 15552


Accessories

FESTO

| Ordering data – Proximity sensors for T-slot, magneto-resistive | | | | | Technical data → Internet: smt | |
|---|--|---------------|-----------------------|------------------|--------------------------------|---------------------------|
| | Type of mounting | Switch output | Electrical connection | Cable length [m] | Part No. | Type |
| N/O contact | | | | | | |
|  | Insertable in the slot from above, flush with cylinder profile, short design | PNP | Cable, 3-wire | 2.5 | 574335 | SMT-8M-A-PS-24V-E-2,5-OE |
| | | | Plug M8x1, 3-pin | 0.3 | 574334 | SMT-8M-A-PS-24V-E-0,3-M8D |
| | | | Plug M12x1, 3-pin | 0.3 | 574337 | SMT-8M-A-PS-24V-E-0,3-M12 |
| | | NPN | Cable, 3-wire | 2.5 | 574338 | SMT-8M-A-NS-24V-E-2,5-OE |
| | | | Plug M8x1, 3-pin | 0.3 | 574339 | SMT-8M-A-NS-24V-E-0,3-M8D |
| N/C contact | | | | | | |
|  | Insertable in the slot from above, flush with cylinder profile, short design | PNP | Cable, 3-wire | 7.5 | 574340 | SMT-8M-A-PO-24V-E-7,5-OE |

| Ordering data – Proximity sensors for T-slot, magnetic reed | | | | | Technical data → Internet: sme | |
|---|--|------------------|-----------------------|------------------|--------------------------------|------------------------|
| | Type of mounting | Switching output | Electrical connection | Cable length [m] | Part No. | Type |
| N/O contact | | | | | | |
|  | Insertable in the slot from above, flush with the cylinder profile | Contacting | Cable, 3-wire | 2.5 | 543862 | SME-8M-DS-24V-K-2,5-OE |
| | | | | 5.0 | 543863 | SME-8M-DS-24V-K-5,0-OE |
| | | | Cable, 2-wire | 2.5 | 543872 | SME-8M-ZS-24V-K-2,5-OE |
| | | | | Plug M8x1, 3-pin | 0.3 | 543861 |
| N/C contact | | | | | | |
|  | Insertable in the slot from above, flush with the cylinder profile | Contacting | Cable, 3-wire | 7.5 | 546799 | SME-8M-DO-24V-K-7,5-OE |

| Ordering data – Connecting cables | | | | Technical data → Internet: nebu | |
|---|-------------------------------|------------------------------|------------------|---------------------------------|----------------------|
| | Electrical connection, left | Electrical connection, right | Cable length [m] | Part No. | Type |
|  | Straight socket, M8x1, 3-pin | Cable, open end, 3-wire | 2.5 | 541333 | NEBU-M8G3-K-2.5-LE3 |
| | | | 5 | 541334 | NEBU-M8G3-K-5-LE3 |
| | Straight socket, M12x1, 5-pin | Cable, open end, 3-wire | 2.5 | 541363 | NEBU-M12G5-K-2.5-LE3 |
| | | | 5 | 541364 | NEBU-M12G5-K-5-LE3 |
|  | Angled socket, M8x1, 3-pin | Cable, open end, 3-wire | 2.5 | 541338 | NEBU-M8W3-K-2.5-LE3 |
| | | | 5 | 541341 | NEBU-M8W3-K-5-LE3 |
| | Angled socket, M12x1, 5-pin | Cable, open end, 3-wire | 2.5 | 541367 | NEBU-M12W5-K-2.5-LE3 |
| | | | 5 | 541370 | NEBU-M12W5-K-5-LE3 |

| Ordering data – One-way flow control valves | | | | Technical data → Internet: grla | |
|---|-----------------|-----------------|--------------|---------------------------------|------------------------------|
| | Connection | | Material | Part No. | Type |
| | Thread | For tubing O.D. | | | |
|  | G $\frac{1}{8}$ | 3 | Metal design | 193142 | GRLA- $\frac{1}{8}$ -QS-3-D |
| | | 4 | | 193143 | GRLA- $\frac{1}{8}$ -QS-4-D |
| | | 6 | | 193144 | GRLA- $\frac{1}{8}$ -QS-6-D |
| | | 8 | | 193145 | GRLA- $\frac{1}{8}$ -QS-8-D |
| | G $\frac{1}{4}$ | 6 | | 193146 | GRLA- $\frac{1}{4}$ -QS-6-D |
| | | 8 | | 193147 | GRLA- $\frac{1}{4}$ -QS-8-D |
| | | 10 | | 193148 | GRLA- $\frac{1}{4}$ -QS-10-D |
| | G $\frac{3}{8}$ | 6 | | 193149 | GRLA- $\frac{3}{8}$ -QS-6-D |
| | | 8 | | 193150 | GRLA- $\frac{3}{8}$ -QS-8-D |
| | | 10 | | 193151 | GRLA- $\frac{3}{8}$ -QS-10-D |
| | G $\frac{1}{2}$ | 12 | | 193152 | GRLA- $\frac{1}{2}$ -QS-12-D |

Product Range and Company Overview

A Complete Suite of Automation Services

Our experienced engineers provide complete support at every stage of your development process, including: conceptualization, analysis, engineering, design, assembly, documentation, validation, and production.



Custom Automation Components
Complete custom engineered solutions



Custom Control Cabinets
Comprehensive engineering support and on-site services



Complete Systems
Shipment, stocking and storage services

The Broadest Range of Automation Components

With a comprehensive line of more than 30,000 automation components, Festo is capable of solving the most complex automation requirements.



Electromechanical
Electromechanical actuators, motors, controllers & drives



Pneumatics
Pneumatic linear and rotary actuators, valves, and air supply



PLCs and I/O Devices
PLC's, operator interfaces, sensors and I/O devices

Supporting Advanced Automation... As No One Else Can!

Festo is a leading global manufacturer of pneumatic and electromechanical systems, components and controls for industrial automation, with more than 12,000 employees in 56 national headquarters serving more than 180 countries. For more than 80 years, Festo has continuously elevated the state of manufacturing with innovations and optimized motion control solutions that deliver higher performing, more profitable automated manufacturing and processing equipment. Our dedication to the advancement of automation extends beyond technology to the education and development of current and future automation and robotics designers with simulation tools, teaching programs, and on-site services.

Quality Assurance, ISO 9001 and ISO 14001 Certifications

Festo Corporation is committed to supply all Festo products and services that will meet or exceed our customers' requirements in product quality, delivery, customer service and satisfaction.

To meet this commitment, we strive to ensure a consistent, integrated, and systematic approach to management that will meet or exceed the requirements of the ISO 9001 standard for Quality Management and the ISO 14001 standard for Environmental Management.



© Copyright 2008, Festo Corporation. While every effort is made to ensure that all dimensions and specifications are correct, Festo cannot guarantee that publications are completely free of any error, in particular typing or printing errors. Accordingly, Festo cannot be held responsible for the same. For Liability and Warranty conditions, refer to our "Terms and Conditions of Sale", available from your local Festo office. All rights reserved. No part of this publication may be reproduced, distributed, or transmitted in any form or by any means, electronic, mechanical, photocopying or otherwise, without the prior written permission of Festo. All technical data subject to change according to technical update.



Printed on recycled paper at New Horizon Graphic, Inc., FSC certified as an environmentally friendly printing plant.

Festo North America

Festo Regional Contact Center

5300 Explorer Drive
Mississauga, Ontario L4W 5G4
Canada

USA Customers:

For ordering assistance,

Call: 1.800.99.FESTO (1.800.993.3786)

Fax: 1.800.96.FESTO (1.800.963.3786)

Email: customer.service@us.festo.com

For technical support,

Call: 1.866.GO.FESTO (1.866.463.3786)

Fax: 1.800.96.FESTO (1.800.963.3786)

Email: product.support@us.festo.com

Canadian Customers:

Call: 1.877.GO.FESTO (1.877.463.3786)

Fax: 1.877.FX.FESTO (1.877.393.3786)

Email: festo.canada@ca.festo.com

USA Headquarters

Festo Corporation
395 Moreland Road
P.O. Box 18023
Hauppauge, NY 11788, USA
www.festo.com/us

USA Sales Offices

Appleton

North 922 Tower View Drive, Suite N
Greenville, WI 54942, USA

Boston

120 Presidential Way, Suite 330
Woburn, MA 01801, USA

Chicago

1441 East Business Center Drive
Mt. Prospect, IL 60056, USA

Dallas

1825 Lakeway Drive, Suite 600
Lewisville, TX 75057, USA

Detroit – Automotive Engineering Center

2601 Cambridge Court, Suite 320
Auburn Hills, MI 48326, USA

New York

395 Moreland Road
Hauppauge, NY 11788, USA

Silicon Valley

4935 Southfront Road, Suite F
Livermore, CA 94550, USA

United States



USA Headquarters, East: Festo Corp., 395 Moreland Road, Hauppauge, NY 11788

Phone: 1.631.435.0800; Fax: 1.631.435.8026;

Email: info@festo-usa.com

www.festo.com/us

Canada



Headquarters: Festo Inc., 5300 Explorer Drive, Mississauga, Ontario L4W 5G4

Phone: 1.905.624.9000; Fax: 1.905.624.9001;

Email: festo.canada@ca.festo.com

www.festo.ca

Mexico



Headquarters: Festo Pneumatic, S.A., Av. Ceylán 3, Col. Tequesquahuac,
54020 Tlalneantla, Edo. de México

Phone: 011 52 [55] 53 21 66 00; Fax: 011 52 [55] 53 21 66 65;

Email: festo.mexico@mx.festo.com

www.festo.com/mx

Central USA

Festo Corporation
1441 East Business
Center Drive
Mt. Prospect, IL 60056, USA
Phone: 1.847.759.2600
Fax: 1.847.768.9480



Western USA

Festo Corporation
4935 Southfront Road,
Suite F
Livermore, CA 94550, USA
Phone: 1.925.371.1099
Fax: 1.925.245.1286



Festo Worldwide

Argentina Australia Austria Belarus Belgium Brazil Bulgaria Canada Chile China Colombia Croatia Czech Republic Denmark
Estonia Finland France Germany Great Britain Greece Hong Kong Hungary India Indonesia Iran Ireland Israel Italy Japan Latvia
Lithuania Malaysia Mexico Netherlands New Zealand Norway Peru Philippines Poland Romania Russia Serbia Singapore
Slovakia Slovenia South Africa South Korea Spain Sweden Switzerland Taiwan Thailand Turkey Ukraine United States Venezuela

www.festo.com