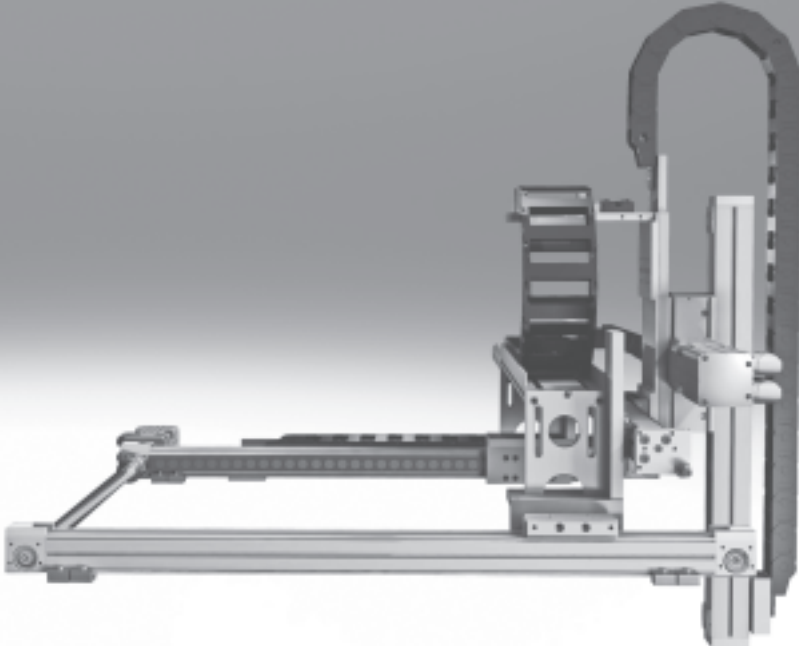


Toothed belt axes DGE



Toothed belt axes DGE

Key features

FESTO

At a glance

- Precision, rigid guide
- Highly adaptable, thanks to wide choice of mounting and attachment options
- Wide range of options for attaching drive units
- Comprehensive range of mounting accessories for multi-axis combinations
- Optimally adapted motor controller combinations

Basic version DGE-ZR

- Stroke lengths from 1 ... 4500 mm
- Without guide
- Low characteristic load values



With recirculating ball bearing guide DGE-ZR-KF

- Stroke lengths from 1 ... 4500 mm
- Standard slide or extended slide
- Medium to high characteristic load values



With protected version DGE-ZR-KF-GA

- Stroke lengths from 1 ... 1800 mm
- Standard slide
- Guide and slide are fitted with a cover to protect against the ingress of particles from above and the side



With roller guide DGE-ZR-RF

- Stroke lengths from 1 ... 5000 mm
- Standard slide or extended slide
- Internal, protected roller guide
- Medium characteristic load values
- High speeds possible



With heavy-duty guide DGE-ZR-HD

- Stroke lengths from 1 ... 2000 mm
- High guide precision
- Sturdy construction
- High characteristic load values



Toothed belt axes DGE

Key features

System selection for electromechanical drives

Toothed belt axis



Note

For the toothed-belt axes and the motors there are matching complete solutions.

Motor kit

Axial kit

→92



Axial kit consisting of:

- Motor flange
- Coupling housing
- Coupling
- Screws

Motor

→92



- 1 Servo motor EMMS-AS
- 2 Stepper motor EMMS-ST

Motor controller

Technical data → Internet: motor controller



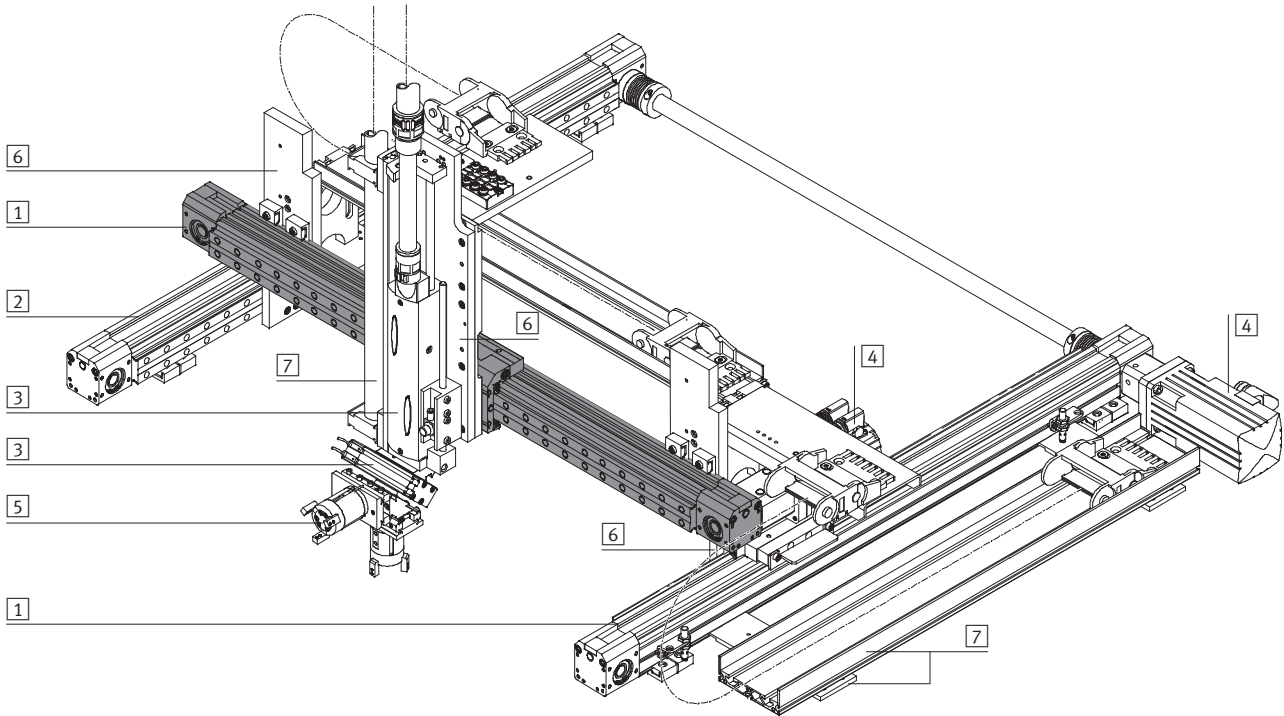
- 1 Servo motor ontroller CMMP-AS, CMMS-AS
- 2 Stepper motor controller CMMS-ST

Toothed belt axes DGE

System example

FESTO

System product for handling and assembly technology



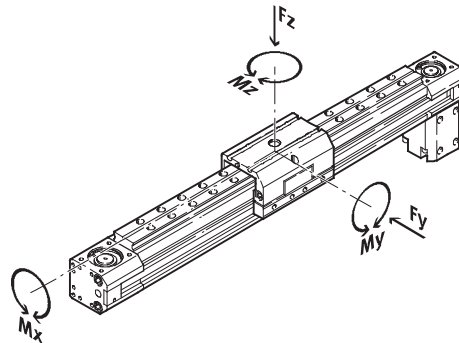
System components and accessories		
Type	Brief description	→ Page/Internet
1 Axes	Wide range of combination options within handling and assembly technology	axes
2 Passive guide axes	Diverse possible combinations in handling and assembly technology	guide axes
3 Drives	Wide range of combination options within handling and assembly technology	drive
4 Motors	Servo and stepper motors, with or without gearing	motor
5 Grippers	Wide range of combination options within handling and assembly technology	gripper
6 Adapters	For combining drives with drives and drives with grippers	adapter kit
7 Installation components	For achieving a clear-cut, safe layout for electrical cables and tubing	installation component

Toothed belt axes DGE

Selection aid

Guide characteristics

The data in the table are maximum values. The precise values for each variant can be found in the corresponding data sheet included in the catalogue.



Version	Size	Working stroke ¹⁾ [mm]	Speed [m/s]	Repetition accuracy [mm]	Feed force [N]	Forces and torques					→ Page/Internet
						Fy [N]	Fz [N]	Mx [Nm]	My [Nm]	Mz [Nm]	
Basic version without guide ZR											
	8	1 ... 650	1	±0.08	15	–	38	0.15	2	0.3	6
	12	1 ... 1000	1.5	±0.08	30	–	59	0.3	4	0.5	
	18	1 ... 1000	2	±0.08	60	–	120	0.5	11	1	
	25	1 ... 3000	5	±0.1	260	–	330	1	20	3	
	40	1 ... 4000	5	±0.1	610	–	800	4	60	8	
	63	1 ... 4500	5	±0.1	1500	–	1600	8	120	24	
With recirculating ball bearing guide ZR-KF											
	8	1 ... 650	3	±0.08	15	255	255	1	3.5	3.5	28
	12	1 ... 1000	3	±0.08	30	565	565	3	9	9	
	18	1 ... 1000	3	±0.08	60	930	930	7	45	45	
	25	1 ... 3000	3	±0.1	260	3080	3080	45	170	170	
	40	1 ... 4000	3	±0.1	610	7300	7300	170	660	660	
	63	1 ... 4500	3	±0.1	1500	14050	14050	580	1820	1820	
With roller guide ZR-RF											
	25	1 ... 5000	10	±0.1	260	260	150	7	30	30	57
	40	1 ... 5000	10	±0.1	610	610	300	18	120	180	
	63	1 ... 5000	10	±0.1	1500	1500	600	65	340	600	
With heavy-duty guide ZR-HD											
	18	1 ... 1000	3	±0.08	60	1820	1820	70	115	112	75
	25	1 ... 1000	3	±0.1	260	5400	5600	260	415	400	
	40	1 ... 1000	3	±0.1	610	5400	5600	375	560	540	

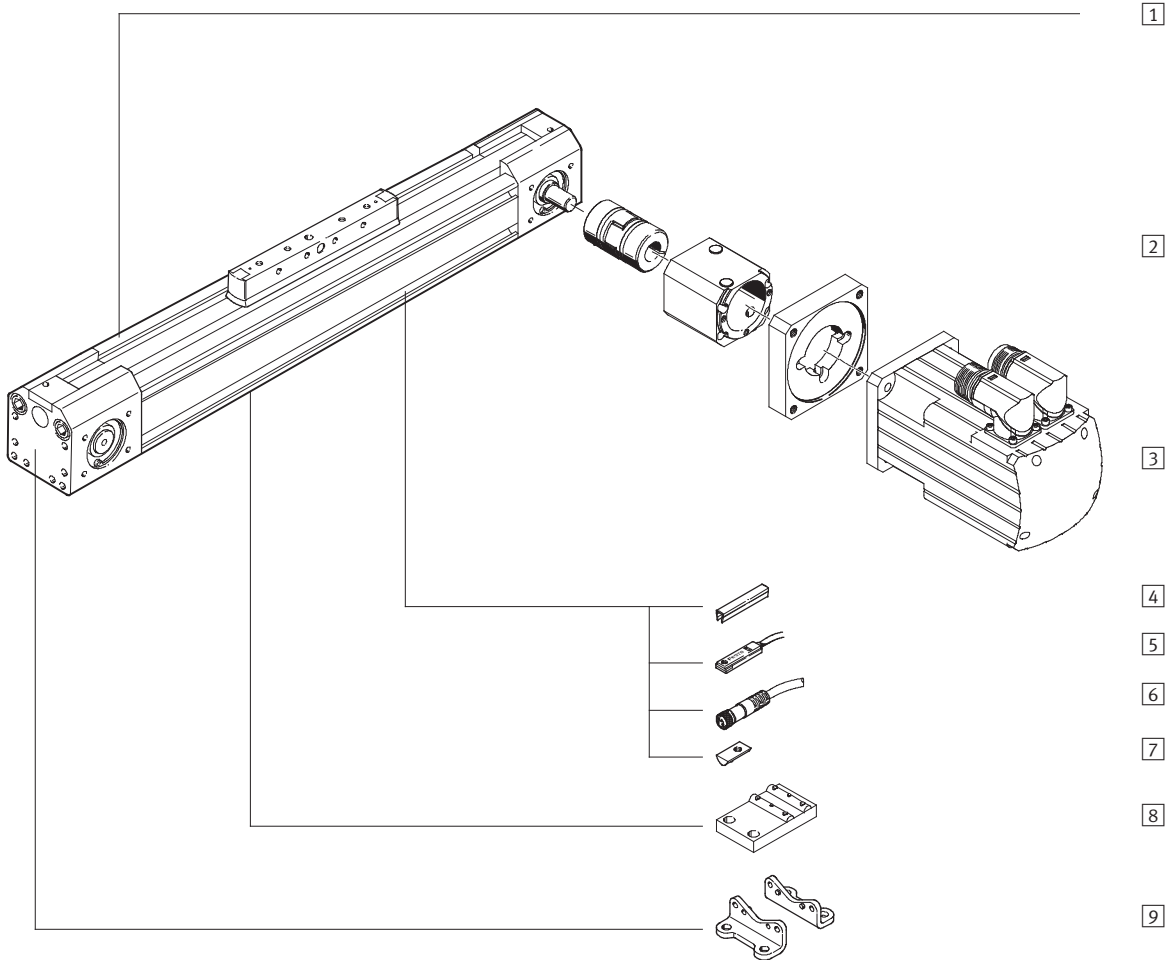
1) Special lengths on request

Note

Sizing software
PositioningDrives
→ www.festo.com

Toothed belt axes DGE-ZR

Peripherals overview



Toothed belt axes DGE-ZR

Peripherals overview

Variants and accessories		
Type	Brief description	→ Page/Internet
1 Toothed belt axis DGE-ZR	Electromechanical axis without guide	8
2 Axial kit EAMM-A	For axial motor attachment (consisting of: coupling housing, clamping component, motor flange)	92
3 Motor EMMS	Motors specially matched to the axis, with or without gearing, with or without brake	92
4 Slot cover B/S	For protecting against the ingress of dirt	106
5 Proximity sensor G/H/I/J/N	For use as a proximity signal and safety monitoring	107
6 Cable with socket V	For proximity sensors	107
7 Slot nut for mounting slot Y	For mounting attachments	106
8 Central support M	For mounting the axis	98
9 Foot mounting F	For mounting the axis	97

Toothed belt axes DGE-ZR

Type code

DGE - 25 - 500 - ZR - LK - RV

Type

DGE Toothed belt drive

Size

Stroke [mm]

Drive function

ZR Toothed belt

Drive shaft on left

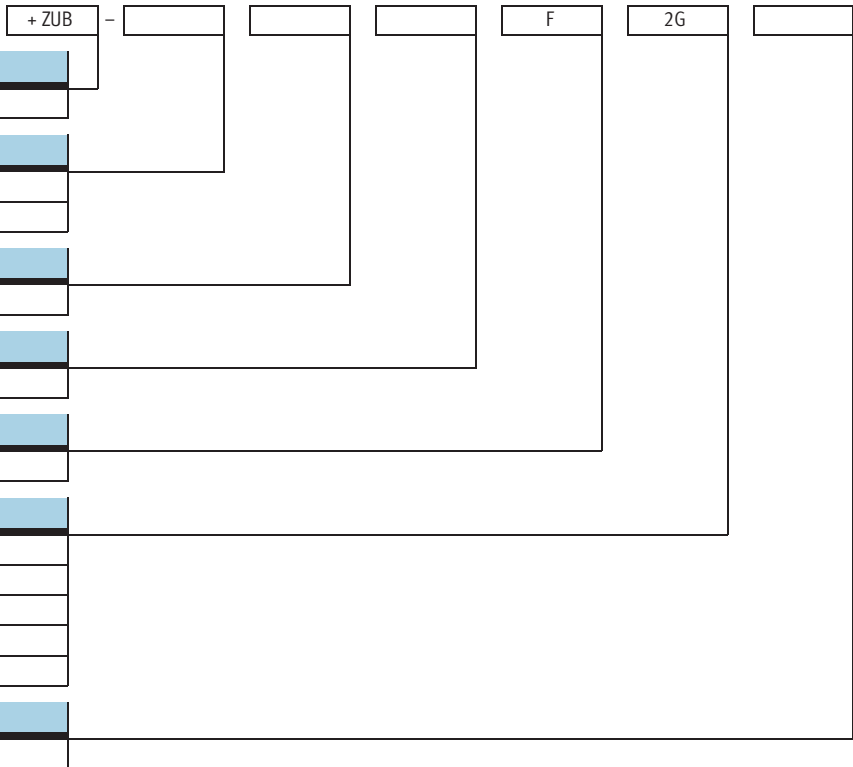
LK	No drive shaft on left
LV	Drive shaft on left, front
LH	Drive shaft on left, rear
LB	Drive shaft on left, front and rear

Drive shaft on right

RK	No drive shaft on right
RV	Drive shaft on right, front
RH	Drive shaft on right, rear
RB	Drive shaft on right, front and rear

Toothed belt axes DGE-ZR

Type code



Accessories

ZUB	Accessories supplied loose
-----	----------------------------

Slot cover

...S	Sensor slot
...B	Mounting slot

Slot nut

...Y	For mounting slot
------	-------------------

Central support

...M	Central support
------	-----------------

Foot mounting

...F	Foot mounting
------	---------------

Proximity sensor

...G	With cable, 2.5 m
...H	With plug
...I	Contactless, with cable, 2.5 m
...J	Contactless, plug
...N	NC contact with cable, 2.5 m

Cable with socket

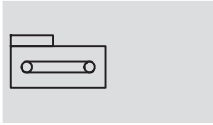
...V	2.5 m
------	-------

Toothed belt axes DGE-ZR

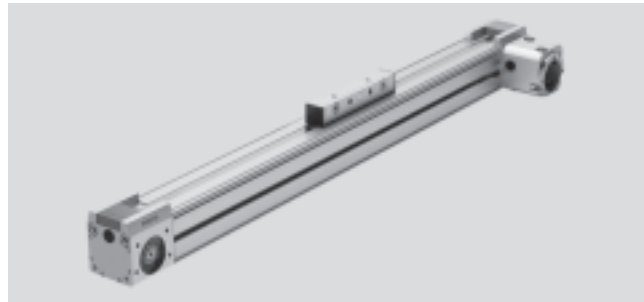
Technical data

Function

[www.festo.com/en/
Spare_parts_service](http://www.festo.com/en/Spare_parts_service)



- N- Size
8 ... 63
- T- Stroke length
1 ... 4500 mm



General technical data						
Size	8	12	18	25	40	63
Constructional design	Electromechanical axis with toothed belt					
Guide	-					
Mounting position	Any					
Max. working stroke ¹⁾	[mm]	1 ... 650	1 ... 1000	1 ... 1000	1 ... 3000 ²⁾	1 ... 4500 ²⁾
Max. feed force F_x	[N]	15	30	60	260	1500
Max. radial force ³⁾	[N]	103	77	290	307	2600
Radial force ⁴⁾	[N]	56	96	117	235	840
Radial force ⁵⁾	[N]	40	70	80	140	400
Max. driving torque	[Nm]	0.08	0.18	0.5	2.6	42
Max. no-load driving torque ⁶⁾	[Nm]	0.05	0.08	0.2	0.5	4.5
Max. speed	[m/s]	1	1.5	2	5	5
Max. acceleration	[m/s ²]	15	20	20	50	50
Repetition accuracy	[mm]	±0.08			±0.1	

- 1) Total stroke = working stroke + 2x stroke reserve
- 2) Special lengths on request
- 3) On the drive shaft
- 4) On the drive shaft, with a service life of 5,000 km
- 5) On the drive shaft, with a service life of 10,000 km
- 6) Measured at a speed of 0.2m/s

Operating and environmental conditions						
Size	8	12	18	25	40	63
Ambient temperature	[°C]	-10 ... +40				
Protection class		IP40				

Weights [kg]						
Size	8	12	18	25	40	63
Basic weight with 0 mm stroke ¹⁾		0.237	0.31	0.862	1.89	23.2
Additional weight per 100 mm stroke		0.05	0.08	0.16	0.32	1.8
Moving load		0,012	0,02	0,055	0,28	1,80

- 1) Including coupling housing

Mass moment of inertia						
Size	8	12	18	25	40	63
J_0	[kg cm ²]	0.006	0.015	0.064	0.38	25.6
J_H per metre stroke	[kg cm ² /m]	0.003	0.009	0.021	0.078	3.6
J_L per kg working load	[kg cm ² /kg]	0.259	0.365	0.685	1	7.85

The mass moment of inertia J_A of the entire axis is calculated as follows:

$$J_A = J_0 + J_H \times \text{working stroke [m]} + J_L \times m_{\text{working load [kg]}}$$

Toothed belt axes DGE-ZR

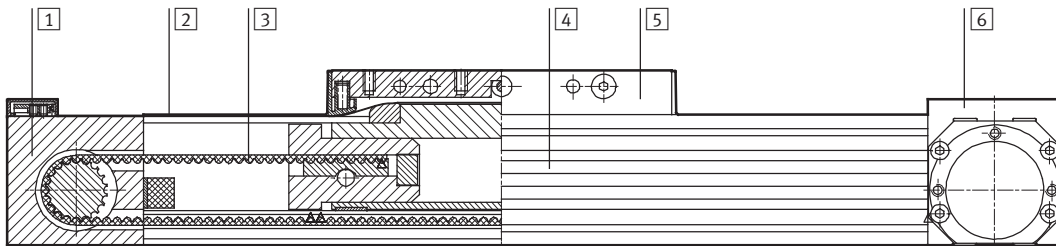
Technical data

Toothed belt							
Size		8	12	18	25	40	63
Tensile stress ¹⁾	[%]	0.04	0.1	0.2	0.11	0.1	0.15
Pitch	[mm]	2	2	2	3	5	8
Effective diameter	[mm]	10.18	12.09	16.55	20.05	31.83	56.02
Feed constant	[mm/rev.]	32	38	52	63	100	176

1) At max. feed force

Materials

Sectional view



Axis		
1	Return pulley housing	Anodised aluminium
2	Cover strip	Corrosion resistant steel
3	Toothed belt	Polychloroprene with Glascord and nylon coating
4	Profile	Anodised aluminium
5	Slide	Anodised aluminium
6	Drive housing	Anodised aluminium

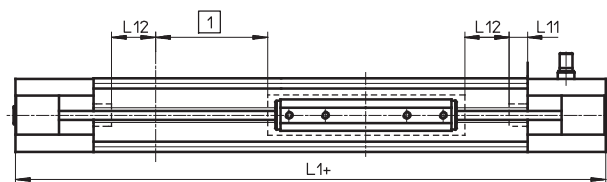
Stroke reserve

L1+ Overall length of axis
L11 Internal mechanical stop

1 The working stroke is the effective usable work range. Please quote this in your order.

L12 Stroke reserve:
Safety distance to mechanical stop, present at both ends of the axis in addition to the stroke

Example:
Type DGE-25-500-ZR
Working stroke = 500 mm
Stroke reserve = (2x 63 mm)
= 126 mm
Total stroke:
626 mm = 500 mm + 126 mm



Size		8	12	18	25	40	63
L12 per end position	[mm]	27.5	36.5	46.5	63	100	172

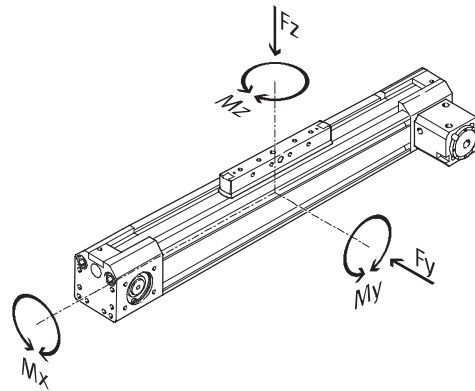
Toothed belt axes DGE-ZR

Technical data

Characteristic load values

The indicated forces and torques refer to the centre line of the internal diameter of the profile.

They must not be exceeded in the dynamic range. Special attention must be paid to the cushioning phase.



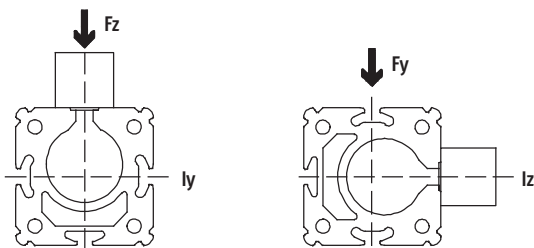
If the drive is subjected to more than two of the indicated forces and torques simultaneously, the following equations must be satisfied in addition to the indicated maximum loads.

$$0.4 \times \frac{Fz}{Fz_{max.}} + \frac{Mx}{Mx_{max.}} + \frac{My}{My_{max.}} + 0.2 \times \frac{Mz}{Mz_{max.}} \leq 1$$

$$\frac{Fz}{Fz_{max.}} \leq 1 \quad \frac{Mz}{Mz_{max.}} \leq 1$$

Permissible forces and torques							
Size		8	12	18	25	40	63
Fy _{max.}	[N]	-	-	-	-	-	-
Fz _{max.}	[N]	38	59	120	330	800	1600
Mx _{max.}	[Nm]	0.15	0.3	0.5	1	4	8
My _{max.}	[Nm]	2	4	11	20	60	120
Mz _{max.}	[Nm]	0.3	0.5	1	3	8	24

2nd moment of area



Size		8	12	18	25	40	63
ly	[mm ⁴]	6.6x10 ³	19.7x10 ³	69.8x10 ³	224x10 ³	673x10 ³	5688x10 ³
lz	[mm ⁴]	6.7x10 ³	19.1x10 ³	72.3x10 ³	240x10 ³	748x10 ³	6031x10 ³

Note

Sizing software
PositioningDrives
→ www.festo.com

Toothed belt axes DGE-ZR

Technical data

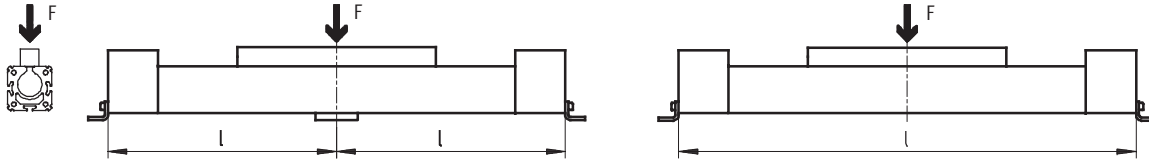
Maximum permissible support span l as a function of the force F

The drive may need to be supported with central supports MUP in order to restrict deflection with long stroke

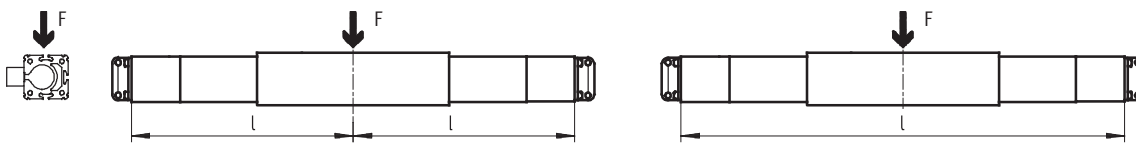
lengths. The following diagrams serve to determine the maximum permissible support span l as a

function of the force acting upon the drive F .

1 Force on the surface of the slide

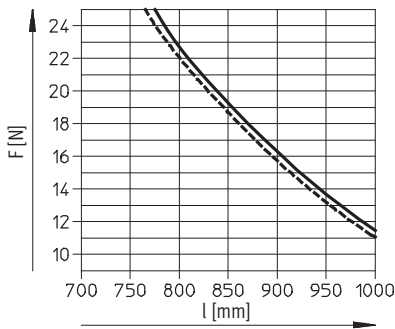


2 Force on the front of the slide

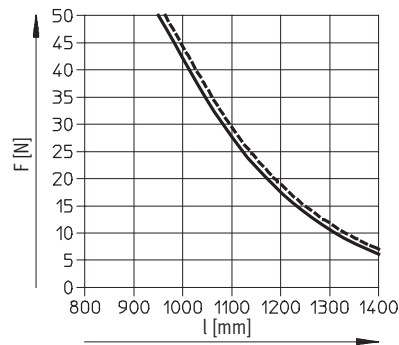


Maximum permissible support span l (without central support) as a function of the force F

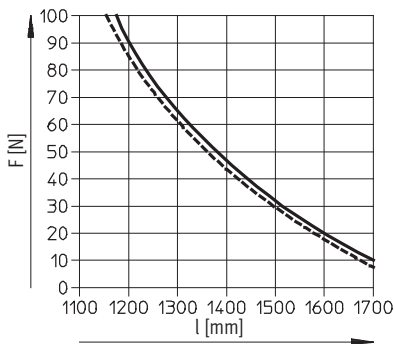
DGE-8



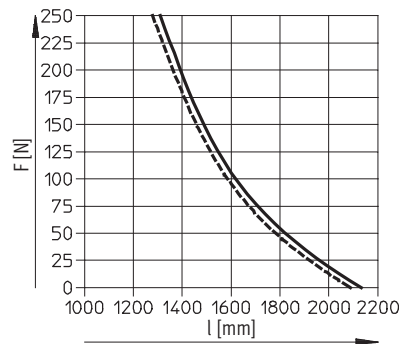
DGE-12



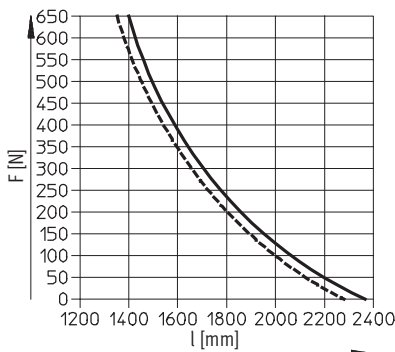
DGE-18



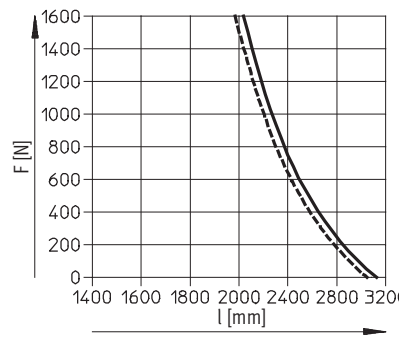
DGE-25



DGE-40



DGE-63



— 1
- - - 2

Toothed belt axes DGE-ZR

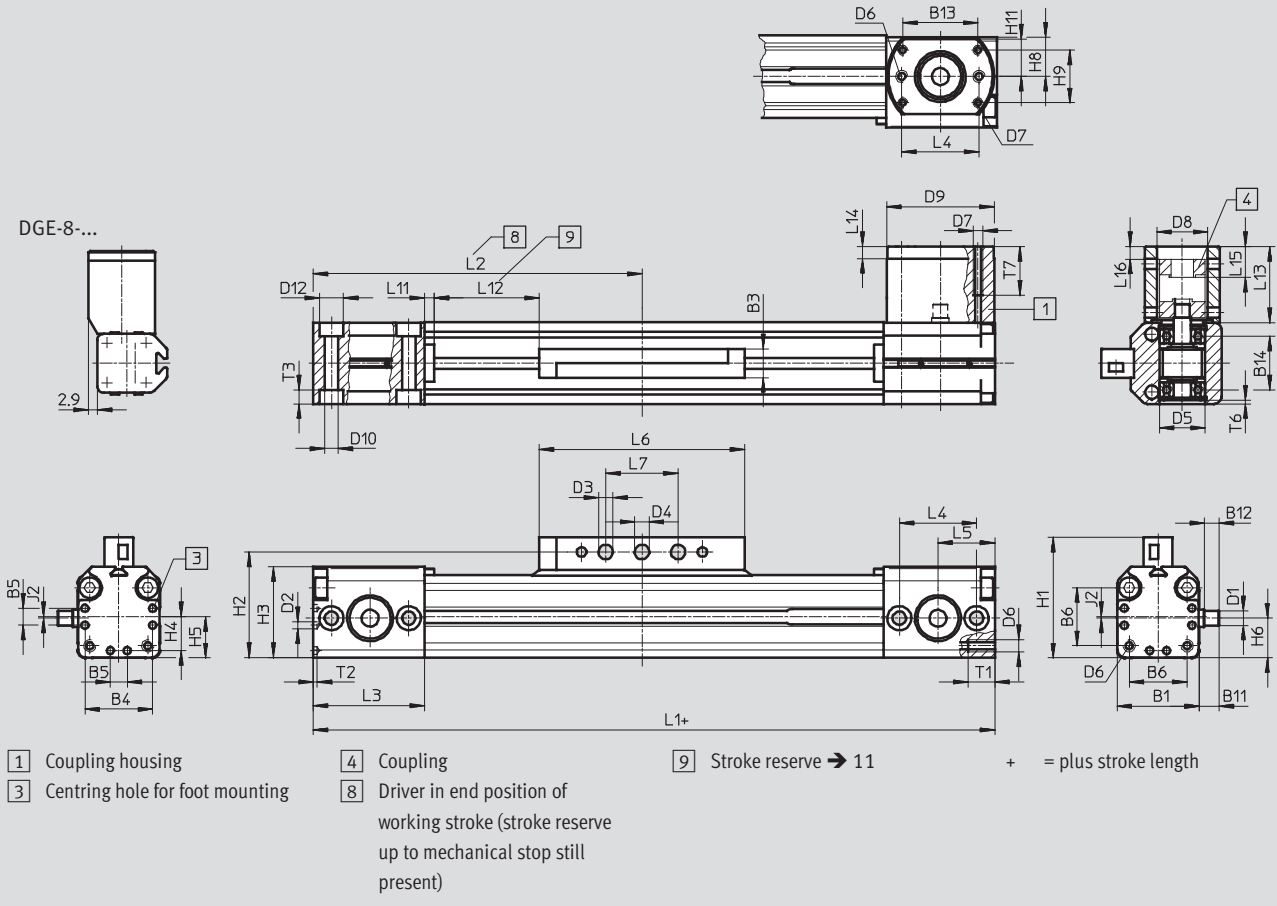
Technical data

FESTO

Dimensions

Download CAD Data → www.festo.com/us/cad

Size 8 ... 18

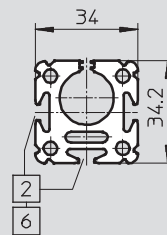
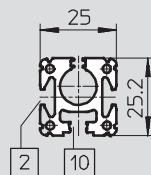
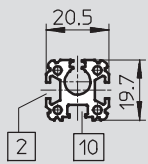


Profile

Size 8

Size 12

Size 18



- 2** Sensor slot for proximity sensor
- 6** Mounting slot for slot nut NST
- 10** Not suitable for proximity sensor

Toothed belt axes DGE-ZR

Technical data

Size	B1 +0.2	B3 ±0.1	B4	B5	B6	B11	B12	B13	B14	D1 ∅ g6	D2 ∅	D3 ∅ H11	D4 ∅ H7	D5 ∅	D6	D7
8	20.5	8	16	4	13	7.3	5	-	12	4	2	3.4	4	12	M3	M3
12	25	8	21	6	18.6	8.7	6.5	22.7	16.2	4	2	3.4	4	16	M3	M3
18	34	12	28	7	24	7.7	5.5	31.1	22	6	3	5.4	6	19	M5	M4

Size	D8 ∅	D9 ∅ g7	D10	D12	H1	H2	H3	H4	H5	H6	H8	H9	H11	J2	L1	L2
8	16	28.7	3.4	6	30	26.5	23.1	8	9.8	8.1	11	0	11	1.7	180	90
12	16	30	3.4	6	35.5	32	28.6	10.5	12.5	11.8	11	13.1	11	0.7	216	108
18	21	44	5.5	10	49.8	43.8	37.6	14	17	16.4	15.5	21.8	15.5	0.6	282	141

Size	L3	L4 ±0.1	L5	L6 +4	L7 ±0.1	L11 ±0.1	L12	L13	L14	L15	L16	T1	T2	T3	T6	T7
8	30	21	15.5	52	15	4	27.5	27.5	5	9.7	3.2	7	1.1	3.4	0.7	18.8
12	33	24	17	64	15	4	36.5	29	5	11.3	4.8	7	1.1	3.4	0.8	29
18	46	32	23.5	85	30	4	46.5	31.5	5	12.8	5.3	11	1.6	5.7	1.5	19

Toothed belt axes DGE-ZR

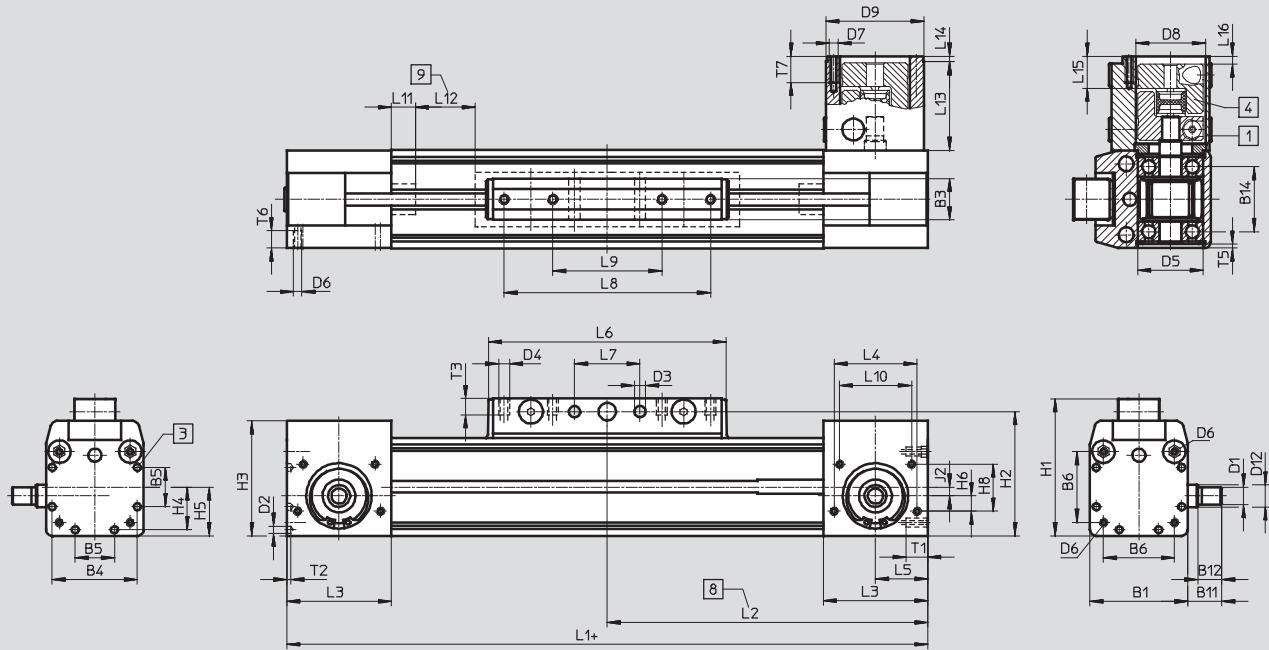
Technical data

FESTO

Dimensions

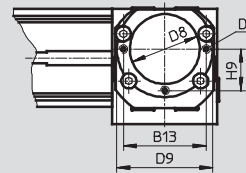
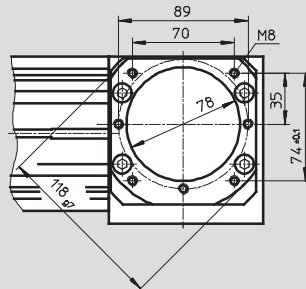
Download CAD Data → www.festo.com/us/cad

Size 25 ... 63



Size 63

Size 25/40



- 1 Coupling housing
- 3 Centring hole for foot mounting HP
- 4 Coupling

- 8 Driver in end position of working stroke (stroke reserve up to mechanical stop still present)

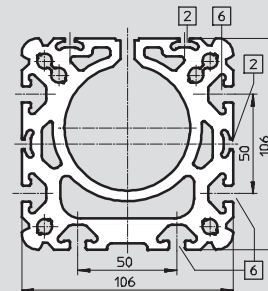
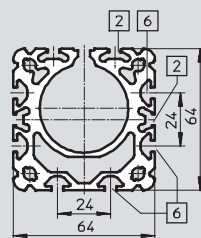
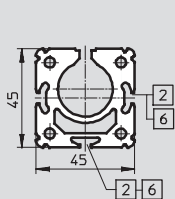
- 9 Stroke reserve → 11
- + = plus stroke length

Profile

Size 25

Size 40

Size 63



- 2 Sensor slot for proximity sensor
- 6 Mounting slot for slot nut NST

Toothed belt axes DGE-ZR

Technical data

Size	B1	B3 +0.2	B4	B5	B6	B11	B12	B13	B14	D1 ∅ h6	D2 ∅	D3 ∅ +0.2	D4
25	45	19	39.1	18	32.5	15.5	11	38	29.8	8	3.3	5.2	M5
40	64	21	53	28	49	30	24.5	56	43.5	15	4.3	6.5	M6
63	106	24	89	44	83	41	35	-	77.7	25	6.3	8.5	M8

Size	D5 ∅ H7	D6	D7	D8 ∅	D9 ∅ g7	D12 ∅	H1	H2	H3	H4	H5	H6	H8
25	30	M4	M4	32	44	10	63	57	52.8	19.6	22.5	7	21.6
40	40	M5	M6	48	64	17	86	78	71.8	26.5	32	11.5	31
63	62	M8	M8	78	-	31	131	122	115	44.5	53	21.5	49

Size	H9 ±0.1	J2	L1	L2	L3	L4	L5	L6	L7 ±0.1	L8 ±0.1	L9 ±0.1	L10
25	19	4.1	372	186	48	38	24	109	30	-	50	33
40	28	5	569	284.5	67	54	34	171	70	130	40	54
63	35	6.5	882	441	106	84	55	234	110	190	70	84

Size	L11	L12	L13	L14	L15	L16 ¹⁾	T1	T2	T3	T5	T6	T7
25	11	63	40	3.2	14.6	3.6	10	2	7.5	1.4	8	10
40	15	100	65	4	22.8	-2.2	12	3	10.5	1.9	10	13
63	15	172	91	5	35	0	21	4	12.5	4.5	15	16

1) Negative dimension: Protrudes above coupling housing

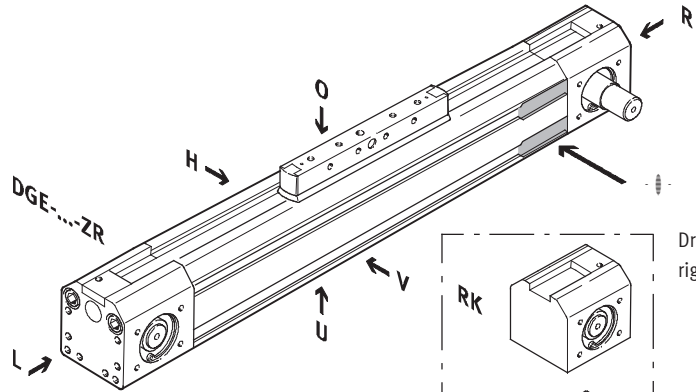
Toothed belt axes DGE-ZR

Ordering data – Modular products

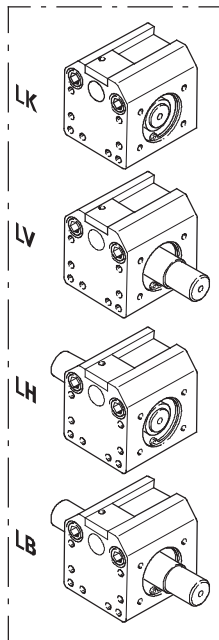
Order code

Mandatory data

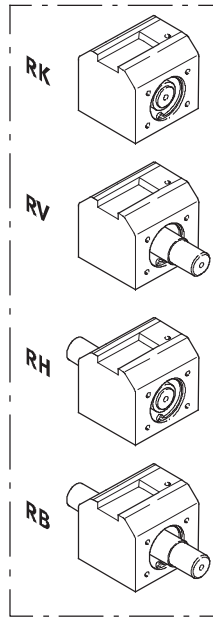
- LK No drive shaft on left
- LV Drive shaft on left, front
- LH Drive shaft on left, rear
- LB Drive shaft on left, front and rear
- RK No drive shaft on right
- RV Drive shaft on right, front
- RH Drive shaft on right, rear
- RB Drive shaft on right, front and rear



Drive shaft left



Drive shaft right



Note

The insertion point for the proximity sensor is located on the right side of the toothed belt axis DGE-ZR

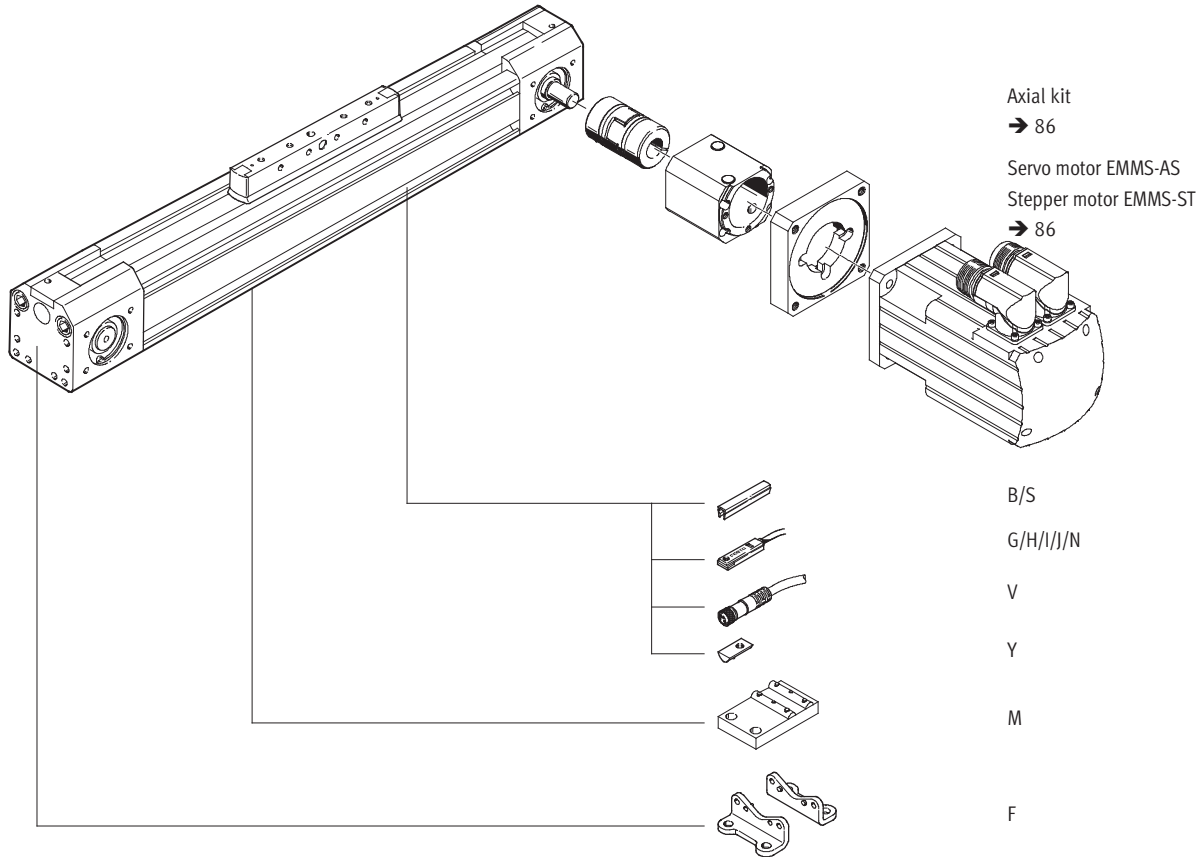
- O top
- U underneath
- R right
- L left
- V front
- H rear

Toothed belt axes DGE-ZR

Ordering data – Modular products

Order code

Options



Toothed belt axes DGE-ZR

Ordering data – Modular products

M Mandatory data →

Module No.	Design	Size	Stroke	Drive function	Drive shaft on left	Drive shaft on right
193 739	DGE	8	1 ... 4 500	ZR	LK	RK
193 740		12			LV	RV
193 741		18			LH	RH
193 742		25			LB	RB
193 743		40				
193 744		63				
Ordering example						
193 742	DGE	25	500	ZR	LK	RV

Ordering table									
Size	8	12	18	25	40	63	Conditions	Code	Enter code
M Module No.	193 739	193 740	193 741	193 742	193 743	193 744			
Design	Electromechanical linear axis							DGE	DGE
Size	8	12	18	25	40	63	-...		
Stroke [mm]	1 ... 650	1 ... 1000	1 ... 3000	1 ... 4000	1 ... 4500	[1]	-...		
Drive function	Electromechanical drive with toothed belt							-ZR	-ZR
Drive shaft on left	No drive shaft on left							[2]	-LK
	Drive shaft on left, front								-LV
	Drive shaft on left, rear								-LH
	Drive shaft on left, front and rear								-LB
Drive shaft on right	No drive shaft on right							[3]	-RK
	Drive shaft on right, front								-RV
	Drive shaft on right, rear								-RH
	Drive shaft on right, front and rear								-RB

[1] **Stroke** Special stroke lengths:
 Module No. 8: 1000 mm
 Module No. 12: 1400 mm
 Module No. 18: 1700 mm
 Module No. 25: 5100 mm
 Module No. 40: 4900 mm
 Module No. 63: 4700 mm

[2] **LK** Not with drive shaft on right RK.
 [3] **RK** Not with drive shaft on left LK.

Transfer order code

- - - - -

Toothed belt axes DGE-ZR

Ordering data – Modular products



Options						
Accessories	Slot cover	Slot nut	Central support	Foot mounting	Proximity sensor	Plug socket
ZUB	...S ...B	...Y	...M	...F	...G ...H ...I ...J ...N	...V
ZUB	- 2S	10Y		F	2G	2V

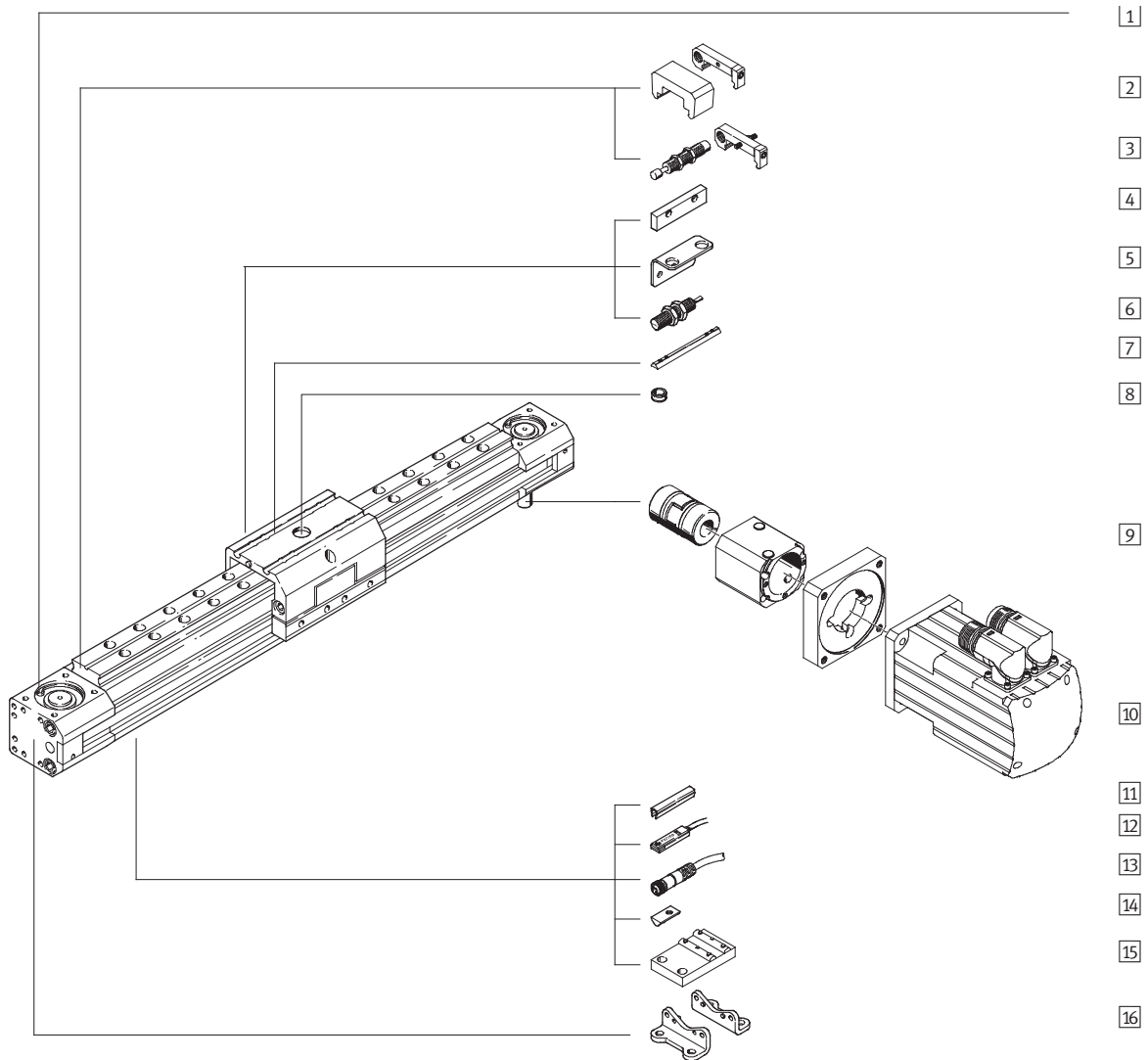
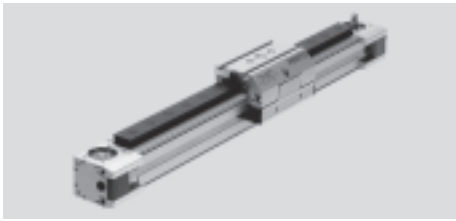
Ordering table											
Size	8	12	18	25	40	63	Conditions	Code	Enter code		
↓ Accessories	Supplied separately								ZUB-		ZUB-
0 Slot cover											
Sensor slot	1 ... 10								...S		
Mounting slot	-	-	-	-	1 ... 10				...B		
Slot nut	for mounting slot		1 ... 10					...Y			
Central support	1 ... 10								...M		
Foot mounting (kit)	1 ... 10								...F		
Proximity sensor											
with cable 2.5 m	1 ... 10								...G		
with plug	1 ... 10								...H		
contactless with cable 2.5 m	1 ... 10								...I		
contactless, plug	1 ... 10								...J		
NC contact with cable 2.5 m	1 ... 10								...N		
Cable with socket, 2.5 m	1 ... 10								...V		

Transfer order code

ZUB	-						
-----	---	--	--	--	--	--	--

Toothed belt axes DGE-ZR-KF, with recirculating ball bearing guide

Peripherals overview



Toothed belt axes DGE-ZR-KF, with recirculating ball bearing guide

Peripherals overview

Variants and accessories					
Type	Brief description	GK/GV	GA	➔ Page/Internet	
1	Toothed belt axis DGE-ZR-KF	■	■	24	
2	Emergency buffer with retainer ¹⁾ A	■	■	96	
3	Shock absorber kits C	■	-	95	
3	Shock absorber kits E	-	■	96	
4	Switching lug L	■	-	98	
5	Sensor bracket T	■	-	98	
6	Inductive proximity sensor O/P/R/W	■	-	101	
7	Slot nut for slide X	■	■	100	
8	Centring pins/sleeves Z	■	■	100	
9	Axial kit EAMM-A	■	■	86	
10	Motor EMMS	■	■	86	
11	Slot cover B/S	■	■	100	
12	Proximity sensor G/H/I/J/N	■	■	101	
13	Cable with socket V	■	■	101	
14	Slot nut for mounting slot Y	■	■	100	
15	Central support M	■	■	92	
16	Foot mounting F	■	■	91	

1) Fitted as standard for GV and GA

Toothed belt axes DGE-ZR-KF, with recirculating ball bearing guide

Type code

DGE - 25 - 500 - ZR - LK - RV - KF - GK - KL

Type

DGE Toothed belt drive

Size

Stroke [mm]

Drive function

ZR Toothed belt

Drive shaft on left

- LK No drive shaft on left
- LV Drive shaft on left, front
- LH Drive shaft on left, rear
- LB Drive shaft on left, front and rear

Drive shaft on right

- RK No drive shaft on right
- RV Drive shaft on right, front
- RH Drive shaft on right, rear
- RB Drive shaft on right, front and rear

Guide

KF Recirculating ball bearing guide

Slide

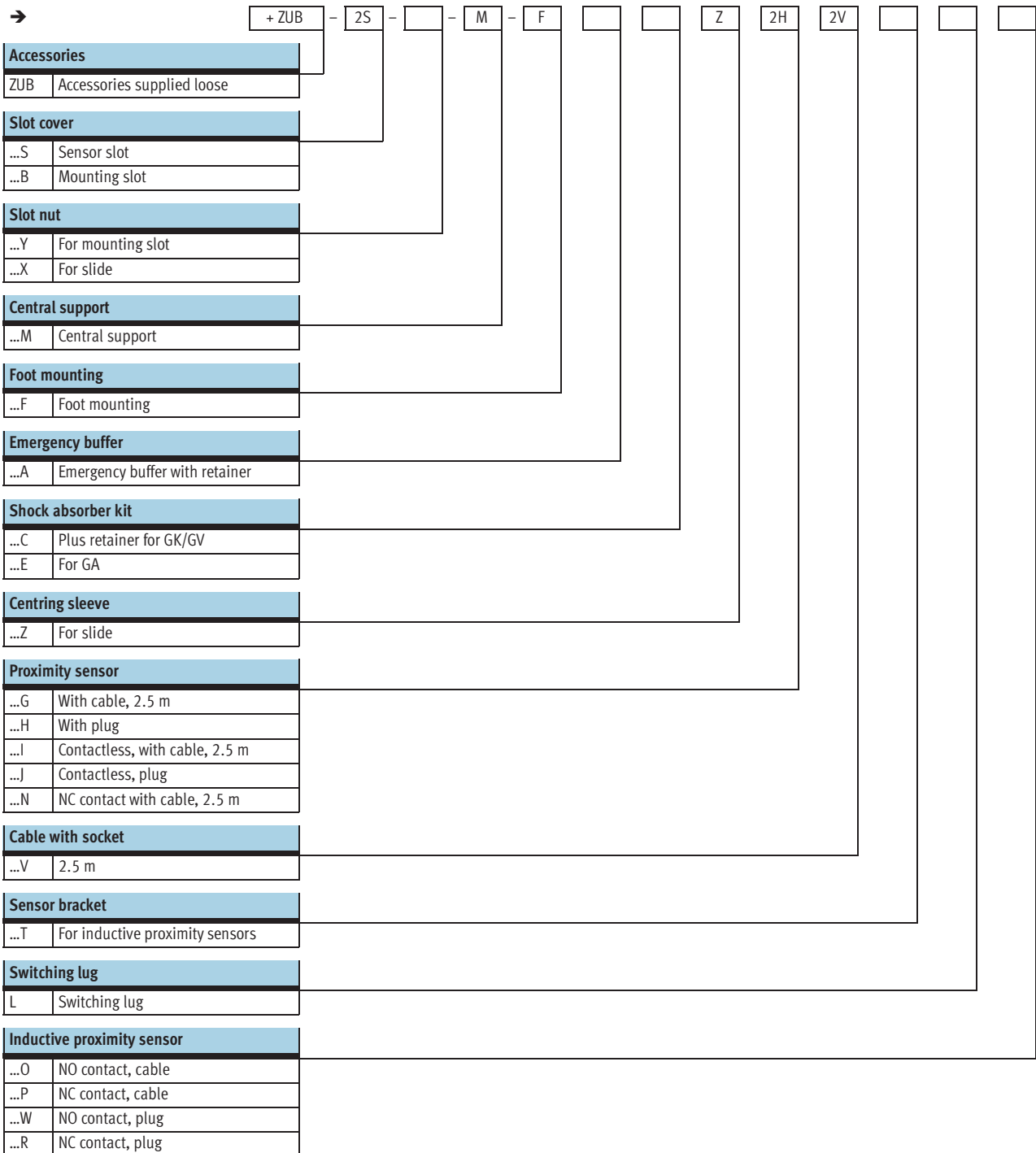
- GK Standard slide
- GV Extended slide
- GA Protected version

Additional slide

- KL Left
- KR Right

Toothed belt axes DGE-ZR-KF, with recirculating ball bearing guide

Type code



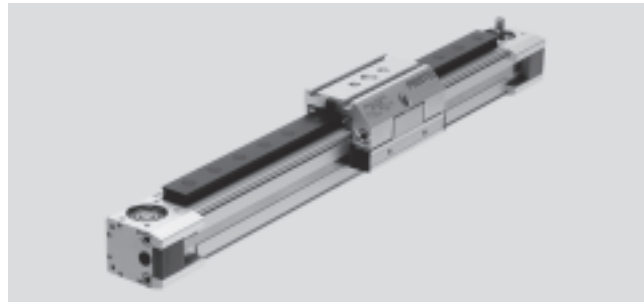
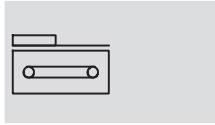
Toothed belt axes DGE-ZR-KF, with recirculating ball bearing guide

FESTO

Technical data

Function

www.festo.com/en/
Spare_parts_service



-N- Size
8 ... 63
-T- Stroke length
1 ... 4500 mm

General technical data			8	12	18	25	40	63
Size			8	12	18	25	40	63
Constructional design		Electromechanical axis with toothed belt and recirculating ball bearing guide						
Guide		Recirculating ball bearing guide						
Mounting position		Any						
Max. working stroke ¹⁾	GK [mm]	1 ... 650	1 ... 1000	1 ... 1000	1 ... 3000 ²⁾	1 ... 4000 ²⁾	1 ... 4500 ²⁾	
	GV [mm]	–	–	1 ... 920	1 ... 2900	1 ... 3830	1 ... 4250	
	GA [mm]	–	–	–	1 ... 1800	1 ... 1800	–	
Max. working load	[kg]	1.5	3	6	20	50	120	
Max. feed force F_x	[N]	15	30	60	260	610	1500	
Max. radial force ³⁾	[N]	103	77	290	307	984	2600	
Radial force ⁴⁾	[N]	56	96	117	235	370	840	
Radial force ⁵⁾	[N]	40	70	80	140	170	400	
Max. driving torque	[Nm]	0.08	0.18	0.5	2.6	9.7	42	
Max. no-load driving torque ⁶⁾	[Nm]	0.05	0.08	0.2	0.5	1.0	4.5	
Max. speed	[m/s]	3	3	3	3	3	3	
Max. acceleration	[m/s ²]	15	20	20	50	50	50	
Repetition accuracy	[mm]	±0.08			±0.1			

- 1) Total stroke = working stroke + 2x stroke reserve
- 2) Special lengths on request
- 3) On the drive shaft
- 4) On the drive shaft, with a service life of 5,000 km
- 5) On the drive shaft, with a service life of 10,000 km
- 6) Measured at a speed of 0.2 m/s

Operating and environmental conditions			8	12	18	25	40	63
Size			8	12	18	25	40	63
Ambient temperature	[°C]	–10 ... +40						
Protection class		IP40						

Weights [kg]			8	12	18	25	40	63
Size			8	12	18	25	40	63
Basic weight with 0 mm stroke ¹⁾	GK	0.32	0.66	1.16	2.6	7.6	30.3	
	GV	–	–	1.62	3.52	9.52	40.2	
	GA	–	–	–	3.51	9.67	–	
Additional weight per 100 mm stroke	GK/GV	0.095	0.14	0.26	0.47	0.94	2.6	
	GA	–	–	–	0.56	1.06	–	
Moving load	GK	0,085	0,14	0,32	0,71	1,8	5	
	GV	–	–	0,48	0,97	2,52	7,46	
	GA	–	–	–	1,27	3,17	–	
Additional slide	KL/KR	–	–	0.25	0.38	1.06	3.1	

- 1) Including coupling housing and slide

Toothed belt axes DGE-ZR-KF, with recirculating ball bearing guide

Technical data

Mass moment of inertia		8	12	18	25	40	63
J ₀	GK [kg cm ²]	0.025	0.058	0.247	0.81	5.25	50.7
	GV [kg cm ²]	-	-	0.355	1.08	7.14	70.9
	GA [kg cm ²]	-	-	-	1.37	8.71	-
J _H per metre stroke	[kg cm ² /m]	0.003	0.009	0.021	0.078	0.45	3.6
J _L per kg working load	[kg cm ² /kg]	0.259	0.365	0.685	1	2.53	7.85

The mass moment of inertia J_A of the entire axis is calculated as follows:

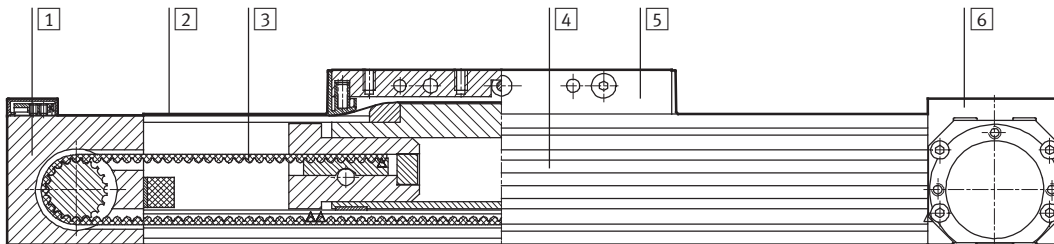
$$J_A = J_0 + J_H \times \text{working stroke [m]} + J_L \times m_{\text{working load [kg]}}$$

Toothed belt		8	12	18	25	40	63
Tensile stress ¹⁾	[%]	0.04	0.1	0.2	0.11	0.1	0.15
Pitch	[mm]	2	2	2	3	5	8
Effective diameter	[mm]	10.18	12.09	16.55	20.05	31.83	56.02
Feed constant	[mm/rev.]	32	38	52	63	100	176

1) At max. feed force

Materials

Sectional view



Axis		
1	Return pulley housing	Anodised aluminium
2	Cover strip	Corrosion resistant steel
3	Toothed belt	Polychloroprene with Glascord and nylon coating
4	Profile	Anodised aluminium
5	Slide	Anodised aluminium
6	Drive housing	Anodised aluminium

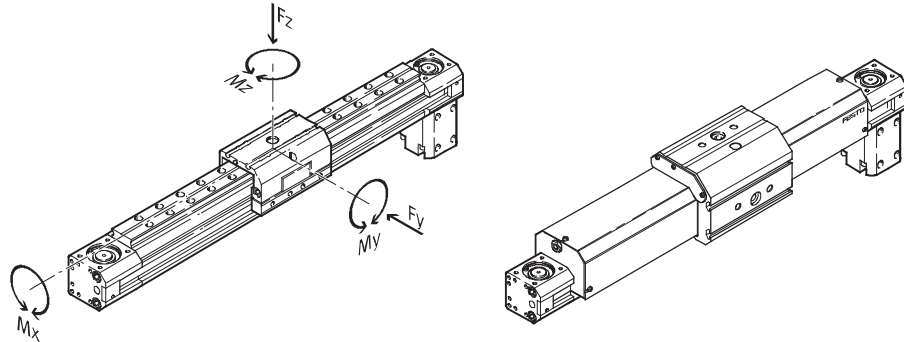
Toothed belt axes DGE-ZR-KF, with recirculating ball bearing guide

Technical data



Characteristic load values for axis with standard slide GK or protected version GA

The indicated forces and torques refer to the centre of the guide rail. They must not be exceeded in the dynamic range. Special attention must be paid to the cushioning phase.

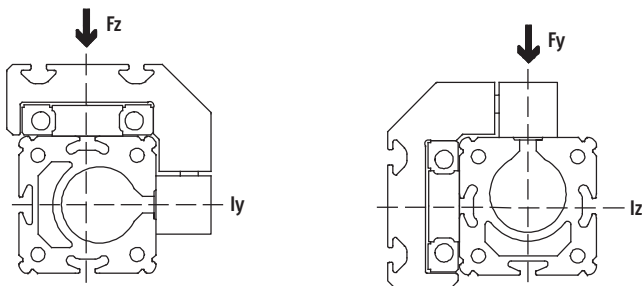


If the axis is subjected to more than two of the indicated forces and torques simultaneously, the following equations must be satisfied in addition to the indicated maximum loads.

$$\frac{F_y}{F_{y_{max}}} + \frac{F_z}{F_{z_{max}}} + \frac{M_x}{M_{x_{max}}} + \frac{M_y}{M_{y_{max}}} + \frac{M_z}{M_{z_{max}}} \leq 1$$

Permissible forces and torques							
Size		8	12	18	25	40	63
F _y _{max.}	[N]	255	565	930	3080	7300	14050
F _z _{max.}	[N]	255	565	930	3080	7300	14050
M _x _{max.}	[Nm]	1	3	7	45	170	580
M _y _{max.}	[Nm]	3.5	9	23	85	330	910
M _z _{max.}	[Nm]	3.5	9	23	85	330	910

2nd moment of area



Size		8	12	18	25	40	63
l _y	[mm ⁴]	16.9x10 ³	46x10 ³	172x10 ³	551x10 ³	1908x10 ³	13677x10 ³
l _z	[mm ⁴]	7x10 ³	21x10 ³	73.7x10 ³	250x10 ³	875x10 ³	6987x10 ³

Note

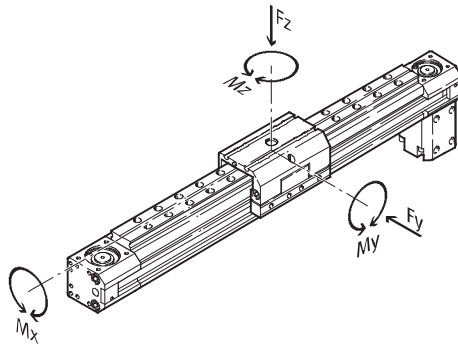
Sizing software
PositioningDrives
→ www.festo.com

Toothed belt axes DGE-ZR-KF, with recirculating ball bearing guide

Technical data

Characteristic load values for axis with extended slide GV

The indicated forces and torques refer to the centre of the guide rail. They must not be exceeded in the dynamic range. Special attention must be paid to the cushioning phase.

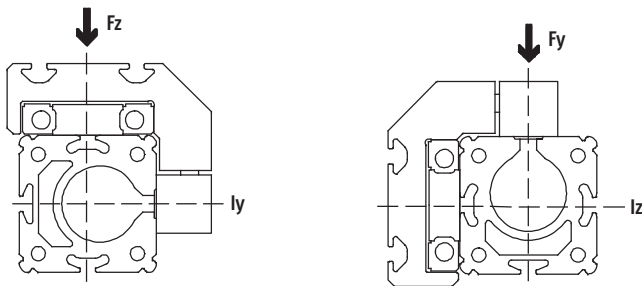


If the axis is subjected to more than two of the indicated forces and torques simultaneously, the following equations must be satisfied in addition to the indicated maximum loads.

$$\frac{F_y}{F_{y_{max}}} + \frac{F_z}{F_{z_{max}}} + \frac{M_x}{M_{x_{max}}} + \frac{M_y}{M_{y_{max}}} + \frac{M_z}{M_{z_{max}}} \leq 1$$

Permissible forces and torques							
Size		8	12	18	25	40	63
F _y _{max.}	[N]	255	565	930	3080	7300	14050
F _z _{max.}	[N]	255	565	930	3080	7300	14050
M _x _{max.}	[Nm]	1	3	7	45	170	580
M _y _{max.}	[Nm]	–	–	45	170	660	1820
M _z _{max.}	[Nm]	–	–	45	170	660	1820

2nd moment of area



Size		8	12	18	25	40	63
ly	[mm ⁴]	16.9x10 ³	46x10 ³	172x10 ³	551x10 ³	1908x10 ³	13677x10 ³
lz	[mm ⁴]	7x10 ³	21x10 ³	73.7x10 ³	250x10 ³	875x10 ³	6987x10 ³

Toothed belt axes DGE-ZR-KF, with recirculating ball bearing guide

Technical data

Stroke reserve

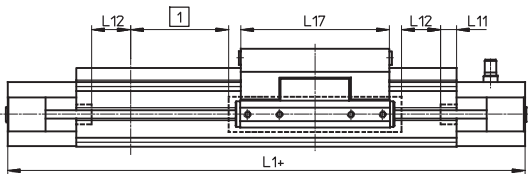
- L1+ Overall length of axis
- L11 Internal mechanical stop
- L17 Slide length
- 3 Emergency buffer
- 4 Shock absorber retainer

1 The working stroke is the effective usable work range. Please quote this in your order.

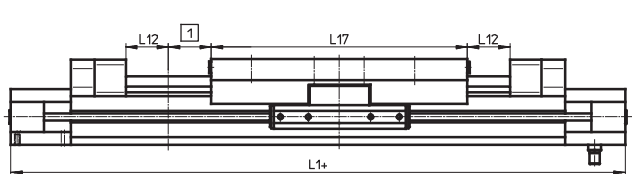
L12 Stroke reserve: Safety distance to mechanical stop, present at both ends of the axis in addition to the stroke.

Example:
 Type DGE-25-500-ZR
 Working stroke = 500 mm
 Stroke reserve = (2x 63 mm) = 126 mm
 Total stroke: 626 mm = 500 mm + 126 mm

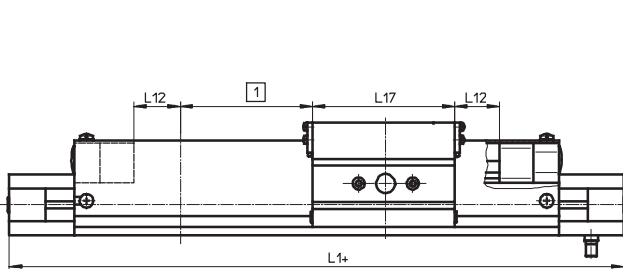
for standard slide GK



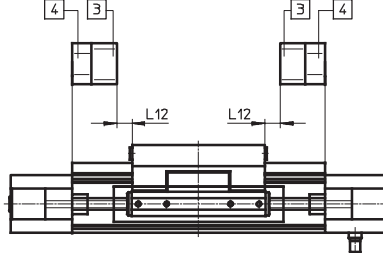
for extended slide GV



for protected version GA



for standard slide GK with optional emergency buffer

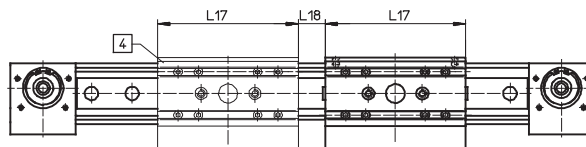


Stroke reserve L12 [mm] per end position

Size Variant	8	12	18	25	40	63
Standard slide GK	27.5	36.5	46.5	63	100	172
Standard slide GK with optional emergency buffer	-	-	23.5	41.5	62	116
Extended slide GV	-	-	23.5	41.5	62	116
Protected version GA	-	-	-	41.5	62	-

Working stroke reduction with standard slide GK or extended slide GV and additional slide KL/KR

- L17 = Slide/additional slide length
- L18 = Distance between both slides
- 4 Additional slide



For a toothed belt axis with additional slide, the working stroke is reduced by the length of the additional slide and the distance between both slides.

Example:
 Type DGE-25-500-ZR-...-KF-GK-KL
 Working stroke without additional slide = 500 mm
 L18 = 20 mm
 L17 = 105 mm
 Working stroke with additional slide = 375 mm
 (500 mm - 20 mm - 105 mm)

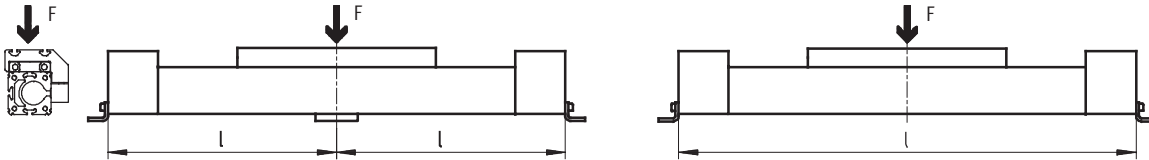
Toothed belt axes DGE-ZR-KF, with recirculating ball bearing guide

Technical data

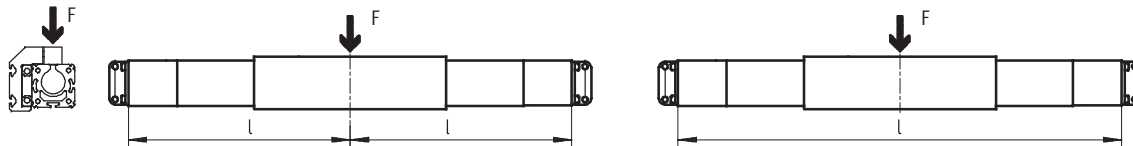
Maximum permissible support span l as a function of the force F

The axis may need to be supported with central supports MUP in order to restrict deflection with long stroke lengths. The following diagrams serve to determine the maximum permissible support span l as a function of the force acting upon the axis F .

1 Force on the surface of the slide

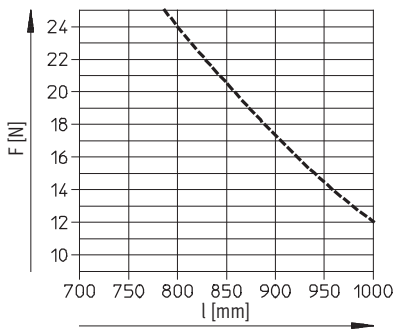


2 Force on the front of the slide

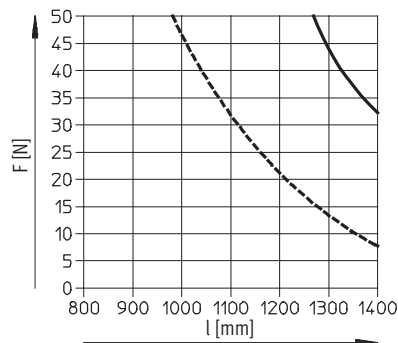


Maximum support span l (without central support) as a function of the force F

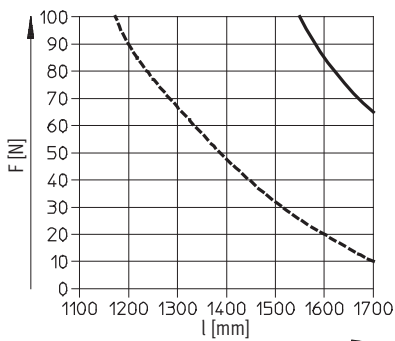
DGE-8



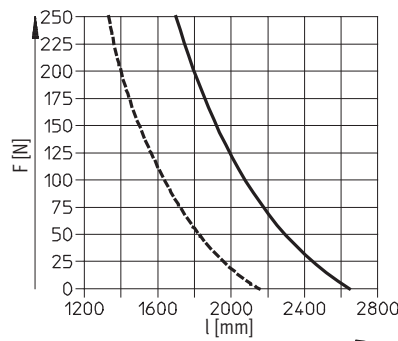
DGE-12



DGE-18



DGE-25



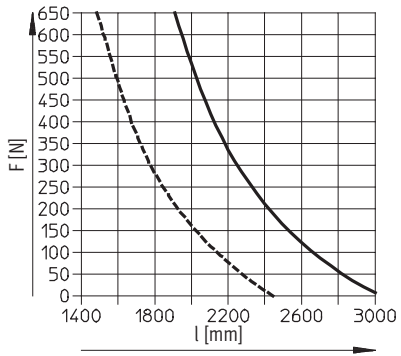
- 1
- - - 2

Toothed belt axes DGE-ZR-KF, with recirculating ball bearing guide

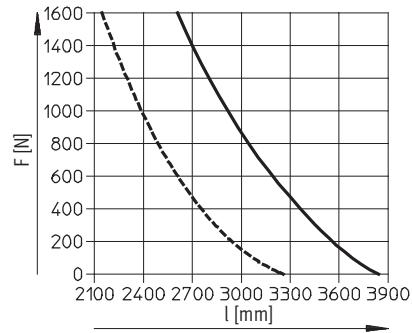
Technical data

Maximum support span l (without central support) as a function of the force F

DGE-40



DGE-63



- 1
- - - 2

Toothed belt axes DGE-ZR-KF, with recirculating ball bearing guide

Technical data

Dimensions Download CAD Data → www.festo.com/us/cad

Standard slide GK
Size 8 ... 18

5 Hole for centring pin ZBS-5
 + = plus stroke length

Basic dimensions
 → 14
 Stroke reserve
 → 30

Additional slide KL/KR
Size 18

5 Hole for centring pin ZBS-5
6 Additional slide
 + = plus stroke length

Reduction of working stroke
 → 30

Extended slide GV
Size 18

2 Shock absorber retainer KYP
3 Emergency buffer NPE
5 Hole for centring pin ZBS-5
8 Driver in end position of working stroke (stroke reserve up to mechanical stop still present)
 + = plus stroke length
 Stroke reserve
 → 30

Profile

Size 8

Size 12

Size 18

2 Sensor slot for proximity sensor
6 Mounting slot for slot nut NST
10 Not suitable for proximity sensor

Size	B7	B8	D11	D13	H7	H10	H12	L1	L13	L17	L18	L19	T4 max.	T8
8	21.5	32	M4	-	35.5	12	-	180	27.5	52	-	-	7	-
12	22	36.5	M4	-	43.5	14	-	216	29	64	-	-	8.5	-
18	32	50.5	M5	M4	57	17	4.3	282	31.5	85	20	78	10	9

Toothed belt axes DGE-ZR-KF, with recirculating ball bearing guide

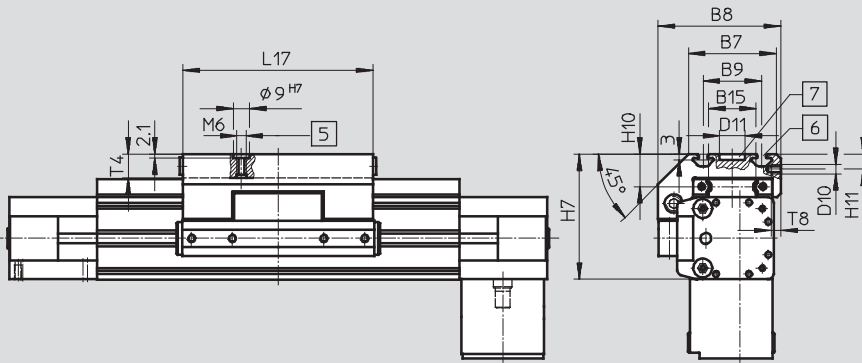
Technical data

Dimensions

Download CAD Data → www.festo.com/us/cad

Standard slide GK

Size 25 ... 63



- 5 Hole for centring sleeve ZBH-9
- 6 Mounting slot for slot nut NSTL
- 7 Hole for central mounting SLZZ

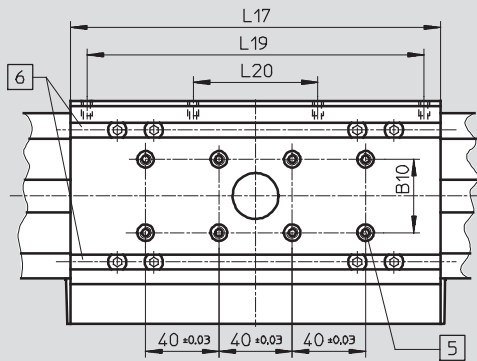
Basic dimensions

→ 16

Stroke reserve

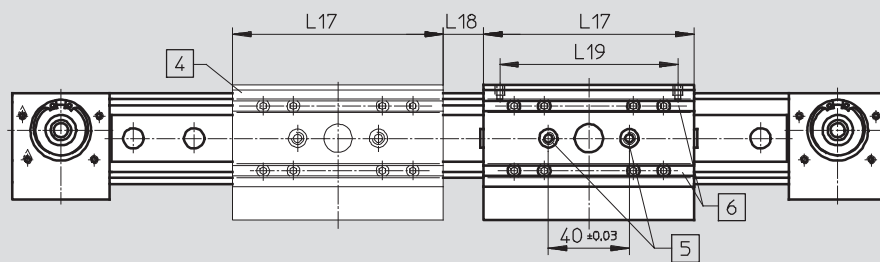
→ 30

Size 40/63



- 5 Hole for centring sleeve ZBH-9
- 6 Mounting slot for slot nut NSTL

Size 25 ... 63



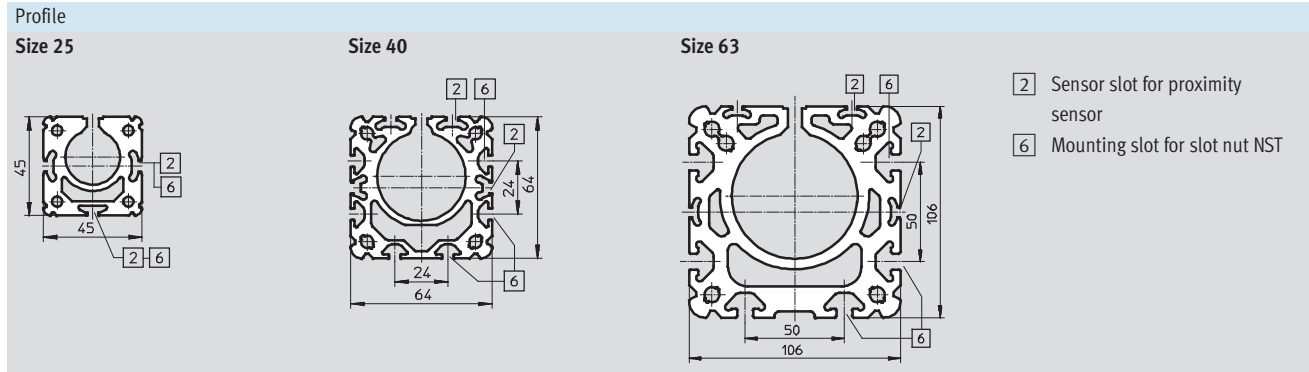
- 4 Additional slide DGE-...-KL/KR
- 5 Hole for centring sleeve ZBH-9
- 6 Mounting slot for slot nut NSTL

Reduction of working stroke

→ 30

Toothed belt axes DGE-ZR-KF, with recirculating ball bearing guide

Technical data



Size	B7	B8	B9 ±0.2	B10	B15	D10	D11 ∅ G7	H7
25	48	67	32	-	23.5	M5	14	68.5
40	78.5	96.5	55	20	42	M5	25	90.5
63	121	142	90	40	71	M8	25	144.5

Size	H10	H11	L17	L18 ¹⁾	L19 ±0.1	L20 ±0.1	T4 max.	T8
25	18.5	8.2	105	20	88	-	12.5	8.5
40	20	7	167	20	150	58	12.5	8.5
63	30	12.5	230	27	200	72	20.5	10.5

1) Recommended minimum distance for access to lubrication nipple.

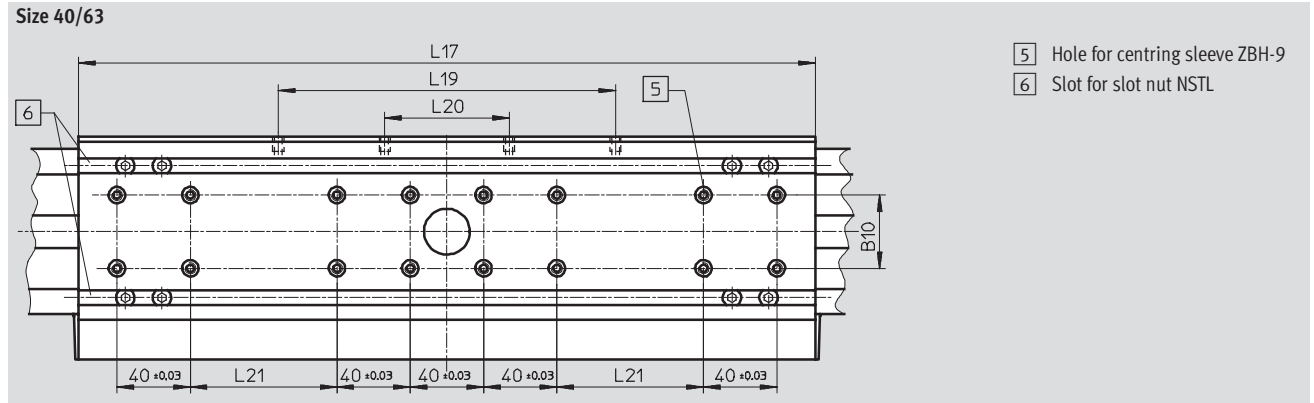
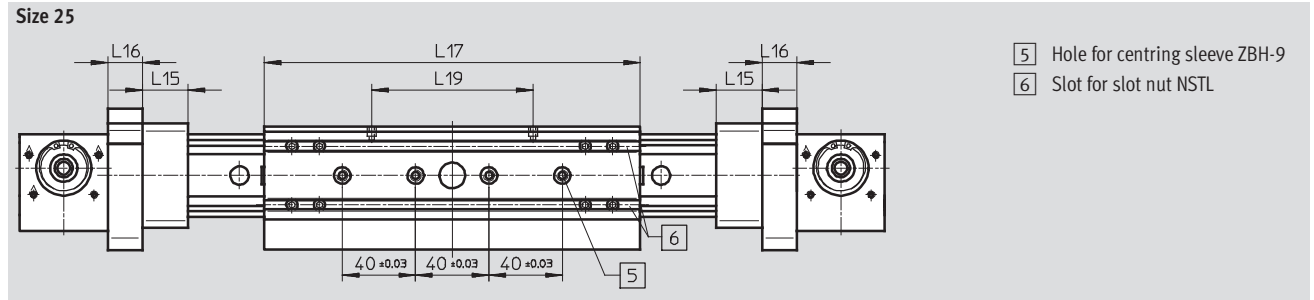
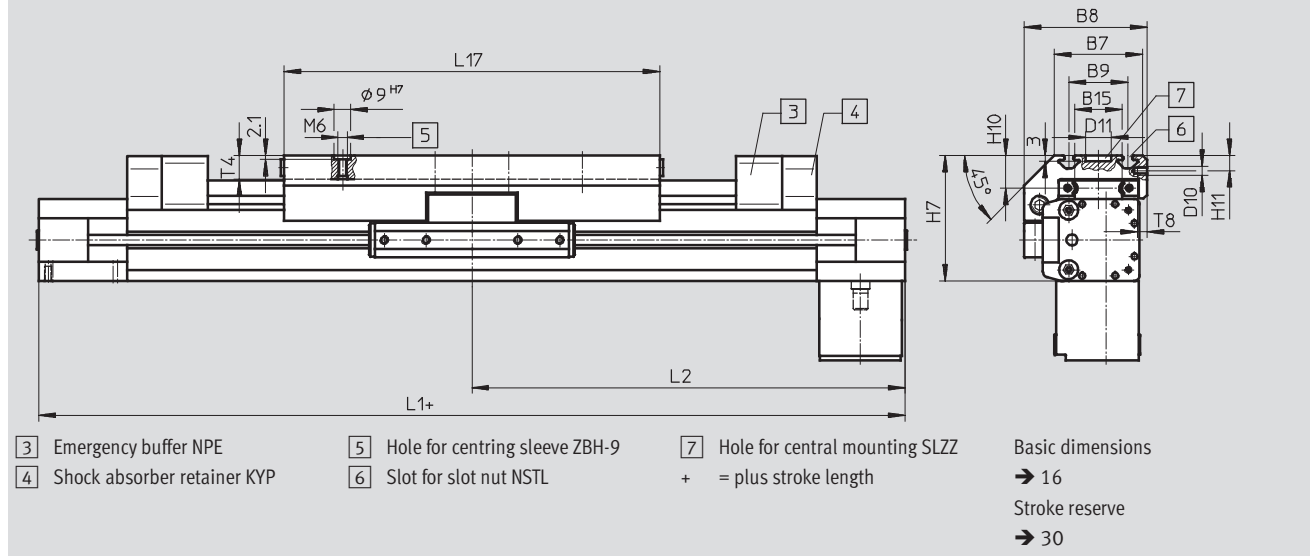
Toothed belt axes DGE-ZR-KF, with recirculating ball bearing guide

Technical data

Dimensions Download CAD Data → www.festo.com/us/cad

Extended slide GV

Size 25 ... 63



Toothed belt axes DGE-ZR-KF, with recirculating ball bearing guide

FESTO

Technical data

Size	B7	B8	B9 ±0.2	B15	D10	D11 ∅ G7	H7	H10	H11
25	48	67	32	23.5	M5	14	68.5	18.5	8.2
40	78.5	96.5	55	42	M5	25	90.5	20	7
63	121	142	90	71	M8	25	144.5	30	12.5

Size	L1	L2	l15	L16	L17 ±0.2	L19 ±0.1	L20 ±0.1	L21 ±0.1	T4 max.	T8
25	472	236	25	19	205	88	–	–	12.5	8.5
40	739	369.5	40	32	337	150	58	40	12.5	8.5
63	1132	566	60	44	480	200	72	120	20.5	10.5

Toothed belt axes DGE-ZR-KF, with recirculating ball bearing guide

FESTO

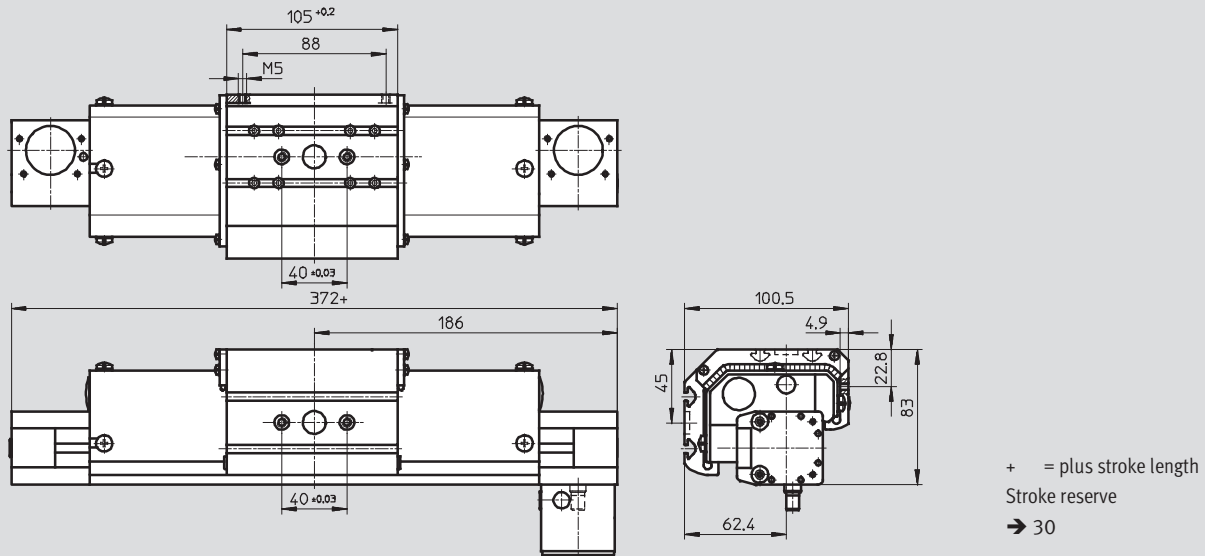
Technical data

Dimensions

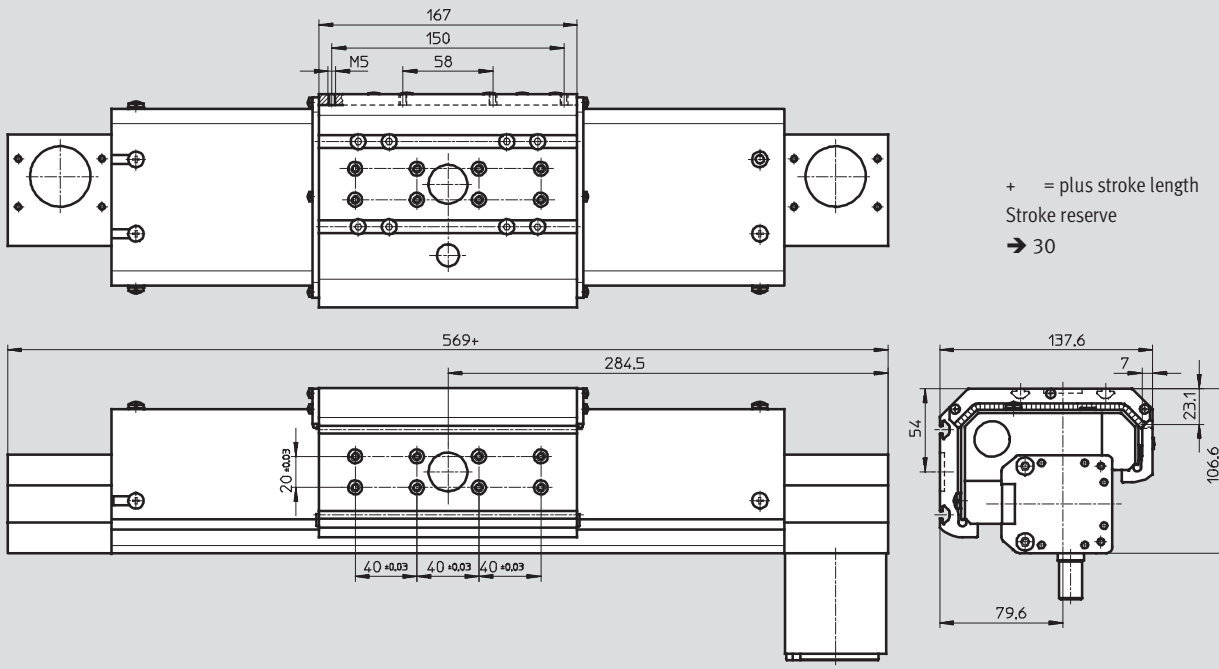
Download CAD Data → www.festo.com/us/cad

Protected version GA

Size 25



Size 40



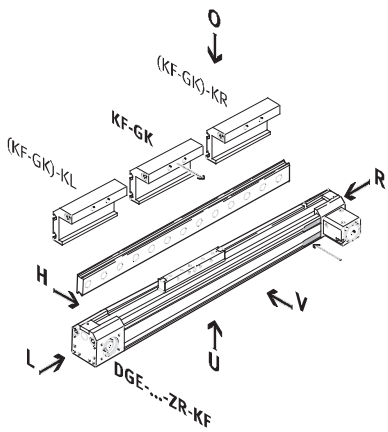
Toothed belt axes DGE-ZR-KF, with recirculating ball bearing guide

Ordering data – Modular products

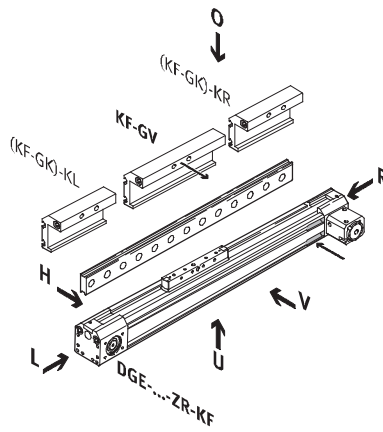
Order code

Mandatory data

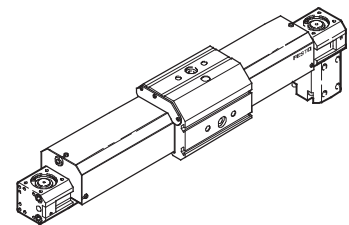
Standard slide GK



Extended slide GV

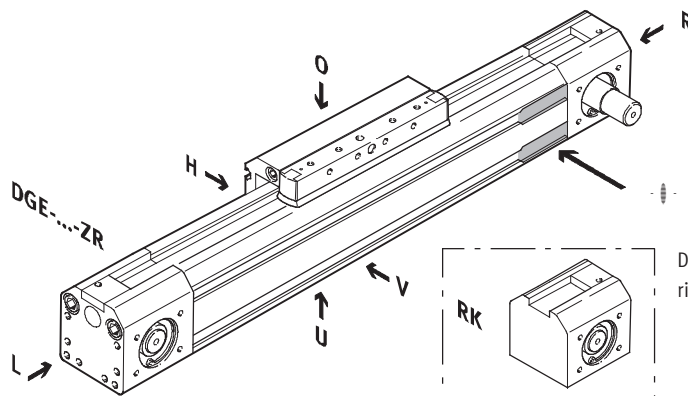


Protected version GA

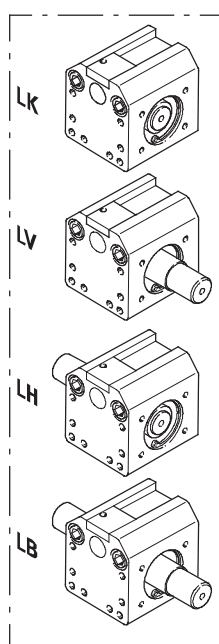


Drive shaft

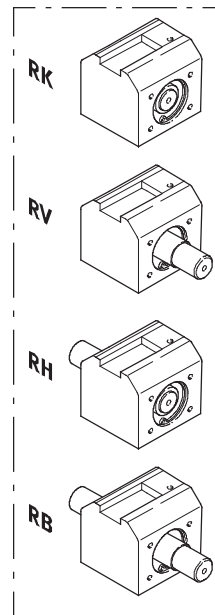
- LK No drive shaft on left
- LV Drive shaft on left, front
- LH Drive shaft on left, rear
- LB Drive shaft on left, front and rear
- RK No drive shaft on right
- RV Drive shaft on right, front
- RH Drive shaft on right, rear
- RB Drive shaft on right, front and rear



Drive shaft left



Drive shaft right



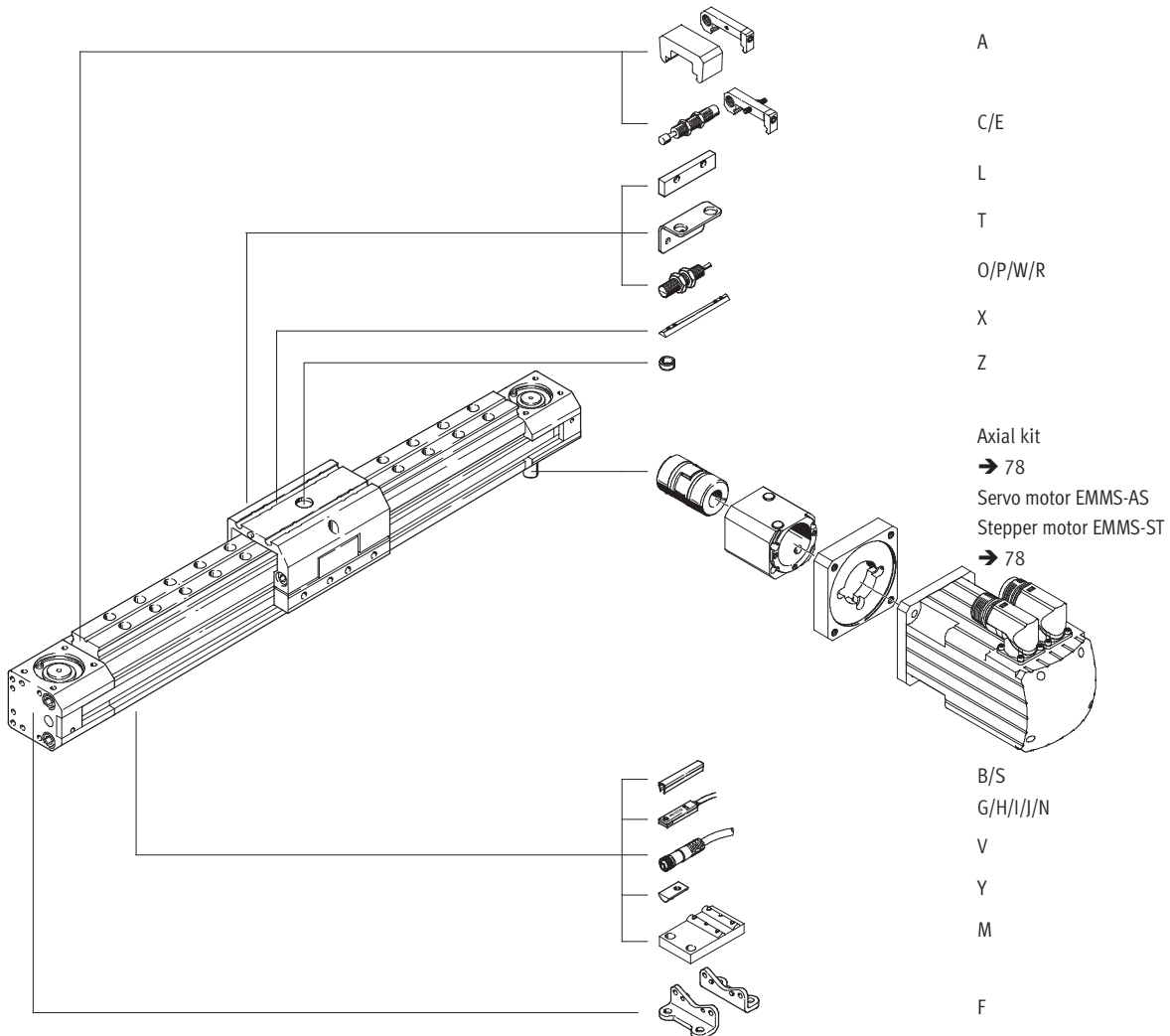
Note

The insertion point for the proximity sensor is located on the right side of the toothed belt axis

- O top
- U underneath
- R right
- L left
- V front
- H rear

Toothed belt axes DGE-ZR-KF, with recirculating ball bearing guide

Ordering data – Modular products



Toothed belt axes DGE-ZR-KF, with recirculating ball bearing guide

Ordering data – Modular products

M Mandatory data →

Module No.	Design	Size	Stroke	Drive function	Drive shaft on left	Drive shaft on right
193 739	DGE	8	1 ... 4500	ZR	LK	RK
193 740		12			LV	RV
193 741		18			LH	RH
193 742		25			LB	RB
193 743		40				
193 744		63				
Ordering example						
193 743	DGE	- 40	- 800	- ZR	- LK	- RV

Ordering table									
Size	8	12	18	25	40	63	Condition s	Code	Enter code
M Module No.	193 739	193 740	193 741	193 742	193 743	193 744			
Design	Electromechanical linear axis							DGE	DGE
Size	8	12	18	25	40	63	-...		
Stroke [mm]	1 ... 650	1 ... 1000		1 ... 3000	1 ... 4000	1 ... 4500	[1]	-...	
Drive function	Electromechanical drive with toothed belt							-ZR	-ZR
Drive shaft on left	No drive shaft on left						[2]	-LK	
	Drive shaft on left, front							-LV	
	Drive shaft on left, rear							-LH	
	Drive shaft on left, front and rear							-LB	
Drive shaft on right	No drive shaft on right						[3]	-RK	
	Drive shaft on right, front							-RV	
	Drive shaft on right, rear							-RH	
	Drive shaft on right, front and rear							-RB	

[1] Stroke Special stroke lengths:
 Module No. 8: 1000 mm
 Module No. 12: 1400 mm
 Module No. 18: 1700 mm
 Module No. 25: 5100 mm
 Module No. 40: 4900 mm
 Module No. 63: 4700 mm

[2] LK Not with drive shaft on right RK.
[3] RK Not with drive shaft on left LK.

Transfer order code

DGE - - - **ZR** - -

Toothed belt axes DGE-ZR-KF, with recirculating ball bearing guide

Ordering data – Modular products

Options		
Guide	Slide	Additional slide
KF	GK GV GA	KL KR
- KF	- GK	-

Ordering table												
Size	8	12	18	25	40	63	Conditions	Code	Enter code			
Guide	Recirculating ball bearing guide						[4]	-KF	-KF			
	Slide	Standard						[5]	-GK			
		Extended (maximum stroke for DGE...-ZR-KF-GV)	-	-	Extended (920 mm)	(2 900 mm)	(3 830 mm)	(4 250 mm)	[6]	-GV		
		Dust protection (maximum stroke for DGE...-ZR-KF-GA)	-	-	-	Dust proof version (1 800 mm)		(1 800 mm)	-	[6]	-GA	
Additional slide	Left (effective stroke reduction)	-	-	Standard slide left (85 mm)		(105 mm)	(167 mm)	(230 mm)	[7]	-KL		
	Right (effective stroke reduction)	-	-	Standard slide right (85 mm)		(105 mm)	(167 mm)	(230 mm)	[7]	-KR		

- [4] **KF** Only with slide GK, GV, GA.
- [5] **GK** Emergency buffer recommended → Accessory option "A".
- [6] **GV,GA** Emergency buffer is scope of delivery
- [7] **KL, KR** Only with slide GK or GV.
Emergency buffer recommended → Accessory option "A".

Transfer order code

- **KF** - -

Toothed belt axes DGE-ZR-KF, with recirculating ball bearing guide

Ordering data – Modular products

Options												
Accessories	Slot cover	Slot nut	Central support	Foot mounting	Emergency buffer and retainer	Shock absorber	Centring sleeve	Proximity sensor	Plug socket	Sensor bracket	Switching lug	Inductive sensor
ZUB	...S ...B	...Y ...X	...M	...F	...A	...C ...E	...Z	...G ...H ...I ...J ...N	...V	...T	...L	...O ...P ...W ...R
ZUB	- 2S2B	10Y2X		F				2I				

Ordering table											
Size	8	12	18	25	40	63	Conditions	Code	Enter code		
Accessories	Supplied separately								ZUB-		ZUB-
Slot cover	Sensor slot	1 ... 10									...S
	Mounting slot	-	-	-	-	1 ... 10		...B			
Slot nut	for mounting slot	-	-	1 ... 10				...Y			
	for slide	-	-	-	1 ... 10			...X			
Central support	1 ... 10									...M	
Foot mounting (kit)	1 ... 10									...F	
Emergency buffer and retainer for KF	-	-	1 ... 2				[8]	...A			
Shock absorber and retainer for KF-GK, KF-GV	1 ... 2									[9]	...C
for KF-GA	-	-	-	1 ... 2		-	[10]	...E			
Centring sleeve (pack of 10)	10, 20, 30, 40, 50, 60, 70, 80, 90									...Z	
Proximity sensor	with cable 2.5 m	1 ... 10									...G
	with plug	1 ... 10									...H
	contactless with cable 2.5 m	1 ... 10									...I
	contactless, plug	1 ... 10									...J
	NC contact with cable 2.5 m	1 ... 10									...N
Cable with socket 2.5 m	1 ... 10									...V	
Sensor bracket for inductive sensors	-	-	1 ... 5				[9]	...T			
Switching lug	-	-	1				[9]	L			
Inductive sensor	NO contact, cable	-	-	1 ... 5				[9]	...O		
	NC contact, cable	-	-	1 ... 5				[9]	...P		
	NO contact, plug	-	-	1 ... 5				[9]	...W		
	NC contact, plug	-	-	1 ... 5				[9]	...R		

[8] A Only with slide GK.
Mounted as standard for slide GV, GA

[10] E Only with slide GA.

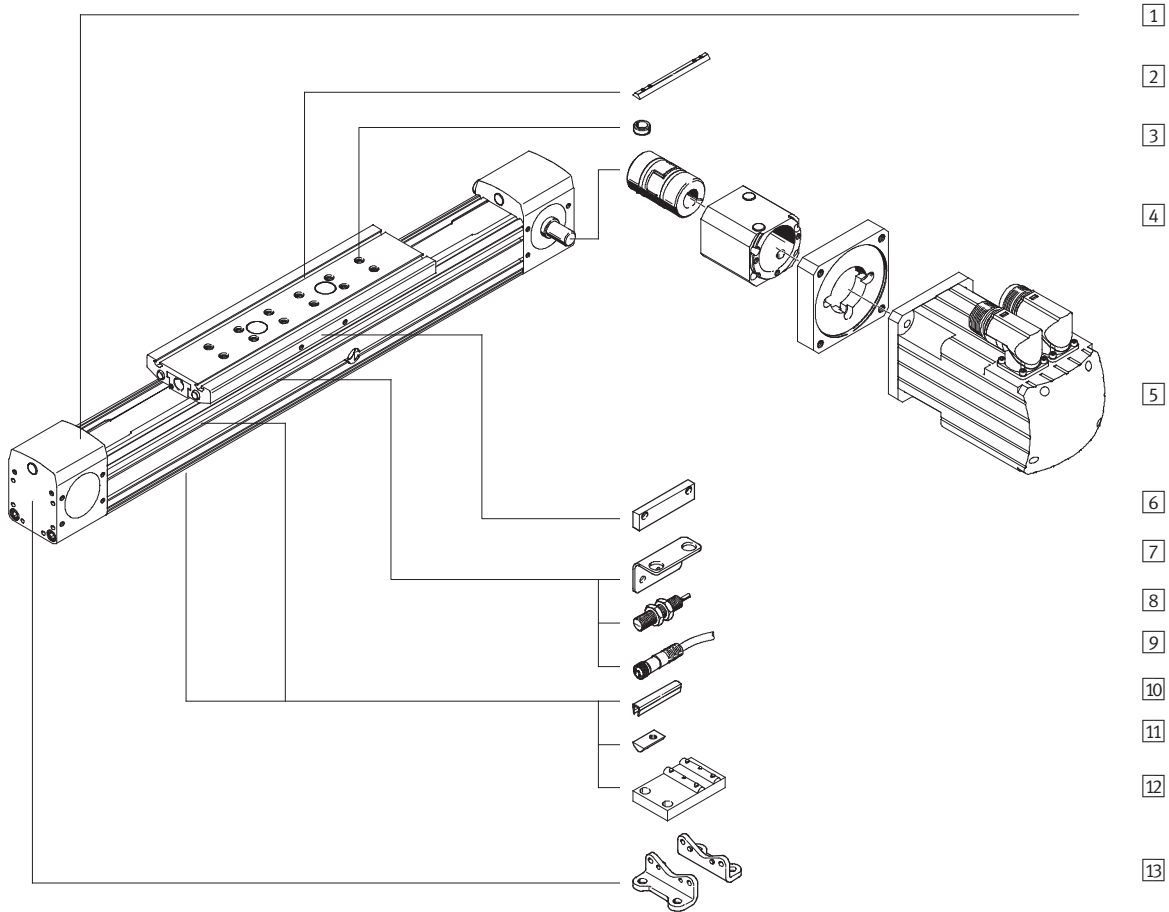
[9] C, T, L, O, P, W, R
Not with slide GA.

Transfer order code

ZUB -

Toothed belt axes DGE-ZR-RF, with roller guide

Peripherals overview



Toothed belt axes DGE-ZR-RF, with roller guide

Peripherals overview

Variants and accessories		
Type	Brief description	→ Page/Internet
1 Toothed belt axis DGE-RF	Electromechanical axis with roller guide	48
2 Slot nut for slide X	For mounting loads and attachments on the slide	92
3 Centring sleeve Z	For centring loads and attachments on the slide	92
4 Axial kit EAMM-A	For axial motor attachment (consisting of: coupling housing, clamping component, motor flange)	78
5 Motor EMMS	Motors specially matched to the axis, with or without gearing, with or without brake	78
6 Switching lug L	For sensing the slide position	90
7 Sensor bracket T	Adapter for mounting the sensors on the axis	90
8 Inductive proximity sensor O/P/W/R	For use as a proximity signal and safety monitor	93
9 Cable with socket V	For proximity sensors	93
10 Slot cover B	For protecting against the ingress of dirt	92
11 Slot nut for profile slot Y	For mounting attachments	92
12 Central support M	For mounting the axis	84
13 Foot mounting F	For mounting the axis	83

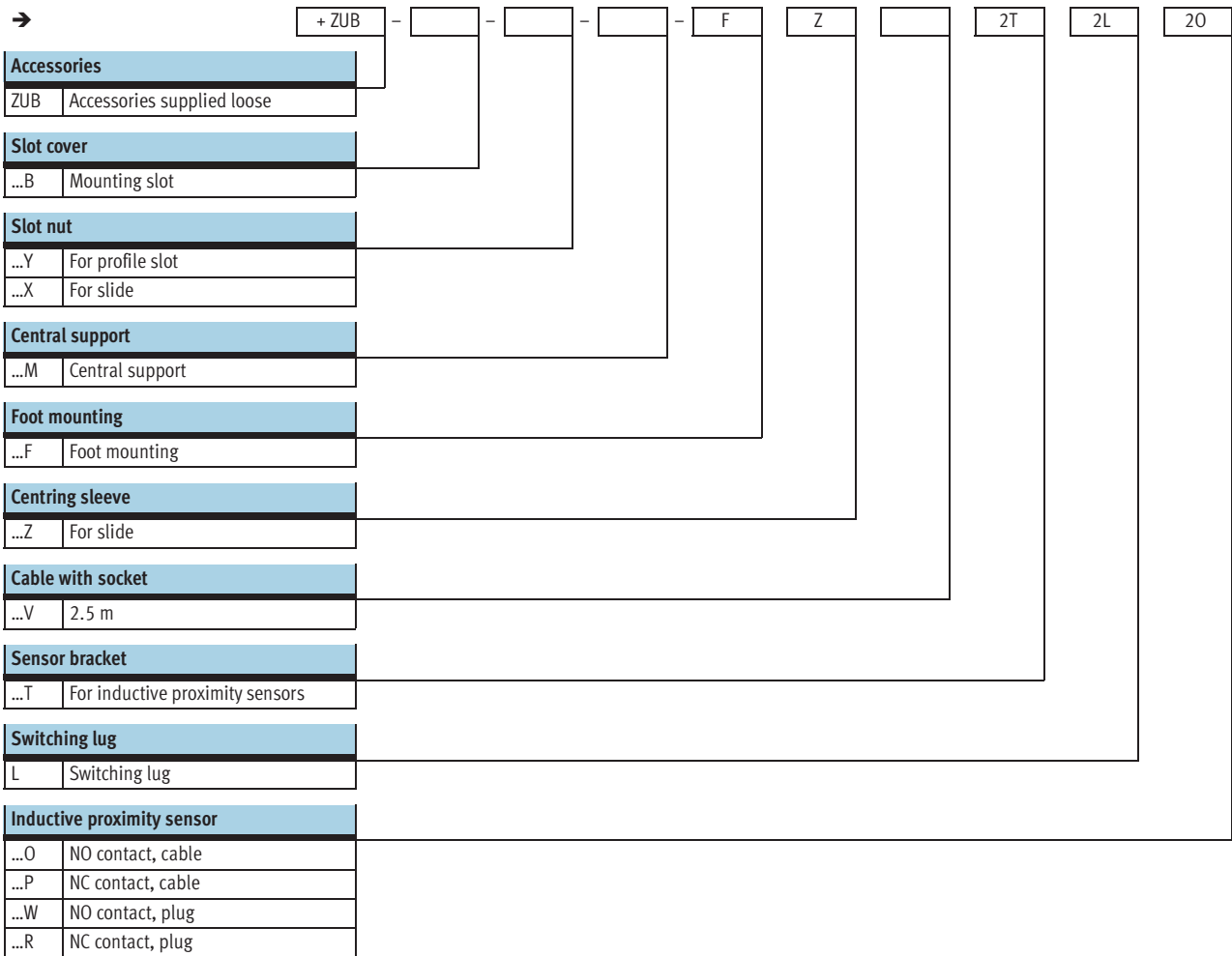
Toothed belt axes DGE-ZR-RF, with roller guide

Type code

	DGE	-	25	-	500	-	ZR	-	RF	-	LK	-	RV	-	GK
Type															
DGE	Toothed belt drive														
Size															
Stroke [mm]															
Drive function															
ZR	Toothed belt														
Guide															
RF	Roller guide														
Drive shaft on left															
LK	No drive shaft on left														
LV	Drive shaft on left, front														
LH	Drive shaft on left, rear														
LB	Drive shaft on left, front and rear														
Drive shaft on right															
RK	No drive shaft on right														
RV	Drive shaft on right, front														
RH	Drive shaft on right, rear														
RB	Drive shaft on right, front and rear														
Slide															
GK	Standard slide														
GV	Extended slide														

Toothed belt axes DGE-ZR-RF, with roller guide

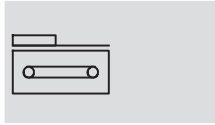
Type code



Toothed belt axes DGE-ZR-RF, with roller guide

Technical data

Function



- N- Size
25, 40 and 63
- T- Stroke length
1 ... 5000 mm



General technical data			
Size	25	40	63
Constructional design	Electromechanical axis with toothed belt and internal roller guide		
Guide	Internal roller guide		
Mounting position	Any		
Max. working stroke ¹⁾	[mm] 1 ... 5000	1 ... 5000	1 ... 5000 ²⁾
Max. working load	[kg] 15	30	60
Max. feed force F_x	[N] 260	610	1500
Max. radial force ³⁾	[N] 260	935	2490
Radial force ⁴⁾	[N] 110	100	1050
Max. driving torque	[Nm] 3.7	12.1	55.38
Max. no-load torque	[Nm] 0.5	1.0	4.5
Max. speed	[m/s] 10		
Max. acceleration	[m/s ²] 50	50	50
Repetition accuracy	[mm] ±0.1		

- 1) Total stroke = working stroke + 2x stroke reserve
- 2) In the case of the variant with extended slide (-GV), the maximum working stroke is 4,800 mm
- 3) On the drive shaft
- 4) On the drive shaft, with a service life of 10,000 km

Operating and environmental conditions			
Size	25	40	63
Ambient temperature	[°C] 0 ... +60		
Protection class	IP40		

Weights [kg]						
Size	25		40		63	
	GK	GV	GK	GV	GK	GV
Basic weight with 0 mm stroke	2.61	3.15	7.75	9.32	29.81	34.91
Additional weight per 100 mm stroke	0.30		0.61		1.44	
Moving load	0,62	0,85	2,00	2,70	5,20	7,00

Mass moment of inertia						
Size	25		40		63	
	GK	GV	GK	GV	GK	GV
J_0	[kg cm ²] 1.75	2.75	9.89	15.37	108.11	156.71
J_H per metre stroke	[kg cm ² /m] 0.188		0.933		7.605	
J_L per kg working load	[kg cm ² /kg] 2.052		3.958		13.634	

The mass moment of inertia J_A of the entire axis is calculated as follows:

$$J_A = J_0 + J_H \times \text{working stroke [m]} + J_L \times m_{\text{working load [kg]}}$$

Toothed belt axes DGE-ZR-RF, with roller guide

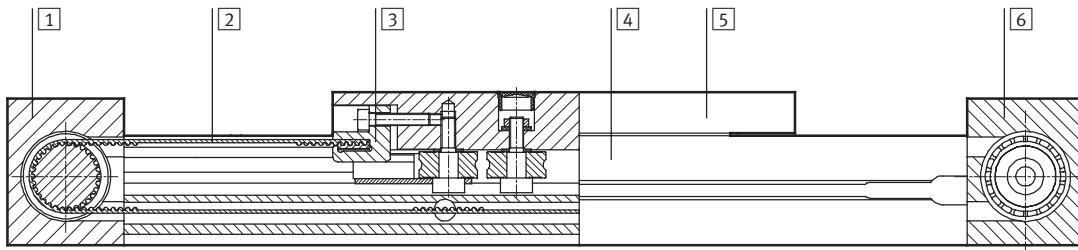
Technical data

Toothed belt				
Size		25	40	63
Tensile stress ¹⁾	[%]	0.16	0.11	0.15
Pitch	[mm]	3	5	8
Effective diameter	[mm]	28.65	39.79	73.85
Feed constant	[mm]	90	125	232

1) At max. feed force

Materials

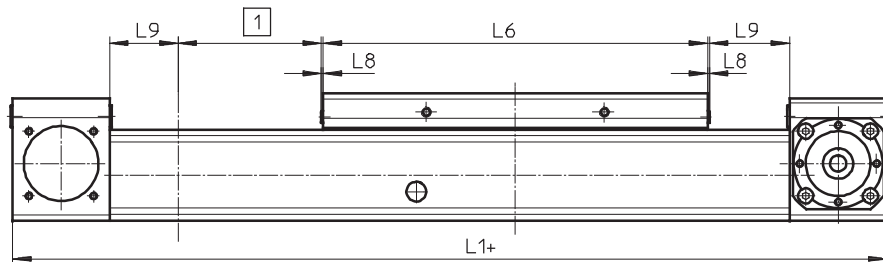
Sectional view



Axis		
1	Return pulley housing	Anodised aluminium
2	Toothed belt	Polychloroprene with Glascord and nylon coating
3	Clamping component	Special steel casting
4	Profile	Anodised aluminium
5	Slide	Anodised aluminium
6	Drive housing	Anodised aluminium

Stroke reserve

- L9 Stroke reserve:
Safety distance to mechanical stop, present at both ends of the axis in addition to the stroke.
- L6 Slide length
- L8 Stop element
- L1+ Overall length of axis
- 1 Working stroke



Example:
Type DGE-25-500-ZR-RF

Working stroke = 500 mm
 Stroke reserve = (2x 63 mm)
 = 126 mm
 Total stroke = 500 mm + 126 mm
 = 626 mm

Stroke reserve L9 [mm] per end position			
Size	25	40	63
Standard slide GK	63	100	172
Extended slide GV	63	100	172

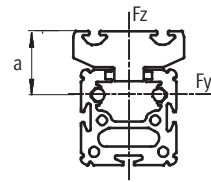
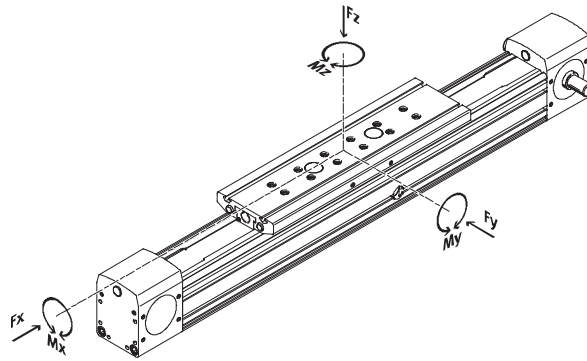
Toothed belt axes DGE-ZR-RF, with roller guide

Technical data



Characteristic load values

The indicated forces and torques refer to the centre of the guide. They must not be exceeded in the dynamic range. Special attention must be paid to the cushioning phase.



Distance a with:
 DGE-25: 30 mm
 DGE-40: 37 mm
 DGE-63: 44.6 mm

If the drive is subjected to more than two of the indicated forces and torques simultaneously, the following equations must be satisfied in addition to the indicated maximum loads.

Calculating the load comparison factor:

$$f_v = \frac{|F_y|}{F_{y_{max}}} + \frac{|F_z|}{F_{z_{max}}} + \frac{|M_x|}{M_{x_{max}}} + \frac{|M_y|}{M_{y_{max}}} + \frac{|M_z|}{M_{z_{max}}} \leq 1$$

Permissible forces and torques

Size	25		40		63	
	GK	GV	GK	GV	GK	GV
F _{xmax.} [N]	260		610		1500	
F _{ymax.} [N]	150		300		600	
F _{zmax.} [N]	150		300		600	
M _{xmax.} [Nm]	7		18		65	
M _{ymax.} [Nm]	15	30	60	120	170	340
M _{zmax.} [Nm]	15	30	90	180	300	600

Service life

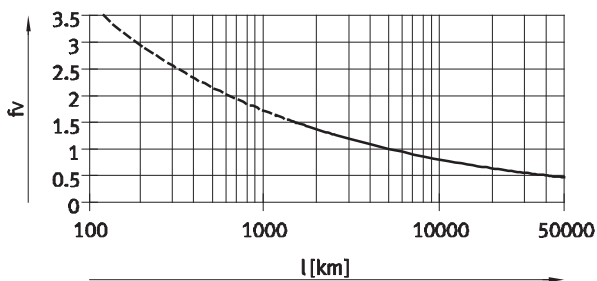
The service life of the guide depends on the load. To provide a rough indication of the service life of the

guide, the graph below plots the load comparison factor f_c against the service life.

This graph only shows theoretical values. Consultation with your local contact person at Festo is mandatory

for load comparison factors f_c greater than 1.5.

Load comparison factor f_c as a function of service life



Example:

A user wants to move an X kg load. Using the above calculation gives a value of 1.5 for the load comparison factor f_c . According to the graph, the guide would have a service life of

approx. 1,500 km. Reducing the acceleration reduces the M_z and M_y values. A load comparison factor of 1 now gives a service life of 5,000 km.

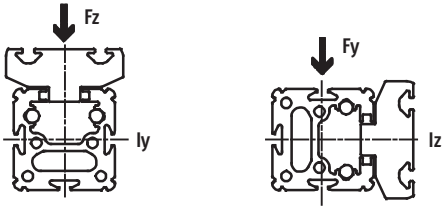
Note

Sizing software
 PositioningDrives
www.festo.com

Toothed belt axes DGE-ZR-RF, with roller guide

Technical data

2nd moment of area



Size		25	40	63
l_y	[mm ⁴]	1.88×10^5	7.03×10^5	4.75×10^6
l_z	[mm ⁴]	2.36×10^5	9.463×10^5	5.997×10^6

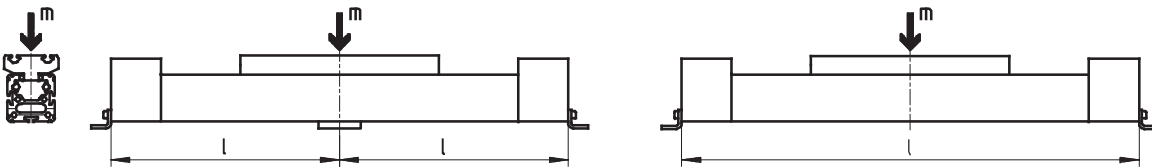
Maximum permissible support span l as a function of the applied load m

The axis may need to be supported with central supports MUP in order to restrict deflection with long stroke lengths. The following diagrams serve

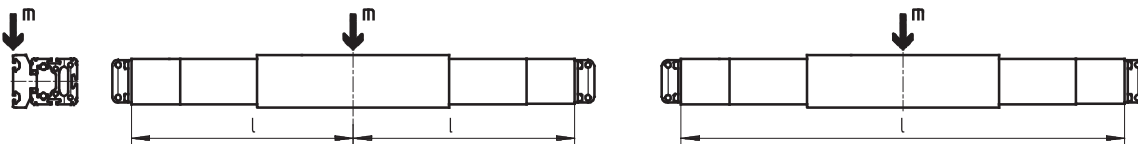
to determine the maximum permissible support span as a function of the applied load acting upon the axis.

A distinction is made here between forces acting upon the surface of the slide and forces acting upon the front of the slide.

1 Load on the surface of the slide

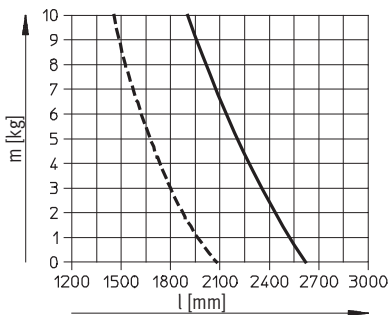


2 Load on the front of the slide

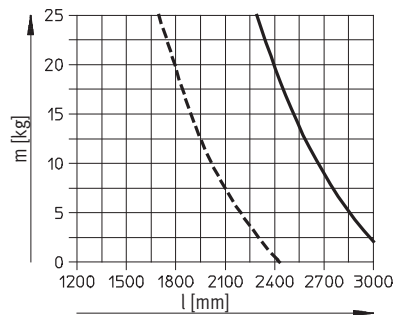


Maximum support span l (without central support) as a function of the applied load m

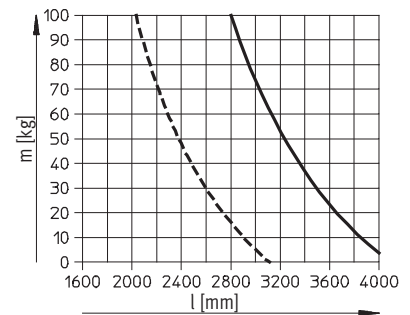
DGE-25-RF



DGE-40-RF



DGE-63-RF



- 1
- - - 2

Toothed belt axes DGE-ZR-RF, with roller guide

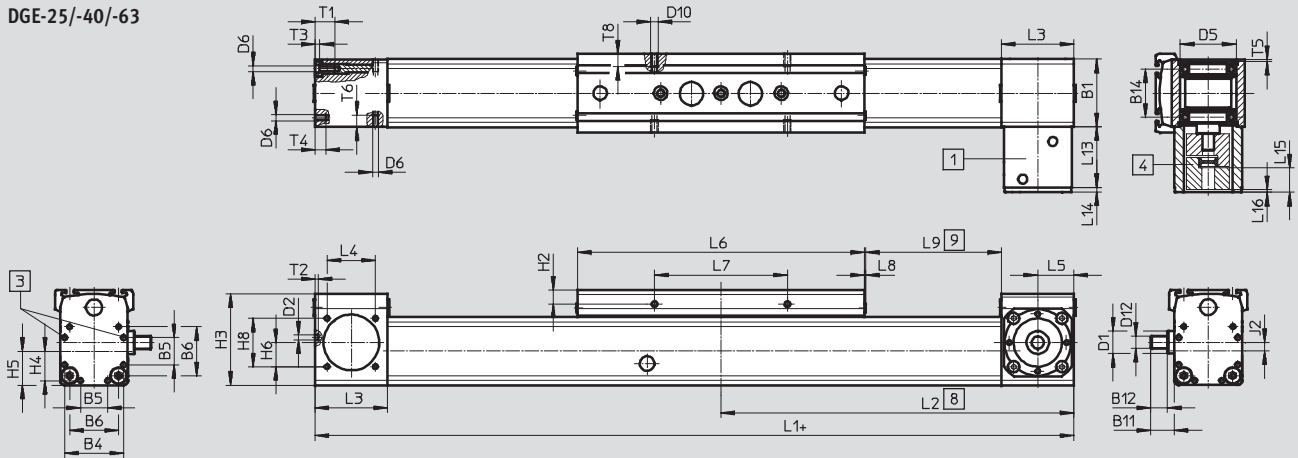
Technical data

FESTO

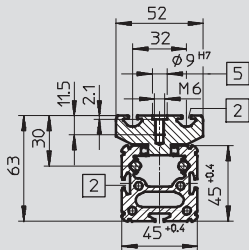
Dimensions

Download CAD Data → www.festo.com/us/cad

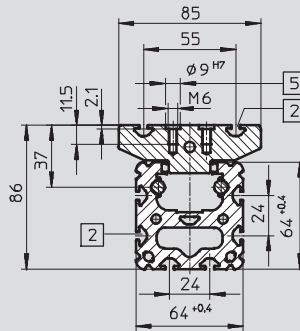
DGE-25/-40/-63



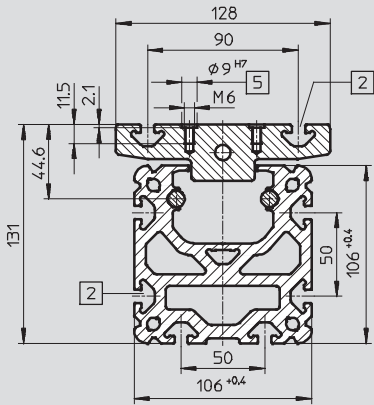
DGE-25



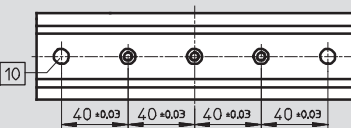
DGE-40



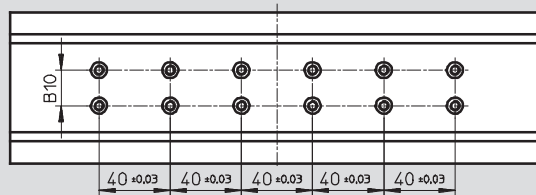
DGE-63



DGE-25-GK



DGE-40-GK



- 1 Coupling housing
- 2 Slot for slot nuts
- 3 Centring hole for foot mounting

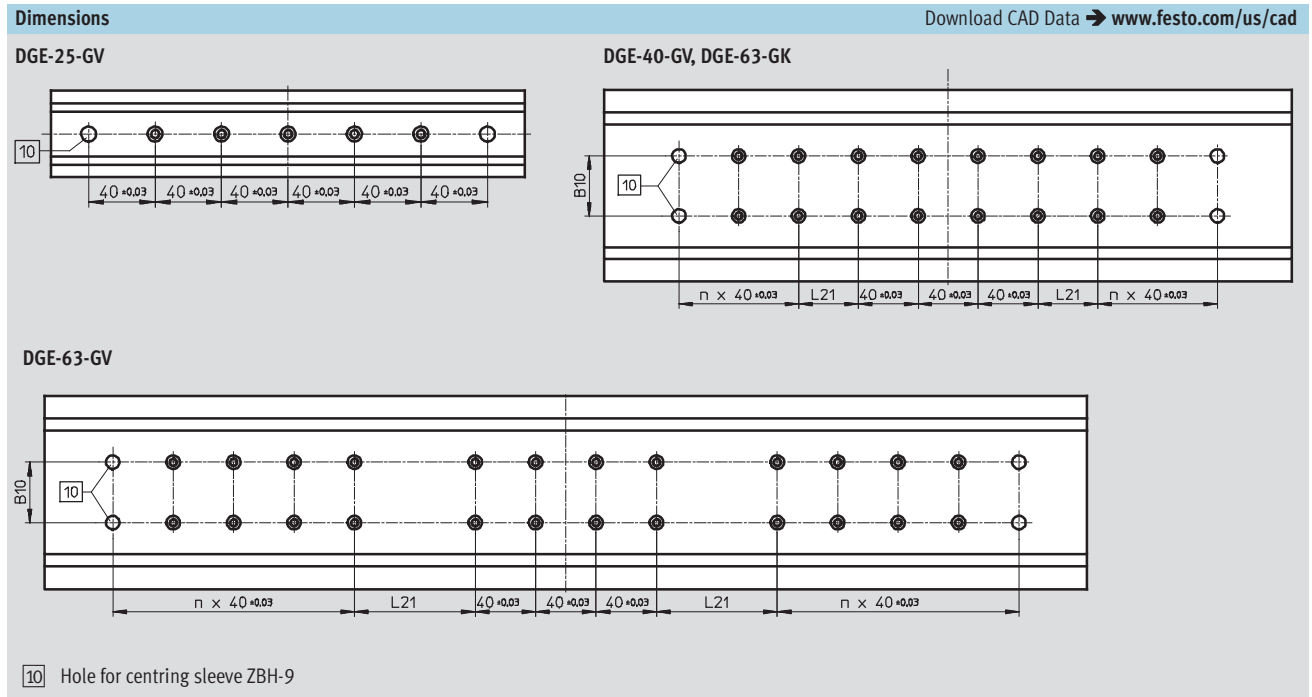
- 4 Coupling
- 5 Hole for centring sleeve ZBH-9 and mounting thread

- 8 Driver in end position of working stroke (stroke reserve up to mechanical stop still present)

- 9 Stroke reserve → 49
 - 10 Hole for centring sleeve ZBH-9
- + = plus stroke length present

Toothed belt axes DGE-ZR-RF, with roller guide

Technical data



Size	B1	B4	B5	B6	B10 ±0.03	B11	B12	B14	D1 ∅	D2	D5 H7	D6	D10	D12 ∅ h6	
25	GK GV	45	39.1	18	32.5	-	15.6	11	31.8	15	3.3 _{+0.1}	37	M4	M5	8
40	GK GV	64	53	28	49	20	29.6	24.5	45.5	20	4.4 _{H13}	47	M5	M5	15
63	GK GV	106	89	44	83	40	41.1	35.2	74.3	35	6.4 _{+0.1}	80	M8	M8	25

Size	H2	H3	H4	H5	H6	H8	J2	L1	L2	L3	L4	L5	L6	L7	
25	GK GV	9.3	60.4	19.6	22.5	16	32	5.8	414 509	207 254.5	48	32	24	190 285	88
40	GK GV	9.5	83.8	26.5	32	19.5	30	8.8	638 778	319 389	67	54	34	300 440	58
63	GK GV	10.5	129.3	44.5	52.8	27.5	49	10.1	1020 1250	510 625	106	84	55	460 690	72

Size	L8	L9	L13	L14	L15	L16	L21 ±0.03	n	T1	T2	T3	T4	T5	T6	T8	
25	GK GV	1	63	40	3,2	14,6	3,6	-	-	13	2	3	7	< 1.6	8	8.5
40	GK GV	2	100	65	4	22,8	-2,2	40	- 2	13.2	3	5	12	< 2.9	12	8.5
63	GK GV	2	172	91	5	35	0	40 80	2 4	21.2	4	6.5	22	< 5.1	15	12

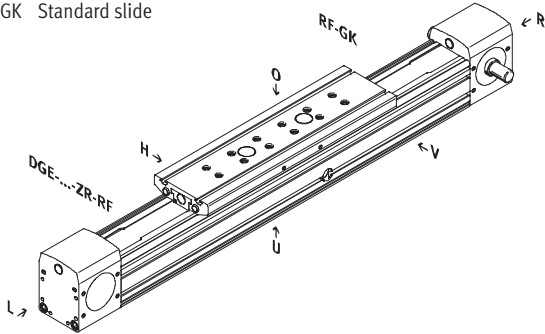
Toothed belt axes DGE-ZR-RF, with roller guide

Ordering data – Modular products

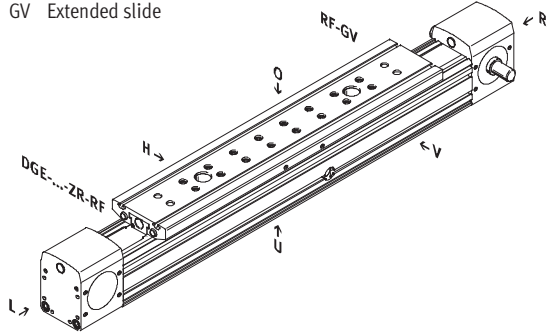
Order code

Mandatory data

GK Standard slide

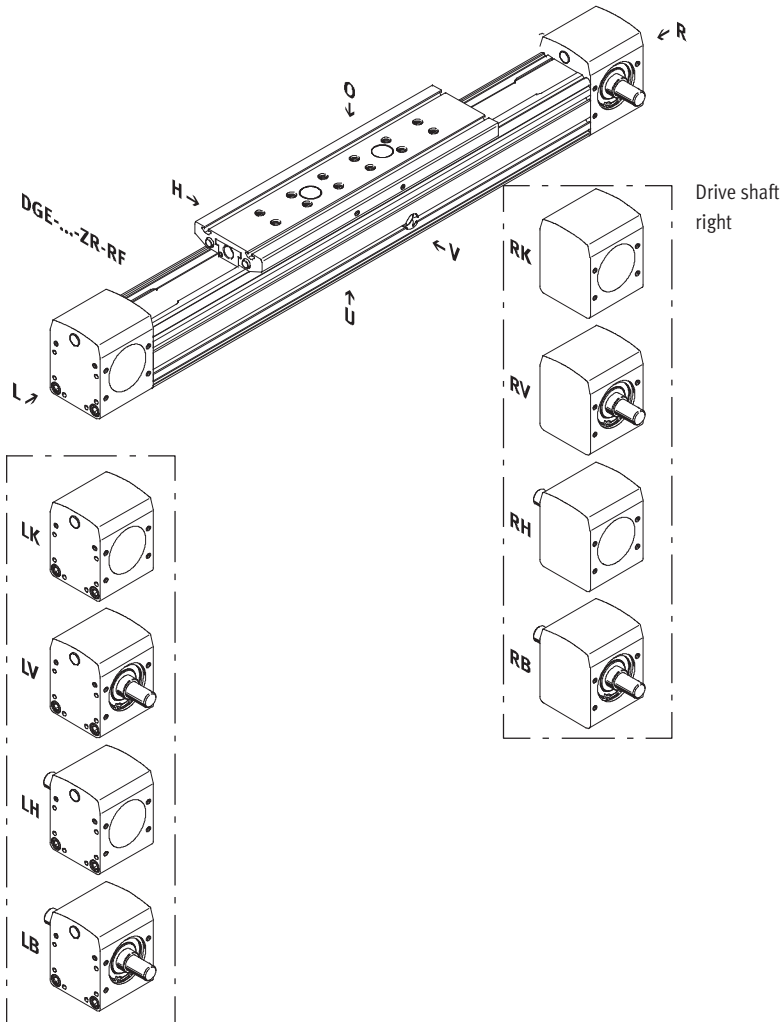


GV Extended slide



Drive shaft

- LK No drive shaft on left
- LV Drive shaft on left, front
- LH Drive shaft on left, rear
- LB Drive shaft on left, front and rear
- RK No drive shaft on right
- RV Drive shaft on right, front
- RH Drive shaft on right, rear
- RB Drive shaft on right, front and rear



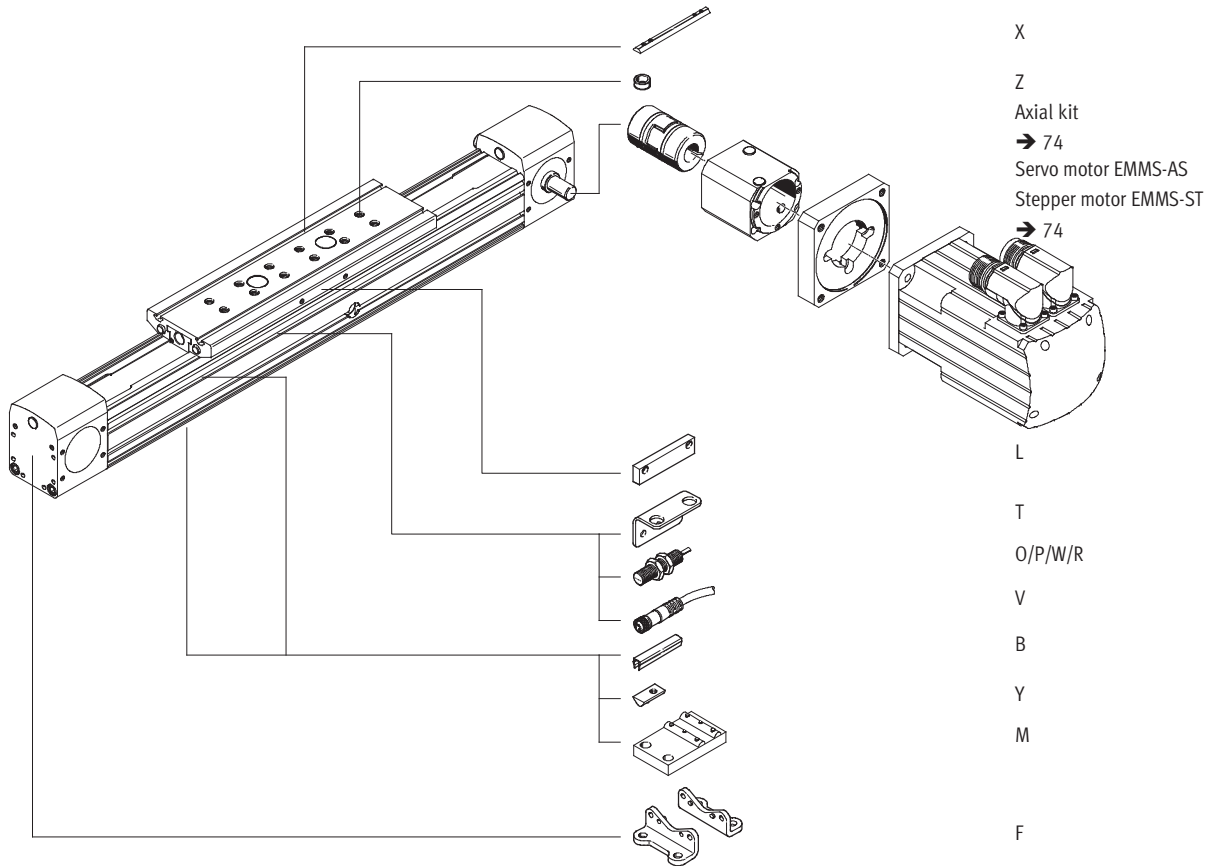
- O top
- U underneath
- R right
- L left
- V front
- H rear

Toothed belt axes DGE-ZR-RF, with roller guide

Ordering data – Modular products

Order code

Options



Toothed belt axes DGE-ZR-RF, with roller guide

Ordering data – Modular products

M Mandatory data →

Module No.	Design	Size	Stroke	Drive function	Guide	Drive shaft on left	Drive shaft on right	Slide
534 391	DGE	25	1 ... 5 000	ZR	RF	LK LV LH LB	RK RV RH RB	GK GV
534 392		40						
534 393		63						
Ordering example								
534 391	DGE	- 25	- 600	- ZR	- RF	- LK	- RV	- GK

Ordering table

Size	25	40	63	Conditions	Code	Enter code
M Module No.	534 391	534 392	534 393			
Design	Electromechanical linear drive				DGE	DGE
Size	25	40	63		-...	
Stroke [mm]	1 ... 5000	1 ... 5000	1 ... 5000		-...	
Drive function	Electromechanical drive with toothed belt				-ZR	-ZR
Guide	Roller guide				-RF	-RF
Drive shaft on left	No drive shaft on left			[1]	-LK	
	Drive shaft on left, front				-LV	
	Drive shaft on left, rear				-LH	
	Drive shaft on left, front and rear				-LB	
Drive shaft on right	No drive shaft on right			[2]	-RK	
	Drive shaft on right, front				-RV	
	Drive shaft on right, rear				-RH	
	Drive shaft on right, front and rear				-RB	
Slide	Standard slide				-GK	
	Extended slide			[3]	-GV	

- [1] LK Not with drive shaft on right RK.
- [2] RK Not with drive shaft on left LK.

- [3] GV Maximum stroke: Size 63: 4800 mm

Transfer order code

Toothed belt axes DGE-ZR-RF, with roller guide

Ordering data – Modular products

Options									
Accessories	Slot cover		Central support		Centring pins/sleeves		Sensor bracket		Inductive sensor
ZUB	Slot nut		Foot mounting		Plug socket		Switching lug		
	...B	...Y ...X	...M	...F	...Z	...V	...T	L	...O ...P ...W ...R
ZUB	-	2X					2T		20 2P

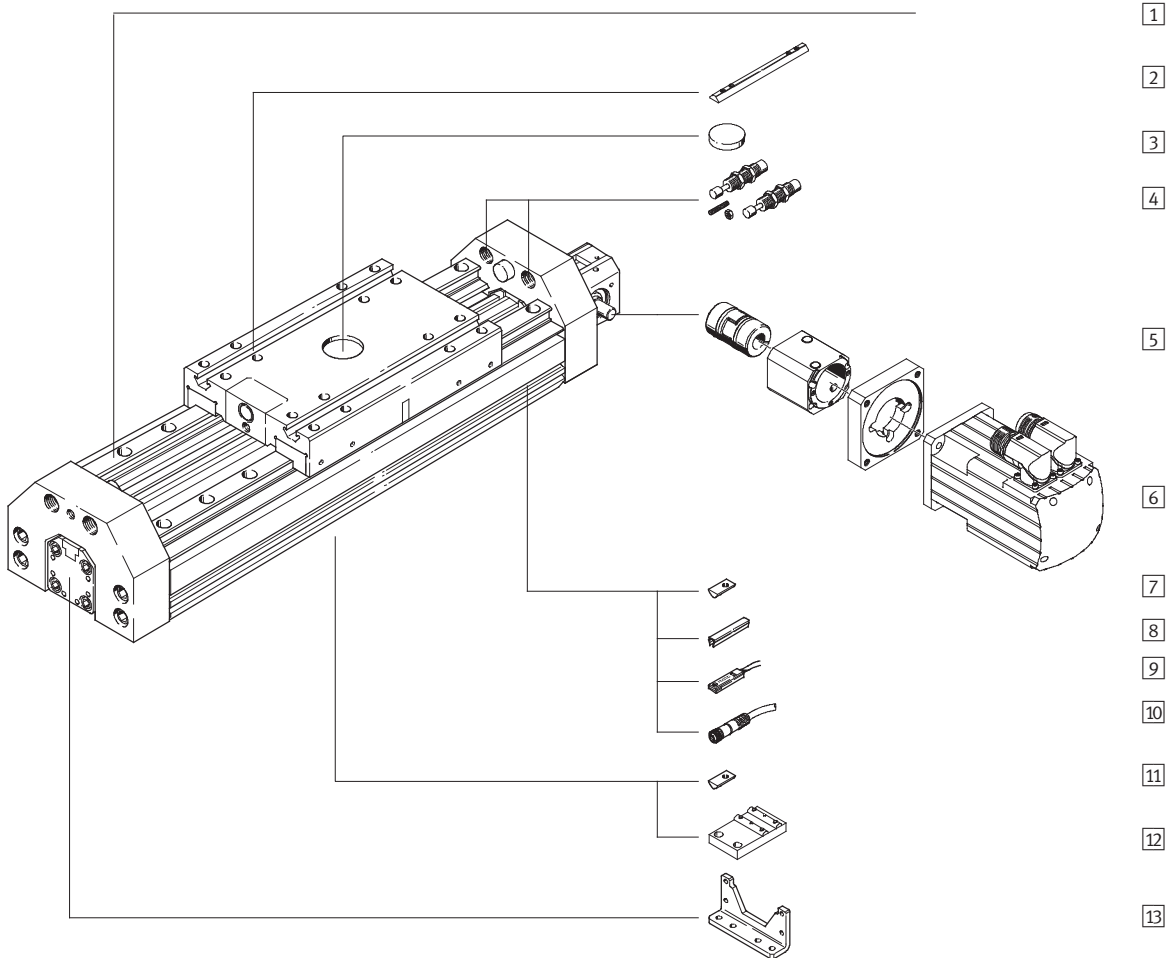
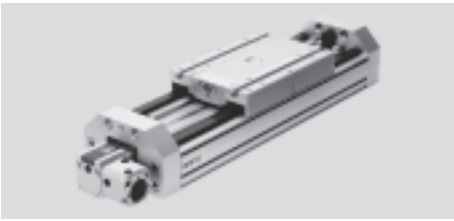
Ordering table						
Size	25	40	63	Conditions	Code	Enter code
0 Accessories	Supplied separately				ZUB-	ZUB-
Slot cover for mounting slot	1 ... 10				...B	
Slot nut for profile slot	1 ... 10				...Y	
Slot nut for slide	1 ... 10				...X	
Central support	1 ... 10				...M	
Foot mounting (kit)	1 ... 10				...F	
Centring sleeve (pack of 10)	10, 20, 30, 40, 50, 60, 70, 80, 90				...Z	
Cable with socket, 2.5 m	1 ... 10				...V	
Sensor bracket for inductive sensors	1 ... 5				...T	
Switching lug	1				L	
Inductive proximity sensor	NO contact with cable	1 ... 5			...O	
	NC contact with cable	1 ... 5			...P	
	NO contact with plug	1 ... 5			...W	
	NC contact with plug	1 ... 5			...R	

Transfer order code

ZUB - [] [] [] [] [] [] [] [] [] []

Toothed belt axes DGE-ZR-HD, with heavy-duty guide

Peripherals overview



Toothed belt axes DGE-ZR-HD, with heavy-duty guide

Peripherals overview

Variants and accessories		
Type	Brief description	➔ Page/Internet
1 Toothed belt axis DGE-ZR-HD	Electromechanical axis with heavy-duty guide	60
2 Slot nut for slide X	For mounting loads and attachments on the slide	88
3 Central mounting Q	For centring loads and attachments on the slide	88
4 Shock absorber kits D	For avoiding damage at the end stop in the event of malfunction	85
5 Axial kit EAMM-A	For axial motor attachment (consisting of: coupling housing, clamping component, motor flange)	74
6 Motor EMMS	Motors specially matched to the axis, with or without gearing, with or without brake	74
7 Slot nut for profile slot Y	For mounting attachments	88
8 Slot cover B/S	For protecting against dirt	88
9 Proximity sensor G/H/I/J/N	For use as a signal or safety check	89
10 Cable with socket V	For proximity sensors	89
11 Slot nut for HD underneath U	For mounting attachments	88
12 Central support M	For mounting the axis	81
13 Foot mounting F	For mounting the axis	81

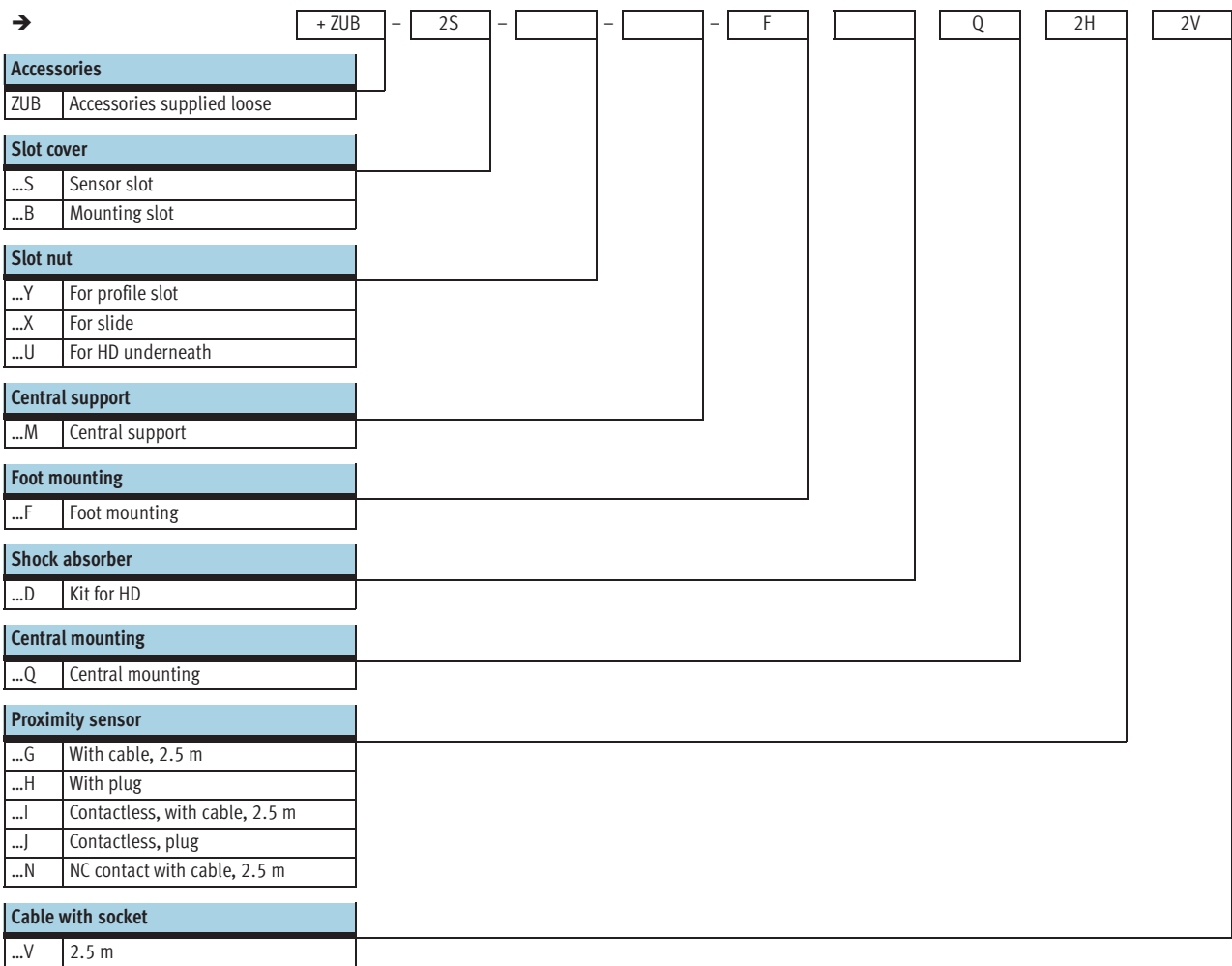
Toothed belt axes DGE-ZR-HD, with heavy-duty guide

Type code

	DGE	-	25	-	500	-	ZR	-	LK	-	RV	-		-	GK
Type															
DGE	Toothed belt drive														
Size															
Stroke [mm]															
Drive function															
ZR	Toothed belt														
Drive shaft on left															
LK	No drive shaft on left														
LV	Drive shaft on left, front														
LH	Drive shaft on left, rear														
LB	Drive shaft on left, front and rear														
Drive shaft on right															
RK	No drive shaft on right														
RV	Drive shaft on right, front														
RH	Drive shaft on right, rear														
RB	Drive shaft on right, front and rear														
Guide															
HD	Heavy-duty guide														
Slide															
GK	Standard slide														

Toothed belt axes DGE-ZR-HD, with heavy-duty guide

Type code

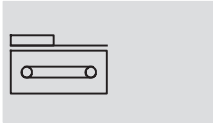


Toothed belt axes DGE-ZR-HD, with heavy-duty guide

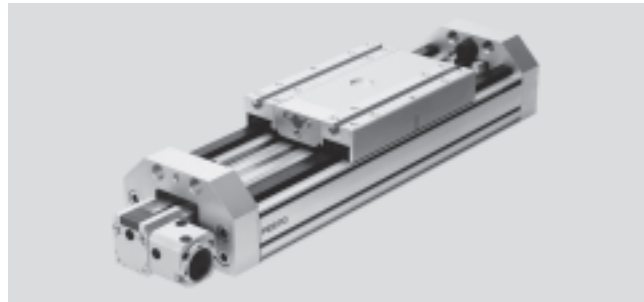
Technical data

Function

[www.festo.com/en/
Spare_parts_service](http://www.festo.com/en/Spare_parts_service)



- N- Size
18 ... 40
- T- Stroke length
1 ... 2000 mm



General technical data					
Size		18-HD18	25-HD25	25-HD40	40-HD40
Constructional design		Electromechanical axis with heavy-duty guide			
Guide		Recirculating ball bearing guide			
Mounting position		Any			
Max. working stroke	[mm]	1 ... 1000	1 ... 2000	1 ... 2000	1 ... 2000
Max. working load	[kg]	4.2	18	16	48
Max. feed force F_x	[N]	60	260	260	610
Max. radial force ¹⁾	[N]	290	307	307	984
Radial force ²⁾	[N]	117	235	235	370
Radial force ³⁾	[N]	80	140	140	170
Max. driving torque	[Nm]	0.5	2.6	2.6	9.7
Max. no-load driving torque ⁴⁾	[Nm]	0.2	0.5	0.5	1
Max. speed	[m/s]	3			
Repetition accuracy	[mm]	±0.08	±0.1		

- 1) On the drive shaft
- 2) On the drive shaft, with a service life of 5,000 km
- 3) On the drive shaft, with a service life of 10,000 km
- 4) Measured at a speed of 0.2 m/s

Operating and environmental conditions					
Size		18-HD18	25-HD25	25-HD40	40-HD40
Ambient temperature	[°C]	-10 ... +40			
Protection class		IP40			

Weights [kg]					
Size		18-HD18	25-HD25	25-HD40	40-HD40
Basic weight with 0 mm stroke ¹⁾		3.812	5.63	14.33	17.75
Additional weight per 100 mm stroke		0.883	1.51	2.1	2.42

- 1) Including coupling housing and slide

Mass moment of inertia					
Size		18-HD18	25-HD25	25-HD40	40-HD40
J_0	[kg cm ²]	0.372	2.32	4.23	12
J_H per metre stroke	[kg cm ² /m]	0.021	0.078	0.078	0.45
J_L per kg working load	[kg cm ² /kg]	0.685	1	1	2.53

The mass moment of inertia J_A of the entire axis is calculated as follows:

$$J_A = J_0 + J_H \times \text{working stroke [m]} + J_L \times m_{\text{working load [kg]}}$$

Toothed belt axes DGE-ZR-HD, with heavy-duty guide

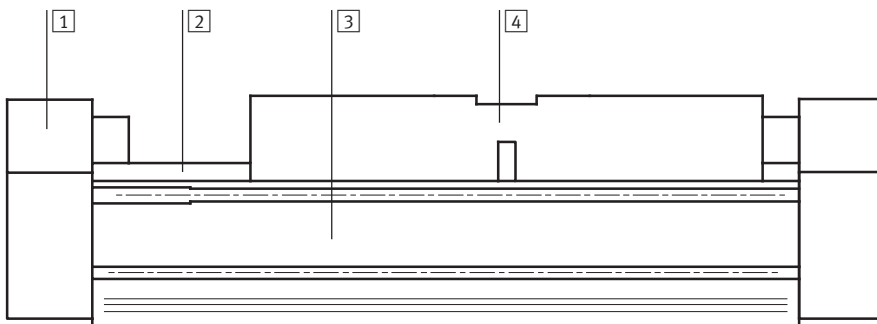
Technical data

Toothed belt		18-HD18	25-HD25	25-HD40	40-HD40
Size					
Tensile stress ¹⁾	[%]	0.2	0.11	0.11	0.1
Pitch	[mm]	2	3	3	5
Effective radius; effective diameter	[mm]	16.55	20.05	20.05	31.83
Feed constant	[mm]	52	63	63	100

1) At max. feed force

Materials

Sectional view



Axis		
1	End cap	Anodised aluminium
2	Guide	Rolled steel
3	Profile	Anodised aluminium
4	Slide	Anodised aluminium

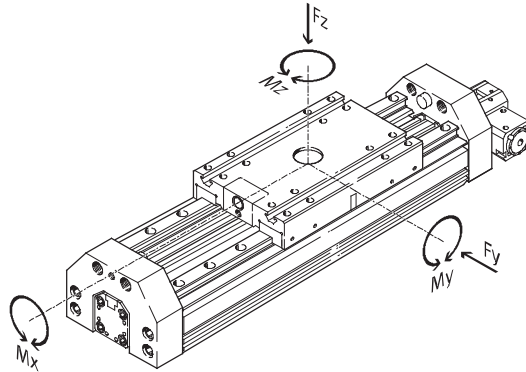
Toothed belt axes DGE-ZR-HD, with heavy-duty guide

Technical data

Characteristic load values

The indicated forces and torques refer to the centre of the heavy-duty guide.

They must not be exceeded in the dynamic range. Special attention must be paid to the cushioning phase.



If the drive is subjected to more than two of the indicated forces and torques simultaneously, the following equations must be satisfied in addition to the indicated maximum loads.

$$\frac{F_y}{F_{y_{max}}} + \frac{F_z}{F_{z_{max}}} + \frac{M_x}{M_{x_{max}}} + \frac{M_y}{M_{y_{max}}} + \frac{M_z}{M_{z_{max}}} \leq 1$$

Permissible forces and torques					
Size		18-HD18	25-HD25	25-HD40	40-HD40
F _y _{max.}	[N]	1820	5400	5400	5400
F _z _{max.}	[N]	1820	5600	5600	5600
M _x _{max.}	[Nm]	70	260	375	375
M _y _{max.}	[Nm]	115	415	560	560
M _z _{max.}	[Nm]	112	400	540	540

Note

Sizing software
PositioningDrives
→ www.festo.com

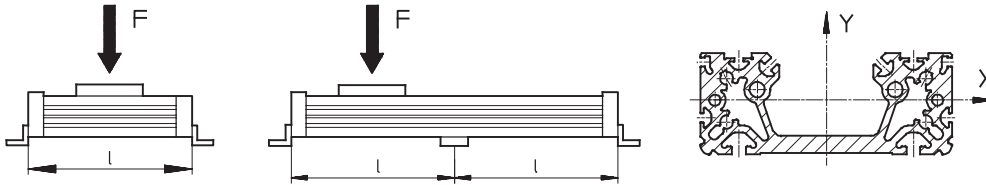
Toothed belt axes DGE-ZR-HD, with heavy-duty guide

Technical data

Maximum permissible support span l as a function of the force F

The axis may need to be supported with central supports MUP in order to restrict deflection with long stroke lengths. The following diagrams serve to determine the maximum permissible support span l as a function of the force acting upon the axis F .

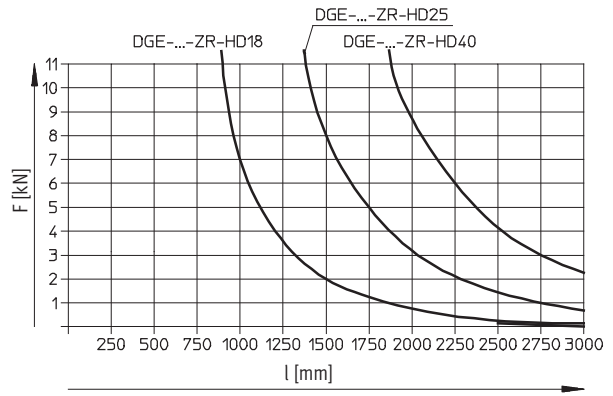
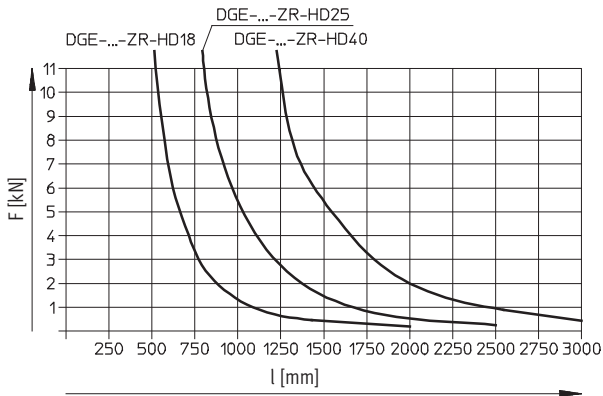
Force on the surface of the slide



Maximum permissible support span l (without central support) as a function of the force F

Deflection around the X axis

Deflection around the Y axis

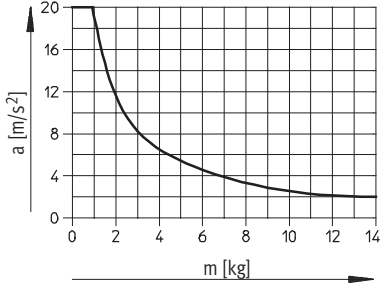


Toothed belt axes DGE-ZR-HD, with heavy-duty guide

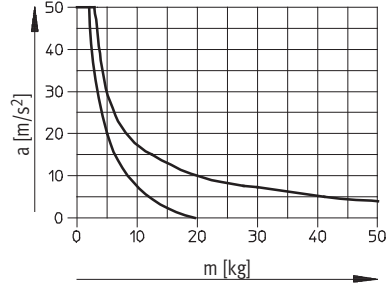
Technical data

Maximum permissible acceleration a as a function of the effective load m

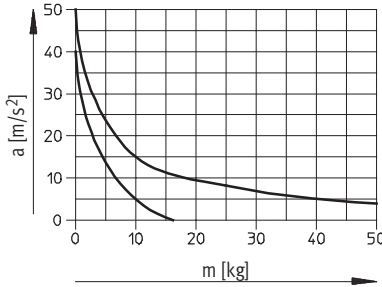
DGE-18-...-ZR-HD18



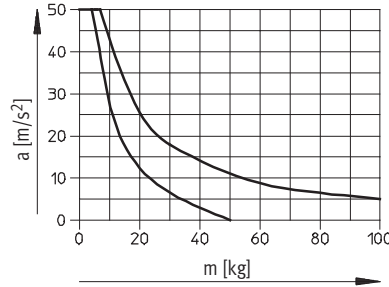
DGE-25-...-ZR-HD25



DGE-25-...-ZR-HD40



DGE-40-...-ZR-HD40



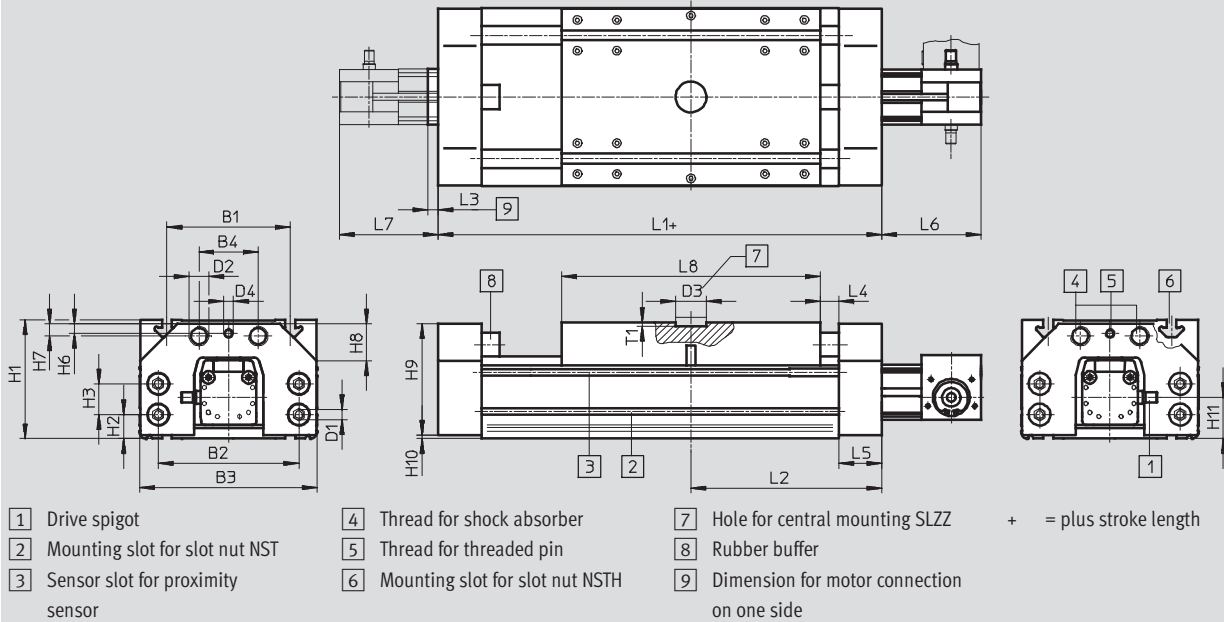
- - - vertical
 — horizontal

Toothed belt axes DGE-ZR-HD, with heavy-duty guide

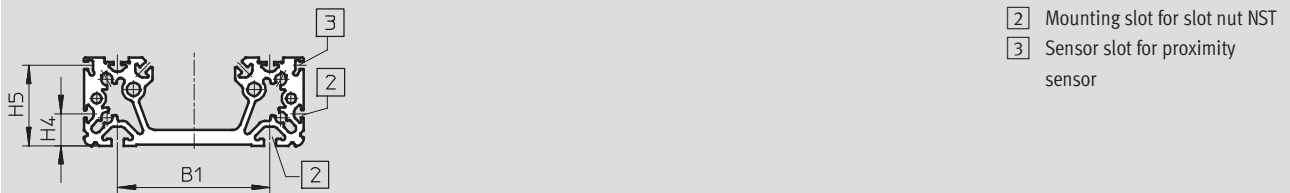
Technical data

Dimensions

Download CAD Data → www.festo.com/us/cad



Profile



Size	B1	B2	B3	B4	D1	D2	D3	D4	H1	H2	H3	H4	H5	H6
			±0,2				∅ G7							
18-HD-18	80	85	116	40	M5	M12x1	25	M6	70	12.8	19.5±0,1	14	42.3	5.9
25-HD-25	100	114	144	48	M8	M16x1	25	M8	93.5	18.5	25±0,2	21	52.8	9
25-HD-40	140	156	185	54	M8	M22x1.5	25	M8	124.5	21	48±0,2	35	82.8	5.5
40-HD-40	140	156	185	54	M8	M22x1.5	25	M8	124.5	21	48±0,2	35	82.8	5.5

Size	H7	H8	H9	H10	H11	L1	L2	L3	L4	L5	L6	L7	L8	T1
18-HD-18	8.7	20x45°	68	0.8	24.9	240	120	–	15	25	70	59	160	3.5
25-HD-25	9.8	30x45°	90	2	28.9	310	155	–	15	35	80	61	210	3.5
25-HD-40	15.5	35x45°	120	2	54.9	354	177	–	15	32	82	63	260	4
40-HD-40	15.5	35x45°	120	2	42.5	354	177	15	15	32	109	82	260	4

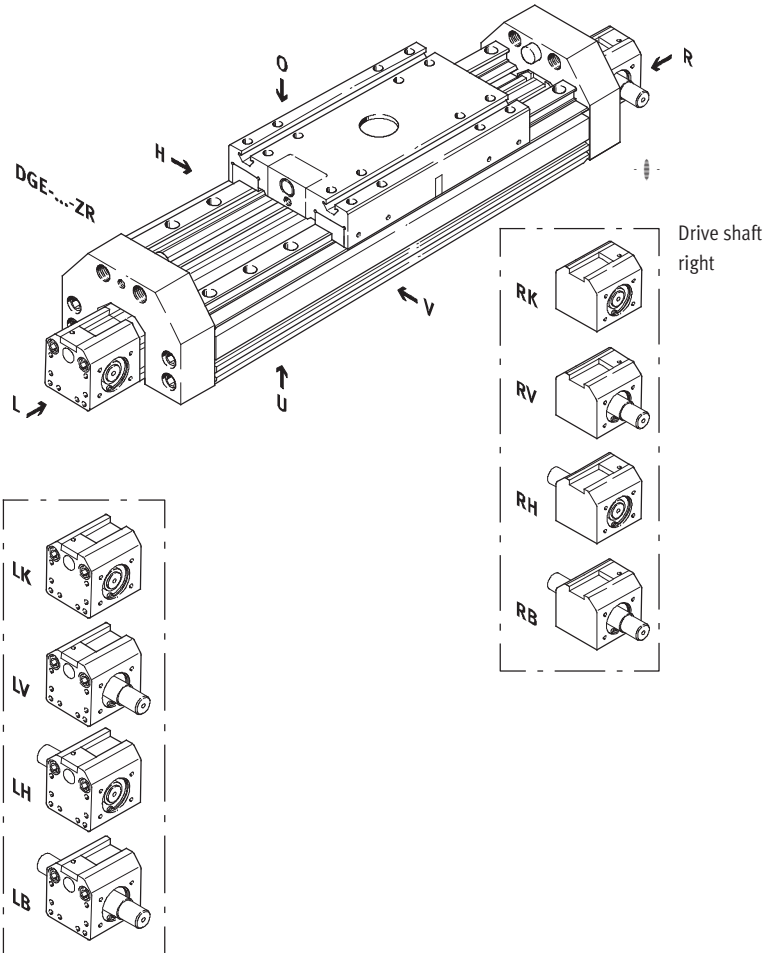
Toothed belt axes DGE-ZR-HD, with heavy-duty guide

Ordering data – Modular products

Order code

Mandatory data

- LK No drive shaft on left
- LV Drive shaft on left, front
- LH Drive shaft on left, rear
- LB Drive shaft on left, front and rear
- RK No drive shaft on right
- RV Drive shaft on right, front
- RH Drive shaft on right, rear
- RB Drive shaft on right, front and rear



Note

The insertion point for the proximity sensor is located on the right side of the heavy-duty guide.

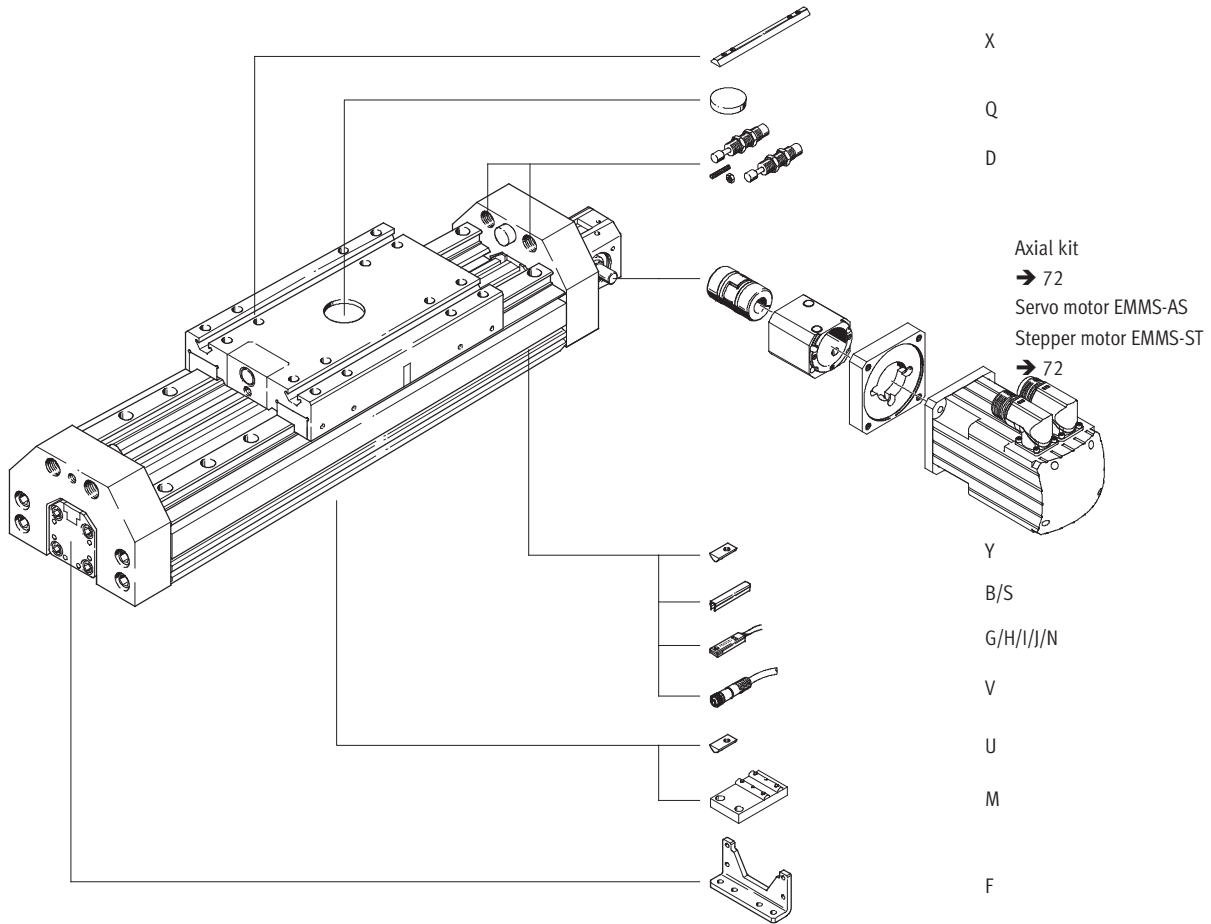
O top
 U underneath
 R right
 L left
 V front
 H rear

Toothed belt axes DGE-ZR-HD, with heavy-duty guide

Ordering data – Modular products

Order code

Options



Toothed belt axes DGE-ZR-HD, with heavy-duty guide

Ordering data – Modular products

M Mandatory data							O Options →	
Module No.	Design	Size	Stroke	Drive function	Drive shaft on left	Drive shaft on right	Guide	Slide
193 741 193 742 193 743	DGE	18 25 40	1 ... 2000	ZR	LK LV LH LB	RK RV RH RB	HD18 HD25 HD40	GK
Ordering example								
193 742	DGE	- 25	- 800	- ZR	- LK	- RV	- HD40	- GK

Ordering table							
Size	18	25	40	Conditions	Code	Enter code	
M Module No.	193 741	193 742	193 743				
Design	Electromechanical linear axis				DGE		DGE
Size	18	25	40		-...		
Stroke [mm]	1 ... 1000	1 ... 2000	1 ... 2000		-...		
Drive function	Electromechanical drive with toothed belt				-ZR		-ZR
Drive shaft on left	No drive shaft on left			1	-LK		
	Drive shaft on left, front				-LV		
	Drive shaft on left, rear				-LH		
	Drive shaft on left, front and rear				-LB		
Drive shaft on right	No drive shaft on right			2	-RK		
	Drive shaft on right, front				-RV		
	Drive shaft on right, rear				-RH		
	Drive shaft on right, front and rear				-RB		
O Guide	Heavy-duty guide HD18		-		-HD18		-HD...
	-	Heavy-duty guide HD25		-	-HD25		
	-	Heavy-duty guide HD40		Heavy-duty guide HD40	-HD40		
Slide	Standard				-GK		-GK

1 LK Not with drive shaft on right RK.

2 RK Not with drive shaft on left LK.

Transfer order code

	DGE	-		-		-	ZR	-		-		-	HD...	-	GK
--	-----	---	--	---	--	---	----	---	--	---	--	---	-------	---	----

Toothed belt axes DGE-ZR-HD, with heavy-duty guide

Ordering data – Modular products

Options								
Accessories	Slot cover	Slot nut	Central support	Foot mounting	Shock absorber	Central mounting	Proximity sensor	Plug socket
ZUB	...S ...B	...Y ...X ...U	...M	...F	...D	...Q	...G ...H ...I ...J ...N	...V
ZUB	2S2B	10U		F		2Q	2H	2V

Ordering table							
Size	18	25	40	Conditions	Code	Enter code	
Accessories	Supplied separately				ZUB-		ZUB-
Slot cover	Sensor slot	1 ... 10			...S		
	Mounting slot	1 ... 10			...B		
Slot nut	for mounting slot	1 ... 10			...Y		
	for slide	1 ... 10			...X		
	for HD underneath	1 ... 10			...U		
Central support	1 ... 10				...M		
Foot mounting (kit)	1 ... 10				...F		
Shock absorber Kit for HD	1 ... 2				...D		
Central mounting	1 ... 10				...Q		
Proximity sensor	with cable 2.5 m	1 ... 10			...G		
	with plug	1 ... 10			...H		
	contactless with cable 2.5 m	1 ... 10			...I		
	contactless, plug	1 ... 10			...J		
	NC contact with cable 2.5 m	1 ... 10			...N		
Cable with socket 2.5 m	1 ... 10				...V		

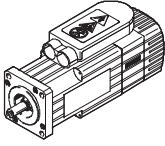
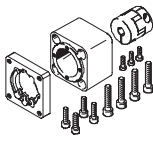


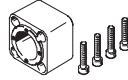
Transfer order code

ZUB -

Toothed belt axes DGE

Accessories

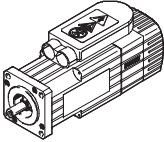
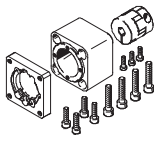


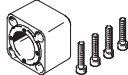
FESTO

Permissible axis/motor combinations with axial kit – Without gear unit					Technical data → Internet: eamm-a
Motor	Axial kit	Axial kit consisting of:			
		Motor flange	Coupling	Coupling housing	
					
Type	Part No. Type	Part No. Type	Part No. Type	Part No. Type	
DGE-8-...-ZR					
With servo motor					
EMMS-AS-40-...	550 921 EAMM-A-G13-40A	540 301 EAMF-A-28A/30A-40A	540 750 EAMC-15-22-4-6	171 186 EAMK-A-G13-28A	
With stepper motor					
EMMS-ST-42-...	550 922 EAMM-A-G13-42A	530 080 EAMF-A-28A-42A	530 084 EAMC-15-22-4-5	171 186 EAMK-A-G13-28A	
DGE-12-...-ZR					
With servo motor					
EMMS-AS-40-...	550 923 EAMM-A-G16-40A	540 301 EAMF-A-28A/30A-40A	540 750 EAMC-15-22-4-6	171 185 EAMK-A-G16-30A	
EMMS-AS-55-...	550 925 EAMM-A-G16-55A	534 807 EAMF-A-30A-55A	184 262 EAMC-15-22-4-9	171 185 EAMK-A-G16-30A	
With stepper motor					
EMMS-ST-42-...	550 924 EAMM-A-G16-42A	530 079 EAMF-A-30A-42A	530 084 EAMC-15-22-4-5	171 185 EAMK-A-G16-30A	
DGE-18-...-ZR					
With servo motor					
EMMS-AS-40-...	550 926 EAMM-A-G19-40A	550 985 EAMF-A-44A/B-40A	184 265 EAMC-19-24-6-6	170 375 EAMK-A-G19-44B	
EMMS-AS-55-...	550 927 EAMM-A-G19-55A	529 942 EAMF-A-44A/B-55A	184 263 EAMC-19-24-6-9	170 375 EAMK-A-G19-44B	
With stepper motor					
EMMS-ST-57-...	550 928 EAMM-A-G19-57A	530 081 EAMF-A-44A/B-57A	530 086 EAMC-19-24-6-6.35	170 375 EAMK-A-G19-44B	
DGE-25-...-ZR					
With servo motor					
EMMS-AS-55-...	550 929 EAMM-A-F30-55A	529 942 EAMF-A-44A/B-55A	557 390 EAMC-30-35-8-9	124 628 EAMK-A-F30-44A	
EMMS-AS-70-...	550 932 EAMM-A-F30-70A	529 943 EAMF-A-44A/B-70A	123 042 EAMC-30-35-8-11	124 628 EAMK-A-F30-44A	
With stepper motor					
EMMS-ST-57-...	550 930 EAMM-A-F30-57A	530 081 EAMF-A-44A/B-57A	530 088 EAMC-30-35-6.35-8	124 628 EAMK-A-F30-44A	
EMMS-ST-87-...	550 933 EAMM-A-F30-87A	530 082 EAMF-A-44A/B-87A	123 042 EAMC-30-35-8-11	124 628 EAMK-A-F30-44A	

Toothed belt axes DGE

Accessories

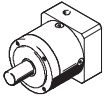
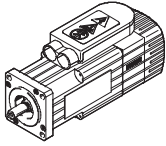
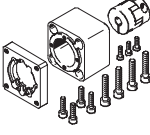
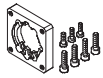

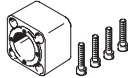
FESTO

Permissible axis/motor combinations with axial kit – Without gear unit				Technical data → Internet: eamm-a
Motor	Axial kit	Axial kit consisting of:		
		Motor flange	Coupling	Coupling housing
				
Type	Part No. Type	Part No. Type	Part No. Type	Part No. Type
DGE-25-...-ZR-RF				
With servo motor				
EMMS-AS-55-...	550 942 EAMM-A-F37-55A	529 942 EAMF-A-44A/B-55A	557 390 EAMC-30-35-8-9	534 394 EAMK-A-F37-44A
EMMS-AS-70-...	550 945 EAMM-A-F37-70A	529 943 EAMF-A-44A/B-70A	123 042 EAMC-30-35-8-11	534 394 EAMK-A-F37-44A
With stepper motor				
EMMS-ST-57-...	550 943 EAMM-A-F37-57A	530 081 EAMF-A-44A/B-57A	530 088 EAMC-30-35-6.35-8	534 394 EAMK-A-F37-44A
EMMS-ST-87-...	550 946 EAMM-A-F37-87A	530 082 EAMF-A-44A/B-87A	123 042 EAMC-30-35-8-11	534 394 EAMK-A-F37-44A
DGE-40-...-ZR				
With servo motor				
EMMS-AS-70-...	550 934 EAMM-A-F40-70A	529 945 EAMF-A-64A/B-70A	550 998 EAMC-40-66-11-15	124 629 EAMK-A-F40-64A
EMMS-AS-100-...	550 937 EAMM-A-F40-100A	529 947 EAMF-A-64A/C/D-100A	123 844 EAMC-40-66-15-19	124 629 EAMK-A-F40-64A
With stepper motor				
EMMS-ST-87-...	550 936 EAMM-A-F40-87A	533 140 EAMF-A-64A/B-87A	550 998 EAMC-40-66-11-15	124 629 EAMK-A-F40-64A
DGE-40-...-ZR-RF				
With servo motor				
EMMS-AS-100-...	550 949 EAMM-A-F47-100A	529 947 EAMF-A-64A/C/D-100A	123 844 EAMC-40-66-15-19	534 395 EAMK-A-F47-64A
EMMS-AS-140-...	550 950 EAMM-A-F47-140A	550 988 EAMF-A-64A-140A	176 033 EAMC-40-66-15-24	534 395 EAMK-A-F47-64A
With stepper motor				
EMMS-ST-87-...	550 948 EAMM-A-F47-87A	533 140 EAMF-A-64A/B-87A	550 998 EAMC-40-66-11-15	534 395 EAMK-A-F47-64A
DGE-63-...-ZR				
With servo motor				
EMMS-AS-100-...	550 939 EAMM-A-F62-100A	529 949 EAMF-A-118C-100A	551 000 EAMC-65-90-19-25	124 630 EAMK-A-F62-118A/B/C
EMMS-AS-140-...	550 941 EAMM-A-F62-140A	550 991 EAMF-A-118B-140A	123 852 EAMC-65-90-24-25	124 630 EAMK-A-F62-118A/B/C
DGE-63-...-ZR-RF				
With servo motor				
EMMS-AS-100-...	550 952 EAMM-A-F80-100A	529 949 EAMF-A-118C-100A	551 000 EAMC-65-90-19-25	534 396 EAMK-A-F80-118A/B/C
EMMS-AS-140-...	550 954 EAMM-A-F80-140A	550 991 EAMF-A-118B-140A	123 852 EAMC-65-90-24-25	534 396 EAMK-A-F80-118A/B/C

Toothed belt axes DGE

Accessories

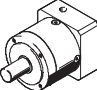
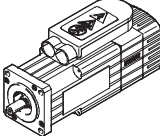
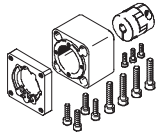
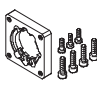

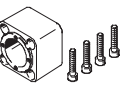
FESTO

Permissible axis/motor combinations with axial kit – With gear unit						Technical data → Internet: eamm-a
Gear unit	Motor	Axial kit	Axial kit consisting of:			
			Motor flange	Coupling	Coupling housing	
						
Type	Type	Part No. Type	Part No. Type	Part No. Type	Part No. Type	
DGE-25-...-ZR						
With servo motor						
EMGA-60-P-G...-SAS-55	EMMS-AS-55-...	550 931 EAMM-A-F30-60G	529 944 EAMF-A-44A/B-60G	123 042 EAMC-30-35-8-11	124 628 EAMK-A-F30-44A	
With stepper motor						
EMGA-60-P-G...-SST-57	EMMS-ST-57-...	550 931 EAMM-A-F30-60G	529 944 EAMF-A-44A/B-60G	123 042 EAMC-30-35-8-11	124 628 EAMK-A-F30-44A	
DGE-25-...-ZR-RF						
With servo motor						
EMGA-60-P-G...-SAS-55	EMMS-AS-55-...	550 944 EAMM-A-F37-60G	529 944 EAMF-A-44A/B-60G	123 042 EAMC-30-35-8-11	534 394 EAMK-A-F37-44A	
With stepper motor						
EMGA-60-P-G...-SST-57	EMMS-ST-57-...	550 944 EAMM-A-F37-60G	529 944 EAMF-A-44A/B-60G	123 042 EAMC-30-35-8-11	534 394 EAMK-A-F37-44A	
DGE-40-...-ZR						
With servo motor						
EMGA-80-P-G...-SAS-100	EMMS-AS-100-...	550 935 EAMM-A-F40-80G	533 139 EAMF-A-64A/C-80G	123 845 EAMC-40-66-15-20	124 629 EAMK-A-F40-64A	
With stepper motor						
EMGA-80-P-G...-SST-87	EMMS-ST-87-...	550 935 EAMM-A-F40-80G	533 139 EAMF-A-64A/C-80G	123 845 EAMC-40-66-15-20	124 629 EAMK-A-F40-64A	
DGE-40-...-ZR-RF						
With servo motor						
EMGA-80-P-G...-SAS-100	EMMS-AS-100-...	550 947 EAMM-A-F47-80G	533 139 EAMF-A-64A/C-80G	123 845 EAMC-40-66-15-20	534 395 EAMK-A-F47-64A	
With stepper motor						
EMGA-80-P-G...-SST-87	EMMS-ST-87-...	550 947 EAMM-A-F47-80G	533 139 EAMF-A-64A/C-80G	123 845 EAMC-40-66-15-20	534 395 EAMK-A-F47-64A	

Toothed belt axes DGE

Accessories

FESTO

Permissible axis/motor combinations with axial kit – With gear unit						Technical data → Internet: eamm-a
Gear unit	Motor	Axial kit	Axial kit consisting of:			
			Motor flange	Coupling	Coupling housing	
						
Type	Type	Part No. Type	Part No. Type	Part No. Type	Part No. Type	
DGE-63-...-ZR						
With servo motor						
EMGA-120-P-G...-SAS-100	EMMS-AS-100-...	550 940 EAMM-A-F62-120G	550 990 EAMF-A-118A-120G	123 853 EAMC-65-90-25-25	124 630 EAMK-A-F62-118A/B/C	
EMGA-120-P-G...-SAS-140	EMMS-AS-140-...	550 940 EAMM-A-F62-120G	550 990 EAMF-A-118A-120G	123 853 EAMC-65-90-25-25	124 630 EAMK-A-F62-118A/B/C	
With stepper motor						
EMGA-80-P-G...-SST-87	EMMS-ST-87-...	550 938 EAMM-A-F62-80G	550 989 EAMF-A-118A-80G	176 035 EAMC-65-90-20-25	124 630 EAMK-A-F62-118A/B/C	
DGE-63-...-ZR-RF						
With servo motor						
EMGA-80-P-G...-SAS-100	EMMS-AS-100-...	550 951 EAMM-A-F80-80G	550 989 EAMF-A-118A-80G	176 035 EAMC-65-90-20-25	534 396 EAMK-A-F80-118A/B/C	
EMGA-120-P-G...-SAS-140	EMMS-AS-140-S-...	550 953 EAMM-A-F80-120G	550 990 EAMF-A-118A-120G	123 853 EAMC-65-90-25-25	534 396 EAMK-A-F80-118A/B/C	
EMGA-160-P-G...-SAS-140	EMMS-AS-140-M-...	550 955 EAMM-A-F80-160G	550 992 EAMF-A-118A-160G	551 001 EAMC-65-90-25-40	534 396 EAMK-A-F80-118A/B/C	
With stepper motor						
EMGA-80-P-G...-SST-87	EMMS-ST-87-...	550 951 EAMM-A-F80-80G	550 989 EAMF-A-118A-80G	176 035 EAMC-65-90-20-25	534 396 EAMK-A-F80-118A/B/C	

Toothed belt axes DGE

Accessories

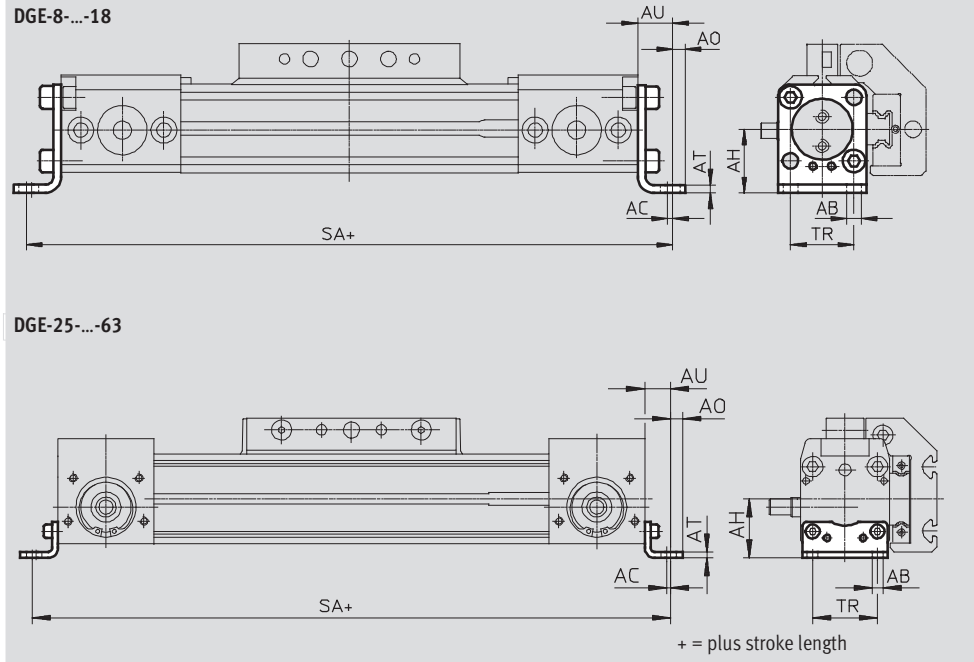


Foot mounting HP
(order code F)

Material:
Galvanised steel
Free of copper, PTFE and silicone



HP-25



Dimensions and ordering data

For size	AB ∅	AC	AH	AO	AT	AU	TR
8	3.4	1.5	13.8	3	2	9	13
12	3.4	1.5	16.5	3	2	9	18.6
18	5.5	2	24	4.8	3	13.3	24
25	5.5	2	29.5	6	3	13	32.5
40	6.6	2	46	8.5	5	17.5	45
63	11	3	69	13.5	6	28	75

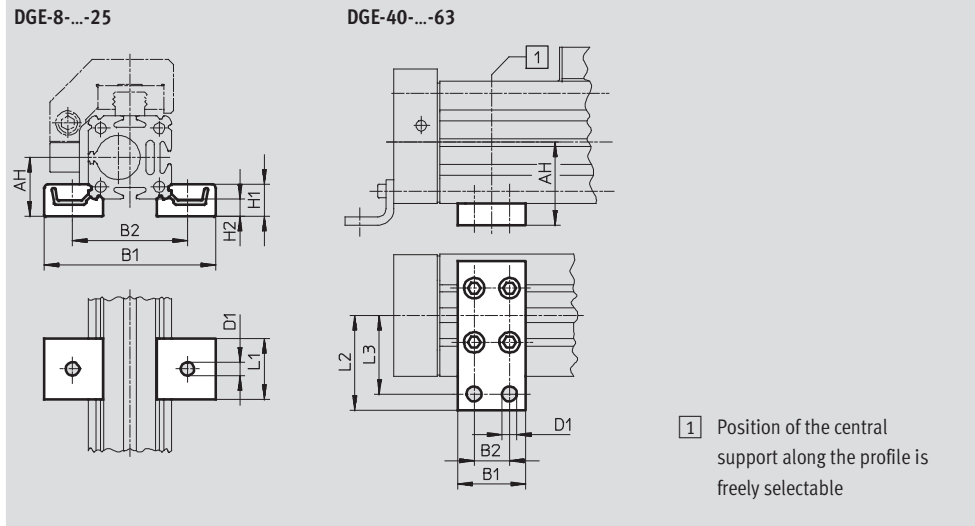
For size	SA				Weight [g]	Part No.	Type
	For DGE-ZR/DGE-ZR-KF		For DGE-ZR-RF				
	GK	GV	GK	GV			
8	198	-	-	-	17	158 470	HP-8
12	234	-	-	-	23	158 471	HP-12
18	308.6	388.6	-	-	70	158 472	HP-18
25	398	498	440	535	61	150 731	HP-25
40	604	774	673	813	188	150 733	HP-40
63	938	1188	1 076	1 306	305	150 735	HP-63

Toothed belt axes DGE

Accessories

Central support MUP
(order code M)

Material:
Galvanised steel
Free of copper, PTFE and silicone



Dimensions and ordering data												
For size	AH	B1	B2	D1 Ø	H1	H2	L1	L2	L3	Weight [g]	Part No.	Type
8	13.8	40.5	28.5	3.5	8	4	15	-	-	8	160 909	MUP-8/12
12	16.5	46	34	3.5	8	4	15	-	-	8	160 909	MUP-8/12
18	24	70.5	47	5.5	13	7	25	-	-	33	150 736	MUP-18/25
25	29.5	81	58	5.5	13	7	25	-	-	33	150 736	MUP-18/25
40	46	35	22	6.6	-	-	-	47	40	126	150 738	MUP-40
63	69	50	26	11	-	-	-	77	65	340	150 800	MUP-63

Toothed belt axes DGE

Accessories



Foot mounting HHP

for heavy-duty guide

(order code F)

Material:

Galvanised steel



Central support MUP

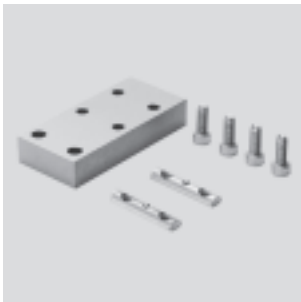
for heavy-duty guide

(order code M)

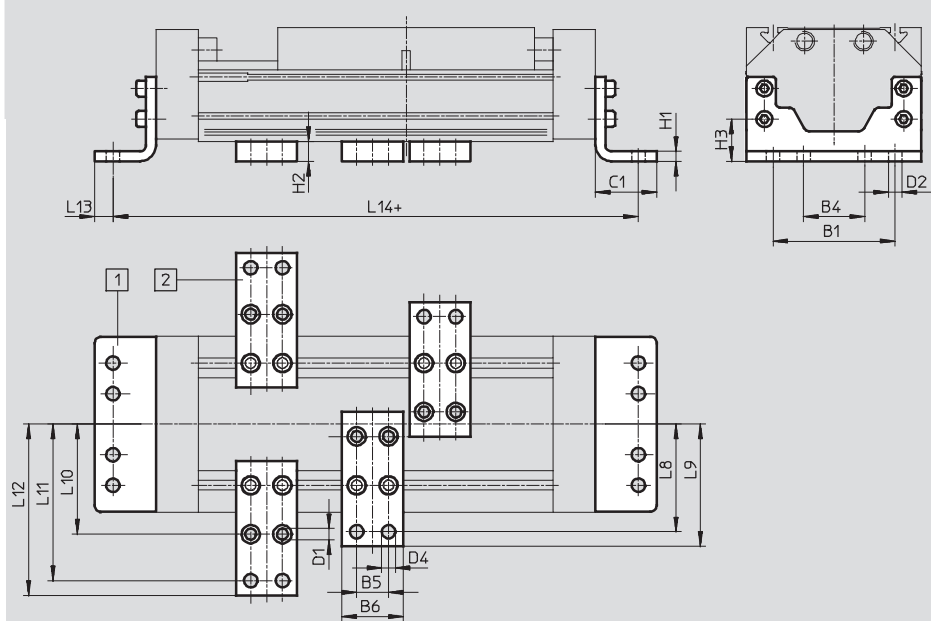
Material:

Galvanised steel

Free of copper, PTFE and silicone



DGE...-HD18/-HD25/-HD40



- 1 Foot mounting HHP
- 2 Central support MUP

+ = plus stroke length

Dimensions and ordering data											
For heavy-duty guide	B1	B4	B5	B6	C1	D1	D2	D4	H1	H2	H3
HD18	80	40	22	35	34	5.5	6.6	6.6	8	14	26.8
HD25	100	50	26	50	50	9	11	11	8	16	34.5
HD40	140	70	26	50	50	9	11	11	10	16	37

For heavy-duty guide	L8	L9	L10	L11	L12	L13	L14	Weight	Part No.	Type
								[g]		
HD18	68	75	64	92	99	9	290	357	161 993	HHP-18
								126	150 738	MUP-40
HD25	88	100	90	128	140	15	380	794	161 994	HHP-25
								347	150 739	MUP-50
HD40	108	120	110	148	160	15	424	1,318	161 995	HHP-40
								347	150 739	MUP-50

Toothed belt axes DGE

Accessories

Shock absorber YSR-...-C (order code C)

Materials:
Housing: Galvanised steel; piston rod:
High-alloy steel
Seals: NBR, PUR
Free of copper, PTFE and silicone



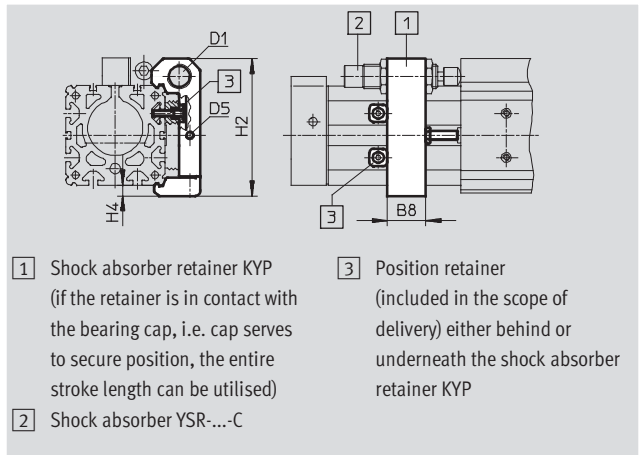
Note

Shock absorber YSRW with progressive characteristics
→ Internet: ysrw

Ordering data			
For size	Weight [g]	Part No.	Type
8	9	158 981	YSR-5-5-C
12	9	158 981	YSR-5-5-C
18	30	34 571	YSR-8-8-C
25	70	34 572	YSR-12-12-C
40	140	34 573	YSR-16-20-C
63	240	34 574	YSR-20-25-C

Shock absorber retainer KYP (order code C)

Materials:
Retainer: Aluminium
Sleeve: Corrosion-resistant steel



Dimensions and ordering data							
For size	B8	D1	D5	H2	H4	Weight [g]	Part No. Type
8	8	M8x1	M3	31.5	3	36	158 905 KYP-8
12	11	M8x1	M4	37	3	44	158 906 KYP-12
18	14	M12x1	M4	50.5	4.5	66	158 907 KYP-18
25	19	M16x1	M5	69.5	6	95	158 908 KYP-25
40	32	M22x1.5	M5	102	8	209	158 910 KYP-40
63	44	M26x1.5	M10	152.5	11.5	609	158 912 KYP-63

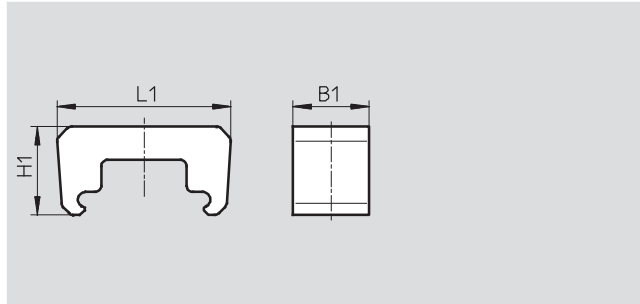
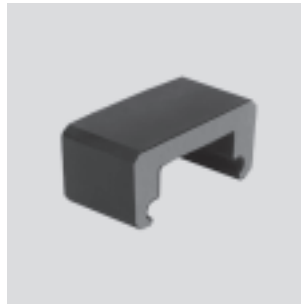
Toothed belt axes DGE

Accessories

FESTO

Emergency buffer NPE (order code A)

Material:
PUR



Dimensions and ordering data						
For size	B1	L1	H1	Weight [g]	Part No.	Type
18	15	43.1	28.5	6	193 901	NPE-18
25	25	57	29	12	193 902	NPE-25
40	40	80.5	36	41	193 904	NPE-40
63	60	128.6	55	152	193 906	NPE-63

Note

The emergency buffer can only be used in combination with shock absorber retainer KYP. → 79
(A threaded stud and nut are not required.)

Shock absorber DG-GA for protected version GA (order code E)

Materials:
Housing: Galvanised steel; piston rod:
High-alloy steel
Seals: NBR, PUR
Free of copper, PTFE and silicone



Ordering data			
For size	Weight [g]	Part No.	Type
25	70	192 875	DG-GA-25-YSR
40	140	192 877	DG-GA-40-YSR

Toothed belt axes DGE

Accessories

Shock absorber kit YHD
for heavy-duty guide
(order code D)

Materials:
Housing: Galvanised steel
Seals: TPE-U(PU), NBR
Free of copper, PTFE and silicone



Ordering data			
For heavy-duty guide	Weight	Part No.	Type
	[g]		
HD18	203	174 544	YHD-18
HD25	293	174 545	YHD-25
HD40	515	174 546	YHD-40

Toothed belt axes DGE

Accessories



Sensor bracket HWS

for inductive proximity sensors

(order code T)

Material:

Galvanised steel



Switch lug SF

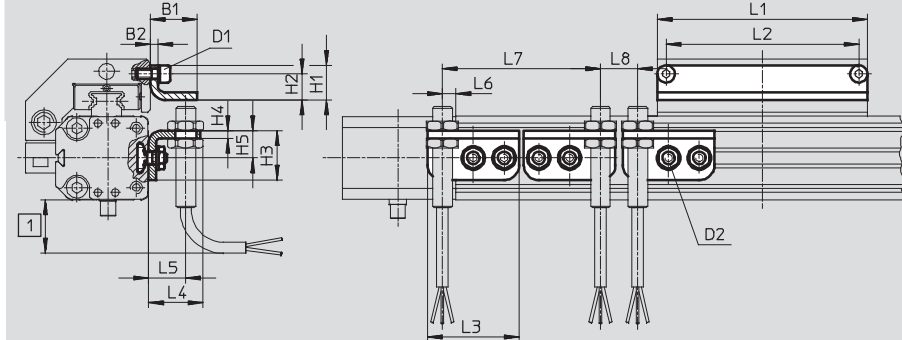
(order code L)

Material:

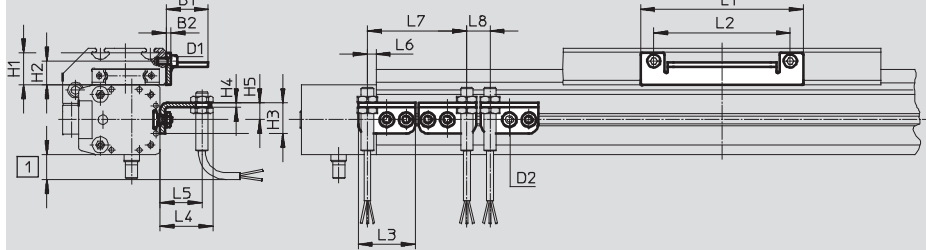
Galvanised steel



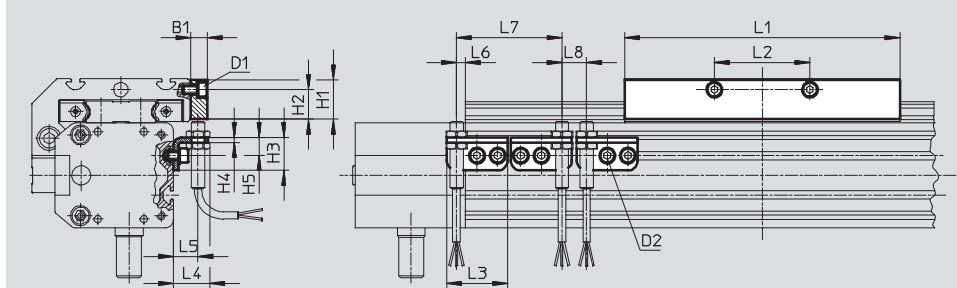
DGE-18-...-ZR-KF-...



DGE-25-...-ZR-KF-...



DGE-40/-63-...-ZR-KF-...



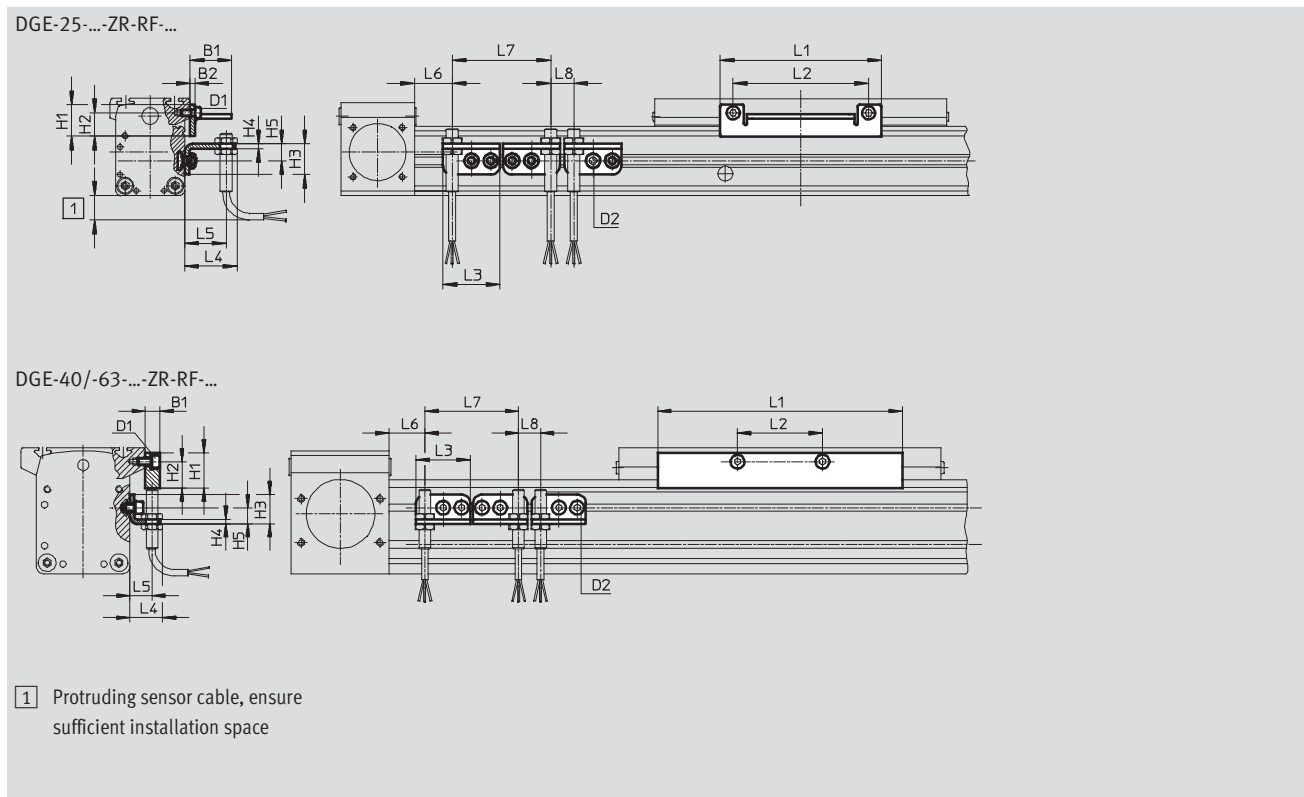
1 Protruding sensor cable, ensure sufficient installation space

Note

Cannot be used in combination with the variant DGE-...-GA (protected version).

Toothed belt axes DGE

Accessories




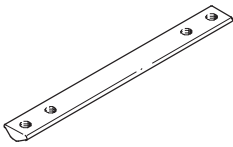


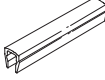
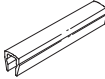
Dimensions and ordering data														
For size	D1	D2	B1	B2	H1	H2	H3	H4	H5	L1	L2	L3	L4	L5
18	M4	M5	19	3	14	10.5	20	3	11	85	78	37	22.5	15
25	M5	M5	27	3	20.5	15.3	20	3	11	105	88	37	34.5	27
40	M5	M5	10	-	24	18	20	3	11	167	58	37	22.5	15
63	M8	M5	10	-	35	25	20	3	11	230	72	37	22.5	15

For size	L6			L7 min.	L8 min.	Weight [g]	Part No.	Type
	DGE-ZR-KF max.	DGE-ZR-RF GK	GV					
18	5.5	-	-	64	15	30	188 968	HWS-18/25-M8
						60	188 964	SF-18
25	5.5	43.5	91	64	15	30	540 780	HWS-25-MAB-M8
						80	540 430	SF-25-MAB
40	5.5	68.5	138.5	64	15	40	188 969	HWS-40-M8
						310	188 966	SF-40
63	5.5	117	232	64	15	40	188 970	HWS-63-M8
						630	188 967	SF-63

Toothed belt axes DGE

Accessories

FESTO

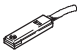
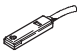
Ordering data				Technical data → Internet: mounting attachment		
	For size	Comment	Order code	Part No.	Type	PU ¹⁾
Slot nut NST						
	18, 25	For mounting slot/profile slot	Y	526 091	NST-HMV-M4	1
	40			150 914	NST-5-M5	1
	63			150 915	NST-8-M6	1
	HD18, HD25	For heavy-duty guide: mounting slot	Y	150 914	NST-5-M5	1
	HD40			150 915	NST-8-M6	1
	HD18	For heavy-duty guide: HD underneath	U	150 914	NST-5-M5	1
	HD25, HD40			150 915	NST-8-M6	1
Slot nut NSTL						
	25	For slide	X	158 410	NSTL-25	1
	40			158 412	NSTL-40	1
	63			158 414	NSTL-63	1
	HD18	For heavy-duty guide: slide	X	161 020	NSTH-18	1
	HD25			161 021	NSTH-25	1
	HD40			161 022	NSTH-40	1
Centring pin/sleeve ZBS/ZBH						
	8 ... 18	For slide	Z	150 928	ZBS-5	10
	25 ... 63			150 927	ZBH-9	10
Central mounting SLZZ						
	HD18	For heavy-duty guide: slide	Q	150 901	SLZZ-25/16	1
	HD25					
	HD40					
Slot cover ABP						
	40	For mounting slot every 0.5 m	B	151 681	ABP-5	2
	63			151 682	ABP-8	
	HD18, HD25	For mounting slot on the side and underneath, each 0.5 m		151 681	ABP-5	
	HD40			151 682	ABP-8	
Slot cover ABP-S						
	8 ... 63	For sensor slot every 0.5 m	S	151 680	ABP-5-S	2
	25	For mounting slot for DGE-ZR-RF	B			

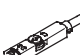

1) Packaging unit



Toothed belt axes DGE



Accessories

FESTO

Ordering data – Proximity sensors for T-slot, magnetic reed						Technical data → Internet: sme	
	Type of mounting	Switching output	Electrical connection	Cable length [m]	Part No.	Type	
N/O contact							
	Insertable in the slot lengthwise, flush with the cylinder profile	Contacting	Cable, 3-wire	2.5	150 855	SME-8-K-LED-24	
			Plug M8x1, 3-pin	0.3	150 857	SME-8-S-LED-24	
N/C contact							
	Insertable in the slot lengthwise, flush with the cylinder profile	Contacting	Cable, 3-wire	7.5	160 251	SME-8-O-K-LED-24	

Ordering data – Proximity sensors for T-slot, magneto-resistive						Technical data → Internet: smt	
	Type of mounting	Switch output	Electrical connection	Cable length [m]	Part No.	Type	
N/O contact							
	Insertable in the slot from above, flush with cylinder profile, short design	PNP	Cable, 3-wire	2.5	574335	SMT-8M-A-PS-24V-E-2,5-OE	
			Plug M8x1, 3-pin	0.3	574334	SMT-8M-A-PS-24V-E-0,3-M8D	
N/C contact							
	Insertable in the slot from above, flush with cylinder profile, short design	PNP	Cable, 3-wire	7.5	574340	SMT-8M-A-PO-24V-E-7,5-OE	

Ordering data – Inductive proximity sensors M8						Technical data → Internet: sien	
	Electrical connection		Switching output	LED	Cable length [m]	Part No.	Type
	Cable	Plug M8					
N/O contact							
	3-wire	–	PNP	■	2.5	150 386	SIEN-M8B-PS-K-L
	–	3-pin	PNP	■	–	150 387	SIEN-M8B-PS-S-L
N/C contact							
	3-wire	–	PNP	■	2.5	150 390	SIEN-M8B-PO-K-L
	–	3-pin	PNP	■	–	150 391	SIEN-M8B-PO-S-L

Ordering data – Connecting cables					Technical data → Internet: nebu	
	Electrical connection, left	Electrical connection, right	Cable length [m]	Part No.	Type	
	Straight socket, M8x1, 3-pin	Cable, open end, 3-wire	2.5	541 333	NEBU-M8G3-K-2.5-LE3	
			5	541 334	NEBU-M8G3-K-5-LE3	
	Angled socket, M8x1, 3-pin	Cable, open end, 3-wire	2.5	541 338	NEBU-M8W3-K-2.5-LE3	
			5	541 341	NEBU-M8W3-K-5-LE3	

Product Range and Company Overview

A Complete Suite of Automation Services

Our experienced engineers provide complete support at every stage of your development process, including: conceptualization, analysis, engineering, design, assembly, documentation, validation, and production.



Custom Automation Components
Complete custom engineered solutions



Custom Control Cabinets
Comprehensive engineering support and on-site services



Complete Systems
Shipment, stocking and storage services

The Broadest Range of Automation Components

With a comprehensive line of more than 30,000 automation components, Festo is capable of solving the most complex automation requirements.



Electromechanical
Electromechanical actuators, motors, controllers & drives



Pneumatics
Pneumatic linear and rotary actuators, valves, and air supply



PLCs and I/O Devices
PLC's, operator interfaces, sensors and I/O devices

Supporting Advanced Automation... As No One Else Can!

Festo is a leading global manufacturer of pneumatic and electromechanical systems, components and controls for industrial automation, with more than 12,000 employees in 56 national headquarters serving more than 180 countries. For more than 80 years, Festo has continuously elevated the state of manufacturing with innovations and optimized motion control solutions that deliver higher performing, more profitable automated manufacturing and processing equipment. Our dedication to the advancement of automation extends beyond technology to the education and development of current and future automation and robotics designers with simulation tools, teaching programs, and on-site services.

Quality Assurance, ISO 9001 and ISO 14001 Certifications

Festo Corporation is committed to supply all Festo products and services that will meet or exceed our customers' requirements in product quality, delivery, customer service and satisfaction.

To meet this commitment, we strive to ensure a consistent, integrated, and systematic approach to management that will meet or exceed the requirements of the ISO 9001 standard for Quality Management and the ISO 14001 standard for Environmental Management.



© Copyright 2008, Festo Corporation. While every effort is made to ensure that all dimensions and specifications are correct, Festo cannot guarantee that publications are completely free of any error, in particular typing or printing errors. Accordingly, Festo cannot be held responsible for the same. For Liability and Warranty conditions, refer to our "Terms and Conditions of Sale", available from your local Festo office. All rights reserved. No part of this publication may be reproduced, distributed, or transmitted in any form or by any means, electronic, mechanical, photocopying or otherwise, without the prior written permission of Festo. All technical data subject to change according to technical update.



Printed on recycled paper at New Horizon Graphic, Inc., FSC certified as an environmentally friendly printing plant.

Festo North America

Festo Regional Contact Center

5300 Explorer Drive
Mississauga, Ontario L4W 5G4
Canada

USA Customers:

For ordering assistance,

Call: 1.800.99.FESTO (1.800.993.3786)

Fax: 1.800.96.FESTO (1.800.963.3786)

Email: customer.service@us.festo.com

For technical support,

Call: 1.866.GO.FESTO (1.866.463.3786)

Fax: 1.800.96.FESTO (1.800.963.3786)

Email: product.support@us.festo.com

Canadian Customers:

Call: 1.877.GO.FESTO (1.877.463.3786)

Fax: 1.877.FX.FESTO (1.877.393.3786)

Email: festo.canada@ca.festo.com

USA Headquarters

Festo Corporation
395 Moreland Road
P.O. Box 18023
Hauppauge, NY 11788, USA
www.festo.com/us

USA Sales Offices

Appleton

North 922 Tower View Drive, Suite N
Greenville, WI 54942, USA

Boston

120 Presidential Way, Suite 330
Woburn, MA 01801, USA

Chicago

1441 East Business Center Drive
Mt. Prospect, IL 60056, USA

Dallas

1825 Lakeway Drive, Suite 600
Lewisville, TX 75057, USA

Detroit – Automotive Engineering Center

2601 Cambridge Court, Suite 320
Auburn Hills, MI 48326, USA

New York

395 Moreland Road
Hauppauge, NY 11788, USA

Silicon Valley

4935 Southfront Road, Suite F
Livermore, CA 94550, USA

United States



USA Headquarters, East: Festo Corp., 395 Moreland Road, Hauppauge, NY 11788

Phone: 1.631.435.0800; Fax: 1.631.435.8026;

Email: info@festo-usa.com

www.festo.com/us

Canada



Headquarters: Festo Inc., 5300 Explorer Drive, Mississauga, Ontario L4W 5G4

Phone: 1.905.624.9000; Fax: 1.905.624.9001;

Email: festo.canada@ca.festo.com

www.festo.ca

Mexico



Headquarters: Festo Pneumatic, S.A., Av. Ceylán 3, Col. Tequesquahuac,
54020 Tlalneantla, Edo. de México

Phone: 011 52 [55] 53 21 66 00; Fax: 011 52 [55] 53 21 66 65;

Email: festo.mexico@mx.festo.com

www.festo.com/mx

Central USA

Festo Corporation
1441 East Business
Center Drive
Mt. Prospect, IL 60056, USA
Phone: 1.847.759.2600
Fax: 1.847.768.9480



Western USA

Festo Corporation
4935 Southfront Road,
Suite F
Livermore, CA 94550, USA
Phone: 1.925.371.1099
Fax: 1.925.245.1286



Festo Worldwide

Argentina Australia Austria Belarus Belgium Brazil Bulgaria Canada Chile China Colombia Croatia Czech Republic Denmark
Estonia Finland France Germany Great Britain Greece Hong Kong Hungary India Indonesia Iran Ireland Israel Italy Japan Latvia
Lithuania Malaysia Mexico Netherlands New Zealand Norway Peru Philippines Poland Romania Russia Serbia Singapore
Slovakia Slovenia South Africa South Korea Spain Sweden Switzerland Taiwan Thailand Turkey Ukraine United States Venezuela

www.festo.com