

# Limit switch attachments



# Limit switch attachments DAPZ

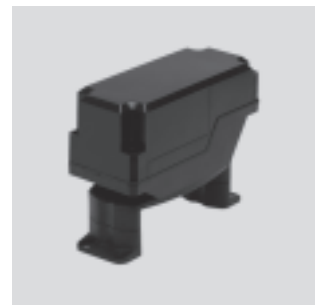
Type codes

		DAPZ	–	SB	–	M	–	250AC	–	EXS	–	RO
<b>Type</b>												
DAPZ	Limit switch attachment											
<b>Specification</b>												
SB	Sensor box											
<b>Measuring principle</b>												
I	Inductive											
M	Electrical, micro switch											
<b>Operating voltage</b>												
25DC	8 V DC											
30DC	30 V DC											
250AC	250 V AC/DC											
<b>Version</b>												
EX	Explosion-proof											
D	Display											
S	Square design											
R	Round design											
A	AS-interface connection											
M	Solenoid plug											
<b>Variant</b>												
RO	Foot height fixed											
AR	Foot height adjustable											

# Limit switch attachments DAPZ, square design

Technical data

- Drive interface to Namur VDI/VDE 3845
- Quick and easy assembly and connection
- Integrated solenoid valve actuation
- DAPZ-SB-I-... with AS-interface



General technical data	DAPZ-SB-M-250AC-DSM-RO	DAPZ-SB-M-250AC-EXS-RO	DAPZ-SB-I-30DC-DSAM-RO
Measuring principle	Mechanical, electrical	Mechanical, electrical	Inductive
Based on standard	EN 60947-5-1	EN 60947-5-1	EN 60947-5-6
	VDI/VDE 3845 (NAMUR)		
Design	Square		
Mounting position	Any		
Protection against short circuit	No	No	Yes
Switching element function	Changeover switch	Changeover switch	Normally closed contact
Protection against reverse polarity	No	No	For all electrical connections
Switching position display	No	No	No
Operating voltage range	Direct current DC [V]	0 ... 250	–
	Alternating current AC [V]	0 ... 250	–
Nominal operating voltage DC [V]	–	–	30
Insulation voltage [V]	250	250	50
Surge capacity [kV]	4	4	0.8
Max. output current [mA]	16,000	4,000	–
Electrical connection	Screw terminal	Screw terminal	–
Fieldbus interface	–	–	AS-interface: flat cable plug
Permissible cable diameter [mm]	8 ... 13	8 ... 13	–
Cable connector	M20x1.5	M20x1.5	–

Operating and environmental conditions	DAPZ-SB-M-250AC-DSM-RO	DAPZ-SB-M-250AC-EXS-RO	DAPZ-SB-I-30DC-DSAM-RO
Ambient temperature [°C]	–20 ... +85 °C	–20 ... +60 °C	–20 ... +85 °C
Protection class	IP65		
CE marking (see declaration of conformity)	To EU Low Voltage Directive	To EU Explosion Protection Directive (ATEX)	–
ATEX category for gas	–	II 2G	–
Explosion ignition protection type for gas	–	Ex d e IIC T6 Gb	–
Explosion-proof temperature rating	–	–20 °C ≤ Ta ≤ +60 °C	–
Certificate issuing authority	–	PTB 05 ATEX 1087	–
Explosion protection certification outside the EU	–	EPL Gb (RU)	–
	–	EPL Gc (RU)	–
Degree of contamination	3		
Corrosion resistance class CRC <sup>1)</sup>	2		

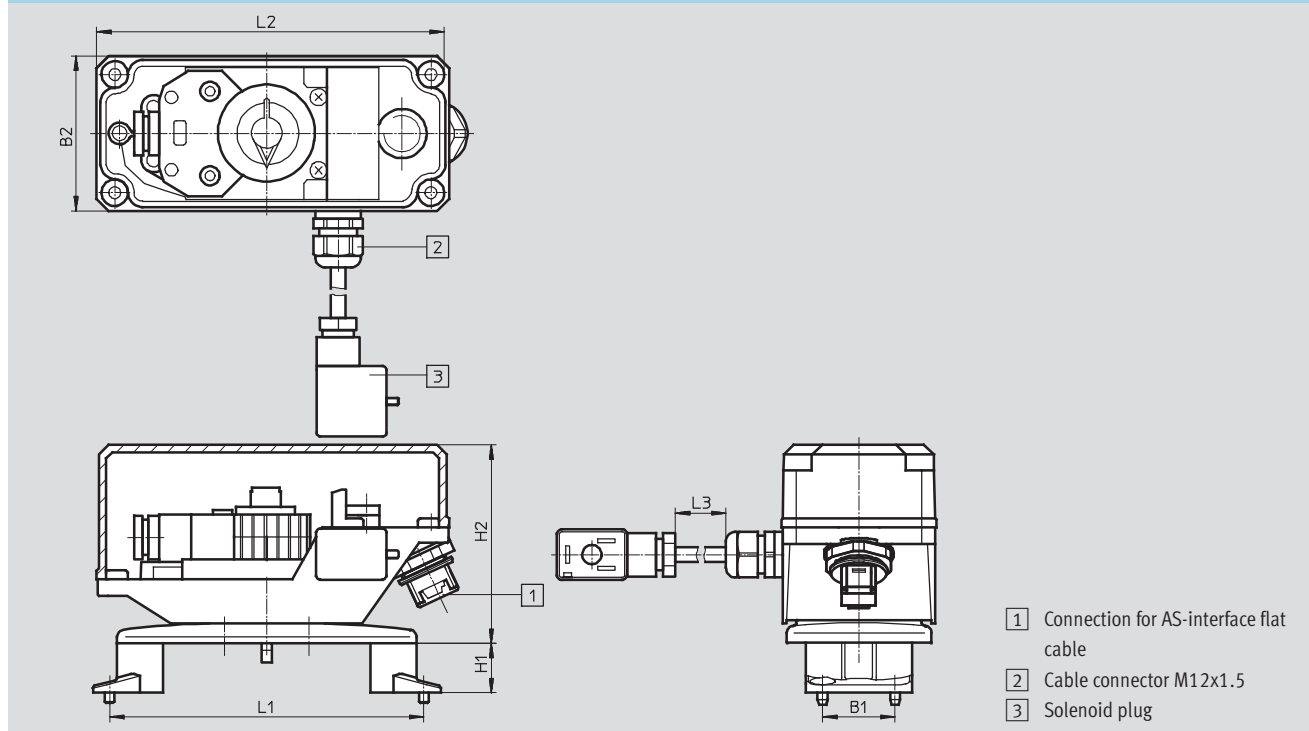
1) Corrosion resistance class 2 according to Festo standard 940 070  
 Components subject to moderate corrosion stress. Externally visible parts with primarily decorative surface requirements which are in direct contact with a normal industrial environment or media such as coolants or lubricating agents.

# Limit switch attachments DAPZ, square design

Technical data

Materials	DAPZ-SB-M-250AC-DSM-RO	DAPZ-SB-M-250AC-EXS-RO	DAPZ-SB-I-30DC-DSAM-RO
1 Housing cover	PC	PA	PC
2 Housing socket, bracket	PA	PA	PA
3 Seals	EPDM		
- Note on materials	RoHS-compliant		

Dimensions – DAPZ-SB-I-30 V/DC-... Download CAD Data → [www.festo.com/us/cad](http://www.festo.com/us/cad)



- 1 Connection for AS-interface flat cable
- 2 Cable connector M12x1.5
- 3 Solenoid plug

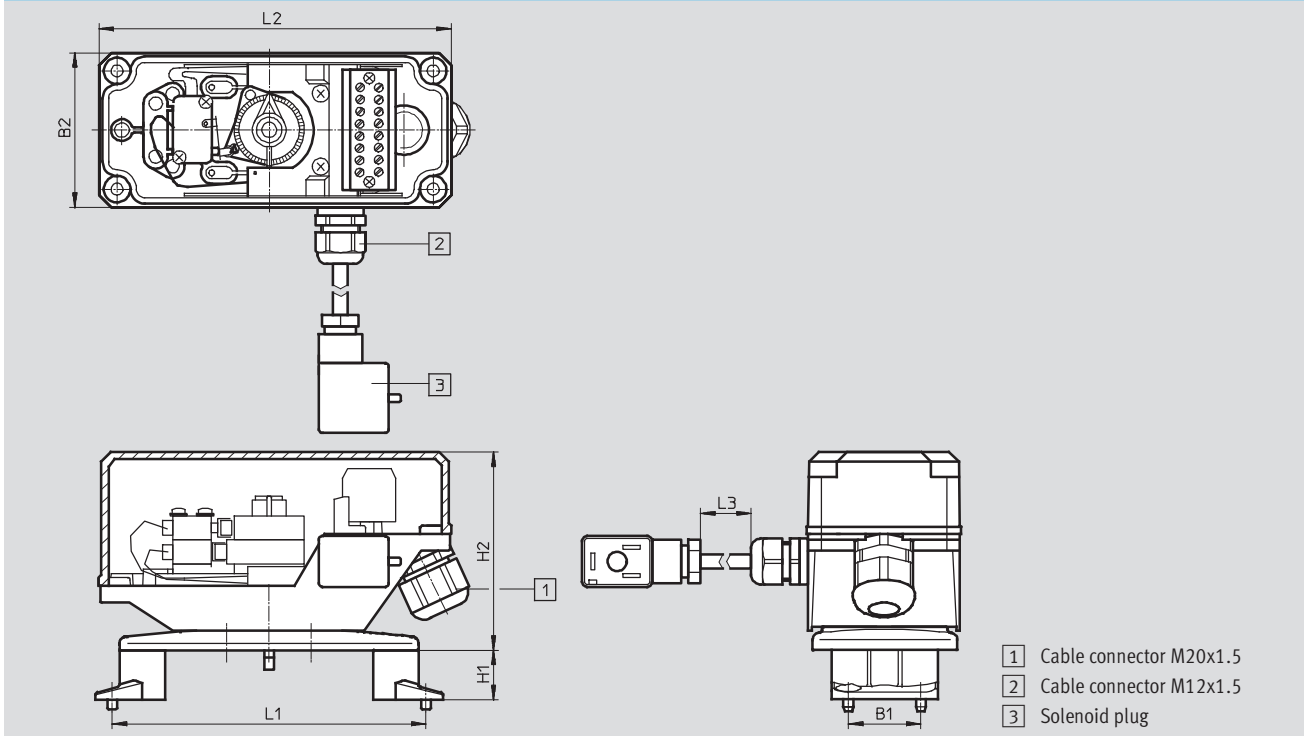
	B1	B2± <sub>2</sub>	H1	H2± <sub>3</sub>	L1	L2± <sub>2</sub>	L3± <sub>10</sub>
<b>Feet mounted inwards</b>							
Foot 20	30	63	20.5	80	80	145	300
Foot 30	30	63	30.5	80	80	145	300
Foot 50 (order accessories separately)	30	63	50.5	80	80	145	300
<b>Feet mounted outwards</b>							
Foot 20	30	63	20.5	80	130	145	300
Foot 30	30	63	30.5	80	130	145	300
Foot 50 (order accessories separately)	30	63	50.5	80	130	145	300
<b>Mounting via adapter (order accessories separately) → 11</b>							
DAPZ-SBZ-K0-RO	25± <sub>0.3</sub>	63	20.5	80	50± <sub>0.3</sub>	145	300
DAPZ-SBZ-K3-RO	30± <sub>0.3</sub>	63	30.5	80	150± <sub>0.3</sub>	145	300

# Limit switch attachments DAPZ, square design

Technical data

Dimensions – DAPZ-SB-M-250 V/AC-...

Download CAD Data → [www.festo.com/us/cad](http://www.festo.com/us/cad)



	B1	B2±2	H1	H2±3	L1	L2±2	L3±10
<b>Feet mounted inwards</b>							
Foot 20	30	63	20.5	80	80	145	300
Foot 30	30	63	30.5	80	80	145	300
Foot 50 (order accessories separately)	30	63	50.5	80	80	145	300
<b>Feet mounted outwards</b>							
Foot 20	30	63	20.5	80	130	145	300
Foot 30	30	63	30.5	80	130	145	300
Foot 50 (order accessories separately)	30	63	50.5	80	130	145	300
<b>Mounting via adapter (order accessories separately) → 11</b>							
DAPZ-SBZ-K0-RO	25±0.3	63	20.5	80	50±0.3	145	300
DAPZ-SBZ-K3-RO	30±0.3	63	30.5	80	150±0.3	145	300

<b>Ordering data</b>				
Sensing type	Variant	Measuring principle	Part No.	Type
Mechanical	Basic version	Mechanical, electrical	534 468	DAPZ-SB-M-250AC-DSM-RO
Mechanical	Explosion-proof	Mechanical, electrical	534 470	DAPZ-SB-M-250AC-EXS-RO
Contactless	Basic version	Inductive	534 473	DAPZ-SB-I-30DC-DSAM-RO

# Limit switch attachments DAPZ, round design, variant RO

FESTO

Technical data

- Drive interface to Namur VDI/VDE 3845
- Quick and easy assembly and connection
- Integrated solenoid valve actuation



General technical data	DAPZ-SB-M-250AC-DR-RO	DAPZ-SB-I-30DC-DR-RO	DAPZ-SB-I-25DC-R-RO
Measuring principle	Mechanical, electrical	Inductive	Inductive
Based on standard	EN 60947-5-1	EN 60947-5-2	EN 60947-5-6
	VDI/VDE 3845 (NAMUR)		
Design	Round		
Mounting position	Any		
Protection against short circuit	No	Pulsed	Yes
Switching element function	Changeover switch	Normally open contact	Normally closed contact
Protection against reverse polarity	No	For all electrical connections	For all electrical connections
Switching position display	Yes	Yes	No
Switching output	–	PNP	Namur
Operating voltage range	Direct current DC [V]	0 ... 250	10 ... 30
	Alternating current AC [V]	0 ... 250	–
Nominal operating voltage DC [V]	–	–	8
Insulation voltage [V]	250	50	25
Surge capacity [kV]	4	0.8	0.5
Max. output current [mA]	9,000	200	–
Switching current [mA]	Attenuated	–	≤1
	Non-attenuated	–	≥3
Electrical connection	Screw terminal	Screw terminal, plug-in	Screw terminal, plug-in
Permissible cable diameter [mm]	8 ... 13		
Cable connector	M20x1.5		

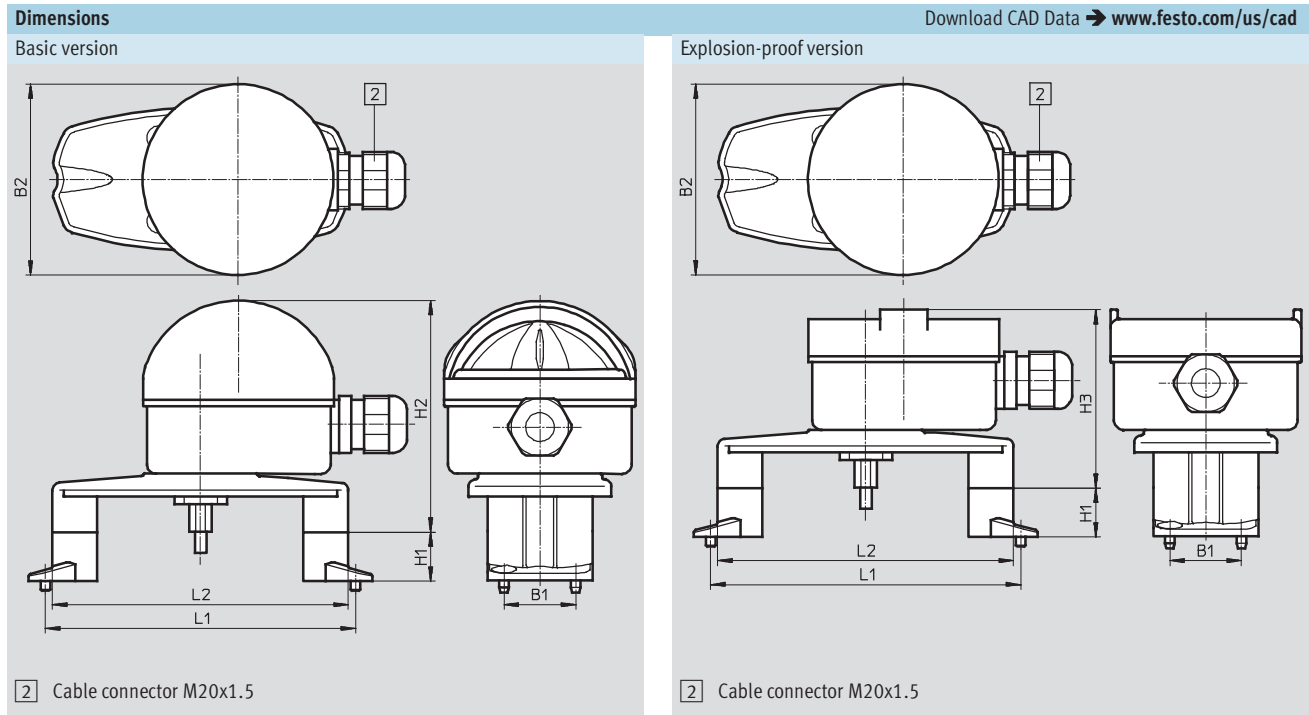
Operating and environmental conditions	DAPZ-SB-M-250AC-DR-RO	DAPZ-SB-I-30DC-DR-RO	DAPZ-SB-I-25DC-R-RO
Ambient temperature [°C]	–20 ... +85 °C	–25 ... +70 °C	–25 ... +70 °C
Protection class	IP65		
CE marking (see declaration of conformity)	To EU Low Voltage Directive	–	To EU Explosion Protection Directive (ATEX)
ATEX category for gas	–	–	II 2G
Explosion ignition protection type for gas	–	–	EEx ia IIC T6
Explosion-proof temperature rating	–	–	–25 °C ≤ Ta ≤ +70 °C
Certificate issuing authority	–	–	TÜV 99 ATEX 1479 X
Degree of contamination	3		
Corrosion resistance class CRC <sup>1)</sup>	2		

1) Corrosion resistance class 2 according to Festo standard 940 070  
Components subject to moderate corrosion stress. Externally visible parts with primarily decorative surface requirements which are in direct contact with a normal industrial environment or media such as coolants or lubricating agents.

Materials	DAPZ-SB-M-250AC-DR-RO	DAPZ-SB-I-30DC-DR-RO	DAPZ-SB-I-25DC-R-RO
1 Housing cover	PC	PC	PA
2 Housing socket, bracket	PA	PA	PA
3 Seals	EPDM		
– Note on materials	RoHS-compliant		

# Limit switch attachments DAPZ, round design, variant RO

Technical data



	B1	B2±1	H1	H2±2	H3±2	L1	L2±2
<b>Feet mounted inwards</b>							
Foot 20	30	80	20.5	97	75	80	122
Foot 30	30	80	30.5	97	75	80	122
Foot 50 (order accessories separately)	30	80	50.5	97	75	80	122
<b>Feet mounted outwards</b>							
Foot 20	30	80	20.5	97	75	130	122
Foot 30	30	80	30.5	97	75	130	122
Foot 50 (order accessories separately)	30	80	50.5	97	75	130	122
<b>Mounting via adapter (order accessories separately) → 11</b>							
DAPZ-SBZ-K0-RO	25±0.3	80	20.5	97	75	50±0.3	122
DAPZ-SBZ-K3-RO	30±0.3	80	30.5	97	75	150±0.3	122

<b>Ordering data</b>				
Sensing type	Variant	Measuring principle	Part No.	Type
Mechanical	Basic version	Mechanical, electrical	534 469	DAPZ-SB-M-250AC-DR-RO
Contactless	Basic version	Inductive	534 471	DAPZ-SB-I-30DC-DR-RO
Contactless	Explosion-proof	Inductive	534 472	DAPZ-SB-I-25DC-R-RO

# Limit switch attachments DAPZ, round design, variant AR

Technical data

- Drive interface to Namur VDI/VDE 3845
- Quick and easy assembly and connection
- Integrated solenoid valve actuation



General technical data	DAPZ-SB-M-250AC-DR-AR	DAPZ-SB-I-30DC-DR-AR	DAPZ-SB-I-25DC-EXDR-AR
Measuring principle	Mechanical, electrical	Inductive	Inductive
Based on standard	EN 60947-5-1	EN 60947-5-2	EN 60947-5-6
	VDI/VDE 3845 (NAMUR)		
Design	Round		
Mounting position	Any		
Protection against short circuit	No	Pulsed	No
Switching element function	Changeover switch	Normally open contact	Normally closed contact
Protection against reverse polarity	No	For all electrical connections	No
Switching position display	Yes		
Switching output	–	PNP	Namur
Operating voltage range	Direct current DC [V]	4 ... 250	10 ... 30
	Alternating current AC [V]	4 ... 250	–
Intrinsic current consumption at operating voltage	[mA]	1 ... 5	0 ... 100
Nominal operating voltage DC	[V]	–	8
Max. input power Pi	[mW]	–	34
Max. input voltage Ui	Direct current DC [V]	–	16
Max. input current Ii	[mA]	–	25
Insulation voltage	[V]	250	50
Surge capacity	[kV]	2.5	0.5
Max. output current	[mA]	5,000	100
Switching current	Attenuated [mA]	–	0 ... 1
	Non-attenuated	–	3
Minimum load current		1 mA at 4 V/DC	–
Electrical connection	Screw terminal		
Permissible cable diameter	[mm]	7 ... 13	
Cable connector	M20x1.5		



# Limit switch attachments DAPZ, round design, variant AR

Technical data

Operating and environmental conditions	DAPZ-SB-M-250AC-DR-AR	DAPZ-SB-I-30DC-DR-AR	DAPZ-SB-I-25DC-EXDR-AR
Ambient temperature [°C]	-20 ... +70 °C		
Protection class	IP67		
CE marking (see declaration of conformity)	To EU Low Voltage Directive	-	To EU Explosion Protection Directive (ATEX)
ATEX category for gas	-	-	II 2GX
Explosion ignition protection type for gas	-	-	EEx ia IIB T6
Explosion-proof temperature rating	-	-	-20 °C ≤ Ta ≤ +70 °C
Certificate issuing authority	-	-	PTB 00 ATEX 2032 X
Explosion protection certification outside the EU	-	-	EPL Gb (RU)
	-	-	EPL Gc (RU)
PFD	-	-	4,69E-04
PFH	-	-	1,07E-07
Degree of contamination	3		
Corrosion resistance class CRC <sup>1)</sup>	2		

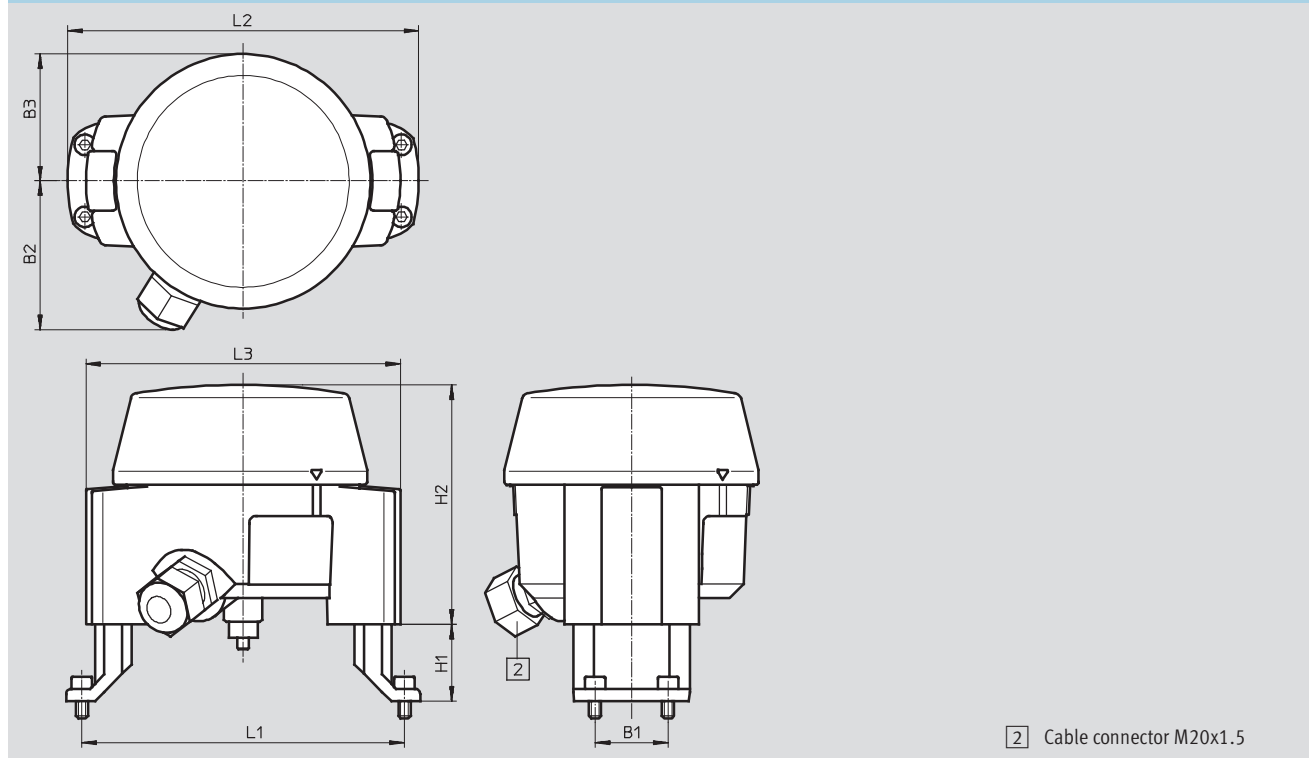
1) Corrosion resistance class 2 according to Festo standard 940 070  
 Components subject to moderate corrosion stress. Externally visible parts with primarily decorative surface requirements which are in direct contact with a normal industrial environment or media such as coolants or lubricating agents.

Materials	
1 Housing cover	PC
2 Housing socket, bracket	ABS, PC
3 Seals	NBR
- Note on materials	RoHS-compliant

# Limit switch attachments DAPZ, round design, variant AR

Technical data

Dimensions Download CAD Data → [www.festo.com/us/cad](http://www.festo.com/us/cad)

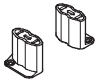
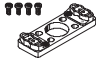
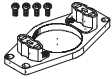
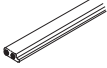
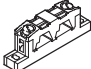
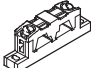
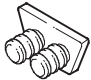

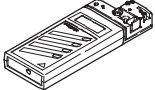
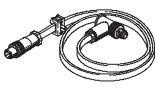


	B1	B2	B3	H1	H2	L1	L2	L3
<b>Feet mounted inwards</b>								
Foot height adjustable	30	62	52.5	20, 30, 50	100	80	144	130
<b>Feet mounted outwards</b>								
Foot height adjustable	30	62	52.5	20, 30, 50	100	130	144	130

<b>Ordering data</b>				
Sensing type	Variant	Measuring principle	Part No.	Type
Mechanical	Basic version	Mechanical, electrical	534 474	DAPZ-SB-M-250AC-DR-AR
Contactless	Basic version	Inductive	534 475	DAPZ-SB-I-30DC-DR-AR
Contactless	Explosion-proof	Inductive	534 476	DAPZ-SB-I-25DC-EXDR-AR

# Limit switch attachments DAPZ

Accessories

Ordering data			
	Brief description	Part No.	Type
<b>Foot</b>			
	Kit for limit switch attachment DAPZ-...-RO Shaft height 50 mm, port pattern 130 x 30 mm	534 477	DAPZ-SBZ-F50-RO
<b>Adapter for foot mounting</b>			
	Kit for limit switch attachment DAPZ-...-RO on the quarter turn actuator DRD/DRE sizes 1 and 2 Foot connection L50 x W25 x H20 mm	534 478	DAPZ-SBZ-K0-RO
	Kit for limit switch attachment DAPZ-...-RO on the quarter turn actuator DRD/DRE sizes 375 ... 880 Foot connection L150 x W30 x H30 mm	534 479	DAPZ-SBZ-K3-RO
<b>Fieldbus connection</b>			
	Flat cable for AS-interface components, yellow, 100 m	18 940	KASI-1,5-Y-100
	Cable distributor for flat cable, cable rotatable	18 786	ASI-KVT-FK
	Cable distributor for flat cable, cable symmetrical	18 797	ASI-KVT-FK-S
	Cable cap for flat cable (50 included in the scope of delivery)	18 787	ASI-KK-FK
	Cable sleeve (20 included in the scope of delivery)	165 593	ASI-KT-FK
<b>Miscellaneous</b>			
	Addressing device for AS-interface stations	18 959	ASI-PRG-ADR
	Addressing cable for addressing device	18 960	KASI-ADR

# Limit switch attachments QH-DR-E

## Technical data

Limit switch attachment  
with 3 measuring principles:

- Pneumatic
- Mechanical, electrical
- Inductive



General technical data		QH-DR-E-S3-PK-3-B-B	QH-DR-E-S3-E-SW-B	QH-DR-E-SIEN-M12-NB-B
Measuring principle		Pneumatic <sup>1)</sup>	Mechanical, electrical <sup>2)</sup>	Inductive <sup>3)</sup>
Pneumatic connection		G1/8	–	–
Based on standard		VDI/VDE 3845 (NAMUR)		
		–	EN 60947-5-1	EN 60947-5-2
Design		Square		
Mounting position		Any		
Protection against short circuit		–	No	Pulsed
Switching element function		–	Changeover switch	Normally open contact
Protection against reverse polarity		–	No	For all electrical connections
Switching position display		No	No	No
Switching output		–	–	PNP
Operating voltage range	Direct current DC [V]	–	0 ... 250	10 ... 30
	Alternating current AC [V]	–	0 ... 250	–
Insulation voltage [V]		–	250	50
Surge capacity [kV]		–	2.5	0.5
Max. output current [mA]		–	16,000	200
Electrical connection		–	Screw terminal	Screw terminal
Cable diameter [mm]		–	8 ... 13	8 ... 13
Cable connector		–	M20	M20

1) With stem actuated micro valve S-3-PK-3-B

2) With micro switch with roller lever (splash-proof) S-3-E-SW-B

3) With proximity sensor SIEN-M12-NB-B

Operating and environmental conditions		QH-DR-E-S3-PK-3-B-B	QH-DR-E-S3-E-SW-B	QH-DR-E-SIEN-M12-NB-B
Operating medium		Compressed air in accordance with ISO 8573-1:2010 [7:--:--]	–	–
Note on operating/pilot medium		Operation with lubricated medium possible (in which case lubricated operation will always be required)		
Operating pressure [bar]		–0.95 ... +8	–	–
Ambient temperature [°C]		–10 ... +60 °C	–20 ... +85 °C	–25 ... +70 °C
Protection class		IP65		
CE marking (see declaration of conformity)		–	To EU Low Voltage Directive	To EU EMC Directive
Degree of contamination		–	3	
Corrosion resistance class CRC <sup>1)</sup>		2		

1) Corrosion resistance class 2 according to Festo standard 940 070

Components subject to moderate corrosion stress. Externally visible parts with primarily decorative surface requirements which are in direct contact with a normal industrial environment or media such as coolants or lubricating agents.

# Limit switch attachments QH-DR-E

Technical data

Materials		
1	Bracket	High-alloy stainless steel
2	Housing cover	PC
3	Housing socket	PA
4	Seals	EPDM
-	Note on materials	RoHS-compliant

Dimensions Download CAD Data → [www.festo.com/us/cad](http://www.festo.com/us/cad)

1 Pg13.5

	B1	B2	D1 Ø	H1	H2	L1	L2
QH-DR-E- ...	64	30	5.5	102	28.5	146	80

Ordering data		
Measuring principle	Part No.	Type
Pneumatic with S3-PK-3-B	164 855	QH-DR-E-S3-PK-3-B-B
Electrical with S3-E-SW-B	164 854	QH-DR-E-S3-E-SW-B
Inductive with SIE-M12-NB-B	164 853	QH-DR-E-SIEN-M12-NB-B

# Product Range and Company Overview

## A Complete Suite of Automation Services

Our experienced engineers provide complete support at every stage of your development process, including: conceptualization, analysis, engineering, design, assembly, documentation, validation, and production.



**Custom Automation Components**  
Complete custom engineered solutions



**Custom Control Cabinets**  
Comprehensive engineering support and on-site services



**Complete Systems**  
Shipment, stocking and storage services

## The Broadest Range of Automation Components

With a comprehensive line of more than 30,000 automation components, Festo is capable of solving the most complex automation requirements.



**Electromechanical**  
Electromechanical actuators, motors, controllers & drives



**Pneumatics**  
Pneumatic linear and rotary actuators, valves, and air supply



**PLCs and I/O Devices**  
PLC's, operator interfaces, sensors and I/O devices

## Supporting Advanced Automation... As No One Else Can!

Festo is a leading global manufacturer of pneumatic and electromechanical systems, components and controls for industrial automation, with more than 12,000 employees in 56 national headquarters serving more than 180 countries. For more than 80 years, Festo has continuously elevated the state of manufacturing with innovations and optimized motion control solutions that deliver higher performing, more profitable automated manufacturing and processing equipment. Our dedication to the advancement of automation extends beyond technology to the education and development of current and future automation and robotics designers with simulation tools, teaching programs, and on-site services.

## Quality Assurance, ISO 9001 and ISO 14001 Certifications

Festo Corporation is committed to supply all Festo products and services that will meet or exceed our customers' requirements in product quality, delivery, customer service and satisfaction.

To meet this commitment, we strive to ensure a consistent, integrated, and systematic approach to management that will meet or exceed the requirements of the ISO 9001 standard for Quality Management and the ISO 14001 standard for Environmental Management.



© Copyright 2008, Festo Corporation. While every effort is made to ensure that all dimensions and specifications are correct, Festo cannot guarantee that publications are completely free of any error, in particular typing or printing errors. Accordingly, Festo cannot be held responsible for the same. For Liability and Warranty conditions, refer to our "Terms and Conditions of Sale", available from your local Festo office. All rights reserved. No part of this publication may be reproduced, distributed, or transmitted in any form or by any means, electronic, mechanical, photocopying or otherwise, without the prior written permission of Festo. All technical data subject to change according to technical update.



Printed on recycled paper at New Horizon Graphic, Inc., FSC certified as an environmentally friendly printing plant.

# Festo North America

## Festo Regional Contact Center

5300 Explorer Drive  
Mississauga, Ontario L4W 5G4  
Canada

### USA Customers:

For ordering assistance,

**Call:** 1.800.99.FESTO (1.800.993.3786)

**Fax:** 1.800.96.FESTO (1.800.963.3786)

**Email:** [customer.service@us.festo.com](mailto:customer.service@us.festo.com)

For technical support,

**Call:** 1.866.GO.FESTO (1.866.463.3786)

**Fax:** 1.800.96.FESTO (1.800.963.3786)

**Email:** [product.support@us.festo.com](mailto:product.support@us.festo.com)

### Canadian Customers:

**Call:** 1.877.GO.FESTO (1.877.463.3786)

**Fax:** 1.877.FX.FESTO (1.877.393.3786)

**Email:** [festo.canada@ca.festo.com](mailto:festo.canada@ca.festo.com)

---

## USA Headquarters

Festo Corporation  
395 Moreland Road  
P.O. Box 18023  
Hauppauge, NY 11788, USA  
[www.festo.com/us](http://www.festo.com/us)

---

## USA Sales Offices

### Appleton

North 922 Tower View Drive, Suite N  
Greenville, WI 54942, USA

### Boston

120 Presidential Way, Suite 330  
Woburn, MA 01801, USA

### Chicago

1441 East Business Center Drive  
Mt. Prospect, IL 60056, USA

### Dallas

1825 Lakeway Drive, Suite 600  
Lewisville, TX 75057, USA

### Detroit – Automotive Engineering Center

2601 Cambridge Court, Suite 320  
Auburn Hills, MI 48326, USA

### New York

395 Moreland Road  
Hauppauge, NY 11788, USA

### Silicon Valley

4935 Southfront Road, Suite F  
Livermore, CA 94550, USA

## United States



**USA Headquarters, East:** Festo Corp., 395 Moreland Road, Hauppauge, NY 11788

Phone: 1.631.435.0800; Fax: 1.631.435.8026;

Email: [info@festo-usa.com](mailto:info@festo-usa.com)

[www.festo.com/us](http://www.festo.com/us)

## Canada



**Headquarters:** Festo Inc., 5300 Explorer Drive, Mississauga, Ontario L4W 5G4

Phone: 1.905.624.9000; Fax: 1.905.624.9001;

Email: [festo.canada@ca.festo.com](mailto:festo.canada@ca.festo.com)

[www.festo.ca](http://www.festo.ca)

## Mexico



**Headquarters:** Festo Pneumatic, S.A., Av. Ceylán 3, Col. Tequesquahuac,  
54020 Tlalneantla, Edo. de México

Phone: 011 52 [55] 53 21 66 00; Fax: 011 52 [55] 53 21 66 65;

Email: [festo.mexico@mx.festo.com](mailto:festo.mexico@mx.festo.com)

[www.festo.com/mx](http://www.festo.com/mx)

---

## Central USA

Festo Corporation  
1441 East Business  
Center Drive  
Mt. Prospect, IL 60056, USA  
Phone: 1.847.759.2600  
Fax: 1.847.768.9480



## Western USA

Festo Corporation  
4935 Southfront Road,  
Suite F  
Livermore, CA 94550, USA  
Phone: 1.925.371.1099  
Fax: 1.925.245.1286



---

## Festo Worldwide

Argentina Australia Austria Belarus Belgium Brazil Bulgaria Canada Chile China Colombia Croatia Czech Republic Denmark  
Estonia Finland France Germany Great Britain Greece Hong Kong Hungary India Indonesia Iran Ireland Israel Italy Japan Latvia  
Lithuania Malaysia Mexico Netherlands New Zealand Norway Peru Philippines Poland Romania Russia Serbia Singapore  
Slovakia Slovenia South Africa South Korea Spain Sweden Switzerland Taiwan Thailand Turkey Ukraine United States Venezuela

[www.festo.com](http://www.festo.com)