

LR Pressure Regulators – D Series, NPT

Technical Data

Function

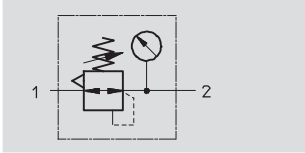
Flow rate

120 ... 12500 l/min

LR-...-D-...

Temperature range

-10 ... +60 °C



Pressure

1 ... 16 bar



Integrated universal locking for pressure regulators of D series which prevents alteration of the set secondary pressure (p2) by unauthorized persons. Universal locking means that multiple locks can be closed with the same key. A cylinder lock is integrated in the rotary knob.

- Also suitable for front panel mounting
- Two pressure gauge connections for different fitting options
- Mini and Midi sizes: Directly actuated diaphragm regulator
- Maxi size: Pilot actuated piston regulator, diaphragm regulator
- Good regulating characteristics with minimal pressure hysteresis
- High flow rate
- Two pressure regulation ranges: 0.5 ... 7 bar and 0.5 ... 12 bar
- Setting values are secured by locking the rotary knob
- Return flow option for venting from output 2 to input 1
- Pressure sensor (optional)

| General technical data | | | | | | | | | | |
|---------------------------------|----------------------|---------------------------------------|------------|---------|---------|---------|---------|---------------------------------------|-------|--|
| Size | Micro | Mini | | | Midi | | | Maxi | | |
| Pneumatic connection | 1/8 NPT | 1/8 NPT | 1/4 NPT | 3/8 NPT | 3/8 NPT | 1/2 NPT | 3/4 NPT | 3/4 NPT | 1 NPT | |
| Operating medium | Compressed air | | | | | | | | | |
| Design | Diaphragm regulator | Directly actuated diaphragm regulator | | | | | | Pilot actuated piston regulator | | |
| | | | | | | | | Directly actuated diaphragm regulator | | |
| Type of mounting | Via accessories | | | | | | | | | |
| | In-line installation | | | | | | | | | |
| | Front panel mounting | | | | | | | | | |
| Mounting position | Any | | | | | | | | | |
| Max. hysteresis [bar] | 0.3 | 0.2 | | | | | | 0.4 | | |
| Input pressure [bar] | 1 ... 10 | | 1 ... 16 | | | | | | | |
| Pressure regulation range [bar] | 0.5 ... 7 | | 0.5 ... 7 | | | | | | | |
| | | | 0.5 ... 12 | | | | | | | |
| Pressure indication | Via pressure gauge | | | | | | | | | |
| | Port connection | M5 | G1/8 | | | G1/4 | | | G1/4 | |

Note: This product conforms to ISO 1179-1 and ISO 228-1

LR Pressure Regulators – D Series, NPT

Technical Data

FESTO

| Standard nominal flow rate ¹⁾ qnN [l/min] | |
|--|-----------------------|
| Connection | Port block 1/8 NPT |
| Micro | |
| LR | 450 |

| Standard nominal flow rate ¹⁾ qnN [l/min] | | | | | | |
|--|---------|---------|---------|---------|---------|-------|
| Connection | 1/8 NPT | 1/4 NPT | 3/8 NPT | 1/2 NPT | 3/4 NPT | 1 NPT |
| Mini | | | | | | |
| Pressure regulation range 0.5 ... 7 bar | 1000 | 1600 | 1800 | – | – | – |
| Pressure regulation range 0.5 ... 12 bar | 800 | 1500 | 1700 | – | – | – |
| Midi | | | | | | |
| Pressure regulation range 0.5 ... 7 bar | – | 2200 | 3300 | 4000 | 4500 | – |
| Pressure regulation range 0.5 ... 12 bar | – | 2100 | 3200 | 3500 | 3500 | – |
| Maxi | | | | | | |
| Pressure regulation range 0.5 ... 7 bar | – | – | – | 10700 | 12000 | 12500 |
| Pressure regulation range 0.5 ... 12 bar | – | – | – | 10500 | 11000 | 11500 |

1) Measured at p₁ = 10 bar, p₂ = 6 bar and Δp = 1 bar.

| Screw-in depth of connecting thread [mm] | | | | | |
|--|----|----|------|-----|-----|
| Connection | M5 | M7 | G1/8 | QS4 | QS6 |
| Micro | | | | | |
| In housing | 5 | 6 | – | – | – |
| In connecting plates | – | – | 8 | – | – |

| Ambient conditions | | | | |
|--|-------------|------|------|------|
| Size | Micro | Mini | Midi | Maxi |
| Ambient temperature [°C] | –10 ... +60 | | | |
| Temperature of medium [°C] | –10 ... +60 | | | |
| Corrosion resistance class CRC ³⁾ | 2 | | | |

3) Corrosion resistance class 2 according to Festo standard 940 070
Components requiring moderate corrosion resistance. Externally visible parts with primarily decorative surface requirements which are in direct contact with a normal industrial environment or media such as coolants or lubricating agents.

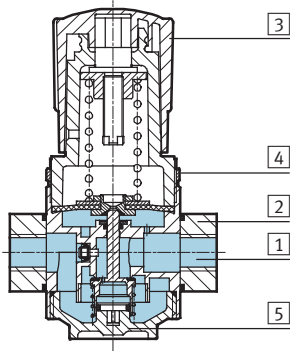
| Weight [g] | | | | | |
|------------------------|---------------|------------------|------|------|-------|
| Size | Micro | | Mini | Midi | Maxi |
| | Female thread | Connecting plate | | | |
| With pressure gauge | | | | | |
| LR | 60 | 80 | 350 | 720 | 1200 |
| Without pressure gauge | | | | | |
| LR | 50 | 70 | 300 | 660 | 1 100 |

LR Pressure Regulators – D Series, NPT

Technical Data

Materials

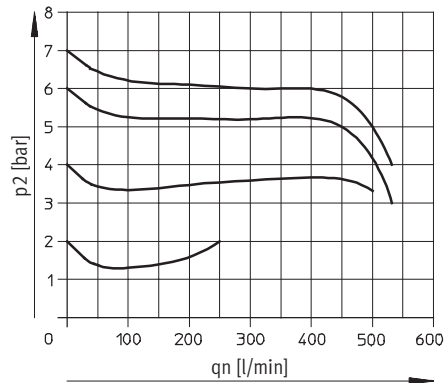
Sectional view



| Pressure regulator | Micro | Mini/Midi/Maxi |
|--------------------|------------------------|------------------------|
| 1 Housing | Wrought aluminum alloy | Die-cast zinc/aluminum |
| 2 Port blocks | Wrought aluminum alloy | Die-cast zinc/aluminum |
| 3 Regulating knob | Polyacetal | Polyacetal |
| 4 Knurled nut | – | Aluminum |
| 5 Plug cap | Polycarbonate | Polycarbonate |
| – Seals | Nitrile rubber | Nitrile rubber |

Standard flow rate q_n as a function of the output pressure p_2

LR-1/8-...-MICRO



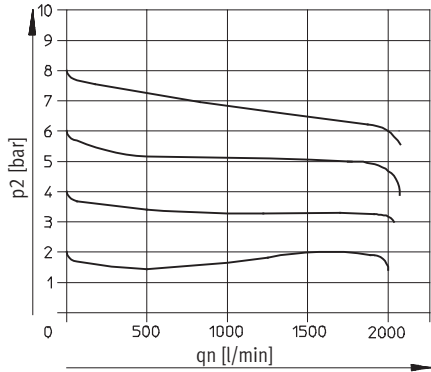
LR Pressure Regulators – D Series, NPT

Technical Data

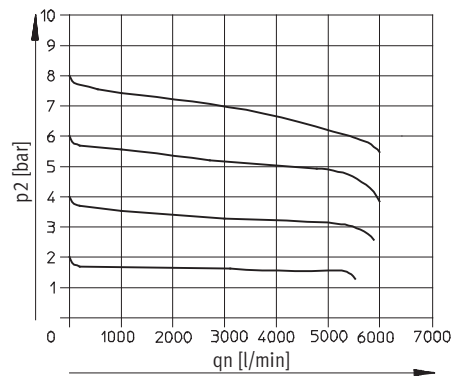
FESTO

Standard flow rate q_n as a function of the output pressure p_2

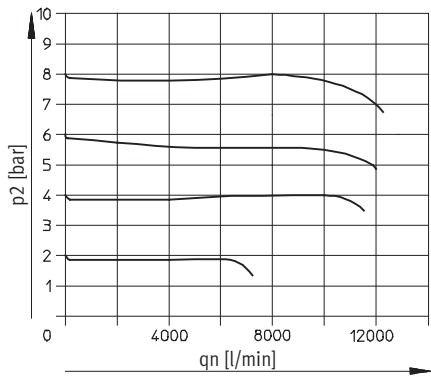
LR-1/4-D-MINI



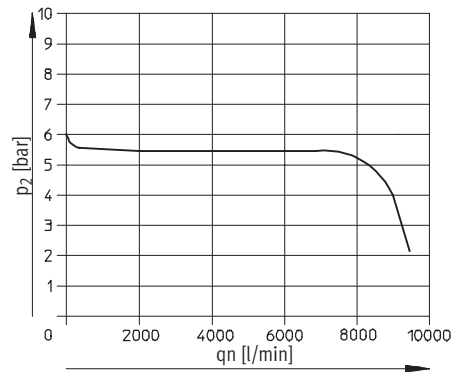
LR-1/2-D-MIDI



LR-1-D-MAXI



LR-1-D-DI-MAXI

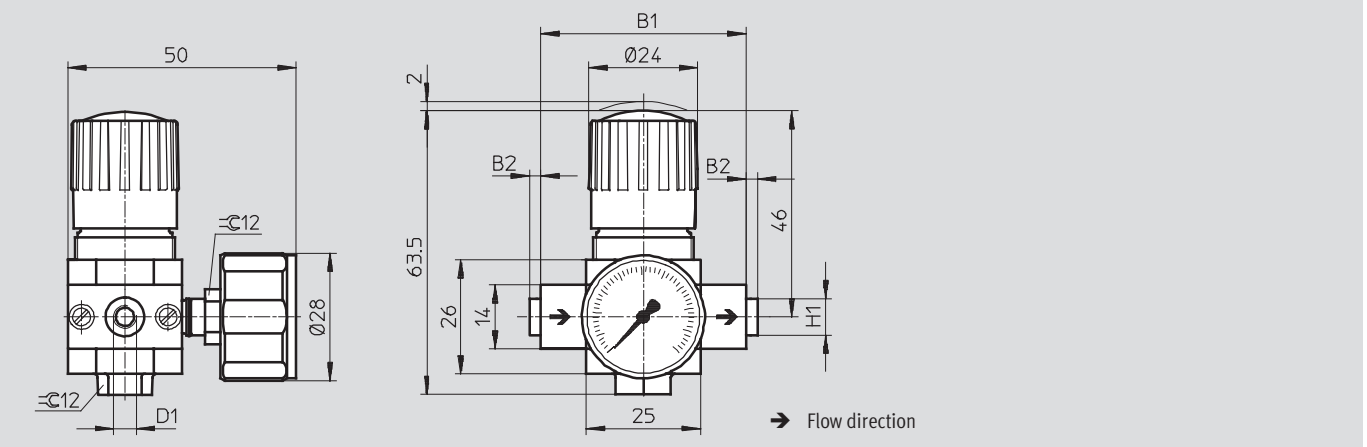


Primary pressure $p_1 = 10$ bar

Dimensions

Download CAD Data → www.festo.com/us/cad

Micro



| Type | B1 | B2 | D1 | H1 |
|------------------------------------|----|----|---------|----|
| LR-1/8-D-7-MICRO, L-N1/8-D-7-MICRO | 45 | - | 1/8 NPT | - |

Note: This product conforms to ISO 1179-1 and ISO 228-1

LR Pressure Regulators – D Series, NPT

Technical Data – Dimensional Drawings

Dimensions Download CAD Data → www.festo.com/us/cad

Mini/Midi/Maxi

1 Second pressure gauge connection 3 Installation dimensions → Flow direction

| Type | B1 | B2 | B3 | B4 | D1 | D2 ∅ | D3 | D4 | D5 ∅ |
|---------------------|-----|----|----|-----|---------|---------|----|---------|---------|
| Mini | | | | | | | | | |
| LR-1/8-D-MINI (NPT) | 64 | 52 | 40 | 76 | 1/8 NPT | 31 | M4 | M36x1.5 | 41 |
| LR-1/4-D-MINI (NPT) | | | | | 1/4 NPT | | | | |
| LR-3/8-D-MINI (NPT) | | | | | 3/8 NPT | | | | |
| Midi | | | | | | | | | |
| LR-3/8-D-MIDI (NPT) | 85 | 70 | 55 | 95 | 3/8 NPT | 50 | M5 | M52x1.5 | 50 |
| LR-1/2-D-MIDI (NPT) | | | | | 1/2 NPT | | | | |
| LR-3/4-D-MIDI (NPT) | | | | | 3/4 NPT | | | | |
| Maxi | | | | | | | | | |
| LR-3/4-D-MAXI (NPT) | 96 | 80 | 66 | 107 | 3/4 NPT | 31 | M5 | M36x1.5 | 50 |
| LR-1-D-MAXI (NPT) | 116 | 91 | | | 1 NPT | | | | |

| Type | H1 | H2 | L1 | L4 | L5 max. | L6 | L7 | T1 | ⊕C1 | ⊕C2 |
|---------------------|----|----|-----|----|------------|-----|----|----|-----|-----|
| Mini | | | | | | | | | | |
| LR-1/8-D-MINI (NPT) | 20 | 11 | 96 | 68 | 3 | 98 | 60 | 7 | 14 | 17 |
| LR-1/4-D-MINI (NPT) | | | | | | | | | | |
| LR-3/8-D-MINI (NPT) | | | | | | | | | | |
| Midi | | | | | | | | | | |
| LR-3/8-D-MIDI (NPT) | 32 | 22 | 135 | 99 | 5 | 130 | 60 | 8 | 14 | 36 |
| LR-1/2-D-MIDI (NPT) | | | | | | | | | | |
| LR-3/4-D-MIDI (NPT) | | | | | | | | | | |
| Maxi | | | | | | | | | | |
| LR-3/4-D-MAXI (NPT) | 32 | 22 | 125 | 82 | 4 | 111 | 60 | 8 | 14 | 22 |
| LR-1-D-MAXI (NPT) | 40 | | 125 | 82 | | 111 | | | | |

Note: This product conforms to ISO 1179-1 and ISO 228-1

LR/LRS Pressure Regulators – D Series, NPT

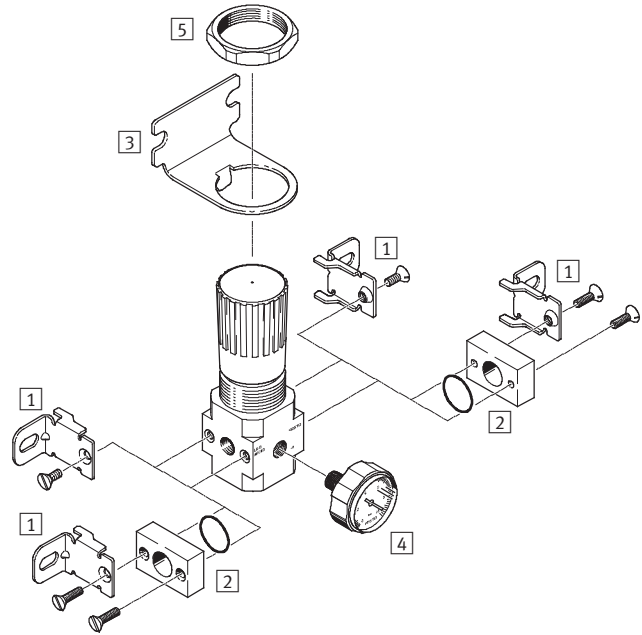
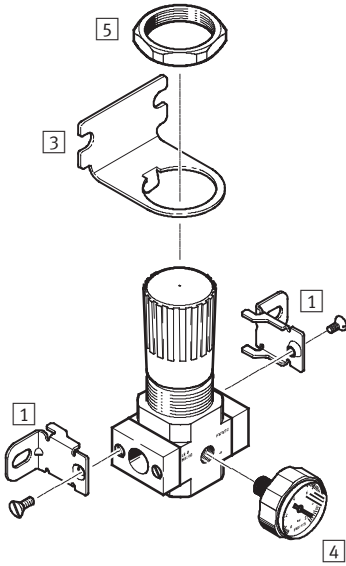
Accessories Overview



Micro

Individual unit with port blocks, connection size 1/8NPT

Individual unit without port blocks, for service unit combination connection size M5 or M7 in housing



| Mounting attachments and accessories | | | | | |
|--------------------------------------|--|---------------------|------------------|---------------------|-----------------|
| | Individual unit | | Combination | | → Page/Internet |
| | with port blocks | without port blocks | with port blocks | without port blocks | |
| 1 | Mounting bracket HFOE | ■ | ■ | ■ | hfoe |
| 2 | Port block kit PBL | - | ■ | ■ | pbl |
| 3 | Mounting bracket HRS | ■ | ■ | ■ | hrs |
| 4 | Pressure gauge MA-27 | ■ | ■ | ■ | ma |
| 5 | Hexagon nut (included in scope of delivery) HMR | ■ | ■ | ■ | hmr |

Note

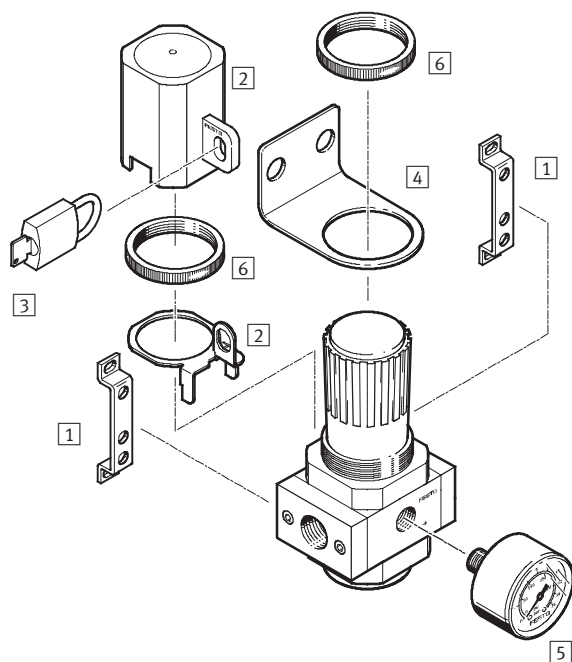
For Custom Combinations → FAST Program Selector Guide starting page 10

LR/LRS Pressure Regulators – D Series, NPT

Accessories Overview

Mini/Midi/Maxi

Pressure regulator LR



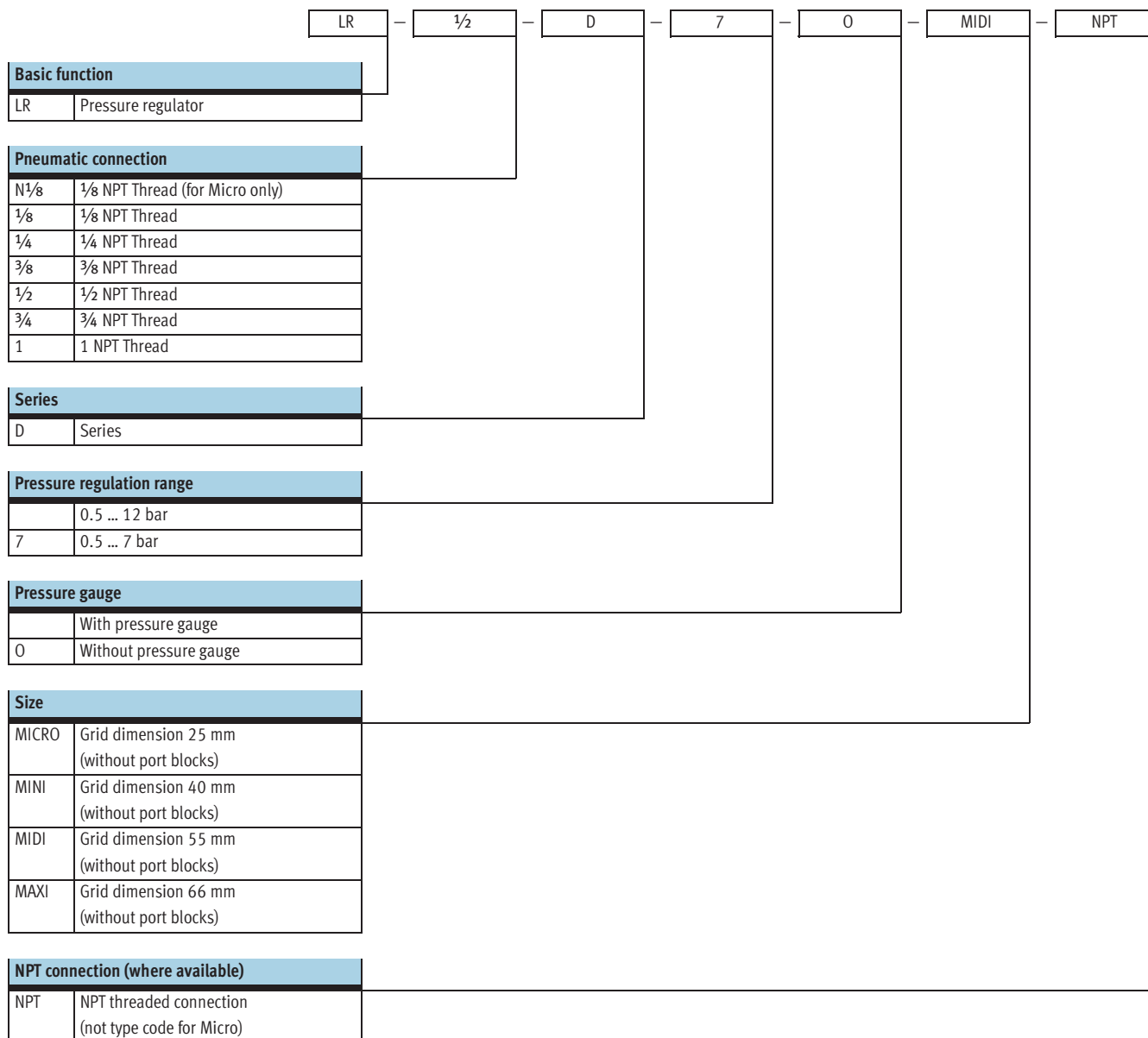
| Mounting attachments and accessories | | | |
|--|-------------------------|-----------------------|-----------------|
| | Rotary knob with detent | Rotary knob, lockable | → Page/Internet |
| 1 Mounting bracket HFOE | ■ | ■ | hfoe |
| 2 Regulator lock LRVS | ■ | - | lrvs |
| 3 Padlock LRVS-D | ■ | - | lrvs-d |
| 4 Mounting bracket HR-D | ■ | ■ | hr |
| 5 Pressure gauge MA | ■ | ■ | ma |
| 6 Knurled nut (included in scope of delivery) HMR | ■ | ■ | - |

Note

For Custom Combinations → FAST Program Selector Guide starting page 10

LR Pressure Regulators – D Series, NPT

Type Codes



LR Pressure Regulators – D Series, NPT



Ordering Data

| Ordering data | | | |
|------------------------|---------------------------------|---|---------------------|
| Size | Connection | Pressure regulation range 0.5 ... 7 bar | |
| | | Part No. | Type |
| With pressure gauge | | | |
| Micro | With threaded connecting plates | | |
| | 1/8 NPT | 526265 | LR-N1/8-D-7-MICRO |
| Without pressure gauge | | | |
| Micro | With threaded connecting plates | | |
| | 1/8 NPT | 526266 | LR-N1/8-D-O-7-MICRO |

| Ordering data | | | | | |
|---------------------|------------|---|---------------------|--|-------------------|
| Size | Connection | Pressure regulation range 0.5 ... 7 bar | | Pressure regulation range 0.5 ... 12 bar | |
| | | Part No. | Type | Part No. | Type |
| With pressure gauge | | | | | |
| Mini | 1/8 NPT | 173646 | LR-1/8-D-7-MINI-NPT | 173644 | LR-1/8-D-MINI-NPT |
| | 1/4 NPT | 173650 | LR-1/4-D-7-MINI-NPT | 173648 | LR-1/4-D-MINI-NPT |
| | 3/8 NPT | 173654 | LR-3/8-D-7-MINI-NPT | 173652 | LR-3/8-D-MINI-NPT |
| Midi | 3/8 NPT | 173658 | LR-3/8-D-7-MIDI-NPT | 173656 | LR-3/8-D-MIDI-NPT |
| | 1/2 NPT | 173662 | LR-1/2-D-7-MIDI-NPT | 173660 | LR-1/2-D-MIDI-NPT |
| | 3/4 NPT | 173666 | LR-3/4-D-7-MIDI-NPT | 173664 | LR-3/4-D-MIDI-NPT |
| Maxi | 3/4 NPT | 173670 | LR-3/4-D-7-MAXI-NPT | 173668 | LR-3/4-D-MAXI-NPT |
| | 1 NPT | 173674 | LR-1-D-7-MAXI-NPT | 173672 | LR-1-D-MAXI-NPT |

| Ordering data | | | | | |
|------------------------|------------|---|-------------------------------------|--|-----------------------------------|
| Size | Connection | Pressure regulation range 0.5 ... 7 bar | | Pressure regulation range 0.5 ... 12 bar | |
| | | Part No. | Type | Part No. | Type |
| Without pressure gauge | | | | | |
| Mini | 1/8 NPT | 173647 | LR-1/8-D-7-O-MINI-NPT ¹⁾ | 173645 | LR-1/8-D-O-MINI-NPT ¹⁾ |
| | 1/4 NPT | 173651 | LR-1/4-D-7-O-MINI-NPT ¹⁾ | 173649 | LR-1/4-D-O-MINI-NPT ¹⁾ |
| | 3/8 NPT | 173655 | LR-3/8-D-7-O-MINI-NPT ¹⁾ | 173653 | LR-3/8-D-O-MINI-NPT ¹⁾ |
| Midi | 3/8 NPT | 173659 | LR-3/8-D-7-O-MIDI-NPT ¹⁾ | 173657 | LR-3/8-D-O-MIDI-NPT ¹⁾ |
| | 1/2 NPT | 173663 | LR-1/2-D-7-O-MIDI-NPT ¹⁾ | 173661 | LR-1/2-D-O-MIDI-NPT ¹⁾ |
| | 3/4 NPT | 173667 | LR-3/4-D-7-O-MIDI-NPT ¹⁾ | 173665 | LR-3/4-D-O-MIDI-NPT ¹⁾ |
| Maxi | 3/4 NPT | 173671 | LR-3/4-D-7-O-MAXI-NPT ¹⁾ | 173669 | LR-3/4-D-O-MAXI-NPT ¹⁾ |
| | 1 NPT | 173675 | LR-1-D-7-O-MAXI-NPT ¹⁾ | 173673 | LR-1-D-O-MAXI-NPT ¹⁾ |

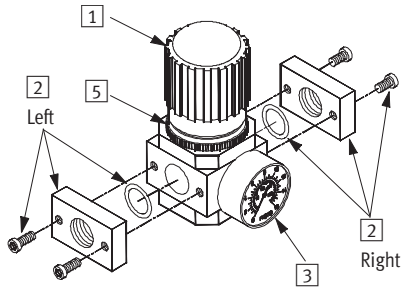
1) Free of copper, PTFE and silicone

FAST* Program – LR Pressure Regulator Selector Guide



LR Pressure Regulators – D Series, NPT

* FAST = Festo Assured Shipping Time. Ordering via the FAST program means same day / next day shipping from our warehouse of the parts required to assemble a complete air preparation unit.



A complete regulator assembly consists of the following items:

| Item | Description | Qty Required per Assy |
|------|---|-------------------------|
| 1 | Main Unit | 1 |
| 2 | Port Block Kit | 2 (one left, one right) |
| 3 | Gauge | 1 |
| 4 | Wall Mounting Bracket Kit (Optional, not shown) | 1 |
| 5 | Knurled Nut (Optional) | 1 |

Note: Joining rods (not shown here) are not needed in this assembly.

Step 1: Based upon the required Port Size, Maximum Output Pressure, Maximum Flow, and Thread Type, select the Main Unit (Item 1), the Left and Right Port Block Kits (Item 2), and, if required, Gauge (Item 3) and Knurled Nut (Item 5).

| Port size | Max. Output Pressure [bar/psi] | Max. Flow (l/min/sfcm) | Product Type/Description | Item | | | | Gauge [If required] | Knurled Nut [If required] | | |
|-----------|--------------------------------|------------------------|--------------------------|-----------|---------------------|----------------------|---------------------|----------------------|---------------------------|--------|--------|
| | | | | 1 | 2 | | 3 | | | 5 | |
| | | | | Main Body | NPT Thread | | BSP Thread | | | | |
| | | | | | Left Port Block Kit | Right Port Block Kit | Left Port Block Kit | Right Port Block Kit | | | |
| 1/8 | 7/102 | 1000/35.3 | LR-...-D-MINI-... | 546452 | 546520 | 546521 | 546495 | 546496 | 546485 | 530025 | |
| | 12/174 | 800/28.3 | | 546430 | | | | | 546479 | | |
| 1/4 | 7/102 | 1600/56.5 | | 546452 | 546522 | 546523 | 546497 | 546498 | 546485 | 530026 | |
| | | 2200/77.7 | LR-...-D-MIDI-... | 546458 | 546536 | 546537 | 546532 | 546533 | 546484 | | |
| | 12/174 | 1500/52.9 | LR-...-D-MINI-... | 546430 | 546522 | 546523 | 546497 | 546498 | 546479 | | 530025 |
| | | 2100/74.2 | LR-...-D-MIDI-... | 546424 | 546536 | 546537 | 546532 | 546533 | 546482 | | |
| 3/8 | 7/102 | 1800/63.6 | LR-...-D-MINI-... | 546452 | 546524 | 546525 | 546499 | 546500 | 546485 | 530025 | |
| | | 3300/116.5 | LR-...-D-MIDI-... | 546458 | 546530 | 546531 | 546501 | 546502 | 546484 | | |
| | 12/174 | 1700/60.0 | LR-...-D-MINI-... | 546430 | 546524 | 546525 | 546499 | 546500 | 546479 | | 530025 |
| | | 3200/113.0 | LR-...-D-MIDI-... | 546424 | 546530 | 546531 | 546501 | 546502 | 546482 | | |
| 1/2 | 7/102 | 4000/141.3 | | 546458 | 546526 | 546527 | 546503 | 546504 | 546484 | 530025 | |
| | | 10700/377.9 | LR-...-D-MAXI-... | 546465 | 546538 | 546539 | 546534 | 546535 | | | |
| | 12/174 | 3500/123.6 | LR-...-D-MIDI-... | 546424 | 546526 | 546527 | 546503 | 546504 | 546482 | | 530026 |
| | | 10500/370.8 | LR-...-D-MAXI-... | 546436 | 546538 | 546539 | 546534 | 546535 | | | |
| 3/4 | 7/102 | 4500/158.9 | LR-...-D-MIDI-... | 546458 | 546528 | 548529 | 546505 | 546506 | 546484 | 530026 | |
| | | 12000/423.8 | LR-...-D-MAXI-... | 546465 | 546490 | 546492 | 546507 | 546508 | | | |
| | 12/174 | 3500/123.8 | LR-...-D-MIDI-... | 546424 | 546528 | 546529 | 546505 | 546506 | 546482 | | 530026 |
| | | 11000/388.5 | LR-...-D-MAXI-... | 546436 | 546490 | 546492 | 546507 | 546508 | | | |
| 1 | 7/102 | 12500/441.4 | | 546465 | 546491 | 546493 | 546509 | 546510 | 546484 | 530025 | |
| | 12/174 | 11500/406.1 | | 546436 | | | | | 546482 | | |

FAST Program – LR Pressure Regulator Selector Guide

LR Pressure Regulators – D Series, NPT



Step 2: If required, select the (optional) Wall Mounting Bracket Kit (Item 4).

| Item | |
|---|---|
| 4 (Not shown) | |
| Product Type/ Description | Wall Mounting Bracket Kit (Optional) For more information on Mounting Brackets, see → Internet hrs |
| LR-...-D-MINI-... | 159 638 |
| LR-...-D-MIDI-... | 159 593 |
| LR-...-D-MAXI-... | |

Step3: Determine the appropriate quantity of each Item.

Ordering Example:

Required: 3/8 port size, 8 bar output pressure, 1600 l/min flow, BSP threads, gauge, wall mounting bracket kit and knurled nut.

| | Item | Part No. | Qty | Description |
|---|---|----------|--------------------|---------------------------|
| Order: | 1 | 546430 | 1 | Main Unit |
| | 2 | 546499 | 1 | Left Port Block Kit |
| | | 546500 | | Right Port Block Kit |
| | 3 | 546479 | 4 | Gauge |
| | 4 | 159638 | 1 | Wall Mounting Bracket Kit |
| 5 | 530026 | 1 | Knurled Nut (MIDI) | |

Product Range and Company Overview

A Complete Suite of Automation Services

Our experienced engineers provide complete support at every stage of your development process, including: conceptualization, analysis, engineering, design, assembly, documentation, validation, and production.



Custom Automation Components
Complete custom engineered solutions



Custom Control Cabinets
Comprehensive engineering support and on-site services



Complete Systems
Shipment, stocking and storage services

The Broadest Range of Automation Components

With a comprehensive line of more than 30,000 automation components, Festo is capable of solving the most complex automation requirements.



Electromechanical
Electromechanical actuators, motors, controllers & drives



Pneumatics
Pneumatic linear and rotary actuators, valves, and air supply



PLCs and I/O Devices
PLC's, operator interfaces, sensors and I/O devices

Supporting Advanced Automation... As No One Else Can!

Festo is a leading global manufacturer of pneumatic and electromechanical systems, components and controls for industrial automation, with more than 12,000 employees in 56 national headquarters serving more than 180 countries. For more than 80 years, Festo has continuously elevated the state of manufacturing with innovations and optimized motion control solutions that deliver higher performing, more profitable automated manufacturing and processing equipment. Our dedication to the advancement of automation extends beyond technology to the education and development of current and future automation and robotics designers with simulation tools, teaching programs, and on-site services.

Quality Assurance, ISO 9001 and ISO 14001 Certifications

Festo Corporation is committed to supply all Festo products and services that will meet or exceed our customers' requirements in product quality, delivery, customer service and satisfaction.

To meet this commitment, we strive to ensure a consistent, integrated, and systematic approach to management that will meet or exceed the requirements of the ISO 9001 standard for Quality Management and the ISO 14001 standard for Environmental Management.



© Copyright 2008, Festo Corporation. While every effort is made to ensure that all dimensions and specifications are correct, Festo cannot guarantee that publications are completely free of any error, in particular typing or printing errors. Accordingly, Festo cannot be held responsible for the same. For Liability and Warranty conditions, refer to our "Terms and Conditions of Sale", available from your local Festo office. All rights reserved. No part of this publication may be reproduced, distributed, or transmitted in any form or by any means, electronic, mechanical, photocopying or otherwise, without the prior written permission of Festo. All technical data subject to change according to technical update.



Printed on recycled paper at New Horizon Graphic, Inc., FSC certified as an environmentally friendly printing plant.

Festo North America

Festo Regional Contact Center

5300 Explorer Drive
Mississauga, Ontario L4W 5G4
Canada

USA Customers:

For ordering assistance,
Call: 1.800.99.FESTO (1.800.993.3786)
Fax: 1.800.96.FESTO (1.800.963.3786)
Email: customer.service@us.festo.com

For technical support,
Call: 1.866.GO.FESTO (1.866.463.3786)
Fax: 1.800.96.FESTO (1.800.963.3786)
Email: product.support@us.festo.com

Canadian Customers:

Call: 1.877.GO.FESTO (1.877.463.3786)
Fax: 1.877.FX.FESTO (1.877.393.3786)
Email: festo.canada@ca.festo.com

USA Headquarters

Festo Corporation
395 Moreland Road
P.O. Box 18023
Hauppauge, NY 11788, USA
www.festo.com/us

USA Sales Offices

Appleton

North 922 Tower View Drive, Suite N
Greenville, WI 54942, USA

Boston

120 Presidential Way, Suite 330
Woburn, MA 01801, USA

Chicago

1441 East Business Center Drive
Mt. Prospect, IL 60056, USA

Dallas

1825 Lakeway Drive, Suite 600
Lewisville, TX 75057, USA

Detroit – Automotive Engineering Center

2601 Cambridge Court, Suite 320
Auburn Hills, MI 48326, USA

New York

395 Moreland Road
Hauppauge, NY 11788, USA

Silicon Valley

4935 Southfront Road, Suite F
Livermore, CA 94550, USA

United States



USA Headquarters, East: Festo Corp., 395 Moreland Road, Hauppauge, NY 11788
Phone: 1.631.435.0800; Fax: 1.631.435.8026;
Email: info@festo-usa.com www.festo.com/us

Canada



Headquarters: Festo Inc., 5300 Explorer Drive, Mississauga, Ontario L4W 5G4
Phone: 1.905.624.9000; Fax: 1.905.624.9001;
Email: festo.canada@ca.festo.com www.festo.ca

Mexico



Headquarters: Festo Pneumatic, S.A., Av. Ceylán 3, Col. Tequesquihuac,
54020 Tlalnepanitla, Edo. de México
Phone: 011 52 [55] 53 21 66 00; Fax: 011 52 [55] 53 21 66 65;
Email: festo.mexico@mx.festo.com www.festo.com/mx

Central USA

Festo Corporation
1441 East Business
Center Drive
Mt. Prospect, IL 60056, USA
Phone: 1.847.759.2600
Fax: 1.847.768.9480



Western USA

Festo Corporation
4935 Southfront Road,
Suite F
Livermore, CA 94550, USA
Phone: 1.925.371.1099
Fax: 1.925.245.1286



Festo Worldwide

Argentina Australia Austria Belarus Belgium Brazil Bulgaria Canada Chile China Colombia Croatia Czech Republic Denmark
Estonia Finland France Germany Great Britain Greece Hong Kong Hungary India Indonesia Iran Ireland Israel Italy Japan Latvia
Lithuania Malaysia Mexico Netherlands New Zealand Norway Peru Philippines Poland Romania Russia Serbia Singapore
Slovakia Slovenia South Africa South Korea Spain Sweden Switzerland Taiwan Thailand Turkey Ukraine United States Venezuela

www.festo.com