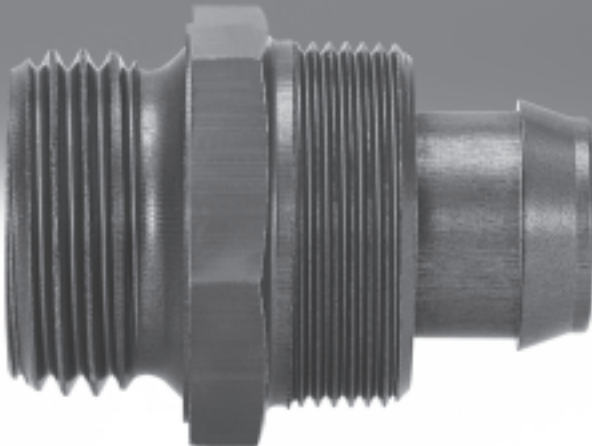


Quick connectors

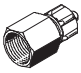


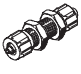

FESTO



Quick connectors

Product range overview

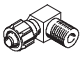

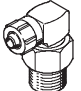
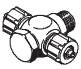
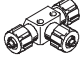

FESTO

Design	Design	Type	Connection D1		Tubing I.D.	→ Page/ Internet
			M thread	G thread		
Straight	Quick connector – Female thread with sealing ring					
		ACK Metal type	–	G $\frac{1}{8}$	3, 4, 6	5
			–	G $\frac{1}{4}$	4, 6	
			–	G $\frac{3}{8}$	6, 9	
			–	G $\frac{1}{2}$	13	
	Quick connector – Male thread with sealing ring					
		CK Metal type	M5	–	3, 4	6
			–	G $\frac{1}{8}$	3, 4, 6	
			–	G $\frac{1}{4}$	4, 6, 9	
			–	G $\frac{3}{8}$	6, 9, 13	
		CK-...-KU Polymer design	–	G $\frac{1}{8}$	3, 4, 6	6
			–	G $\frac{1}{4}$	4, 6, 9	
			–	G $\frac{3}{8}$	6, 9	
			–	G $\frac{1}{2}$	13	
	Bulkhead quick connector – Female thread with sealing ring					
		QCK	M5	–	3	7
			–	G $\frac{1}{8}$	4	
			–	G $\frac{1}{4}$	6	
			–	G $\frac{3}{8}$	9	
	Bulkhead quick connector					
		SCK Metal type	–	–	3, 4, 6, 9	8
SCK-...-KU Polymer design		–	–	3, 4, 6, 9	8	
End cap for plastic tube connectors and barbed connectors						
	CV-PK	–	–	3, 4, 6, 9	9	

Quick connectors

Product range overview





FESTO

Design	Design	Type	Connection D1			Tubing I.D.	→ Page/ Internet	
			M thread	R thread	G thread			
L-shape	Elbow quick connector							
		GCK-...-KU	–	R1/8 R1/4 R3/8	–	4, 6 4, 6 6, 9	10	
	Elbow quick connector, rotatable, with 2 sealing rings							
		LCK Metal type	M5 –	–	– G1/8 G1/4 G3/8 G1/2	3, 4 3, 4, 6 4, 6, 9 6, 9, 13 13	11	
		LCK-...-KU Polymer design	–	–	G1/8 G1/4	4, 6 4, 6	11	
	Elbow quick connector with sealing ring (rotatable 360°)							
		LCKN	M5 –	–	– G1/8 G1/4 G3/8	3, 4 3, 4, 6 4, 6 6	12	
	T-shape	T quick connector, rotatable, with 2 sealing rings						
			TCK Metal type	M5 –	–	– G1/8 G1/4 G3/8 G1/2	3, 4 3, 4, 6 4, 6 6, 9 13	13
			TCK-...-KU Polymer design	–	–	G1/8 G1/4	4, 6 4, 6	13
T-distributor								
		FCK-...-KU	–	–	–	3 4 6 9	14	
Union nut for CK tube connector								
	MCK Metal type	–	–	–	3, 4, 6, 9, 13	15		
	MCK-...-KU Polymer design	–	–	–	3, 4, 6, 9	15		

Quick connectors

Product range overview

FESTO

Design	Design	Type	Connection D1		Tubing I.D.	→ Page/ Internet
			M thread	G thread		
Multiple distributor	Combination hollow bolt VT with ring piece LK					
		VT-...-2 for 2 ring pieces	M5	G $\frac{1}{8}$, G $\frac{1}{4}$, G $\frac{3}{8}$	–	16
		VT-...-3 for 3 ring pieces	M5	G $\frac{1}{8}$, G $\frac{1}{4}$, G $\frac{3}{8}$	–	16
		LK Metal type	–	–	3, 4, 6	16
		LK-...-KU Polymer design	–	–	4, 6	16
	Combination hollow bolt VT with ring piece TK					
		VT-...-2 for 2 ring pieces	M5	G $\frac{1}{8}$, G $\frac{1}{4}$, G $\frac{3}{8}$	–	17
		VT-...-3 for 3 ring pieces	M5	G $\frac{1}{8}$, G $\frac{1}{4}$, G $\frac{3}{8}$	–	17
		TK Metal type	–	–	3, 4, 6	17
		TK-...-KU Polymer design	–	–	4, 6	17

Quick connectors ACK

Technical data

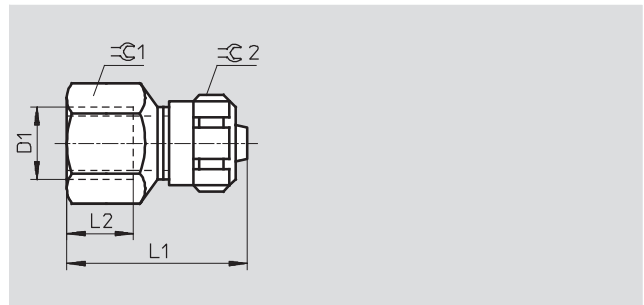
Quick connector ACK

Female thread with sealing ring

Material:

Blue anodised aluminium

Free of copper and PTFE



Dimensions and ordering data									
Connection D1	Nominal size [mm]	Tubing I.D.	L1	L2	⌀C1	⌀C2	Part No.	Type	PU*
G ¹ / ₈	2.4	3	23.9	9	13	8	5664	ACK- ¹ / ₈ -PK-3	10
	3.4	4	27	9	13	12	3714	ACK- ¹ / ₈ -PK-4	10
	5.3	6	27	9	13	14	7842	ACK- ¹ / ₈ -PK-6	10
G ¹ / ₄	3.4	4	30	12	17	12	3713	ACK- ¹ / ₄ -PK-4	10
	5.3	6	30	12	17	14	3712	ACK- ¹ / ₄ -PK-6	10
G ³ / ₈	5.3	6	31	12	19	14	3711	ACK- ³ / ₈ -PK-6	10
	8	9	37.4	15	19	19	3710	ACK- ³ / ₈ -PK-9	1
G ¹ / ₂	12	13	40.2	15	27	24	4099	ACK- ¹ / ₂ -PK-13	1

* Packaging unit quantity

Quick connectors CK

Technical data



Quick connector CK

Male thread with sealing ring

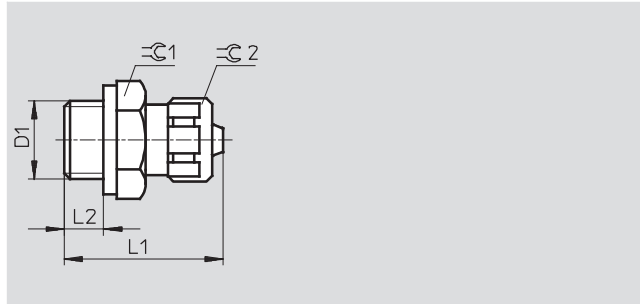
Material:

M thread: Steel, aluminium

G thread: Blue anodised aluminium

Free of copper and PTFE

Certification: Germanischer Lloyd



Quick connector CK...-KU

Male thread with moulded-on sealing ring

ring

Material:

Polyacetate

Free of copper and PTFE

Conforms to RoHS

Pressure range: 0 ... 10 bar

Temperature range: -10 ... +60 °C

Certification: Germanischer Lloyd

Dimensions and ordering data									
Connection	Nominal size	Tubing I.D.	L1	L2	∅C	∅C1	Part No.	Type	PU*
D1	[mm]								
Metal design									
M5	2.0	3	19.3	3.8	7	8	3561	CK-M5-PK-3	10
	2.9	4	21.5	3.8	10	-	3562	CK-M5-PK-4	10
G ¹ / ₈	2.0	3	21.6	4.9	13	8	3563	CK- ¹ / ₈ -PK-3	10
	2.9	4	24.7	4.9	13	12	2027	CK- ¹ / ₈ -PK-4	10
	4.9	6	24.8	4.9	13	14	2028	CK- ¹ / ₈ -PK-6	10
G ¹ / ₄	2.9	4	27.2	5.8	17	12	2029	CK- ¹ / ₄ -PK-4	10
	4.9	6	27.3	5.8	17	14	2030	CK- ¹ / ₄ -PK-6	10
	8	9	30.6	5.8	17	19	2031	CK- ¹ / ₄ -PK-9	10
G ³ / ₈	4.9	6	28.3	6.8	19	14	2032	CK- ³ / ₈ -PK-6	10
	8	9	31.6	6.8	19	19	2033	CK- ³ / ₈ -PK-9	10
	11.7	13	33.2	6.8	24	24	4097	CK- ³ / ₈ -PK-13	10
G ¹ / ₂	11.7	13	34.7	8.5	24	24	4098	CK- ¹ / ₂ -PK-13	1
Polymer design									
G ¹ / ₈	2.4	3	22.2	6.5	13	8	6253	CK- ¹ / ₈ -PK-3-KU	10
	3.4	4	25.3	6.5	13	12	6254	CK- ¹ / ₈ -PK-4-KU	10
	4.4	6	25.4	6.5	13	14	6255	CK- ¹ / ₈ -PK-6-KU	10
G ¹ / ₄	3.4	4	28.5	8.5	17	12	6256	CK- ¹ / ₄ -PK-4-KU	10
	5.3	6	28.6	8.5	17	14	6257	CK- ¹ / ₄ -PK-6-KU	10
	7.3	9	31.9	8.5	17	19	6258	CK- ¹ / ₄ -PK-9-KU	10
G ³ / ₈	5.3	6	31	10.5	19	14	6460	CK- ³ / ₈ -PK-6-KU	10
	8	9	34.5	10.5	19	19	6468	CK- ³ / ₈ -PK-9-KU	10

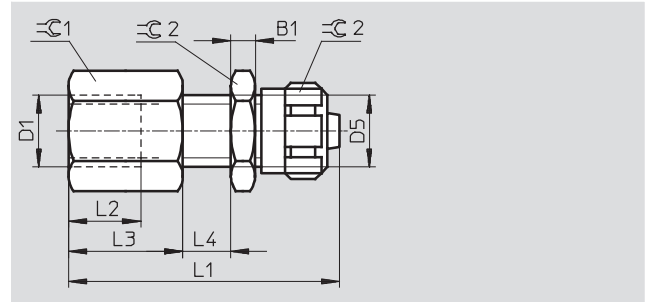
* Packaging unit quantity

Bulkhead quick connectors QCK

Technical data

Bulkhead quick connector QCK
Female thread with sealing ring

Material:
Blue anodised aluminium/steel
Free of copper and PTFE



Dimensions and ordering data														
Connection	Nominal size	Tubing I.D.	B1	D5	L1	L2	L3	L4	∅C1	∅C2	∅C3	Part No.	Type	PU*
D1	[mm]							max.						
M5	2.4	3	3.2	M6x0.75	31	6	10	8	7	8	10	9424	QCK-M5-PK-3-B	1
G1/8	3.4	4	3.5	M10x1	40	8	13.5	10	13	12	13	9425	QCK-1/8-PK-4-B	1
G1/4	5.3	6	4	M12x1	45	12	18	10	17	14	17	9426	QCK-1/4-PK-6-B	1
G3/8	8	9	5	M16x1	50	12	18.6	10	19	19	22	9427	QCK-3/8-PK-9-B	1

* Packaging unit quantity

Bulkhead quick connectors SCK

Technical data

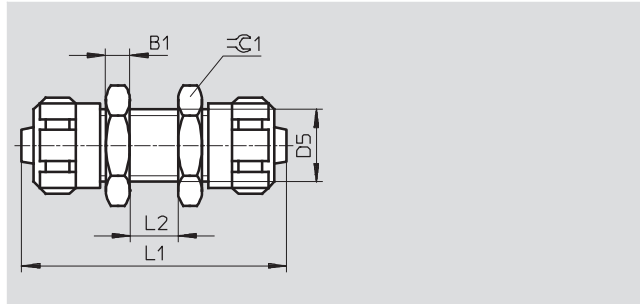
Bulkhead quick connector SCK

Material:
Blue anodised aluminium/steel
Free of copper and PTFE

Bulkhead quick connector SCK-...-KU with moulded-on sealing ring

Material:
Polyacetate
Free of copper and PTFE
Conforms to RoHS

Pressure range: 0 ... 10 bar
Temperature range: -10 ... +60 °C



Dimensions and ordering data									
Nominal size	Tubing I.D.	B1	D5	L1	L2 max.	☉1	Part No.	Type	PU*
[mm]									
Aluminium design									
2.4	3	3.2	M6x0.75	34	8	10	9420	SCK-PK-3	1
3.4	4	3.5	M10x1	43	10	13	9421	SCK-PK-4	1
5.3	6	4	M12x1	44	10	17	9422	SCK-PK-6	1
8	9	5	M16x1	53	10	22	9423	SCK-PK-9	1
Polymer design									
2.4	3	5	M10x1 ¹⁾	41	10	13	9387	SCK-PK-3-KU	10
3.4	4	5	M10x1	46		13	9388	SCK-PK-4-KU	10
5.3	6	6	M12x1	48		17	9389	SCK-PK-6-KU	10
8	9	7	M16x1	57		22	9390	SCK-PK-9-KU	1

* Packaging unit quantity

1) Installation diameter varies from aluminium version

End caps CV

Technical data

End cap CV

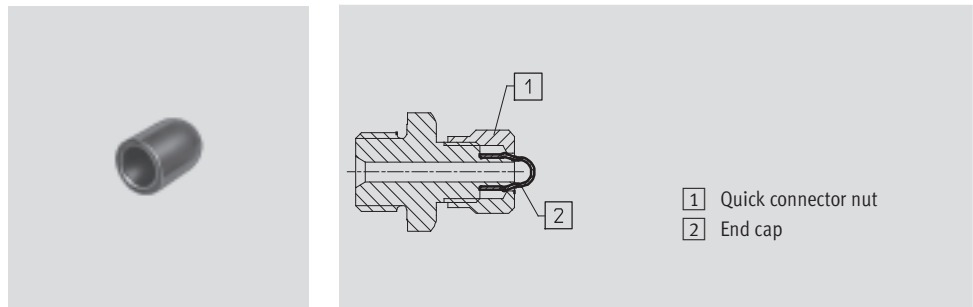
for sealing barbed fittings and connectors for polymer tubing

Material:

Polyurethane

Free of copper and PTFE

Conforms to RoHS



- 1 Quick connector nut
- 2 End cap

Dimensions and ordering data				
Tubing I.D.	Weight/piece [g]	Part No.	Type	PU*
3	0.001	6213	CV-PK-3-B	10
4	0.001	6214	CV-PK-4-B	10
6	0.001	6215	CV-PK-6-B	10
9	0.002	6216	CV-PK-9-B	10

Operating conditions (permissible static pressure)								
Type	CV-PK-3-B ... CV-PK-6-B						CV-PK-9-B	
Operating pressure [bar]	10	10	8	7	6	6	4	
Ambient temperature [°C]	-35	+20	+40	+60	+80	+60	+80	

* Packaging unit quantity

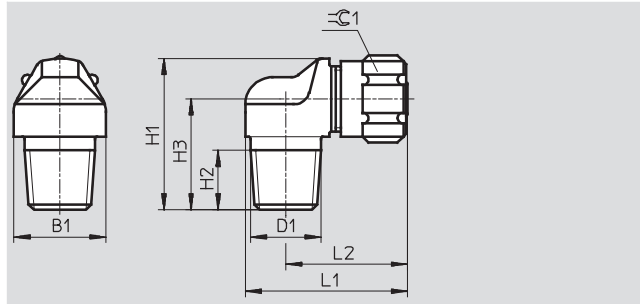
Elbow quick connectors GCK

Technical data

Elbow quick connector
GCK-...-KU

Material:
Polyacetate
Free of copper and PTFE
Conforms to RoHS

Pressure range: 0 ... 10 bar
Temperature range: -10 ... +60 °C



Dimensions and ordering data												
Connection D1	Nominal size [mm]	Tubing I.D.	B1	H1	H2	H3	L1	L2	$\varnothing C1$	Part No.	Type	PU*
R1/8	2.9	4	13	22.5	8	16.5	26.5	20.5	20.5	6267	GCK-1/8-PK-4-KU	10
	4.9	6	17	24.5	8	17.5	28.5	21.5	21.5	6268	GCK-1/8-PK-6-KU	10
R1/4	2.9	4	17	25.5	11	19.5	30	22.5	22.5	6269	GCK-1/4-PK-4-KU	10
	4.9	6	17	27.5	11	20.5	30	22.5	22.5	6270	GCK-1/4-PK-6-KU	10
R3/8	4.9	6	19	28.5	10.5	21	34	24.5	24.5	6271	GCK-3/8-PK-6-KU	10
	8	9	19	33.5	10.5	23.5	37.2	27.7	27.7	6272	GCK-3/8-PK-9-KU	10

* Packaging unit quantity

L quick connectors LCK

Technical data

FESTO

L quick connector LCK
rotatable with 2 sealing rings

Materials:
Housing
LCK: Die-cast zinc
LCK-...-KU: POM

L quick connector LCK-...-KU
rotatable with moulded-on sealing edge

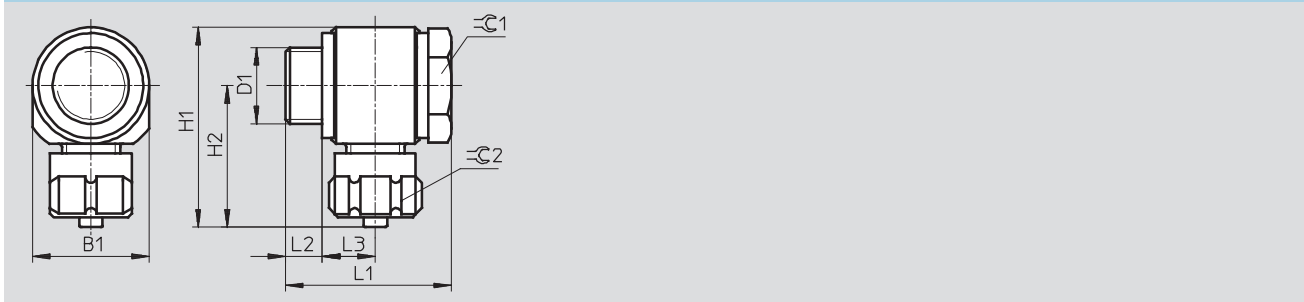
Note on materials:
RoHS-compliant
Free of copper and PTFE



General technical data		
Type	LCK	LCK-...-KU
Mounting position	Any	
Type of seal on threaded plug	Sealing ring	Sealing edge

Operating and environmental conditions		
Operating pressure [bar]	0 ... +16	
Ambient temperature [°C]	-10 ... +60	

Dimensions Download CAD Data → www.festo.com/us/cad



Ordering data													
Pneumatic connection		Nominal size [mm]	B1	H1	H2	L1	L2	L3	∅C1	∅C2	Part No.	Type	PU ²⁾
Die-cast zinc design													
M5	PK-3 ¹⁾	2.4	10	21.1	16.1	17.2	3.8	5.2	7	8	4468	LCK-M5-PK-3	10
	PK-4 ¹⁾	2.4	11	21.1	16.1	18	3.8	5.6	7	8	4562	LCK-M5-PK-4	10
G ¹ / ₈	PK-3 ¹⁾	2	16	27.1	19.1	21.1	4.9	6.1	13	8	4136	LCK- ¹ / ₈ -PK-3	10
	PK-4 ¹⁾	2.9	16	30.2	22.2	27.1	4.9	9.1	13	12	4469	LCK- ¹ / ₈ -PK-4	10
	PK-6 ¹⁾	4.9	16	30.3	22.3	27.1	4.9	9.1	13	14	4470	LCK- ¹ / ₈ -PK-6	10
G ¹ / ₄	PK-4 ¹⁾	2.9	20	34.2	24.2	28.1	5.7	9.2	17	12	4471	LCK- ¹ / ₄ -PK-4	10
	PK-6 ¹⁾	4.9	20	34.3	24.3	28.1	5.5	9.3	17	14	4472	LCK- ¹ / ₄ -PK-6	10
	PK-9 ¹⁾	8	20	37.6	27.6	33.3	5.7	11.8	17	19	11452	LCK- ¹ / ₄ -PK-9	10
G ³ / ₈	PK-6 ¹⁾	4.9	25	39.3	26.8	30.3	6.7	9.3	22	14	4473	LCK- ³ / ₈ -PK-6	10
	PK-9 ¹⁾	8	25	42.6	30.1	35.3	6.7	11.8	22	19	4474	LCK- ³ / ₈ -PK-9	10
G ¹ / ₂	PK-13 ¹⁾	11.7	30	49.2	34.2	46.6	7.9	16.85	27	24	4100	LCK- ¹ / ₂ -PK-13	1
Polymer design													
G ¹ / ₈	PK-4 ¹⁾	3.4	16	30.5	22.5	27.5	7.1	8.25	13	12	6259	LCK- ¹ / ₈ -PK-4-KU	10
	PK-6 ¹⁾	5.3	16	30.5	22.5	27.5	7.1	8.25	13	14	6260	LCK- ¹ / ₈ -PK-6-KU	10
G ¹ / ₄	PK-4 ¹⁾	3.4	20	34.5	24.5	28.5	8.1	8.25	17	12	6261	LCK- ¹ / ₄ -PK-4-KU	10
	PK-6 ¹⁾	5.3	20	34.5	24.5	28.5	8.1	8.25	17	14	6262	LCK- ¹ / ₄ -PK-6-KU	10

1) With union nut

2) Packaging unit quantity

L quick connectors LCKN

Technical data

FESTO

L quick connector LCKN
rotatable with sealing ring OL

Materials:
Housing: Die-cast zinc

Note on materials:
RoHS-compliant

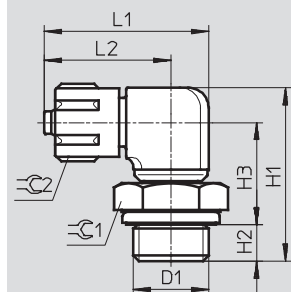


General technical data	
Mounting position	Any
Type of seal on threaded plug	Sealing ring

Operating and environmental conditions	
Operating pressure [bar]	-0.9 ... +16
Operating medium	Compressed air in accordance with ISO 8573-1:2010 [7:-:-]
Note on operating/pilot medium	Operation with lubricated medium possible (in which case lubricated operation will always be required)
Ambient temperature [°C]	-20 ... +80
Corrosion resistance class CRC ¹⁾	2

1) Corrosion resistance class 2 according to Festo standard 940 070
Components subject to moderate corrosion stress. Externally visible parts with primarily decorative surface requirements which are in direct contact with a normal industrial environment or media such as coolants or lubricating agents.

Dimensions Download CAD Data → www.festo.com/us/cad



Note
Note: Cannot be used as a rotary distributor.

Ordering data												
Pneumatic connection D1		Nominal size [mm]	H1	H2	H3	L1	L2	∅C1	∅C2	Part No.	Type	PU ²⁾
M5	PK-3 ¹⁾	1.7	22.2	3.55	15.15	20.1	16.1	7	8	164995	LCKN-M5-PK-3	10
	PK-4 ¹⁾	2.6	24.3	3.55	15.75	23.2	19.2	7	-	164996	LCKN-M5-PK-4	10
G ¹ / ₈	PK-3 ¹⁾	1.7	24.6	4.7	15.9	25.4	18.9	13	8	164997	LCKN- ¹ / ₈ -PK-3	10
	PK-4 ¹⁾	2.6	27	4.7	16.3	28.5	22	13	12	164998	LCKN- ¹ / ₈ -PK-4	10
	PK-6 ¹⁾	4.6	30.3	4.7	18.6	28.6	22.1	13	14	164999	LCKN- ¹ / ₈ -PK-6	10
G ¹ / ₄	PK-4 ¹⁾	2.6	29.5	5.8	17.7	28.5	22	17	12	165000	LCKN- ¹ / ₄ -PK-4	10
	PK-6 ¹⁾	4.6	32.8	5.8	20.0	28.6	22.1	17	14	165001	LCKN- ¹ / ₄ -PK-6	10
G ³ / ₈	PK-6 ¹⁾	4.6	33.8	6.0	20.8	28.6	22.1	19	14	165002	LCKN- ³ / ₈ -PK-6	1

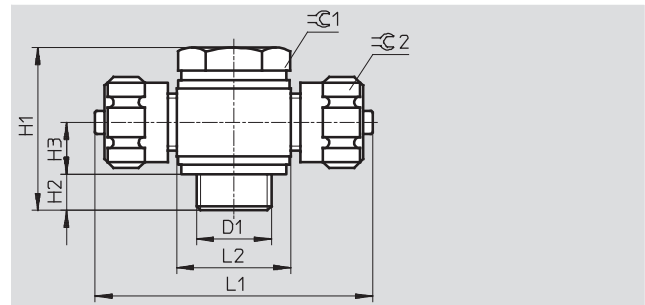
1) With union nut
2) Packaging unit quantity

T quick connectors TCK

Technical data

T quick connector TCK rotatable

Material:
Die-cast zinc with 2 sealing rings
Thread G $\frac{3}{8}$ and G $\frac{1}{2}$ aluminium, blue
anodised
Free of copper and PTFE



T quick connector TCK-...-KU rotatable with moulded-on sealing ring

Material:
Polyacetate
Free of copper and PTFE

Pressure range: 0 ... 10 bar
Temperature range: -10 ... +60 °C

Dimensions and ordering data												
Connection D1	Nominal size [mm]	Tubing I.D.	H1	H2	H3	L1	L2	⌀C1	⌀C2	Part No.	Type	PU*
Die-cast zinc design												
M5	2	3	17.2	3.8	5.2	32.2	10	7	8	4484	TCK-M5-PK-3	10
	2	4	18	3.8	5.6	39.4	11	7	8	4563	TCK-M5-PK-4	10
G $\frac{3}{8}$	2	3	21.1	4.9	6.1	38.2	16	13	8	4137	TCK- $\frac{3}{8}$ -PK-3	10
	2.9	4	27.1	4.9	9.1	44.4	16	13	12	4485	TCK- $\frac{3}{8}$ -PK-4	10
	4.9	6	27.1	4.9	9.1	44.6	16	13	14	4486	TCK- $\frac{3}{8}$ -PK-6	10
G $\frac{1}{4}$	2.9	4	28.1	5.7	9.2	48.4	20	17	12	4487	TCK- $\frac{1}{4}$ -PK-4	10
	4.9	6	28.1	5.5	9.3	48.6	20	17	14	4488	TCK- $\frac{1}{4}$ -PK-6	10
Aluminium design												
G $\frac{3}{8}$	4.9	6	30.3	6.7	9.3	53.6	25	22	14	4489	TCK- $\frac{3}{8}$ -PK-6	1
	8	9	35.3	6.7	11.8	60.2	25	22	14	4490	TCK- $\frac{3}{8}$ -PK-9	1
G $\frac{1}{2}$	11.7	13	46.6	7.9	16.9	68.4	30	27	24	4101	TCK- $\frac{1}{2}$ -PK-13	1
Polymer design												
G $\frac{3}{8}$	3.4	4	27.5	7.1	8.25	45	16	13	12	6263	TCK- $\frac{3}{8}$ -PK-4-KU	10
	5.3	6	27.5	7.1	8.25	45	16	13	14	6264	TCK- $\frac{3}{8}$ -PK-6-KU	10
G $\frac{1}{4}$	3.4	4	28.5	8.1	8.25	49	20	17	12	6265	TCK- $\frac{1}{4}$ -PK-4-KU	10
	5.3	6	28.5	8.1	8.25	49	20	17	14	6266	TCK- $\frac{1}{4}$ -PK-6-KU	10

* Packaging unit quantity

T quick connectors FCK

Technical data

FESTO

T-distributor FCK-...-KU

Material:

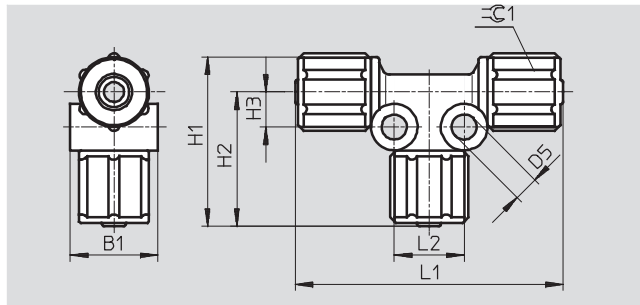
Polymer

Free of copper and PTFE

Conforms to RoHS

Pressure range: 0 ... 10 bar

Temperature range: -10 ... +60 °C



Dimensions and ordering data												
Tubing I.D.	Nominal size [mm]	B1	D5	H1	H2	H3	L1	L2	$\approx C1$	Part No.	Type	PU*
3	2.4	11	4.3	23.8	19.8	5	39.6	10	8	6273	FCK-3-PK-3-KU	10
4	3.4	15	4.3	30.2	24.2	6	48.4	12	12	6274	FCK-3-PK-4-KU	10
6	5.3	18	4.3	31.2	24.2	6	48.4	12	14	6275	FCK-3-PK-6-KU	10
9	8	22	4.3	38.3	28.8	7.1	56.4	13	19	6276	FCK-3-PK-9-KU	10

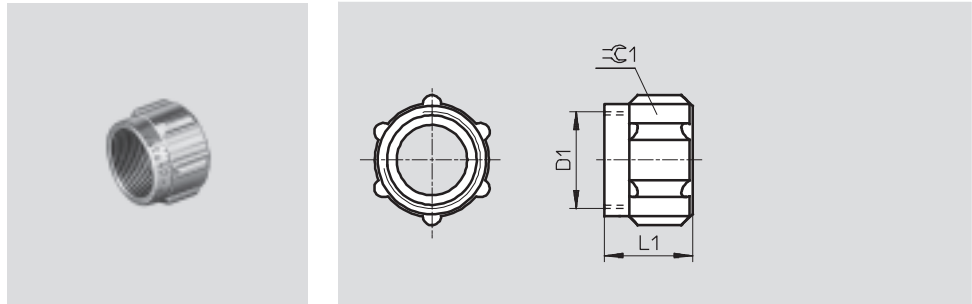
* Packaging unit quantity

Union nuts MCK

Technical data

Union nut MCK
for tube connectors

Material:
Blue anodised aluminium
Free of copper and PTFE
Conforms to RoHS



Union nut MCK-...-KU
for tube connectors

Material:
Polymer design
Free of copper and PTFE
Conforms to RoHS

Dimensions and ordering data						
Tubing I.D.	D1	L1	≈C1	Part No.	Type	PU*
Aluminium design						
3	M6x0.75	8.5	8	205254	MCK-PK-3	1
4	M10x1	11	12	2965	MCK-PK-4 ¹⁾	1
4	M8x1	9.5	–	205257	MCK-PK-4-R ²⁾	1
6	M12x1	11	14	2966	MCK-PK-6	1
9	M16x1	14.4	19	2967	MCK-PK-9	1
13	M22x1	18	24	206504	MCK-PK-13	1
Polymer design						
3	M6x0.75	9.5	8	211289	MCK-PK-3-KU	1
4	M10x1	12.5	12	211291	MCK-PK-4-KU ¹⁾	1
6	M12x1	12.5	14	211292	MCK-PK-6-KU	1
9	M16x1	16	19	211293	MCK-PK-9-KU	1

* Packaging unit quantity

- 1) except for connectors CK-M5-PK-4, LCK-M5-PK-4, TCK-M5-PK-4
- 2) for connectors CK-M5-PK-4, LCK-M5-PK-4, TCK-M5-PK-4

Multiple distributors

Technical data

FESTO

Hollow bolt VT with ring piece LK
(one outlet connection)

Certification:
Ring piece LK: Germanischer Lloyd

Materials:
Hollow bolt: Galvanised steel
Ring piece LK: Die-cast zinc
Ring piece LK-...-KU: Polymer

Note on materials:
Conforms to RoHS



Ordering data				Dimensions → 18			
Hollow bolt				Ring piece			
Pneumatic connection	No. of ring pieces	Part No.	Type	Pneumatic connection	Part No.	Type	PU*
Die-cast zinc design							
M5	2	206145	VT-M5-2 ³⁾	PK-3 with union nut	4475	LK-M5-PK-3 ¹⁾	10
	3	4594	VT-M5-3 ³⁾		4597	LK-1/8-PK-3 ¹⁾	10
G1/8	2	4593	VT-1/8-2-PK-3 ³⁾	PK-3 with union nut	4476	LK-1/8-PK-4 ¹⁾	10
	3	4595	VT-1/8-3-PK-3 ³⁾		4477	LK-1/8-PK-6 ¹⁾	10
G1/8	2	206146	VT-1/8-2 ³⁾	PK-4 with union nut	4478	LK-1/4-PK-4 ¹⁾	10
	3	4596	VT-1/8-3 ³⁾		4479	LK-1/4-PK-6 ¹⁾	10
G1/8	2	206146	VT-1/8-2 ³⁾	PK-6 with union nut	4480	LK-3/8-PK-6 ¹⁾	1
	3	4596	VT-1/8-3 ³⁾				
G1/4	2	206147	VT-1/4-2 ³⁾	PK-4 with union nut			
	3	2335	VT-1/4-3 ³⁾				
G1/4	2	206147	VT-1/4-2 ³⁾	PK-6 with union nut			
	3	2335	VT-1/4-3 ³⁾				
G3/8	2	206148	VT-3/8-2 ³⁾	PK-6 with union nut			
	3	2336	VT-3/8-3 ³⁾				
Polymer design							
G1/8	2	206146	VT-1/8-2 ³⁾	PK-4 with union nut	6280	LK-1/8-PK-4-KU ^{2) 3)}	10
	3	4596	VT-1/8-3 ³⁾		6281	LK-1/8-PK-6-KU ^{2) 3)}	10
G1/8	2	206146	VT-1/8-2 ³⁾	PK-6 with union nut	6282	LK-1/4-PK-4-KU ^{2) 3)}	10
	3	4596	VT-1/8-3 ³⁾		6283	LK-1/4-PK-6-KU ^{2) 3)}	10
G1/4	2	206147	VT-1/4-2 ³⁾	PK-4 with union nut			
	3	2335	VT-1/4-3 ³⁾				
G1/4	2	206147	VT-1/4-2 ³⁾	PK-6 with union nut			
	3	2335	VT-1/4-3 ³⁾				

* Packaging unit quantity

- 1) with 2 sealing rings
- 2) with moulded-on sealing ring, pressure range 0 ... 10 bar, temperature range -10 ... +60 °C
- 3) Free of copper and PTFE

Multiple distributors

Technical data

FESTO

Hollow bolt VT with ring piece TK
(2 outlet connections)

Certification:
Ring piece TK: Germanischer Lloyd

Materials:
Hollow bolt: Galvanised steel
Ring piece TK: Die-cast zinc
Ring piece TK-...-KU: Polymer

Note on materials:
Free of copper and PTFE



VT



TK

Ordering data				Dimensions → 18			
Hollow bolt				Ring piece			
Pneumatic connection	No. of ring pieces	Part No.	Type	Pneumatic connection	Part No.	Type	PU*
Die-cast zinc design							
M5	2	206145	VT-M5-2 ³⁾	PK-3 with union nut	4491	TK-M5-PK-3 ¹⁾	10
	3	4594	VT-M5-3 ³⁾		4598	TK-1/8-PK-3 ¹⁾	
G1/8	2	4593	VT-1/8-2-PK-3 ³⁾	PK-3 with union nut	4598	TK-1/8-PK-3 ¹⁾	10
	3	4595	VT-1/8-3-PK-3 ³⁾				
	2	206146	VT-1/8-2 ³⁾	PK-4 with union nut	4492	TK-1/8-PK-4 ¹⁾	10
	3	4596	VT-1/8-3 ³⁾				
	2	206146	VT-1/8-2 ³⁾	PK-6 with union nut	4493	TK-1/8-PK-6 ¹⁾	10
	3	4596	VT-1/8-3 ³⁾				
G1/4	2	206147	VT-1/4-2 ³⁾	PK-4 with union nut	4494	TK-1/4-PK-4 ¹⁾	10
	3	2335	VT-1/4-3 ³⁾				
	2	206147	VT-1/4-2 ³⁾	PK-6 with union nut	4495	TK-1/4-PK-6 ¹⁾	10
	3	2335	VT-1/4-3 ³⁾				
G3/8	2	206148	VT-3/8-2 ³⁾	PK-6 with union nut	4496	TK-3/8-PK-6 ¹⁾	1
	3	2336	VT-3/8-3 ³⁾				
Polymer design							
G1/8	2	206146	VT-1/8-2 ³⁾	PK-4 with union nut	6284	TK-1/8-PK-4-KU ^{2) 3)}	10
	3	4596	VT-1/8-3 ³⁾				
	2	206146	VT-1/8-2 ³⁾	PK-6 with union nut	6285	TK-1/8-PK-6-KU ^{2) 3)}	10
	3	4596	VT-1/8-3 ³⁾				
G1/4	2	206147	VT-1/4-2 ³⁾	PK-4 with union nut	6286	TK-1/4-PK-4-KU ^{2) 3)}	10
	3	2335	VT-1/4-3 ³⁾				
	2	206147	VT-1/4-2 ³⁾	PK-6 with union nut	6287	TK-1/4-PK-6-KU ^{2) 3)}	10
	3	2335	VT-1/4-3 ³⁾				

* Packaging unit quantity

1) with 2 sealing rings

2) with moulded-on sealing ring, pressure range 0 ... 10 bar, temperature range -10 ... +60 °C

3) Conforms to RoHS

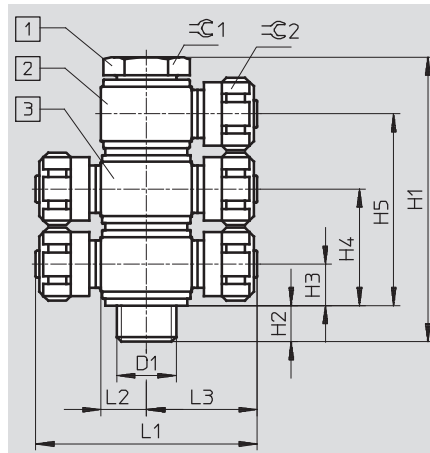
Multiple distributors

Technical data

Multiple distributor

consisting of:

- Hollow bolt VT and ring piece LK
→ 16
- or
- Hollow bolt VT and ring piece TK
→ 17



- 1 Hollow bolt VT
- 2 Ring piece LK
- 3 Ring piece TK

Dimensions													
Connection D1	Hollow bolt Type	Ring piece Type	H1	H2	H3	H4	H5	L1	L2	L3	⌀C1	⌀C2	
M5	VT-M5-2	LK-M5-PK-3	27.3	4	5.2	15.1	-	-	5	16.1	7	8	
		TK-M5-PK-3						32.2	-				
	VT-M5-3	LK-M5-PK-3	37.1	3.9	5.2	15.1	25	-	5	16.1	7	8	
		TK-M5-PK-3						32.2	-				
G3/8	VT-1/8-2-PK-3	LK-1/8-PK-3	32.7	5.9	6.1	16.7	-	-	8	19.1	13	8	
		TK-1/8-PK-3						38.2	-				
	VT-1/8-3-PK-3	LK-1/8-PK-3	43.3	5.9	6.1	16.7	27.3	-	8	19.1	13	8	
		TK-1/8-PK-3						38.2	-				
	VT-1/8-2	LK-1/8-PK-4	44.8	6	9.1	25.7	-	-	8	22.2	13	12	
								TK-1/8-PK-4	44.4				-
		LK-1/8-PK-6						-	8	22.3			14
								TK-1/8-PK-6	44.6				
	VT-1/8-3	LK-1/8-PK-4	61.2	5.8	9.1	25.7	42.3	-	8	22.2	13	12	
								TK-1/8-PK-4	44.4				-
		LK-1/8-PK-6						-	8	22.3			14
								TK-1/8-PK-6	44.6				
G1/4	VT-1/4-2	LK-1/4-PK-4	45.2	6.6	9.2	25.4	-	-	10	24.2	17	12	
				TK-1/4-PK-4	48.4	-							
		LK-1/4-PK-6		6.2	9.3	25.7	-	10	24.3	14			
				TK-1/4-PK-6	48.6	-							
	VT-1/4-3	LK-1/4-PK-4	62.5	6.7	9.2	25.4	41.6	-	10	24.2	17	12	
				TK-1/4-PK-4	48.4	-							
		LK-1/4-PK-6		6.1	9.3	25.7	42.1	-	10	24.3		14	
				TK-1/4-PK-6	48.6	-							
G3/8	VT-3/8-2	LK-3/8-PK-6	47.5	7.5	9.3	25.7	-	-	12.5	26.8	22	14	
		TK-3/8-PK-6						53.6	-				
	VT-3/8-3	LK-3/8-PK-6	63.9	7.5	9.3	25.7	42.1	-	12.5	26.8	22	14	
		TK-3/8-PK-6						53.6	-				

Product Range and Company Overview

A Complete Suite of Automation Services

Our experienced engineers provide complete support at every stage of your development process, including: conceptualization, analysis, engineering, design, assembly, documentation, validation, and production.



Custom Automation Components
Complete custom engineered solutions



Custom Control Cabinets
Comprehensive engineering support and on-site services



Complete Systems
Shipment, stocking and storage services

The Broadest Range of Automation Components

With a comprehensive line of more than 30,000 automation components, Festo is capable of solving the most complex automation requirements.



Electromechanical
Electromechanical actuators, motors, controllers & drives



Pneumatics
Pneumatic linear and rotary actuators, valves, and air supply



PLCs and I/O Devices
PLC's, operator interfaces, sensors and I/O devices

Supporting Advanced Automation... As No One Else Can!

Festo is a leading global manufacturer of pneumatic and electromechanical systems, components and controls for industrial automation, with more than 12,000 employees in 56 national headquarters serving more than 180 countries. For more than 80 years, Festo has continuously elevated the state of manufacturing with innovations and optimized motion control solutions that deliver higher performing, more profitable automated manufacturing and processing equipment. Our dedication to the advancement of automation extends beyond technology to the education and development of current and future automation and robotics designers with simulation tools, teaching programs, and on-site services.

Quality Assurance, ISO 9001 and ISO 14001 Certifications

Festo Corporation is committed to supply all Festo products and services that will meet or exceed our customers' requirements in product quality, delivery, customer service and satisfaction.

To meet this commitment, we strive to ensure a consistent, integrated, and systematic approach to management that will meet or exceed the requirements of the ISO 9001 standard for Quality Management and the ISO 14001 standard for Environmental Management.



© Copyright 2008, Festo Corporation. While every effort is made to ensure that all dimensions and specifications are correct, Festo cannot guarantee that publications are completely free of any error, in particular typing or printing errors. Accordingly, Festo cannot be held responsible for the same. For Liability and Warranty conditions, refer to our "Terms and Conditions of Sale", available from your local Festo office. All rights reserved. No part of this publication may be reproduced, distributed, or transmitted in any form or by any means, electronic, mechanical, photocopying or otherwise, without the prior written permission of Festo. All technical data subject to change according to technical update.



Printed on recycled paper at New Horizon Graphic, Inc., FSC certified as an environmentally friendly printing plant.

Festo North America

Festo Regional Contact Center

5300 Explorer Drive
Mississauga, Ontario L4W 5G4
Canada

USA Customers:

For ordering assistance,

Call: 1.800.99.FESTO (1.800.993.3786)

Fax: 1.800.96.FESTO (1.800.963.3786)

Email: customer.service@us.festo.com

For technical support,

Call: 1.866.GO.FESTO (1.866.463.3786)

Fax: 1.800.96.FESTO (1.800.963.3786)

Email: product.support@us.festo.com

Canadian Customers:

Call: 1.877.GO.FESTO (1.877.463.3786)

Fax: 1.877.FX.FESTO (1.877.393.3786)

Email: festo.canada@ca.festo.com

USA Headquarters

Festo Corporation
395 Moreland Road
P.O. Box 18023
Hauppauge, NY 11788, USA
www.festo.com/us

USA Sales Offices

Appleton

North 922 Tower View Drive, Suite N
Greenville, WI 54942, USA

Boston

120 Presidential Way, Suite 330
Woburn, MA 01801, USA

Chicago

1441 East Business Center Drive
Mt. Prospect, IL 60056, USA

Dallas

1825 Lakeway Drive, Suite 600
Lewisville, TX 75057, USA

Detroit – Automotive Engineering Center

2601 Cambridge Court, Suite 320
Auburn Hills, MI 48326, USA

New York

395 Moreland Road
Hauppauge, NY 11788, USA

Silicon Valley

4935 Southfront Road, Suite F
Livermore, CA 94550, USA

United States



USA Headquarters, East: Festo Corp., 395 Moreland Road, Hauppauge, NY 11788

Phone: 1.631.435.0800; Fax: 1.631.435.8026;

Email: info@festo-usa.com

www.festo.com/us

Canada



Headquarters: Festo Inc., 5300 Explorer Drive, Mississauga, Ontario L4W 5G4

Phone: 1.905.624.9000; Fax: 1.905.624.9001;

Email: festo.canada@ca.festo.com

www.festo.ca

Mexico



Headquarters: Festo Pneumatic, S.A., Av. Ceylán 3, Col. Tequesquahuac,
54020 Tlalneantla, Edo. de México

Phone: 011 52 [55] 53 21 66 00; Fax: 011 52 [55] 53 21 66 65;

Email: festo.mexico@mx.festo.com

www.festo.com/mx

Central USA

Festo Corporation
1441 East Business
Center Drive
Mt. Prospect, IL 60056, USA
Phone: 1.847.759.2600
Fax: 1.847.768.9480



Western USA

Festo Corporation
4935 Southfront Road,
Suite F
Livermore, CA 94550, USA
Phone: 1.925.371.1099
Fax: 1.925.245.1286



Festo Worldwide

Argentina Australia Austria Belarus Belgium Brazil Bulgaria Canada Chile China Colombia Croatia Czech Republic Denmark
Estonia Finland France Germany Great Britain Greece Hong Kong Hungary India Indonesia Iran Ireland Israel Italy Japan Latvia
Lithuania Malaysia Mexico Netherlands New Zealand Norway Peru Philippines Poland Romania Russia Serbia Singapore
Slovakia Slovenia South Africa South Korea Spain Sweden Switzerland Taiwan Thailand Turkey Ukraine United States Venezuela

www.festo.com