

Sensor interface CASM



Sensor interface CASM

Overview

FESTO

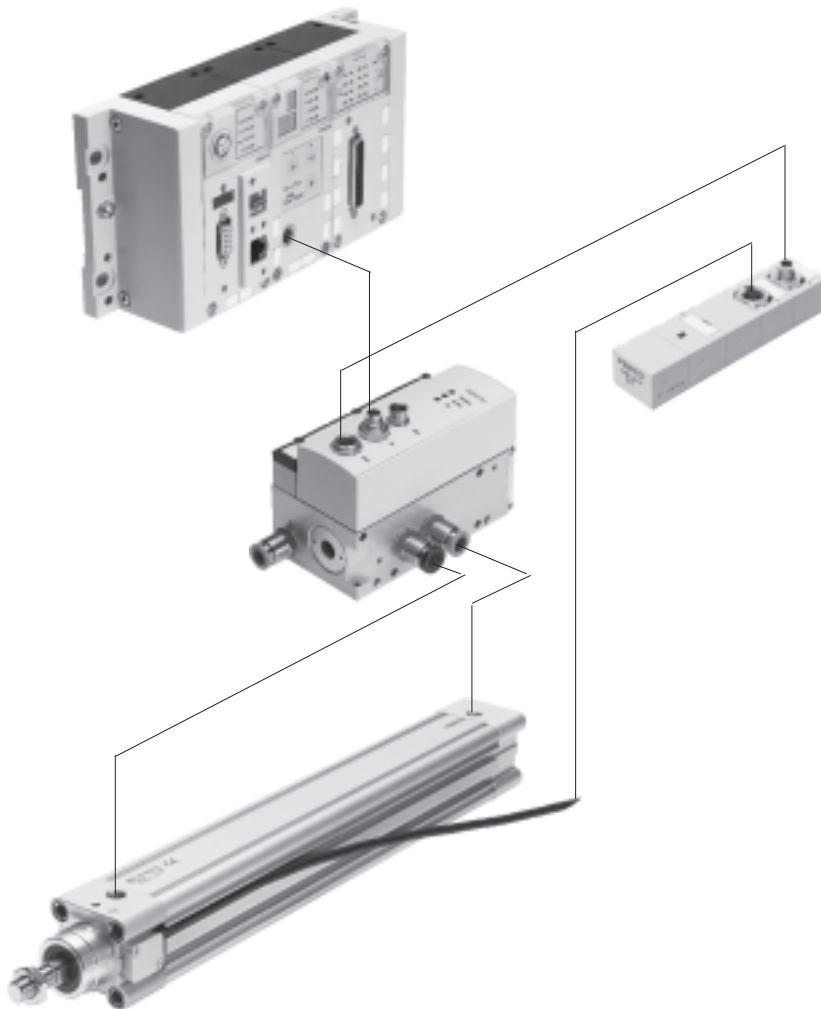
Servo-pneumatic drive technology

Positioning and Soft Stop applications as an integral component of the valve terminal CPX – the modular peripheral system for decentralised automation tasks.

The modular design means that valves, digital inputs and outputs, positioning modules and end-position controllers, as appropriate to the application, can be combined in almost any way on the CPX terminal.

Advantages:

- Pneumatics and electrics – control and positioning on one platform
- Innovative positioning technology – piston rod drives, rodless drives, rotary drives
- Actuation via fieldbus
- Remote maintenance, remote diagnostics, web server, SMS and e-mail alert are all possible via TCP/IP
- Modules can be quickly exchanged and expanded without altering the wiring



Sensor interface CASM

Key features

FESTO

Axis controllers CPX-CMAX



Free choice:
Position and force control, directly actuated or selected from one of 64 configurable position sets. If you are looking for something more:
the configurable function for switching to the next set enables simple functional sequences to be realised in the axis controller CPX-CMAX.
Everything is recognisable:
the auto-identification function identifies each station with its device data on the controller CPX-CMAX.

Also included:
The functional scope of the controller CPX-CMAX includes actuation of a brake or clamping unit via the proportional directional control valve VPWP.
Up to 7 modules (max. 7 axes) can be operated in parallel and independently of each other. Commissioning via FCT (Festo configuration software) or via fieldbus:
no programming, only configuration.

Technical data → Internet: [cpx-cmax](#)

Advantages:

- Greater flexibility
- OEM friendly – commissioning also via fieldbus
- Clear installation and fast commissioning
- Cost-effective
- You program the system in your PLC environment

End-position controllers CPX-CMPX



Fast travel between the mechanical end stops of the cylinder, stopping gently and without impact in the end position.
Fast commissioning via control panel, fieldbus or handheld unit. Improved control of downtime.
Actuation of a brake or clamping unit via the proportional directional control valve VPWP is an integral component of the controller CMPX.

Depending on the fieldbus chosen, up to 9 end-position controllers can be actuated on the CPX terminal. All system data can be read and written via the fieldbus, including, for example the mid positions.

Technical data → Internet: [cpx-cmpx](#)

Advantages:

- Greater flexibility
- OEM friendly – commissioning also via fieldbus
- Clear installation and fast commissioning
- Cost-effective
 - Up to 30% faster cycle rates
 - Significantly reduced system vibration
- Improved work ergonomics thanks to significantly reduced noise level
- The extended diagnostics help to reduce the service time of the machine

Proportional directional control valve VPWP



The 5/3-way proportional directional control valve for applications with Soft Stop and pneumatic positioning. Fully digitalised – with integrated pressure sensors, with new diagnostic functions.
In sizes 4, 6 and 8.
Flow rate of 350, 700 and 1,400 l/min.

With switching output for actuating a brake.
Coloured supply ports.
Pre-assembled cables guarantee faultless and fast connection with the controllers CPX-CMPX and CPX-CMAX.

Technical data → Internet: [vpwp](#)

Advantages:

- Clear installation and fast commissioning
- Reduction of system downtimes thanks to the new diagnostic options
- With switching output for actuating a brake/clamping unit

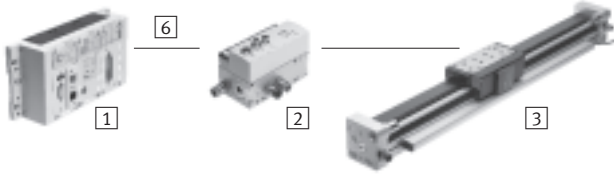
Sensor interface CASM

Drive options

FESTO

System with linear drive DGCI

Technical data → Internet: dgci



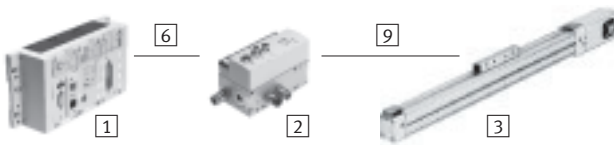
- 1 Controller module CPX-CMPX or CPX-CMAX
- 2 Proportional directional control valve VPWP
- 3 Linear drive DGCI with displacement encoder
- 6 Connecting cable KVI-CP-3-...

- Pneumatic rodless linear drive with displacement encoder and recirculating ball bearing guide
- Displacement encoder with absolute and contactless measuring
- Identical construction as pneumatic linear drive DGC
- Diameter: 18 ... 40 and 63 mm
- Stroke: 100 ... 2,000 mm in fixed lengths
- Range of application of Soft Stop and pneumatic positioning of loads from 1 ... 180 kg
- No sensor interface required

- Advantages:
- Finished drive unit, precision guide
 - Excellent running characteristics
 - For fast and accurate positioning down to ± 0.2 mm (only with axis controller CPX-CMAX)

System with linear drive DGPI, DGPII or displacement encoder MME-MTS

Technical data → Internet: dgpi



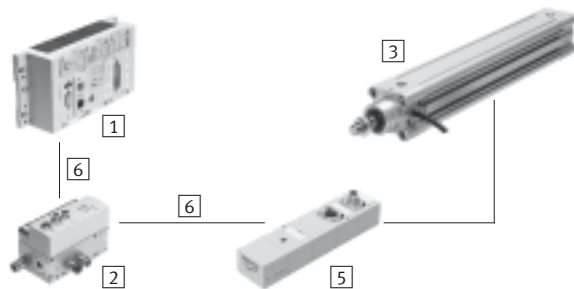
- 1 Controller module CPX-CMPX or CPX-CMAX
- 2 Proportional directional control valve VPWP
- 3 Linear drive DGPI, DGPII with displacement encoder
- 6 Connecting cable KVI-CP-3-...
- 9 NEBP-M16W6-K-2-M9W5

- Pneumatic rodless linear drive with displacement encoder, with or without recirculating ball bearing guide
- Displacement encoder with absolute and contactless measuring
- Diameter: 25 ... 63 mm
- Stroke: 225 ... 2,000 mm in fixed lengths
- Range of application of Soft Stop and pneumatic positioning of loads from 2 ... 180 kg
- No sensor interface required

- Advantages:
- Finished drive unit
 - Excellent running characteristics
 - For fast and accurate positioning down to ± 0.2 mm (only with axis controller CPX-CMAX)

System with standard cylinder DNCI

Technical data → Internet: dnci



- 1 Controller module CPX-CMPX or CPX-CMAX
- 2 Proportional directional control valve VPWP
- 3 Standard cylinder DNCI with displacement encoder
- 5 Sensor interface CASM-S-D3-R7
- 6 Connecting cable KVI-CP-3-...

- Standard cylinder with integrated displacement encoder, conforms to DIN ISO 6432, VDMA 24 562, NF E 49 003.1 and Uni 10 290
- Displacement encoder with contactless and incremental measuring
- Diameter: \varnothing 32 ... 63 mm
- Stroke: 100 ... 750 mm
- Range of application of Soft Stop and pneumatic positioning: loads from 3 ... 180 kg and the matching sensor interface CASM-S-D3-R7
- Pre-assembled cables guarantee faultless and fast electrical connection

- Advantages:
- Compact drive unit
 - Universal applications
 - Also with guide unit
 - For fast and accurate positioning down to ± 0.3 mm (only with axis controller CPX-CMAX)

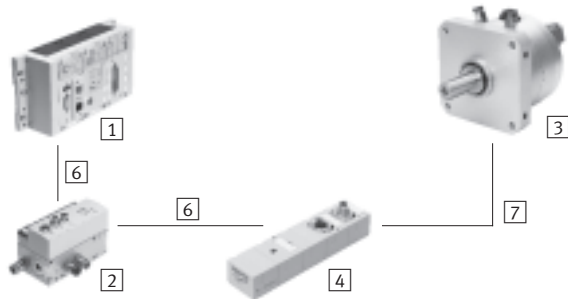
Sensor interface CASM

Drive options

FESTO

System with swivel module DSMI

Technical data → Internet: dsmi



- 1 Controller module CPX-CMPX or CPX-CMAX
- 2 Proportional directional control valve VPWP
- 3 Swivel module DSMI with displacement encoder
- 4 Sensor interface CASM-S-D2-R3
- 6 Connecting cable KVI-CP-3-...
- 7 Connecting cable NEBC-P1W4-K-0,3-N-M12G5

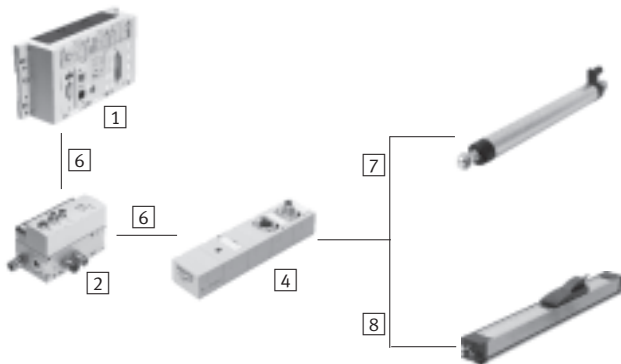
- Swivel module DSMI with integrated displacement encoder
- Identical construction as pneumatic swivel module DSM
- Absolute displacement encoder on basis of potentiometer
- Swivel range from 0 ... 270°
- Size: 25, 40, 63
- Max. torque: 5 ... 40 Nm
- Range of application of Soft Stop and pneumatic positioning: mass moments of inertia from 15 ... 6,000 kgcm² and the matching sensor interface CASM-S-D2-R3
- Pre-assembled cables guarantee faultless and fast connection with the proportional directional control valve VPWP

Advantages:

- Complete drive unit, compact, can be used immediately
- High angular acceleration
- With adjustable fixed stops
- For fast and accurate positioning down to ±0.2° (only with axis controller CPX-CMAX)

System with potentiometer

Technical data → 7



- 1 Controller module CPX-CMPX or CPX-CMAX
- 2 Proportional directional control valve VPWP
- 4 Sensor interface CASM-S-D2-R3
- 6 Connecting cable KVI-CP-3-...
- 7 Connecting cable NEBC-P1W4-K-0,3-N-M12G5
- 8 Connecting cable NEBC-A1W3-K-0,4-N-M12G5

- Attachable potentiometers with absolute measurement, with high degree of protection
- With connecting rod or moment compensator
- Measuring range: 100 ... 2,000 mm
- Pre-assembled cables guarantee faultless and fast connection with the sensor interface CASM
- Range of application of Soft Stop and pneumatic positioning with cylinder Ø 18 ... 80 mm, loads from 1 ... 300 kg

Advantages:

- Clear installation and fast commissioning
- Cost-effective
- Can also be used in harsh environmental conditions
- Variety in the drives: CPX-CMPX and CPX-CMAX also support cylinders with external displacement encoder

Sensor interface CASM

Drive options

System components for Soft Stop systems with end-position controller CPX-CMPX									
3		Linear drive		Standard cylinder	Swivel module	Displacement encoder	Potentiometer		→ Page/Internet
		DGCI	DGPI, DGPII	DNCI	DSMI	MME	LWG	TLF	
1	End-position controller CPX-CMPX	■	■	■	■	■	■	■	cpx-cmpx
2	Proportional directional control valve VPWP	■	■	■	■	■	■	■	vpwp
4	Sensor interface CASM-S-D2-R3	-	-	-	■	-	■	■	7
5	Sensor interface CASM-S-D3-R7	-	-	■	-	-	-	-	7
6	Connecting cable KVI-CP-3-...	■	■	■	■	■	■	■	10
7	Connecting cable NEBC-P1W4-...	-	-	-	■	-	■	-	10
8	Connecting cable NEBC-A1W3-...	-	-	-	-	-	-	■	10
9	Connecting cable NEBP-M16W6-...	-	■	-	-	■	-	-	nebp

System components for pneumatic positioning systems with axis controller CPX-CMAX									
3		Linear drive		Standard cylinder	Swivel module	Displacement encoder	Potentiometer		→ Page/Internet
		DGCI	DGPI, DGPII	DNCI	DSMI	MME	LWG	TLF	
1	Axis controller CPX-CMAX	■	■	■	■	■	■	■	cpx-cmax
2	Proportional directional control valve VPWP	■	■	■	■	■	■	■	vpwp
4	Sensor interface CASM-S-D2-R3	-	-	-	■	-	■	■	7
5	Sensor interface CASM-S-D3-R7	-	-	■	-	-	-	-	7
6	Connecting cable KVI-CP-3-...	■	■	■	■	■	■	■	10
7	Connecting cable NEBC-P1W4-...	-	-	-	■	-	■	-	10
8	Connecting cable NEBC-A1W3-...	-	-	-	-	-	-	■	10
9	Connecting cable NEBP-M16W6-...	-	■	-	-	■	-	-	nebp

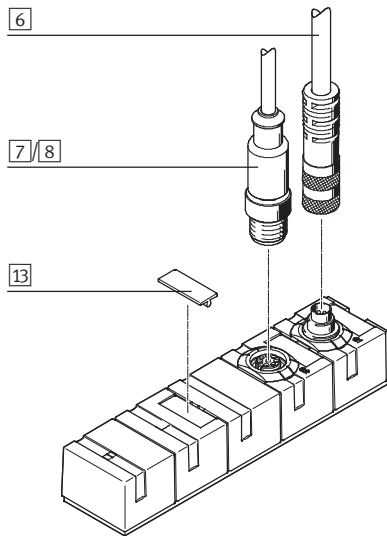
Sensor interface CASM

Type codes and peripherals overview

Type codes

		CASM	-	S	-	D2	-	R3
Type								
CASM	Sensor interface							
Function								
S	Sensor interface							
Displacement encoder								
D2	Analogue							
D3	Incremental							
Electrical connection								
R3	Individual plug M12							
R7	Round plug M12, 8-pin							

Peripherals overview



Accessories			
Type	Brief description	→ Page/Internet	
6	Connecting cable KVI-CP-3	Connection between proportional directional control valve VPWP and sensor interface CASM	10
7/8	Connecting cable NEBC	Connection between sensor interface CASM and displacement encoder	10
13	Inscription label IBS	For labelling the sensor interface	10

Sensor interface CASM

Technical data

FESTO

The sensor interface CASM is used to actuate pneumatic drives with analogue/incremental displacement encoder at a position controller CPX-CMAX or CPX-CMPX. It establishes the connection between the displacement encoder and the proportional directional control valve VPWP.

Note

The sensor interface CASM-S-D3-R7 is specially tailored to the encoder of the standard cylinder DNCI. It cannot be used with other encoders.



General technical data		
	CASM-S-D2-R3	CASM-S-D3-R7
For displacement encoder	Analogue, potentiometer	Digital, incremental
Input voltage [V DC]	0 ... 5	-
Nominal operating voltage [V DC]	24	
Residual ripple [Vss]	4	
Perm. voltage fluctuations [%]	±25	
Current consumption at nominal voltage [mA]	40 ... 50	
Power supply requirement	PELV (Protected Extra-Low Voltage)	
Power failure bridging [ms]	10	
Type of mounting	Via through-hole	
Mounting position	Any	
Diagnostics		
LED indicators	Green	Ready status
	Red	Error
Device-specific diagnostics via control interface	<ul style="list-style-type: none"> - Undervoltage - Wire break - Communications errors 	
Control interface		
Data	CAN bus with Festo protocol	
	Digital	
	Without terminating resistor	
Electrical connection	5-pin	
	M9	
	Plug	
Measuring system		
Electrical connection	5-pin	8-pin
	Socket	
	M12	
Materials		
Housing	Reinforced polybutylene terephthalate	
Product weight [g]	128	

Operating and environmental conditions		
Ambient temperature [°C]	0 ... 55	
Storage temperature [°C]	-20 ... +70	
Relative air humidity [%]	0 ... 95, non-condensing	
Protection class to EN 60529	IP67	
CE mark (see declaration of conformity)	To EU EMC Directive	
Corrosion resistance class CRC ¹⁾	1	
Vibration resistance to DIN/IEC 68, Part 2-6	Tested to severity level 2	
Continuous shock resistance to DIN/IEC 68, Part 2-27	Tested to severity level 2	

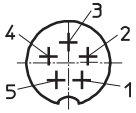
1) Corrosion resistance class 1 according to Festo standard 940 070
Components subject to low corrosion stress. Transport and storage protection. Parts that do not have primarily decorative surface requirements, e.g. in internal areas that are not visible or behind covers.

Sensor interface CASM

Technical data and accessories

Pin allocation

Plug S1

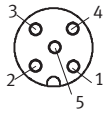


Pin	Function
1	+24 V nominal operating voltage
2	-
3	0 V
4	CAN_H
5	CAN_L
Housing	Cable screening

Plug S2

CASM-S-D2-R3

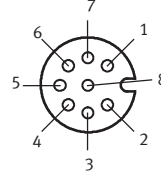
For analogue, absolute displacement encoder



Pin	Function
1	Measuring system housing
2	-
3	Analogue GND
4	Reference voltage
5	Analogue input
Housing	Earth terminal (FE)

CASM-S-D3-R7

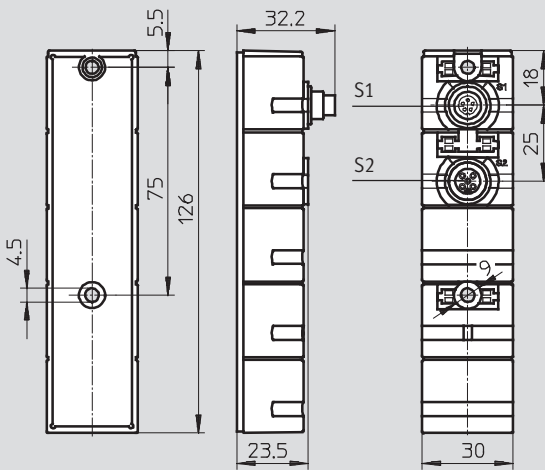
For digital, incremental displacement encoder



Pin	Function
1	+ Vb sensor
2	0 V
3	Signal sine +
4	Signal sine -
5	Signal cosine -
6	Signal cosine +
7	Screen
8	-
Housing	Earth terminal (FE)

Dimensions

Download CAD Data → www.festo.com/us/cad



S1 Green LED for ready status
S2 Red LED for fault

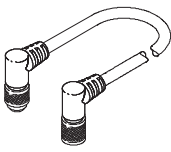
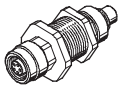
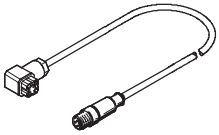
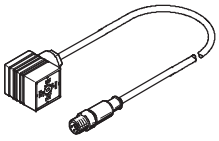

Ordering data

	Brief description	Part No.	Type
	For analogue, absolute displacement encoder	549292	CASM-S-D2-R3
	For digital, incremental displacement encoder	558387	CASM-S-D3-R7

Sensor interface CASM

Accessories

FESTO

Ordering data – Connecting cables				
	Brief description	Cable length [m]	Part No.	Type
Connection between proportional directional control valve VPWP and sensor interface CASM				
	Angled plug and angled socket	0.25	540327	KVI-CP-3-WS-WD-0,25
		0.5	540328	KVI-CP-3-WS-WD-0,5
		2	540329	KVI-CP-3-WS-WD-2
		5	540330	KVI-CP-3-WS-WD-5
		8	540331	KVI-CP-3-WS-WD-8
	Straight plug and straight socket	2	540332	KVI-CP-3-GS-GD-2
		5	540333	KVI-CP-3-GS-GD-5
		8	540334	KVI-CP-3-GS-GD-8
	Connector for control cabinet through-feed	–	543252	KVI-CP-3-SSD
Connection between sensor interface CASM and displacement encoder				
	For swivel module DSMI and potentiometer LWG	0.3	549293	NEBC-P1W4-K-0.3-N-M12G5
	Potentiometer TLF	0.3	549294	NEBC-A1W3-K-0.3-N-M12G5
Ordering data – Inscription labels				
	Brief description	Quantity	Part No.	Type
	Inscription labels 8x20, in frames	20	539388	IBS-8X20

Product Range and Company Overview

A Complete Suite of Automation Services

Our experienced engineers provide complete support at every stage of your development process, including: conceptualization, analysis, engineering, design, assembly, documentation, validation, and production.



Custom Automation Components
Complete custom engineered solutions



Custom Control Cabinets
Comprehensive engineering support and on-site services



Complete Systems
Shipment, stocking and storage services

The Broadest Range of Automation Components

With a comprehensive line of more than 30,000 automation components, Festo is capable of solving the most complex automation requirements.



Electromechanical
Electromechanical actuators, motors, controllers & drives



Pneumatics
Pneumatic linear and rotary actuators, valves, and air supply



PLCs and I/O Devices
PLC's, operator interfaces, sensors and I/O devices

Supporting Advanced Automation... As No One Else Can!

Festo is a leading global manufacturer of pneumatic and electromechanical systems, components and controls for industrial automation, with more than 12,000 employees in 56 national headquarters serving more than 180 countries. For more than 80 years, Festo has continuously elevated the state of manufacturing with innovations and optimized motion control solutions that deliver higher performing, more profitable automated manufacturing and processing equipment. Our dedication to the advancement of automation extends beyond technology to the education and development of current and future automation and robotics designers with simulation tools, teaching programs, and on-site services.

Quality Assurance, ISO 9001 and ISO 14001 Certifications

Festo Corporation is committed to supply all Festo products and services that will meet or exceed our customers' requirements in product quality, delivery, customer service and satisfaction.

To meet this commitment, we strive to ensure a consistent, integrated, and systematic approach to management that will meet or exceed the requirements of the ISO 9001 standard for Quality Management and the ISO 14001 standard for Environmental Management.



© Copyright 2008, Festo Corporation. While every effort is made to ensure that all dimensions and specifications are correct, Festo cannot guarantee that publications are completely free of any error, in particular typing or printing errors. Accordingly, Festo cannot be held responsible for the same. For Liability and Warranty conditions, refer to our "Terms and Conditions of Sale", available from your local Festo office. All rights reserved. No part of this publication may be reproduced, distributed, or transmitted in any form or by any means, electronic, mechanical, photocopying or otherwise, without the prior written permission of Festo. All technical data subject to change according to technical update.



Printed on recycled paper at New Horizon Graphic, Inc., FSC certified as an environmentally friendly printing plant.

Festo North America

Festo Regional Contact Center

5300 Explorer Drive
Mississauga, Ontario L4W 5G4
Canada

USA Customers:

For ordering assistance,

Call: 1.800.99.FESTO (1.800.993.3786)

Fax: 1.800.96.FESTO (1.800.963.3786)

Email: customer.service@us.festo.com

For technical support,

Call: 1.866.GO.FESTO (1.866.463.3786)

Fax: 1.800.96.FESTO (1.800.963.3786)

Email: product.support@us.festo.com

Canadian Customers:

Call: 1.877.GO.FESTO (1.877.463.3786)

Fax: 1.877.FX.FESTO (1.877.393.3786)

Email: festo.canada@ca.festo.com

USA Headquarters

Festo Corporation
395 Moreland Road
P.O. Box 18023
Hauppauge, NY 11788, USA
www.festo.com/us

USA Sales Offices

Appleton

North 922 Tower View Drive, Suite N
Greenville, WI 54942, USA

Boston

120 Presidential Way, Suite 330
Woburn, MA 01801, USA

Chicago

1441 East Business Center Drive
Mt. Prospect, IL 60056, USA

Dallas

1825 Lakeway Drive, Suite 600
Lewisville, TX 75057, USA

Detroit – Automotive Engineering Center

2601 Cambridge Court, Suite 320
Auburn Hills, MI 48326, USA

New York

395 Moreland Road
Hauppauge, NY 11788, USA

Silicon Valley

4935 Southfront Road, Suite F
Livermore, CA 94550, USA

United States



USA Headquarters, East: Festo Corp., 395 Moreland Road, Hauppauge, NY 11788

Phone: 1.631.435.0800; Fax: 1.631.435.8026;

Email: info@festo-usa.com

www.festo.com/us

Canada



Headquarters: Festo Inc., 5300 Explorer Drive, Mississauga, Ontario L4W 5G4

Phone: 1.905.624.9000; Fax: 1.905.624.9001;

Email: festo.canada@ca.festo.com

www.festo.ca

Mexico



Headquarters: Festo Pneumatic, S.A., Av. Ceylán 3, Col. Tequesquahuac,
54020 Tlalneantla, Edo. de México

Phone: 011 52 [55] 53 21 66 00; Fax: 011 52 [55] 53 21 66 65;

Email: festo.mexico@mx.festo.com

www.festo.com/mx

Central USA

Festo Corporation
1441 East Business
Center Drive
Mt. Prospect, IL 60056, USA
Phone: 1.847.759.2600
Fax: 1.847.768.9480



Western USA

Festo Corporation
4935 Southfront Road,
Suite F
Livermore, CA 94550, USA
Phone: 1.925.371.1099
Fax: 1.925.245.1286



Festo Worldwide

Argentina Australia Austria Belarus Belgium Brazil Bulgaria Canada Chile China Colombia Croatia Czech Republic Denmark
Estonia Finland France Germany Great Britain Greece Hong Kong Hungary India Indonesia Iran Ireland Israel Italy Japan Latvia
Lithuania Malaysia Mexico Netherlands New Zealand Norway Peru Philippines Poland Romania Russia Serbia Singapore
Slovakia Slovenia South Africa South Korea Spain Sweden Switzerland Taiwan Thailand Turkey Ukraine United States Venezuela

www.festo.com