

Measuring units ASDLP

Key features and type codes



Systematic safety in the process industry

The ASDLP measuring unit is optimised for the process industry and can be used for closed and open-loop control of gate slides, flat slide valves and weirs particularly in the area of water, sewage and silage technology and in the paper and bulk goods industry. The movement of the linear actuator DLP is, from a purely mechanical point of view, sensed

steplessly. The swivel angle is optimised with respect to the usability of various positioning controllers. The system offers the option of mounting the positioning controller normally used for quarter-turn actuators in the area of process automation directly onto the cylinder.

- Port pattern to Namur (VDI/VDE 3845) for direct assembly of conventional positioning controllers
- Purely mechanical conversion of the linear movement into a rotational movement to actuate the positioning controllers
- Unlimited use in explosive atmospheres
- Specially suited for use outdoors
- Sturdy and reliable, even in aggressive environments
- Highly corrosion resistant
- Clean, smooth surface thanks to its elegant design
- Swivel angle 36 ... 108°

Type codes

		ASDLP	–	120	–	120/140
Type						
ASDLP	Measuring unit for linear actuators DLP					
Piston Ø [mm]						
80	Corresponding piston Ø of the linear actuator					
100						
125						
160						
Stroke [mm]						

Measuring units ASDLP

Technical data

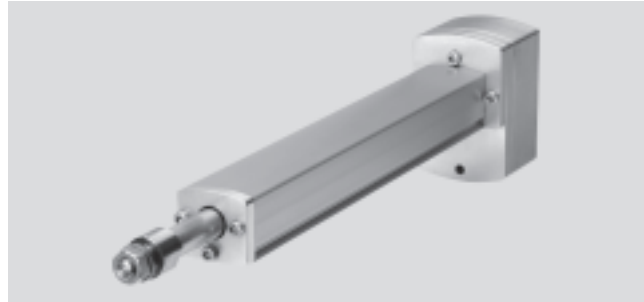
FESTO

Interface to the linear actuator

The measuring unit is attached by clamping it into existing slots in the linear actuator DLP. Existing DLP linear actuators can thus be retrofitted with the measuring unit without requiring additional attachments.

Interface to the positioning controller

Port pattern to Namur VDI/VDE 3845



General technical data		
Assembly position		Any
Max. speed	[m/s]	0.05

Rotation angle [°]				
Gearing for stroke	[mm]	50 ... 100	100 ... 200	200 ... 600
Theoretical angle of rotation	[°]	54 ... 108	50.5 ... 101	36 ... 108

Operating and environmental conditions	
Ambient temperature ¹⁾	[°C] -20 ... +80
Corrosion resistance class CRC ²⁾	3
CE marking (see declaration of conformity) → www.festo.com	In accordance with EU EMC directive
ATEX specification	II 2 GD c T6 T80°C
ATEX ambient temperature	-20°C ≤ Ta ≤ +80°C

1) Note operating range of positioning controllers

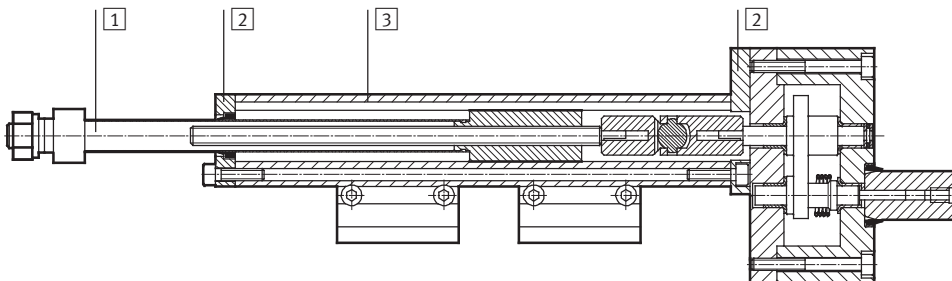
2) Corrosion resistance class 3 according to Festo standard 940 070

Components requiring higher corrosion resistance. External visible parts in direct contact with industrial atmospheres or media such as solvents and cleaning agents, with a predominantly functional requirement for the surface

Weights [g]				
Size	80	100	125	160
Basic weight with 0 mm stroke	1,496	1,506	1,427	1,427
Additional weight per 10 mm stroke	23.9	23.9	23.9	23.9

Materials

Sectional view



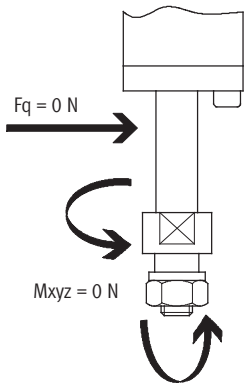
Measuring unit		
1	Piston rod	Smooth-rolled, high-alloy steel
2	Bearing cap	Extruded aluminium
3	Cylinder barrel	Smooth anodised aluminium
-	External screws	Stainless steel
-	Rod bearing	Smooth composite material
-	Seals	Polyurethane, nitrile rubber

Measuring units ASDLP

Technical data



Permissible loads on the measuring unit and on its telescopic measuring rod



Permissible drive torque or resetting torque, as appropriate, of the positioning controller

$M_{driv. max} = 2.5 \text{ Nm}$

Permissible lateral load on the telescopic measuring rod

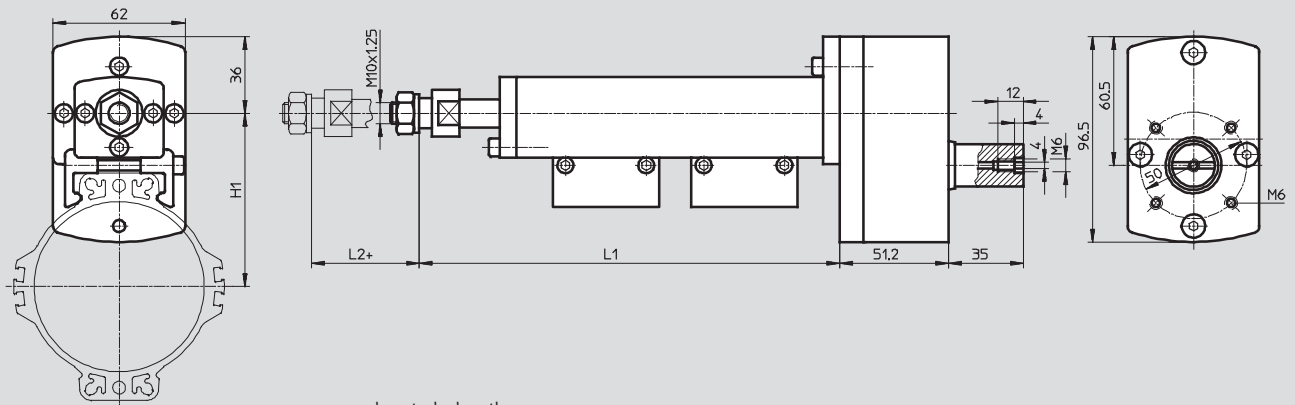
$F_q = 0 \text{ N}$

Permissible torques on the telescopic measuring rod

$M_{xyz} = 0 \text{ Nm}$

Dimensions

Download CAD Data → www.festo.com/us/cad



Size	H1	L1	L2
[mm]		±3.5	
ASDLP-80-50/90	81.5	285	43.8 ... 52.5
ASDLP-80-X		195+	
ASDLP-100-50/90	93	289	47.8 ... 56.5
ASDLP-100-90/110		309	
ASDLP-100-X		199+	
ASDLP-125-120/140	109	308	16.8 ... 25.5
ASDLP-125-X		168+	
ASDLP-160-140/170	127	338	16.8 ... 25.5
ASDLP-160-200/220		388	
ASDLP-160-250/270		438	
ASDLP-160-X		168+	

Measuring units ASDLP



Technical data

Ordering data			
For DLP with piston Ø [mm]	Stroke [mm]	Part No.	Type
Kept in stock			
80	50 ... 90	529 085	ASDLP-80-50/90
100	50 ... 90	529 087	ASDLP-100-50/90
	90 ... 110	529 088	ASDLP-100-90/110
125	120 ... 140	529 090	ASDLP-125-120/140
160	140 ... 170	529 092	ASDLP-160-140/170
	200 ... 220	529 093	ASDLP-160-200/220
	250 ... 270	529 094	ASDLP-160-250/270
On request			
80	50 ... 600	529 084	ASDLP-80-X
100	50 ... 600	529 086	ASDLP-100-X
125	50 ... 600	529 089	ASDLP-125-X
160	50 ... 600	529 091	ASDLP-160-X

Product Range and Company Overview

A Complete Suite of Automation Services

Our experienced engineers provide complete support at every stage of your development process, including: conceptualization, analysis, engineering, design, assembly, documentation, validation, and production.



Custom Automation Components
Complete custom engineered solutions



Custom Control Cabinets
Comprehensive engineering support and on-site services



Complete Systems
Shipment, stocking and storage services

The Broadest Range of Automation Components

With a comprehensive line of more than 30,000 automation components, Festo is capable of solving the most complex automation requirements.



Electromechanical
Electromechanical actuators, motors, controllers & drives



Pneumatics
Pneumatic linear and rotary actuators, valves, and air supply



PLCs and I/O Devices
PLC's, operator interfaces, sensors and I/O devices

Supporting Advanced Automation... As No One Else Can!

Festo is a leading global manufacturer of pneumatic and electromechanical systems, components and controls for industrial automation, with more than 12,000 employees in 56 national headquarters serving more than 180 countries. For more than 80 years, Festo has continuously elevated the state of manufacturing with innovations and optimized motion control solutions that deliver higher performing, more profitable automated manufacturing and processing equipment. Our dedication to the advancement of automation extends beyond technology to the education and development of current and future automation and robotics designers with simulation tools, teaching programs, and on-site services.

Quality Assurance, ISO 9001 and ISO 14001 Certifications

Festo Corporation is committed to supply all Festo products and services that will meet or exceed our customers' requirements in product quality, delivery, customer service and satisfaction.

To meet this commitment, we strive to ensure a consistent, integrated, and systematic approach to management that will meet or exceed the requirements of the ISO 9001 standard for Quality Management and the ISO 14001 standard for Environmental Management.



© Copyright 2008, Festo Corporation. While every effort is made to ensure that all dimensions and specifications are correct, Festo cannot guarantee that publications are completely free of any error, in particular typing or printing errors. Accordingly, Festo cannot be held responsible for the same. For Liability and Warranty conditions, refer to our "Terms and Conditions of Sale", available from your local Festo office. All rights reserved. No part of this publication may be reproduced, distributed, or transmitted in any form or by any means, electronic, mechanical, photocopying or otherwise, without the prior written permission of Festo. All technical data subject to change according to technical update.



Printed on recycled paper at New Horizon Graphic, Inc., FSC certified as an environmentally friendly printing plant.

Festo North America

Festo Regional Contact Center

5300 Explorer Drive
Mississauga, Ontario L4W 5G4
Canada

USA Customers:

For ordering assistance,

Call: 1.800.99.FESTO (1.800.993.3786)

Fax: 1.800.96.FESTO (1.800.963.3786)

Email: customer.service@us.festo.com

For technical support,

Call: 1.866.GO.FESTO (1.866.463.3786)

Fax: 1.800.96.FESTO (1.800.963.3786)

Email: product.support@us.festo.com

Canadian Customers:

Call: 1.877.GO.FESTO (1.877.463.3786)

Fax: 1.877.FX.FESTO (1.877.393.3786)

Email: festo.canada@ca.festo.com

USA Headquarters

Festo Corporation
395 Moreland Road
P.O. Box 18023
Hauppauge, NY 11788, USA
www.festo.com/us

USA Sales Offices

Appleton

North 922 Tower View Drive, Suite N
Greenville, WI 54942, USA

Boston

120 Presidential Way, Suite 330
Woburn, MA 01801, USA

Chicago

1441 East Business Center Drive
Mt. Prospect, IL 60056, USA

Dallas

1825 Lakeway Drive, Suite 600
Lewisville, TX 75057, USA

Detroit – Automotive Engineering Center

2601 Cambridge Court, Suite 320
Auburn Hills, MI 48326, USA

New York

395 Moreland Road
Hauppauge, NY 11788, USA

Silicon Valley

4935 Southfront Road, Suite F
Livermore, CA 94550, USA

United States



USA Headquarters, East: Festo Corp., 395 Moreland Road, Hauppauge, NY 11788

Phone: 1.631.435.0800; Fax: 1.631.435.8026;

Email: info@festo-usa.com

www.festo.com/us

Canada



Headquarters: Festo Inc., 5300 Explorer Drive, Mississauga, Ontario L4W 5G4

Phone: 1.905.624.9000; Fax: 1.905.624.9001;

Email: festo.canada@ca.festo.com

www.festo.ca

Mexico



Headquarters: Festo Pneumatic, S.A., Av. Ceylán 3, Col. Tequesquahuac,
54020 Tlalneantla, Edo. de México

Phone: 011 52 [55] 53 21 66 00; Fax: 011 52 [55] 53 21 66 65;

Email: festo.mexico@mx.festo.com

www.festo.com/mx

Central USA

Festo Corporation
1441 East Business
Center Drive
Mt. Prospect, IL 60056, USA
Phone: 1.847.759.2600
Fax: 1.847.768.9480



Western USA

Festo Corporation
4935 Southfront Road,
Suite F
Livermore, CA 94550, USA
Phone: 1.925.371.1099
Fax: 1.925.245.1286



Festo Worldwide

Argentina Australia Austria Belarus Belgium Brazil Bulgaria Canada Chile China Colombia Croatia Czech Republic Denmark
Estonia Finland France Germany Great Britain Greece Hong Kong Hungary India Indonesia Iran Ireland Israel Italy Japan Latvia
Lithuania Malaysia Mexico Netherlands New Zealand Norway Peru Philippines Poland Romania Russia Serbia Singapore
Slovakia Slovenia South Africa South Korea Spain Sweden Switzerland Taiwan Thailand Turkey Ukraine United States Venezuela

www.festo.com