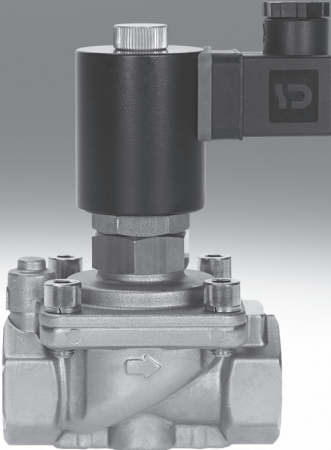


Solenoid valves VZWF, force pilot operated, NPT



# Solenoid valves VZWF, force pilot operated, NPT



Key features and overview

## Function

Normally closed solenoid valve with diaphragm and forced lifting. When the solenoid is energised, the differential pressure from the secondary side of the diaphragm is reduced via the servo hole. The effective differential pressure lifts

the diaphragm away from the valve seat. If there is no differential pressure, the diaphragm is lifted directly by the solenoid. The valve opens and closes without a differential pressure between the inlet and outlet.

## General

-  - Connecting thread  
NPT1/4 ... NPT2
-  - Flow rate Kv  
1.8 ... 28 m<sup>3</sup>/h

## Application

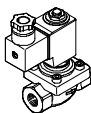
- Suitable for closed applications such as cooling or filling systems
- Vacuum
- Liquid gas
- Bottling systems

## Design

- Diaphragm valves
- Forced lifting of the valve diaphragm
- 2/2-way valve, normally closed

## Advantages

- Choice of sealing materials for different fields of applications
- Medium pressure 0 bar or higher

Version	Type	Process valve connection	Nominal size (DN)	Process valve nominal pressure (PN)	→ Page/Internet
	VZWF-...	NPT1/4	13.5	40	4
		NPT3/8	13.5		
		NPT1/2	13.5		
		NPT3/4	27.5		
		NPT1	27.5		
	VZWF-...	NPT114	40	40	8
		NPT112	40		
		NPT2	50		

# Solenoid valves VZWF, force pilot operated, NPT

Type codes

VZWF - B - L - M22C - G14 - 135 - V - 2AP4 - 10 - R1

### Type

VZWF	Solenoid valve, force pilot operated
------	--------------------------------------

### Product version

	Standard
B	Optimised function

### Type of directional control valve

L	In-line valve
---	---------------

### Valve function

M22C	2/2-way valve, normally closed
------	--------------------------------

### Process valve connection

N14	NPT 1/4
N38	NPT 3/8
N12	NPT 1/2
N34	NPT 3/4
N1	NPT 1
N114	NPT1 1/4
N112	NPT1 1/2
N2	NPT 2

### Nominal size (DN)

135	13.5 mm
275	27.5 mm
400	40 mm
500	50 mm

### Sealing material

	Standard (NBR)
E	EPDM
V	FPM

### Nominal operating voltage

1	24 V DC
2A	110 V AC/50-60 Hz
3A	230 V AC/50-60 Hz

### Electrical connection

P4	Plug socket, 3-pin
----	--------------------

### Operating pressure

6	Max. 6 bar
10	Max. 10 bar

### Corrosion protection

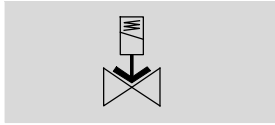
	Standard (brass)
R1	Stainless steel

# Solenoid valves VZWF, force pilot operated, NPT

FESTO

Technical data

Function



Flow rate Kv  
1.8 ... 11 m<sup>3</sup>/h

Connecting thread  
NPT<sup>1</sup>/<sub>4</sub> ... NPT1



General technical data					
Process valve connection	NPT <sup>1</sup> / <sub>4</sub>	NPT <sup>3</sup> / <sub>8</sub>	NPT <sup>1</sup> / <sub>2</sub>	NPT <sup>3</sup> / <sub>4</sub>	NPT1
Nominal size (DN)	13.5	13.5	13.5	27.5	27.5
Valve function	2/2-way, single solenoid, closed				
Design	Diaphragm valve, force pilot operated				
Type of mounting	In-line installation				
Actuation type	Electric				
Manual override	None				
Mounting position	Solenoid vertical				
Sealing principle	Soft				
Direction of flow	Non-reversible				
Max. viscosity [mm <sup>2</sup> /s]	22				
Protection class	IP 65				
Product weight [g]	1,000			1,500	

Operating and environmental conditions					
Process valve connection	NPT <sup>1</sup> / <sub>4</sub>	NPT <sup>3</sup> / <sub>8</sub>	NPT <sup>1</sup> / <sub>2</sub>	NPT <sup>3</sup> / <sub>4</sub>	NPT1
Switching time on [ms]	130			275	
Switching time off [ms]	180			290	
Standard nominal flow rate [l/min]	1,920	2,350	2,660	8,020	11,750
Flow rate [m <sup>3</sup> /h]	1.8	2.2	2.5	7.5	11
Operating pressure [bar]	0 ... 10			0 ... 6	
Process valve nominal pressure (PN)	40				
Differential pressure [bar]	0				
Operating medium with NBR seal (standard)	Compressed air in accordance with ISO 8573-1:2010 [7:4:4]				
	Inert gases				
	Cold water				
	Further media upon request				
Operating medium with EPDM seal	Compressed air in accordance with ISO 8573-1:2010 [7:-:-]				
	Inert gases				
	Water				
	Further media upon request				
Operating medium with FPM seal	Compressed air in accordance with ISO 8573-1:2010 [7:-:-]				
	Inert gases				
	Mineral oil				
	Neutral liquids				
	Water				
	Further media upon request				
Ambient temperature [°C]	-10 ... +35 °C				
Temperature of medium [°C]	-10 ... +80 °C				
Leak rate to EN 12266-1	A				
Corrosion resistance class					
CRC <sup>1</sup> ) Brass	1				
CRC <sup>2</sup> ) Stainless steel	3				

1) Corrosion resistance class 1 according to Festo standard 940 070

Components subject to low corrosion stress. Transport and storage protection. Parts that do not have primarily decorative surface requirements, e.g. in internal areas that are not visible or behind covers.

2) Corrosion resistance class 3 according to Festo standard 940 070

Components subject to high corrosion stress. External visible parts in direct contact with industrial atmospheres or media such as solvents and cleaning agents, with a predominantly functional requirement for the surface.

# Solenoid valves VZWF, force pilot operated, NPT

Technical data

Materials		
Solenoid valves		Material number
1 Housing	Brass casting	CW617N
	Stainless steel casting	1.4581
2 Screws	High-alloy stainless steel	1.4301
3 Seals	NBR, FPM, EPDM	–
– Note on materials	Contains PWIS (paint-wetting impairment substances), RoHS-compliant	

Electrical data				VZWF- ... 1	VZWF- ... 2A	VZWF- ... 3A
Electrical connection				Plug to EN 175301-803 type A, square design		
CE mark as per EU Pressure Equipment Directive				–	Yes	Yes
Coil characteristics	Direct current DC	[V]	24	–	–	
		[W]	11	–	–	
	Alternating current AC	[V]	–	110	230	
		[VA]	–	19	18	
	Holding power	[VA]	–	16	15	
		[Hz]	–	50, 60	50, 60	
Coil characteristics	Direct current DC	[V]	24	–	–	
		[W]	30	–	–	
	Alternating current AC	[V]	–	110	230	
		[VA]	–	30	30	
	Holding power	[VA]	–	30	30	
		[Hz]	–	50, 60	50, 60	
Permissible voltage fluctuations				[%]	±10	

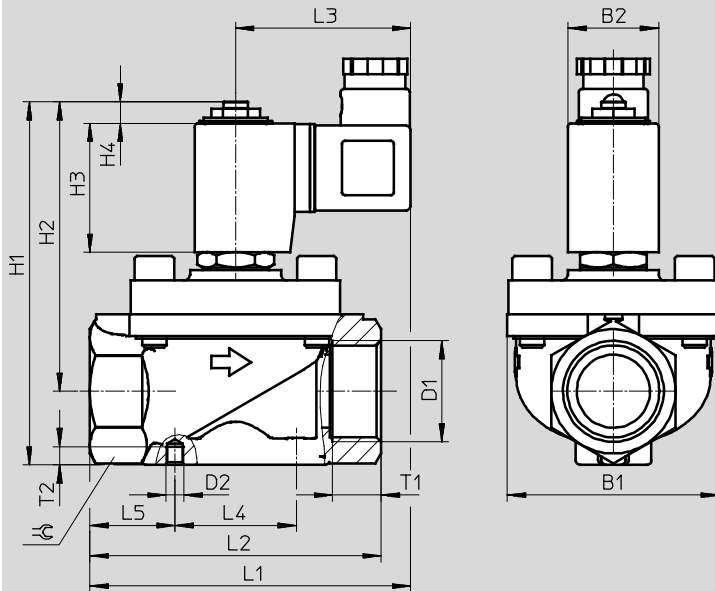
# Solenoid valves VZWF, force pilot operated, NPT

Technical data

FESTO

## Dimensions

Download CAD data → [www.festo.com](http://www.festo.com)

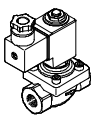


	B1	B2	D1	D2	H1	H2	H3	H4	L1	L2	L3	L4	L5	T1	T2	☞
VZWF-B-L-M22C-N14-135-...	48	30	NPT $\frac{1}{4}$	M4	101	85.6	42	7	92	67	58	25	21	12	4	27
VZWF-B-L-M22C-N14-135-...-R1	44	30	NPT $\frac{1}{4}$	M4	101	85.6	42	7	94	67	58	25	21	12	4	27
VZWF-B-L-M22C-N38-135-...	48	30	NPT $\frac{3}{8}$	M4	101	85.6	42	7	92	67	58	25	21	12	4	27
VZWF-B-L-M22C-N38-135-...-R1	44	30	NPT $\frac{3}{8}$	M4	101	85.6	42	7	94	67	58	25	21	12	4	27
VZWF-B-L-M22C-N12-135-...	48	30	NPT $\frac{1}{2}$	M4	101	85.6	42	7	92	67	58	25	21	12	4	27
VZWF-B-L-M22C-N12-135-...-R1	44	30	NPT $\frac{1}{2}$	M4	101	85.6	42	7	94	67	58	25	21	12	4	27
VZWF-B-L-M22C-N34-275-...	70	30	NPT $\frac{3}{4}$	M6	120	95.4	42	7	106	96	58	40	28	16	6	41
VZWF-B-L-M22C-N1-275-...	70	30	NPT1	M6	120	95.4	42	7	106	96	58	40	28	16	6	41

# Solenoid valves VZWF, force pilot operated, NPT

FESTO

Technical data

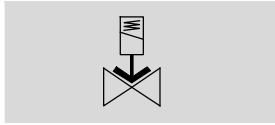
Ordering data – Solenoid valve VZWF						
	Process valve connection	Brass housing		Stainless steel casting housing		
		Part No.	Type	Part No.	Type	
	NPT $\frac{1}{4}$	1492174	VZWF-B-L-M22C-N14-135-E-1P4-10	1492166	VZWF-B-L-M22C-N14-135-1P4-10-R1	
		1492158	VZWF-B-L-M22C-N14-135-1P4-10	1492182	VZWF-B-L-M22C-N14-135-E-1P4-10-R1	
		1492254	VZWF-B-L-M22C-N14-135-2AP4-10	1492390	VZWF-B-L-M22C-N14-135-V-3AP4-10-R1	
		1492350	VZWF-B-L-M22C-N14-135-3AP4-10	1492198	VZWF-B-L-M22C-N14-135-V-1P4-10-R1	
		1492270	VZWF-B-L-M22C-N14-135-E-2AP4-10	1492262	VZWF-B-L-M22C-N14-135-2AP4-10-R1	
		1492286	VZWF-B-L-M22C-N14-135-V-2AP4-10	1492278	VZWF-B-L-M22C-N14-135-E-2AP4-10-R1	
		1492366	VZWF-B-L-M22C-N14-135-E-3AP4-10	1492294	VZWF-B-L-M22C-N14-135-V-2AP4-10-R1	
		1492190	VZWF-B-L-M22C-N14-135-V-1P4-10	1492358	VZWF-B-L-M22C-N14-135-3AP4-10-R1	
		1492382	VZWF-B-L-M22C-N14-135-V-3AP4-10	1492374	VZWF-B-L-M22C-N14-135-E-3AP4-10-R1	
	NPT $\frac{3}{8}$	1492175	VZWF-B-L-M22C-N38-135-E-1P4-10	1492167	VZWF-B-L-M22C-N38-135-1P4-10-R1	
		1492159	VZWF-B-L-M22C-N38-135-1P4-10	1492183	VZWF-B-L-M22C-N38-135-E-1P4-10-R1	
		1492255	VZWF-B-L-M22C-N38-135-2AP4-10	1492391	VZWF-B-L-M22C-N38-135-V-3AP4-10-R1	
		1492351	VZWF-B-L-M22C-N38-135-3AP4-10	1492199	VZWF-B-L-M22C-N38-135-V-1P4-10-R1	
		1492191	VZWF-B-L-M22C-N38-135-V-1P4-10	1492263	VZWF-B-L-M22C-N38-135-2AP4-10-R1	
		1492271	VZWF-B-L-M22C-N38-135-E-2AP4-10	1492279	VZWF-B-L-M22C-N38-135-E-2AP4-10-R1	
		1492287	VZWF-B-L-M22C-N38-135-V-2AP4-10	1492295	VZWF-B-L-M22C-N38-135-V-2AP4-10-R1	
		1492367	VZWF-B-L-M22C-N38-135-E-3AP4-10	1492359	VZWF-B-L-M22C-N38-135-3AP4-10-R1	
		1492383	VZWF-B-L-M22C-N38-135-V-3AP4-10	1492375	VZWF-B-L-M22C-N38-135-E-3AP4-10-R1	
		NPT $\frac{1}{2}$	1492176	VZWF-B-L-M22C-N12-135-E-1P4-10	1492168	VZWF-B-L-M22C-N12-135-1P4-10-R1
	1492256		VZWF-B-L-M22C-N12-135-2AP4-10	1492184	VZWF-B-L-M22C-N12-135-E-1P4-10-R1	
	1492352		VZWF-B-L-M22C-N12-135-3AP4-10	1492392	VZWF-B-L-M22C-N12-135-V-3AP4-10-R1	
	1492192		VZWF-B-L-M22C-N12-135-V-1P4-10	1492200	VZWF-B-L-M22C-N12-135-E-1P4-10-R1	
	1492272		VZWF-B-L-M22C-N12-135-E-2AP4-10	1492264	VZWF-B-L-M22C-N12-135-2AP4-10-R1	
	1492288		VZWF-B-L-M22C-N12-135-V-2AP4-10	1492280	VZWF-B-L-M22C-N12-135-E-2AP4-10-R1	
	1492368		VZWF-B-L-M22C-N12-135-E-3AP4-10	1492296	VZWF-B-L-M22C-N12-135-V-2AP4-10-R1	
	1492384		VZWF-B-L-M22C-N12-135-V-3AP4-10	1492360	VZWF-B-L-M22C-N12-135-3AP4-10-R1	
	1492160		VZWF-B-L-M22C-N12-135-V-1P4-10	1492376	VZWF-B-L-M22C-N12-135-E-3AP4-10-R1	
	NPT $\frac{3}{4}$		1492385	VZWF-B-L-M22C-N34-275-V-3AP4-6	1492169	VZWF-B-L-M22C-N34-275-1P4-6-R1
		1492161	VZWF-B-L-M22C-N34-275-1P4-6	1492185	VZWF-B-L-M22C-N34-275-E-1P4-6-R1	
		1492257	VZWF-B-L-M22C-N34-275-2AP4-6	1492393	VZWF-B-L-M22C-N34-275-V-3AP4-6-R1	
		1492353	VZWF-B-L-M22C-N34-275-3AP4-6	1492201	VZWF-B-L-M22C-N34-275-V-1P4-6-R1	
		1492177	VZWF-B-L-M22C-N34-275-E-1P4-6	1492265	VZWF-B-L-M22C-N34-275-2AP4-6-R1	
		1492193	VZWF-B-L-M22C-N34-275-V-1P4-6	1492281	VZWF-B-L-M22C-N34-275-E-2AP4-6-R1	
		1492273	VZWF-B-L-M22C-N34-275-E-2AP4-6	1492297	VZWF-B-L-M22C-N34-275-V-2AP4-6-R1	
		1492289	VZWF-B-L-M22C-N34-275-V-2AP4-6	1492361	VZWF-B-L-M22C-N34-275-3AP4-6-R1	
		1492369	VZWF-B-L-M22C-N34-275-E-3AP4-6	1492377	VZWF-B-L-M22C-N34-275-E-3AP4-6-R1	
	NPT1	1492162	VZWF-B-L-M22C-N1-275-1P4-6	1492170	VZWF-B-L-M22C-N1-275-1P4-6-R1	
		1492258	VZWF-B-L-M22C-N1-275-2AP4-6	1492186	VZWF-B-L-M22C-N1-275-E-1P4-6-R1	
		1492354	VZWF-B-L-M22C-N1-275-3AP4-6	1492394	VZWF-B-L-M22C-N1-275-V-3AP4-6-R1	
		1492178	VZWF-B-L-M22C-N1-275-E-1P4-6	1492202	VZWF-B-L-M22C-N1-275-V-1P4-6-R1	
		1492274	VZWF-B-L-M22C-N1-275-E-2AP4-6	1492266	VZWF-B-L-M22C-N1-275-2AP4-6-R1	
		1492370	VZWF-B-L-M22C-N1-275-E-3AP4-6	1492282	VZWF-B-L-M22C-N1-275-E-2AP4-6-R1	
		1492194	VZWF-B-L-M22C-N1-275-V-1P4-6	1492298	VZWF-B-L-M22C-N1-275-V-2AP4-6-R1	
		1492290	VZWF-B-L-M22C-N1-275-V-2AP4-6	1492362	VZWF-B-L-M22C-N1-275-3AP4-6-R1	
		1492386	VZWF-B-L-M22C-N1-275-V-3AP4-6	1492378	VZWF-B-L-M22C-N1-275-E-3AP4-6-R1	

# Solenoid valves VZWF, force pilot operated, NPT

FESTO

Technical data

Function



Flow rate Kv  
20 ... 28 m<sup>3</sup>/h

Connecting thread  
NPT1¼ ... NPT2



General technical data			
Process valve connection	NPT1¼	NPT1½	NPT2
Nominal size (DN)	40	40	50
Valve function	2/2-way, single solenoid, closed		
Design	Diaphragm valve, force pilot operated		
Type of mounting	In-line installation		
Actuation type	Electric		
Manual override	None		
Mounting position	Solenoid vertical		
Sealing principle	Soft		
Direction of flow	Non-reversible		
Max. viscosity [mm <sup>2</sup> /s]	22		
Protection class	IP 65		
Product weight [g]	4,500		6,500

Operating and environmental conditions			
Process valve connection	NPT1¼	NPT1½	NPT2
Switching time on [ms]	620		1,220
Switching time off [ms]	1,140		2,140
Standard nominal flow rate [l/min]	21,370	23,500	29,900
Flow rate [m <sup>3</sup> /h]	20	22.5	28
Operating pressure [bar]	0 ... 10		0 ... 6
Process valve nominal pressure (PN)	40		
Differential pressure [bar]	0		
Operating medium with NBR seal (standard)	Compressed air in accordance with ISO 8573-1:2010 [7:4:4]		
	Inert gases		
	Cold water		
	Further media upon request		
Operating medium with EPDM seal	Compressed air in accordance with ISO 8573-1:2010 [7:-:-]		
	Inert gases		
	Water		
	Further media upon request		
Operating medium with FPM seal	Compressed air in accordance with ISO 8573-1:2010 [7:-:-]		
	Inert gases		
	Mineral oil		
	Neutral liquids		
	Water		
Further media upon request			
Ambient temperature [°C]	-10 ... +35 °C		
Temperature of medium [°C]	-10 ... +80 °C		
Leak rate to EN 12266-1	A		
Corrosion resistance class			
CRC <sup>1)</sup> Brass	1		
CRC <sup>2)</sup> Stainless steel	3		

1) Corrosion resistance class 1 according to Festo standard 940 070

Components subject to low corrosion stress. Transport and storage protection. Parts that do not have primarily decorative surface requirements, e.g. in internal areas that are not visible or behind covers.

2) Corrosion resistance class 3 according to Festo standard 940 070

Components subject to high corrosion stress. External visible parts in direct contact with industrial atmospheres or media such as solvents and cleaning agents, with a predominantly functional requirement for the surface.



# Solenoid valves VZWF, force pilot operated, NPT

Technical data

Materials		
Solenoid valves		Material number
1 Housing	Brass casting	CW617N
	Stainless steel casting	1.4581
2 Screws	High-alloy stainless steel	1.4301
3 Seals	NBR, FPM, EPDM	–
– Note on materials	Contains PWIS (paint-wetting impairment substances), RoHS-compliant	

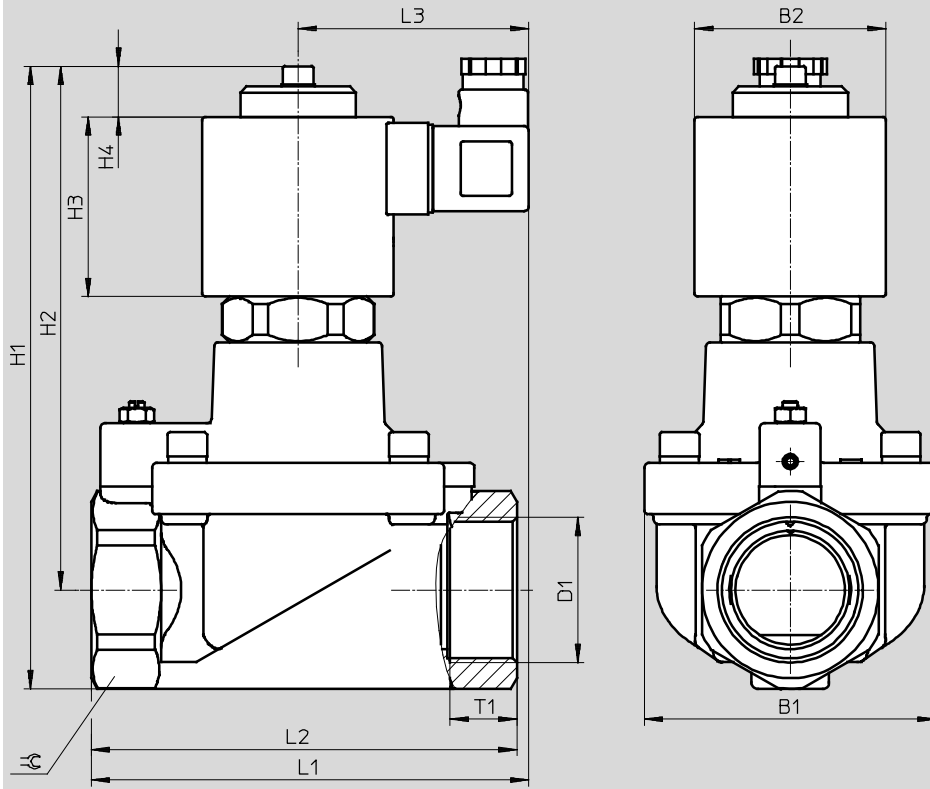
Electrical data				VZWF- ... 1	VZWF- ... 2A	VZWF- ... 3A
Electrical connection				Plug to EN 175301-803 type A, square design		
CE mark as per EU Pressure Equipment Directive				–	Yes	Yes
Coil characteristics	Direct current DC	[V]	24	–	–	
	Alternating current AC	[V]	–	110	230	
		[W]	11	–	–	
	Switching power	[VA]	–	19	18	
	Holding power	[VA]	–	16	15	
		[Hz]	–	50, 60	50, 60	
Coil characteristics	Direct current DC	[V]	24	–	–	
	Alternating current AC	[V]	–	110	230	
		[W]	30	–	–	
	Switching power	[VA]	–	30	30	
	Holding power	[VA]	–	30	30	
		[Hz]	–	50, 60	50, 60	
Permissible voltage fluctuations				[%]	±10	

# Solenoid valves VZWF, force pilot operated, NPT

Technical data

Dimensions

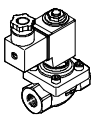
Download CAD data → [www.festo.com/en/engineering](http://www.festo.com/en/engineering)



	B1	B2	D1	H1	H2	H3	H4	L1	L2	L3	T1	≈
VZWF-L-M22C-N114-400-...	96	63	NPT1¼	205	172.2	59	17	148	140	76	22	58
VZWF-L-M22C-N112-400-...	96	63	NPT1½	205	172.2	59	17	148	140	76	22	58
VZWF-L-M22C-N2-500-...	112	63	NPT2	218	178.6	59	17	159	168	76	25	70

# Solenoid valves VZWF, force pilot operated, NPT

Technical data

Ordering data – Solenoid valve VZWF					
	Process valve connection	Brass housing		Stainless steel casting housing	
		Part No.	Type	Part No.	Type
	NPT114	1492387	VZWF-L-M22C-N114-400-V-3AP4-10	1492171	VZWF-L-M22C-N114-400-1P4-10-R1
		1492163	VZWF-L-M22C-N114-400-1P4-10	1492187	VZWF-L-M22C-N114-400-E-1P4-10-R1
		1492259	VZWF-L-M22C-N114-400-2AP4-10	1492395	VZWF-L-M22C-N114-400-V-3AP4-10-R1
		1492355	VZWF-L-M22C-N114-400-3AP4-10	1492203	VZWF-L-M22C-N114-400-V-1P4-10-R1
		1492179	VZWF-L-M22C-N114-400-E-1P4-10	1492267	VZWF-L-M22C-N114-400-2AP4-10-R1
		1492195	VZWF-L-M22C-N114-400-V-1P4-10	1492283	VZWF-L-M22C-N114-400-E-2AP4-10-R1
		1492275	VZWF-L-M22C-N114-400-E-2AP4-10	1492299	VZWF-L-M22C-N114-400-V-2AP4-10-R1
		1492291	VZWF-L-M22C-N114-400-V-2AP4-10	1492363	VZWF-L-M22C-N114-400-3AP4-10-R1
		1492371	VZWF-L-M22C-N114-400-E-3AP4-10	1492379	VZWF-L-M22C-N114-400-E-3AP4-10-R1
	NPT112	1492388	VZWF-L-M22C-N112-400-V-3AP4-10	1492172	VZWF-L-M22C-N112-400-1P4-10-R1
		1492164	VZWF-L-M22C-N112-400-1P4-10	1492188	VZWF-L-M22C-N112-400-E-1P4-10-R1
		1492260	VZWF-L-M22C-N112-400-2AP4-10	1492396	VZWF-L-M22C-N112-400-V-3AP4-10-R1
		1492356	VZWF-L-M22C-N112-400-3AP4-10	1492204	VZWF-L-M22C-N112-400-V-1P4-10-R1
		1492180	VZWF-L-M22C-N112-400-E-1P4-10	1492268	VZWF-L-M22C-N112-400-2AP4-10-R1
		1492196	VZWF-L-M22C-N112-400-V-1P4-10	1492284	VZWF-L-M22C-N112-400-E-2AP4-10-R1
		1492276	VZWF-L-M22C-N112-400-E-2AP4-10	1492300	VZWF-L-M22C-N112-400-V-2AP4-10-R1
		1492292	VZWF-L-M22C-N112-400-V-2AP4-10	1492364	VZWF-L-M22C-N112-400-3AP4-10-R1
		1492372	VZWF-L-M22C-N112-400-E-3AP4-10	1492380	VZWF-L-M22C-N112-400-E-3AP4-10-R1
	NPT2	1492165	VZWF-L-M22C-N2-500-1P4-6	1492173	VZWF-L-M22C-N2-500-1P4-6-R1
		1492261	VZWF-L-M22C-N2-500-2AP4-6	1492189	VZWF-L-M22C-N2-500-E-1P4-6-R1
		1492357	VZWF-L-M22C-N2-500-3AP4-6	1492397	VZWF-L-M22C-N2-500-V-3AP4-6-R1
		1492181	VZWF-L-M22C-N2-500-E-1P4-6	1492205	VZWF-L-M22C-N2-500-V-1P4-6-R1
		1492277	VZWF-L-M22C-N2-500-E-2AP4-6	1492269	VZWF-L-M22C-N2-500-2AP4-6-R1
		1492373	VZWF-L-M22C-N2-500-E-3AP4-6	1492365	VZWF-L-M22C-N2-500-3AP4-6-R1
		1492197	VZWF-L-M22C-N2-500-V-1P4-6	1492301	VZWF-L-M22C-N2-500-V-2AP4-6-R1
		1492293	VZWF-L-M22C-N2-500-V-2AP4-6	1492285	VZWF-L-M22C-N2-500-E-2AP4-6-R1
	1492389	VZWF-L-M22C-N2-500-V-3AP4-6	1492381	VZWF-L-M22C-N2-500-E-3AP4-6-R1	