

Accessories for valves and valve terminals VAME, mounting attachments

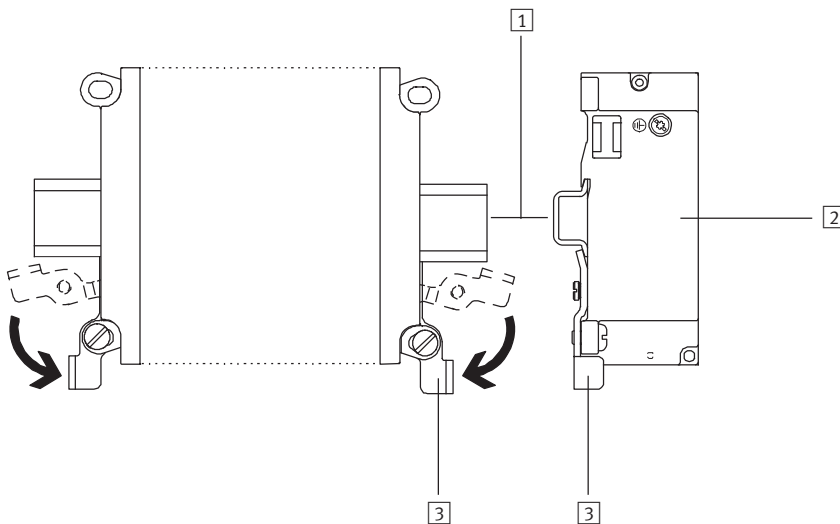
Technical data

Mounting attachments enable valve terminals to be attached to walls and machine parts.



Examples illustrating H-rail mounting

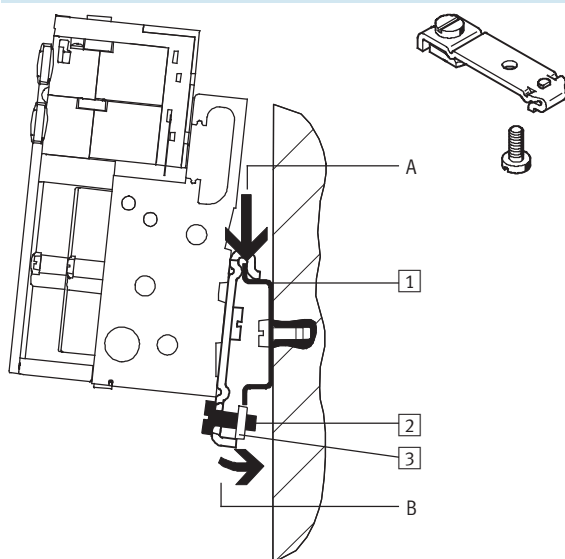
Via swivel levers



The valve terminal is attached to the H-rail and locked with the swivel lever.

- 1 H-rail
- 2 Valve terminal
- 3 Swivel lever

Via mounting rail



The valve terminal is attached to the H-rail (see arrow A) and then swivelled onto the H-rail and secured in place with the clamping component (see arrow B).

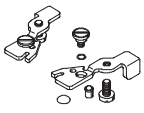
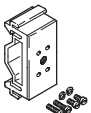
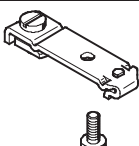

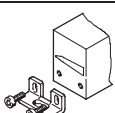

- 1 Holes for wall mounting
- 2 Self-tapping M4x10 screw of the H-rail clamping unit
- 3 Clamping component of the H-rail clamping unit

- 1 - Type to be discontinued
Available until 2015

Accessories for valves and valve terminals VAME, mounting attachments

FESTO

Technical data

Ordering data						
	Weight [g]	Material	Function	Dimensions [mm]	Part No.	Type
	69.6	Cold rolled steel	Mounting attachment (set) for attaching suitable valve terminals/modules to an H-rail. Has a small swivel lever on the right and left and mounting accessories.	62x24x13.5 (LxWxH) Material thickness: 3	18649	IBGH-03-4,0
	79.5		Mounting attachment (set) for attaching suitable valve terminals/modules to an H-rail. Has a small swivel lever on the left, a large swivel lever on the right and mounting accessories.	62x24x13.5 81x24x13.5 (LxWxH) Material thickness: 3	18747	IBGH-03-7,0
	35.1	Steel/polymer	Base for H-rail mounting. Is screwed onto the component and the entire unit can then be placed on an H-rail.	47x12x18.1 (LxWxH)	170169	CP-TS-HS-35
	29.9	Cold rolled steel	Mounting accessories (set) for H-rail mounting. Is screwed onto the component and the entire unit can then be placed on an H-rail. Includes M4x10 screw (combi cross-slot screws).	49.1x13x8.7 (LxWxH) Material thickness: 2	527392	CPASC-BG-NRH
	8.8	Fine grained cold pressed steel	Mounting bracket for mounting valve terminals on even surfaces. Includes 2 M3x9 screws (2.5 A/F internal hexagon socket).	18 x 15 (LxW) Material thickness: 2	534416	VMPA-BG-RW
	23.5	Structural steel ¹⁾	Mounting bracket for mounting valve terminals on even surfaces. Includes 2 M3x10 screws (cross slot).	20 x 34 (LxW) Material thickness: 2	18678	IBGW-03
	60	According to individual components	Mounting set for CDVI valve terminal; for mounting on machine parts.	–	534436	CDSV5.0
	–	Galvanised steel	Screw available as spare part, to DIN 912.	L: 45; Thread: M3	527643	M3x45

1) RoHS-compliant

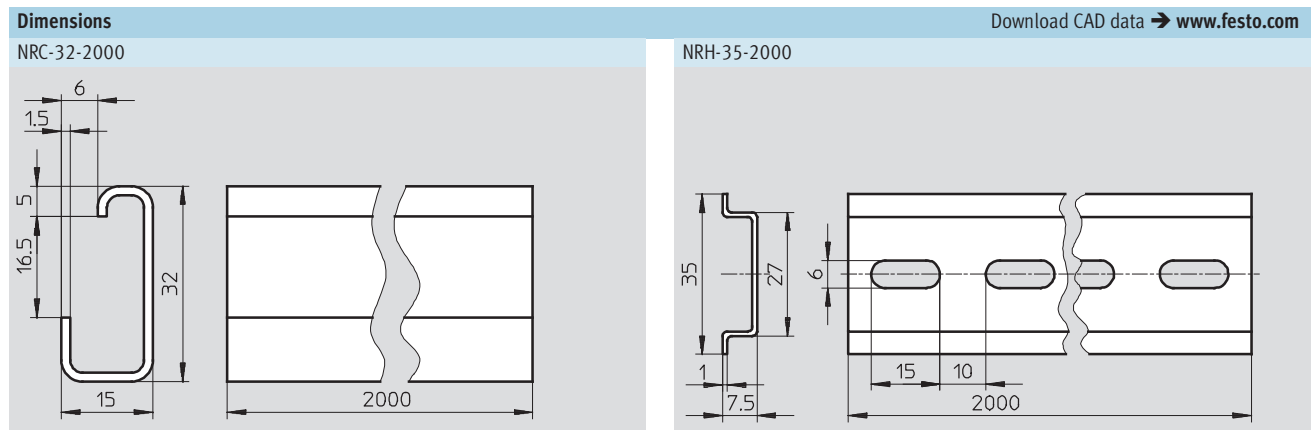
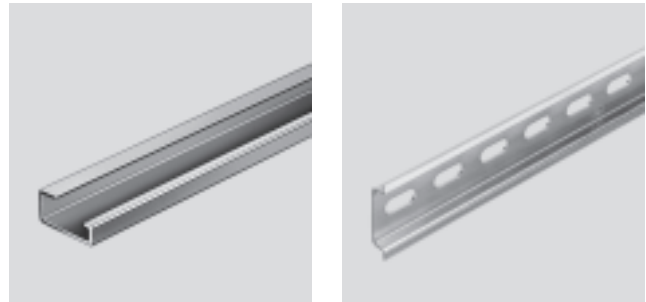
Accessories for valves and valve terminals VAME, mounting attachments

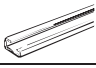

Technical data

Mounting rail NR

Mounting rails for manifold mounting of components.

- G rail to DIN EN 50035
- H-rail to EN 60715



Ordering data						
	Description	Length [m]	Product weight [g]	Material	Part No.	Type
	G-rail to DIN EN 50 035	2	1,400	Galvanised steel	6756	NRC-32-2000
	H-rail to EN 60715	2	600	Galvanised steel	35430	NRH-35-2000¹⁾

1) Free of copper, PTFE and silicone