

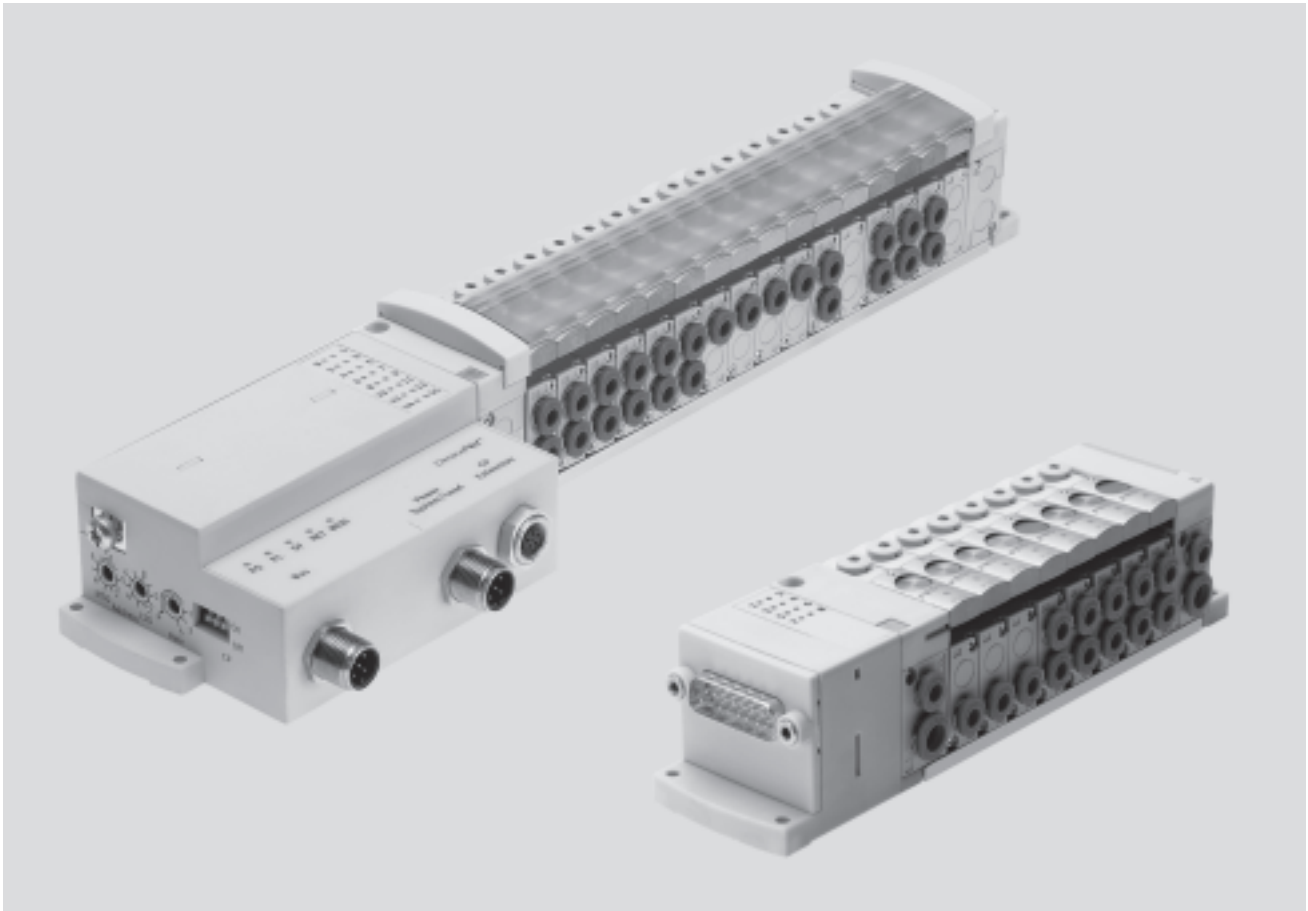
Valve terminals CPV-SC, Smart Cubic



Valve terminals CPV-SC, Smart Cubic

Key features

FESTO



Innovative

- Small, compact valve terminal for a wide range of pneumatic applications
- Enormous flexibility during planning, assembly and operational use
- Multi-pin plug connection and fieldbus interface
- Wide range of selectable valve functions; 5/2-way, 3/2-way and 2/2-way functions
- With flow rates of up to 170 l/min, CPV-SC offers outstanding pneumatic performance for a wide range of applications
- Low weight

Versatile

- Provides 2 ... 16 valve positions on one terminal
- Ideally suited for operating small pneumatic drives in tight spaces
- The flexibility of the pneumatic working ports provides a practical solution to different requirements
- Round silencers, integrated flat plate silencers or screw/plug connection for ducted exhaust air
- Suitable for vacuum
- Enables multiple pressure zones on a single valve terminal

Reliable

- Manual override
- Durable thanks to the use of tried and tested piston spool valves
- Sturdy thanks to metal housing and connecting thread
- Fast troubleshooting thanks to an LED on each valve and diagnostics via fieldbus

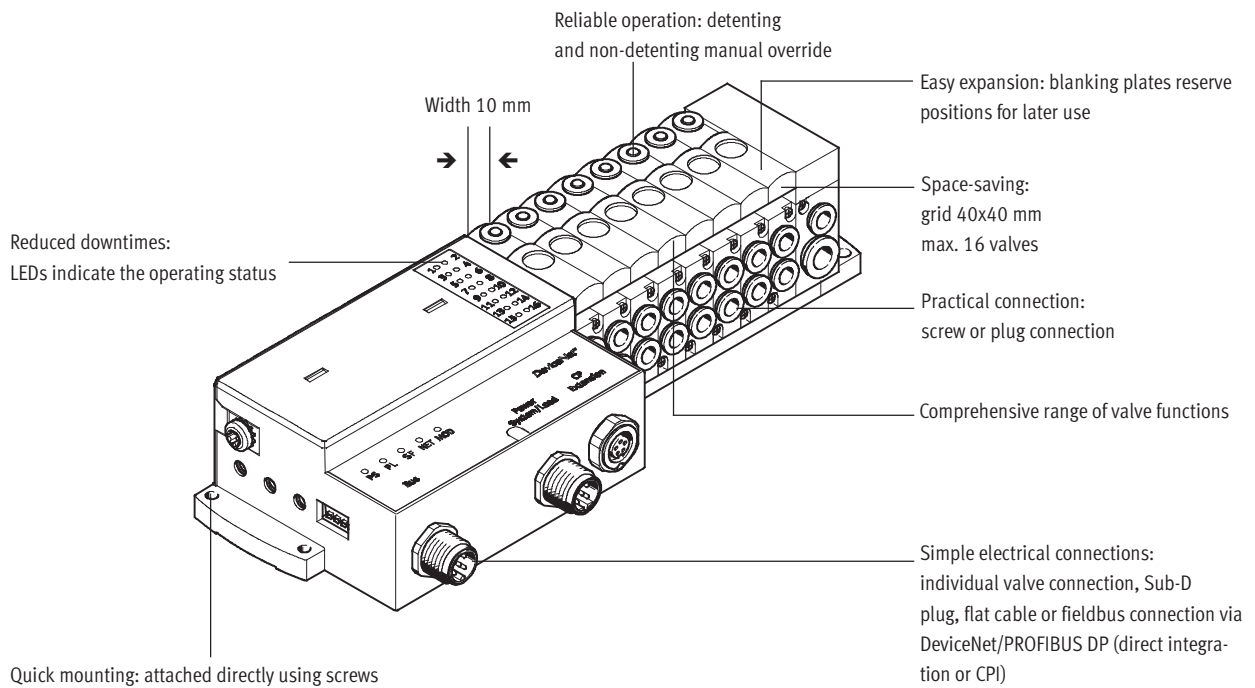
Easy to mount

- Fully assembled and tested valve terminal
- Less complicated when ordering, installing and commissioning
- Suitable for direct mounting even on moving system components

Valve terminals CPV-SC, Smart Cubic

Key features

FESTO



Equipment options

Valve functions

- 5/2-way valve, single solenoid
- 5/2-way valve, double solenoid
- 3/2-way valve, normally open
- 3/2-way valve, normally closed
- 2/2-way valve, normally closed

Separator plate with additional compressed air supply

- Compressed air channel (1) closed
- Compressed air channel (1) and exhaust duct (3/5) closed

Blanking plate

- Plate without valve function for reserving a valve position

Electrical connection options

Individual connection

- 2 ... 16 valve positions/ max. 16 solenoid coils
- Individual connection, horizontal (H)
- Individual connection, vertical (T)

Multi-pin plug

- 4 ... 16 valve positions/ max. 16 solenoid coils
- Sub-D
- Flat cable

Fieldbus Direct

- 4 ... 16 valve positions/ max. 16 solenoid coils
- PROFIBUS
- DeviceNet

CP string extension

- Further valve terminals CPV-SC-CPI or from the CPV/CPA range
- Electrical I/O modules

CPI interface

- 4 ... 16 valve positions/ max. 16 solenoid coils
- Further valve terminals CPV-SC-CPI or from the CPV/CPA range

Valve terminals CPV-SC, Smart Cubic



Key features

Valve terminal configurator

Online via: → www.festo.com

Selecting a CPV-SC valve terminal using the online catalogue is quick and easy thanks to the convenient valve terminal configurator provided. This makes it much easier to order the right product. The valve terminals are assembled according to your order specifications and are individually tested. This reduces the assembly and installation time to a minimum. The valve terminal CPV-SC is ordered using the order code.



Ordering system for CPV-SC

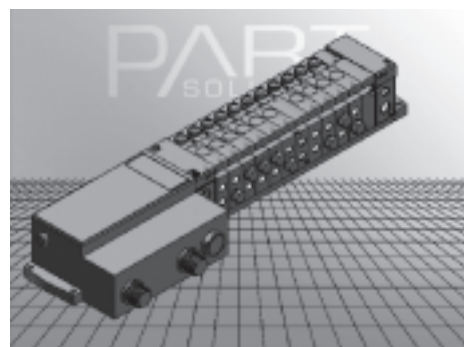
→ Internet: cpv-sc

2D/3D CAD data

Online via: → www.festo.com

You can request the CAD data for a valve terminal you have configured. To do so, perform the product search as described above. Go to the shopping basket and click on the CAD icon

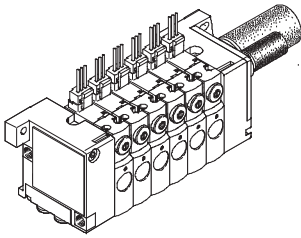
(compass). On the next page you can generate a 3D preview or request another data format of your choice by e-mail.



Valve terminals CPV-SC, Smart Cubic

Key features

Individual connection



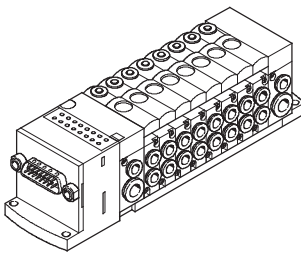
Connection is independent of the control technology used and is flexible thanks to ready to install cables. This ensures correct polarity during installation.

Valves with integrated LED (CPVSC1-M1LH- ...) are available as an option for switching status display. Individual connection permits the selection of 2 to 16 solenoid coils (divided between 2 to 16 valve positions).

Variants

- Individual connection, horizontal
- Individual connection, vertical
- 2 to 16 solenoid coils

Multi-pin plug connection



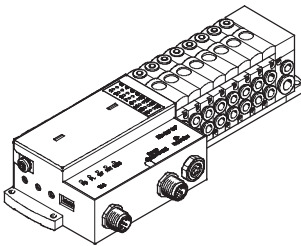
Control signals to the valve terminal are transmitted via a pre-assembled multi-core cable, which substantially reduces installation time.

The multi-pin plug connection enables the selection of 4 to 16 solenoid coils (divided between 4 to 16 valve positions).

Variants

- Sub-D connection
- Flat cable connection
- 4 to 16 solenoid coils

Fieldbus Direct



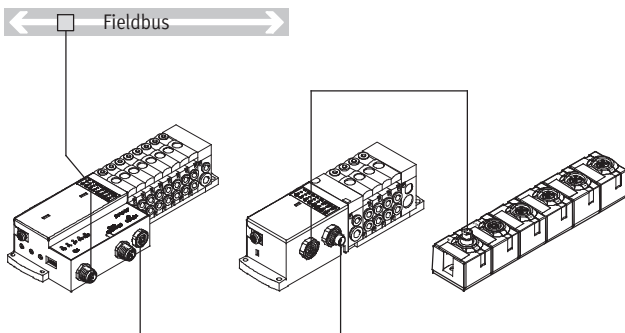
An integrated fieldbus node manages the communication connection to a higher-order PLC. This enables a space-saving pneumatic and electronic solution.

The fieldbus connection enables the selection of 4 to 16 solenoid coils (divided between 4 to 16 valve positions).

Variants

- DeviceNet connection (CP functionality)
- PROFIBUS connection (CPI functionality)
- 4 to 16 solenoid coils

Fieldbus Direct with CP string extension



The optional string extension enables additional valve terminals and I/O modules to be connected to the fieldbus node of the CPV-SC. A CP string of the CPI installation system is integrated in the fieldbus node as an extension. Different input and output modules as well as CPV, MPA, CPV-SC, CPA valve terminals can be connected. The maximum length of the CP string extension is 10 metres, which means that the extension modules can be mounted directly on-site. All of the required electrical signals are transmitted via the CP cable, which in turn means that no further installation is needed on the extension module.

The CP string interface offers:

- Logic and sensor supply for the input modules
- Load voltage supply for the valve terminals
- Logic supply for the output modules

With CP functionality:

- 16 input signals
- 16 output signals for output modules 24 V DC or solenoid coils

With CPI functionality:

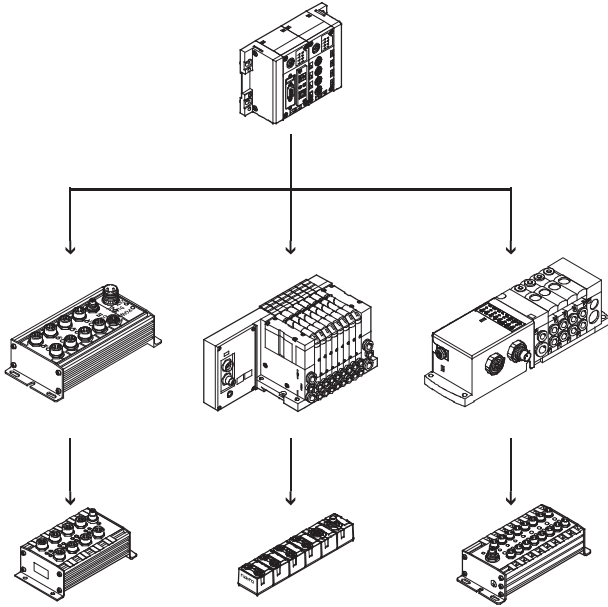
- 32 input signals
- 32 output signals for output modules 24 V DC or solenoid coils

Valve terminals CPV-SC, Smart Cubic

Key features

FESTO

CPI installation system



Valve terminal for CPI installation system:

Valve terminals with CP connection are intended for connection to higher-order fieldbus nodes or to control blocks. A fieldbus node or control block also enables the connection of decentralised input/output units. The following fieldbus protocols are supported:

- Festo fieldbus, ABB CS31, Moeller Suconet K
- INTERBUS
- Allen Bradley (1771 RIO)
- DeviceNet
- PROFIBUS DP, 12 MBd
- CC-Link
- CANopen
- Modbus/TCP
- Ethernet
- PROFINET
- EtherCAT

Four strings with up to 32 inputs and outputs can be connected to a fieldbus node or control block. The connecting cables transmit the power supply for the input modules and the load voltage for the valves as well as control signals.

Further information

➔ Internet: ctec

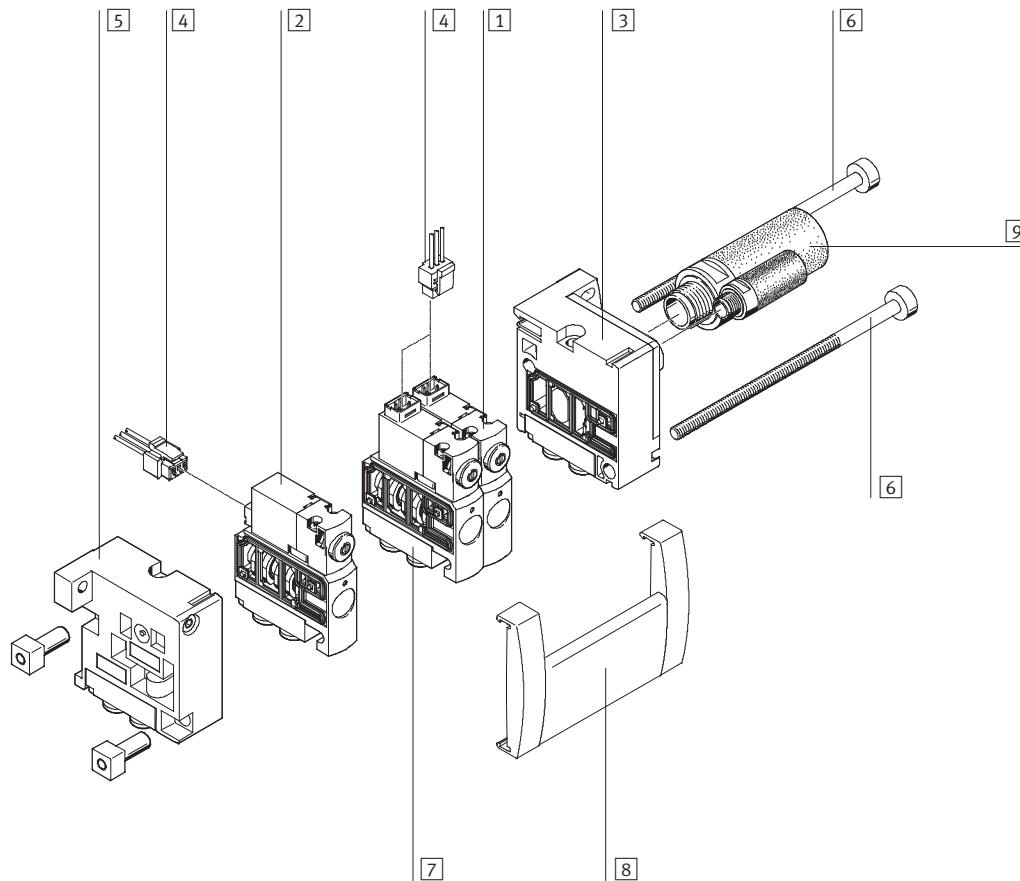
Valve terminals CPV-SC, Smart Cubic

Peripherals overview

Overview – CPV-SC valve terminal

Valve terminal with individual electrical connections

- Vertical individual connection
Code: T
 - Horizontal individual connection
Code: H
- Valve terminals with individual electrical connection can be equipped with 2 to max. 16 valve positions.
- Each valve position can either be equipped with a valve or a blanking plate.



- | | | | |
|-------------------------------------------------|-------------------------------------------------------------------------|------------------------------------------------------------|----------------------------|
| 1 Valve with vertical individual connection | 4 Plug socket with cable for individual electrical connection of valves | 6 Tie rod | 8 Inscription label holder |
| 2 Valve with horizontal individual connection | 5 Left-hand end plate for compressed air supply 1 or 12/14 | 7 Sub-base for working ports (push-in fitting or threaded) | 9 Silencer |
| 3 Right-hand end plate for unducted exhaust air | | | |

Valve terminals CPV-SC, Smart Cubic

Peripherals overview

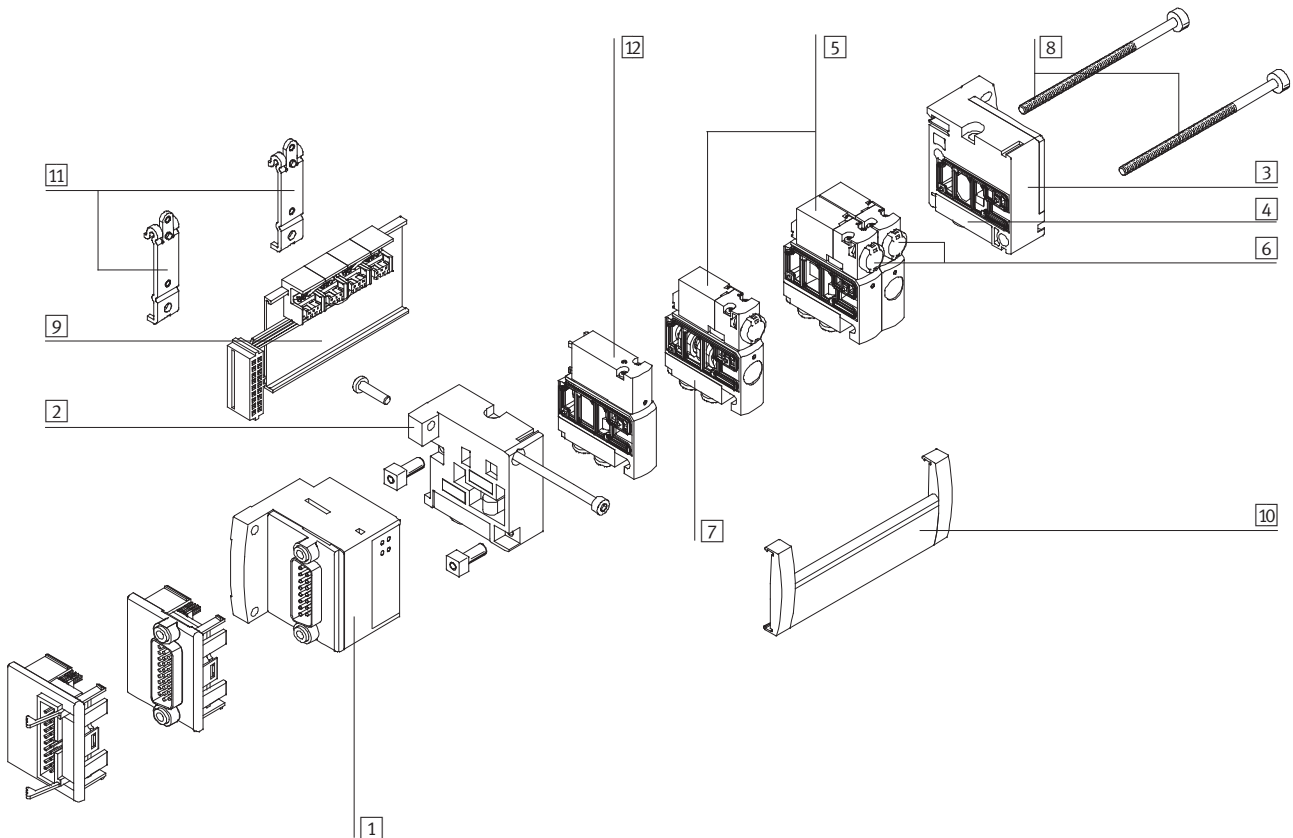
Valve terminal with electrical multi-pin plug connection

- 15- and 26-pin Sub-D multi-pin plug connection
Code: MS, MH
- or
- 20-pin multi-pin plug connection with connector for flat cable
Code: MF

Valves and end plates are the basic pneumatic components of the valve terminal.
The valve terminals are connected to the end plates using tie rods.

Valve terminals with electrical multi-pin plug connection can be equipped with 4 to max. 16 valve positions.
Each valve position can either be equipped with a valve or a blanking plate.

The electrical connection is located on the left-hand side, thereby allowing flush mounting of the system.



- | | | | |
|----------------------------------------------------------------------------------------------------------------------------------------------------------------------|-----------------------------------------------------------------------------------------------------------------------------------------------------------------------|----------------------------------------------------------------------------------------------------------------------------------|----------------------------------------------------------------------------------------------------------------------------------------------------|
| <p>1 Electrical control unit (with LED switching status displays) for Sub-D plug or flat cable</p> <p>2 Left-hand end plate for compressed air supply 1 or 12/14</p> | <p>3 Right-hand end plate for ducted exhaust air or silencer (3/5 or 82/84)</p> <p>4 Sub-base for ducted exhaust air (push-in fitting or threaded)</p> <p>5 Valve</p> | <p>6 Cover for manual override (optional)</p> <p>7 Sub-base for working ports (push-in fitting or threaded)</p> <p>8 Tie rod</p> | <p>9 Electrical valve linking module</p> <p>10 Inscription label holder</p> <p>11 H-rail mounting</p> <p>12 Blanking plate for vacant position</p> |
|----------------------------------------------------------------------------------------------------------------------------------------------------------------------|-----------------------------------------------------------------------------------------------------------------------------------------------------------------------|----------------------------------------------------------------------------------------------------------------------------------|----------------------------------------------------------------------------------------------------------------------------------------------------|

Valve terminals CPV-SC, Smart Cubic

Peripherals overview

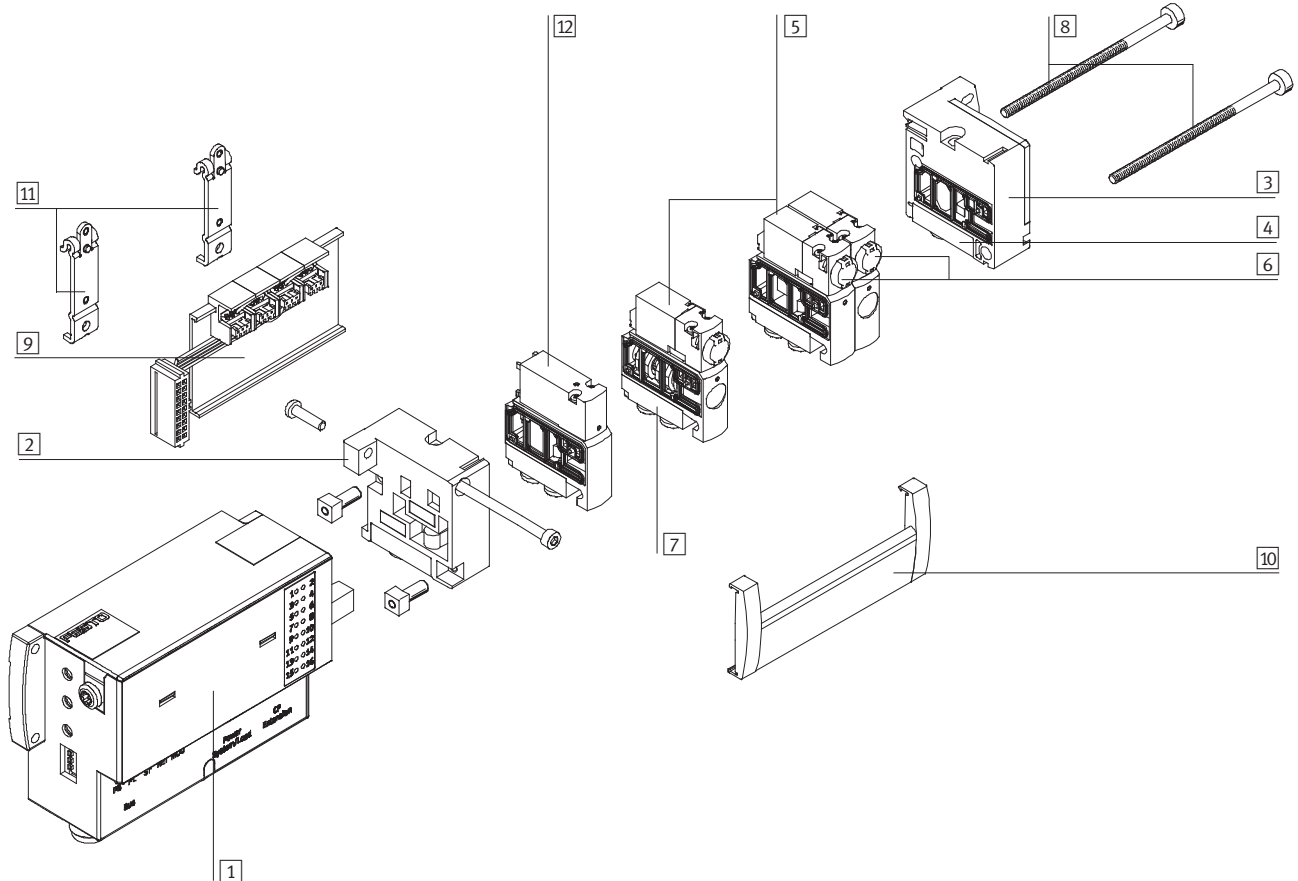
Valve terminal with Fieldbus Direct

- M12 A-coded DeviceNet connection
Code: DN
or
- 9-pin Sub-D connection for PROFIBUS
Code: DP

Valves and end plates are the basic pneumatic components of the valve terminal. The valve terminals are connected to the end plates using tie rods.

Valve terminals with Fieldbus Direct DeviceNet/PROFIBUS DP can be equipped with 4 to max. 16 valve positions. Each valve position can either be equipped with a valve or a blanking plate.

The electrical connection is in the same direction as the tubing in order to save space.



- | | | | |
|--------------------------------------------------------------------------|-----------------------------------------------------------------|------------------------------------------------------------|---------------------------------------|
| 1 Fieldbus Direct | 4 Sub-base for ducted exhaust air (push-in fitting or threaded) | 7 Sub-base for working ports (push-in fitting or threaded) | 10 Inscription label holder |
| 2 Left-hand end plate for compressed air supply 1 or 12/14 | 5 Valve | 8 Tie rod | 11 H-rail mounting |
| 3 Right-hand end plate for ducted exhaust air or silencer (3/5 or 82/84) | 6 Cover for manual override (optional) | 9 Electrical valve linking module | 12 Blanking plate for vacant position |

Valve terminals CPV-SC, Smart Cubic

Peripherals overview

FESTO

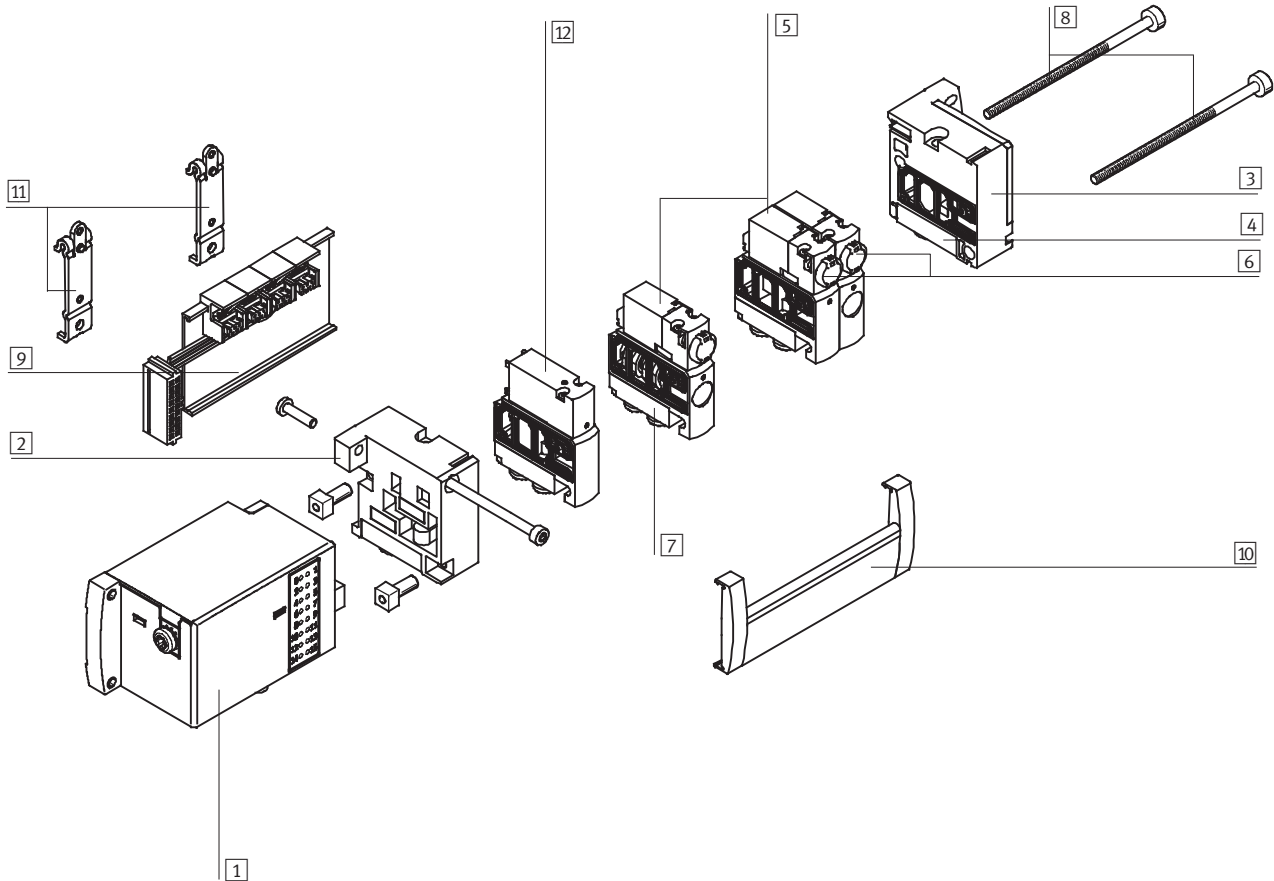
Valve terminal with CPI connection

CP interface M9, 5-pin
Code: CP

Valves and end plates are the basic pneumatic components of the valve terminal. The valve terminals are connected to the end plates using tie rods.

Valve terminals with CPI interface can be equipped with 4 to max. 16 valve positions. Each valve position can either be equipped with a valve or a blanking plate.

The electrical connection is in the same direction as the tubing in order to save space.



- | | | | |
|---------------------------------------------------------------------------------|------------------------------------------------------------------------|-------------------------------------------------------------------|----------------------------------------------|
| 1 CPI connection | 4 Sub-base for ducted exhaust air (push-in fitting or threaded) | 7 Sub-base for working ports (push-in fitting or threaded) | 10 Inscription label holder |
| 2 Left-hand end plate for compressed air supply 1 or 12/14 | 5 Valve | 8 Tie rod | 11 H-rail mounting |
| 3 Right-hand end plate for ducted exhaust air or silencer (3/5 or 82/84) | 6 Cover for manual override (optional) | 9 Electrical valve linking module | 12 Blanking plate for vacant position |

Valve terminals CPV-SC, Smart Cubic

Key features – Pneumatic components

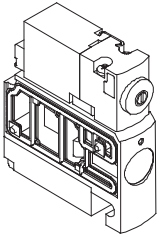
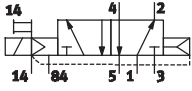
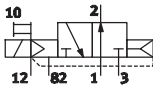

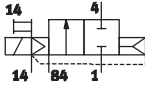
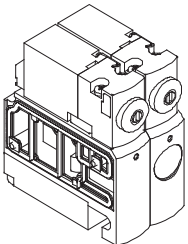
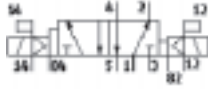
Valves

CPVSC1 valves are valves with integrated sub-base, i.e. in addition to the valve function they contain all of the ducts for supply, exhaust and the

working ports. The supply ducts are a central component of the valve slices and enable a direct flow of air. This helps achieve maximum flow rates. All

valves have a pneumatic pilot control for optimising performance. The valve function is based on a piston spool system with a patented sealing prin-

ciple that guarantees its suitability for a wide range of applications as well as a long service life.

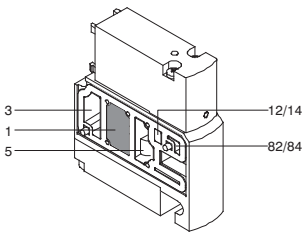
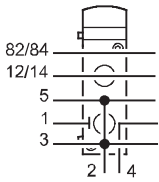
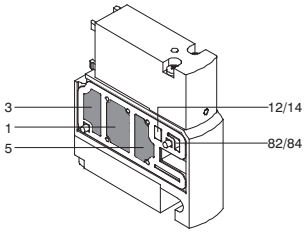
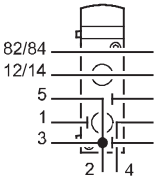
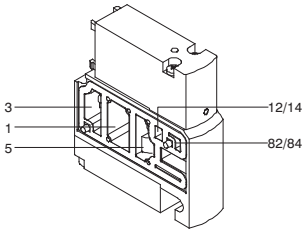
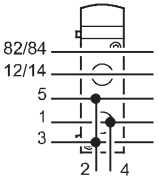
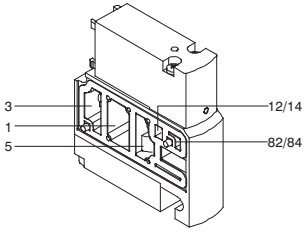
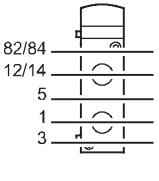
Valve functions	Code	Circuit symbol	Valve size 10 mm	Description
	M		■	5/2-way single solenoid valve <ul style="list-style-type: none"> • Pneumatic spring return
	N		■	3/2-way single solenoid valve <ul style="list-style-type: none"> • Normally open • Pneumatic spring return
	K		■	3/2-way single solenoid valve <ul style="list-style-type: none"> • Normally closed • Pneumatic spring return
	D		■	2/2-way single solenoid valve <ul style="list-style-type: none"> • Normally closed • Pneumatic spring return
	J		■	5/2-way double solenoid valve This valve consists of two valve housing units and therefore occupies two valve positions. The pilot control with coil 12 is located on the left and labelled "J12". If both coils are actuated, the signal at port "14" dominates in switching position.

-  - Note

For vacuum operation valves require a filter. This is to avoid that foreign matter is drawn into the valve (e.g. when using a suction cup).

Valve terminals CPV-SC, Smart Cubic

Key features – Pneumatic components

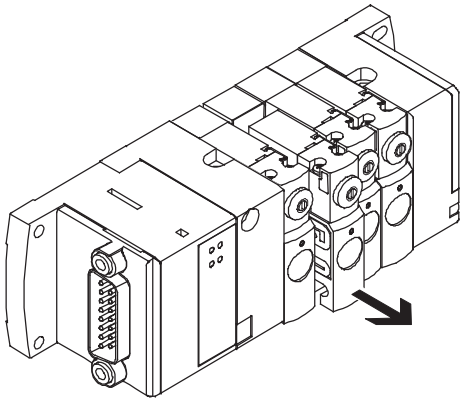
Valves				
Valve functions	Code	Circuit symbol	Valve size 10 mm	Description
Pneumatic supply plate with duct separation				
	T		■	Compressed air channel (1) closed For separating pressure zones with a common exhaust. (Using pressure zones → 14) Pneumatic connection: QS-4, M5
	S		■	Compressed air channel (1) and exhaust duct (3/5) closed For separating pressure zones with a separate exhaust. (Using pressure zones → 14) Pneumatic connection: QS-4, M5
Pneumatic supply plate without duct separation				
	U		■	Additional compressed air supply (1) and additional exhaust (3/5). Pneumatic connection: QS-4, M5
Blanking plate				
	L		■	Plate without valve function for reserving a valve position. No pneumatic connection

In the case of compressed air supply configuration code S or T (exhausting via flat plate silencer), a plug-in silencer UC-QS-4H is included with supply plates.

Valve terminals CPV-SC, Smart Cubic

Key features – Pneumatic components

Constructional design



Valve replacement

Valves can be replaced quickly and easily in just a few movements. Separating seals between the valves are based on a metal support and are secured in place.

Extension

Valves can be ordered as accessories and are available with fully assembled sub-bases with QS or threaded connections. The functionality of the valve terminal can therefore be extended by equipping vacant positions. For ordering purposes, valves have the valve code printed on the front and the product type on the back.

Materials

The valve housing and thread in the sub-bases are metallic, while other housing sections are made from robust plastic materials.



Note

The valve with the working sub-base has been tested by Festo for leak tightness.

Pilot air supply

The port for the main pneumatic supply is located on the left-hand end plate.

The ports differ for the following types of pilot air supply:

- Internal
- External

Internal pilot air supply

An internal pilot air supply can be selected if the terminal is working in an operating pressure range between 3 and 7¹⁾ bar.

The pilot air supply in the left-hand end plate is then branched from the compressed air supply 1 using an internal connection. The port 12/14 is closed using a blanking plug.

External pilot air supply

If the terminal is working in an operating pressure range from -0.9 to 3 bar, you must operate your CPV-SC valve terminal using an external pilot air supply. The pilot air supply is also supplied via port 12/14 on the left-hand end plate in this case.

1) 8 bar upon request

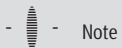
Creation of pressure zones and separation of exhaust air

The CPV-SC valve terminal can be operated with multiple pressure zones. After two zones, a supply with duct separation is required for each subsequent pressure zone. It always

occupies one valve position. An isolating disc T separates the compressed air supply of a valve group on the left from the compressed air supply of a valve group on the right. The right-

hand pressure zone is supplied at port 4 of the supply plate. Port 2 also allows the left-hand pressure zone to be exhausted. All of the exhaust ducts of the valve are interconnected and

are exhausted through the right-hand end plate. An isolating disc S also separates exhaust ducts 3 and 5 in addition to pressure duct 1.



Note

Larger or simultaneously operating cylinders generate a back pressure in the exhaust duct of the valve terminal, the level of which depends on the exhaust capacity of the silencer.

In order to prevent interaction with adjacent valves, valves can be separated by means of duct separation using isolating disc S. The pressure zone located to the left of an isolating

disc S is exhausted using the supplied plug-in silencer. Where there are more than two valves in such a pressure zone, an additional supply with additional exhaust may be required.

It is therefore useful to meet the higher exhaust requirements in the pressure zone that is exhausted by the right-hand end plate.

Valve terminals CPV-SC, Smart Cubic

Key features – Pneumatic components

Creating pressure zones		
	Code	Description
	S	Duct 1 and 3/5 separated
	T	Duct 1 separated

Pneumatic working ports		
	Code	Description
Working port		
	B	M5 threaded connection
	E	QS-3 push-in connector
	F	QS-4 push-in connector
Supply port, left-hand end plate		
	C	Threaded connection <ul style="list-style-type: none"> • M7 (internal pilot air supply) • M5 and M7 (external pilot air supply)
	G	Push-in connection <ul style="list-style-type: none"> • QS-6 (internal pilot air supply) • QS-4 and QS-6 (external pilot air supply)

Valve terminals CPV-SC, Smart Cubic

Key features – Pneumatic components

Ports for supply and exhaust

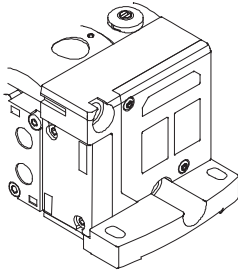
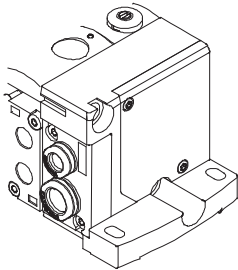
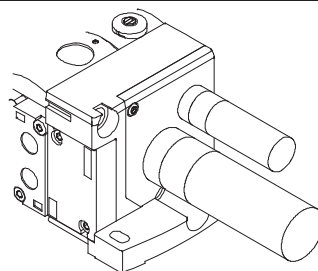
Supply and exhaust

A basic feature of a CPV-SC valve terminal are the two end plates.

The left-hand end plate is used to supply compressed air, while the right-hand end plate is used to exhaust the valve terminal.

Exhaust air escapes either via an integrated flat plate silencer, round silencer or via a push-in or threaded connection.

Ports for exhaust

	Code	Description
	S	<ul style="list-style-type: none"> Internal pilot air supply Exhaust from duct 3/5 as well as 82/84 is via a flat plate silencer Replacement part (insert) for flat plate silencer: Type CPVSC1-UA
	T	<ul style="list-style-type: none"> External pilot air supply Exhaust from duct 3/5 as well as 82/84 is via a flat plate silencer Replacement part (insert) for flat plate silencer: Type CPVSC1-UA
	V	<ul style="list-style-type: none"> Internal pilot air supply Exhaust from duct 3/5 as well as 82/84 is via ducted exhaust air
	X	<ul style="list-style-type: none"> External pilot air supply Exhaust from duct 3/5 as well as 82/84 is via ducted exhaust air
	Y	<ul style="list-style-type: none"> Internal pilot air supply Exhaust from duct 3/5 as well as 82/84 is via a round silencer
	Z	<ul style="list-style-type: none"> External pilot air supply Exhaust from duct 3/5 as well as 82/84 is via a round silencer

Valve terminals CPV-SC, Smart Cubic

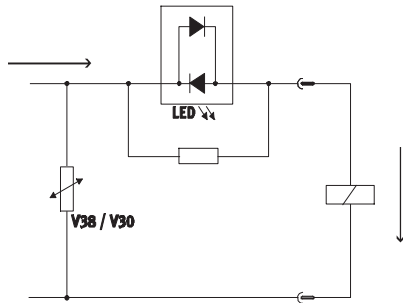
Key features – Pneumatic components

Pneumatic supply		
End plate combination	Code	Description
	S	Internal pilot air supply, flat plate silencer For operating pressure in the range 3 ... 7 bar
	T	External pilot air supply, flat plate silencer For operating pressure in the range -0.9 ... +7 bar
	V	Internal pilot air supply, ducted exhaust air For operating pressure in the range 3 ... 7 bar
	X	External pilot air supply, ducted exhaust air For operating pressure in the range -0.9 ... +7 bar
	Y	Internal pilot air, round silencer For operating pressure in the range 3 ... 7 bar
	Z	External pilot air supply, round silencer For operating pressure in the range -0.9 ... +7 bar

Valve terminals CPV-SC, Smart Cubic

Key features – Electrical components

Protective circuit



Each solenoid coil is protected with a spark arresting protection circuit as well as against polarity reversal.

Electrical multi-pin plug connection

The following multi-pin plug connection types are offered for the valve terminal CPV-SC:

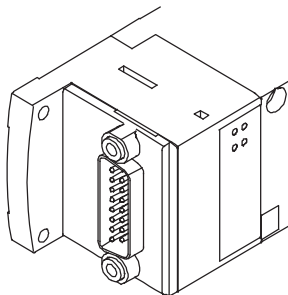
- Sub-D multi-pin plug connection (15- and 26-pin) or
- Multi-pin plug connection with connector for flat cable (20-pin)

CPV-SC is connected via a multi-pin plug connection with Sub-D or flat cable. Each pin of the multi-pin plug is assigned a maximum of one valve position and therefore one coil or one address.

Double solenoid valves “J” occupy two valve positions. The left-hand valve position with pilot control 12 is actuated by the less significant of the two addresses.

Electrical multi-pin plug connection – Sub-D

Code MS, MH



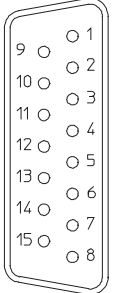

With this electrical connection variant, all valves are centrally actuated via the 15 and 26-pin connector plug. The electrical connection is located on the left-hand side.

Ordering data – Connecting cable Sub-D

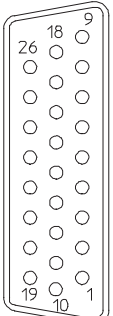

	Code	Description	Cable length [m]	Part No.	Type
	CP	15-pin for 12 coils (code MS)	2.5	527543	KMP6-15P-12-2,5
	CQ	Material: PVC	5	527544	KMP6-15P-12-5
	CR		10	527545	KMP6-15P-12-10
	CP		26-pin for 16 coils (code MH)	2.5	527546
	CQ	Material: PVC	5	527547	KMP6-26P-16-5
	CR		10	527548	KMP6-26P-16-10

Valve terminals CPV-SC, Smart Cubic

Key features – Electrical components

Pin allocation for 15-pin Sub-D (code MS)				
KMP6-15P-12-...	Description	Pin	Core colour	Address/coil
	Plug socket with cable for the CPV-SC valve terminal with max. 12 valve positions	1	White	Coil 0
		2	Brown	Coil 1
		3	Green	Coil 2
		4	Yellow	Coil 3
		5	Grey	Coil 4
		6	Pink	Coil 5
		7	Blue	Coil 6
		8	Red	Coil 7
		9	Black	Coil 8
	 Note The drawing shows a plan view of the Sub-D socket on the multi-pin cable KMP6-15P-12-....	10	Purple	Coil 9
		11	Grey-pink	Coil 10
		12	Red-blue	Coil 11
		13	White-green	n.c.
		14	Brown-green	0 V ¹⁾
		15	White-yellow	0 V ¹⁾

1) Pin 14 to pin 15 are bridged in the valve terminal.
 0 V for positive switching control signals; 24 V can be connected for negative switching control signals.

Pin allocation for 26-pin Sub-D (code MH)				
KMP6-26P-16-...	Description	Pin	Core colour	Allocation
	Plug socket with cable for the CPV-SC valve terminal with 16 valve positions	1	White	Coil 0
		2	Brown	Coil 1
		3	Green	Coil 2
		4	Yellow	Coil 3
		5	Grey	Coil 4
		6	Pink	Coil 5
		7	Blue	Coil 6
		8	Red	Coil 7
		9	Black	Coil 8
		10	Purple	Coil 9
		11	Grey-pink	Coil 10
		12	Red-blue	Coil 11
		13	White-green	Coil 12
		14	Brown-green	Coil 13
		15	White-yellow	Coil 14
		16	Yellow-brown	Coil 15
	 Note The drawing shows a plan view of the Sub-D socket on the multi-pin cable KMP6-26P-12-....	17	–	n.c.
		18	–	n.c.
		19	–	n.c.
		20	–	n.c.
		21	–	n.c.
		22	–	n.c.
		23	White-grey	0 V ¹⁾
		24	Grey-brown	0 V ¹⁾
		25	White-pink	0 V ¹⁾
		26	Pink-brown	0 V ¹⁾

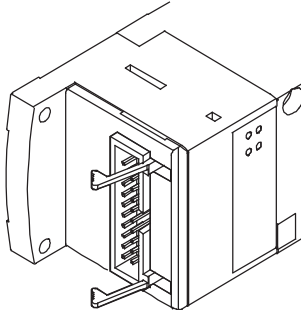
1) Pin 17 to pin 22 are bridged in the valve terminal.
 0 V for positive switching control signals; 24 V can be connected for negative switching control signals.

Valve terminals CPV-SC, Smart Cubic

Key features – Electrical components

Electrical multi-pin plug connection – Connector for flat cable

Code MF



With this electrical connection variant, all valves are centrally actuated via the 20-pin connector plug. The electrical connection is located on the left-hand side.

Pin allocation – Connector for flat cable (code MF)

	Pin	Allocation
		CPV-SC valve terminal with up to 16 valve positions and 20-pin multi-pin socket for flat cables to DIN 41561-1, -2 or IEC 60603-13-C020FD-7C1E-2G
		Contact surface gold Flat cable grid 1.27 mm Conductor cross section 0.13 mm ²
	1	Coil 0
	2	Coil 1
	3	Coil 2
	4	Coil 3
	5	Coil 4
	6	Coil 5
	7	Coil 6
	8	Coil 7
	9	Coil 8
	10	Coil 9
	11	Coil 10
	12	Coil 11
	13	Coil 12
	14	Coil 13
	15	Coil 14
	16	Coil 15
	17	0 V ¹⁾
	18	0 V ¹⁾
19	0 V ¹⁾	
20	0 V ¹⁾	

1) Pin 17 to pin 20 are bridged in the valve terminal.

Valve terminals CPV-SC, Smart Cubic

Key features – Electrical components

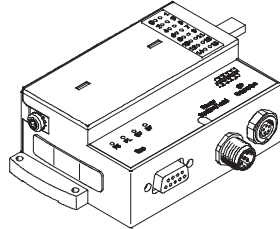
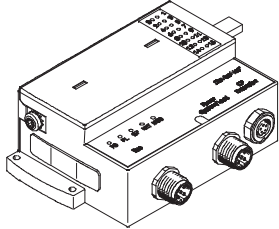


Fieldbus Direct

DeviceNet

PROFIBUS DP

Properties

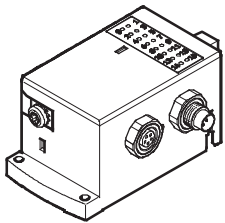


Fieldbus Direct is a system for the compact connection of a valve terminal of various sizes to different fieldbus standards.
The CP string extension option allows the functions and components of the CPI installation system to be used.

The I/O modules and cables for the CP string extension are ordered using the order code for the CPI installation system.

➔ Internet: ctec

Fieldbus connection CP

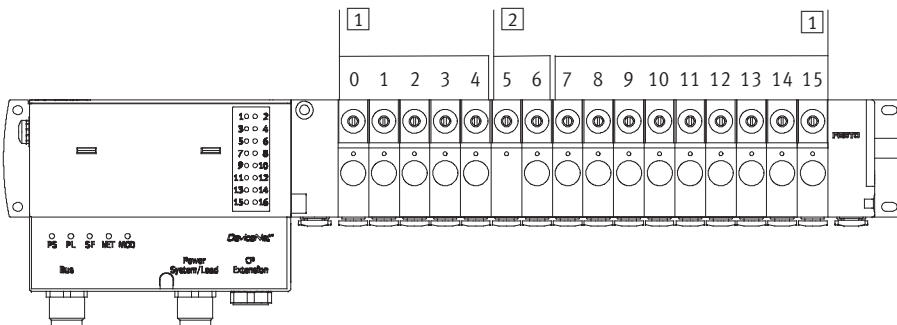


All CP valve terminals and CP modules are connected using a ready to install CP cable, and are attached to the CP interface. Four modules, for example one CPV-SC valve terminal and one to three CP input modules, make up an installation string that ends at the CP

interface. The installation system supports a maximum of 4 installation strings, which can be connected to a CP fieldbus node.
The CP interface of CPV-SC is represented in the CP/CPI system by a module with 16 outputs.

Note
Further information can be found in
➔ Internet: ctec

Address allocation – Solenoid coils



1 Single solenoid valves occupy one valve position

2 Double solenoid valves occupy two valve positions

Example:

Valve terminal where valve positions 5 and 6 are prepared for double solenoid valves.

The addresses of the valve positions on the CPV-SC-DN/CPV-SC-DP are assigned from left to right. Each valve position has an address, regardless of whether or not a valve is mounted there.

Double solenoid valves “J” occupy two valve positions. The left-hand valve position with pilot control 12 is actuated by the less significant of the two addresses.

Valve terminals CPV-SC, Smart Cubic

Key features – Display and operation

Display and operation

The switching status of every solenoid coil is displayed on the control unit LED. Inscription labels (type MH-BZ-80x) can be applied to each valve for labelling purposes.

The manual override (MO) allows the valve to be activated without electronic control or power supply. The valve is activated by pushing the manual override. The set switching status can also be secured by rotating the manual override.

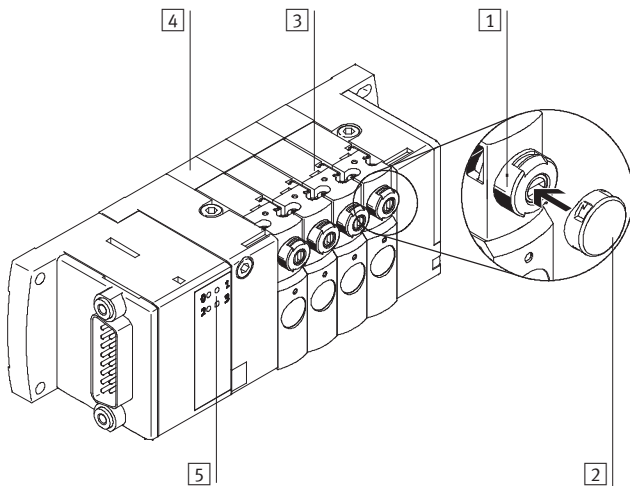
A cover can be fitted over the manual override to prevent it from being activated accidentally (code V).



Note

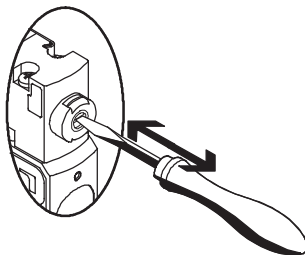
A manually activated valve (manual override) cannot be reset electrically. Conversely, an electrically activated valve cannot be reset using the manual override facility.

Manual override (MO)



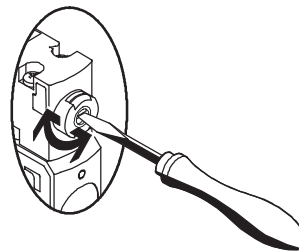
- 1 Manual override (non-detenting or detenting via turning using a screwdriver)
- 2 Cover for manual override (code V)
- 3 Location for valve position inscription label (type MH-BZ-80x)
- 4 Numbering of valve positions
- 5 LED signal status display per valve position

Manual override with automatic return (non-detenting)



Manual override is actuated by pushing it with a pointed object or screwdriver and reset by spring force.

Manual override set via turning (detenting)



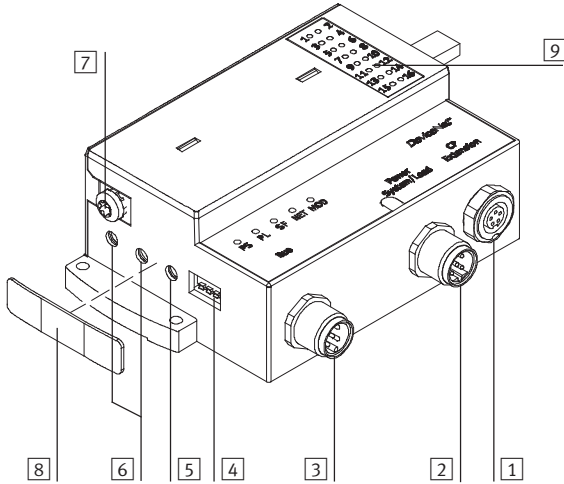
Manual override remains active until it is reset with a screwdriver.

Valve terminals CPV-SC, Smart Cubic

Key features – Display and operation

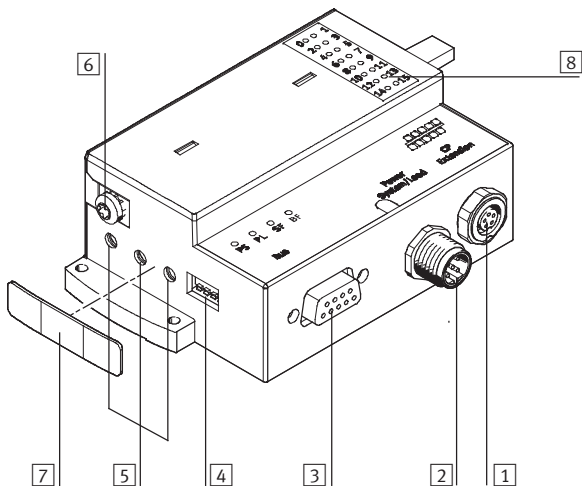
Display and operation

Fieldbus Direct – DeviceNet



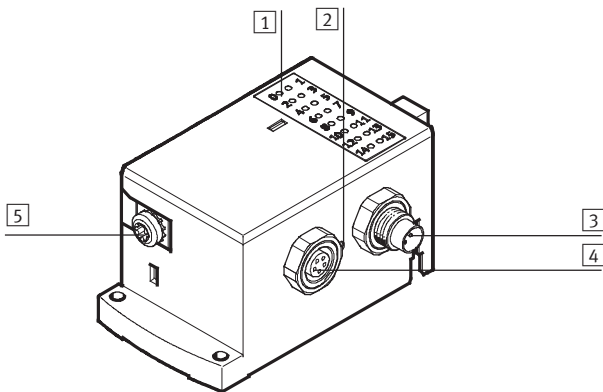
- 1 Connection for CP extension (with CP functionality)
- 2 Connection for power supply
- 3 Connection for fieldbus
- 4 DIL switch for CP extension
- 5 Rotary switch for baud rate
- 6 Rotary switch for station number
- 7 Earth terminal
- 8 Cover (for IP40 protection)
- 9 Switching status display per valve

Fieldbus Direct – PROFIBUS DP



- 1 Connection for CP extension (with CPI functionality)
- 2 Connection for power supply
- 3 Connection for fieldbus
- 4 DIL switch for CP extension
- 5 Rotary switch for station number
- 6 Earth terminal
- 7 Cover (for IP40 protection)
- 8 Switching status display per valve

CP interface

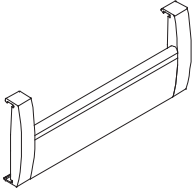


- 1 Status LEDs for valves
- 2 Status LED for CP communication
- 3 CP connection, incoming
- 4 CP connection, outgoing
- 5 Earth terminal

Valve terminals CPV-SC, Smart Cubic

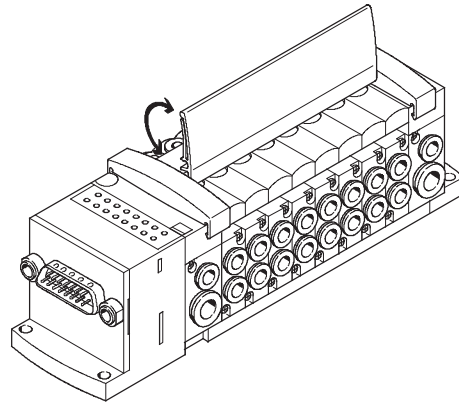
Key features – Display and operation

Inscription label holder



The transparent inscription label holder provides sufficient space for individually created labels on paper or foil.

Labelling templates are available on
→ www.festo.com



Valve terminals CPV-SC, Smart Cubic

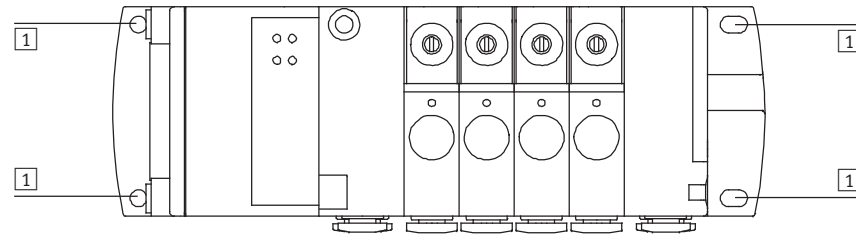
Key features – Mounting types

Mounting – Valve terminal

Sturdy terminal mounting thanks to:

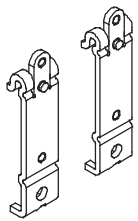
- Four through-holes for wall mounting
- H-rail mounting

Wall mounting

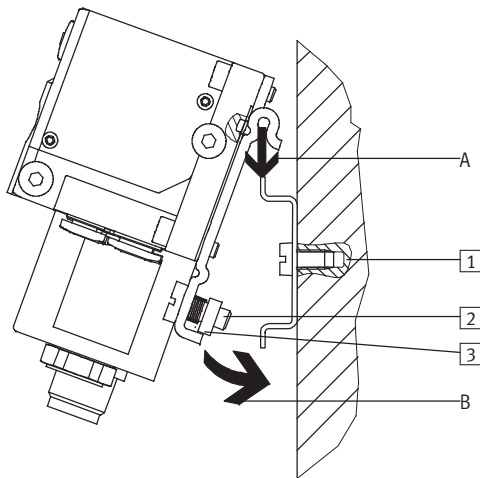


1 Mounting holes for screws M3

H-rail mounting



The mounting CPVSC1-HS35 facilitates mounting on a H-rail to EN 60715.






The CPV-SC valve terminal is attached to the H-rail (see arrow A). The valve terminal is then swivelled on the H-rail and secured in place with the clamping component (see arrow B).

- 1 Holes for wall mounting
- 2 Self-tapping M4x10 screw of the H-rail clamping unit
- 3 Clamping component of the H-rail clamping unit

Valve terminals CPV-SC, Smart Cubic

FESTO

Technical data

-  Flow rate
170 l/min
-  Valve width
10 mm
-  Voltage
5, 12, 24 V DC



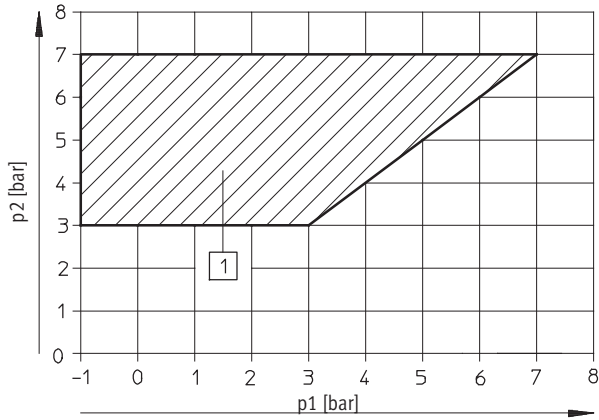
General technical data					
Valve	5/2-way valve		3/2-way valve		2/2-way valve
	Single solenoid	Double solenoid	Normally open	Normally closed	Normally closed
Valve function order code	M	J	N	K	D
Constructional design	Electromagnetically actuated piston spool valve				
Reset method	Pneumatic spring	-	Pneumatic spring	Pneumatic spring	Pneumatic spring
Valve size [mm]	10		10		10
Nominal diameter [mm]	2.5		2.5		2.5
Standard nominal flow rate [l/min]	170		170		150
Sealing principle	Soft				
Control type	Piloted				
Lubrication	Life-time lubrication				
Type of mounting	Wall mounting				
Mounting position	Any				
Manual override	Non-detenting/detenting/blocked				
Exhaust function	No flow control				
Direction of flow	Non-reversible				
Pneumatic connections					
Supply	1	M7, QS-6			
Exhaust port	3/5	M7, QS-6, round silencer or integrated flat plate silencer			
Working ports	2/4	Depending on the connection type selected <ul style="list-style-type: none"> • M5 • QS-3 • QS-4 			
Pilot air port	12/14	M5, QS-4			
Pilot exhaust air port	82/84	M5, QS-4, round silencer or integrated flat plate silencer			

Valve terminals CPV-SC, Smart Cubic

Technical data

FESTO

Pilot pressure p2 as a function of operating pressure p1



1 Operating range for valves with external pilot air

Valve response times [ms]

Valve function order code		M	J	N	K	D
Response times	on	10	–	10	10	10
	off	10	–	10	10	10
	changeover	–	8	–	–	–

Operating and environmental conditions

Operating medium	Compressed air in accordance with ISO 8573-1:2010 [7:4:4] → 28
Note on operating/pilot medium	Operation with lubricated medium possible (in which case lubricated operation will always be required)
Paint-wetting impairment substances criterion	Yes (free of paint-wetting impairment substances)
Certification	c UL us recognized (OL)
Operating pressure	bar] –9 ... +7
Operating pressure for valve terminal with internal pilot air supply	bar] 3 ... 7
Pilot pressure	bar] 3 ... 7
Ambient temperature	[°C] –5 ... +50
Temperature of medium	[°C] –5 ... +50
CE mark (see declaration of conformity)	To EU EMC Directive ¹⁾
Note on materials	RoHS-compliant

1) For information about the applicability of the component see the manufacturer's EC declaration of conformity at: www.festo.com → Support → User documentation.
If the component is subject to restrictions on usage in residential, office or commercial environments or small businesses, further measures to reduce the emitted interference may be necessary.

Valve terminals CPV-SC, Smart Cubic

Technical data

Electrical data			
Electrical connection		Individual connection	
		Multi-pin	
		CPI installation system	
		Fieldbus	
Electromagnetic compatibility of the CPV-SC valve terminal with Sub-D or flat cable connection		Interference emission tested to DIN EN 61000-6-4, industry	
		Interference immunity ¹⁾ tested to DIN EN 61000-6-2, industry	
Protection against electric shock (protection against direct and indirect contact to EN 60204-1/IEC 204)		By means of PELV power supply unit	
Nominal operating voltage of valve terminal	Multi-pin plug connection	[V DC]	24
	Individual sub-base	[V]	5, 12, 24
Permissible voltage fluctuations		[%]	±10
Coil characteristics	Nominal voltage	[V DC]	5, 12, 22, 24
	Electrical power consumption	[W]	1
Duty cycle		100% at 40°C ambient temperature	
Protection class to EN 60529		IP40 (in assembled state and with detenting plug)	
Relative air humidity		[%]	90 at 40 °C, non-condensing

1) The maximum signal line length is 10 m

Materials	
Electrical interface	Polymer
End plate, electrical sub-base	Polymer
Seals	NBR
Valve slice	Die-cast aluminium
Sub-base for working ports	PA

Product weight [g]	
5/2-way, 3/2-way valve	30.5
5/2-way double solenoid valve	56.5
Blanking plate	22.5
Right-hand end plate	42.5
Left-hand end plate	28
Actuator housing	43
Tie rod, 16-fold	29.6
Electrical manifold module, 16-fold	64
Control unit (fieldbus)	200
Electrical interface CPI	150

Valve terminals CPV-SC, Smart Cubic

FESTO

Technical data

Equipment

Operate your equipment with unlubricated compressed air if possible.

Festo valves and cylinders are designed so that, if used as designated, they will not require additional lubrication and will still achieve a long service life.

The quality of compressed air downstream from the compressor must correspond to that of unlubricated compressed air. If possible, do not operate all of your equipment with lubricated compressed air. The lubricators should, where possible, always be installed directly upstream of the cylinders used.

Incorrect additional oil and too high an oil content in the compressed air reduces the service life of a valve terminal.

Use Festo special oil OFSW-32 or the alternatives listed in the Festo catalogue (as specified in DIN 51524 HLP32; basic oil viscosity 32 CST at 40°C).

Bio-oils

When using bio-oils (oils which are based upon synthetic or native ester, e.g. rapeseed oil methyl ester), the maximum residual oil content of 0.1 mg/m³ must not be exceeded (see ISO 8573-1 Class 2).

Mineral oils

When using mineral oils (e.g. HLP oils to DIN 51524, Parts 1 to 3) or similar oils based on poly-alpha-olefins (PAO), the maximum residual oil content of 5 mg/m³ must not be exceeded (see ISO 8573-1 Class 4).

A higher residual oil content irrespective of the compressor oil cannot be permitted, as the basic lubricant would be flushed out over time.

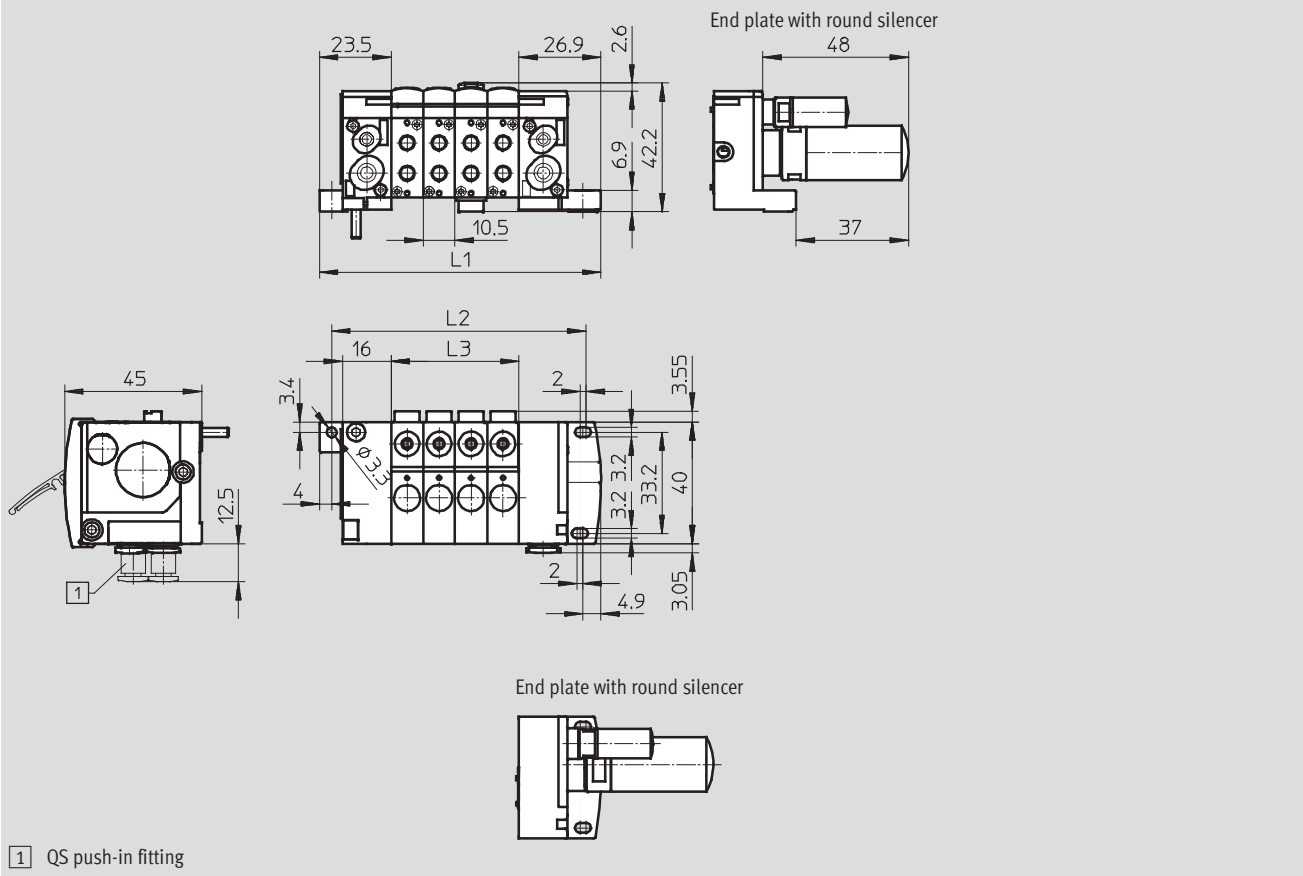
Valve terminals CPV-SC, Smart Cubic

Technical data

Dimensions

Download CAD data → www.festo.com

With individual connection



Valve positions n	L1	L2	L3
2	71.4	62.5	21
3	81.9	73	31.5
4	92.4	83.5	42
5	102.9	94	52.5
6	113.4	104.5	63
7	123.9	115	73.5
8	134	125.1	84
9	144.9	136	94.5
10	155.4	146.5	105
11	165.9	157	115.5
12	176.4	167.5	126
13	186.9	178	136.5
14	197.4	188.5	147
15	207.9	199	157.5
16	218.4	209.5	168

Valve terminals CPV-SC, Smart Cubic

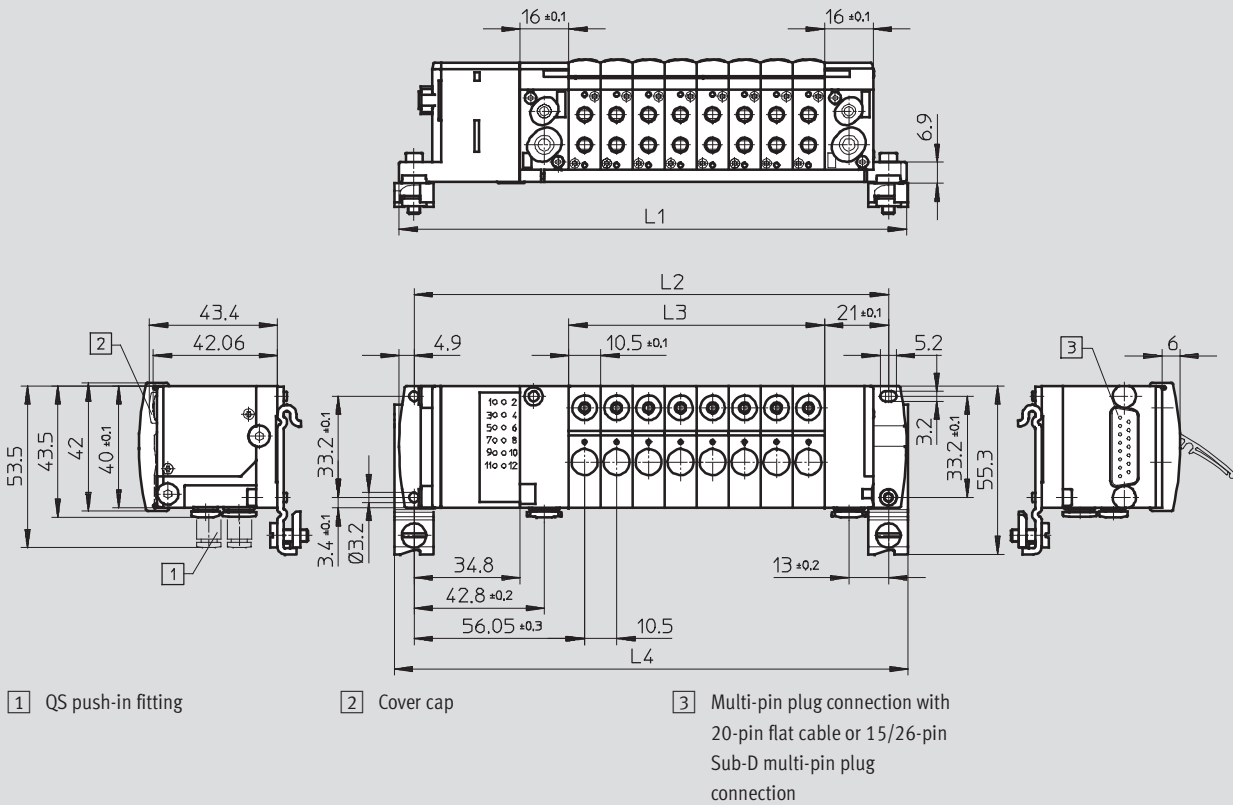
Technical data



Dimensions

Download CAD data → www.festo.com

With multi-pin plug connection



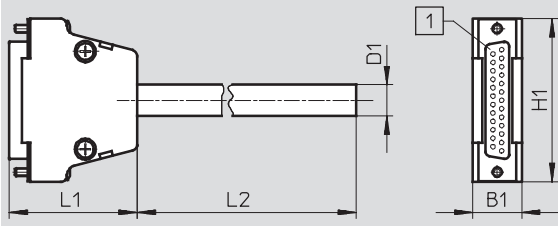
Valve positions n	L1	L2	L3
4	125	114	42
5	135.5	124.5	52.5
6	146	135	63
7	146.5	145.5	73.5
8	167	156	84
9	177.5	166.5	94.5
10	188	177	105
11	198.5	187.5	115.5
12	209	198	126
13	219.5	208.5	136.5
14	230	219	147
15	240.5	229.5	157.5
16	251	240	168

Valve terminals CPV-SC, Smart Cubic

Technical data

Dimensions – Sub-D plug with cable

Download CAD data → www.festo.com



1 15-/26-pin plug

Type	B1	D1	H1	L1	L2			Number of pins
KMP6-15P-12-...	16	8.5	40	34.5	2,500	5,000	10,000	15
KMP6-26P-16-...	16	8.6	40	34.5	2,500	5,000	10,000	26

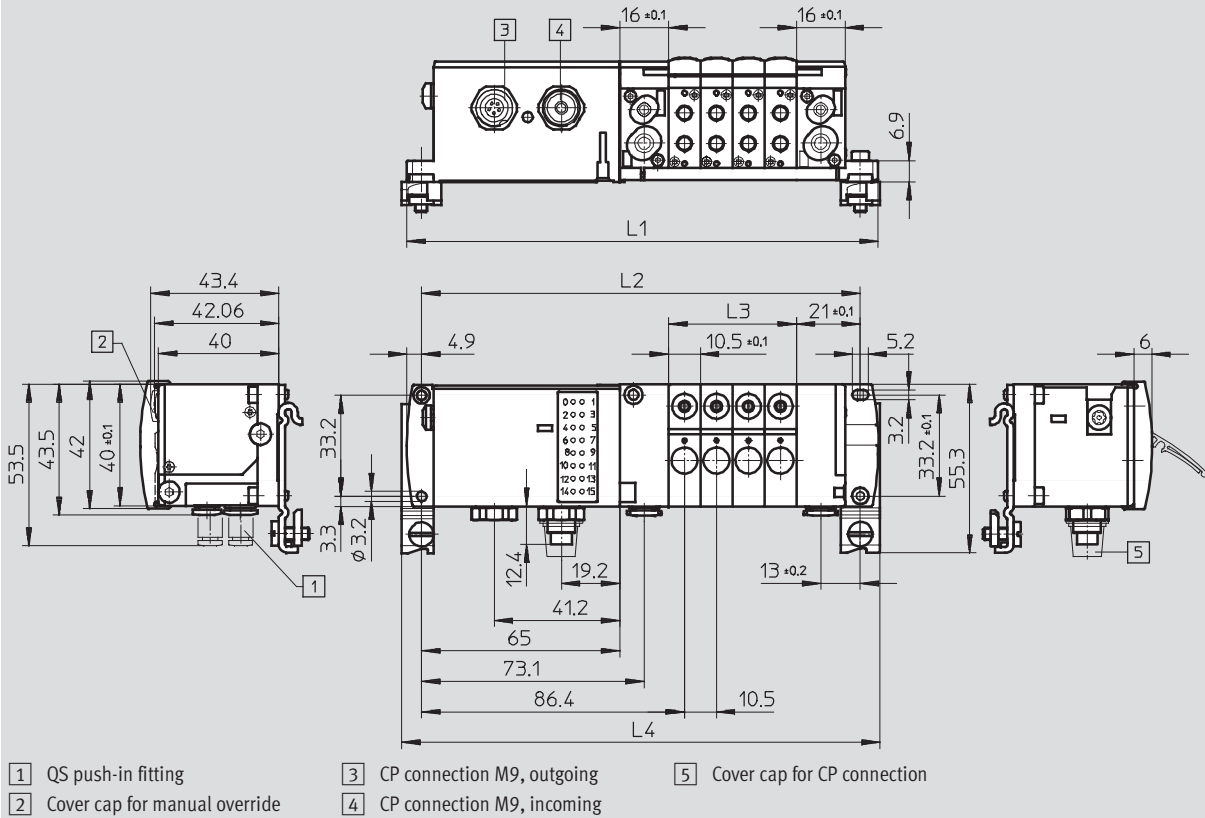
Valve terminals CPV-SC, Smart Cubic

Technical data

Dimensions – Valve terminal

Download CAD data → www.festo.com

With CPI interface

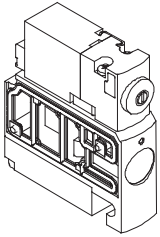
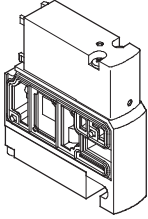
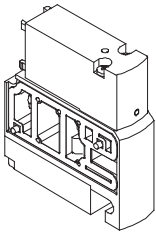




Valve positions n	L1	L2	L3	L4
4	154.9	144.1	42	156.7
5	165.4	154.6	52,5	167.2
6	175.9	165.1	63	177.7
7	186.4	175.6	73,5	188.2
8	196.9	186.1	84	198.7
9	207.4	196.6	94,5	209.2
10	217.9	207.1	105	219.7
11	228.4	217.6	115,5	230.2
12	238.9	228.1	126	240.7
13	249.4	238.6	136,5	251.2
14	259.9	249.1	147	261.7
15	270.4	259.6	157,5	272.2
16	280.9	270.1	168	282.7

Valve terminals CPV-SC, Smart Cubic

FESTO

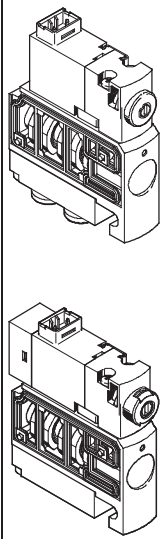
Accessories

Ordering data – Valves with electrical plug-in connection			
Designation	Part No.	Type	
	Solenoid valve with M5 connections		
	5/2-way single solenoid valve	527550	CPVSC1-M1H-M-P-M5
	5/2-way double solenoid valve	527553	CPVSC1-M1H-J-P-M5
	3/2-way valve, normally open	527551	CPVSC1-M1H-N-P-M50
	3/2-way valve, normally closed	527552	CPVSC1-M1H-K-P-M5C
	2/2-way valve, normally closed	527554	CPVSC1-M1H-D-P-M5C
	Solenoid valve with QS-3 push-in connectors		
	5/2-way single solenoid valve	527555	CPVSC1-M1H-M-P-Q3
	5/2-way double solenoid valve	527558	CPVSC1-M1H-J-P-Q3
	3/2-way valve, normally open	527556	CPVSC1-M1H-N-P-Q30
	3/2-way valve, normally closed	527557	CPVSC1-M1H-K-P-Q3C
	2/2-way valve, normally closed	527559	CPVSC1-M1H-D-P-Q3C
	Solenoid valve with QS-4 push-in connectors		
	5/2-way single solenoid valve	527560	CPVSC1-M1H-M-P-Q4
	5/2-way double solenoid valve	527563	CPVSC1-M1H-J-P-Q4
3/2-way valve, normally open	527561	CPVSC1-M1H-N-P-Q40	
3/2-way valve, normally closed	527562	CPVSC1-M1H-K-P-Q4C	
2/2-way valve, normally closed	527564	CPVSC1-M1H-D-P-Q4C	
	Blanking plates with integrated connections		
	Vacant position, with blanking plate	527527	CPVSC1-RP-B
	Supply plate M5		
	Duct 1 separated	527528	CPVSC1-SP-P-M5
	Duct 1/3/5 separated	527530	CPVSC1-SP-PRS-M5
	Without duct separation	527532	CPVSC1-SP-M5
	Supply plate, QS-4 push-in connector		
	Duct 1 separated	527529	CPVSC1-SP-P-Q4
	Duct 1/3/5 separated	527531	CPVSC1-SP-PRS-Q4
	Without duct separation	527533	CPVSC1-SP-Q4
		Cover for manual override	
Non-detenting, 10 pieces		540897	VMPA-HBT-B
	Covered, 10 pieces	540898	VMPA-HBV-B

Valve terminals CPV-SC, Smart Cubic

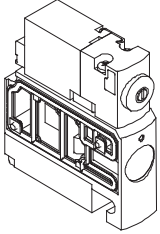
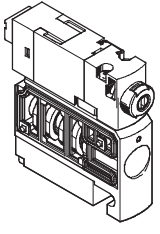
Accessories

FESTO

Ordering data – Valves with individual electrical connection, detenting manual override, vertical plug, 24 V DC		
Designation	Part No.	Type
	Solenoid valve with M5 connections	
	5/2-way single solenoid valve	547276 CPVSC1-M1H-M-T-M5
	5/2-way double solenoid valve	547277 CPVSC1-M1H-J-T-M5
	3/2-way valve, normally open	547275 CPVSC1-M1H-N-T-M5O
	3/2-way valve, normally closed	547274 CPVSC1-M1H-K-T-M5C
	2/2-way valve, normally closed	547273 CPVSC1-M1H-D-T-M5C
	Solenoid valve with M5 connections and LED	
	5/2-way single solenoid valve	547306 CPVSC1-M1LH-M-T-M5
	5/2-way double solenoid valve	547307 CPVSC1-M1LH-J-T-M5
	3/2-way valve, normally open	547305 CPVSC1-M1LH-N-T-M5O
	3/2-way valve, normally closed	547304 CPVSC1-M1LH-K-T-M5C
	2/2-way valve, normally closed	547303 CPVSC1-M1LH-D-T-M5C
	Solenoid valve with QS-3 push-in connectors	
	5/2-way single solenoid valve	547281 CPVSC1-M1H-M-T-Q3
	5/2-way double solenoid valve	547282 CPVSC1-M1H-J-T-Q3
	3/2-way valve, normally open	547280 CPVSC1-M1H-N-T-Q3O
	3/2-way valve, normally closed	547279 CPVSC1-M1H-K-T-Q3C
	2/2-way valve, normally closed	547278 CPVSC1-M1H-D-T-Q3C
	Solenoid valve with QS-3 push-in connectors and LED	
	5/2-way single solenoid valve	547311 CPVSC1-M1LH-M-T-Q3
	5/2-way double solenoid valve	547312 CPVSC1-M1LH-J-T-Q3
	3/2-way valve, normally open	547310 CPVSC1-M1LH-N-T-Q3O
	3/2-way valve, normally closed	547309 CPVSC1-M1LH-K-T-Q3C
	2/2-way valve, normally closed	547308 CPVSC1-M1LH-D-T-Q3C
Solenoid valve with QS-4 push-in connectors		
5/2-way single solenoid valve	547286 CPVSC1-M1H-M-T-Q4	
5/2-way double solenoid valve	547287 CPVSC1-M1H-J-T-Q4	
3/2-way valve, normally open	547285 CPVSC1-M1H-N-T-Q4O	
3/2-way valve, normally closed	547284 CPVSC1-M1H-K-T-Q4C	
2/2-way valve, normally closed	547283 CPVSC1-M1H-D-T-Q4C	
Solenoid valve with QS-4 push-in connectors and LED		
5/2-way single solenoid valve	547316 CPVSC1-M1LH-M-T-Q4	
5/2-way double solenoid valve	547317 CPVSC1-M1LH-J-T-Q4	
3/2-way valve, normally open	547315 CPVSC1-M1LH-N-T-Q4O	
3/2-way valve, normally closed	547314 CPVSC1-M1LH-K-T-Q4C	
2/2-way valve, normally closed	547313 CPVSC1-M1LH-D-T-Q4C	

Valve terminals CPV-SC, Smart Cubic

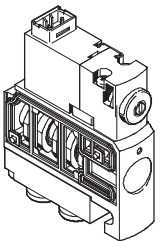
Accessories

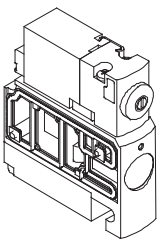
Ordering data – Valves with individual electrical connection, detenting manual override, horizontal plug, 24 V DC				
Designation	Part No.	Type		
	Solenoid valve with M5 connections			
	5/2-way single solenoid valve	547291	CPVSC1-M1H-M-H-M5	
	5/2-way double solenoid valve	547292	CPVSC1-M1H-J-H-M5	
	3/2-way valve, normally open	547290	CPVSC1-M1H-N-H-M50	
	3/2-way valve, normally closed	547289	CPVSC1-M1H-K-H-M5C	
	2/2-way valve, normally closed	547288	CPVSC1-M1H-D-H-M5C	
	Solenoid valve with M5 connections and LED			
	5/2-way single solenoid valve	547322	CPVSC1-M1LH-M-H-M5	
	5/2-way double solenoid valve	547323	CPVSC1-M1LH-J-H-M5	
	3/2-way valve, normally open	547321	CPVSC1-M1LH-N-H-M50	
	3/2-way valve, normally closed	547320	CPVSC1-M1LH-K-H-M5C	
	2/2-way valve, normally closed	547318	CPVSC1-M1LH-D-H-M5C	
		Solenoid valve with QS-3 push-in connectors		
		5/2-way single solenoid valve	547296	CPVSC1-M1H-M-H-Q3
		5/2-way double solenoid valve	547297	CPVSC1-M1H-J-H-Q3
		3/2-way valve, normally open	547295	CPVSC1-M1H-N-H-Q30
		3/2-way valve, normally closed	547294	CPVSC1-M1H-K-H-Q3C
		2/2-way valve, normally closed	547293	CPVSC1-M1H-D-H-Q3C
Solenoid valve with QS-3 push-in connectors and LED				
5/2-way single solenoid valve		547327	CPVSC1-M1LH-M-H-Q3	
5/2-way double solenoid valve		547328	CPVSC1-M1LH-J-H-Q3	
3/2-way valve, normally open		547326	CPVSC1-M1LH-N-H-Q30	
3/2-way valve, normally closed		547325	CPVSC1-M1LH-K-H-Q3C	
2/2-way valve, normally closed		547324	CPVSC1-M1LH-D-H-Q3C	
		Solenoid valve with QS-4 push-in connectors		
		5/2-way single solenoid valve	547301	CPVSC1-M1H-M-H-Q4
		5/2-way double solenoid valve	547302	CPVSC1-M1H-J-H-Q4
		3/2-way valve, normally open	547300	CPVSC1-M1H-N-H-Q40
		3/2-way valve, normally closed	547299	CPVSC1-M1H-K-H-Q4C
		2/2-way valve, normally closed	547298	CPVSC1-M1H-D-H-Q4C
	Solenoid valve with QS-4 push-in connectors and LED			
	5/2-way single solenoid valve	547332	CPVSC1-M1LH-M-H-Q4	
	5/2-way double solenoid valve	547333	CPVSC1-M1LH-J-H-Q4	
	3/2-way valve, normally open	547331	CPVSC1-M1LH-N-H-Q40	
	3/2-way valve, normally closed	547330	CPVSC1-M1LH-K-H-Q4C	
	2/2-way valve, normally closed	547329	CPVSC1-M1LH-D-H-Q4C	

Valve terminals CPV-SC, Smart Cubic

Accessories

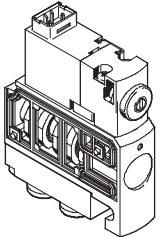
FESTO

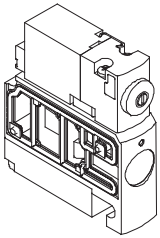
Ordering data – Valves with individual electrical connection, pushing manual override, vertical plug, 24 V DC		
Designation	Part No.	Type
	Solenoid valve with M5 connections	
	5/2-way single solenoid valve	548037 CPVSC1-M1HT-M-T-M5
	5/2-way double solenoid valve	548038 CPVSC1-M1HT-J-T-M5
	3/2-way valve, normally open	548036 CPVSC1-M1HT-N-T-M50
	3/2-way valve, normally closed	548035 CPVSC1-M1HT-K-T-M5C
	2/2-way valve, normally closed	548034 CPVSC1-M1HT-D-T-M5C
	Solenoid valve with QS-3 push-in connectors	
	5/2-way single solenoid valve	548043 CPVSC1-M1HT-M-T-Q3
	5/2-way double solenoid valve	548044 CPVSC1-M1HT-J-T-Q3
	3/2-way valve, normally open	548042 CPVSC1-M1HT-N-T-Q30
	3/2-way valve, normally closed	548041 CPVSC1-M1HT-K-T-Q3C
	2/2-way valve, normally closed	548040 CPVSC1-M1HT-D-T-Q3C
	Solenoid valve with QS-4 push-in connectors	
	5/2-way single solenoid valve	548048 CPVSC1-M1HT-M-T-Q4
	5/2-way double solenoid valve	548049 CPVSC1-M1HT-J-T-Q4
3/2-way valve, normally open	548047 CPVSC1-M1HT-N-T-Q40	
3/2-way valve, normally closed	548046 CPVSC1-M1HT-K-T-Q4C	
2/2-way valve, normally closed	548045 CPVSC1-M1HT-D-T-Q4C	

Ordering data – Valves with individual electrical connection, pushing manual override, horizontal plug, 24 V DC		
Designation	Part No.	Type
	Solenoid valve with M5 connections	
	5/2-way single solenoid valve	548053 CPVSC1-M1HT-M-H-M5
	5/2-way double solenoid valve	548054 CPVSC1-M1HT-J-H-M5
	3/2-way valve, normally open	548052 CPVSC1-M1HT-N-H-M50
	3/2-way valve, normally closed	548051 CPVSC1-M1HT-K-H-M5C
	2/2-way valve, normally closed	548050 CPVSC1-M1HT-D-H-M5C
	Solenoid valve with QS-3 push-in connectors	
	5/2-way single solenoid valve	548058 CPVSC1-M1HT-M-H-Q3
	5/2-way double solenoid valve	548059 CPVSC1-M1HT-J-H-Q3
	3/2-way valve, normally open	548057 CPVSC1-M1HT-N-H-Q30
	3/2-way valve, normally closed	548056 CPVSC1-M1HT-K-H-Q3C
	2/2-way valve, normally closed	548055 CPVSC1-M1HT-D-H-Q3C
	Solenoid valve with QS-4 push-in connectors	
	5/2-way single solenoid valve	548063 CPVSC1-M1HT-M-H-Q4
	5/2-way double solenoid valve	548064 CPVSC1-M1HT-J-H-Q4
3/2-way valve, normally open	548062 CPVSC1-M1HT-N-H-Q40	
3/2-way valve, normally closed	548061 CPVSC1-M1HT-K-H-Q4C	
2/2-way valve, normally closed	548060 CPVSC1-M1HT-D-H-Q4C	

Valve terminals CPV-SC, Smart Cubic

Accessories

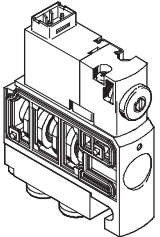
Ordering data – Valves with individual electrical connection, detenting manual override, vertical plug, 12 V DC			
Designation	Part No.	Type	
	Solenoid valve with M5 connections		
	5/2-way single solenoid valve	547367	CPVSC1-M5H-M-T-M5
	5/2-way double solenoid valve	547368	CPVSC1-M5H-J-T-M5
	3/2-way valve, normally open	547366	CPVSC1-M5H-N-T-M50
	3/2-way valve, normally closed	547365	CPVSC1-M5H-K-T-M5C
	2/2-way valve, normally closed	547364	CPVSC1-M5H-D-T-M5C
	Solenoid valve with QS-3 push-in connectors		
	5/2-way single solenoid valve	547372	CPVSC1-M5H-M-T-Q3
	5/2-way double solenoid valve	547373	CPVSC1-M5H-J-T-Q3
	3/2-way valve, normally open	547371	CPVSC1-M5H-N-T-Q30
	3/2-way valve, normally closed	547370	CPVSC1-M5H-K-T-Q3C
	2/2-way valve, normally closed	547369	CPVSC1-M5H-D-T-Q3C
	Solenoid valve with QS-4 push-in connectors		
	5/2-way single solenoid valve	547377	CPVSC1-M5H-M-T-Q4
	5/2-way double solenoid valve	547378	CPVSC1-M5H-J-T-Q4
	3/2-way valve, normally open	547376	CPVSC1-M5H-N-T-Q40
	3/2-way valve, normally closed	547375	CPVSC1-M5H-K-T-Q4C
	2/2-way valve, normally closed	547374	CPVSC1-M5H-D-T-Q4C

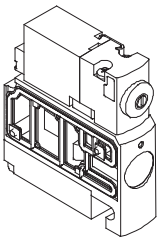
Ordering data – Valves with individual electrical connection, pushing manual override, horizontal plug, 12 V DC			
Designation	Part No.	Type	
	Solenoid valve with M5 connections		
	5/2-way single solenoid valve	547382	CPVSC1-M5H-M-H-M5
	5/2-way double solenoid valve	547383	CPVSC1-M5H-J-H-M5
	3/2-way valve, normally open	547381	CPVSC1-M5H-N-H-M50
	3/2-way valve, normally closed	547380	CPVSC1-M5H-K-H-M5C
	2/2-way valve, normally closed	547379	CPVSC1-M5H-D-H-M5C
	Solenoid valve with QS-3 push-in connectors		
	5/2-way single solenoid valve	547387	CPVSC1-M5H-M-H-Q3
	5/2-way double solenoid valve	547388	CPVSC1-M5H-J-H-Q3
	3/2-way valve, normally open	547386	CPVSC1-M5H-N-H-Q30
	3/2-way valve, normally closed	547385	CPVSC1-M5H-K-H-Q3C
	2/2-way valve, normally closed	547384	CPVSC1-M5H-D-H-Q3C
	Solenoid valve with QS-4 push-in connectors		
	5/2-way single solenoid valve	547392	CPVSC1-M5H-M-H-Q4
	5/2-way double solenoid valve	547393	CPVSC1-M5H-J-H-Q4
	3/2-way valve, normally open	547391	CPVSC1-M5H-N-H-Q40
	3/2-way valve, normally closed	547390	CPVSC1-M5H-K-H-Q4C
	2/2-way valve, normally closed	547389	CPVSC1-M5H-D-H-Q4C

Valve terminals CPV-SC, Smart Cubic

Accessories

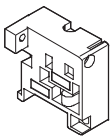
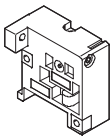
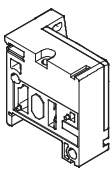
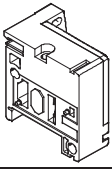
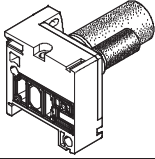
FESTO

Ordering data – Valves with individual electrical connection, detenting manual override, vertical plug, 5 V DC		
Designation	Part No.	Type
	Solenoid valve with M5 connections	
	5/2-way single solenoid valve	547337 CPVSC1-M4H-M-T-M5
	5/2-way double solenoid valve	547338 CPVSC1-M4H-J-T-M5
	3/2-way valve, normally open	547336 CPVSC1-M4H-N-T-M50
	3/2-way valve, normally closed	547335 CPVSC1-M4H-K-T-M5C
	2/2-way valve, normally closed	547334 CPVSC1-M4H-D-T-M5C
	Solenoid valve with QS-3 push-in connectors	
	5/2-way single solenoid valve	547342 CPVSC1-M4H-M-T-Q3
	5/2-way double solenoid valve	547343 CPVSC1-M4H-J-T-Q3
	3/2-way valve, normally open	547341 CPVSC1-M4H-N-T-Q30
	3/2-way valve, normally closed	547340 CPVSC1-M4H-K-T-Q3C
	2/2-way valve, normally closed	547339 CPVSC1-M4H-D-T-Q3C
	Solenoid valve with QS-4 push-in connectors	
	5/2-way single solenoid valve	547347 CPVSC1-M4H-M-T-Q4
	5/2-way double solenoid valve	547348 CPVSC1-M4H-J-T-Q4
	3/2-way valve, normally open	547346 CPVSC1-M4H-N-T-Q40
	3/2-way valve, normally closed	547345 CPVSC1-M4H-K-T-Q4C
	2/2-way valve, normally closed	547344 CPVSC1-M4H-D-T-Q4C

Ordering data – Valves with individual electrical connection, pushing manual override, horizontal plug, 5 V DC		
Designation	Part No.	Type
	Solenoid valve with M5 connections	
	5/2-way single solenoid valve	547352 CPVSC1-M4H-M-H-M5
	5/2-way double solenoid valve	547353 CPVSC1-M4H-J-H-M5
	3/2-way valve, normally open	547351 CPVSC1-M4H-N-H-M50
	3/2-way valve, normally closed	547350 CPVSC1-M4H-K-H-M5C
	2/2-way valve, normally closed	547349 CPVSC1-M4H-D-H-M5C
	Solenoid valve with QS-3 push-in connectors	
	5/2-way single solenoid valve	547357 CPVSC1-M4H-M-H-Q3
	5/2-way double solenoid valve	547358 CPVSC1-M4H-J-H-Q3
	3/2-way valve, normally open	547356 CPVSC1-M4H-N-H-Q30
	3/2-way valve, normally closed	547355 CPVSC1-M4H-K-H-Q3C
	2/2-way valve, normally closed	547354 CPVSC1-M4H-D-H-Q3C
	Solenoid valve with QS-4 push-in connectors	
	5/2-way single solenoid valve	547362 CPVSC1-M4H-M-H-Q4
	5/2-way double solenoid valve	547363 CPVSC1-M4H-J-H-Q4
	3/2-way valve, normally open	547361 CPVSC1-M4H-N-H-Q40
	3/2-way valve, normally closed	547360 CPVSC1-M4H-K-H-Q4C
	2/2-way valve, normally closed	547359 CPVSC1-M4H-D-H-Q4C

Valve terminals CPV-SC, Smart Cubic

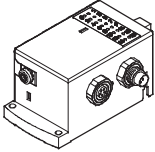
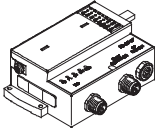
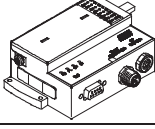
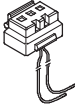
Accessories

Ordering data – End plates			
Designation		Part No.	Type
Left-hand end plates			
	With external pilot air supply	527585	CPVSC1-EPL-E
	With internal pilot air supply	527583	CPVSC1-EPL-I
Right-hand end plates			
	With ducted exhaust air	527587	CPVSC1-EPR-G
	With unducted exhaust air and flat plate silencer	527589	CPVSC1-EPR-U
	With unducted exhaust air and round silencer	536060	CPVSC1-EPR-UC

Valve terminals CPV-SC, Smart Cubic

Accessories

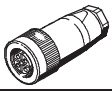
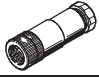
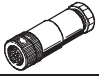

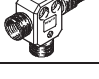
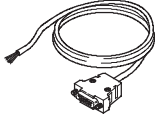


FESTO

Ordering data – Accessories			
Designation		Part No.	Type
CPI interface			
	Electrical connection	541975	CPVSC1-AE16-CPI
Control unit			
	Fieldbus Direct – DeviceNet	538654	CPVSC1-AE16-DN
	Fieldbus Direct – PROFIBUS DP	541919	CPVSC1-AE16-DP
Individual electrical connection			
	Plug socket with cable, IP40	0.5 m	197263 KMH-0,5
		1 m	197264 KMH-1
		2.5 m	527400 KMH-2,5
		5 m	527401 KMH-5

Valve terminals CPV-SC, Smart Cubic

FESTO

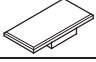
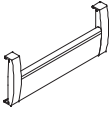


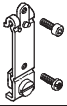
Accessories

Ordering data – Accessories				
Designation			Part No.	Type
Power supply				
	Micro Style M12, 5-pin socket (B-coded) for DeviceNet	for 0.75 mm ²	538999	NTSD-GD-9-M12-5POL-RK
	M12, 5-pin socket (A-coded) for PROFIBUS DP	for 0.75 mm ²	18324	FBSD-GD-9-5POL
Fieldbus connection				
	Fieldbus socket for Micro Style connection, M12, 5-pin socket (A-coded)		18324	FBSD-GD-9-5POL
	Straight plug, 5-pin, screw terminal		175380	FBS-M12-5GS-PG9
	T-adaptor, 5-pin, for DH-485/DeviceNet		171175	FB-TA-M12-5POL
Connecting cable, IP40, for multi-pin plug connection				
	Sub-D, 15-pin, up to 12 valve positions for code MS Material: PVC	2.5 m	527543	KMP6-15P-12-2,5
		5 m	527544	KMP6-15P-12-5
		10 m	527545	KMP6-15P-12-10
	Sub-D, 26-pin, up to 16 valve positions for code MH Material: PVC	2.5 m	527546	KMP6-26P-16-2,5
		5 m	527547	KMP6-26P-16-5
		10 m	527548	KMP6-26P-16-10
Valve terminal connection				
	Angled plug-angled socket	0.25 m	540327	KVI-CP-3-WS-WD-0,25
	Angled plug-angled socket	0.5 m	540328	KVI-CP-3-WS-WD-0,5
	Angled plug-angled socket	2 m	540329	KVI-CP-3-WS-WD-2
	Angled plug-angled socket	5 m	540330	KVI-CP-3-WS-WD-5
	Angled plug-angled socket	8 m	540331	KVI-CP-3-WS-WD-8
	GS-GD, straight plug-straight socket	2 m	540332	KVI-CP-3-GS-GD-2
	Straight plug-straight socket	5 m	540333	KVI-CP-3-GS-GD-5
	Straight plug-straight socket	8 m	540334	KVI-CP-3-GS-GD-8

Valve terminals CPV-SC, Smart Cubic



Accessories

FESTO

Ordering data – Accessories			
Designation		Part No.	Type
Inscription labels for valve identification			
	80 pieces, 9x4.5 mm	197259	MH-BZ-80x
Inscription label holder			
	1 piece	for 2 valve positions	547395 CPVSC1-ST-2
		for 3 valve positions	547396 CPVSC1-ST-3
		for 4 valve positions	527631 CPVSC1-ST-4
		for 5 valve positions	547397 CPVSC1-ST-5
		for 6 valve positions	547398 CPVSC1-ST-6
		for 7 valve positions	547399 CPVSC1-ST-7
		for 8 valve positions	527633 CPVSC1-ST-8
		for 9 valve positions	547400 CPVSC1-ST-9
		for 10 valve positions	547401 CPVSC1-ST-10
		for 11 valve positions	547402 CPVSC1-ST-11
		for 12 valve positions	527635 CPVSC1-ST-12
		for 13 valve positions	547403 CPVSC1-ST-13
		for 14 valve positions	547404 CPVSC1-ST-14
		for 15 valve positions	547405 CPVSC1-ST-15
		for 16 valve positions	527637 CPVSC1-ST-16
		Tie rod	
	1 piece	for 2 valve positions	547416 CPVSC1-ZA-2
		for 3 valve positions	547417 CPVSC1-ZA-3
		for 4 valve positions	532807 CPVSC1-ZA-4
		for 5 valve positions	547418 CPVSC1-ZA-5
		for 6 valve positions	547419 CPVSC1-ZA-6
		for 7 valve positions	547420 CPVSC1-ZA-7
		for 8 valve positions	532808 CPVSC1-ZA-8
		for 9 valve positions	547421 CPVSC1-ZA-9
		for 10 valve positions	547422 CPVSC1-ZA-10
		for 11 valve positions	547423 CPVSC1-ZA-11
		for 12 valve positions	532809 CPVSC1-ZA-12
		for 13 valve positions	547424 CPVSC1-ZA-13
		for 14 valve positions	547425 CPVSC1-ZA-14
		for 15 valve positions	547426 CPVSC1-ZA-15
		for 16 valve positions	532810 CPVSC1-ZA-16
		Mounting	
	Screw for additional terminal mounting	527643	M3x45
	Mounting	527639	CPVSC-HS35

Valve terminals CPV-SC, Smart Cubic

Accessories

Ordering data – Accessories				
Designation			Part No.	Type
User documentation				
	User documentation – Pneumatics, valve terminal CPV-SC	German	530925	P.BE-CPVSC-DE
		English	530926	P.BE-CPVSC-EN
		French	530927	P.BE-CPVSC-FR
		Spanish	530928	P.BE-CPVSC-ES
		Italian	530929	P.BE-CPVSC-IT
		Swedish	530930	P.BE-CPVSC-SV
	User documentation – DeviceNet fieldbus	German	539008	P.BE-CPASC-CPVSC-DN-DE
		English	539009	P.BE-CPASC-CPVSC-DN-EN
		French	539010	P.BE-CPASC-CPVSC-DN-FR
		Spanish	539011	P.BE-CPASC-CPVSC-DN-ES
		Italian	539012	P.BE-CPASC-CPVSC-DN-IT
		Swedish	539013	P.BE-CPASC-CPVSC-DN-SV
	User documentation – PROFIBUS DP fieldbus	German	548725	P.BE-CPASC-CPVSC-DP-DE
		English	548726	P.BE-CPASC-CPVSC-DP-EN
		French	548728	P.BE-CPASC-CPVSC-DP-FR
		Spanish	548727	P.BE-CPASC-CPVSC-DP-ES
		Italian	548729	P.BE-CPASC-CPVSC-DP-IT
		Swedish	548730	P.BE-CPASC-CPVSC-DP-SV