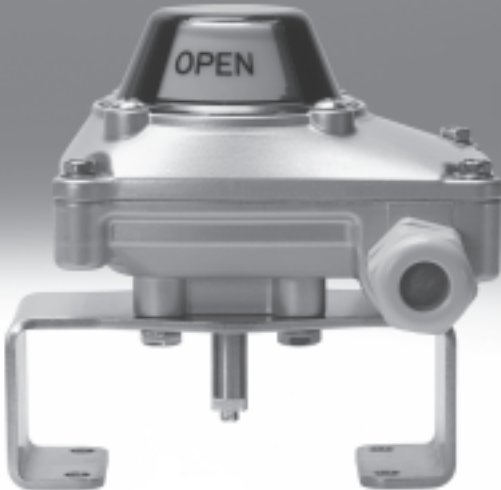


Limit switch attachments



Limit switch attachments SRBF

Type codes

		SRBF	CA3	YR90	MW	22A	C2M20
Type							
SRBF	Limit switch attachment						
Design							
C	Sensor box						
Mechanical interface							
	None						
A3	Mounting adapter, hole pattern 30x80 mm, for drives with shaft height 20 mm						
A4	Mounting adapter, hole pattern 30x80 mm, for drives with shaft height 30 mm						
A5	Mounting adapter, hole pattern 30x130 mm, for drives with shaft height 30 mm						
A6	Mounting adapter, hole pattern 30x130 mm, for drives with shaft height 50 mm						
Display type							
YR	Yellow/red position indicator						
Measuring range							
90	0 ... 90°						
Sensor principle							
MW	Floating contact, changeover switch						
Nominal operating voltage							
22A	250 V AC						
Electrical connection							
C2	Screw terminal						
Cable connector							
M20	M20x1.5, metal						

Mounting kits DARQ

Type codes

		DARQ	-	K	-	A1	-	F05	-	20	-	R1
Type												
DARQ												
Function												
K	Mounting kit											
Drive outlet												
A1	Hole pattern 30x80 mm											
A2	Hole pattern 30x130 mm											
Adapter or reducing outlet												
F05	Hole pattern F05											
Length												
20	20 mm											
30	30 mm											
50	50 mm											
Corrosion protection												
R1	Stainless steel											

Limit switch attachments SRBF

Technical data

- Limit switch attachment with two mechanical switches in painted aluminium housing
- With 8-pin terminal block and yellow/red visual indicator



General technical data			
Setting range for angle acquisition	[°]		0 ... 90
Based on standard			ISO 5211, EN 60947-5-1
Type of mounting			Via accessories On flange to ISO 5211
Design			Square
Mounting position			Any
Measuring principle			For mechanical, electrical proximity sensors
Switching element function			Changeover switch
Operating voltage range	Direct voltage DC	[V]	0 ... 24
	Alternating voltage AC	[V]	0 ... 250
Max. switching capacity	Direct voltage DC	[W]	36
	Alternating voltage AC	[VA]	1,770
Insulation voltage		[V]	250
Surge capacity		[kV]	4
Connectable nominal conductor cross section		[mm ²]	0.5 ... 1.5
CE mark			To EU Low-Voltage Directive
Paint-wetting impairment substances criterion			Contains paint-wetting impairment substances to FN 942010
Protection class			IP67
Ambient temperature		[°C]	-25 ... +80
Degree of contamination			3

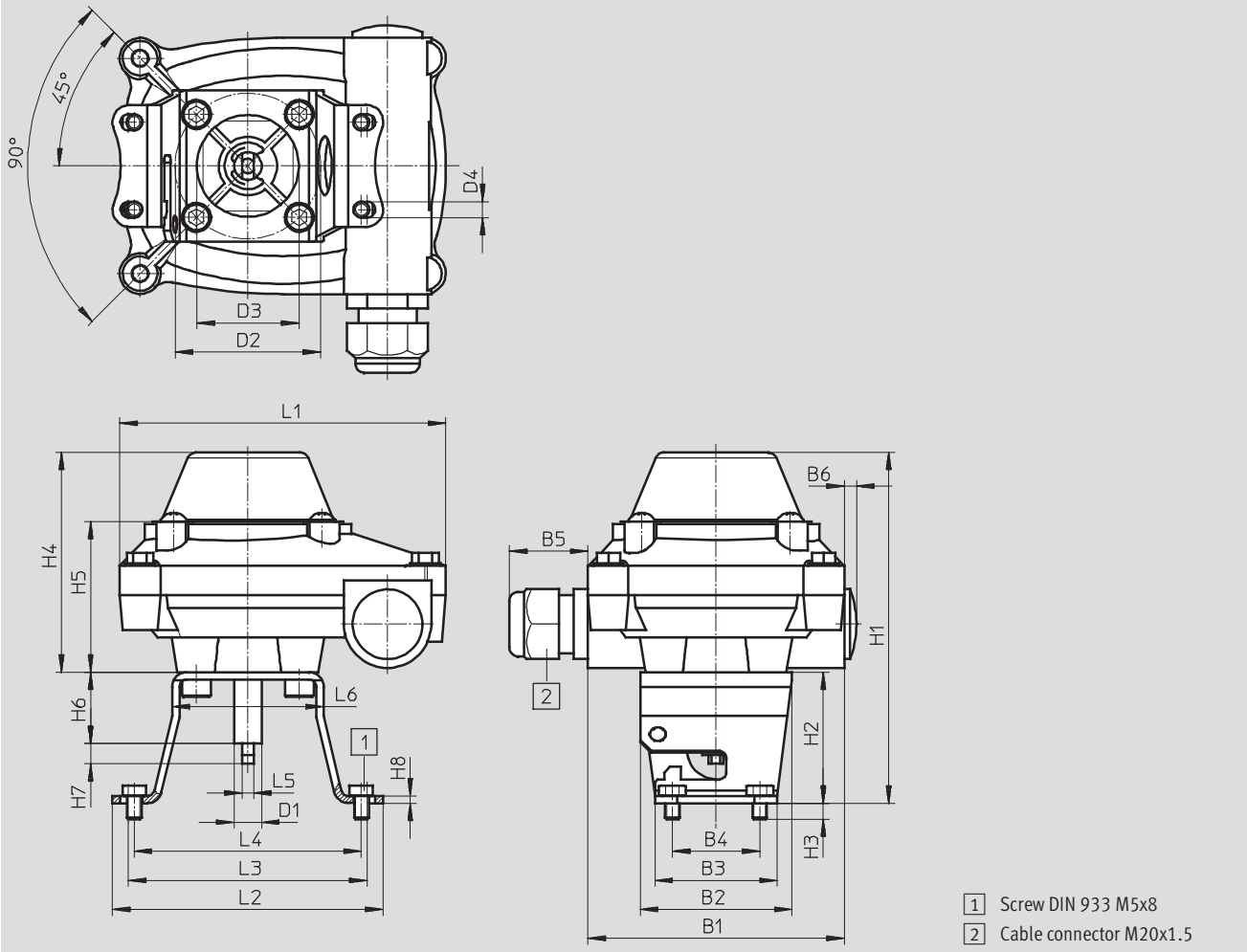
Materials		
1	Housing	Painted die-cast aluminium
2	Screws	High-alloy stainless steel
3	Mounting	High-alloy steel
-	Note on materials	Contains paint-wetting impairment substances, RoHS-compliant

Limit switch attachments SRBF

Technical data

Dimensions

Download CAD data → www.festo.com



	B1	B2	B3	B4	B5	B6	D1	D2	D3	D4	H1	H2
SRBF-CA3- ...	88	52	42	30	27	4.3	9.5	50	35	5.5	121	45

	H3	H4	H5	H6	H7	H8	L1	L2	L3	L4	L5	L6
SRBF-CA3- ...	5.5	75.5	51.8	24.5	7	2.5	112	93	82	78	4	52

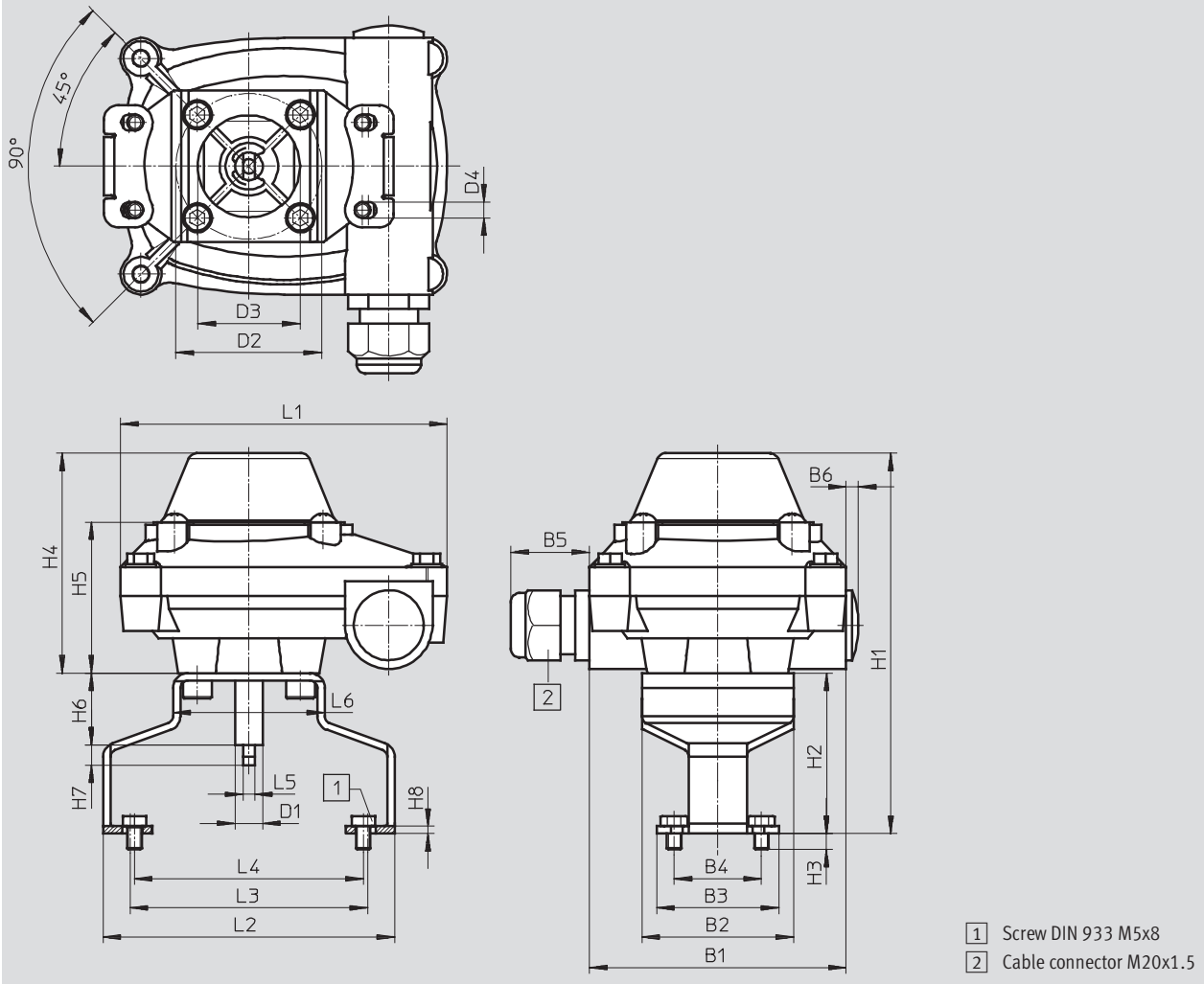
Limit switch attachments SRBF

Technical data

FESTO

Dimensions

Download CAD data → www.festo.com



	B1	B2	B3	B4	B5	B6	D1	D2	D3	D4	H1	H2
SRBF-CA4- ...	88	52	42	30	27	4.3	9.5	50	35	5.5	131	55

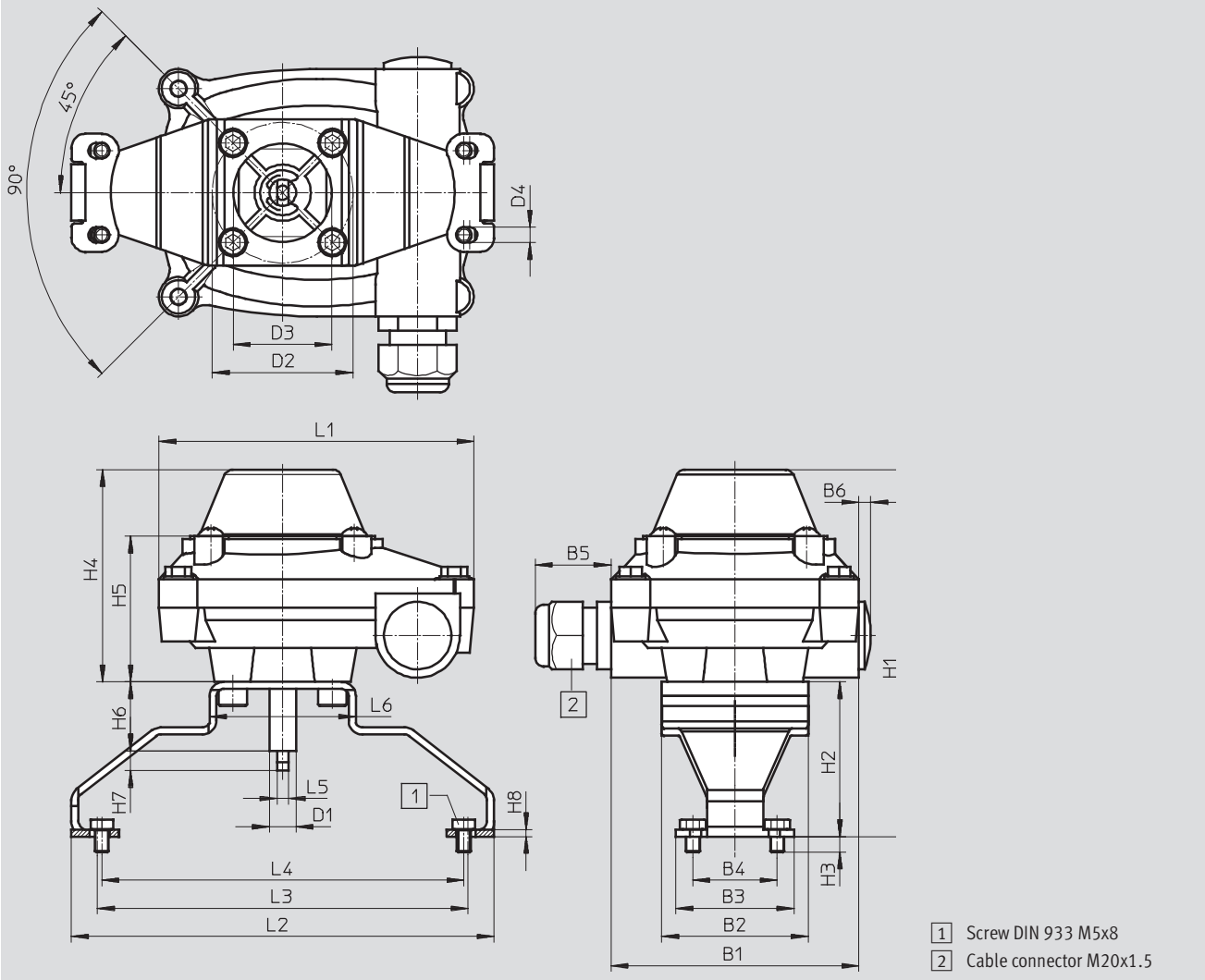
	H3	H4	H5	H6	H7	H8	L1	L2	L3	L4	L5	L6
SRBF-CA4- ...	5.5	75.5	51.8	24.5	7	2.5	112	100	81.5	78.5	4	52

Limit switch attachments SRBF

Technical data

Dimensions

Download CAD data → www.festo.com



	B1	B2	B3	B4	B5	B6	D1	D2	D3	D4	H1	H2
SRBF-CA5- ...	88	52	42	30	27	4.3	9.5	50	35	5.5	131	55
SRBF-CA6- ...	88	52	42	30	27	4.3	9.5	50	35	5.5	151	75

	H3	H4	H5	H6	H7	H8	L1	L2	L3	L4	L5	L6
SRBF-CA5- ...	5.5	75.5	51.8	24.5	7	2.5	112	150.3	131.7	128.7	4	52
SRBF-CA6- ...	5.5	75.5	51.8	24.5	7	2.5	112	150	131.5	128.5	4	52

Ordering data

	Brief description	Mounting adapter dimensions [mm]	Weight [g]	Part No.	Type
	Limit switch attachment with two mechanical switches, including mounting adapter	30x80	655	1152495	SRBF-CA3-YR90-MW-22A-C2M20
		30x80	680	1152496	SRBF-CA4-YR90-MW-22A-C2M20
		30x130	710	1152497	SRBF-CA5-YR90-MW-22A-C2M20
		30x130	725	1152498	SRBF-CA6-YR90-MW-22A-C2M20

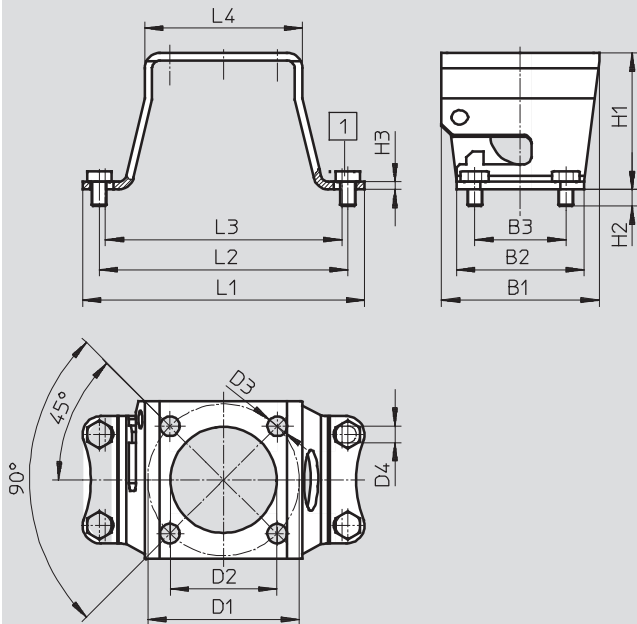
Limit switch attachments SRBF

Technical data

FESTO

Dimensions

Download CAD data → www.festo.com

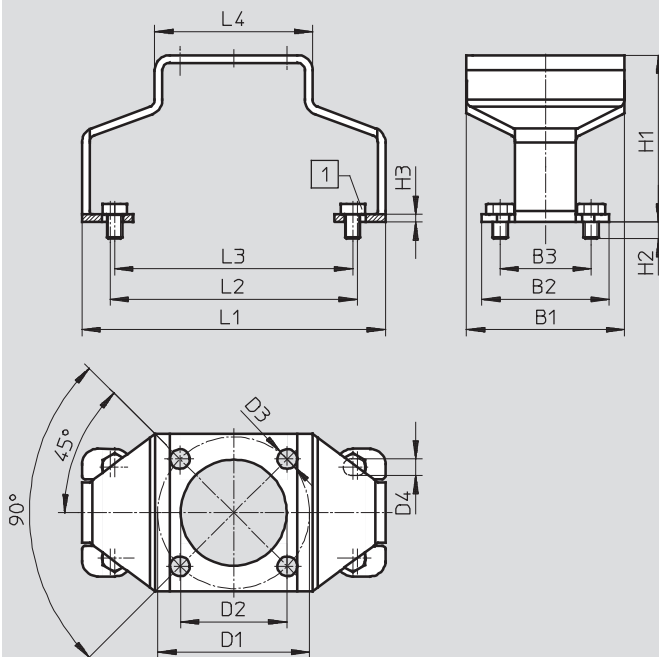


1 Screw DIN 933 M5x8

	B1	B2	B3	D1	D2	D3	D4	H1	H2	H3	L1	L2	L3	L4
DARQ-K-A1-... 20	52	42	30	50	35	6.5	5.5	45	5.5	2.5	93	82	78	52

Dimensions

Download CAD data → www.festo.com



1 Screw DIN 933 M5x8

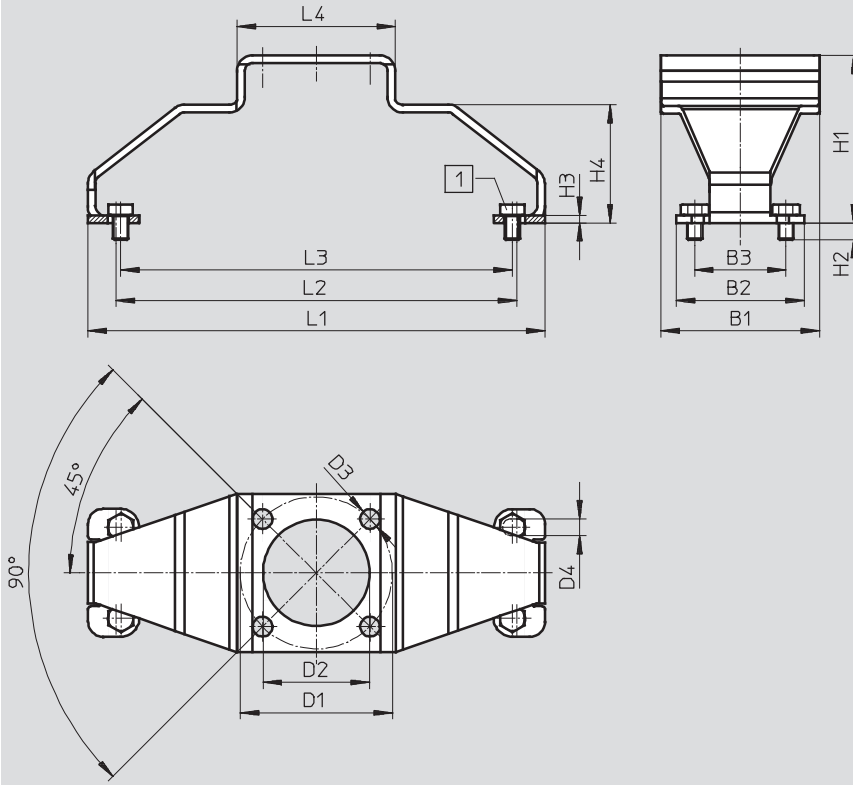
	B1	B2	B3	D1	D2	D3	D4	H1	H2	H3	L1	L2	L3	L4
DARQ-K-A1-... 30	52	42	30	50	35	6.5	5.5	55	5.5	2.5	100	81.5	78.5	52

Limit switch attachments SRBF

Technical data

Dimensions


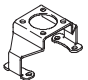
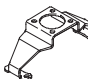

Download CAD data → www.festo.com



1 Screw DIN 933 M5x8

	B1	B2	B3	D1	D2	D3	D4	H1	H2	H3	H4	L1	L2	L3	L4
DARQ-K-A2- ... 30	52	42	30	50	35	6.5	5.5	55	5.5	2.5	38.5	150.3	131.7	128.7	52
DARQ-K-A2- ... 50	52	42	30	50	35	6.5	5.5	75	5.5	2.5	58.5	150	131.5	128.5	52

Ordering data

	Brief description	Materials	CRC ¹⁾	Weight [g]	Part No.	Type
	Mounting adapter, any mounting position	Mounting adapter: High-alloy steel	1	125	1162556	DARQ-K-A1-F05-20-R1
		Screws: High-alloy stainless steel	1	150	1162558	DARQ-K-A1-F05-30-R1
		Contains paint-wetting impairment substances, RoHS-compliant	1	180	1162559	DARQ-K-A2-F05-30-R1
			1	195	1162560	DARQ-K-A2-F05-50-R1

1) Corrosion resistance class 1 according to Festo standard 940 070

Components subject to low corrosion stress. Transport and storage protection. Parts that do not have primarily decorative surface requirements, e.g. in internal areas that are not visible or behind covers.