

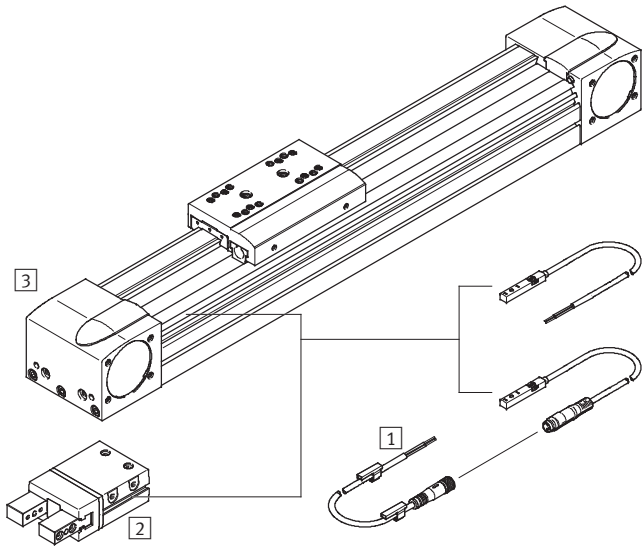
Proximity sensors SIES-8M, inductive for T-slot



Proximity sensors SIES-8M, inductive for T-slot

Peripherals overview and type codes

Peripherals overview



Mounting attachments and accessories		→ Page/Internet
1	Connecting cable NEBU-M8...3	6
2	Gripper with T-slot e.g. parallel gripper DHPS	gripper
3	Electric axis EGC	egc

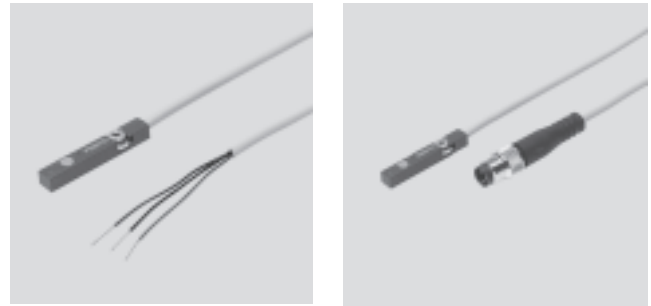
Type codes

		SIE	S	-	8M	-	P	S	-	24V	-	K	-	2,5	-	M8D
Type																
SIE	Proximity sensor, inductive															
Design																
S	Special design															
Design																
8M	For T-slot															
Switching output																
P	PNP															
N	NPN															
Switching element function																
S	N/O contact															
O	N/C contact															
Rated operating voltage																
24V	24 VDC															
Cable attributes																
K	Standard + energy chain															
Cable length																
0,3	0.3 m															
2,5	2.5 m															
5,0	5.0 m															
7,5	7.5 m															
10	10 m															
Electrical connection																
OE	Cable, 3-wire, open end															
M8D	Cable with plug M8x1, 3-pin, knurled ring															

Proximity sensors SIES-8M, inductive for T-slot

Technical data

- Inductive proximity sensor for T-slot, insertable from above
- Suitable for position sensing for electric axes EGC and grippers with T-slot
- 2 LEDs for better visibility, regardless of the side from which the axis approaches the sensor



General technical data	
Type of mounting	Screw-clamped in slot, insertable from above, flush with T-slot
Connection direction	In-line
Rated operating distance S_n [mm]	1.5
Repetition accuracy under constant conditions [mm]	≤ 0.05 lateral connection ≤ 0.02 axial connection
Max. switching frequency [Hz]	5,000
Switching status display	Yellow LED
Conforms to	EN 60947-5-2
Cable attributes	Standard + energy chain
Cable test conditions	Energy chain: 5 million cycles, bending radius 75 mm Resistance to bending: to Festo standard; test conditions on request
Degree of contamination	3

Electrical data	
Switching output	PNP NPN
Switching element function	N/C contact N/O contact
Electrical connection	Cable, 3-wire Cable with plug, M8x1, knurled ring, 3-pin
Operating voltage range DC [V]	10 ... 30
Insulation voltage [V]	50
Max. output current [mA]	150
Surge capacity [kV]	0.8
Idle current [mA]	≤ 10
Protection against short circuit	Pulsed
Protection against polarity reversal	For all electrical connections
Protection class	IP65 IP67

Operating and environmental conditions	
Ambient temperature [°C]	-25 ... +70
Ambient temperature with flexible cable installation [°C]	-5 ... +70
CE mark (see declaration of conformity)	To EU EMC Directive ¹⁾
Certification	RCM trademark cULus listed (OL)

1) For information about the applicability of the component see the manufacturer's EC declaration of conformity at: www.festo.com → Support → User documentation.
If the component is subject to restrictions on usage in residential, office or commercial environments or small businesses, further measures to reduce the emitted interference may be necessary.

Proximity sensors SIES-8M, inductive for T-slot

Technical data

FESTO

Materials	SIES-8M-...-OE	SIES-8M-...-M8D
Housing	- Polyamide Polyurethane High-alloy stainless steel	Brass, nickel-plated
Cable sheath	Thermoplastic polyurethane elastomer	
Note on materials	Free of copper and PTFE RoHS-compliant	

Pin allocation

Cable		Plug	
PNP N/O contact	NPN N/O contact	PNP N/O contact	NPN N/O contact
PNP N/C contact	NPN N/C contact	PNP N/C contact	NPN N/C contact

Core colours

BN = brown BK = black BU = blue

Dimensions

SIES-8M-...-OE Download CAD data → www.festo.com

- 1 Cable
- 3 Clamping component, max. tightening torque 0.6 Nm
- 4 Switching status display



SIES-8M-...-M8D

- 1 Cable
- 2 Plug
- 3 Clamping component, max. tightening torque 0.3 Nm
- 4 Switching status display

	L1
SIES-8M-...-0,3-M8D	300 ⁺⁵⁰
SIES-8M-...-2,5-M8D	2,500 ⁺⁵⁰
SIES-8M-...-5,0-M8D	5,000 ⁺⁵⁰
SIES-8M-...-7,5-M8D	7,500 ⁺⁷⁵
SIES-8M-...-10-M8D	10,000 ⁺¹⁰⁰

Proximity sensors SIES-8M, inductive for T-slot

Technical data

Ordering data							
Size	S _n ¹⁾ [mm]	Mounting position	Switching output	Switching element function	Cable length [m]	Part No.	Type
Cable							
	1.5	Flush	PNP	N/O contact	7.5	551386	SIES-8M-PS-24V-K-7,5-OE
				N/C contact	7.5	551391	SIES-8M-PO-24V-K-7,5-OE
			NPN	N/O contact	7.5	551396	SIES-8M-NS-24V-K-7,5-OE
				N/C contact	7.5	551401	SIES-8M-NO-24V-K-7,5-OE
Cable with plug							
	1,5	Flush	PNP	N/O contact	0.3	551387	SIES-8M-PS-24V-K-0,3-M8D
					2.5	551388	SIES-8M-PS-24V-K-2,5-M8D
					5.0	551389	SIES-8M-PS-24V-K-5,0-M8D
					10	551390	SIES-8M-PS-24V-K-10-M8D
				N/C contact	0.3	551392	SIES-8M-PO-24V-K-0,3-M8D
					2.5	551393	SIES-8M-PO-24V-K-2,5-M8D
					5.0	551394	SIES-8M-PO-24V-K-5,0-M8D
					10	551395	SIES-8M-PO-24V-K-10-M8D
			NPN	N/O contact	0.3	551397	SIES-8M-NS-24V-K-0,3-M8D
					2.5	551398	SIES-8M-NS-24V-K-2,5-M8D
					5.0	551399	SIES-8M-NS-24V-K-5,0-M8D
					10	551400	SIES-8M-NS-24V-K-10-M8D
				N/C contact	0.3	551402	SIES-8M-NO-24V-K-0,3-M8D
					2.5	551403	SIES-8M-NO-24V-K-2,5-M8D
					5.0	551404	SIES-8M-NO-24V-K-5,0-M8D
					10	551405	SIES-8M-NO-24V-K-10-M8D

1) S_n Rated operating distance [mm]

Proximity sensors SIES-8M, inductive for T-slot

Accessories



Sensor bracket SIEZ-8M

For mounting proximity sensors
SIES-8M on any housing

Material:

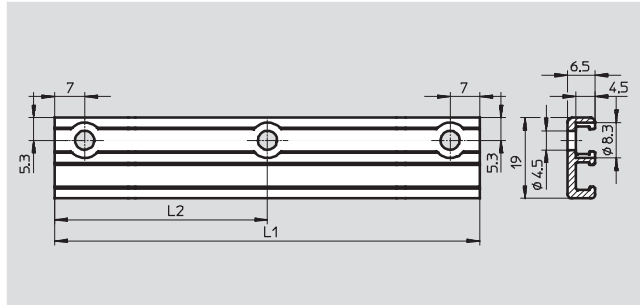
Wrought aluminium alloy, steel,
thermoplastic polyurethane elastomer

Note on material:

RoHS-compliant



SIEZ-8M-200



Dimensions and ordering data				
	L1	L2	Part No.	Type
Sensor bracket	200	-	551406	SIEZ-8M-200
	400	100	551407	SIEZ-8M-400

Ordering data – Slot cover for T-slot				
	Assembly	Length	Part No.	Type
	Insertable from above	2x 0.5 m	563360	ABP-5-S1

Ordering data – Connecting cables M8x1				Technical data → Internet: nebu	
	Electrical connection, left	Electrical connection, right	Cable length [m]	Part No.	Type
	Straight socket, M8x1, 3-pin	Cable, open end, 3-wire	2.5	541333	NEBU-M8G3-K-2.5-LE3
			5	541334	NEBU-M8G3-K-5-LE3
			10	541332	NEBU-M8G3-K-10-LE3
	Angled socket, M8x1, 3-pin	Cable, open end, 3-wire	2.5	541338	NEBU-M8W3-K-2.5-LE3
			5	541341	NEBU-M8W3-K-5-LE3
			10	541335	NEBU-M8W3-K-10-LE3