

Sealing material


FESTO



Sealing material

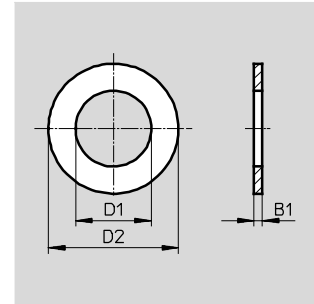
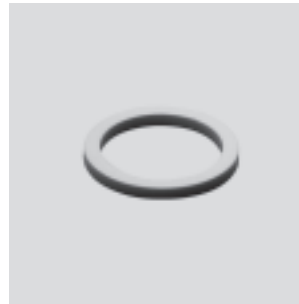
Technical data

Sealing ring O

 Pressure
-0.95 ... +10 bar

Material:
Sealing ring O: Polyvinyl chloride
Sealing ring O-M3-B: Polyamide

Note on materials:
Free of copper and PTFE
Conforms to RoHS (O-1/8 ... O-3/4 only)



Dimensions and ordering data							
For thread	Temperature range [°C]	D1	D2	B1	Part No.	Type	PU*
M3	-40 ... +100	2.8	4.8	0.3	30290	O-M3-B	1
M5	-10 ... +60	5.1	8	1	3565	O-M5	1
					534226	O-M5-500	500
G1/8		10	13	1.5	2223	O-1/8	1
					534227	O-1/8-500	500
G1/4		13.2	18	2	2224	O-1/4	1
					534228	O-1/4-200	200
G3/8		16.8	22	2	2225	O-3/8	1
					534229	O-3/8-200	200
G1/2		21	28	2	2226	O-1/2	1
					534230	O-1/2-100	100
G3/4		26.5	33	2	2227	O-3/4	1
G1		33.3	38.9	2	210893	O-1	1

* Packaging unit quantity


Sealing material

Technical data

FESTO

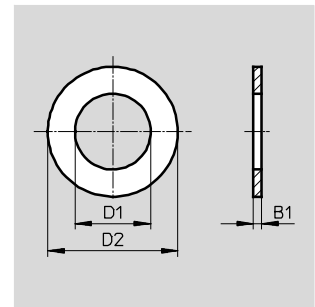
Sealing ring CRO

Sealing ring CRO for use in the chemicals and food processing industries


 Temperature range
 -40 ... +80 °C

Material:
 Polyvinylidene fluoride

Note on materials:
 Conforms to RoHS



General technical data	
Mounting position	Any

Operating and environmental conditions	
Operating medium	Compressed air in accordance with ISO 8573-1:2010 [7:-:-]
Note on operating/pilot medium	Operation with lubricated medium possible
Ambient temperature [°C]	-40 ... +80
Suitable for use in the food industry	As per manufacturer's declaration

Dimensions and ordering data							
For thread	D1	D2	B1	Weight/ piece [g]	Part No.	Type	PU*
M5	5.1	8	1	0.05	165191	CRO-M5	1
G $\frac{1}{8}$	10	13	2	0.19	575895	CRO- $\frac{1}{8}$	1
G $\frac{1}{4}$	13.2	18	2	0.42	165193	CRO- $\frac{1}{4}$	1
G $\frac{3}{8}$	16.8	22	2	0.56	165194	CRO- $\frac{3}{8}$	1
G $\frac{1}{2}$	21	28	2	0.96	165195	CRO- $\frac{1}{2}$	1
G $\frac{3}{4}$	26.5	33	2	1.08	165196	CRO- $\frac{3}{4}$	1
G1	33.3	38.9	2	1.13	165197	CRO-1	1


* Packaging unit quantity


Sealing material

Technical data

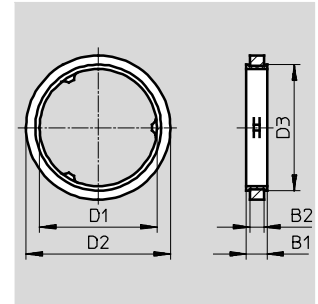
Sealing ring OL
with metal housing

- Based on ISO 16030 standard
- Seals at room temperature when tightened by hand
- Captive
- Reusable
- Compatible with the existing O and OK sealing rings

-  - Temperature range
-40 ... +100 °C

-  - Pressure
-0.95 ... +30 bar

Note on materials:
Free of copper and PTFE
Conforms to RoHS



Dimensions and ordering data												
For thread	Min. tightening torque [Nm]	Max. tightening torque [Nm]	D1	D2	D3	B1	B2	CRC ¹⁾	Weight [g]	Part No.	Type	PU*
Stainless steel, nitrile rubber												
M5	0.5	6	5.05	7.4	6.25	1.45	1	2	1	34634	OL-M5	1
										534231	OL-M5-500	500
G ¹ / ₈	1	26	9.8	12.8	11.1	1.8	1.3	2	1	33840	OL- ¹ / ₈	1
										534232	OL- ¹ / ₈ -500	500
G ¹ / ₄	2	40	13.2	16.8	14.4	2.2	1.6	2	1	34635	OL- ¹ / ₄	1
										534233	OL- ¹ / ₄ -200	200
Aluminium, nitrile rubber												
G ³ / ₈	10	50	16.65	20.5	17.9	2.95	1.95	2	2	34636	OL- ³ / ₈	1
										534234	OL- ³ / ₈ -200	200
G ¹ / ₂	18	80	21	25.5	22.2	2.6	1.95	2	2	34637	OL- ¹ / ₂	1
										534235	OL- ¹ / ₂ -100	100
G ³ / ₄	-	120	26.5	32	28.4	2.6	1.95	2	2	34638	OL- ³ / ₄	1


1) Corrosion resistance class 2 according to Festo standard 940 070
Components requiring moderate corrosion resistance. Externally visible parts with primarily decorative surface requirements which are in direct contact with a normal industrial environment or media such as coolants or lubricating agents.
* Packaging unit quantity


Sealing material

Technical data

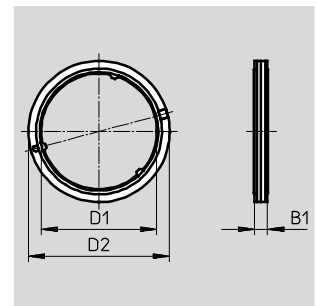
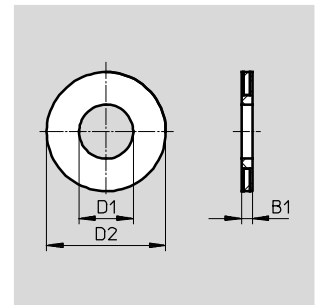
Sealing ring OK with support ring

- Based on ISO 16030 standard
- Seals at room temperature when tightened by hand
- Captive design
- Compatible with the existing O and OL sealing rings

 Temperature range
-10 ... +60 °C

 Pressure
-0.95 ... +10 bar

Note on materials:
Free of copper and PTFE
Conforms to RoHS



Dimensions and ordering data										
For thread	Min. tightening torque [Nm]	Max. tightening torque [Nm]	D1	D2	B1	CRC ¹⁾	Weight [g]	Part No.	Type	PU*
Stainless steel, nitrile rubber										
M3	0.15	0.8	2.5	5.5	0.5	2	0.04	130849	OK-M3	1
M5	0.25	2.4	4.3	7.8	0.5		0.1	130850	OK-M5	1
M7	0.3	6.4	6.4	9.8	0.5		0.1	130851	OK-M7	1
Polyamide, thermoplastic polyurethane										
G ¹ / ₈	2	5	9.9	13.15	1.60	2	0.12	531771	OK- ¹ / ₈	1
G ¹ / ₄	10	12	13.3	18.15	2.20		0.32	531772	OK- ¹ / ₄	1
G ³ / ₈	10	15	16.8	22.15	2.20		0.44	531773	OK- ³ / ₈	1
G ¹ / ₂	10	18	21.2	26.45	2.35		0.6	531774	OK- ¹ / ₂	1
G ³ / ₄	30	40	26.7	32.45	2.95		1	531775	OK- ³ / ₄	1

1) Corrosion resistance class 2 according to Festo standard 940 070
Components requiring moderate corrosion resistance. Externally visible parts with primarily decorative surface requirements which are in direct contact with a normal industrial environment or media such as coolants or lubricating agents.

* Packaging unit quantity

Sealing material

Technical data

Sealing ring assortment OL-S1

This polymer assortment box contains OL sealing rings ranging in size from M5 to G $\frac{3}{4}$.



Ordering data						
Contents	Quantity	Min. tightening torque [Nm]	Max. tightening torque [Nm]	Weight [g]	Part No.	Type
OL-M5	50	0.5	6	1	161355	OL-S1
OL- $\frac{1}{8}$	100	1	26	1		
OL- $\frac{1}{4}$	100	2	40	1		
OL- $\frac{3}{8}$	40	10	50	2		
OL- $\frac{1}{2}$	30	18	80	2		
OL- $\frac{3}{4}$	10	-	120	2		

Sealing ring assortment OK-S1

This assortment box contains OK sealing rings ranging in size from M3 to G $\frac{3}{4}$.



Note on materials:
Conforms to RoHS

Ordering data						
Contents	Quantity	Min. tightening torque [Nm]	Max. tightening torque [Nm]	Weight [g]	Part No.	Type
OK-M3	50	0.15	0.8	0.04	570465	OK-S1
OK-M5	100	0.25	2.4	0.1		
OK-M7	50	0.3	6.4	0.1		
OK- $\frac{1}{8}$	100	2	5	0.12		
OK- $\frac{1}{4}$	100	10	12	0.32		
OK- $\frac{3}{8}$	40	10	15	0.44		
OK- $\frac{1}{2}$	30	10	18	0.6		
OK- $\frac{3}{4}$	10	30	40	1		

Sealing material

Technical data

Thread sealing tape **GWB-0,1**



Ordering data				
Width [mm]	Thickness [mm]	Length [m]	Part No.	Type
10	0.1	12.5	9076	GWB-0,1