

Pressure sensors SDE1, with display



Pressure sensors SDE1, with display

Product range overview

| Method of measurement | Operating voltage [V DC] | Measured variable | Pressure measuring range [bar] | Pneumatic connection | Type of mounting | Electrical output | |
|---|-----------------------------|---|---|--|--|-------------------|-------------|
| | | | | | | Digital | Analogue |
| Piezoresistive pressure sensor with display | 15 ... 30 | Relative pressure Differential and relative pressure | -1 ... 0, -1 ... +1, 0 ... 2, 0 ... 6, 0 ... 10 | Male thread R1/8, R1/4 Female thread G1/8 Push-in fitting for tubing O.D. 4 mm | On service unit, via H-rail, via wall/surface bracket, front panel mounting | PNP | - |
| | | | | | | 2x PNP | - |
| | | | | | | PNP | 0 ... 10 V |
| | | | | | | PNP | 4 ... 20 mA |
| | | | | | | 2x PNP | 4 ... 20 mA |
| | | | | | | NPN | - |
| | | | | | | 2x NPN | - |
| | | | | | | NPN | 0 ... 10 V |
| NPN | 4 ... 20 mA | | | | | | |

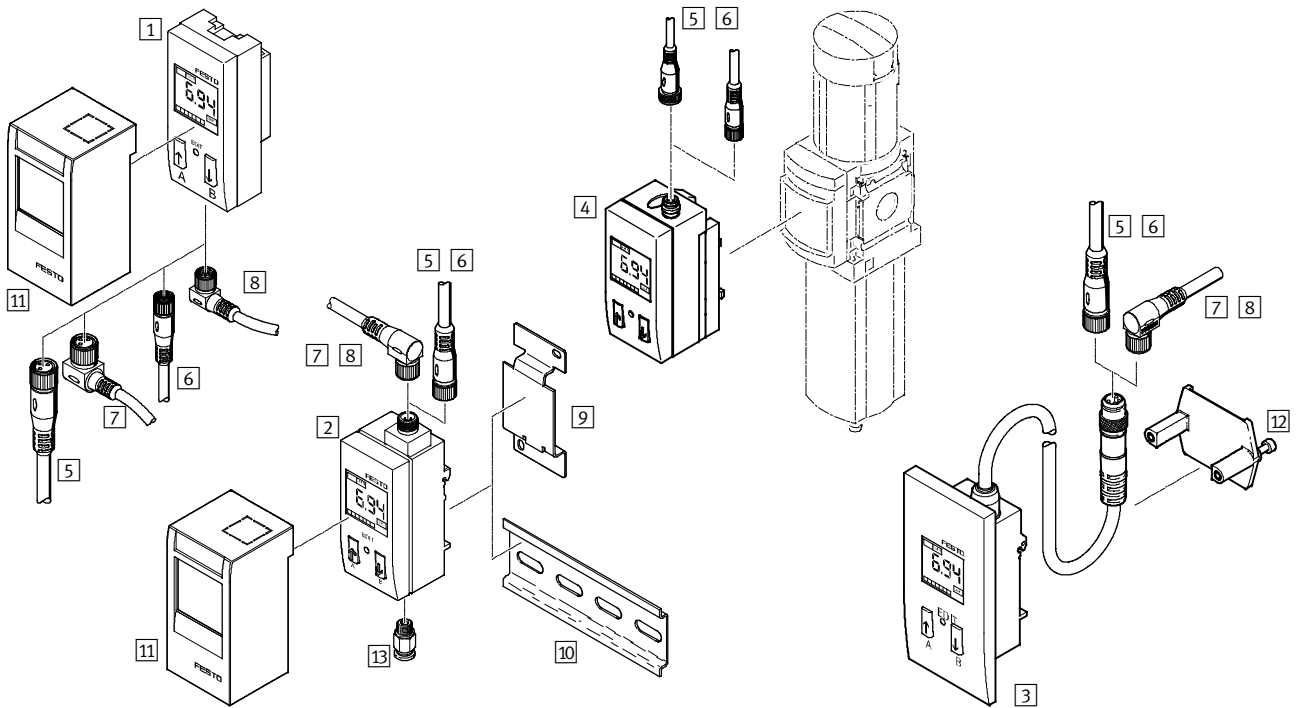
Variants

- LCD display with backlighting (optimised operation)
- Illuminated LCD display (optimised reading)
- Electrical output PNP, 2x PNP, NPN, 2x NPN, 0 ... 10 V analogue, 4 ... 20 mA analogue and combinations thereof
- Electrical connection with plug M8x1 or M12x1
- Connecting cable

Pressure sensors SDE1, with display

Peripherals overview

FESTO



| Mounting attachments and accessories | → Page/Internet |
|--|-----------------|
| 1 Pressure sensor SDE1-...-R18, SDE1-...-R14 | 5 |
| 2 Pressure sensor SDE1-...-H18, SDE1-...-W18 | 5 |
| 3 Pressure sensor SDE1-...-FQ4 | 5 |
| 4 Pressure sensor SDE1-...-MS... | 5 |
| 5 Connecting cable NEBU-M12G... | 14 |
| 6 Connecting cable, straight socket NEBU-M8G... | 14 |
| 7 Connecting cable, angled socket NEBU-M12W... | 14 |

| Mounting attachments and accessories | → Page/Internet |
|--|-----------------|
| 8 Connecting cable NEBU-M8W... with angled socket | 14 |
| 9 Adapter plate SDE1-...-W-... | 14 |
| 10 Mounting rail to DIN EN 60715 | nrh |
| 11 Protective cover SDE1-SH | 14 |
| 12 Clamping plate (included in the scope of delivery with SDE1-...-FQ4) | - |
| 13 Push-in fitting QS-1/8 | 14 |

Pressure sensors SDE1, with display

Type codes

FESTO

SDE1 - D10 - G2 - W18 - L - P1 - M12 - G5

Function

| | |
|------|------------------------------|
| SDE1 | Pressure sensor with display |
|------|------------------------------|

Pressure measuring range

| | |
|-----|---------------|
| V1 | -1 ... 0 bar |
| B2 | -1 ... +1 bar |
| D2 | 0 ... 2 bar |
| D6 | 0 ... 6 bar |
| D10 | 0 ... 10 bar |

Absolute accuracy

| | |
|----|-------------|
| G2 | Accuracy 2% |
|----|-------------|

Pneumatic connection and mounting

Measured variable: relative pressure

| | |
|-----|--|
| R18 | Male thread R $\frac{1}{8}$, mounting on service unit |
| R14 | Male thread R $\frac{1}{4}$, mounting on service unit |
| MS4 | Direct connection to MS4 series service units |
| MS6 | Direct connection to MS6 series service units |
| H18 | Female thread G $\frac{1}{8}$, H-rail mounting |
| W18 | Female thread G $\frac{1}{8}$, wall or surface mounting |

Measured variable: differential pressure and relative pressure

| | |
|-----|--|
| FQ4 | Push-in connector QS-4, front panel mounting |
| HQ4 | Push-in connector QS-4, DIN H-rail mounting |
| WQ4 | Push-in connector QS-4, wall or surface mounting |

Display and setting

| | |
|---|---|
| C | LCD display with backlighting (optimised operation) |
| L | Illuminated LCD display (optimised reading) |

Electrical output

| | |
|----|--|
| P1 | 1 switching output PNP |
| P2 | 2 switching outputs PNP |
| PU | 1 switching output PNP and 0 ... 10 V analogue |
| PI | 1 switching output PNP and 4 ... 20 mA analogue |
| 2I | 2 switching outputs PNP and 4 ... 20 mA analogue |
| N1 | 1 switching output NPN |
| N2 | 2 switching outputs NPN |
| NU | 1 switching output NPN and 0 ... 10 V analogue |
| NI | 1 switching output NPN and 4 ... 20 mA analogue |

Electrical connection

| | |
|-----|------------|
| M8 | Plug M8x1 |
| M12 | Plug M12x1 |

Electric accessories

Connecting cable, straight plug socket

| | |
|----|------------|
| G | 2.5 m long |
| G5 | 5 m long |

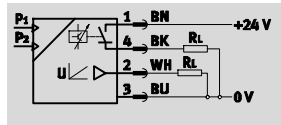
Connecting cable, angled plug socket

| | |
|----|------------|
| W | 2.5 m long |
| W5 | 5 m long |

Pressure sensors SDE1, with display

Technical data

Function¹⁾

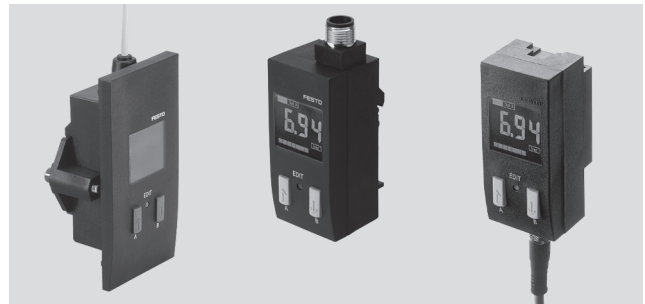


1) e.g. with 1 switching output PNP and 0 ... 10 V analogue

- - Voltage
15 ... 30 V DC

- - Pressure
-1 ... +10 bar

- - Temperature range
0 ... 50 °C



| General technical data | | | | | |
|---|---|--------|-------|-------|-------|
| SDE1-... | -R... | -MS... | -H... | -W... | -F... |
| Certification | cULus recognized (OL) C-Tick | | | | - |
| CE mark (see declaration of conformity) ¹⁾ | To EU EMC Directive | | | | |
| Note on materials | Free of copper and PTFE RoHS-compliant | | | | |

1) For information about the applicability of the component see the manufacturer's EC declaration of conformity at: www.festo.com → Support → User documentation.
If the component is subject to restrictions on usage in residential, office or commercial environments or small businesses, further measures to reduce the emitted interference may be necessary.

| Input signal/measuring element | | | | | |
|--------------------------------|--|----------|---------|---------|----------|
| SDE1 | -B2 | -V1 | -D2 | -D6 | -D10 |
| Measured variable | Relative pressure Differential pressure ²⁾ | | | | |
| Method of measurement | Piezoresistive pressure sensor with display | | | | |
| Operating medium | Compressed air in accordance with ISO 8573-1:2010 [7:4:4] | | | | |
| Note on operating/pilot medium | Operation with lubricated medium possible (in which case lubricated operation will always be required) | | | | |
| Pressure measuring range [bar] | -1 ... +1 | 0 ... -1 | 0 ... 2 | 0 ... 6 | 0 ... 10 |
| Temperature of medium [°C] | 0 ... 50 | | | | |
| Ambient temperature [°C] | 0 ... 50 | | | | |

2) Versions with push-in connector QS-4

| Output, general | | |
|---------------------------|-----|---|
| Accuracy FS ³⁾ | [%] | 2 |

3) % FS = % of the measuring range (full scale)

| Switching output | |
|--|---------------------|
| Switching output | PNP NPN |
| Switching function | Freely programmable |
| Switching element function | Switchable |
| Reproducibility of switching value [%] | 0.3 |
| Max. output current [mA] | 150 |

| Analogue output | |
|-----------------|----------------------|
| Analogue output | [V] [mA] |
| | 0 ... 10 4 ... 20 |

| Output, additional data | |
|----------------------------------|--------|
| Protection against short circuit | Pulsed |

Pressure sensors SDE1, with display

Technical data

| Electronic components | | |
|-----------------------------|-----|--------------------------------|
| Operating voltage range DC | [V] | 15 ... 30 |
| Reverse polarity protection | | For all electrical connections |

| Electromechanical components | | |
|------------------------------|------------------|-------------------|
| SDE1-... | -M8 | -M12 |
| Electrical connection | Plug M8x1, 3-pin | Plug M12x1, 3-pin |
| | Plug M8x1, 4-pin | Plug M12x1, 4-pin |
| | – | Plug M12x1, 5-pin |
| | Round design | |
| | To EN 60947-5-2 | |

| Mechanical components | |
|-----------------------|--------------------------|
| Type of mounting | Via H-rail |
| | Via wall/surface bracket |
| | On service unit |
| | Front panel mounting |
| Pneumatic connection | R $\frac{1}{8}$ |
| | R $\frac{1}{4}$ |
| | G $\frac{1}{8}$ |
| | QS-4 |
| Housing materials | PA, POM-reinforced |

• † - Note: This product conforms to ISO 1179-1 and to ISO 228-1

| Display/operation | |
|-------------------------------|----------------------|
| Display type | Back illuminated LCD |
| | Illuminated LCD |
| Setting options | Teach-in |
| Threshold value setting range | [%] 2 ... 99.8 |
| Hysteresis setting range | [%] 0 ... 90 |

| Immissions/emissions | |
|--|------|
| Protection class | IP65 |
| Corrosion resistance class CRC ⁴⁾ | 2 |

4) Corrosion resistance class 2 according to Festo standard 940 070
Components subject to moderate corrosion stress. Externally visible parts with primarily decorative surface requirements which are in direct contact with a normal industrial environment or media such as coolants or lubricating agents.

Pressure sensors SDE1, with display

Technical data

| Electrical outputs ¹⁾ | | Pin allocations | |
|---|--|---|--|
| 1 switching output PNP | | | |
| Variant P1 with plug M8 | | 1 = +24 V 3 = 0 V 4 = Output A | |
| Variant P1 with plug M12 | | 1 = +24 V 3 = 0 V 4 = Output A | |
| 2 switching outputs PNP | | | |
| Variant P2 with plug M8 | | 1 = +24 V 2 = Output B 3 = 0 V 4 = Output A | |
| Variant P2 with plug M12 | | 1 = +24 V 2 = Output A 3 = 0 V 4 = Output B | |
| 1 switching output PNP and 0 ... 10 V analogue | | | |
| Variant PU with plug M8 | | 1 = +24 V 2 = Output B (0 ... 10 V analogue) 3 = 0 V 4 = Output A | |
| Variant PU with plug M12 | | 1 = +24 V 2 = Output A 3 = 0 V 4 = Output B (0 ... 10 V analogue) | |
| 1 switching output PNP and 4 ... 20 mA analogue | | | |
| Variant PI with plug M8 | | 1 = +24 V 2 = Output B (4 ... 20 mA analogue) 3 = 0 V 4 = Output A | |
| Variant PI with plug M12 | | 1 = +24 V 2 = Output A 3 = 0 V 4 = Output B (4 ... 20 mA analogue) | |
| 2 switching outputs PNP and 4 ... 20 mA analogue | | | |
| Variant 2I with plug M12 | | 1 = +24 V 2 = Output B 3 = 0 V 4 = Output A 5 = Output C (4 ... 20 mA analogue) | |

1) Core colours indicated apply when using connecting cable NEBU.

Pressure sensors SDE1, with display

Technical data

Electrical outputs¹⁾ 1 switching output NPN Pin allocations

| Variant | Circuit Diagram | Pin Allocations | Pin Allocation Diagram |
|--------------------------|-----------------|--------------------------------------|------------------------|
| Variant N1 with plug M8 | | 1 = +24 V 3 = 0 V 4 = Output A | |
| Variant N1 with plug M12 | | 1 = +24 V 3 = 0 V 4 = Output A | |

2 switching outputs NPN

| Variant | Circuit Diagram | Pin Allocations | Pin Allocation Diagram |
|--------------------------|-----------------|--|------------------------|
| Variant N2 with plug M8 | | 1 = +24 V 2 = Output B 3 = 0 V 4 = Output A | |
| Variant N2 with plug M12 | | 1 = +24 V 2 = Output A 3 = 0 V 4 = Output B | |

1 switching output NPN and 0 ... 10 V analogue

| Variant | Circuit Diagram | Pin Allocations | Pin Allocation Diagram |
|--------------------------|-----------------|--|------------------------|
| Variant NU with plug M8 | | 1 = +24 V 2 = Output B (0 ... 10 V analogue) 3 = 0 V 4 = Output A | |
| Variant NU with plug M12 | | 1 = +24 V 2 = Output A 3 = 0 V 4 = Output B (0 ... 10 V analogue) | |

1 switching output NPN and 4 ... 20 mA analogue

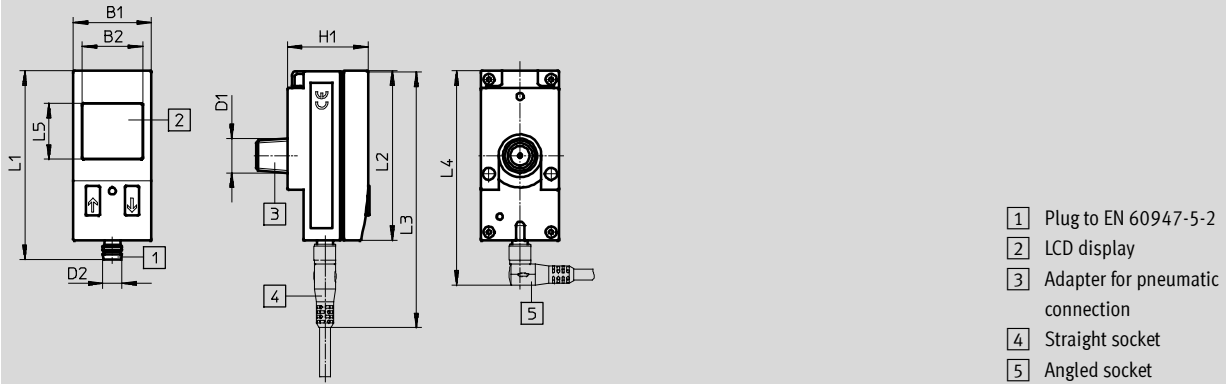
| Variant | Circuit Diagram | Pin Allocations | Pin Allocation Diagram |
|--------------------------|-----------------|---|------------------------|
| Variant NI with plug M8 | | 1 = +24 V 2 = Output B (4 ... 20 mA analogue) 3 = 0 V 4 = Output A | |
| Variant NI with plug M12 | | 1 = +24 V 2 = Output A 3 = 0 V 4 = Output B (4 ... 20 mA analogue) | |

1) Core colours indicated apply when using connecting cable NEBU.

Pressure sensors SDE1, with display

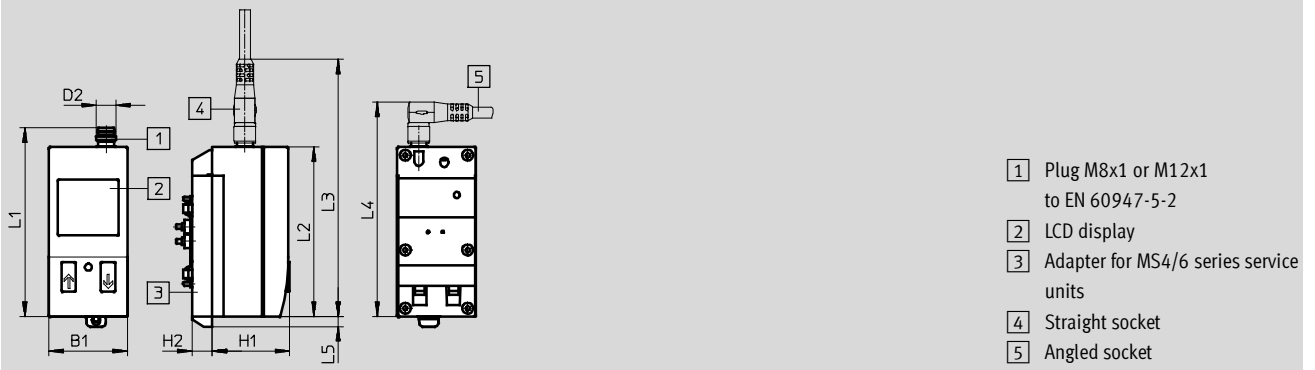
Technical data

Dimensions – Mounting via male thread R $\frac{1}{8}$ or R $\frac{1}{4}$



| Type | B1 | B2 | D1 | D2 | H1 | L1 | L2 | L3 | L4 | L5 |
|------------------|------|----|-----------------|-----|----|----|----|-----|-----|----|
| SDE1-...-R18-M8 | 32.3 | 25 | R $\frac{1}{8}$ | M8 | 33 | 78 | 70 | 107 | 89 | 23 |
| SDE1-...-R14-M8 | | | R $\frac{1}{4}$ | | | | | | | |
| SDE1-...-R18-M12 | 32.3 | 25 | R $\frac{1}{8}$ | M12 | 33 | 87 | 70 | 125 | 103 | 23 |
| SDE1-...-R14-M12 | | | R $\frac{1}{4}$ | | | | | | | |

Dimensions – Direct connection to MS4/6 series service units



| Type | B1 | D2 | H1 | H2 | L1 | L2 | L3 | L4 | L5 |
|---------------------|------|-----|------|-----|----|----|-----|----|------|
| SDE1-...-MS-...-M8 | 32.3 | M8 | 31.2 | 8.8 | 78 | 70 | 107 | 89 | 4.13 |
| SDE1-...-MS-...-M12 | | M12 | | | | | | | |

Pressure sensors SDE1, with display

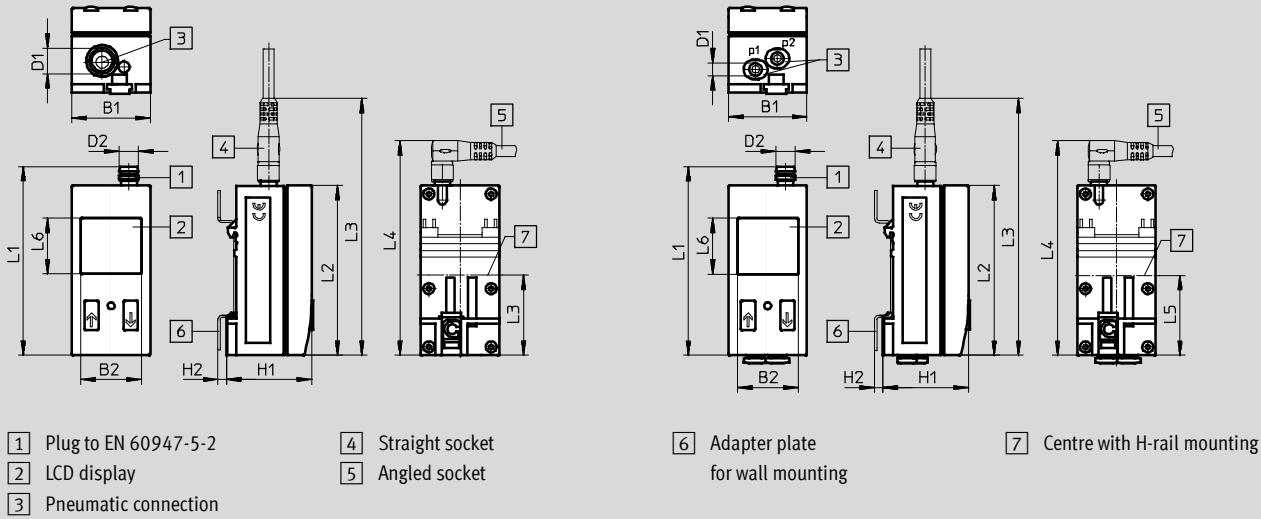
Technical data



Dimensions – H-rail, wall or surface mounting

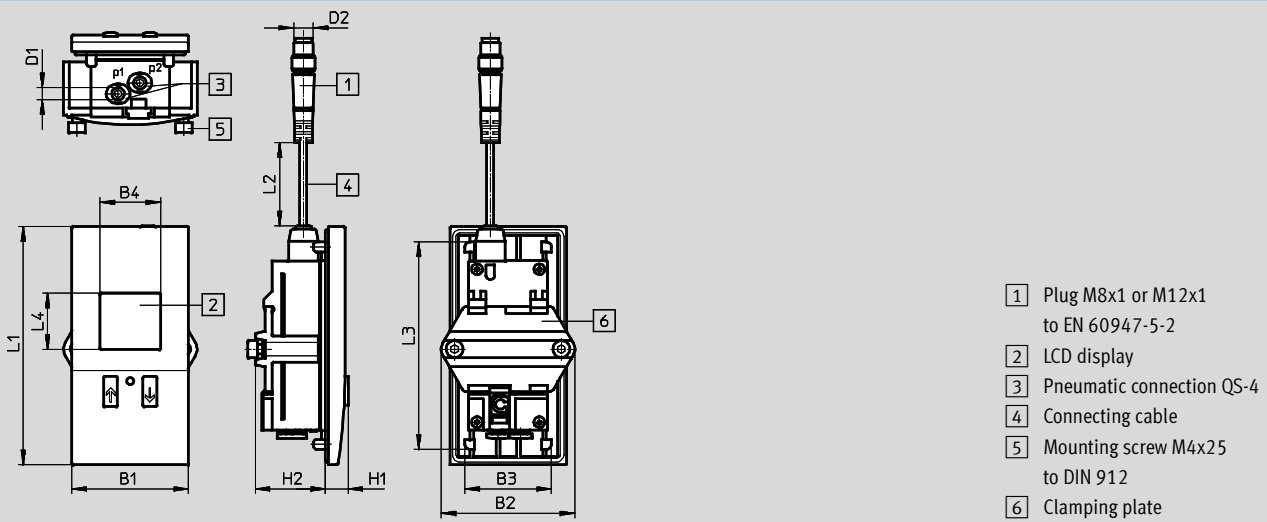
Pneumatic connection G $\frac{1}{8}$

Pneumatic connection QS-4



| Type | B1 | B2 | D1 | D2 | H1 | H2 | L1 | L2 | L3 | L4 | L5 | L6 |
|----------------------|------|----|-----------------|-----|------|-----|----|----|-----|-----|----|----|
| SDE1-...-H18-...-M8 | 32.3 | 25 | G $\frac{1}{8}$ | M8 | 35.2 | 3.6 | 78 | 70 | 107 | 89 | 33 | 23 |
| SDE1-...-W18-...-M8 | | | | | | | | | | | | |
| SDE1-...-H18-...-M12 | 32.3 | 25 | G $\frac{1}{8}$ | M12 | 35.2 | 3.6 | 87 | 70 | 125 | 103 | 33 | 23 |
| SDE1-...-W18-...-M12 | | | | | | | | | | | | |
| SDE1-...-HQ4-...-M8 | 32.3 | 25 | QS-4 | M8 | 35.2 | 3.6 | 78 | 70 | 107 | 89 | 33 | 23 |
| SDE1-...-WQ4-...-M8 | | | | | | | | | | | | |

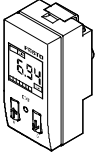
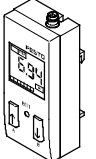
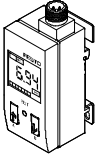
Dimensions – Panel mounting



| Type | B1 | B2 | B3 | B4 | D1 | D2 | H1 | H2 | L1 | L2 | L3 | L4 |
|------------------|----|----|------|----|------|-------|----|----|----|-----|------|----|
| SDE1-...-FQ4-M8 | 48 | 55 | 35.8 | 25 | QS-4 | M8x1 | 8 | 29 | 98 | 320 | 85.3 | 23 |
| SDE1-...-FQ4-M12 | | | | | | M12x1 | | | | | | |


Pressure sensors SDE1, with display

Technical data

| Ordering data – Measured variable: relative pressure | | | | | | | | | | |
|---|--|-------------------------|-----------------|-----------------------|-------------------|-------------------------|--------------------------|-------------------|-------------------------|-------------------------|
| Version | Pressure measuring range [bar] | Switching output | Analogue output | Electrical connection | Display type | Part No. | Type | | | |
|  | Male thread R $\frac{1}{8}$, mounting on D series service unit | | | | | | | | | |
| | 0 ... 10 | PNP | – | Plug M8x1, 3-pin | LCD ¹⁾ | 192026 | SDE1-D10-G2-R18-C-P1-M8 | | | |
| | | | | | Illuminated LCD | 529970 | SDE1-D10-G2-R18-L-P1-M8 | | | |
| | | | | | Plug M12x1, 3-pin | 534064 | SDE1-D10-G2-R18-L-P1-M12 | | | |
| | | 2x PNP | – | Plug M8x1, 4-pin | LCD ¹⁾ | 192027 | SDE1-D10-G2-R18-C-P2-M8 | | | |
| | | | | | PNP | 0 ... 10 V | Plug M8x1, 4-pin | LCD ¹⁾ | 529958 | SDE1-D10-G2-R18-C-PU-M8 |
| | | | | | Illuminated LCD | 529972 | SDE1-D10-G2-R18-L-PU-M8 | | | |
| | Male thread R $\frac{1}{4}$, mounting on D series service unit | | | | | | | | | |
| | 0 ... 10 | PNP | – | Plug M8x1, 3-pin | LCD ¹⁾ | 192028 | SDE1-D10-G2-R14-C-P1-M8 | | | |
| | | | | | Illuminated LCD | 529967 | SDE1-D10-G2-R14-L-P1-M8 | | | |
| | | | | | Plug M12x1, 3-pin | 534157 | SDE1-D10-G2-R14-L-P1-M12 | | | |
| | | 2x PNP | – | Plug M8x1, 4-pin | LCD ¹⁾ | 192029 | SDE1-D10-G2-R14-C-P2-M8 | | | |
| Illuminated LCD | | | | | 529968 | SDE1-D10-G2-R14-L-P2-M8 | | | | |
| PNP | | | | | 0 ... 10 V | Plug M8x1, 4-pin | LCD ¹⁾ | 529957 | SDE1-D10-G2-R14-C-PU-M8 | |
| Illuminated LCD | 529969 | SDE1-D10-G2-R14-L-PU-M8 | | | | | | | | |
|  | Female thread G $\frac{1}{8}$, H-rail mounting | | | | | | | | | |
| | 0 ... -1 | PNP | – | Plug M8x1, 3-pin | LCD ¹⁾ | 192034 | SDE1-V1-G2-H18-C-P1-M8 | | | |
| | | | | | Illuminated LCD | 529973 | SDE1-V1-G2-H18-L-P1-M8 | | | |
| | | | | | 2x PNP | – | Plug M8x1, 4-pin | LCD ¹⁾ | 192035 | SDE1-V1-G2-H18-C-P2-M8 |
| | | PNP | 0 ... 10 V | Plug M8x1, 4-pin | LCD ¹⁾ | 529974 | SDE1-V1-G2-H18-L-P2-M8 | | | |
| | | | | | Illuminated LCD | 529959 | SDE1-V1-G2-H18-C-PU-M8 | | | |
| | | | | | Illuminated LCD | 529975 | SDE1-V1-G2-H18-L-PU-M8 | | | |
| | 0 ... 10 | PNP | – | Plug M8x1, 3-pin | LCD ¹⁾ | 192030 | SDE1-D10-G2-H18-C-P1-M8 | | | |
| | | | | | Illuminated LCD | 529961 | SDE1-D10-G2-H18-L-P1-M8 | | | |
| | | | | | 2x PNP | – | Plug M8x1, 4-pin | LCD ¹⁾ | 192031 | SDE1-D10-G2-H18-C-P2-M8 |
| | | PNP | 0 ... 10 V | Plug M8x1, 4-pin | LCD ¹⁾ | 529962 | SDE1-D10-G2-H18-L-P2-M8 | | | |
| | | | | | Illuminated LCD | 529955 | SDE1-D10-G2-H18-C-PU-M8 | | | |
| Illuminated LCD | | | | | 529963 | SDE1-D10-G2-H18-L-PU-M8 | | | | |
|  | Female thread G $\frac{1}{8}$, for wall or surface mounting ²⁾ | | | | | | | | | |
| | 0 ... -1 | PNP | – | Plug M12x1, 3-pin | Illuminated LCD | 534065 | SDE1-V1-G2-W18-L-P1-M12 | | | |
| | | | | | | 4 ... 20 mA | Plug M8x1, 4-pin | 537022 | SDE1-V1-G2-W18-L-PI-M8 | |
| | | | | | | | Plug M12x1, 4-pin | 537023 | SDE1-V1-G2-W18-L-PI-M12 | |
| | 0 ... 2 | PNP | – | Plug M8x1, 3-pin | Illuminated LCD | 537024 | SDE1-D2-G2-W18-L-P1-M8 | | | |
| | | | | | | 2x PNP | – | Plug M8x1, 4-pin | 537025 | SDE1-D2-G2-W18-L-P2-M8 |
| | 0 ... 6 | PNP | – | Plug M8x1, 3-pin | Illuminated LCD | 537026 | SDE1-D6-G2-W18-L-P1-M8 | | | |
| | | | | | | 2x PNP | – | Plug M8x1, 4-pin | 537027 | SDE1-D6-G2-W18-L-P2-M8 |
| | 0 ... 10 | PNP | – | Plug M12x1, 3-pin | Illuminated LCD | 534063 | SDE1-D10-G2-W18-L-P1-M12 | | | |
| | | | | | | 0 ... 10 V | Plug M8x1, 4-pin | 530900 | SDE1-D10-G2-W18-L-PU-M8 | |
| | | | | | | | | 2x PNP | 4 ... 20 mA | Plug M12x1, 5-pin |
| | | PNP | 4 ... 20 mA | Plug M8x1, 4-pin | 537020 | SDE1-D10-G2-W18-L-PI-M8 | | | | |
| | | | | | Plug M12x1, 4-pin | 537021 | SDE1-D10-G2-W18-L-PI-M12 | | | |

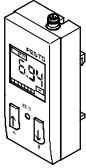
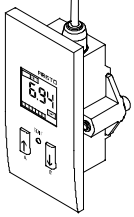
1) Back illuminated

2) Adapter plate SDE1-...-W... included in the scope of delivery.


 Note
Additional variants and accessories can be configured and ordered through the SDE1 modular system → 13.

Pressure sensors SDE1, with display

Technical data

| Ordering data – Measured variable: differential pressure and relative pressure | | | | | | | |
|--|--|------------------|-----------------|-----------------------|-------------------|----------|--------------------------|
| Version | Pressure measuring range [bar] | Switching output | Analogue output | Electrical connection | Display type | Part No. | Type |
|  | Push-in connector QS-4, for H-rail mounting | | | | | | |
| | 0 ... -1 | PNP | – | Plug M8x1, 3-pin | LCD ¹⁾ | 192036 | SDE1-V1-G2-HQ4-C-P1-M8 |
| | | | | | Illuminated LCD | 529976 | SDE1-V1-G2-HQ4-L-P1-M8 |
| | | 2x PNP | – | Plug M8x1, 4-pin | LCD ¹⁾ | 192037 | SDE1-V1-G2-HQ4-C-P2-M8 |
| | | | | | Illuminated LCD | 529977 | SDE1-V1-G2-HQ4-L-P2-M8 |
| | 0 ... 10 | PNP | – | Plug M8x1, 3-pin | LCD ¹⁾ | 192032 | SDE1-D10-G2-HQ4-C-P1-M8 |
| | | | | | Illuminated LCD | 529964 | SDE1-D10-G2-HQ4-L-P1-M8 |
| | | 2x PNP | – | Plug M8x1, 4-pin | LCD ¹⁾ | 192033 | SDE1-D10-G2-HQ4-C-P2-M8 |
| | | | | | Illuminated LCD | 529965 | SDE1-D10-G2-HQ4-L-P2-M8 |
| | | PNP | 0 ... 10 V | Plug M8x1, 4-pin | LCD ¹⁾ | 529956 | SDE1-D10-G2-HQ4-C-PU-M8 |
| | Push-in connector QS-4, for H-rail, wall or surface mounting | | | | | | |
| | 0 ... 2 | 2x PNP | – | Plug M8x1, 4-pin | LCD ¹⁾ | 535581 | SDE1-D2-G2-WQ4-C-P2-M8 |
|  | Push-in connector QS-4, for front panel mounting | | | | | | |
| | 0 ... 10 | PNP | – | Plug M8x1, 3-pin | Illuminated LCD | 537028 | SDE1-D10-G2-FQ4-L-P1-M8 |
| | | | | Plug M12x1, 3-pin | | 537030 | SDE1-D10-G2-FQ4-L-P1-M12 |
| | | 2x PNP | – | Plug M8x1, 4-pin | Illuminated LCD | 537029 | SDE1-D10-G2-FQ4-L-P2-M8 |
| | | | | Plug M12x1, 4-pin | | 537031 | SDE1-D10-G2-FQ4-L-P2-M12 |

1) Back illuminated

 - Note
 Additional variants and accessories can be configured and ordered through the SDE1 modular system
 → 13.

Pressure sensors SDE1, with display

Modular product system

| M Mandatory data | | | | | | | | O Options |
|-------------------------|----------|---------------------|-------------------|---|---------------------|--------------------------------|-----------------------|--------------------------|
| Module No. | Function | Pressure range | Absolute accuracy | Pneumatic connection and mounting | Display and setting | Electrical output | Electrical connection | Accessories: plug socket |
| 192766 | SDE1 | B2, V1, D2, D6, D10 | G2 | R18, R14, MS4, MS6, H18, W18, HQ4, WQ4, FQ4 | C, L | P1, P2, PU, PI, N1, N2, NU, NI | M8, M12 | G, W, G5, W5 |
| Ordering example | | | | | | | | |
| 192766 | SDE1 | - D6 | - G2 | - W18 | - L | - P2 | - M12 | - W5 |

| Ordering table | | | | |
|----------------|-----------------------------------|---|--------------|------------|
| | | Condi- tions | Code | Enter code |
| M | Module No. | 192766 | | 192766 |
| | Function | Pressure sensor | SDE1 | SDE1 |
| | Pressure range | Pressure range -1 ... 1 bar | -B2 | |
| | | Pressure range 0 ... -1 bar | -V1 | |
| | | Pressure range 0 ... 2 bar | -D2 | |
| | | Pressure range 0 ... 6 bar | -D6 | |
| | | Pressure range 0 ... 10 bar | -D10 | |
| | Absolute accuracy | Accuracy 2% | -G2 | -G2 |
| | Pneumatic connection and mounting | Mounting R $\frac{1}{8}$ (service units) | -R18 | |
| | | Mounting R $\frac{1}{4}$ (service units) | -R14 | |
| | | Direct connection on MS4 series service units | -MS4 | |
| | | Direct connection on MS6 series service units | -MS6 | |
| | | Relative pressure with G $\frac{1}{8}$ connection for H-rail mounting | -H18 | |
| | | Relative pressure with G $\frac{1}{8}$ connection for wall/surface mounting | -W18 | |
| | | H-rail mounting, 4 mm push-in connector | -HQ4 | |
| | | Wall mounting, 4 mm push-in connector | -WQ4 | |
| | | Front panel mounting, 4 mm push-in connector | -FQ4 | |
| | Display and setting | LCD display (optimised operation) | -C | |
| | | Illuminated LCD (optimised reading) | -L | |
| | Electrical output | 1 switch (PNP) | -P1 | |
| | | 2 switches (PNP) | -P2 | |
| | | 1 switch (PNP) and 0 ... 10 V analogue | -PU | |
| | | 1 switch (PNP) and 4 ... 20 mA analogue | -PI | |
| | | 1 switch (NPN) | -N1 | |
| | | 2 switches (NPN) | -N2 | |
| | | 1 switch (NPN) and 0 ... 10 V analogue | -NU | |
| | | 1 switch (NPN) and 4 ... 20 mA analogue | -NI | |
| | Electrical connection | Plug M8 | -M8 | |
| | | Plug M12 | -M12 | |
| O | Accessories | | - | - |
| | Electric accessories | Connecting cable, straight plug socket, 2.5 m | ¹ | G |
| | | Connecting cable, angled plug socket, 2.5 m | ¹ | W |
| | | Connecting cable, straight plug socket, 5 m | | G5 |
| | | Connecting cable, angled plug socket, 5 m | | W5 |



¹ G, W Not with electrical connection M12 in combination with electrical output P2, PU, PI, N2, NU, NI.



Transfer order code


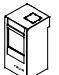
192766 SDE1 - [] - G2 - [] - [] - [] - [] - []


Pressure sensors SDE1, with display

Accessories

| Ordering data – Connecting cables | | | | Technical data → Internet: nebu | |
|---|-----------------|------------------|----------|---------------------------------|--|
| | Number of wires | Cable length [m] | Part No. | Type | |
| M8x1, straight socket | | | | | |
|  | 3 | 2.5 | 541333 | NEBU-M8G3-K-2.5-LE3 | |
| | | 5 | 541334 | NEBU-M8G3-K-5-LE3 | |
| | 4 | 2.5 | 541342 | NEBU-M8G4-K-2.5-LE4 | |
| | | 5 | 541343 | NEBU-M8G4-K-5-LE4 | |
| M8x1, angled socket | | | | | |
|  | 3 | 2.5 | 541338 | NEBU-M8W3-K-2.5-LE3 | |
| | | 5 | 541341 | NEBU-M8W3-K-5-LE3 | |
| | 4 | 2.5 | 541344 | NEBU-M8W4-K-2.5-LE4 | |
| | | 5 | 541345 | NEBU-M8W4-K-5-LE4 | |

| Ordering data – Connecting cables | | | | Technical data → Internet: nebu | |
|---|-----------------|------------------|----------|---------------------------------|--|
| | Number of wires | Cable length [m] | Part No. | Type | |
| M12x1, straight socket | | | | | |
|  | 3 | 2.5 | 541363 | NEBU-M12G5-K-2.5-LE3 | |
| | | 5 | 541364 | NEBU-M12G5-K-5-LE3 | |
| | 4 | 2.5 | 550326 | NEBU-M12G5-K-2.5-LE4 | |
| | | 5 | 541328 | NEBU-M12G5-K-5-LE4 | |
| | 5 | 2.5 | 541330 | NEBU-M12G5-K-2.5-LE5 | |
| | | 5 | 541331 | NEBU-M12G5-K-5-LE5 | |
| M12x1, angled socket | | | | | |
|  | 3 | 2.5 | 541367 | NEBU-M12W5-K-2.5-LE3 | |
| | | 5 | 541370 | NEBU-M12W5-K-5-LE3 | |
| | 4 | 2.5 | 550325 | NEBU-M12W5-K-2.5-LE4 | |
| | | 5 | 541329 | NEBU-M12W5-K-5-LE4 | |

| Ordering data – Accessories | | |
|---|----------|----------------|
| | Part No. | Type |
| Adapter plate | | |
|  | 194297 | SDE1-...-W-... |
| Protective cover | | |
|  | 537074 | SDE1-SH |

| Ordering data – Push-in fittings | | | Technical data → Internet: quick star | |
|---|----------------------|----------|---------------------------------------|--|
| | For tubing O.D. [mm] | Part No. | Type | |
|  | 4 | 186095 | QS-G $\frac{1}{8}$ -4 | |
| | 6 | 186096 | QS-G $\frac{1}{8}$ -6 | |
| | 8 | 186098 | QS-G $\frac{1}{8}$ -8 | |