

Cartridge fittings QSP, Quick Star





Cartridge fittings QSP, Quick Star

Technical data

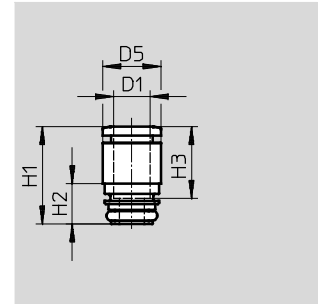
Cartridge fittings QSP10

Operating medium:
 – Compressed air in accordance with
 ISO 8573-1:2010 [7:--:-]

Material:
 – Housing: Nickel plated brass

-  - Ambient temperature
0 ... +60 °C
-  - Operating pressure
-0.95 ... +10 bar

Certification:
 Germanischer Lloyd





Dimensions and ordering data							
Tubing O.D.	D5	H1	H2	H3	Part No.	Type	PU ¹⁾
D1	∅						
4	9.8	16.2	6.7	11.6	172972	QSP10-4	10
6	9.8	16.2	6.7	11.9	172973	QSP10-6	10

1) Packaging unit quantity.

Cartridge fittings QSPKG10

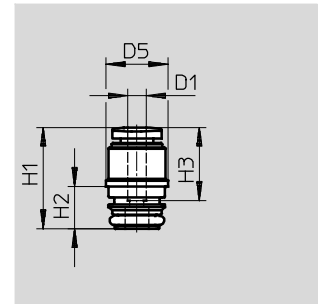
Operating medium:
 – Compressed air in accordance with
 ISO 8573-1:2010 [7:--:-]




Material:
 – Housing: Reinforced PA
 – Release ring: POM
 – Tubing seal: NBR
 – Tube retaining claw: High-alloy
 stainless steel

-  - Ambient temperature
-5 ... +60 °C
-  - Operating pressure
-0.95 ... +10 bar

Note on materials:
 Conforms to RoHS

Certification:
 Germanischer Lloyd



Dimensions and ordering data											
Tubing O.D.	Nominal size	D5	H1	H2	H3	CRC ¹⁾	Weight/piece	Part No.	Type	PU ²⁾	
D1	[mm]	∅					[g]				
3	1.6	9.75	16.1	6.7	11.6	1	1.5	132621	QSPKG10-3	 New	10
4	2.3	9.75	16.1	6.7	11.6	1	1.4	132622	QSPKG10-4	 New	10
6	3.7	10.55	18.1	6.7	11.9	1	1.8	132623	QSPKG10-6	 New	10

1) Corrosion resistance class 1 to Festo standard 940 070
 Components requiring low corrosion resistance. Transport and storage protection. Parts that do not have primarily decorative surface requirements, e.g. in internal areas that are not visible or behind covers.
 2) Packaging unit quantity.

Cartridge fittings QSP, Quick Star

Technical data


Cartridge fittings QSPLKG10


Operating medium:

- Compressed air in accordance with ISO 8573-1:2010 [7:--:-]

Material:

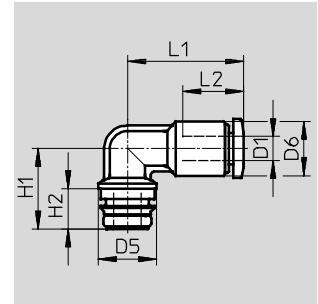
- Housing: Reinforced PA
- Release ring: POM
- Tubing seal: NBR
- Tube retaining claw: High-alloy stainless steel

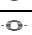


 - Ambient temperature
-5 ... +60 °C

 - Operating pressure
-0,95 ... +10 bar

Note on materials:
Conforms to RoHS

Certification:
Germanischer Lloyd



Dimensions and ordering data												
Tubing O.D.	Nominal size	D5	D6	H1	H2	L1	L2	CRC ¹⁾	Weight/piece	Part No.	Type	PU ²⁾
D1	[mm]	∅	∅						[g]			
3	1.8	9.75	9.4	13.4	6.7	18.2	11.6	1	2.1	132853	QSPLKG10-3	 New 10
4	2.3	9.75	9.4	13.4	6.7	18.2	11.6	1	2	132920	QSPLKG10-4	 New 10
6	3.3	9.75	10.55	14.4	6.7	19.8	11.9	1	2.7	132921	QSPLKG10-6	 New 10

- 1) Corrosion resistance class 1 to Festo standard 940 070
Components requiring low corrosion resistance. Transport and storage protection. Parts that do not have primarily decorative surface requirements, e.g. in internal areas that are not visible or behind covers.
- 2) Packaging unit quantity.


Cartridge fittings QSPLLKG10


Operating medium:

- Compressed air in accordance with ISO 8573-1:2010 [7:--:-]

Material:

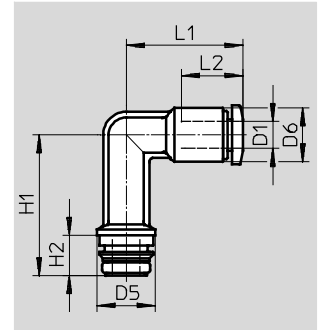
- Housing: Reinforced PA
- Release ring: POM
- Tubing seal: NBR
- Tube retaining claw: High-alloy stainless steel

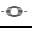


 - Ambient temperature
-5 ... +60 °C

 - Operating pressure
-0,95 ... +10 bar

Note on materials:
Conforms to RoHS

Certification:
Germanischer Lloyd



Dimensions and ordering data												
Tubing O.D.	Nominal size	D5	D6	H1	H2	L1	L2	CRC ¹⁾	Weight/piece	Part No.	Type	PU ²⁾
D1	[mm]	∅	∅						[g]			
3	1.8	9.75	9.4	23.4	6.7	18.2	11.6	1	2.5	132861	QSPLLKG10-3	 New 10
4	2.3	9.75	9.4	23.4	6.7	18.2	11.6	1	2.4	132925	QSPLLKG10-4	 New 10
6	3.3	9.75	10.55	26.4	6.7	19.8	11.9	1	3.2	132926	QSPLLKG10-6	 New 10

- 1) Corrosion resistance class 1 to Festo standard 940 070
Components requiring low corrosion resistance. Transport and storage protection. Parts that do not have primarily decorative surface requirements, e.g. in internal areas that are not visible or behind covers.
- 2) Packaging unit quantity.

Cartridge fittings QSP, Quick Star



Technical data

Cartridge fittings QSPK10

Operating medium:
 – Compressed air in accordance with ISO 8573-1:2010 [7:--:-]

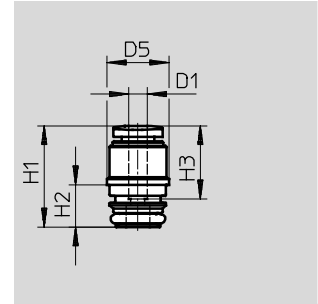
Material:




- Housing: Reinforced PA
- Release ring: POM
- Tubing seal: NBR
- Tube retaining claw: High-alloy stainless steel

-  - Ambient temperature
-5 ... +60 °C
-  - Operating pressure
-0.95 ... +10 bar

Note on materials:
 Conforms to RoHS

Certification:
 Germanischer Lloyd



Dimensions and ordering data											
Tubing O.D.	Nominal size	D5	H1	H2	H3	CRC ¹⁾	Weight/piece	Part No.	Type	PU ²⁾	
D1	[mm]	∅					[g]				
3	1.6	9.75	16.1	6.7	11.6	1	1.5	132978	QSPK10-3	 New 10	
4	2.3	9.75	16.1	6.7	11.6	1	1.4	132979	QSPK10-4	 New 10	
6	3.7	10.55	18.1	6.7	11.9	1	1.8	132980	QSPK10-6	 New 10	



1) Corrosion resistance class 1 to Festo standard 940 070
 Components requiring low corrosion resistance. Transport and storage protection. Parts that do not have primarily decorative surface requirements, e.g. in internal areas that are not visible or behind covers.
 2) Packaging unit quantity.

Cartridge fittings QSPLK10

Operating medium:
 – Compressed air in accordance with ISO 8573-1:2010 [7:--:-]

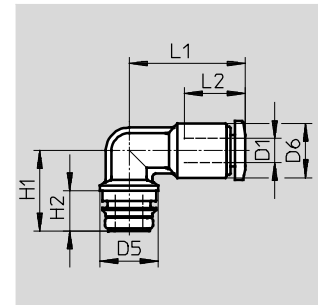
Material:

- Housing: Reinforced PA
- Release ring: POM
- Tubing seal: NBR
- Tube retaining claw: High-alloy stainless steel

-  - Ambient temperature
-5 ... +60 °C
-  - Operating pressure
-0.95 ... +10 bar

Note on materials:
 Conforms to RoHS

Certification:
 Germanischer Lloyd



Dimensions and ordering data												
Tubing O.D.	Nominal size	D5	D6	H1	H2	L1	L2	CRC ¹⁾	Weight/piece	Part No.	Type	PU ²⁾
D1	[mm]	∅	∅						[g]			
4	2.3	9.75	9,4	13.4	6.7	19.4	19.4	1	2.1	132601	QSPLK10-4	10
6	3.5	9.75	11	14.4	6.7	20.3	11.9	1	2.8	132602	QSPLK10-6	10

1) Corrosion resistance class 1 to Festo standard 940 070
 Components requiring low corrosion resistance. Transport and storage protection. Parts that do not have primarily decorative surface requirements, e.g. in internal areas that are not visible or behind covers.
 2) Packaging unit quantity.

Cartridge fittings QSP, Quick Star

Technical data



Cartridge fittings QSPLLK10

Operating medium:

- Compressed air in accordance with ISO 8573-1:2010 [7:-:-]

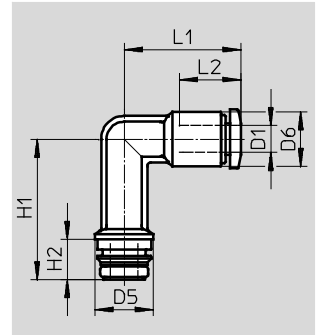
Material:

- Housing: Reinforced PA
- Release ring: POM
- Tubing seal: NBR
- Tube retaining claw: High-alloy stainless steel

-  - Ambient temperature
-5 ... +60 °C
-  - Operating pressure
-0.95 ... +10 bar

Note on materials:
Conforms to RoHS

Certification:
Germanischer Lloyd



Dimensions and ordering data												
Tubing O.D.	Nominal size	D5	D6	H1	H2	L1	L2	CRC ¹⁾	Weight/piece	Part No.	Type	PU ²⁾
D1	[mm]	∅	∅						[g]			
4	2.3	9.75	9,4	23.4	6.7	19.4	11.6	1	2.4	132603	QSPLLK10-4	10
6	3.5	9.75	11	26.4	6.7	20.3	11.9	1	3.3	132604	QSPLLK10-6	10

1) Corrosion resistance class 1 to Festo standard 940 070
Components requiring low corrosion resistance. Transport and storage protection. Parts that do not have primarily decorative surface requirements, e.g. in internal areas that are not visible or behind covers.

2) Packaging unit quantity.

Cartridge fittings QSP, Quick Star

Technical data



Cartridge fittings QSPKG14

Operating medium:

- Compressed air in accordance with ISO 8573-1:2010 [7:-:-]

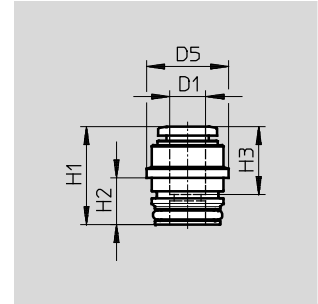
Material:

- Housing: Reinforced PA
- Release ring: POM
- Tubing seal: NBR
- Tube retaining claw: High-alloy stainless steel



-  - Ambient temperature
-5 ... +60 °C
-  - Operating pressure
-0.95 ... +10 bar

Note on materials:
Conforms to RoHS

Certification:
Germanischer Lloyd



Dimensions and ordering data

Tubing O.D.	Nominal size	D5	H1	H2	H3	CRC ¹⁾	Weight/piece	Part No.	Type	PU ²⁾	
D1	[mm]	∅					[g]				
6	3.5	13.7	16.5	7.75	11.9	1	2.4	132930	QSPKG14-6	 New	10
8	5.2	14.6	25.2	7.75	18.1	1	5.3	132931	QSPKG14-8	 New	10

1) Corrosion resistance class 1 to Festo standard 940 070

Components requiring low corrosion resistance. Transport and storage protection. Parts that do not have primarily decorative surface requirements, e.g. in internal areas that are not visible or behind covers.

2) Packaging unit quantity.



Cartridge fittings QSPLKG14

Operating medium:

- Compressed air in accordance with ISO 8573-1:2010 [7:-:-]

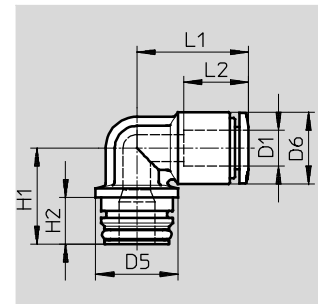
Material:

- Housing: Reinforced PA
- Release ring: POM
- Tubing seal: NBR
- Tube retaining claw: High-alloy stainless steel



-  - Ambient temperature
-5 ... +60 °C
-  - Operating pressure
-0.95 ... +10 bar

Note on materials:
Conforms to RoHS

Certification:
Germanischer Lloyd



Dimensions and ordering data

Tubing O.D.	Nominal size	D5	D6	H1	H2	L1	L2	CRC ¹⁾	Weight/piece	Part No.	Type	PU ²⁾	
D1	[mm]	∅	∅						[g]				
6	3.3	13.7	11.9	16	7.75	18.8	11.9	1	3.5	132938	QSPLKG14-6	 New	10
8	4.8	13.7	14.6	17.8	7.75	28.2	18.1	1	7.1	132939	QSPLKG14-8	 New	10

1) Corrosion resistance class 1 to Festo standard 940 070

Components requiring low corrosion resistance. Transport and storage protection. Parts that do not have primarily decorative surface requirements, e.g. in internal areas that are not visible or behind covers.

2) Packaging unit quantity.

Cartridge fittings QSP, Quick Star

Technical data



Cartridge fittings QSPLLKG14

Operating medium:

- Compressed air in accordance with ISO 8573-1:2010 [7:-:-]

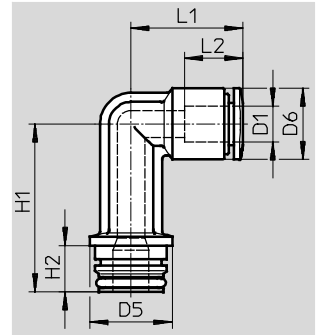
Material:



- Housing: Reinforced PA
- Release ring: POM
- Tubing seal: NBR
- Tube retaining claw: High-alloy stainless steel

-  - Ambient temperature
-5 ... +60 °C
-  - Operating pressure
-0.95 ... +10 bar

Note on materials:
Conforms to RoHS

Certification:
Germanischer Lloyd



Dimensions and ordering data													
Tubing O.D.	Nominal size	D5	D6	H1	H2	L1	L2	CRC ¹⁾	Weight/piece	Part No.	Type	PU ²⁾	
D1	[mm]	∅	∅						[g]				
6	3.4	13.7	11.9	28.0	7.75	18.8	11.9	1	4.0	132942	QSPLLKG14-6	 New	10
8	4.7	13.7	14.6	33.3	7.75	28.2	18.1	1	8.1	132943	QSPLLKG14-8	 New	10

1) Corrosion resistance class 1 to Festo standard 940 070
Components requiring low corrosion resistance. Transport and storage protection. Parts that do not have primarily decorative surface requirements, e.g. in internal areas that are not visible or behind covers.

2) Packaging unit quantity.

Cartridge fittings QSP, Quick Star

Technical data



Cartridge fittings QSPK18

Operating medium:

- Compressed air in accordance with ISO 8573-1:2010 [7:-:-]

Material:

- Housing: Reinforced PA
- Release ring: POM
- Tubing seal: NBR
- Tube retaining claw: High-alloy stainless steel

- - Ambient temperature
-5 ... +60 °C

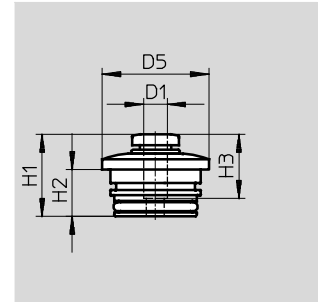
- - Operating pressure
-0.95 ... +10 bar

Note on materials:
Conforms to RoHS

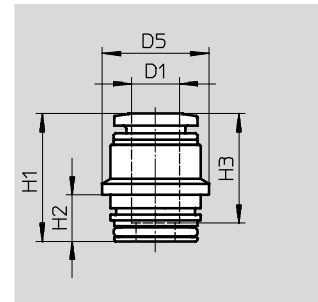
Certification:
Germanischer Lloyd



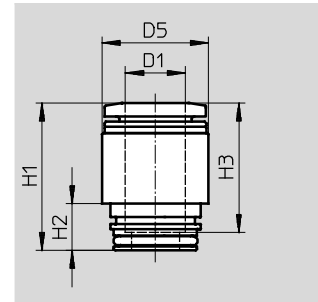
QSP18-4



QSP18-6 / QSP18-8



QSP18-10



Dimensions and ordering data										
Tubing O.D.	Nominal size	D5	H1	H2	H3	CRC ¹⁾	Weight/piece	Part No.	Type	PU ²⁾
D1	[mm]	∅					[g]			
4	2.3	17.7	13.6	7.75	11.6	1	2.8	130839	QSPK18-4	10
6	3.8	17.7	13.7	7.75	11.9	1	3	130840	QSPK18-6	10
8	5.5	17.7	20.7	7.75	18.2	1	5.4	130841	QSPK18-8	10
10	6.7	17.7	24.5	7.75	20.2	1	8.1	130842	QSPK18-10	10

1) Corrosion resistance class 1 to Festo standard 940 070
Components requiring low corrosion resistance. Transport and storage protection. Parts that do not have primarily decorative surface requirements, e.g. in internal areas that are not visible or behind covers.
2) Packaging unit quantity.

Cartridge fittings QSP, Quick Star



Technical data

Cartridge fittings QSPLK18

Operating medium:
 – Compressed air in accordance with ISO 8573-1:2010 [7:--:-]

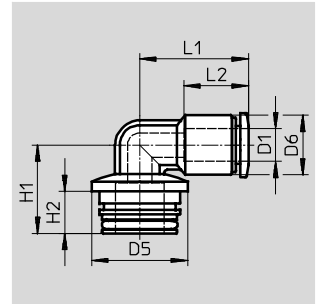
Material:


- Housing: Reinforced PA
- Release ring: POM
- Tubing seal: NBR
- Tube retaining claw: High-alloy stainless steel

-  - Ambient temperature
-5 ... +60 °C
-  - Operating pressure
-0.95 ... +10 bar

Note on materials:
 Conforms to RoHS

Certification:
 Germanischer Lloyd



Dimensions and ordering data												
Tubing O.D.	Nominal size	D5	D6	H1	H2	L1	L2	CRC ¹⁾	Weight/piece	Part No.	Type	PU ²⁾
D1	[mm]	∅	∅						[g]			
4	2.3	17.7	9	15.3	7.75	19.4	11.6	1	3.2	130843	QSPLK18-4	10
6	3.6	17.7	11	16.3	7.75	20.3	11.9	1	3.9	130844	QSPLK18-6	10
8	5.2	17.7	15	18.3	7.75	27.2	18.2	1	7.5	130845	QSPLK18-8	10
10	6.7	17.7	17.7	19.6	7.75	29.5	20.2	1	10.8	132639	QSPLK18-10 	10



1) Corrosion resistance class 1 to Festo standard 940 070
 Components requiring low corrosion resistance. Transport and storage protection. Parts that do not have primarily decorative surface requirements, e.g. in internal areas that are not visible or behind covers.
 2) Packaging unit quantity.

Cartridge fittings QSPLLK18

Operating medium:
 – Compressed air in accordance with ISO 8573-1:2010 [7:--:-]

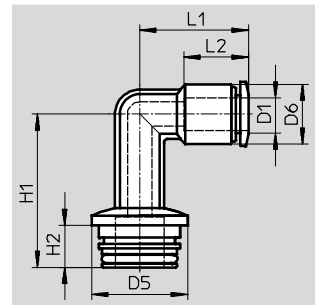
Material:


- Housing: Reinforced PA
- Release ring: POM
- Tubing seal: NBR
- Tube retaining claw: High-alloy stainless steel

-  - Ambient temperature
-5 ... +60 °C
-  - Operating pressure
-0.95 ... +10 bar

Note on materials:
 Conforms to RoHS

Certification:
 Germanischer Lloyd



Dimensions and ordering data												
Tubing O.D.	Nominal size	D5	D6	H1	H2	L1	L2	CRC ¹⁾	Weight/piece	Part No.	Type	PU ²⁾
D1	[mm]	∅	∅						[g]			
4	2.3	17.7	9	25.3	7.75	19.4	11.6	1	3.5	130846	QSPLLK18-4	10
6	3.6	17.7	11	38.3	7.75	20.3	11.9	1	4.3	130847	QSPLLK18-6	10
8	5.2	17.7	15	34.3	7.75	27.2	18.2	1	8.1	130848	QSPLLK18-8	10
10	6.4	17.7	17.7	38.3	7.75	29.5	20.2	1	12	132640	QSPLLK18-10 	10

1) Corrosion resistance class 1 to Festo standard 940 070
 Components requiring low corrosion resistance. Transport and storage protection. Parts that do not have primarily decorative surface requirements, e.g. in internal areas that are not visible or behind covers.
 2) Packaging unit quantity.

Cartridge fittings QSP, Quick Star

Technical data



Cartridge fittings QSPKG18

Operating medium:

- Compressed air in accordance with ISO 8573-1:2010 [7:-:-]

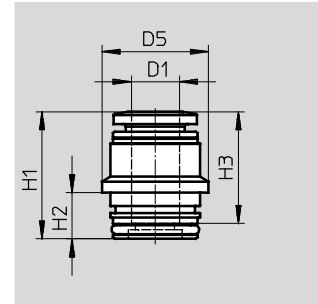
Material:

- Housing: Reinforced PA
- Release ring: POM
- Tubing seal: NBR
- Tube retaining claw: High-alloy stainless steel

-  - Ambient temperature
-5 ... +60 °C
-  - Operating pressure
-0.95 ... +10 bar

Note on materials:
Conforms to RoHS

Certification:
Germanischer Lloyd



Dimensions and ordering data

Tubing O.D.	Nominal size	D5	H1	H2	H3	CRC ¹⁾	Weight/piece	Part No.	Type	PU ²⁾
D1	[mm]	∅					[g]			
8	5.5	17.7	20.7	7.75	18.2	1	5.4	132649	QSPKG18-8	10
10	6.7	17.7	24.5	7.75	20.2	1	8.1	132650	QSPKG18-10	10

- 1) Corrosion resistance class 1 to Festo standard 940 070
Components requiring low corrosion resistance. Transport and storage protection. Parts that do not have primarily decorative surface requirements, e.g. in internal areas that are not visible or behind covers.
- 2) Packaging unit quantity.



Cartridge fittings QSPLKG18

Operating medium:

- Compressed air in accordance with ISO 8573-1:2010 [7:-:-]

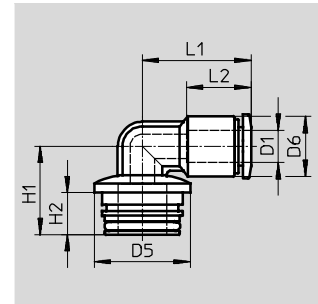
Material:

- Housing: Reinforced PA
- Release ring: POM
- Tubing seal: NBR
- Tube retaining claw: High-alloy stainless steel

-  - Ambient temperature
-5 ... +60 °C
-  - Operating pressure
-0.95 ... +10 bar

Note on materials:
Conforms to RoHS

Certification:
Germanischer Lloyd



Dimensions and ordering data

Tubing O.D.	Nominal size	D5	D6	H1	H2	L1	L2	CRC ¹⁾	Weight/piece	Part No.	Type	PU ²⁾
D1	[mm]	∅	∅						[g]			
8	5.2	17.7	15	18.3	7.75	27.2	18.2	1	7.5	132946	QSPLKG18-8	10
10	6.7	17.7	17.7	19.6	7.75	29.5	20.2	1	10.8	132947	QSPLKG18-10	10

- 1) Corrosion resistance class 1 to Festo standard 940 070
Components requiring low corrosion resistance. Transport and storage protection. Parts that do not have primarily decorative surface requirements, e.g. in internal areas that are not visible or behind covers.
- 2) Packaging unit quantity.

Cartridge fittings QSP, Quick Star

Technical data



Cartridge fittings QSPLLKG18

Operating medium:

- Compressed air in accordance with ISO 8573-1:2010 [7:-:-]

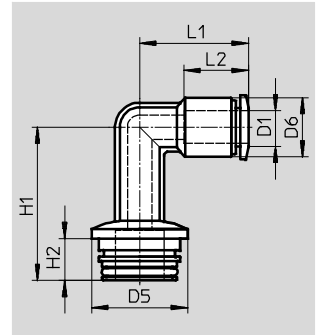
Material:

- Housing: Reinforced PA
- Release ring: POM
- Tubing seal: NBR
- Tube retaining claw: High-alloy stainless steel

-  - Ambient temperature
-5 ... +60 °C
-  - Operating pressure
-0.95 ... +10 bar

Note on materials:
Conforms to RoHS

Certification:
Germanischer Lloyd



Dimensions and ordering data												
Tubing O.D.	Nominal size	D5	D6	H1	H2	L1	L2	CRC ¹⁾	Weight/piece	Part No.	Type	PU ²⁾
D1	[mm]	∅	∅						[g]			
8	5.2	17.7	15	18.3	7.75	27.2	18.2	1	8.1	132950	QSPLLKG18-8	10
10	6.4	17.7	17.7	19.6	7.75	29.5	20.2	1	12	132951	QSPLLKG18-10	10

1) Corrosion resistance class 1 to Festo standard 940 070
Components requiring low corrosion resistance. Transport and storage protection. Parts that do not have primarily decorative surface requirements, e.g. in internal areas that are not visible or behind covers.

2) Packaging unit quantity.

Cartridge fittings QSP, Quick Star

Technical data



Cartridge fittings QSPKG20

Operating medium:

- Compressed air in accordance with ISO 8573-1:2010 [7:-:-]

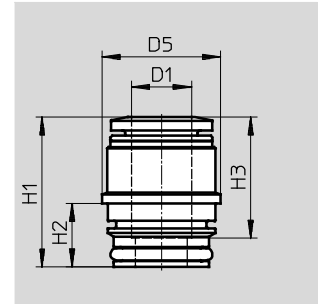
Material:

- Housing: Reinforced PA
- Release ring: POM
- Tubing seal: NBR
- Tube retaining claw: High-alloy stainless steel

-  - Ambient temperature
-5 ... +60 °C
-  - Operating pressure
-0.95 ... +10 bar

Note on materials:
Conforms to RoHS

Certification:
Germanischer Lloyd



Dimensions and ordering data										
Tubing O.D.	Nominal size	D5	H1	H2	H3	CRC ¹⁾	Weight/piece	Part No.	Type	PU ²⁾
D1	[mm]	∅					[g]			
8	5.4	19.75	19.1	10.6	18.1	1	6	132633	QSPKG20-8	10
10	6.4	19.75	25	10.6	20.2	1	9	132634	QSPKG20-10	10
12	8.3	21.1	32.7	10.6	23.4	1	13	132635	QSPKG20-12	10

- 1) Corrosion resistance class 1 to Festo standard 940 070
Components requiring low corrosion resistance. Transport and storage protection. Parts that do not have primarily decorative surface requirements, e.g. in internal areas that are not visible or behind covers.
- 2) Packaging unit quantity.



Cartridge fittings QSPLKG20

Operating medium:

- Compressed air in accordance with ISO 8573-1:2010 [7:-:-]

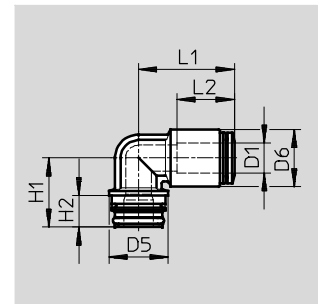
Material:


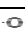

- Housing: Reinforced PA
- Release ring: POM
- Tubing seal: NBR
- Tube retaining claw: High-alloy stainless steel

-  - Ambient temperature
-5 ... +60 °C
-  - Operating pressure
-0.95 ... +10 bar

Note on materials:
Conforms to RoHS

Certification:
Germanischer Lloyd



Dimensions and ordering data												
Tubing O.D.	Nominal size	D5	D6	H1	H2	L1	L2	CRC ¹⁾	Weight/piece	Part No.	Type	PU ²⁾
D1	[mm]	∅	∅						[g]			
8	4.8	19.75	16.0	21.5	10.6	29.7	18.1	1	10	132855	QSPLKG20-8  New	10
10	6.1	19.75	19.0	23.0	10.6	32.0	20.2	1	14	132856	QSPLKG20-10  New	10
12	7.7	19.75	21.1	24.0	10.6	36.2	23.4	1	17	132857	QSPLKG20-12  New	10

- 1) Corrosion resistance class 1 to Festo standard 940 070
Components requiring low corrosion resistance. Transport and storage protection. Parts that do not have primarily decorative surface requirements, e.g. in internal areas that are not visible or behind covers.
- 2) Packaging unit quantity.

Cartridge fittings QSP, Quick Star

Technical data



Cartridge fittings QSPLLKG20

Operating medium:

- Compressed air in accordance with ISO 8573-1:2010 [7:-:-]

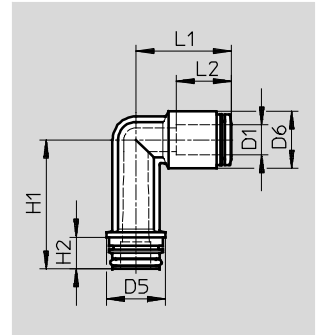
Material:

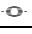
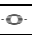
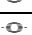
- Housing: Reinforced PA
- Release ring: POM
- Tubing seal: NBR
- Tube retaining claw: High-alloy stainless steel

-  - Ambient temperature
-5 ... +60 °C
-  - Operating pressure
-0.95 ... +10 bar

Note on materials:
Conforms to RoHS

Certification:
Germanischer Lloyd



Dimensions and ordering data													
Tubing O.D.	Nominal size	D5	D6	H1	H2	L1	L2	CRC ¹⁾	Weight/piece	Part No.	Type	PU ²⁾	
D1	[mm]	∅	∅						[g]				
8	4.8	19.75	16.0	38.5	10.6	29.7	18.1	1	11	132863	QSPLLKG20-8	 New	10
10	6	19.75	19.0	43.0	10.6	32.0	20.2	1	15	132864	QSPLLKG20-10	 New	10
12	7.3	19.75	21.1	45.9	10.6	36.2	23.4	1	20	132865	QSPLLKG20-12	 New	10

1) Corrosion resistance class 1 to Festo standard 940 070
Components requiring low corrosion resistance. Transport and storage protection. Parts that do not have primarily decorative surface requirements, e.g. in internal areas that are not visible or behind covers.

2) Packaging unit quantity.

Cartridge fittings QSP, Quick Star

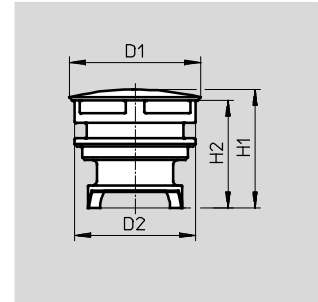
Technical data



Blanking plug QSPC10

Material: POM

Note on materials:
Free of copper and PTFE
Conforms to RoHS



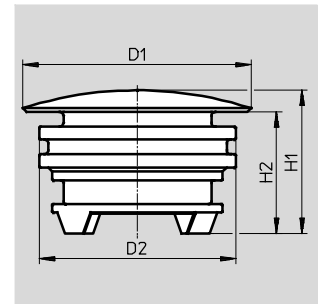
Dimensions and ordering data						
D1 Ø	D2	H1	H2	Part No.	Type	PU ¹⁾
9.8	9	8.8	8.0	562243	QSPC10	10

1) Packaging unit quantity.

Blanking plug QSPC18

Material: PA-GF

Note on materials:
Free of copper and PTFE
Conforms to RoHS



Dimensions and ordering data							
D1 Ø	D2	H1	H2	CRC ¹⁾	Part No.	Type	PU ²⁾
17.9	15	11.2	9.5	2	537533	QSPC18	10

1) Corrosion resistance class 2 to Festo standard 940 070
Components subject to moderate corrosion stress. Externally visible parts with primarily decorative surface requirements which are in direct contact with a normal industrial environment or media such as coolants or lubricating agents.

2) Packaging unit quantity.