

Cartridge fittings QSP, Quick Star, NPT



Cartridge fittings QSP, Quick Star, NPT

Technical data



Cartridge fittings QSPKG10

Operating medium:

- Compressed air in accordance with ISO 8573-1:2010 [7:--:-]

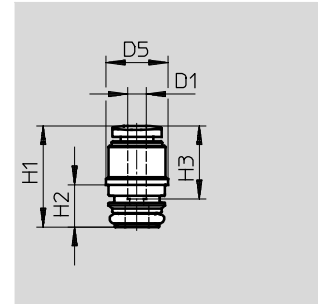
Material:





- Housing: PA-GF
- Release ring: POM
- Tubing seal: NBR
- Tube retaining claw: High-alloy stainless steel

-  - Ambient temperature
-5 ... +60 °C
-  - Operating pressure
-0.95 ... +10 bar

Note on materials:
Conforms to RoHS

Certification:
Germanischer Lloyd



Dimensions and ordering data										
Tubing O.D.	Nominal size	D5	H1	H2	H3	CRC ¹⁾	Weight/piece	Part No.	Type	PU ²⁾
D1	[mm]	∅					[g]			
1/8	1.6	9.75	16.1	6.7	11.6	1	1.5	132852	QSPKG10-1/8-U	 New 1
5/32	2.3	9.75	16.1	6.7	11.6	1	1.4	132624	QSPKG10-5/32-U	 New 1
3/16	2.7	10.55	18.2	6.7	12	1	2.0	132625	QSPKG10-3/16-U	 New 1
1/4	3.6	10.55	18.3	6.7	11.7	1	1.8	132626	QSPKG10-1/4-U	 New 1

- 1) Corrosion resistance class 1 to Festo standard 940 070
Components requiring low corrosion resistance. Transport and storage protection. Parts that do not have primarily decorative surface requirements, e.g. in internal areas that are not visible or behind covers.
- 2) Packaging unit quantity.



Cartridge fittings QSPLKG10

Operating medium:

- Compressed air in accordance with ISO 8573-1:2010 [7:--:-]

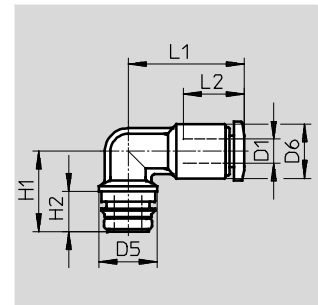
Material:

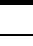
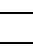
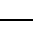
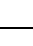
- Housing: PA-GF
- Release ring: POM
- Tubing seal: NBR
- Tube retaining claw: High-alloy stainless steel

-  - Ambient temperature
-5 ... +60 °C
-  - Operating pressure
-0.95 ... +10 bar

Note on materials:
Conforms to RoHS

Certification:
Germanischer Lloyd



Dimensions and ordering data												
Tubing O.D.	Nominal size	D5	D6	H1	H2	L1	L2	CRC ¹⁾	Weight/piece	Part No.	Type	PU ²⁾
D1	[mm]	∅	∅						[g]			
1/8	1.8	9.75	9.4	13.7	6.7	18.2	11.6	1	2.1	132854	QSPLKG10-1/8-U	 New 1
5/32	2.3	9.75	9.4	13.7	6.7	18.2	11.6	1	2	132922	QSPLKG10-5/32-U	 New 1
3/16	2.6	9.75	10.55	14.4	6.7	19.9	12.0	1	2.9	132923	QSPLKG10-3/16-U	 New 1
1/4	3.3	9.75	10.55	14.4	6.7	20.0	11.7	1	2.6	132924	QSPLKG10-1/4-U	 New 1

- 1) Corrosion resistance class 1 to Festo standard 940 070
Components requiring low corrosion resistance. Transport and storage protection. Parts that do not have primarily decorative surface requirements, e.g. in internal areas that are not visible or behind covers.
- 2) Packaging unit quantity.

Cartridge fittings QSP, Quick Star, NPT

Technical data



Cartridge fittings QSPLLKG10

Operating medium:

- Compressed air in accordance with ISO 8573-1:2010 [7:-:-]

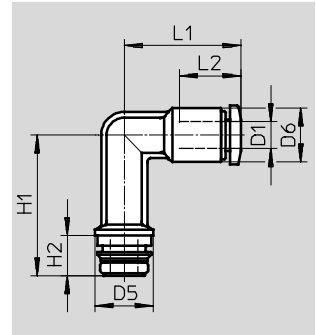
Material:

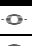
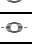
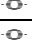

- Housing: PA-GF
- Release ring: POM
- Tubing seal: NBR
- Tube retaining claw: High-alloy stainless steel

-  Ambient temperature
-5 ... +60 °C
-  Operating pressure
-0.95 ... +10 bar

Note on materials:
Conforms to RoHS

Certification:
Germanischer Lloyd



Dimensions and ordering data													
Tubing O.D.	Nominal size	D5	D6	H1	H2	L1	L2	CRC ¹⁾	Weight/piece	Part No.	Type	PU ²⁾	
D1	[mm]	∅	∅						[g]				
1/8	1.8	9.75	9.4	23.4	6.7	18.2	11.6	1	2.5	132862	QSPLLKG10-1/8-U	 New	1
5/32	2.3	9.75	9.4	23.4	6.7	18.2	11.6	1	2.4	132927	QSPLLKG10-5/32-U	 New	1
3/16	2.6	9.75	10.55	26.4	6.7	19.9	12.0	1	3.5	132928	QSPLLKG10-3/16-U	 New	1
1/4	3.3	9.75	10.55	26.4	6.7	20.0	11.7	1	3.2	132929	QSPLLKG10-1/4-U	 New	1

1) Corrosion resistance class 1 to Festo standard 940 070
Components requiring low corrosion resistance. Transport and storage protection. Parts that do not have primarily decorative surface requirements, e.g. in internal areas that are not visible or behind covers.

2) Packaging unit quantity.

Cartridge fittings QSP, Quick Star, NPT

Technical data



Cartridge fittings QSPKG14

Operating medium:

- Compressed air in accordance with ISO 8573-1:2010 [7:-:-]

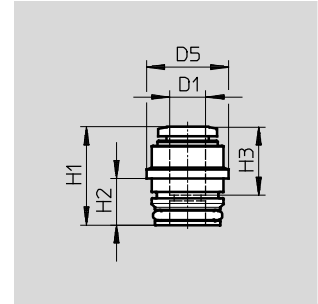
Material:

- Housing: Reinforced PA
- Release ring: POM
- Tubing seal: NBR
- Tube retaining claw: High-alloy stainless steel



-  - Ambient temperature
-5 ... +60 °C
-  - Operating pressure
-0.95 ... +10 bar

Note on materials:
Conforms to RoHS

Certification:
Germanischer Lloyd



Dimensions and ordering data

Tubing O.D.	Nominal size	D5	H1	H2	H3	CRC ¹⁾	Weight/piece	Part No.	Type	PU ²⁾	
D1	[mm]	∅					[g]				
1/4	3.9	13.7	16.7	7.75	11.7	1	2.3	132932	QSPKG14-1/4-U	 New	10
5/16	5.2	14.6	25.2	7.75	18.1	1	5.3	132933	QSPKG14-5/16-U	 New	10

1) Corrosion resistance class 1 to Festo standard 940 070

Components requiring low corrosion resistance. Transport and storage protection. Parts that do not have primarily decorative surface requirements, e.g. in internal areas that are not visible or behind covers.

2) Packaging unit quantity.



Cartridge fittings QSPLKG14

Operating medium:

- Compressed air in accordance with ISO 8573-1:2010 [7:-:-]

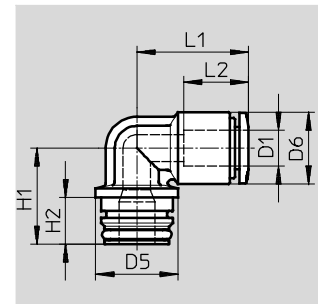
Material:

- Housing: Reinforced PA
- Release ring: POM
- Tubing seal: NBR
- Tube retaining claw: High-alloy stainless steel



-  - Ambient temperature
-5 ... +60 °C
-  - Operating pressure
-0.95 ... +10 bar

Note on materials:
Conforms to RoHS

Certification:
Germanischer Lloyd



Dimensions and ordering data

Tubing O.D.	Nominal size	D5	D6	H1	H2	L1	L2	CRC ¹⁾	Weight/piece	Part No.	Type	PU ²⁾	
D1	[mm]	∅	∅						[g]				
1/4	3.5	13.7	11.9	16.0	7.75	19.0	11.7	1	3.4	132940	QSPLKG14-1/4-U	 New	10
5/16	4.8	13.7	14.6	17.8	7.75	28.2	18.1	1	7.1	132941	QSPLKG14-5/16-U	 New	10

1) Corrosion resistance class 1 to Festo standard 940 070

Components requiring low corrosion resistance. Transport and storage protection. Parts that do not have primarily decorative surface requirements, e.g. in internal areas that are not visible or behind covers.

2) Packaging unit quantity.

Cartridge fittings QSP, Quick Star, NPT

Technical data


Cartridge fittings QSPLLKG14


Operating medium:

- Compressed air in accordance with ISO 8573-1:2010 [7:-:-]

Material:

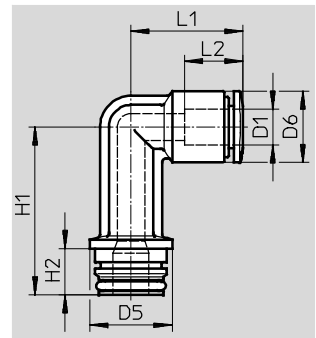
- Housing: Reinforced PA
- Release ring: POM
- Tubing seal: NBR
- Tube retaining claw: High-alloy stainless steel



 - Ambient temperature
-5 ... +60 °C

 - Operating pressure
-0.95 ... +10 bar

Note on materials:
Conforms to RoHS

Certification:
Germanischer Lloyd



Dimensions and ordering data												
Tubing O.D.	Nominal size	D5	D6	H1	H2	L1	L2	CRC ¹⁾	Weight/piece	Part No.	Type	PU ²⁾
D1	[mm]	∅	∅						[g]			
1/4	3.4	13.7	11.9	28.0	7.75	19.0	11.7	1	3.9	132944	QSPLLKG14-1/4-U	 New 10
5/16	4.7	13.7	14.6	33.3	7.75	28.2	18.1	1	8.1	132945	QSPLLKG14-5/16-U	 New 10

1) Corrosion resistance class 1 to Festo standard 940 070
Components requiring low corrosion resistance. Transport and storage protection. Parts that do not have primarily decorative surface requirements, e.g. in internal areas that are not visible or behind covers.

2) Packaging unit quantity.

Cartridge fittings QSP, Quick Star, NPT

Technical data



Cartridge fittings QSPLK18

Operating medium:

- Compressed air in accordance with ISO 8573-1:2010 [7:--:-]

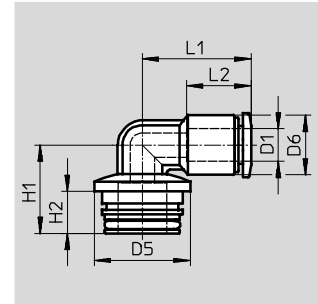
Material:

- Housing: PA-GF
- Release ring: POM
- Tubing seal: NBR
- Tube retaining claw: High-alloy stainless steel


-  - Ambient temperature
-5 ... +60 °C
-  - Operating pressure
-0.95 ... +10 bar

Note on materials:
Conforms to RoHS

Certification:
Germanischer Lloyd



Dimensions and ordering data

Tube O.D.	Nominal size	D5	D6	H1	H2	L1	L2	CRC ¹⁾	Weight/piece	Part No.	Type	PU ²⁾
D1	[mm]	∅	∅						[g]			
3/8	6.5	17.7	17.7	19.6	7.75	29.5	20.2	1	10.9	132641	QSPLK18-3/8-U 	10

- 1) Corrosion resistance class 1 to Festo standard 940 070
Components requiring low corrosion resistance. Transport and storage protection. Parts that do not have primarily decorative surface requirements, e.g. in internal areas that are not visible or behind covers.
- 2) Packaging unit quantity.



Cartridge fittings QSPLLK18

Operating medium:

- Compressed air in accordance with ISO 8573-1:2010 [7:--:-]

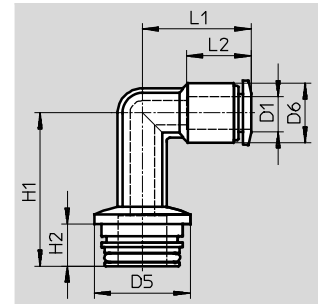
Material:

- Housing: PA-GF
- Release ring: POM
- Tubing seal: NBR
- Tube retaining claw: High-alloy stainless steel


-  - Ambient temperature
-5 ... +60 °C
-  - Operating pressure
-0.95 ... +10 bar

Note on materials:
Conforms to RoHS

Certification:
Germanischer Lloyd



Dimensions and ordering data

Tube O.D.	Nominal size	D5	D6	H1	H2	L1	L2	CRC ¹⁾	Weight/piece	Part No.	Type	PU ²⁾
D1	[mm]	∅	∅						[g]			
3/8	6.2	17.7	17.7	38.3	7.75	29.5	20.2	1	12.2	132642	QSPLLK18-3/8-U 	10

- 1) Corrosion resistance class 1 to Festo standard 940 070
Components requiring low corrosion resistance. Transport and storage protection. Parts that do not have primarily decorative surface requirements, e.g. in internal areas that are not visible or behind covers.
- 2) Packaging unit quantity.

Cartridge fittings QSP, Quick Star, NPT

Technical data



Cartridge fittings QSPKG18

Operating medium:

- Compressed air in accordance with ISO 8573-1:2010 [7:--:-]

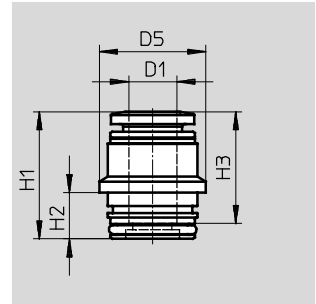
Material:

- Housing: Reinforced PA
- Release ring: POM
- Tubing seal: NBR
- Tube retaining claw: High-alloy stainless steel

-  - Ambient temperature
-10 ... +60 °C
-  - Operating pressure
-0.95 ... +10 bar

Note on materials:
Conforms to RoHS

Certification:
Germanischer Lloyd



Dimensions and ordering data										
Tubing O.D.	Nominal size	D5 ∅	H1	H2	H3	CRC ¹⁾	Weight/piece [g]	Part No.	Type	PU ²⁾
D1	[mm]									
5/16	5.5	17.7	20.7	7.75	18.2	1	5.4	132651	QSPKG18-5/16-U	1
3/8	6.7	17.7	24.5	7.75	20.2	1	8.1	132652	QSPKG18-3/8-U	1

- 1) Corrosion resistance class 1 to Festo standard 940 070
Components requiring low corrosion resistance. Transport and storage protection. Parts that do not have primarily decorative surface requirements, e.g. in internal areas that are not visible or behind covers.
- 2) Packaging unit quantity.



Cartridge fittings QSPLKG18

Operating medium:

- Compressed air in accordance with ISO 8573-1:2010 [7:--:-]

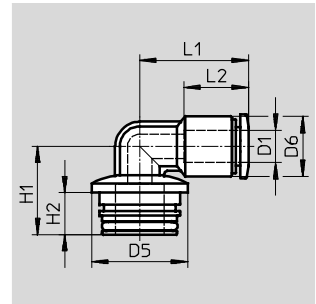
Material:

- Housing: Reinforced PA
- Release ring: POM
- Tubing seal: NBR
- Tube retaining claw: High-alloy stainless steel

-  - Ambient temperature
-10 ... +60 °C
-  - Operating pressure
-0.95 ... +10 bar

Note on materials:
Conforms to RoHS

Certification:
Germanischer Lloyd



Dimensions and ordering data												
Tubing O.D.	Nominal size	D5 ∅	D6 ∅	H1	H2	L1	L2	CRC ¹⁾	Weight/piece [g]	Part No.	Type	PU ²⁾
D1	[mm]											
5/16	5.2	17.7	15	18.3	7.5	27.2	18.2	1	7.5	132948	QSPLKG18-5/16-U	1
3/8	6.5	17.7	17.7	19.6	7.5	29.5	20.2	1	10.9	132949	QSPLKG18-3/8-U	1

- 1) Corrosion resistance class 1 to Festo standard 940 070
Components requiring low corrosion resistance. Transport and storage protection. Parts that do not have primarily decorative surface requirements, e.g. in internal areas that are not visible or behind covers.
- 2) Packaging unit quantity.

Cartridge fittings QSP, Quick Star, NPT

Technical data



Cartridge fittings QSPLLKG18

Operating medium:

- Compressed air in accordance with ISO 8573-1:2010 [7:-:-]

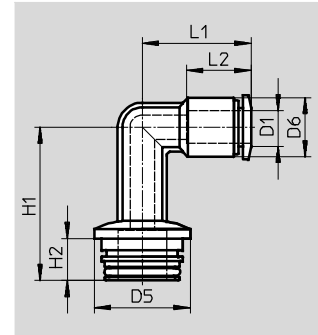
Material:

- Housing: Reinforced PA
- Release ring: POM
- Tubing seal: NBR
- Tube retaining claw: High-alloy stainless steel

-  - Ambient temperature
-10 ... +60 °C
-  - Operating pressure
-0.95 ... +10 bar

Note on materials:
Conforms to RoHS

Certification:
Germanischer Lloyd



Dimensions and ordering data												
Tubing O.D.	Nominal size	D5	D6	H1	H2	L1	L2	CRC ¹⁾	Weight/piece	Part No.	Type	PU ²⁾
D1	[mm]	∅	∅						[g]			
5/16	5.2	17.7	15	34.3	7.75	27.2	18.2	1	8.1	132952	QSPLLKG18-5/16-U	1
3/8	6.2	17.7	17.7	38.3	7.75	29.2	20.2	1	12.2	132953	QSPLLKG18-3/8-U	1

1) Corrosion resistance class 1 to Festo standard 940 070
Components requiring low corrosion resistance. Transport and storage protection. Parts that do not have primarily decorative surface requirements, e.g. in internal areas that are not visible or behind covers.
2) Packaging unit quantity.

Cartridge fittings QSP, Quick Star, NPT

Technical data



Cartridge fittings QSPKG20

Operating medium:

- Compressed air in accordance with ISO 8573-1:2010 [7:-:-]

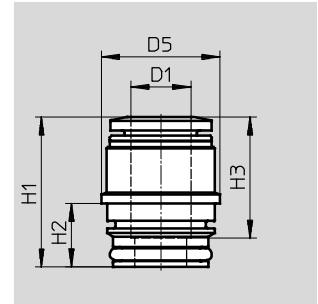
Material:

- Housing: Reinforced PA
- Release ring: POM
- Tubing seal: NBR
- Tube retaining claw: High-alloy stainless steel

-  - Ambient temperature
-5 ... +60 °C
-  - Operating pressure
-0.95 ... +10 bar

Note on materials:
Conforms to RoHS

Certification:
Germanischer Lloyd



Dimensions and ordering data										
Tubing O.D.	Nominal size	D5	H1	H2	H3	CRC ¹⁾	Weight/piece	Part No.	Type	PU ²⁾
D1	[mm]	∅					[g]			
5/16	5.4	19.75	19.1	10.6	18.2	1	6	132636	QSPKG20-5/16-U	1
3/8	6.4	19.75	25	10.6	20.2	1	9.2	132637	QSPKG20-3/8-U	1
1/2	8.5	21.1	33	10.6	23.7	1	13	132638	QSPKG20-1/2-U	1

- 1) Corrosion resistance class 1 to Festo standard 940 070
Components requiring low corrosion resistance. Transport and storage protection. Parts that do not have primarily decorative surface requirements, e.g. in internal areas that are not visible or behind covers.
- 2) Packaging unit quantity.



Cartridge fittings QSPLKG20

Operating medium:

- Compressed air in accordance with ISO 8573-1:2010 [7:-:-]

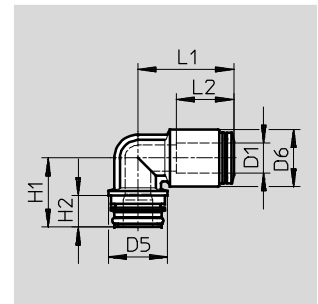
Material:




- Housing: Reinforced PA
- Release ring: POM
- Tubing seal: NBR
- Tube retaining claw: High-alloy stainless steel

-  - Ambient temperature
-5 ... +60 °C
-  - Operating pressure
-0.95 ... +10 bar

Note on materials:
Conforms to RoHS

Certification:
Germanischer Lloyd



Dimensions and ordering data												
Tubing O.D.	Nominal size	D5	D6	H1	H2	L1	L2	CRC ¹⁾	Weight/piece	Part No.	Type	PU ²⁾
D1	[mm]	∅	∅						[g]			
5/16	4.8	19.75	16.0	21.5	10.6	29.7	18.1	1	10	132858	QSPLKG20-5/16-U	 New 1
3/8	5.7	19.75	19.0	23.0	10.6	32.0	20.2	1	14	132859	QSPLKG20-3/8-U	 New 1
1/2	7.8	19.75	21.1	24.0	10.6	36.5	23.7	1	17	132860	QSPLKG20-1/2-U	 New 1

- 1) Corrosion resistance class 1 to Festo standard 940 070
Components requiring low corrosion resistance. Transport and storage protection. Parts that do not have primarily decorative surface requirements, e.g. in internal areas that are not visible or behind covers.
- 2) Packaging unit quantity.

Cartridge fittings QSP, Quick Star, NPT

Technical data



Cartridge fittings QSPLLKG20

Operating medium:

- Compressed air in accordance with ISO 8573-1:2010 [7:-:-]

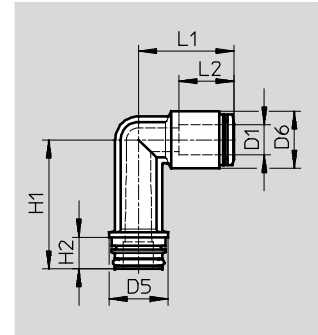
Material:




- Housing: Reinforced PA
- Release ring: POM
- Tubing seal: NBR
- Tube retaining claw: High-alloy stainless steel

-  - Ambient temperature
-5 ... +60 °C
-  - Operating pressure
-0.95 ... +10 bar

Note on materials:
Conforms to RoHS

Certification:
Germanischer Lloyd



Dimensions and ordering data												
Tube O.D.	Nominal size	D5	D6	H1	H2	L1	L2	CRC ¹⁾	Weight/piece	Part No.	Type	PU ²⁾
D1	[mm]	∅	∅						[g]			
5/16	4.8	19.75	16.0	38.5	10.6	29.7	18.1	1	11	132866	QSPLLKG20-5/16-U	 New 1
3/8	5.7	19.75	19.0	43.0	10.6	32.0	20.2	1	15	132867	QSPLLKG20-3/8-U	 New 1
1/2	7.3	19.75	21.1	45.9	10.6	36.5	23.7	1	19	132868	QSPLLKG20-1/2-U	 New 1

1) Corrosion resistance class 1 to Festo standard 940 070
Components requiring low corrosion resistance. Transport and storage protection. Parts that do not have primarily decorative surface requirements, e.g. in internal areas that are not visible or behind covers.

2) Packaging unit quantity.