

Push-in fittings QBM, Quick Basic, mini, NPT



Push-in fittings QBM, Quick Basic, mini, NPT

Technical data

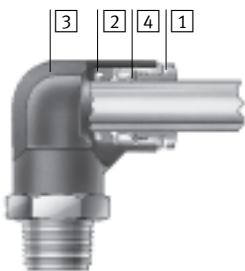
General technical data		
Connecting thread	UNF	NPT
Size	Mini	
Design	Push-pull principle	
Mounting position	Any	
Type of seal on threaded plug	Sealing ring	Coating

Operating and environmental conditions		
Temperature-dependent operating pressure [Psi]	-13.8 ... +145	
Operating medium	Compressed air in accordance with ISO 8573-1:2010 [7:--:-]	
Note on operating/pilot medium	Operation with lubricated medium possible	
Ambient temperature [°F]	32 ... 140	
Corrosion resistance class CRC ¹⁾	1	

1) Corrosion resistance class 1 according to Festo standard 940 070
 Components subject to low corrosion stress. Transport and storage protection. Parts that do not have primarily decorative surface requirements, e.g. in internal areas that are not visible or behind covers.

Materials



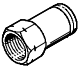

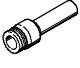
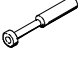

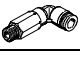

Sectional view



		QBM
1	Releasing ring	POM
2	Tubing seal	NBR
3	Housing	Nickel-plated brass PBT
4	Tube retaining claw	High-alloy stainless steel
Note on materials		Contains PWIS (paint wetting impairment substances) RoHS-compliant




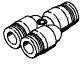

Push-in fittings QBM, Quick Basic, mini, NPT

Product range overview

Design	Version	Type	Connection D1				Connection D2		→ Page/ Internet
			UNF thread	NPT thread	Tubing O.D.	Push-in sleeve Ø	Tubing O.D.	Push-in sleeve Ø	
Straight design	Push-in fitting – Male thread with external hex								
		QBM	10-32	–	–	–	1/8, 5/32, 1/4	–	5
			–	1/8			1/8, 5/32, 1/4		
				1/4			1/8, 1/4		
	Push-in fitting – Male thread with internal hex								
		QBM-...I	10-32	–	–	–	1/8, 5/32, 1/4	–	5
			–	1/8			1/4		
	Push-in fitting – Female thread with external hex								
		QBMF	10-32	–	–	–	1/8, 5/32, 1/4	–	6
	Push-in connector								
		QBM-...T	–	–	1/8	–	–	–	7
					5/32				
				1/4					
	QBM-...T reducing	–	–	5/32	–	1/8	–		
				3/16		1/8			
				1/4		5/32			
Push-in connector with push-in sleeve									
	QBM-...H	–	–	–	5/32	1/8	–	7	
Blanking plug									
	QBMC-...H	–	–	–	1/8	–	–	8	
L-shape	Push-in L-fitting – Male thread with external hex								
		QBML	10-32	–	–	–	1/8, 5/32, 1/4	–	9
			–	1/8			1/8, 1/4		
				1/4			1/8, 1/4		
	Push-in long L-fitting – Male thread with external hex								
		QBMLL	10-32	–	–	–	1/8, 1/4	–	9
			–	1/8			1/8, 1/4		
Push-in L-connector									
	QBML-...T	–	–	1/8	–	–	–	10	
				5/32					
				1/4					

Push-in fittings QBM, Quick Basic, mini, NPT

Product range overview

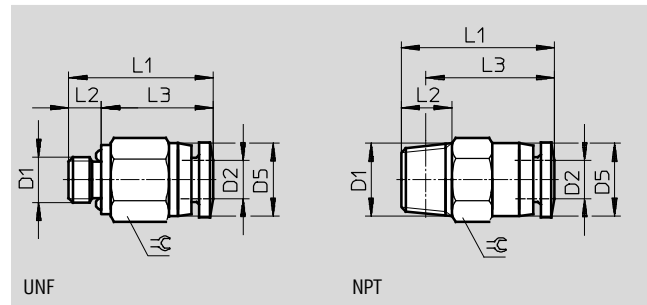
Design	Version	Type	Connection D1				Connection D2		→ Page/ Internet
			UNF thread	NPT thread	Tubing O.D.	Push-in sleeve Ø	Tubing O.D.	Push-in sleeve Ø	
T-shape	Push-in T-fitting – Male thread with external hex								
		QBMT	10-32	–	–	–	1/8, 5/32, 1/4	–	11
			–	1/8			1/8, 1/4		
			–	1/4			1/4		
	Push-in T-connector								
		QBMT-...T	–	–	1/8	–	–	–	12
			–	–	5/32	–	–	–	
			–	–	1/4	–	–	–	
		QBMT-...T reducing	–	–	5/32	–	1/8	–	
			–	–	1/4	–	5/32	–	
Push-in T-fitting – Male thread with external hex									
	QBMTL	10-32	–	–	–	1/8, 5/32, 1/4	–	13	
		–	1/8			1/8, 1/4			
		–	1/4			1/8			
Y-shape	Push-in Y-connector								
		QBMY-...T	–	–	1/8	–	–	–	14
			–	–	5/32	–	–	–	
			–	–	1/4	–	–	–	
		QBMY-...T reducing	–	–	5/32	–	1/8	–	
–			–	1/4	–	5/32	–		

Push-in fittings QBM, Quick Basic, mini, NPT

Technical data

Push-in fitting QBM

Male thread
with external hex

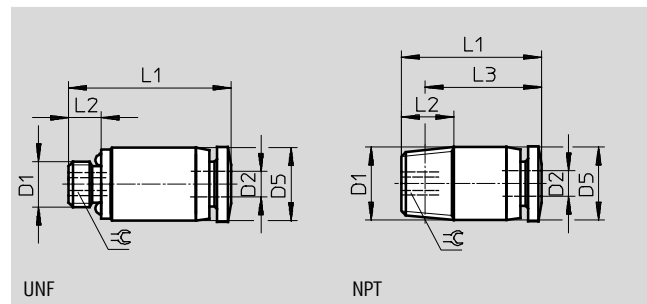


Dimensions and ordering data											
Connection	Nominal size	Tubing O.D.	D5	L1	L2	L3	⌀	Weight/piece	Part No.	Type	PU ¹⁾
D1	[inch]	D2	∅					[oz]			
UNF thread											
10-32	0.079	1/8	7.2	16.4	3.6	12.8	5/16	0.071	533266	QBM-10-32-UNF-1/8-U	10
	0.098	5/32	8.0	16.9	3.6	13.3	5/16	0.106	572303	QBM-10-32-UNF-5/32-U	10
	0.098	1/4	10.5	18.9	3.6	15.3	7/16	0.353	573050	QBM-10-32-UNF-1/4-U	10
NPT thread											
1/8	0.098	1/8	7.2	17.5	8.5	13.4	7/16	0.212	533270	QBM-1/8-1/8-U	10
	0.118	5/32	8.0	17.9	8.5	13.8	7/16	0.317	572305	QBM-1/8-5/32-U	10
	0.197	1/4	10.5	19.5	8.5	15.4	7/16	0.635	573051	QBM-1/8-1/4-U	10
1/4	0.098	1/8	7.2	21.5	10.5	15.7	9/16	0.529	572306	QBM-1/4-1/8-U	10
	0.197	1/4	10.5	22.3	10.5	16.5	9/16	1.023	573052	QBM-1/4-1/4-U	10

1) Packaging unit

Push-in fitting QBM-...-I

Male thread
with internal hex



Dimensions and ordering data											
Connection	Nominal size	Tubing O.D.	D5	L1	L2	L3	⌀	Weight/piece	Part No.	Type	PU ¹⁾
D1	[inch]	D2	∅					[oz]			
UNF thread											
10-32	0.094	1/8	7.0	16.4	3.6	-	3/32	0.071	572311	QBM-10-32-UNF-1/8-I-U	10
	0.094	5/32	8.0	17.0	3.6	-	3/32	0.106	572312	QBM-10-32-UNF-5/32-I-U	10
	0.094	1/4	10.5	19.0	3.6	-	3/32	0.423	573054	QBM-10-32-UNF-1/4-I-U	10
NPT thread											
1/8	0.157	1/4	10.5	19.5	8.5	15.4	3/32	0.635	573055	QBM-1/8-1/4-I-U	10

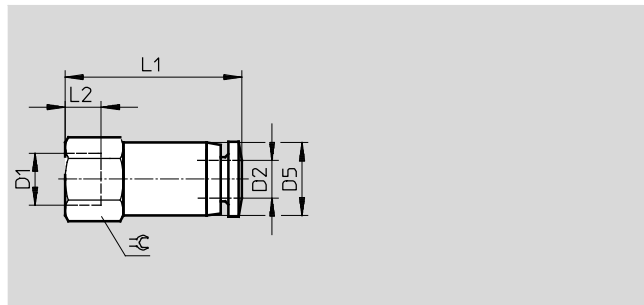
1) Packaging unit

Push-in fittings QBM, Quick Basic, mini, NPT

Technical data

FESTO

Push-in fitting QBMF



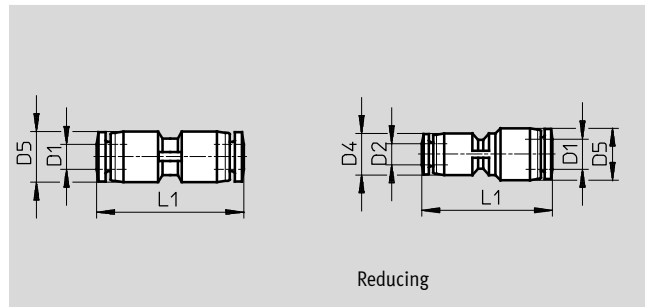
Dimensions and ordering data										
Connection	Nominal size	Tubing O.D.	D5 ∅	L1	L2	≈	Weight/ piece [oz]	Part No.	Type	PU ¹⁾
D1	[inch]	D2								
UNF thread										
10-32	0.098	1/8	7.5	18.8	6.0	5/16	0.071	572282	QBMF-10-32-UNF-1/8-U	10
	0.118	5/32	8.0	19.2	6.0	5/16	0.176	572283	QBMF-10-32-UNF-5/32-U	10
	0.118	1/4	10.5	20.5	6.0	7/16	0.212	573066	QBMF-10-32-UNF-1/4-U	10

1) Packaging unit

Push-in fittings QBM, Quick Basic, mini, NPT

Technical data

Push-in connector QBM-...T

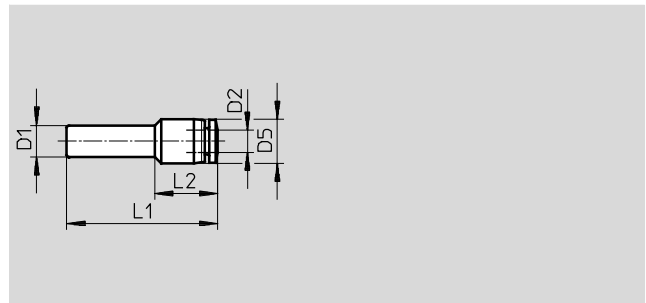


Reducing

Dimensions and ordering data									
Tubing O.D. D1	Nominal size [inch]	Tubing O.D. D2	D4 Ø	D5 Ø	L1	Weight/piece [oz]	Part No.	Type	PU ¹⁾
1/8	0.094	-	-	7.5	23.6	0.035	572277	QBM-1/8T-U	10
5/32	0.118	-	-	8.4	24.5	0.071	572278	QBM-5/32T-U	10
1/4	0.197	-	-	11.2	28.6	0.106	573056	QBM-1/4T-U	10
Reducing									
5/32	0.094	1/8	7.5	8.4	24.1	0.071	572279	QBM-5/32T-1/8-U	10
3/16	0.098		7.5	11.5	28.7	0.106	573057	QBM-3/16T-1/8-U	10
1/4	0.138	5/32	8.8	11.2	28.1	0.106	573058	QBM-1/4T-5/32-U	10

1) Packaging unit

Push-in connector QBM-...H with push-in sleeve



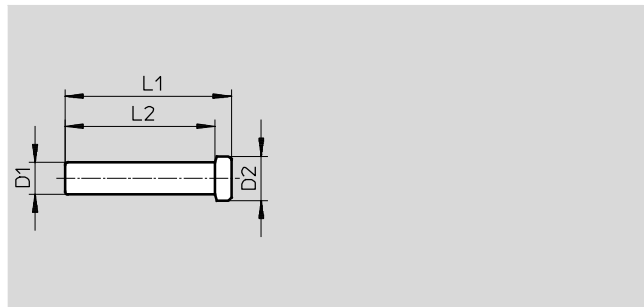
Dimensions and ordering data									
Push-in sleeve Ø D1	Nominal size [inch]	Tubing O.D. D2	D5 Ø	L1	L2	Weight/piece [oz]	Part No.	Type	PU ¹⁾
5/32	0.094	1/8	7.6	30.4	12.4	0.035	572280	QBM-5/32H-1/8-U	10

1) Packaging unit

Push-in fittings QBM, Quick Basic, mini, NPT

Technical data

Blanking plug QBMC-...H



Dimensions and ordering data							
Push-in sleeve Ø	D2	L1	L2	Weight/piece [oz]	Part No.	Type	PU ¹⁾
D1	Ø						
1/8	5.0	20.0	18.0	0.035	572281	QBMC-1/8H-U	10

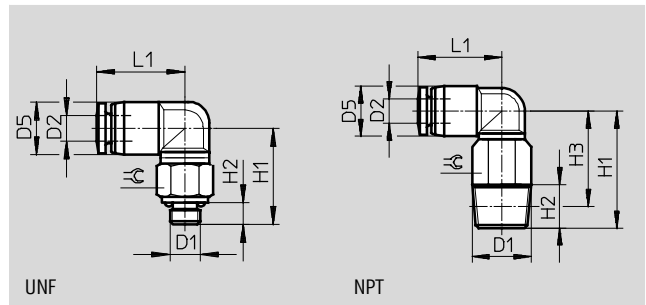
1) Packaging unit

Push-in fittings QBM, Quick Basic, mini, NPT

Technical data

Push-in L-fitting QBML

Male thread
with external hex

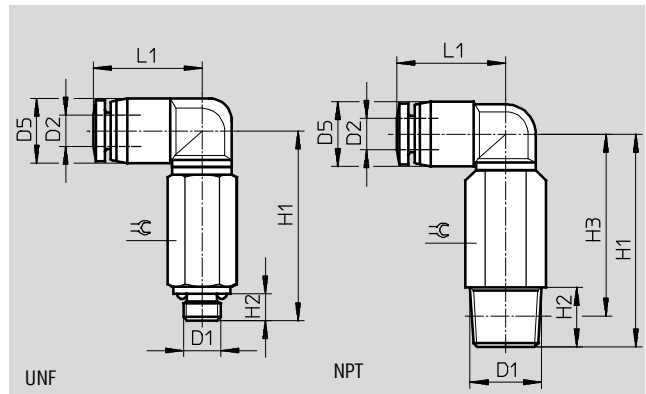


Dimensions and ordering data												
Connection	Nominal size	Tubing O.D.	D5 ∅	H1	H2	H3	L1	⌀	Weight/piece [oz]	Part No.	Type	PU ¹⁾
D1	[inch]	D2										
UNF thread												
10-32	0.098	1/8	7.6	15.3	3.6	-	13.5	5/16	0.071	533285	QBML-10-32-UNF-1/8-U	10
	0.098	5/32	8.7	15.9	3.6	-	14.6	5/16	0.176	572308	QBML-10-32-UNF-5/32-U	10
	0.098	1/4	11.3	17.2	3.6	-	16.1	5/16	0.353	573059	QBML-10-32-UNF-1/4-U	10
NPT thread												
1/8	0.098	1/8	7.6	15.8	8.5	11.7	13.5	7/16	0.176	533289	QBML-1/8-1/8-U	10
	0.118	1/4	11.3	17.7	8.5	13.6	16.1	7/16	0.564	573060	QBML-1/8-1/4-U	10
1/4	0.098	1/8	7.6	18.3	10.5	12.5	13.5	9/16	0.282	572310	QBML-1/4-1/8-U	10
	0.118	1/4	11.3	20.2	10.5	14.4	16.1	9/16	0.811	573061	QBML-1/4-1/4-U	10

1) Packaging unit

Push-in long L-fitting QBMLL

Male thread
with external hex



Dimensions and ordering data												
Connection	Nominal size	Tubing O.D.	D5 ∅	H1	H2	H3	L1	⌀	Weight/ piece [oz]	Part No.	Type	PU ¹⁾
D1	[inch]	D2										
UNF thread												
10/32	0.098	1/8	7.6	23.9	3.6	-	13.5	5/16	0.282	572286	QBMLL-10-32-UNF-1/8-U	10
	0.098	1/4	11.3	28.7	3.6	-	16.1	5/16	0.317	573064	QBMLL-10-32-UNF-1/4-U	10
NPT thread												
1/8	0.098	1/8	7.6	24.4	8.5	20.3	13.5	7/16	0.388	572287	QBMLL-1/8-1/8-U	10
	0.118	1/4	11.3	32.7	8.5	28.6	16.1	7/16	0.494	573065	QBMLL-1/8-1/4-U	10

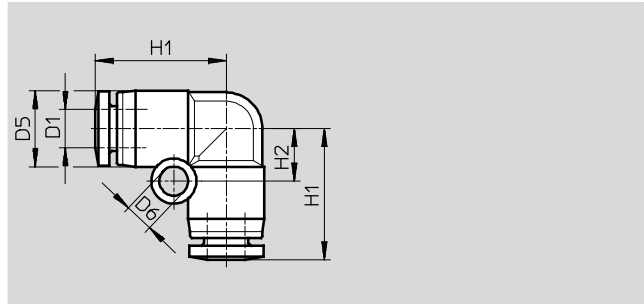
1) Packaging unit

Push-in fittings QBM, Quick Basic, mini, NPT

Technical data

FESTO

Push-in L-connector QBML-...T



Dimensions and ordering data									
Tubing O.D.	Nominal size	D5	D6	H1	H2	Weight/ piece	Part No.	Type	PU ¹⁾
D1	[inch]	∅	∅			[oz]			
1/8	0.094	7.5	3.2	13.5	5.4	0.071	572284	QBML-1/8T-U	10
5/32	0.118	8.4	3.2	14.5	5.8	0.106	572285	QBML-5/32T-U	10
1/4	0.197	11.2	3.3	17.6	7.0	0.176	573063	QBML-1/4T-U	10

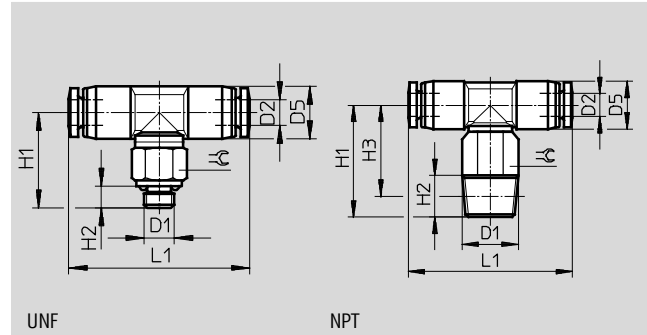
1) Packaging unit

Push-in fittings QBM, Quick Basic, mini, NPT

Technical data

Push-in T-fitting QBMT

Male thread
with external hex



Dimensions and ordering data												
Connection	Nominal size	Tubing O.D.	D5 ∅	H1	H2	H3	L1	⌀	Weight/ piece [oz]	Part No.	Type	PU ¹⁾
D1	[inch]	D2										
UNF thread												
10-32	0.098	1/8	7.6	15.3	3.6	-	29.0	5/16	0.071	533304	QBMT-10-32-UNF-1/8-U	10
	0.098	5/32	8.7	15.9	3.6	-	30.2	5/16	0.088	572289	QBMT-10-32-UNF-5/32-U	10
	0.098	1/4	11.3	17.2	3.6	-	32.2	5/16	0.353	573067	QBMT-10-32-UNF-1/4-U	10
NPT thread												
1/8	0.098	1/8	7.6	15.8	8.5	11.7	29.0	7/16	0.176	533308	QBMT-1/8-1/8-U	10
	0.138	1/4	11.3	17.7	8.5	13.6	32.2	7/16	0.564	573068	QBMT-1/8-1/4-U	10
1/4	0.098	1/8	7.6	18.3	10.5	12.5	29.0	9/16	0.423	572291	QBMT-1/4-1/8-U	10

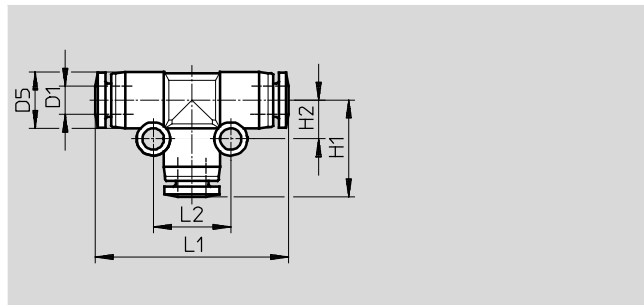
1) Packaging unit

Push-in fittings QBM, Quick Basic, mini, NPT

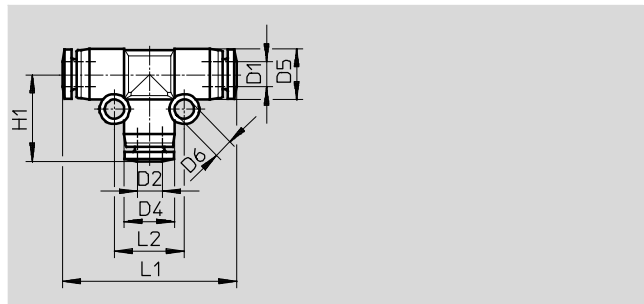
Technical data

FESTO

Push-in T-connector QBMT-...T



Reducing



Dimensions and ordering data												
Tube O.D.	Nominal size	Tube O.D.	D4	D5	D6	H1	L1	L2	Weight/ piece	Part No.	Type	PU ¹⁾
D1	[inch]	D2	∅	∅	∅				[oz]			
1/8	0.094	-	-	7.5	3.2	13.5	27.0	10.8	0.106	572293	QBMT-1/8T-U	10
5/32	0.118	-	-	8.4	3.2	14.5	29.0	11.6	0.141	572294	QBMT-5/32T-U	10
1/4	0.197	-	-	11.2	3.3	17.6	35.2	14.0	0.212	573069	QBMT-1/4T-U	10
Reducing												
5/32	0.094	1/8	8.4	8.4	3.2	14.4	14.5	5.8	0.141	572292	QBMT-5/32T-1/8-U	10
1/4	0.118	5/32	11.2	11.2	3.3	17.6	17.6	7.0	0.176	573070	QBMT-1/4T-5/32-U	10

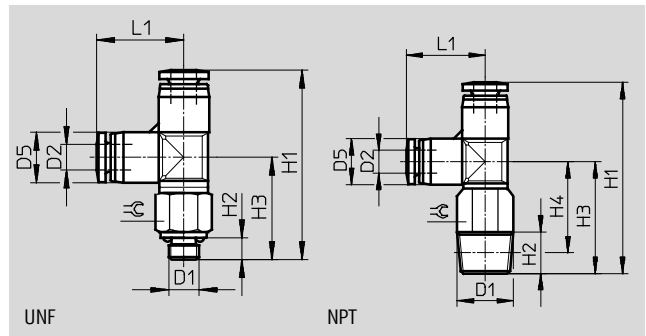
1) Packaging unit

Push-in fittings QBM, Quick Basic, mini, NPT

Technical data

Push-in T-fitting QBMTL

Male thread
with external hex



Dimensions and ordering data													
Connection	Nominal size	Tubing O.D.	D5 ∅	H1	H2	H3	H4	L1	⌀	Weight/ piece [oz]	Part No.	Type	PU ¹⁾
D1	[inch]	D2											
UNF thread													
10-32	0.098	1/8	7.6	28.9	3.6	15.3	-	13.6	5/16	0.071	572295	QBMTL-10-32-UNF-1/8-U	10
	0.098	5/32	8.7	30.4	3.6	15.9	-	14.5	5/16	0.176	572296	QBMTL-10-32-UNF-5/32-U	10
	0.098	1/4	11.2	35.0	3.6	17.1	-	17.9	5/16	0.353	573071	QBMTL-10-32-UNF-1/4-U	10
NPT thread													
1/8	0.098	1/8	7.6	29.4	8.5	15.8	11.7	13.6	7/16	0.176	572297	QBMTL-1/8-1/8-U	10
	0.118	1/4	11.2	35.5	8.5	17.6	13.5	17.9	7/16	0.564	573072	QBMTL-1/8-1/4-U	10
1/4	0.098	1/8	7.6	31.9	10.5	18.3	12.5	13.6	9/16	0.423	572298	QBMTL-1/4-1/8-U	10

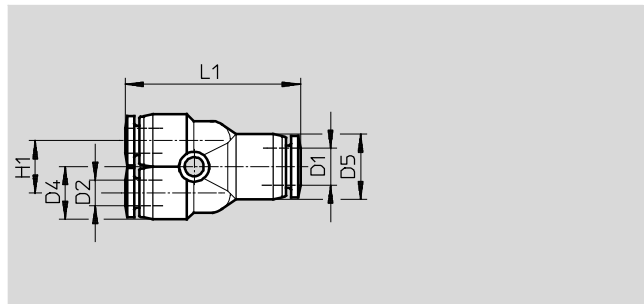
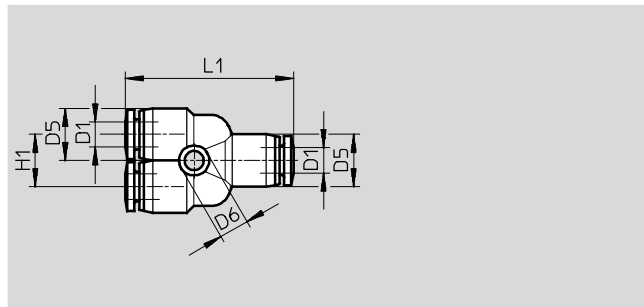
1) Packaging unit

Push-in fittings QBM, Quick Basic, mini, NPT

Technical data

FESTO

Push-in Y-connector QBM...T



Dimensions and ordering data											
Tubing O.D.	Nominal size	Tubing O.D.	D4	D5	D6	H1	L1	Weight/ piece	Part No.	Type	PU ¹⁾
D1	[inch]	D2	∅	∅	∅			[oz]			
1/8	0.094	-	-	7.6	3.2	7.6	26.8	0.141	572299	QBM-1/8T-U	10
5/32	0.118	-	-	8.7	3.2	8.7	28.0	0.106	572300	QBM-5/32T-U	10
1/4	0.197	-	-	11.3	3.2	11.3	32.6	0.176	573073	QBM-1/4T-U	10
Reducing											
1/8	0.094	5/32	7.6	8.7	3.2	7.6	27.5	0.141	572301	QBM-5/32T-1/8-U	10
5/32	0.118	1/4	8.7	11.3	3.2	8.7	29.8	0.176	573074	QBM-1/4T-5/32-U	10

1) Packaging unit