

Push-in fittings QB, Quick Basic, NPT



Push-in fittings QB, Quick Basic, NPT

Technical data

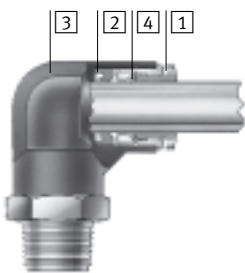
General technical data		
Connecting thread	UNF	NPT
Size	Standard	
Design	Push-pull principle	
Mounting position	Any	
Type of seal on threaded plug	Sealing ring	Coating

Operating and environmental conditions		
Temperature-dependent operating pressure [psi]	-13.8 ... +145	
Operating medium	Compressed air in accordance with ISO 8573-1:2010 [7:-:-]	
Note on operating/pilot medium	Operation with lubricated medium possible	
Ambient temperature [°F]	32 ... 140	
Corrosion resistance class CRC ¹⁾	1	

1) Corrosion resistance class 1 according to Festo standard 940 070
 Components subject to low corrosion stress. Transport and storage protection. Parts that do not have primarily decorative surface requirements, e.g. in internal areas that are not visible or behind covers.

Materials


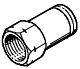



Sectional view



		QB, NPT
1	Release ring	POM
2	Tubing seal	NBR
3	Housing	Nickel-plated brass
		PBT
4	Tube retaining claw	High-alloy stainless steel
Note on materials		Contains PWIS (paint-wetting impairment substances)
		RoHS-compliant




Push-in fittings QB, Quick Basic, NPT

Product range overview

Design	Version	Type	Connection D1				Connection D2		→ Page/ Internet	
			UNF thread	NPT thread	Tubing O.D.	Push-in sleeve Ø	Tubing O.D.	Push-in sleeve Ø		
Inline	Push-in fitting – Male thread with external hex									
		QB	10-32	–	–	–	–	5/32, 3/16, 1/4	–	8
			–	1/8				5/32, 3/16, 1/4, 5/16, 3/8		
				1/4				5/32, 3/16, 1/4, 5/16, 3/8, 1/2		
				3/8				1/4, 5/16, 3/8, 1/2		
				1/2				5/16, 3/8, 1/2		
	Push-in fitting – Female thread with external hex									
		QBF	–	1/8	–	–	–	5/32, 3/16, 1/4, 5/16, 3/8	–	10
				1/4				5/32, 3/16, 1/4, 5/16, 3/8, 1/2		
				3/8				1/4, 5/16, 3/8, 1/2		
				1/2				5/16, 3/8		
Push-in connector										
	QB-...T	–	–	5/32	–	–	–	–	11	
				3/16						
				1/4						
				5/16						
				3/8						
				1/2						
	QB-...T reducing	–	–	3/16	–	–	5/32	–		
				1/4			5/32, 3/16			
				5/16			5/32, 1/4			
				3/8			1/4, 5/16			
				1/2			3/8			
Push-in bulkhead connector										
	QBS-...T	–	–	5/32	–	–	–	–	12	
				3/16						
				1/4						
				5/16						
				3/8						
				1/2						

Push-in fittings QB, Quick Basic, NPT




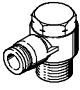

Product range overview

Design	Version	Type	Connection D1				Connection D2		→ Page/ Internet
			UNF thread	NPT thread	Tubing O.D.	Push-in sleeve Ø	Tubing O.D.	Push-in sleeve Ø	
Inline	Push-in connector with push-in sleeve								
		QB-...H	-	-	-	1/8	1/4	-	13
						5/32	1/8, 1/4		
						1/4	1/8, 5/32		
						5/16	5/32, 1/4		
						3/8	1/4, 5/16		
						1/2	3/8		
	Push-in sleeve								
		QBH reducing	-	-	-	3/16	-	5/32	13
						1/4		5/32, 3/16	
						5/16		1/4	
						3/8		1/4, 5/16	
						1/2		3/8	
						Blanking plug			
		QBC-...H	-	-	-	5/32	-	-	14
						3/16			
						1/4			
						5/16			
3/8									
1/2									

Push-in fittings QB, Quick Basic, NPT





Product range overview

FESTO

Design	Version	Type	Connection D1				Connection D2		→ Page/ Internet
			UNF thread	NPT thread	Tubing O.D.	Push-in sleeve Ø	Tubing O.D.	Push-in sleeve Ø	
L-shape	Push-in L-fitting – Male thread with external hex								
		QBL	10-32	–	–	–	5/32, 3/16, 1/4	–	15
			–	1/8			5/32, 3/16, 1/4, 5/16, 3/8		
				1/4			5/32, 3/16, 1/4, 5/16, 3/8, 1/2		
				3/8			3/16, 1/4, 5/16, 3/8, 1/2		
				1/2			3/8, 1/2		
	Push-in L-fitting (long) – Male thread with external hex								
		QBL	–	1/8	–	–	5/32, 3/16, 1/4, 5/16	–	16
				1/4			5/32, 3/16, 1/4, 5/16, 3/8, 1/2		
				3/8			3/16, 1/4, 5/16, 3/8, 1/2		
				1/2			3/8, 1/2		
	Push-in L-fitting – Female thread with external hex								
		QBLF	10-32	–	–	–	5/32, 1/4	–	17
			–	1/8			5/32, 3/16, 1/4, 5/16		
				1/4			5/32, 3/16, 1/4, 5/16, 3/8		
				3/8			1/4, 5/16, 3/8, 1/2		
				1/2			3/8, 1/2		
	Push-in L-fitting – Male thread with external hex								
	QBLV	10-32	–	–	–	1/8, 5/32, 3/16, 1/4	–	18	
		–	1/8			5/32, 3/16, 1/4, 5/16			
			1/4			5/32, 3/16, 1/4, 5/16, 3/8			
			3/8			3/16, 1/4, 5/16, 3/8, 1/2			
			1/2			5/16, 3/8, 1/2			
Push-in L-connector									
	QBL...T	–	–	5/32	–	–	–	19	
					3/16				
					1/4				
					5/16				
					3/8				
					1/2				


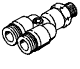
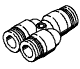
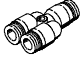
Push-in fittings QB, Quick Basic, NPT

Product range overview

Design	Version	Type	Connection D1				Connection D2		→ Page/ Internet
			UNF thread	NPT thread	Tubing O.D.	Push-in sleeve Ø	Tubing O.D.	Push-in sleeve Ø	
T-shape	Push-in T-fitting – Male thread with external hex								
		QBT	10-32	–	–	–	5/32, 3/16, 1/4	–	20
			–	1/8			5/32, 3/16, 1/4, 5/16, 3/8		
				1/4			5/32, 3/16, 1/4, 5/16, 3/8, 1/2		
				3/8			3/16, 1/4, 5/16, 3/8, 1/2		
				1/2			3/8, 1/2		
	Push-in T-connector								
		QBT...T	–	–	5/32	–	–	–	21
					3/16				
					1/4				
				5/16					
				3/8					
	QBT...T reducing	–	–	1/4	–	5/32	–		
				5/16		1/4			
				3/8		1/4, 5/16			
				1/2		3/8			
Multiple distributor – 3 outlets									
	QBT3...T reducing	–	–	3/16, 1/4, 5/16	–	5/32	–	22	
				5/16, 3/8		1/4			
				3/8		5/16			
Push-in T-fitting – Male thread with external hex									
	QBTL	10-32	–	–	–	5/32, 3/16, 1/4	–	23	
			1/8			5/32, 3/16, 1/4, 5/16, 3/8			
			1/4			5/32, 3/16, 1/4 > 5/16, 3/8, 1/2			
			3/8			3/16, 1/4, 5/16, 3/8, 1/2			
			1/2			3/8, 1/2			

Push-in fittings QB, Quick Basic, NPT

Product range overview

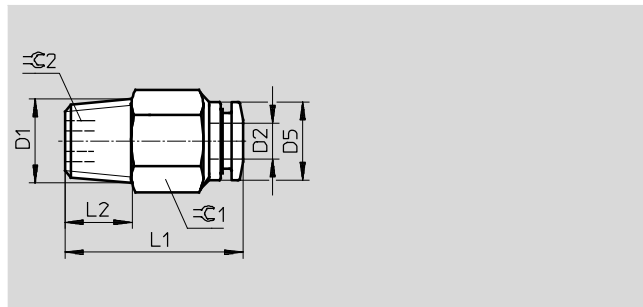
Design	Version	Type	Connection D1				Connection D2		→ Page/ Internet
			UNF thread	NPT thread	Tubing O.D.	Push-in sleeve Ø	Tubing O.D.	Push-in sleeve Ø	
X-shape	Push-in X-connector								
		QBX-...T	-	-	5/32	-	5/32	-	24
					3/16				
					1/4				
					5/16				
					3/8				
1/2									
Y-shape	Push-in Y-fitting – Male thread with external hex								
		QBY	10-32	-	-	-	5/32, 3/16, 1/4	-	25
				1/8					
				1/4					
				3/8					
				1/2					
				5/32, 3/16, 1/4, 5/16, 3/8					
	5/32, 3/16, 1/4, 5/16, 3/8, 1/2								
	3/16, 1/4, 5/16, 3/8, 1/2								
	5/16, 3/8, 1/2								
	Push-in Y-connector								
	QBY-...T	-	-	5/32	-	-	-	26	
				3/16					
				1/4					
				5/16					
				3/8					
				1/2					
	QBY-...T reducing	-	-	3/16	-	5/32	-	26	
				1/4					
				5/16					
				3/8					
				1/2					
				5/32, 3/16					
3/32, 1/4									
1/4, 5/16									
5/16, 3/8									

Push-in fittings QB, Quick Basic, NPT

Technical data

Push-in fitting QB

Male thread
with external hex



Dimensions and ordering data											
Connection	Nominal size	Tubing O.D.	D5 \varnothing	L1	L2	$\varnothing 1$	$\varnothing 2$	Weight/piece	Part No.	Type	PU ¹⁾
D1	[inch]	D2						[oz]			
UNF thread											
10-32	0.098	5/32	0.413	0.882	0.161	7/16	3/32	0.205	533267	QB-10-32-UNF-5/32-U	10
	0.098	3/16	0.433	0.890	0.161	7/16	3/32	0.275	533268	QB-10-32-UNF-3/16-U	10
	0.098	1/4	0.500	0.945	0.161	1/2	3/32	0.310	533269	QB-10-32-UNF-1/4-U	10
NPT thread											
1/8	0.126	5/32	0.413	0.764	0.335	7/16	1/8	0.275	533271	QB-1/8-5/32-U	10
	0.126	3/16	0.433	0.909	0.335	7/16	1/8	0.522	533272	QB-1/8-3/16-U	10
	0.189	1/4	0.500	0.945	0.335	1/2	3/16	0.310	533273	QB-1/8-1/4-U	10
	0.189	5/16	0.551	1.126	0.335	9/16	3/16	0.448	533274	QB-1/8-5/16-U	10
	0.189	3/8	0.657	1.177	0.335	11/16	3/16	0.755	567773	QB-1/8-3/8-U	10
1/4	0.126	5/32	0.413	0.862	0.413	9/16	1/8	0.522	567772	QB-1/4-5/32-U	10
	0.126	3/16	0.433	0.909	0.413	9/16	1/8	0.875	533275	QB-1/4-3/16-U	10
	0.189	1/4	0.500	0.921	0.413	9/16	3/16	0.452	533276	QB-1/4-1/4-U	10
	0.252	5/16	0.551	1.039	0.413	9/16	1/4	0.519	533277	QB-1/4-5/16-U	10
	0.252	3/8	0.657	1.217	0.413	11/16	1/4	0.896	533278	QB-1/4-3/8-U	10
	0.252	1/2	0.819	1.390	0.413	7/8	1/4	1.238	567771	QB-1/4-1/2-U	10
3/8	0.189	1/4	0.500	0.961	0.453	11/16	3/16	0.840	533279	QB-3/8-1/4-U	10
	0.252	5/16	0.551	0.961	0.453	11/16	1/4	0.765	533280	QB-3/8-5/16-U	10
	0.315	3/8	0.657	1.087	0.453	11/16	5/16	0.720	533281	QB-3/8-3/8-U	5
	0.374	1/2	0.819	1.252	0.453	7/8	3/8	1.273	533282	QB-3/8-1/2-U	5
1/2	0.252	5/16	0.551	1.079	0.571	7/8	1/4	2.106	567770	QB-1/2-5/16-U	10
	0.315	3/8	0.657	1.106	0.571	7/8	5/16	1.778	533283	QB-1/2-3/8-U	5
	0.374	1/2	0.819	1.232	0.571	7/8	3/8	1.626	533284	QB-1/2-1/2-U	5

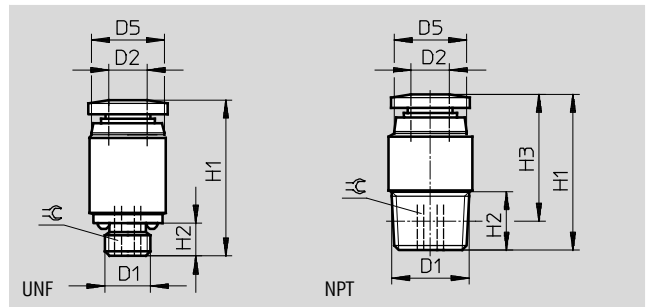
1) Packaging unit

Push-in fittings QB, Quick Basic, NPT

Technical data

Push-in fitting QB-...-I

Male thread
with internal hex



Dimensions and ordering data											
Connection	Nominal size	Tubing O.D.	D5	H1	H2	H3	⌀	Weight/piece	Part No.	Type	PU ¹⁾
D1	[inch]	D2	∅					[oz]			
UNF thread											
10-32	0.094	3/16	11.0	22.8	4.1	18.7	3/32	0.205	572313	QB-10-32-UNF-3/16-I-U	10
	0.094	1/4	13.0	24.2	4.1	20.1	3/32	0.31	572316	QB-10-32-UNF-1/4-I-U	10
NPT thread											
1/8	0.126	5/32	11.0	21.0	8.5	16.9	1/8	0.24	572317	QB-1/8-5/32-I-U	10
	0.126	3/16	12.0	22.8	8.5	18.7	1/8	0.24	572315	QB-1/8-3/16-I-U	10
	0.189	1/4	13.0	23.7	8.5	19.6	3/16	0.346	572318	QB-1/8-1/4-I-U	10
	0.189	5/16	14.0	28.7	8.5	24.6	3/16	0.519	572319	QB-1/8-5/16-I-U	10
1/4	0.189	1/4	14.0	23.9	10.5	18.1	3/16	0.452	572320	QB-1/4-1/4-I-U	10
	0.252	5/16	14.0	26.5	10.5	20.7	1/4	0.624	572321	QB-1/4-5/16-I-U	10
	0.252	3/8	18.0	28.2	10.5	22.4	1/4	0.896	572322	QB-1/4-3/8-I-U	10
3/8	0.252	5/16	18.0	25.0	11.5	18.9	1/4	0.801	572323	QB-3/8-5/16-I-U	10
	0.315	3/8	18.0	28.2	11.5	22.1	5/16	1.213	572324	QB-3/8-3/8-I-U	5
	0.378	1/2	21.0	32.9	11.5	26.8	3/8	1.203	572325	QB-3/8-1/2-I-U	5
1/2	0.378	1/2	22.0	33.0	14.5	24.9	3/8	1.52	572326	QB-1/2-1/2-I-U	5

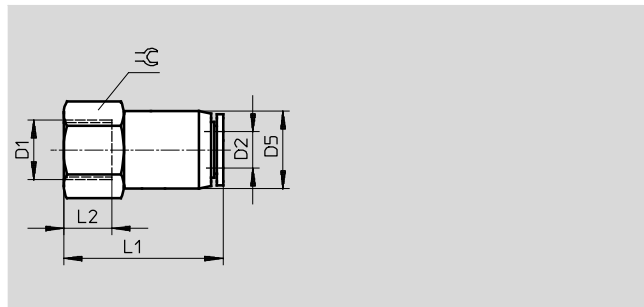
1) Packaging unit

Push-in fittings QB, Quick Basic, NPT

Technical data

Push-in fitting QBF

Female thread
with external hex



Dimensions and ordering data										
Connection	Nominal size	Tubing O.D.	D5	L1	L2	⌀	Weight/ piece	Part No.	Type	PU ¹⁾
D1	[inch]	D2	∅				[oz]			
1/8	0.138	5/32	0.394	1.063	0.374	9/16	0.557	564636	QBF-1/8-5/32-U	10
	0.157	3/16	0.437	1.106	0.374	9/16	0.557	564637	QBF-1/8-3/16-U	10
	0.197	1/4	0.512	1.134	0.374	9/16	0.663	564638	QBF-1/8-1/4-U	10
	0.236	5/16	0.551	1.157	0.374	9/16	0.660	564639	QBF-1/8-5/16-U	10
	0.315	3/8	0.657	1.299	0.374	11/16	1.037	564640	QBF-1/8-3/8-U	10
1/4	0.138	5/32	0.394	1.161	0.453	11/16	0.698	564642	QBF-1/4-5/32-U	10
	0.157	3/16	0.437	1.185	0.453	11/16	0.698	564643	QBF-1/4-3/16-U	10
	0.197	1/4	0.512	1.213	0.453	11/16	0.840	564644	QBF-1/4-1/4-U	10
	0.236	5/16	0.551	1.256	0.453	11/16	0.907	564645	QBF-1/4-5/16-U	10
	0.315	3/8	0.657	1.299	0.453	11/16	0.931	564646	QBF-1/4-3/8-U	10
	0.394	1/2	0.819	1.472	0.453	7/8	1.873	564647	QBF-1/4-1/2-U	5
3/8	0.197	1/4	0.512	1.291	0.492	7/8	1.404	564648	QBF-3/8-1/4-U	10
	0.236	5/16	0.551	1.276	0.492	7/8	1.365	567774	QBF-3/8-5/16-U	10
	0.315	3/8	0.657	1.339	0.492	7/8	1.390	564649	QBF-3/8-3/8-U	10
	0.394	1/2	0.819	1.472	0.492	7/8	1.591	564650	QBF-3/8-1/2-U	5
1/2	0.236	5/16	0.551	1.354	0.571	15/16	1.612	564651	QBF-1/2-5/16-U	10
	0.315	3/8	0.657	1.441	0.567	15/16	1.460	564652	QBF-1/2-3/8-U	5

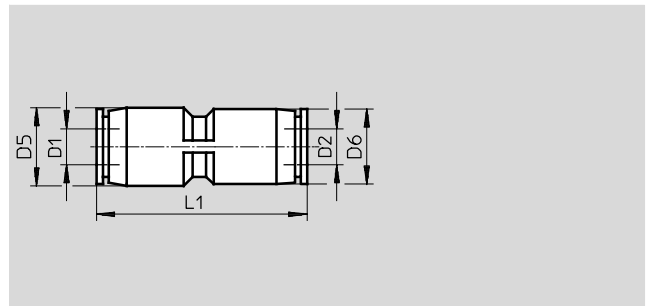
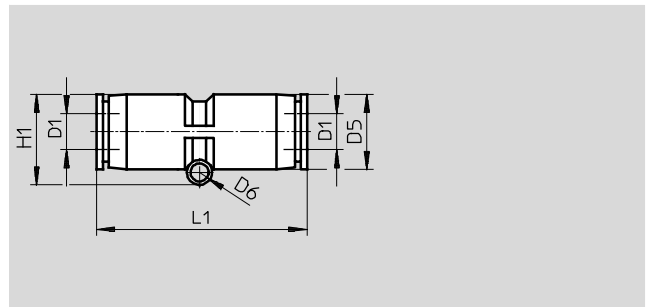
1) Packaging unit

Push-in fittings QB, Quick Basic, NPT

Technical data



Push-in connector QB-...T



Reducing

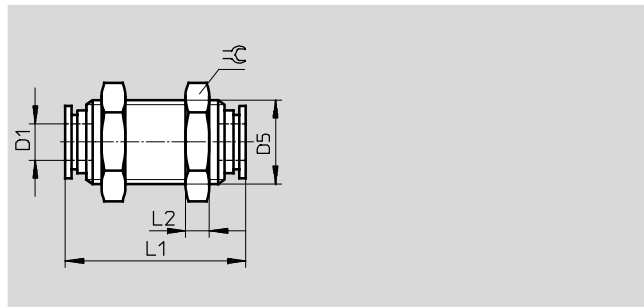
Dimensions and ordering data										
Tubing O.D.	Nominal size	Tubing O.D.	D5	D6	H1	L1	Weight/ piece	Part No.	Type	PU ¹⁾
D1	[inch]	D2	∅	∅			[oz]			
5/32	0.118	-	0.413	0.130	0.500	1.350	0.127	564754	QB-5/32T-U	10
3/16	0.138	-	0.453	0.138	0.594	1.409	0.120	564755	QB-3/16T-U	10
1/4	0.189	-	0.512	0.138	0.638	1.449	0.226	564756	QB-1/4T-U	10
5/16	0.256	-	0.571	0.169	0.693	1.579	0.296	564757	QB-5/16T-U	10
3/8	0.315	-	0.689	0.177	0.846	1.669	0.473	564758	QB-3/8T-U	10
1/2	0.354	-	0.827	0.177	0.965	1.925	0.670	564759	QB-1/2T-U	5
Reducing										
3/16	0.126	5/32	0.453	0.413	-	1.378	0.194	564797	QB-3/16T-5/32-U	10
1/4	0.126	5/32	0.512	0.413	-	1.398	0.194	564798	QB-1/4T-5/32-U	10
	0.150	3/16	0.512	0.453	-	1.429	0.190	564799	QB-1/4T-3/16-U	10
5/16	0.126	5/32	0.583	0.413	-	1.524	0.194	564800	QB-5/16T-5/32-U	10
	0.197	1/4	0.571	0.512	-	1.512	0.261	564801	QB-5/16T-1/4-U	10
3/8	0.197	1/4	0.689	0.512	-	1.563	0.279	564802	QB-3/8T-1/4-U	10
	0.276	5/16	0.689	0.571	-	1.626	0.384	564803	QB-3/8T-5/16-U	10
1/2	0.315	3/8	0.827	0.689	-	1.780	0.571	564804	QB-1/2T-3/8-U	5

1) Packaging unit

Push-in fittings QB, Quick Basic, NPT

Technical data

Push-in bulkhead connector QBS-...T



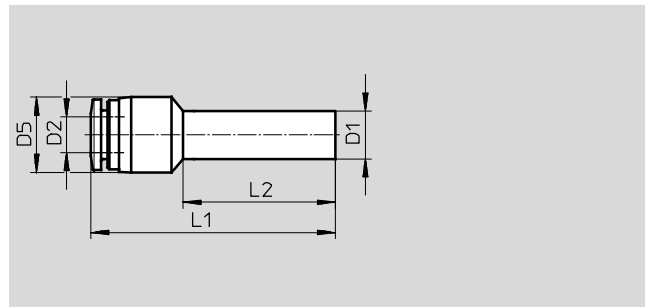
Dimensions and ordering data									
Tube O.D.	Nominal size	D5	L1	L2	\approx	Weight/piece	Part No.	Type	PU ¹⁾
D1	[inch]	\varnothing				[oz]			
5/32	0.118	M12x1	1.3976	0.157	0.551	0.691	564748	QBS-5/32T-U	10
3/16	0.157	M14x1	1.4409	0.157	0.669	0.691	564749	QBS-3/16T-U	10
1/4	0.197	M14x1	1.5354	0.157	0.669	1.044	564750	QBS-1/4T-U	10
5/16	0.276	M16x1	1.6614	0.197	0.748	1.284	564751	QBS-5/16T-U	10
3/8	0.315	M20x1	1.6929	0.197	0.945	2.109	564752	QBS-3/8T-U	5
1/2	0.433	M22x1	1.9488	0.197	1.024	2.935	564753	QBS-1/2T-U	5

1) Packaging unit

Push-in fittings QB, Quick Basic, NPT

Technical data

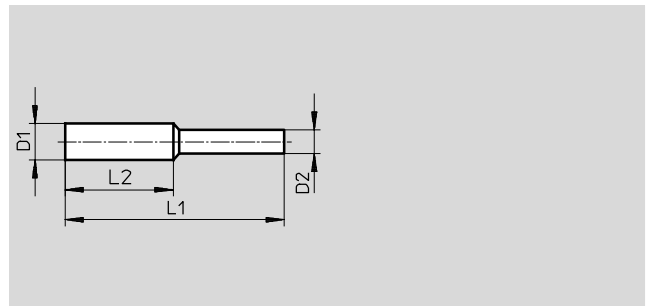
Push-in connector QB-...H
with push-in sleeve



Dimensions and ordering data									
Push-in sleeve Ø	Nominal size	Tubing O.D.	D5 Ø	L1	L2	Weight/piece [oz]	Part No.	Type	PU ¹⁾
D1	[inch]	D2							
1/8	0.051	1/4	0.512	1.488	0.728	0.095	564810	QB-1/8H-1/4-U	10
5/32	0.079	1/8	0.299	1.197	0.709	0.106	564811	QB-5/32H-1/8-U	10
	0.079	1/4	0.512	1.488	0.728	0.095	564812	QB-5/32H-1/4-U	10
1/4	0.098	1/8	0.299	1.260	0.850	0.141	564813	QB-1/4H-1/8-U	10
	0.134	5/32	0.413	1.587	0.890	0.134	564814	QB-1/4H-5/32-U	10
5/16	0.197	5/32	0.413	1.567	0.972	0.169	564815	QB-5/16H-5/32-U	10
	0.157	1/4	0.512	1.890	1.130	0.166	564816	QB-5/16H-1/4-U	10
3/8	0.220	1/4	0.512	1.890	1.228	0.166	564817	QB-3/8H-1/4-U	10
	0.256	5/16	0.583	1.772	0.957	0.201	567779	QB-3/8H-5/16-U	10
1/2	0.315	3/8	0.689	2.039	1.205	0.219	567780	QB-1/2H-3/8-U	10

1) Packaging unit

Push-in sleeve QBH



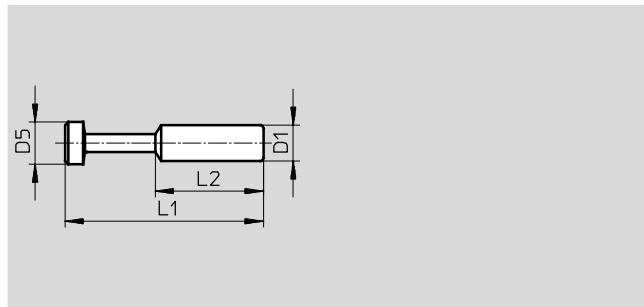
Dimensions and ordering data									
Push-in sleeve Ø	Nominal size	Push-in sleeve Ø	L1	L2	Weight/piece [oz]	Part No.	Type	PU ¹⁾	
D1	[inch]	D2							
Reducing									
3/16	0.079	5/32	40	20	0.035	567781	QBH-3/16-5/32-U	10	
1/4	0.079	5/32	41	21	0.035	567761	QBH-1/4-5/32-U	10	
	0.110	3/16	41	21	0.035	567782	QBH-1/4-3/16-U	10	
5/16	0.157	1/4	43	22	0.071	567783	QBH-5/16-1/4-U	10	
3/8	0.157	1/4	45	23	0.106	567762	QBH-3/8-1/4-U	10	
	0.197	5/16	45	23	0.106	567784	QBH-3/8-5/16-U	10	
1/2	0.256	3/8	48	25	0.141	567785	QBH-1/2-3/8-U	10	

1) Packaging unit

Push-in fittings QB, Quick Basic, NPT

Technical data

Blanking plug QBC-...H



Dimensions and ordering data							
Push-in sleeve Ø	D5 Ø	L1	L2	Weight/piece [oz]	Part No.	Type	PU ¹⁾
5/32	5/32	1.181	0.709	0.035	564784	QBC-5/32H-U	10
3/16	3/16	1.299	0.748	0.035	564785	QBC-3/16H-U	10
1/4	1/4	1.339	0.787	0.035	564786	QBC-1/4H-U	10
5/16	5/16	1.496	0.866	0.035	564787	QBC-5/16H-U	10
3/8	3/8	1.654	0.984	0.071	564788	QBC-3/8H-U	10
1/2	1/2	1.811	1.102	0.106	564789	QBC-1/2H-U	10

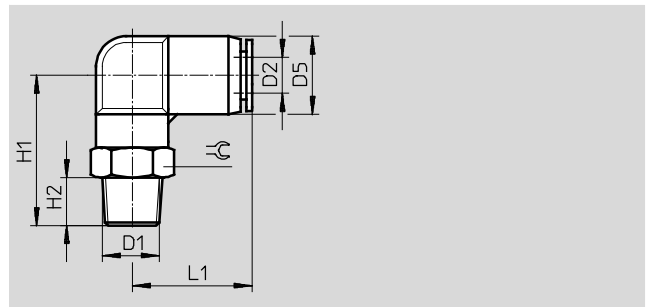
1) Packaging unit

Push-in fittings QB, Quick Basic, NPT

Technical data

Push-in L-fitting QBL

Male thread
with external hex



Dimensions and ordering data											
Connection	Nominal size	Tubing O.D.	D5 ∅	H1	H2	L1	≅	Weight/piece	Part No.	Type	PU ¹⁾
D1	[inch]	D2						[oz]			
UNF thread											
10-32	0.098	5/32	0.413	0.8427	0.142	0.7225	3/8	0.286	533286	QBL-10-32-UNF-5/32-U	10
	0.118	3/16	0.453	0.9211	0.142	0.7265	7/16	0.310	533287	QBL-10-32-UNF-3/16-U	10
	0.098	1/4	0.512	1.0196	0.142	0.7870	1/2	0.476	533288	QBL-10-32-UNF-1/4-U	10
NPT thread											
1/8	0.118	5/32	0.413	0.9842	0.335	0.7225	7/16	0.370	533290	QBL-1/8-5/32-U	10
	0.118	3/16	0.453	0.9841	0.335	0.7265	7/16	0.392	533291	QBL-1/8-3/16-U	10
	0.177	1/4	0.512	1.0944	0.335	0.7870	1/2	0.568	533292	QBL-1/8-1/4-U	10
	0.236	5/16	0.571	1.1574	0.335	0.9075	9/16	0.677	533293	QBL-1/8-5/16-U	10
	0.197	3/8	0.689	1.1791	0.335	0.9275	11/16	0.854	567777	QBL-1/8-3/8-U	10
1/4	0.118	5/32	0.413	1.1006	0.413	0.7225	9/16	0.593	567776	QBL-1/4-5/32-U	10
	0.118	3/16	0.453	1.1022	0.413	0.7265	9/16	0.628	533294	QBL-1/4-3/16-U	10
	0.177	1/4	0.512	1.2007	0.413	0.7870	9/16	0.681	533295	QBL-1/4-1/4-U	10
	0.236	5/16	0.571	1.2362	0.413	0.9075	9/16	0.769	533296	QBL-1/4-5/16-U	10
	0.315	3/8	0.689	1.2598	0.413	0.9275	11/16	1.051	533297	QBL-1/4-3/8-U	5
	0.315	1/2	0.827	1.3975	0.413	1.0745	3/4	1.270	567775	QBL-1/4-1/2-U	5
3/8	0.118	3/16	0.453	0.9822	0.335	0.7265	7/16	0.342	567763	QBL-3/8-3/16-U	10
	0.177	1/4	0.512	1.2401	0.453	0.7870	11/16	1.016	533298	QBL-3/8-1/4-U	5
	0.236	5/16	0.571	1.2755	0.453	0.9075	11/16	1.048	533299	QBL-3/8-5/16-U	5
	0.315	3/8	0.689	1.2992	0.453	0.9275	11/16	1.203	533300	QBL-3/8-3/8-U	5
	0.394	1/2	0.827	1.4369	0.453	1.0745	3/4	1.520	533301	QBL-3/8-1/2-U	5
1/2	0.315	3/8	0.689	1.4173	0.571	0.9275	7/8	1.919	533302	QBL-1/2-3/8-U	5
	0.394	1/2	0.827	1.5550	0.571	1.0745	7/8	1.997	533303	QBL-1/2-1/2-U	5

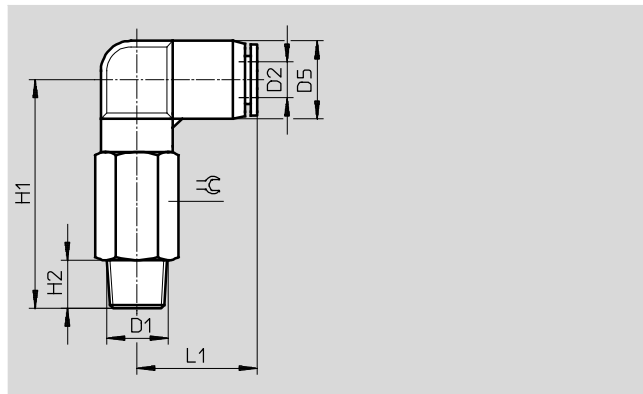
1) Packaging unit

Push-in fittings QB, Quick Basic, NPT

Technical data

Push-in L-fitting (long) QBLL

Male thread
with external hex



Dimensions and ordering data											
Connection	Nominal size	Tubing O.D.	D5	H1	H2	L1	⌀	Weight/ piece	Part No.	Type	PU ¹⁾
D1	[inch]	D2	∅					[oz]			
1/8	0.118	5/32	0.413	1.415	0.335	0.726	7/16	0.628	564668	QBLL-1/8-5/32-U	10
	0.118	3/16	0.453	1.415	0.335	0.726	7/16	0.624	564669	QBLL-1/8-3/16-U	10
	0.177	1/4	0.512	1.614	0.335	0.787	1/2	1.012	564670	QBLL-1/8-1/4-U	10
	0.236	5/16	0.583	1.751	0.335	0.894	9/16	1.259	564671	QBLL-1/8-5/16-U	10
1/4	0.118	5/32	0.413	1.474	0.413	0.726	9/16	1.122	564672	QBLL-1/4-5/32-U	10
	0.118	3/16	0.453	1.474	0.413	0.726	9/16	1.118	564673	QBLL-1/4-3/16-U	10
	0.177	1/4	0.512	1.732	0.413	0.787	9/16	1.224	564674	QBLL-1/4-1/4-U	10
	0.236	5/16	0.583	1.831	0.413	0.894	9/16	1.400	564675	QBLL-1/4-5/16-U	10
	0.276	3/8	0.689	1.967	0.413	0.928	11/16	2.265	564676	QBLL-1/4-3/8-U	5
0.315	1/2	0.827	2.263	0.413	1.075	3/4	3.139	564677	QBLL-1/4-1/2-U	5	
3/8	0.118	3/16	0.453	1.534	0.453	0.726	11/16	1.400	567766	QBLL-3/8-3/16-U	10
	0.177	1/4	0.512	1.772	0.453	0.787	11/16	1.753	564678	QBLL-3/8-1/4-U	10
	0.236	5/16	0.583	1.989	0.453	0.894	11/16	2.106	564679	QBLL-3/8-5/16-U	5
	0.276	3/8	0.689	2.006	0.453	0.928	11/16	2.441	564680	QBLL-3/8-3/8-U	5
	0.354	1/2	0.827	2.303	0.453	1.075	3/4	4.198	564681	QBLL-3/8-1/2-U	5
1/2	0.276	3/8	0.689	2.125	0.571	0.928	7/8	3.499	564682	QBLL-1/2-3/8-U	5
	0.354	1/2	0.827	2.422	0.571	1.075	7/8	5.609	564683	QBLL-1/2-1/2-U	5

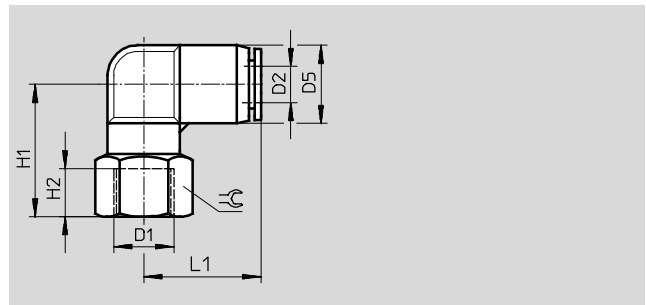
1) Packaging unit

Push-in fittings QB, Quick Basic, NPT

Technical data

Push-in L-fitting QBLF

Female thread
with external hex



Dimensions and ordering data											
Connection	Nominal size	Tubing O.D.	D5	H1	H2	L1	⌀	Weight/ piece	Part No.	Type	PU ¹⁾
D1	[inch]	D2	∅					[oz]			
UNF thread											
10-32	0.118	1/4	0.512	0.8270	0.197	0.787	1/2	0.413	567764	QBLF-10-32-UNF-1/4-U	10
	0.098	5/32	0.413	0.8445	0.276	0.7265	7/16	0.275	567765	QBLF-10-32-UNF-5/32-U	10
NPT thread											
1/8	0.098	5/32	0.413	0.8845	0.354	0.7265	9/16	0.557	564653	QBLF-1/8-5/32-U	10
	0.098	3/16	0.453	0.8835	0.354	0.7265	9/16	0.554	564654	QBLF-1/8-3/16-U	10
	0.157	1/4	0.512	0.9840	0.354	0.7870	9/16	0.73	564655	QBLF-1/8-1/4-U	10
	0.236	5/16	0.583	1.0235	0.354	0.8935	9/16	0.66	564656	QBLF-1/8-5/16-U	10
1/4	0.098	5/32	0.413	0.8845	0.433	0.7265	11/16	0.698	564657	QBLF-1/4-5/32-U	10
	0.098	3/16	0.453	0.9625	0.433	0.7265	11/16	0.695	564658	QBLF-1/4-3/16-U	10
	0.157	1/4	0.512	1.0830	0.433	0.7870	11/16	0.801	564659	QBLF-1/4-1/4-U	10
	0.236	5/16	0.583	1.1025	0.433	0.8935	11/16	0.907	564660	QBLF-1/4-5/16-U	5
	0.276	3/8	0.689	1.1205	0.433	0.9275	11/16	1.136	564661	QBLF-1/4-3/8-U	5
3/8	0.157	1/4	0.512	1.1020	0.472	0.7870	7/8	0.871	564662	QBLF-3/8-1/4-U	10
	0.236	5/16	0.583	1.1415	0.472	0.8935	7/8	1.012	564663	QBLF-3/8-5/16-U	5
	0.276	3/8	0.689	1.1595	0.472	0.9275	7/8	1.277	564664	QBLF-3/8-3/8-U	5
	0.354	1/2	0.827	1.2995	0.472	1.0745	7/8	2.011	564665	QBLF-3/8-1/2-U	5
1/2	0.276	3/8	0.689	1.2385	0.571	0.9275	15/16	1.439	564666	QBLF-1/2-3/8-U	5
	0.354	1/2	0.827	1.3775	0.571	1.0745	15/16	2.646	564667	QBLF-1/2-1/2-U	5

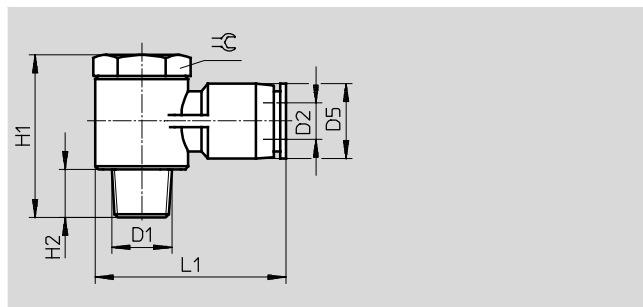
1) Packaging unit

Push-in fittings QB, Quick Basic, NPT

Technical data

Push-in L-fitting QBLV

Male thread
with external hex



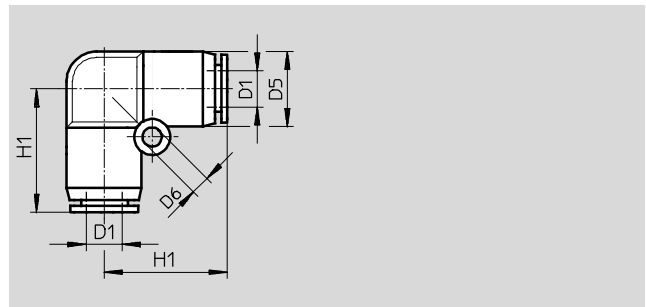
Dimensions and ordering data											
Connection	Nominal size	Tubing O.D.	D5	H1	H2	L1	⌀	Weight/ piece	Part No.	Type	PU ¹⁾
D1	[inch]	D2	∅					[oz]			
UNF thread											
10-32	0.059	1/8	0.307	0.717	0.142	0.846	5/16	0.247	564727	QBLV-10-32-UNF-1/8-U	10
	0.059	5/32	0.413	0.717	0.142	1.039	5/16	0.275	564728	QBLV-10-32-UNF-5/32-U	10
	0.059	3/16	0.453	0.717	0.142	1.051	5/16	0.271	564729	QBLV-10-32-UNF-3/16-U	10
	0.059	1/4	0.512	0.717	0.142	1.130	5/16	0.307	564730	QBLV-10-32-UNF-1/4-U	10
NPT thread											
1/8	0.118	5/32	0.413	0.984	0.295	1.209	7/16	0.840	564731	QBLV-1/8-5/32-U	10
	0.118	3/16	0.453	0.984	0.295	1.240	7/16	0.836	564732	QBLV-1/8-3/16-U	10
	0.118	1/4	0.512	0.984	0.295	1.26	7/16	0.836	564733	QBLV-1/8-1/4-U	10
	0.118	5/16	0.571	0.984	0.295	1.323	7/16	1.224	564734	QBLV-1/8-5/16-U	10
1/4	0.126	5/32	0.413	1.134	0.394	1.362	5/16	1.051	564735	QBLV-1/4-5/32-U	10
	0.138	3/16	0.453	1.134	0.394	1.394	19/32	1.048	564736	QBLV-1/4-3/16-U	10
	0.177	1/4	0.512	1.134	0.394	1.413	19/32	1.259	564737	QBLV-1/4-1/4-U	10
	0.177	5/16	0.571	1.134	0.394	1.476	19/32	1.295	564738	QBLV-1/4-5/16-U	10
	0.177	3/8	0.689	1.134	0.394	1.575	19/32	2.088	564739	QBLV-1/4-3/8-U	5
3/8	0.138	3/16	0.453	1.327	0.476	1.539	3/4	1.330	564741	QBLV-3/8-3/16-U	10
	0.236	1/4	0.512	1.327	0.476	1.559	3/4	1.577	564740	QBLV-3/8-1/4-U	5
	0.236	5/16	0.571	1.327	0.476	1.606	3/4	2.106	564742	QBLV-3/8-5/16-U	5
	0.236	3/8	0.689	1.327	0.476	1.650	3/4	3.146	564743	QBLV-3/8-3/8-U	5
	0.236	1/2	0.819	1.327	0.476	1.780	3/4	2.293	564744	QBLV-3/8-1/2-U	5
1/2	0.256	5/16	0.571	1.551	0.579	1.823	15/16	3.411	564745	QBLV-1/2-5/16-U	5
	0.276	3/8	0.689	1.551	0.579	1.858	15/16	3.499	564746	QBLV-1/2-3/8-U	5
	0.315	1/2	0.819	1.551	0.579	1.984	15/16	3.845	564747	QBLV-1/2-1/2-U	5

1) Packaging unit

Push-in fittings QB, Quick Basic, NPT

Technical data

Push-in L-connector QBL-...T



Dimensions and ordering data								
Tubing O.D.	Nominal size	D5	D6	H1	Weight/ piece	Part No.	Type	PU ¹⁾
D1	[inch]	∅	∅		[oz]			
5/32	0.118	0.413	0.130	0.7420	0.162	564760	QBL-5/32T-U	10
3/16	0.138	0.453	0.138	0.7820	0.155	564761	QBL-3/16T-U	10
1/4	0.189	0.512	0.138	0.8380	0.261	564762	QBL-1/4T-U	10
5/16	0.276	0.571	0.169	0.9465	0.332	564763	QBL-5/16T-U	10
3/8	0.315	0.689	0.177	1.0095	0.508	564764	QBL-3/8T-U	10
1/2	0.354	0.827	0.177	1.1890	0.776	564765	QBL-1/2T-U	5

1) Packaging unit

Push-in fittings QB, Quick Basic, NPT

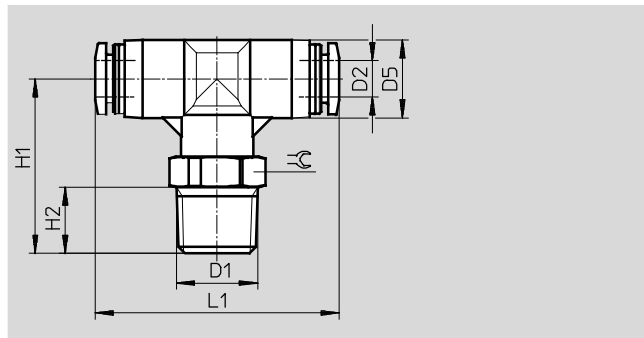
Technical data

Push-in T-fitting QBT

Male thread
with external hex



NPT thread



Dimensions and ordering data											
Connection	Nominal size	Tubing O.D.	D5	H1	H2	L1	⌀	Weight/ piece	Part No.	Type	PU ¹⁾
D1	[inch]	D2	∅					[oz]			
UNF thread											
10-32	0.098	5/32	0.413	0.843	0.142	1.469	3/8	0.303	533305	QBT-10-32-UNF-5/32-U	10
	0.118	3/16	0.453	0.921	0.142	1.504	7/16	0.335	533306	QBT-10-32-UNF-3/16-U	10
	0.098	1/4	0.512	1.020	0.142	1.606	1/2	0.504	533307	QBT-10-32-UNF-1/4-U	10
NPT thread											
1/8	0.118	5/32	0.413	0.984	0.335	1.469	7/16	0.392	533309	QBT-1/8-5/32-U	10
	0.118	3/16	0.453	0.984	0.335	1.504	7/16	0.420	533310	QBT-1/8-3/16-U	10
	0.177	1/4	0.512	1.095	0.335	1.606	1/2	0.596	533311	QBT-1/8-1/4-U	10
	0.236	5/16	0.571	1.158	0.335	1.756	9/16	0.698	533312	QBT-1/8-5/16-U	10
	0.197	3/8	0.689	1.1791	0.335	1.866	11/16	1.213	567767	QBT-1/8-3/8-U	5
1/4	0.118	5/32	0.413	1.101	0.413	1.469	9/16	0.550	567778	QBT-1/4-5/32-U	10
	0.118	3/16	0.453	1.102	0.413	1.504	9/16	0.653	533313	QBT-1/4-3/16-U	10
	0.177	1/4	0.512	1.201	0.413	1.606	9/16	0.709	533314	QBT-1/4-1/4-U	5
	0.236	5/16	0.571	1.236	0.413	1.756	9/16	0.790	533315	QBT-1/4-5/16-U	5
	0.315	3/8	0.689	1.260	0.413	1.878	11/16	1.090	533316	QBT-1/4-3/8-U	-
3/8	0.315	1/2	0.827	1.398	0.413	2.224	3/4	1.587	567768	QBT-1/4-1/2-U	5
	0.118	3/16	0.453	1.140	0.453	1.512	11/16	0.684	567769	QBT-3/8-3/16-U	10
	0.177	1/4	0.512	1.240	0.453	1.606	9/16	1.044	533317	QBT-3/8-1/4-U	5
	0.236	5/16	0.571	1.276	0.453	1.756	11/16	1.104	533318	QBT-3/8-5/16-U	5
	0.315	3/8	0.689	1.299	0.453	1.878	11/16	1.249	533319	QBT-3/8-3/8-U	5
1/2	0.394	1/2	0.827	1.437	0.453	2.245	3/4	1.605	533320	QBT-3/8-1/2-U	1
	0.315	3/8	0.689	1.417	0.571	1.878	7/8	1.965	533321	QBT-1/2-3/8-U	5
	0.394	1/2	0.827	1.555	0.571	2.245	7/8	2.078	533322	QBT-1/2-1/2-U	1

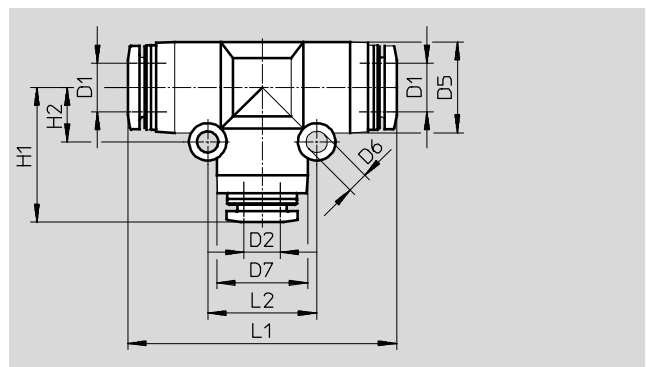
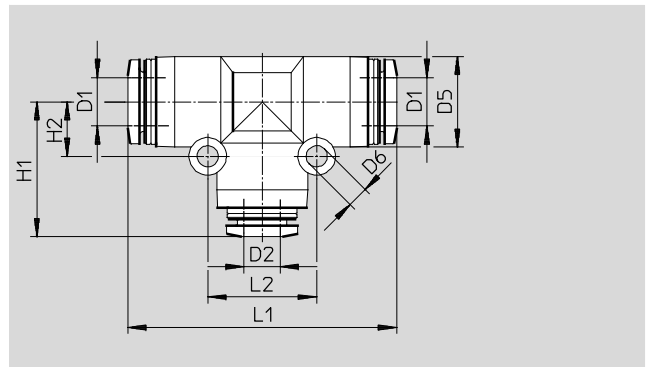
1) Packaging unit

Push-in fittings QB, Quick Basic, NPT

Technical data



Push-in T-connector QBT-...T



Dimensions and ordering data													
Tubing O.D.	Nominal size [inch]	Tubing O.D.	D5 ∅	D6 ∅	D7	H1	H2	L1	L2	Weight/ piece [oz]	Part No.	Type	PU ¹⁾
D1		D2											
5/32	0.118	5/32	0.413	0.130	–	0.7384	0.248	1.429	0.496	0.226	564766	QBT-5/32T-U	10
3/16	0.138	3/16	0.453	0.138	–	0.7814	0.295	1.567	0.591	0.215	564767	QBT-3/16T-U	10
1/4	0.189	1/4	0.512	0.138	–	0.8385	0.323	1.677	0.650	0.356	564768	QBT-1/4T-U	10
5/16	0.256	5/16	0.571	0.169	–	0.935	0.350	1.795	0.701	0.462	564769	QBT-5/16T-U	10
3/8	0.315	3/8	0.689	0.177	–	1.088	0.433	2.024	0.866	0.691	564770	QBT-3/8T-U	5
1/2	0.354	1/2	0.827	0.177	–	1.889	0.500	2.382	1.004	1.093	564771	QBT-1/2T-U	5
Reducing													
1/4	0.126	5/32	0.512	0.169	0.413	0.7870	0.323	1.589	0.571	0.289	564805	QBT-1/4T-5/32-U	10
5/16	0.197	1/4	0.583	0.177	0.512	0.8895	0.382	1.815	0.689	0.392	564806	QBT-5/16T-1/4-U	10
3/8	0.197	1/4	0.689	0.177	0.512	0.9195	0.433	1.906	0.689	0.603	564807	QBT-3/8T-1/4-U	10
	0.256	5/16	0.689	0.169	0.571	0.9905	0.429	1.945	0.740	0.638	564808	QBT-3/8T-5/16-U	10
1/2	0.315	3/8	0.827	0.177	0.689	1.0315	0.500	2.303	0.866	0.889	564809	QBT-1/2T-3/8-U	5

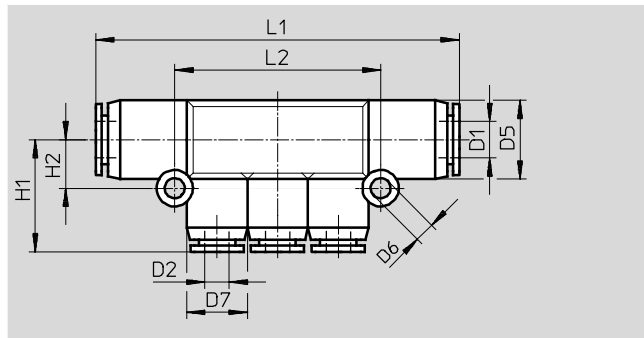
1) Packaging unit

Push-in fittings QB, Quick Basic, NPT

Technical data

Multiple distributor QBT3-...T

3 outlets



Dimensions and ordering data													
Tubing O.D.	Nominal size	Tubing O.D.	D5	D6	D7	H1	H2	L1	L2	Weight/ piece	Part No.	Type	PU ¹⁾
D1	[inch]	D2	∅	∅	∅					[oz]			
3/16	0.126	5/32	0.453	0.177	0.413	0.8085	0.315	2.386	1.417	0.850	567786	QBT3-3/16T-5/32-U	5
1/4	0.126	5/32	0.512	0.177	0.413	0.8070	0.343	2.425	1.417	0.850	564791	QBT3-1/4T-5/32-U	5
5/16	0.126	5/32	0.571	0.169	0.413	0.8205	0.358	2.614	1.370	1.732	564792	QBT3-5/16T-5/32-U	5
	0.197	1/4	0.571	0.177	0.512	0.8915	0.382	2.862	1.713	1.721	564794	QBT3-5/16T-1/4-U	5
3/8	0.197	1/4	0.689	0.177	0.512	0.9185	0.433	2.913	1.713	1.880	564795	QBT3-3/8T-1/4-U	5
	0.260	5/16	0.689	0.169	0.571	1.0245	0.374	3.291	1.850	1.880	564796	QBT3-3/8T-5/16-U	5

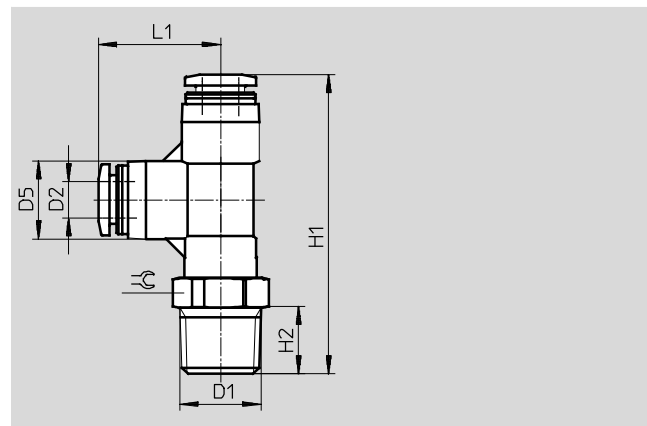
1) Packaging unit

Push-in fittings QB, Quick Basic, NPT

Technical data

Push-in T-fitting QBTL

Male thread
with external hex



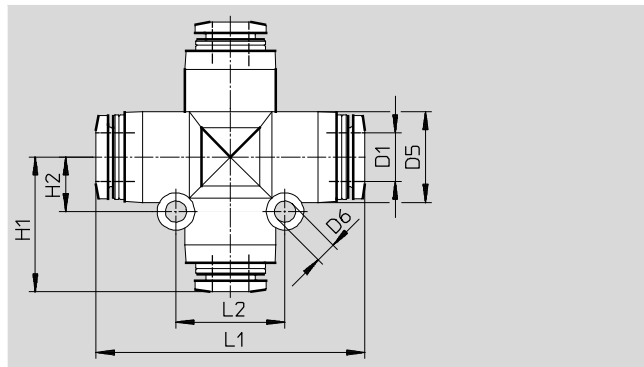
Dimensions and ordering data											
Connection	Nominal size	Tubing O.D.	D5	H1	H2	L1	⌀	Weight/ piece	Part No.	Type	PU ¹⁾
D1	[inch]	D2	∅					[oz]			
UNF thread											
10-32	0.098	5/32	0.417	1.6535	0.142	0.7715	7/16	0.339	564706	QBTL-10-32-UNF-5/32-U	10
	0.118	3/16	0.453	1.6378	0.142	0.794	7/16	0.332	564707	QBTL-10-32-UNF-3/16-U	10
	0.098	1/4	0.512	1.8661	0.142	0.846	1/2	0.508	564708	QBTL-10-32-UNF-1/4-U	10
NPT thread											
1/8	0.118	5/32	0.417	1.8307	0.335	0.7715	7/16	0.409	564709	QBTL-1/8-5/32-U	10
	0.118	3/16	0.453	1.7795	0.335	0.7940	7/16	0.402	564710	QBTL-1/8-3/16-U	10
	0.177	1/4	0.512	1.9409	0.335	0.8460	1/2	0.578	564711	QBTL-1/8-1/4-U	10
	0.236	5/16	0.591	2.1260	0.335	0.9370	9/16	0.790	564712	QBTL-1/8-5/16-U	10
	0.197	3/8	0.689	2.2520	0.335	1.0095	11/16	1.213	564713	QBTL-1/8-3/8-U	5
1/4	0.118	5/32	0.417	1.9134	0.413	0.7715	9/16	0.550	564714	QBTL-1/4-5/32-U	10
	0.118	3/16	0.453	1.8976	0.413	0.7940	9/16	0.543	564715	QBTL-1/4-3/16-U	10
	0.177	1/4	0.512	2.0472	0.413	0.8460	9/16	0.790	564716	QBTL-1/4-1/4-U	10
	0.236	5/16	0.591	2.2047	0.413	0.9370	9/16	0.931	564717	QBTL-1/4-5/16-U	10
	0.276	3/8	0.689	2.3307	0.413	1.0095	11/16	1.355	564718	QBTL-1/4-3/8-U	5
	0.315	1/2	0.827	2.5866	0.413	1.1885	3/4	1.587	564719	QBTL-1/4-1/2-U	5
3/8	0.118	3/16	0.453	1.9370	0.453	0.7940	11/16	0.684	564721	QBTL-3/8-3/16-U	10
	0.177	1/4	0.512	2.0866	0.453	0.8460	11/16	1.496	564720	QBTL-3/8-1/4-U	10
	0.236	5/16	0.591	2.4410	0.453	0.9370	11/16	1.072	564722	QBTL-3/8-5/16-U	10
	0.276	3/8	0.689	2.3701	0.453	1.0095	11/16	1.531	564723	QBTL-3/8-3/8-U	5
	0.394	1/2	0.827	2.6260	0.453	1.1885	3/4	1.905	564724	QBTL-3/8-1/2-U	5
1/2	0.276	3/8	0.689	2.4803	0.571	1.0095	7/8	2.060	564725	QBTL-1/2-3/8-U	5
	0.394	1/2	0.827	2.7441	0.571	1.1885	7/8	2.610	564726	QBTL-1/2-1/2-U	5

1) Packaging unit

Push-in fittings QB, Quick Basic, NPT

Technical data

Push-in X-connector QBX-...T



Dimensions and ordering data										
Tube O.D. D1	Nominal size [inch]	D5 Ø	D6 Ø	H1	L1	L2	Weight/ piece [oz]	Part No.	Type	PU ¹⁾
5/32	0.102	0.413	0.130	0.7069	1.413	0.500	0.289	564778	QBX-5/32T-U	10
3/16	0.138	0.453	0.138	0.7814	1.567	0.591	0.275	564779	QBX-3/16T-U	10
1/4	0.197	0.512	0.130	0.8385	1.677	0.642	0.381	564780	QBX-1/4T-U	10
5/16	0.236	0.571	0.165	0.8956	1.795	0.717	0.557	564781	QBX-5/16T-U	5
3/8	0.276	0.689	0.169	0.9508	1.906	0.799	0.945	564782	QBX-3/8T-U	5
1/2	0.354	0.827	0.169	1.1889	2.382	0.996	1.305	564783	QBX-1/2T-U	5

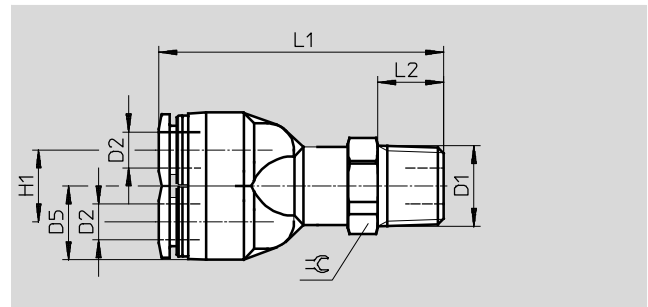
1) Packaging unit

Push-in fittings QB, Quick Basic, NPT

Technical data

Push-in Y-fitting, QBY

Male thread
with external hex



Dimensions and ordering data											
Connection	Nominal size	Tubing O.D.	D5	H1	L1	L2	⌀	Weight/ piece	Part No.	Type	PU ¹⁾
D1	[inch]	D2	∅					[oz]			
UNF thread											
10-32	0.098	5/32	0.413	0.413	1.591	0.142	7/16	0.374	564684	QBY-10-32-UNF-5/32-U	10
	0.118	3/16	0.453	0.453	1.650	0.142	7/16	0.367	564685	QBY-10-32-UNF-3/16-U	10
	0.098	1/4	0.512	0.512	1.803	0.142	1/2	0.543	564686	QBY-10-32-UNF-1/4-U	10
NPT thread											
1/8	0.118	5/32	0.413	0.413	1.732	0.335	7/16	0.409	564687	QBY-1/8-5/32-U	10
	0.118	3/16	0.453	0.453	1.791	0.335	7/16	0.402	564688	QBY-1/8-3/16-U	10
	0.177	1/4	0.512	0.512	1.878	0.335	1/2	0.649	564689	QBY-1/8-1/4-U	10
	0.236	5/16	0.571	0.571	1.941	0.335	9/16	0.684	564690	QBY-1/8-5/16-U	10
	0.197	3/8	0.693	0.693	2.071	0.335	11/16	1.002	564691	QBY-1/8-3/8-U	5
1/4	0.118	5/32	0.413	0.413	1.850	0.413	9/16	0.621	564692	QBY-1/4-5/32-U	10
	0.118	3/16	0.453	0.453	1.909	0.413	9/16	0.614	564693	QBY-1/4-3/16-U	10
	0.177	1/4	0.512	0.512	1.984	0.413	9/16	0.684	564694	QBY-1/4-1/4-U	10
	0.236	5/16	0.571	0.571	2.020	0.413	9/16	1.002	564695	QBY-1/4-5/16-U	10
	0.276	3/8	0.693	0.693	2.150	0.413	11/16	1.284	564696	QBY-1/4-3/8-U	5
	0.276	1/2	0.827	0.827	2.539	0.413	3/4	2.046	564697	QBY-1/4-1/2-U	5
3/8	0.118	3/16	0.453	0.453	1.949	0.453	11/16	0.684	564699	QBY-3/8-3/16-U	10
	0.177	1/4	0.512	0.512	2.024	0.453	11/16	1.108	564698	QBY-3/8-1/4-U	10
	0.236	5/16	0.571	0.571	2.059	0.453	11/16	1.037	564700	QBY-3/8-5/16-U	10
	0.276	3/8	0.693	0.693	2.189	0.453	11/16	1.355	564701	QBY-3/8-3/8-U	5
	0.276	1/2	0.827	0.827	2.579	0.453	3/4	2.399	564702	QBY-3/8-1/2-U	5
1/2	0.236	5/16	0.571	0.571	2.177	0.571	7/8	1.743	564703	QBY-1/2-5/16-U	5
	0.276	3/8	0.693	0.693	2.307	0.571	7/8	2.060	564704	QBY-1/2-3/8-U	5
	0.276	1/2	0.827	0.827	2.697	0.571	7/8	2.751	564705	QBY-1/2-1/2-U	5

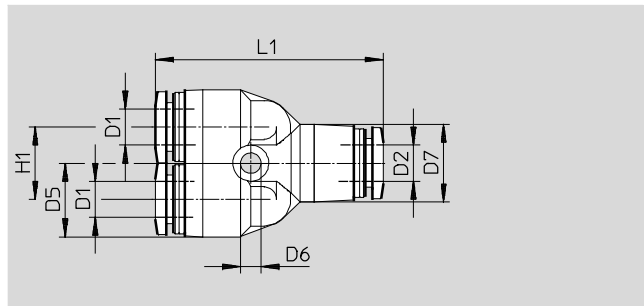
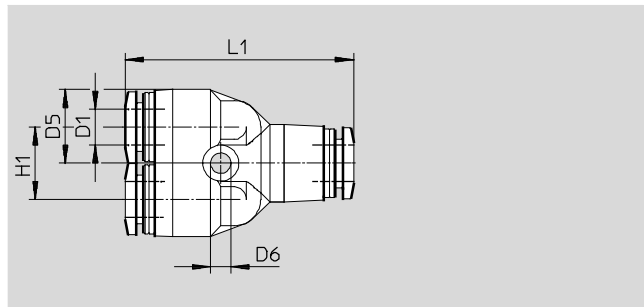
1) Packaging unit

Push-in fittings QB, Quick Basic, NPT

Technical data

FESTO

Push-in Y-connector QBY-...T



Dimensions and ordering data											
Tubing O.D. D1	Nominal size [inch]	Tubing O.D. D2	D5 Ø	D6 Ø	D7 Ø	H1	L1	Weight/ piece [oz]	Part No.	Type	PU ¹⁾
5/32	0.098	-	0.413	0.130	-	0.413	1.4291	0.261	564772	QBY-5/32T-U	10
3/16	0.118	-	0.453	0.130	-	0.453	1.4724	0.250	564773	QBY-3/16T-U	10
1/4	0.157	-	0.512	0.130	-	0.512	1.5669	0.321	564774	QBY-1/4T-U	10
5/16	0.268	-	0.575	0.169	-	0.575	1.7362	0.462	564775	QBY-5/16T-U	10
3/8	0.315	-	0.689	0.177	-	0.689	1.8465	0.691	564776	QBY-3/8T-U	5
1/2	0.406	-	0.827	0.177	-	0.827	2.1457	1.023	564777	QBY-1/2T-U	5
Reducing											
3/16	0.130	5/32	0.413	0.130	0.453	0.413	1.4567	0.293	564818	QBY-3/16T-5/32-U	10
1/4	0.130	5/32	0.413	0.130	0.512	0.413	1.4961	0.293	564819	QBY-1/4T-5/32-U	10
	0.131	3/16	0.413	0.130	0.583	0.413	1.5630	0.328	564820	QBY-1/4T-3/16-U	10
5/16	0.157	5/32	0.453	0.130	0.512	0.453	1.5276	0.286	564821	QBY-5/16T-5/32-U	10
	0.197	1/4	0.512	0.130	0.583	0.512	1.6693	0.427	564822	QBY-5/16T-1/4-U	10
3/8	0.197	1/4	0.512	0.130	0.689	0.512	1.6969	0.515	564823	QBY-3/8T-1/4-U	10
	0.276	5/16	0.575	0.169	0.689	0.575	1.7638	0.586	564824	QBY-3/8T-5/16-U	10
1/2	0.252	5/16	0.583	0.748	0.827	0.575	1.8898	0.649	564826	QBY-1/2T-5/16-U	5
	0.276	3/8	0.689	0.776	0.827	0.689	1.9961	0.924	564825	QBY-1/2T-3/8-U	5

1) Packaging unit