

Push-in fittings NPQH



Push-in fittings NPQH

Key features

Application



Effortless selection of the right fitting. Quick Star offers a secure solution for every connection. The convenient push-in fitting system includes well over 1000 types of standard and function fittings.

| Overview of tubing/fitting combination | | | |
|--|------------|----------|--|
| Applications | Fitting | Tubing | Description |
| Economical | QS, QS-B | PEN | The universal combination at an attractive price. Can be widely used thanks to resistant materials. Easy to install thanks to optimised bending radii. Limited reset effect. |
| | NPQM | PEN | Attractively priced: the universal solution for metal fittings. Perfect for standard pneumatic applications – in many different fields. |
| Wide range of variants | QS, QS-B | PUN | Over 1000 types for maximum flexibility in standard applications. |
| Hydrolysis resistant | NPQP | PUN-H | For applications in damp environments or in contact with water at up to 60 °C. PUN-H - microbe-resistant thanks to modified plastic. |
| Resistant to pressure | QS, NPQH | PAN | Secure connection when used with pressure ranges of up to 14 bar. Economical for pneumatic installations in the high pressure ranges. |
| | NPQH | PAN-R | The powerful combination for applications involving pressure ranges up to 16 bar: For example, for applications with the pressure booster DPA. |
| | NPQH, NPQM | PAN-MF | Robust, flexible and reliable connection for the automotive industry. Fulfils the requirements according to DIN 73378. |
| Heat resistant | NPQH | PFAN | For reliable compressed air supply in high temperature ranges. Whether with 10 bar at 80 °C or 6 bar at 150 °C – always delivers maximum process security. |
| Anti-static | NPQM | PUN-CM | Electrically conductive tubing combined with a solid-metal fitting |
| Approved for the food industry | NPQP | PUN-H | Food and Drug Administration certification for use in the food industry: The hydrolysis-resistant combination with increased functions. |
| | CRQS | PFAN | Designed to meet the highest demands, thanks to maximum corrosion protection: This combination shines in applications which require the highest possible hygiene standards for food. |
| Resistant to cleaning agents | NPQH, NPQP | PLN | The cost-effective alternative to stainless steel, perfect for e.g. critical environments such as the splash zone: resistant to practically all common cleaning agents, with maximum corrosion protection. |
| Resistant to media | CRQS | PFAN | Completely resistant to all cleaning agents and lubricants and even permits the transportation of acids and lyes without any problems. |
| Flame-retardant | NPQH, NPQM | PUN-V0 | Safe in areas where there is a risk of fire thanks to flame-retardant properties to UL94. |
| Resistant to welding spatter | NPQH, NPQM | PUN-V0-C | The economical combination for applications not in close proximity to welding applications. Reliable thanks to a tubing wall thickness of 2 mm for all diameters. |
| | QS-V0 | PAN-V0 | Also reliable for applications in direct proximity to welding splatter. Double-sheathed tube and special fitting. |

Push-in fittings NPQH

Key features

Push-in fittings product range

QSM, Quick Star, Mini



Technical data → Internet: qsm

Miniature push-in fittings for maximum component density in confined spaces. For pneumatic applications with a temperature range up to 80 °C and a pressure range up to 14 bar. Tubing O.D.∅ of 2, 3, 4 and 6 mm with connecting threads M3, M5, M6, M7, R1/8 and G1/8.

QS, Quick Star, standard



Technical data → Internet: qs

Wide selection of push-in fittings for pneumatic applications with a temperature range up to 80 °C and a pressure range up to 14 bar. Tubing O.D.∅ of 4, 6, 8, 10, 12 and 16 mm with connecting threads R1/8 ... R1/2 and G1/8 ... G1/2.

QSM-B, Quick Star, Mini



Technical data → Internet: qsm-b

Miniature push-in fittings for maximum component density in confined spaces. For core pneumatic applications with a temperature range up to 60 °C and a pressure range up to 10 bar. Tubing O.D.∅ of 3, 4 and 6 mm with connecting threads M3, M5, M7 and R1/8.

QS-B, Quick Star, standard



Technical data → Internet: qs-b

Push-in fittings for core pneumatic applications with a temperature range up to 60 °C and a pressure range up to 10 bar. Tubing O.D.∅ of 4, 6, 8, 10, 12 and 16 mm with connecting threads M5 and R1/8 ... R1/2.

CRQS, Quick Star, stainless steel



Technical data → Internet: crqs

Stainless steel push-in fitting. High corrosion resistance (CRC4) and chemical resistance with approval for use in the food and packaging industry. For pneumatic applications with a temperature range up to 120 °C and a pressure range up to 10 bar. Tubing O.D.∅ of 4, 6, 8, 10, 12 and 16 mm with connecting threads M5 and R1/8 ... R1/2 .

QS-V0, Quick Star, flame-retardant



Technical data → Internet: qs-v0

Flame-retardant push-in fitting for use in all areas where there is a risk of fire, for example welding systems in the automotive industry and in the construction industry. For pneumatic applications with a temperature range up to 60 °C and a pressure range up to 10 bar. Tubing O.D.∅ of 4, 6, 8, 10 and 12 mm with connecting threads R1/8 ... R1/2 and G1/8 ... G1/2 .

Push-in fittings NPQH

Key features

Push-in fittings product range

NPQH

Technical data → Internet: npqh



All metal push-in fitting made of chemically nickel-plated brass. High corrosion resistance (CRC3) and chemical resistance with approval for use in the food and packaging industry. For pneumatic applications with a temperature range up to 150 °C and a pressure range up to 16 bar.
Tubing O.D.∅ of 4, 6, 8, 10, 12 and 14 mm with connecting threads M5, M7 and G $\frac{1}{8}$... G $\frac{1}{2}$.

NPQM

Technical data → Internet: npqm



Attractively priced metal push-in fitting for pneumatic applications with a temperature range up to 70 °C and a pressure range up to 16 bar.
Tubing O.D.∅ of 3, 4, 6, 8, 10, 12 and 14 mm with connecting threads M5, M7 and G $\frac{1}{8}$... G $\frac{1}{2}$.

NPQP

Technical data → Internet: npqp



Polypropylene fitting for use in applications with extreme media influences. For pneumatic applications with a temperature range up to 60 °C and a pressure range up to 10 bar.
Tubing O.D.∅ of 4, 6, 8, 10 and 12 mm with connecting threads R $\frac{1}{8}$... R $\frac{1}{2}$.

Functional push-in fittings product range

QSK, Quick Star, self-sealing push-in fitting

Technical data → Internet: qsk



Push-in fitting that blocks the air flow after the tubing is disconnected. For pneumatic applications with a temperature range up to 60 °C and a pressure range up to 14 bar.
Tubing O.D.∅ of 4, 6, 8, 10 and 12 mm with connecting threads M5, R $\frac{1}{8}$... R $\frac{1}{2}$ and G $\frac{1}{8}$... G $\frac{1}{2}$.

QSR, Quick Star, rotary push-in fitting

Technical data → Internet: qsr



Push-in fitting with swivel connection, rotatable by 360°. The ball bearing enables rotating movements in the application up to max. 500 rpm. For pneumatic applications with a temperature range up to 60 °C and a pressure range up to 14 bar.
Tubing O.D.∅ of 4, 6, 8, 10 and 12 mm with connecting threads M5, R $\frac{1}{8}$... R $\frac{1}{2}$ and G $\frac{1}{8}$... G $\frac{1}{2}$.

Push-in fittings NPQH

Technical data

FESTO

| General technical data | |
|--------------------------------|--|
| Size | Standard |
| Design | Push-pull principle |
| Mounting position | Any |
| Type of seal on threaded plug | Sealing ring |
| Nominal tightening torque [Nm] | 1 (±20%) at connecting thread M5 |
| | 7 (±20%) at connecting thread G ¹ / ₈ |
| | 11 (±20%) at connecting thread G ¹ / ₄ |
| | 18 (±20%) at connecting thread G ³ / ₈ |
| Tubing insertion depth [mm] | 13 at tubing O.D.∅ 4 mm |
| | 15.8 at tubing O.D.∅ 6 mm |
| | 16 at tubing O.D.∅ 8 mm |
| | 18.3 at tubing O.D.∅ 10 mm |
| | 19.5 at tubing O.D.∅ 12 mm |
| | 22.5 at tubing O.D.∅ 14 mm |

| Operating and environmental conditions | |
|---|---|
| Operating pressure for entire temperature range [bar] | -0.95 ... +16 |
| Operating medium | Compressed air to ISO 8573-1:2010 [7:-:-] |
| Note on operating/pilot medium | Lubricated operation possible |
| Ambient temperature ¹⁾ [°C] | 0 ... +150 |
| Corrosion resistance class CRC ²⁾ | 3 |
| Suitable for use in the food industry | As per manufacturer's declaration |

1) Observe the operating range of the plastic tubing.

2) Corrosion resistance class 3 according to Festo standard 940 070

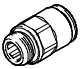



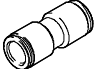
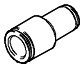
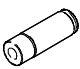
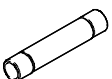
Components subject to high corrosion stress. Externally visible parts with primarily functional surface requirements which are in direct contact with a normal industrial environment or media such as solvents and cleaning agents.

| Materials | |
|---------------------|----------------------------|
| Housing | Nickel-plated brass |
| Releasing ring | Nickel-plated brass |
| Tube retaining claw | High-alloy stainless steel |
| Threaded seal | FPM |
| Tubing seal | FPM |
| Note on materials | RoHS-compliant |

| Tube assembly/dismantling | |
|--|--|
| Assembly | Dismantling |
| <p>The prerequisite for ensuring that the inside seal is securely held and protected against damage is that the tube is cut into straight lengths and deburred.</p> <ol style="list-style-type: none"> 1) Insert tubing until the end stop. It is important to ensure that the tubing is inserted into the inside | <ol style="list-style-type: none"> 1) The tubing can be detached easily by pressing and holding down the releasing ring. Remove the tubing carefully from the fitting. 2) Before re-using the tubing, remove the damaged part by cutting it off. |
| <ol style="list-style-type: none"> 2) Check that the tubing connector is securely held by pulling gently on the tube. | |

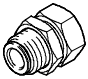

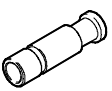

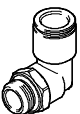
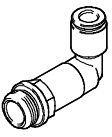
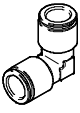
Push-in fittings NPQH

Product range overview

| Design | Version | Type | Connection D1 | | | | Connection D2 | | → Page/ Internet | | | | | |
|---|---|---------|---------------|----------|--------------|-----------------|---------------------|-----------------|---------------------|---------------------|----|---------|-------|---------|
| | | | M thread | R thread | G thread | Tubing O.D.∅ | Push-in sleeve ∅ | Tubing O.D.∅ | | Push-in sleeve ∅ | | | | |
| Straight design | Push-in fitting – external thread with external hexagon | | | | | | | | | | | | | |
| |  | NPQH-D | M5 | - | - | - | - | - | 4, 6 | - | 9 | | | |
| | | | M7 | | | | | | | | | 4, 6 | | |
| | | | - | | | | | | G1/8 | | | 4, 6, 8 | | |
| | | | | | G1/4 | | | | 6, 8, 10, 12 | | | | | |
| | | | | | G3/8 | | | | 8, 10, 12, 14 | | | | | |
| | | | | | G1/2 | | | | 10, 12, 14 | | | | | |
| | Push-in fitting – internal thread with external hexagon | | | | | | | | | | | | | |
| |  | NPQH-D | - | - | G1/8 | - | - | - | 4, 6, 8 | - | 10 | | | |
| | | | | | G1/4 | | | | 4, 6, 8 | | | | | |
| | Push-in fitting with push-in sleeve | | | | | | | | | | | | | |
| |  | NPQH-D | M5 | - | - | - | - | - | - | 4, 6 | 10 | | | |
| | | | | | G1/8 | | | | | 4, 6, 8 | | | | |
| | | | | | G1/4 | | | | | 6, 8, 10, 12 | | | | |
| | | | | | G3/8 | | | | | 10, 12 | | | | |
| | | | | | G1/2 | | | | | 12 | | | | |
| | Push-in fitting – external thread with internal hexagon | | | | | | | | | | | | | |
| |  | NPQH-DK | M5 | - | - | - | - | - | - | 4, 6 | - | 11 | | |
| | | | | | M7 | | | | | | | | | 4, 6 |
| | | | | | - | | | | | | | | G1/8 | 4, 6, 8 |
| | | | | | | | | | | G1/4 | | | 8, 10 | |
| | | | | | G3/8 | | | | | 12 | | | | |
| Push-in connector | | | | | | | | | | | | | | |
|  | NPQH-D | - | - | - | 4 | - | - | - | - | 12 | | | | |
| | | | | | 6 | | | | | | | | | |
| | | | | | 8 | | | | | | | | | |
| | | | | | 10 | | | | | | | | | |
| | | | | | 12 | | | | | | | | | |
|  | NPQH-D reducing | - | - | - | 6 | - | - | - | 4 | - | 12 | | | |
| | | | | | 8 | | | | 6 | | | | | |
| | | | | | 12 | | | | 8 | | | | | |
| | | | | | 14 | | | | 10, 12 | | | | | |
| Push-in connector with push-in sleeve | | | | | | | | | | | | | | |
|  | NPQH-D | - | - | - | 4 | - | - | - | 6 | 13 | | | | |
| | | | | | 4, 6 | | | | 8 | | | | | |
| | | | | | 4, 6, 8 | | | | 10 | | | | | |
| | | | | | 6, 8, 10 | | | | 12 | | | | | |
| | | | | | 6, 8, 10, 12 | | | | 14 | | | | | |
| Push-in sleeve | | | | | | | | | | | | | | |
|  | NPQH-D | - | - | - | - | 4 | - | - | - | 13 | | | | |
| | | | | | | 6 | | | | | | | | |
| | | | | | | 8 | | | | | | | | |
| | | | | | | 10 | | | | | | | | |
| | | | | | | 12 | | | | | | | | |
| | 14 | | | | | | | | | | | | | |

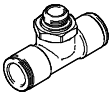
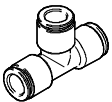
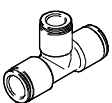
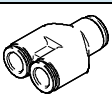
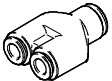
Push-in fittings NPQH

Product range overview

| Design | Version | Type | Connection D1 | | | | | Connection D2 | | → Page/ Internet |
|---|---|---------|---------------|-----------------|-----------------|-----------------|---------------------|-----------------|---------------------|---------------------|
| | | | M thread | R thread | G thread | Tubing O.D.∅ | Push-in sleeve ∅ | Tubing O.D.∅ | Push-in sleeve ∅ | |
| Straight design | Push-in bulkhead fitting – internal thread with external hexagon | | | | | | | | | |
| |  | NPQH-H | – | – | G $\frac{1}{8}$ | – | – | 4, 6, 8 | – | 14 |
| | | | | | G $\frac{1}{4}$ | | | 6, 8 | | |
| | Push-in bulkhead connector | | | | | | | | | |
| |  | NPQH-H | – | – | – | 4 | – | – | – | 14 |
| | | | | | | 6 | | | | |
| | | | | | | 8 | | | | |
| | | | | | | 10 | | | | |
| | | | | | | 12 | | | | |
| | Blanking plug | | | | | | | | | |
|  | NPQH-P | – | – | – | – | 4 | – | – | 15 | |
| | | | | | | 6 | | | | |
| | | | | | | 8 | | | | |
| | | | | | | 10 | | | | |
| | | | | | | 12 | | | | |
| | | | | | | 14 | | | | |
| Plug screw | | | | | | | | | | |
|  | NPQH-BK | M5 | – | – | – | – | – | – | 15 | |
| | | M7 | | | | | | | | |
| | | – | | | G $\frac{1}{8}$ | | | | | |
| | | | | | G $\frac{1}{4}$ | | | | | |
| | | | | | G $\frac{3}{8}$ | | | | | |
| | | | | | G $\frac{1}{2}$ | | | | | |
| L-shape | Push-in L-fitting, 360° orientable – external thread with external hexagon | | | | | | | | | |
| |  | NPQH-L | M5 | – | – | – | – | 4, 6 | – | 16 |
| | | | M7 | | | | | 4, 6 | | |
| | | | – | | | G $\frac{1}{8}$ | | 4, 6, 8 | | |
| | | | | | | G $\frac{1}{4}$ | | 6, 8, 10, 12 | | |
| | | | | | | G $\frac{3}{8}$ | | 8, 10, 12, 14 | | |
| | | | | | | G $\frac{1}{2}$ | | 10, 12, 14 | | |
| | Push-in L-fitting, long, 360° orientable – external thread with external hexagon | | | | | | | | | |
| |  | NPQH-LL | – | – | G $\frac{1}{8}$ | – | – | 4, 6, 8 | – | 17 |
| | | | | | G $\frac{1}{4}$ | | | 6, 8, 10 | | |
| | | | | G $\frac{3}{8}$ | | | 12 | | | |
| Push-in L-connector | | | | | | | | | | |
|  | NPQH-L | – | – | – | 4 | – | – | – | 17 | |
| | | | | | 6 | | | | | |
| | | | | | 8 | | | | | |
| | | | | | 10 | | | | | |
| | | | | | 12 | | | | | |
| | | | | | 14 | | | | | |

Push-in fittings NPQH

Product range overview

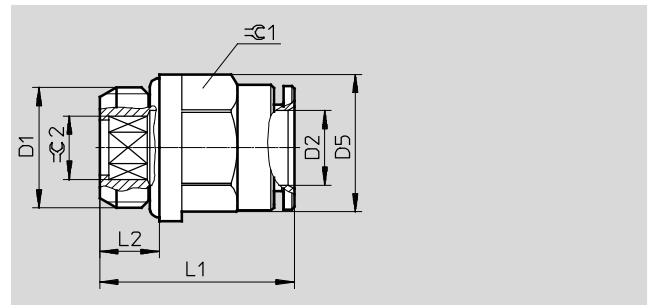
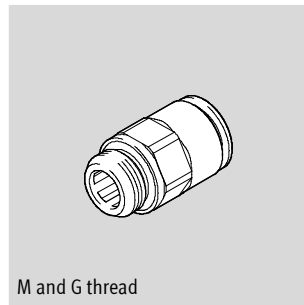
| Design | Version | Type | Connection D1 | | | | Connection D2 | | → Page/ Internet | | |
|---|---|--------------------|---------------|----------|----------|-----------------|---------------------|-----------------|---------------------|---------------------|----|
| | | | M thread | R thread | G thread | Tubing O.D.∅ | Push-in sleeve ∅ | Tubing O.D.∅ | | Push-in sleeve ∅ | |
| T-shape | Push-in T-fitting, 360° orientable – external thread with external hexagon | | | | | | | | | | |
| |  | NPQH-T | M5 | - | - | - | - | - | 4, 6 | - | 18 |
| | | | - | | G1/8 | | | | 4, 6, 8 | | |
| | | | - | | G1/4 | | | | 6, 8, 10, 12 | | |
| | | | - | | G3/8 | | | | 8, 10, 12 | | |
| | | | - | | G1/2 | | | | 10, 12 | | |
| | Push-in T-connector | | | | | | | | | | |
| |  | NPQH-T | - | - | - | 4 | - | 4 | - | 19 | |
| | | | - | - | - | 6 | - | 6 | - | | |
| | | | - | - | - | 8 | - | 8 | - | | |
| - | | | - | - | 10 | - | 10 | - | | | |
| - | | | - | - | 12 | - | 12 | - | | | |
|  | NPQH-T reducing | - | - | - | 6 | - | 4 | - | 19 | | |
| | | - | - | - | 8 | - | 6 | - | | | |
| | | - | - | - | 10 | - | 8 | - | | | |
| | | - | - | - | 12 | - | 10 | - | | | |
| Y-shape | Push-in Y-connector | | | | | | | | | | |
| |  | NPQH-Y | - | - | - | 6 | - | 6 | - | 20 | |
| | | | - | - | - | 8 | - | 8 | - | | |
| | | | - | - | - | 10 | - | 10 | - | | |
| |  | NPQH-Y reducing | - | - | - | 6 | - | 4 | - | 20 | |
| | | | - | - | - | 8 | - | 6 | - | | |
| | | | - | - | - | 10 | - | 8 | - | | |
| - | | | - | - | - | - | - | - | | | |

Push-in fittings NPQH

Technical data

Push-in fitting NPQH-D

External thread
with external hexagon



| Dimensions and ordering data | | | | | | | | | | | |
|-----------------------------------|--------------|--------------|------|------|-----|-----|-----|-------------------|----------|--------------------|------------------|
| Connection | Nominal size | Tubing O.D.∅ | D5 ∅ | L1 | L2 | ≈C1 | ≈C2 | Weight/ piece [g] | Part no. | Type | PU ¹⁾ |
| D1 | [mm] | D2 | | | | | | | | | |
| M thread with sealing ring | | | | | | | | | | | |
| M5 | – | 4 | 8 | 21.5 | 4 | 9 | 2.5 | – | 578334 | NPQH-D-M5-Q4-P10 | 10 |
| | – | 6 | 8 | 24 | 4 | 12 | 2.5 | – | 578335 | NPQH-D-M5-Q6-P10 | 10 |
| M7 | – | 4 | 9 | 20 | 5 | 9 | 3 | – | 578336 | NPQH-D-M7-Q4-P10 | 10 |
| | – | 6 | 9 | 23 | 5 | 12 | 3 | – | 578337 | NPQH-D-M7-Q6-P10 | 10 |
| G thread with sealing ring | | | | | | | | | | | |
| G ¹ / ₈ | 3 | 4 | 13 | 16.5 | 5 | 9 | 3 | 6.1 | 578338 | NPQH-D-G18-Q4-P10 | 10 |
| | 4 | 6 | 13.5 | 19.5 | 5 | 12 | 4 | 9 | 578339 | NPQH-D-G18-Q6-P10 | 10 |
| | 6 | 8 | 13 | 23.5 | 5 | 13 | 6 | 11.4 | 578340 | NPQH-D-G18-Q8-P10 | 10 |
| G ¹ / ₄ | 4 | 6 | 16 | 19.5 | 6.5 | 12 | 4 | 12.7 | 578341 | NPQH-D-G14-Q6-P10 | 10 |
| | 6 | 8 | 16 | 21.5 | 6.5 | 14 | 6 | 13.6 | 578342 | NPQH-D-G14-Q8-P10 | 10 |
| | 8 | 10 | 16 | 27.5 | 6.5 | 15 | 8 | 17.4 | 578343 | NPQH-D-G14-Q10-P10 | 10 |
| | 8 | 12 | 16 | 28.5 | 6.5 | 19 | 8 | 26.2 | 578344 | NPQH-D-G14-Q12-P10 | 10 |
| G ³ / ₈ | 6 | 8 | 20 | 21 | 7 | 14 | 6 | 20.1 | 578345 | NPQH-D-G38-Q8-P10 | 10 |
| | 8 | 10 | 20 | 25 | 7 | 16 | 8 | 22.6 | 578346 | NPQH-D-G38-Q10-P10 | 10 |
| | 10 | 12 | 20 | 28.5 | 7 | 19 | 8 | 28.9 | 578347 | NPQH-D-G38-Q12-P10 | 10 |
| | 10 | 14 | 20 | 32 | 7 | 22 | 10 | 37.5 | 578348 | NPQH-D-G38-Q14-P10 | 10 |
| G ¹ / ₂ | 8 | 10 | 25 | 25.5 | 8.5 | 16 | 8 | 34.5 | 578349 | NPQH-D-G12-Q10 | 1 |
| | 10 | 12 | 25 | 26.5 | 8.5 | 19 | 8 | 36.1 | 578350 | NPQH-D-G12-Q12 | 1 |
| | 12 | 14 | 25 | 32 | 8.5 | 22 | 12 | 42.4 | 578351 | NPQH-D-G12-Q14 | 1 |

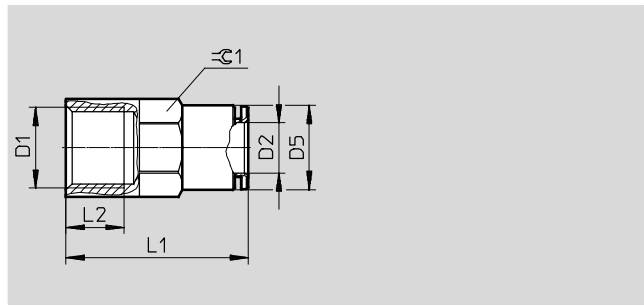
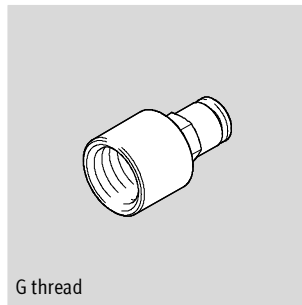
1) Packaging unit quantity

Push-in fittings NPQH

Technical data

Push-in fitting NPQH-D

Internal thread
with external hexagon

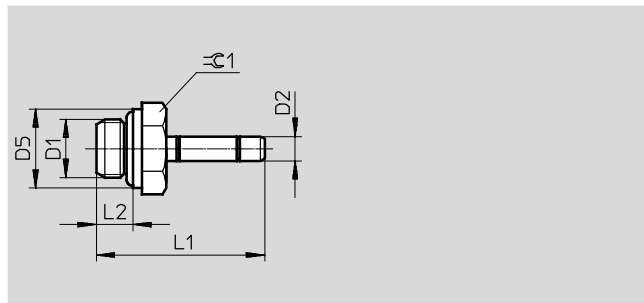
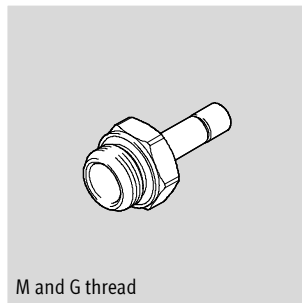


| Dimensions and ordering data | | | | | | | | | | |
|-------------------------------|---------------|---------------|----|------|-----|---------------------|---------------|----------|--------------------|------------------|
| Connection | Nominal width | Tubing O.D. Ø | D5 | L1 | L2 | $\approx \text{C1}$ | Weight/ piece | Part no. | Type | PU ¹⁾ |
| D1 | [mm] | D2 | Ø | | | | [g] | | | |
| G thread with sealing ring | | | | | | | | | | |
| G ¹ / ₈ | 3 | 4 | 9 | 23.5 | 7.5 | 9 | 10 | 578352 | NPQH-D-G18F-Q4-P10 | 10 |
| | 5 | 6 | 12 | 26 | 7.5 | 12 | 15.1 | 578353 | NPQH-D-G18F-Q6-P10 | 10 |
| | 7 | 8 | 14 | 26 | 7.5 | 14 | 17.5 | 578354 | NPQH-D-G18F-Q8-P10 | 10 |
| G ¹ / ₄ | – | 4 | 9 | 27 | 11 | 9 | – | 578355 | NPQH-D-G14F-Q4-P10 | 10 |
| | 5 | 6 | 12 | 30 | 11 | 12 | 18.5 | 578356 | NPQH-D-G14F-Q6-P10 | 10 |
| | 7 | 8 | 14 | 30 | 11 | 14 | 20.2 | 578357 | NPQH-D-G14F-Q8-P10 | 10 |

1) Packaging unit quantity

Push-in fitting NPQH-D

with push-in sleeve



| Dimensions and ordering data | | | | | | | | | | |
|-------------------------------|---------------|------------------|------|------|-----|---------------------|---------------|----------|--------------------|------------------|
| Connection | Nominal width | Push-in sleeve Ø | D5 | L1 | L2 | $\approx \text{C1}$ | Weight/ piece | Part no. | Type | PU ¹⁾ |
| D1 | [mm] | D2 | ±0.5 | ±0.5 | | | [g] | | | |
| M thread with sealing ring | | | | | | | | | | |
| M5 | – | 4 | 8 | 26 | 4 | 9 | – | 578358 | NPQH-D-M5-S4-P10 | 10 |
| | – | 6 | 8 | 28 | 4 | 9 | – | 578359 | NPQH-D-M5-S6-P10 | 10 |
| G thread with sealing ring | | | | | | | | | | |
| G ¹ / ₈ | – | 4 | 12.9 | 28 | 5 | 13 | – | 578360 | NPQH-D-G18-S4-P10 | 10 |
| | – | 6 | 12.9 | 30 | 5 | 13 | – | 578361 | NPQH-D-G18-S6-P10 | 10 |
| | – | 8 | 12.9 | 31 | 5 | 13 | – | 578362 | NPQH-D-G18-S8-P10 | 10 |
| G ¹ / ₄ | – | 6 | 16 | 32.5 | 6.5 | 16 | – | 578363 | NPQH-D-G14-S6-P10 | 10 |
| | – | 8 | 16 | 33.5 | 6.5 | 16 | – | 578364 | NPQH-D-G14-S8-P10 | 10 |
| | – | 10 | 16 | 34.5 | 6.5 | 16 | – | 578365 | NPQH-D-G14-S10-P10 | 10 |
| | – | 12 | 16 | 37.5 | 6.5 | 16 | – | 578366 | NPQH-D-G14-S12-P10 | 10 |
| G ³ / ₈ | – | 10 | 20 | 35 | 7 | 20 | – | 578367 | NPQH-D-G38-S10-P10 | 10 |
| | – | 12 | 20 | 38 | 7 | 20 | – | 578368 | NPQH-D-G38-S12-P10 | 10 |
| G ¹ / ₂ | – | 12 | 25 | 39.5 | 8.5 | 25 | – | 578369 | NPQH-D-G12-S12 | 1 |

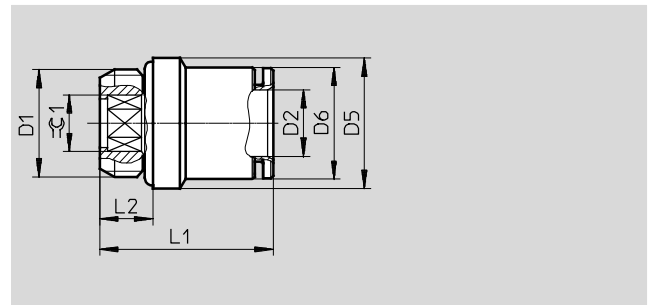
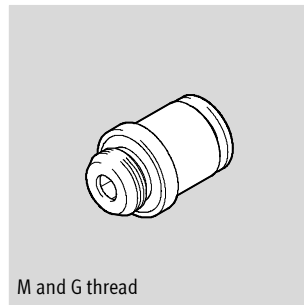
1) Packaging unit quantity

Push-in fittings NPQH

Technical data

Push-in fitting NPQH-DK

External thread
with internal hex



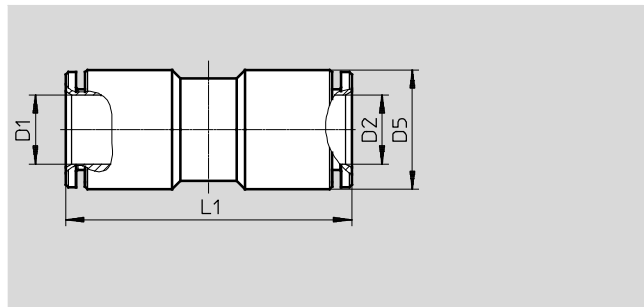
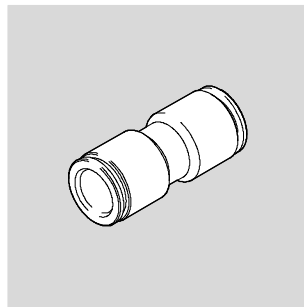
| Dimensions and ordering data | | | | | | | | | | | |
|-----------------------------------|--------------------|------------------------------|------------------|------------------|------|-----|------------------|-------------------|----------|---------------------|------------------|
| Connection | Nominal width [mm] | Tubing O.D. \varnothing D2 | D5 \varnothing | D6 \varnothing | L1 | L2 | $\varnothing C1$ | Weight/ piece [g] | Part no. | Type | PU ¹⁾ |
| M thread with sealing ring | | | | | | | | | | | |
| M5 | 2.5 | 4 | 8 | 9 | 19 | 4 | 2.5 | 4.6 | 578370 | NPQH-DK-M5-Q4-P10 | 10 |
| | 2.5 | 6 | 8 | 12 | 22 | 4 | 2.5 | 8.6 | 578371 | NPQH-DK-M5-Q6-P10 | 10 |
| M7 | 3 | 4 | 9 | 9 | 20 | 5 | 3 | 6.4 | 578372 | NPQH-DK-M7-Q4-P10 | 10 |
| | 3 | 6 | 9 | 12 | 23 | 5 | 3 | 9.4 | 578373 | NPQH-DK-M7-Q6-P10 | 10 |
| G thread with sealing ring | | | | | | | | | | | |
| G ¹ / ₈ | – | 4 | 13 | 9 | 16.5 | 5 | 3 | – | 578374 | NPQH-DK-G18-Q4-P10 | 10 |
| | – | 6 | 13 | 12 | 19.5 | 5 | 4 | – | 578375 | NPQH-DK-G18-Q6-P10 | 10 |
| | – | 8 | 13 | 14 | 23.5 | 5 | 6 | – | 578376 | NPQH-DK-G18-Q8-P10 | 10 |
| G ¹ / ₄ | – | 8 | 16 | 14 | 21.5 | 6.5 | 6 | – | 578377 | NPQH-DK-G14-Q8-P10 | 10 |
| | – | 10 | 16 | 16 | 27.5 | 6.5 | 8 | – | 578378 | NPQH-DK-G14-Q10-P10 | 10 |
| G ³ / ₈ | – | 12 | 20 | 18 | 28.5 | 7 | 10 | – | 578379 | NPQH-DK-G38-Q12-P10 | 10 |

1) Packaging unit quantity

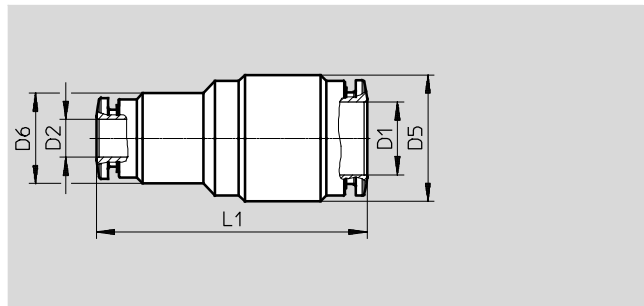
Push-in fittings NPQH

Technical data

Push-in connector NPQH-D



Reducing



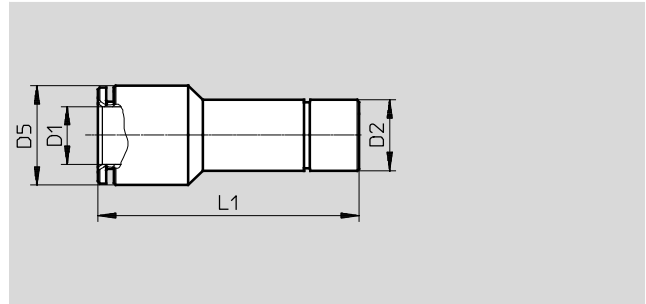
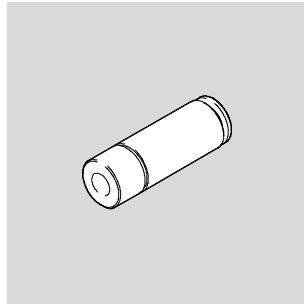
| Dimensions and ordering data | | | | | | | | | |
|------------------------------|-----------------------|--------------------|---------|---------|----------|-------------------------|----------|--------------------|------------------|
| Tubing O.D.∅ D1 | Nominal width [mm] | Tubing O.D.∅ D2 | D5 ∅ | D6 ∅ | L1 ±1 | Weight/ piece [g] | Part no. | Type | PU ¹⁾ |
| 4 | 3 | 4 | 9 | – | 28 | 6.8 | 578323 | NPQH-D-Q4-E-P10 | 10 |
| 6 | 5 | 6 | 12 | – | 33.5 | 15 | 578324 | NPQH-D-Q6-E-P10 | 10 |
| 8 | 7 | 8 | 14 | – | 34 | 18 | 578325 | NPQH-D-Q8-E-P10 | 10 |
| 10 | 9 | 10 | 16 | – | 38.5 | 22.5 | 578326 | NPQH-D-Q10-E-P10 | 10 |
| 12 | 11 | 12 | 19 | – | 41 | 36.6 | 578327 | NPQH-D-Q12-E-P10 | 10 |
| 14 | 13 | 14 | 22 | – | 47 | 47.4 | 578328 | NPQH-D-Q14-E-P10 | 10 |
| Reducing | | | | | | | | | |
| 6 | – | 4 | 12 | 12 | 31 | – | 578329 | NPQH-D-Q6-Q4-P10 | 10 |
| 8 | – | 6 | 14 | 14 | 34 | – | 578330 | NPQH-D-Q8-Q6-P10 | 10 |
| 12 | – | 8 | 19 | 14 | 39 | – | 578331 | NPQH-D-Q12-Q8-P10 | 10 |
| 14 | – | 10 | 22 | 16 | 44.5 | – | 578332 | NPQH-D-Q14-Q10-P10 | 10 |
| 14 | – | 12 | 22 | 19 | 44.5 | – | 578333 | NPQH-D-Q14-Q12-P10 | 10 |

1) Packaging unit quantity

Push-in fittings NPQH

Technical data

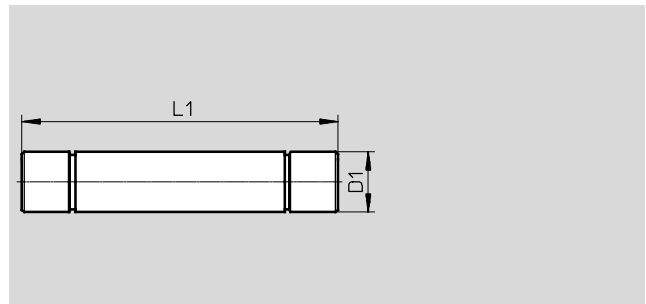
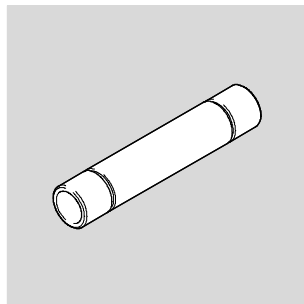
Push-in connector NPQH-D with push-in sleeve



| Dimensions and ordering data | | | | | | | | |
|------------------------------|-----------------------|------------------------|---------|------|-------------------------|----------|--------------------|------------------|
| Tubing O.D.∅ D1 | Nominal width [mm] | Push-in sleeve ∅ D2 | D5 ∅ | L1 | Weight/ piece [g] | Part no. | Type | PU ¹⁾ |
| 4 | 3 | 6 | 9 | 33.5 | 7 | 578304 | NPQH-D-S6-Q4-P10 | 10 |
| | 3.5 | 8 | 9 | 33.5 | 10 | 578305 | NPQH-D-S8-Q4-P10 | 10 |
| | - | 10 | 10 | 31.5 | - | 578307 | NPQH-D-S10-Q4-P10 | 10 |
| 6 | 5 | 8 | 12 | 35 | 11.5 | 578306 | NPQH-D-S8-Q6-P10 | 10 |
| | 5.5 | 10 | 12 | 36.5 | 15.5 | 578308 | NPQH-D-S10-Q6-P10 | 10 |
| | 5.5 | 12 | 12 | 35.5 | 22.2 | 578310 | NPQH-D-S12-Q6-P10 | 10 |
| | 5 | 14 | 14 | 37.5 | 25 | 578313 | NPQH-D-S14-Q6-P10 | 10 |
| 8 | 7 | 10 | 14 | 37 | 15 | 578309 | NPQH-D-S10-Q8-P10 | 10 |
| | 7 | 12 | 14 | 39 | 23 | 578311 | NPQH-D-S12-Q8-P10 | 10 |
| | 7 | 14 | 14 | 38.5 | 31.5 | 578314 | NPQH-D-S14-Q8-P10 | 10 |
| 10 | 9 | 12 | 16 | 42 | 20 | 578312 | NPQH-D-S12-Q10-P10 | 10 |
| | 9 | 14 | 16 | 42 | 29.5 | 578315 | NPQH-D-S14-Q10-P10 | 10 |
| 12 | 11 | 14 | 19 | 43 | 24 | 578316 | NPQH-D-S14-Q12-P10 | 10 |

1) Packaging unit quantity

Push-in sleeve NPQH-D



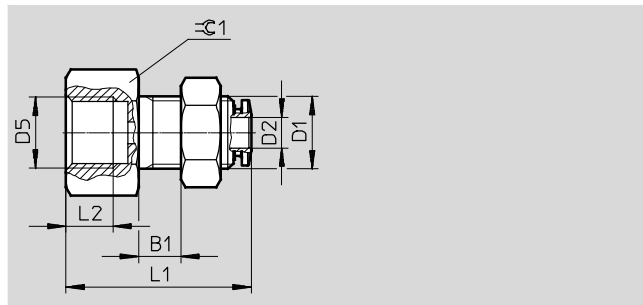
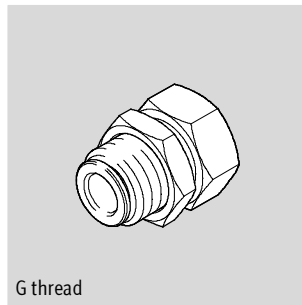
| Dimensions and ordering data | | | | | | |
|------------------------------|-----------------------|----|-------------------------|----------|------------------|------------------|
| Push-in sleeve ∅ D1 | Nominal width [mm] | L1 | Weight/ piece [g] | Part no. | Type | PU ¹⁾ |
| 4 | 2 | 35 | 2.8 | 578317 | NPQH-D-S4-E-P10 | 10 |
| 6 | 4 | 40 | 5.5 | 578318 | NPQH-D-S6-E-P10 | 10 |
| 8 | 6 | 42 | 7.5 | 578319 | NPQH-D-S8-E-P10 | 10 |
| 10 | 8 | 50 | 11 | 578320 | NPQH-D-S10-E-P10 | 10 |
| 12 | 10 | 53 | 14 | 578321 | NPQH-D-S12-E-P10 | 10 |
| 14 | 12 | 54 | 18.5 | 578322 | NPQH-D-S14-E-P10 | 10 |

1) Packaging unit quantity

Push-in fittings NPQH

Technical data

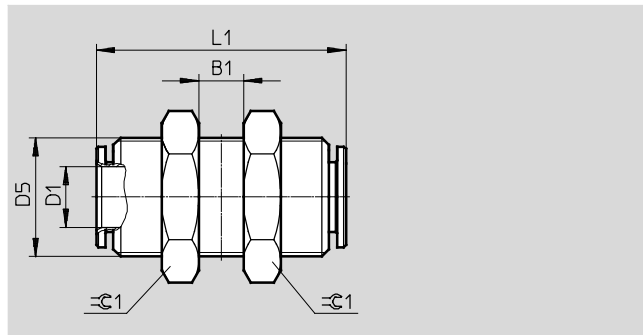
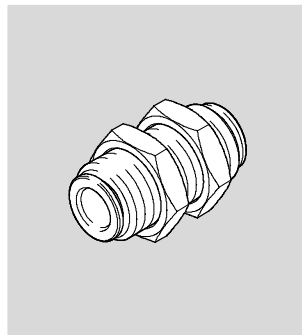
Push-in bulkhead fitting NPQH-H Internal thread with external hexagon



| Dimensions and ordering data | | | | | | | | | | | |
|------------------------------|--------------------|---------------------------|---------|-------|--------------|-----|------------------|-------------------|----------|--------------------|------------------|
| Connection | Nominal width [mm] | Tubing O.D. \varnothing | B1 max. | D5 | L1 ± 0.5 | L2 | $\varnothing C1$ | Weight/ piece [g] | Part no. | Type | PU ¹⁾ |
| D1 | | D2 | | | | | | | | | |
| G thread with sealing ring | | | | | | | | | | | |
| G $\frac{1}{8}$ | - | 4 | 7 | M12x1 | 23.5 | 7.5 | 16 | - | 578294 | NPQH-H-G18F-Q4-P10 | 10 |
| | - | 6 | 10 | M14x1 | 26.5 | 7.5 | 18 | - | 578295 | NPQH-H-G18F-Q6-P10 | 10 |
| | - | 8 | 10 | M16x1 | 26.5 | 7.5 | 20 | - | 578296 | NPQH-H-G18F-Q8-P10 | 10 |
| G $\frac{1}{4}$ | - | 6 | 10 | M14x1 | 30.5 | 11 | 18 | - | 578297 | NPQH-H-G14F-Q6-P10 | 10 |
| | - | 8 | 10 | M16x1 | 30.5 | 11 | 20 | - | 578298 | NPQH-H-G14F-Q8-P10 | 10 |

1) Packaging unit quantity

Push-in bulkhead connector NPQH-H



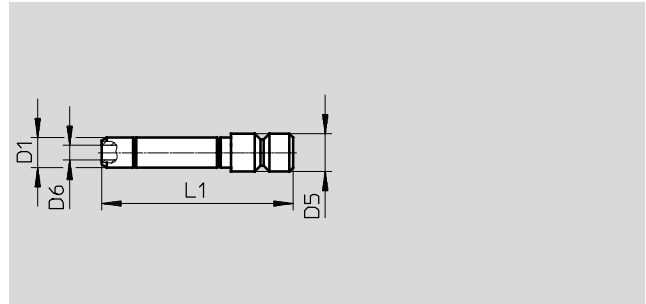
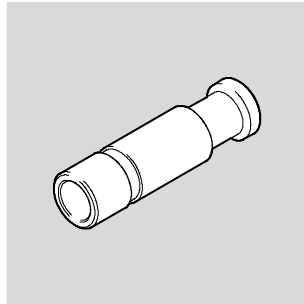
| Dimensions and ordering data | | | | | | | | | | | |
|------------------------------|--------------------|---------|-------|----|------------------|-------------------|----------|------------------|------------------|--|--|
| Tubing O.D. \varnothing | Nominal width [mm] | B1 max. | D5 | L1 | $\varnothing C1$ | Weight/ piece [g] | Part no. | Type | PU ¹⁾ | | |
| D1 | | | | | | | | | | | |
| 4 | 3 | 11 | M12x1 | 28 | 16 | 23.5 | 578299 | NPQH-H-Q4-E-P10 | 10 | | |
| 6 | 5 | 16 | M14x1 | 34 | 18 | 33 | 578300 | NPQH-H-Q6-E-P10 | 10 | | |
| 8 | 7 | 17 | M16x1 | 34 | 20 | 39.5 | 578301 | NPQH-H-Q8-E-P10 | 10 | | |
| 10 | 9 | 19 | M18x1 | 39 | 22 | 51.5 | 578302 | NPQH-H-Q10-E-P10 | 10 | | |
| 12 | 11 | 20 | M20x1 | 41 | 24 | 60 | 578303 | NPQH-H-Q12-E-P10 | 10 | | |

1) Packaging unit quantity

Push-in fittings NPQH

Technical data

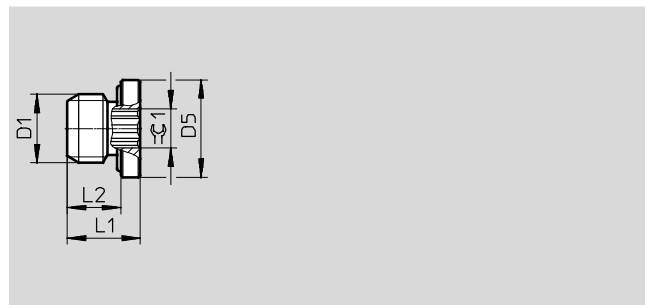
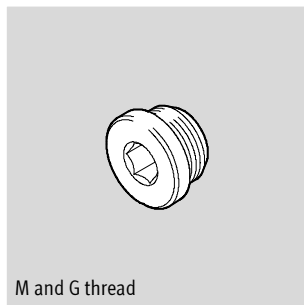
Blanking plug NPQH-P



| Dimensions and ordering data | | | | | | | |
|------------------------------|---------|-----------------|------------|-------------------------|----------|----------------|------------------|
| Push-in sleeve D1 | D5 ∅ | D6 ∅ ±0.3 | L1 ±0.5 | Weight/ piece [g] | Part no. | Type | PU ¹⁾ |
| 4 | 5 | – | 25 | – | 578257 | NPQH-P-S4-P10 | 10 |
| 6 | 6 | 3.5 | 25 | – | 578258 | NPQH-P-S6-P10 | 10 |
| 8 | 8 | 5.5 | 30 | – | 578259 | NPQH-P-S8-P10 | 10 |
| 10 | 10 | 7.5 | 35 | – | 578260 | NPQH-P-S10-P10 | 10 |
| 12 | 12 | 9.5 | 40 | – | 578261 | NPQH-P-S12-P10 | 10 |
| 14 | 14 | 11 | 40 | – | 578262 | NPQH-P-S14-P10 | 10 |

1) Packaging unit quantity

Plug screw NPQH-BK



M and G thread

| Dimensions and ordering data | | | | | | | | |
|-----------------------------------|---------|------------|-----|--------------|-------------------------|----------|-----------------|------------------|
| Connection D1 | D5 ∅ | L1 max. | L2 | $\approx C1$ | Weight/ piece [g] | Part no. | Type | PU ¹⁾ |
| M thread with sealing ring | | | | | | | | |
| M5 | 8 | 5.5 | 4 | 2.5 | – | 578404 | NPQH-BK-M5-P10 | 10 |
| M7 | 9 | 7 | 5 | 3 | – | 578405 | NPQH-BK-M7-P10 | 10 |
| G thread with sealing ring | | | | | | | | |
| G ¹ / ₈ | 13 | 8.5 | 6 | 5 | – | 578406 | NPQH-BK-G18-P10 | 10 |
| G ¹ / ₄ | 16 | 9.5 | 6.5 | 6 | – | 578407 | NPQH-BK-G14-P10 | 10 |
| G ³ / ₈ | 20 | 10 | 7 | 8 | – | 578408 | NPQH-BK-G38-P10 | 10 |
| G ¹ / ₂ | 25 | 12 | 8.5 | 10 | – | 578409 | NPQH-BK-G12 | 1 |

1) Packaging unit quantity

Push-in fittings NPQH

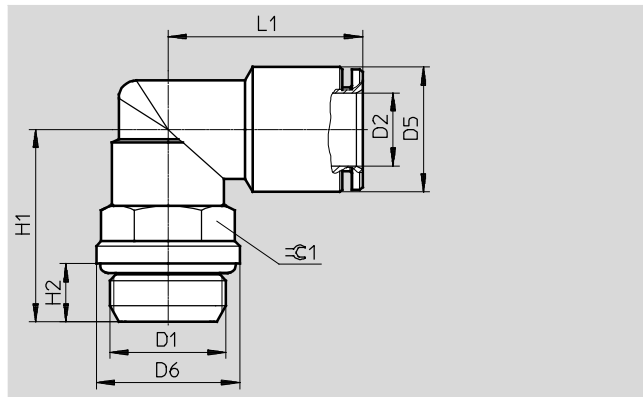
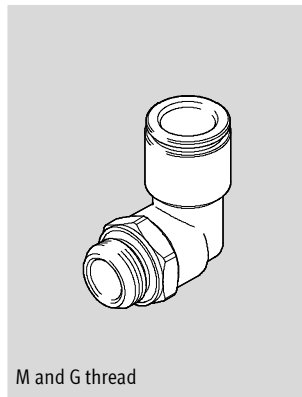
Technical data

Push-in L-fitting NPQH-L

360° orientable

External thread

with external hexagon



| Dimensions and ordering data | | | | | | | | | | | | |
|-----------------------------------|---------------|---------------------------|------------------|------------------|------|-----|------|-------------------------|-------------------|----------|--------------------|------------------|
| Connection | Nominal width | Tubing O.D. \varnothing | D5 \varnothing | D6 \varnothing | H1 | H2 | L1 | $\approx \varnothing 1$ | Weight/ piece [g] | Part no. | Type | PU ¹⁾ |
| D1 | [mm] | D2 | | | | | | | | | | |
| M thread with sealing ring | | | | | | | | | | | | |
| M5 | 3 | 4 | 9 | 8 | 14 | 4 | 17.5 | 9 | 8.8 | 578276 | NPQH-L-M5-Q4-P10 | 10 |
| | 3.5 | 6 | 12 | 8 | 14 | 4 | 17.5 | 9 | 11.9 | 578277 | NPQH-L-M5-Q6-P10 | 10 |
| M7 | – | 4 | 9 | 9 | 15 | 5 | 17.5 | 9 | – | 578278 | NPQH-L-M7-Q4-P10 | 10 |
| | – | 6 | 12 | 9 | 15 | 5 | 17.5 | 9 | – | 578279 | NPQH-L-M7-Q6-P10 | 10 |
| G thread with sealing ring | | | | | | | | | | | | |
| G $\frac{1}{8}$ | 3 | 4 | 9 | 13 | 18 | 5 | 19.5 | 13 | 15.7 | 578280 | NPQH-L-G18-Q4-P10 | 10 |
| | 5 | 6 | 12 | 13 | 18 | 5 | 22 | 13 | 18.5 | 578281 | NPQH-L-G18-Q6-P10 | 10 |
| | 5.5 | 8 | 14 | 13 | 18 | 5 | 22.5 | 13 | 22 | 578282 | NPQH-L-G18-Q8-P10 | 10 |
| G $\frac{1}{4}$ | 5 | 6 | 12 | 16 | 21.5 | 6.5 | 22 | 13 | 21.8 | 578283 | NPQH-L-G14-Q6-P10 | 10 |
| | 5.5 | 8 | 14 | 16 | 21.5 | 6.5 | 22.5 | 13 | 25.3 | 578284 | NPQH-L-G14-Q8-P10 | 10 |
| | 8.5 | 10 | 16 | 16 | 22 | 6.5 | 26 | 16 | 34 | 578285 | NPQH-L-G14-Q10-P10 | 10 |
| | 11 | 12 | 19 | 16 | 25.5 | 6.5 | 28.5 | 20 | 58.5 | 578286 | NPQH-L-G14-Q12-P10 | 10 |
| G $\frac{3}{8}$ | 6 | 8 | 14 | 20 | 25.5 | 7 | 23 | 16 | 37.7 | 578287 | NPQH-L-G38-Q8-P10 | 10 |
| | 8.5 | 10 | 16 | 20 | 25.5 | 7 | 26 | 16 | 39.2 | 578288 | NPQH-L-G38-Q10-P10 | 10 |
| | 11 | 12 | 19 | 20 | 26 | 7 | 28.5 | 20 | 56.1 | 578289 | NPQH-L-G38-Q12-P10 | 10 |
| | 12 | 14 | 22 | 20 | 26 | 7 | 32 | 20 | 61.6 | 578290 | NPQH-L-G38-Q14-P10 | 10 |
| G $\frac{1}{2}$ | 8.5 | 10 | 16 | 25 | 27.5 | 8.5 | 26 | 16 | 43.2 | 578291 | NPQH-L-G12-Q10 | 1 |
| | 11 | 12 | 19 | 25 | 30.5 | 8.5 | 28.5 | 20 | 65.1 | 578292 | NPQH-L-G12-Q12 | 1 |
| | 12 | 14 | 22 | 25 | 30.5 | 8.5 | 32 | 20 | 69.9 | 578293 | NPQH-L-G12-Q14 | 1 |

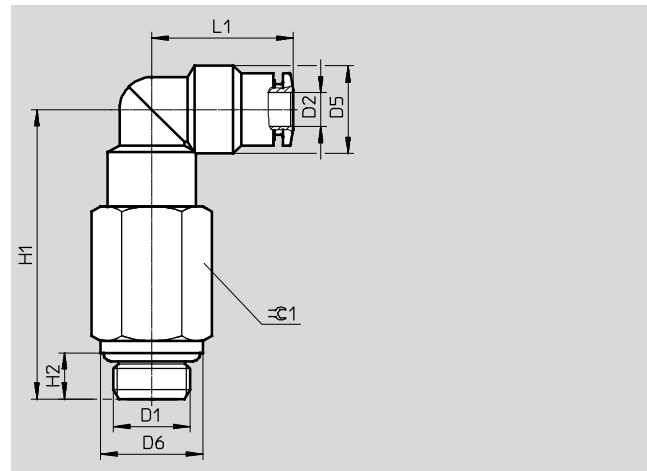
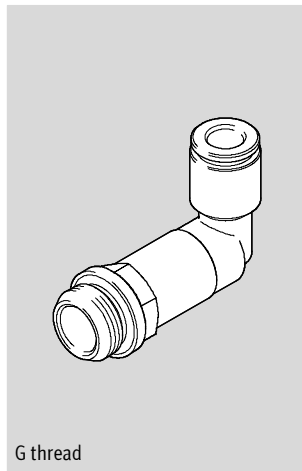
1) Packaging unit quantity

Push-in fittings NPQH

Technical data

Push-in L-fitting (long) NPQH-LL

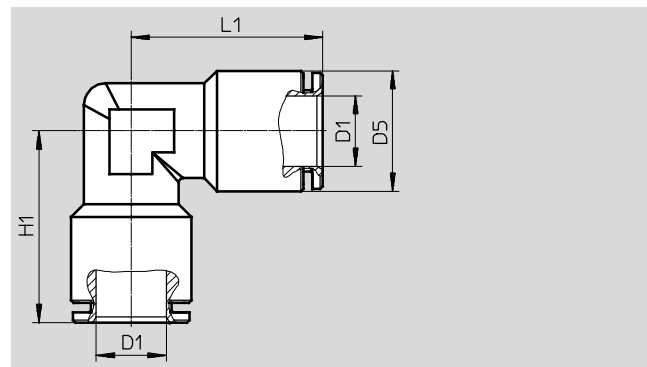
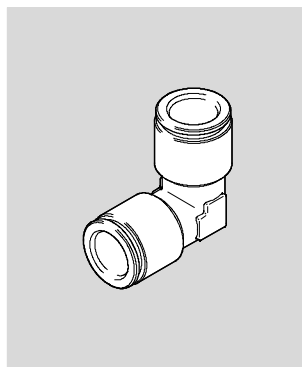
360° orientable
External thread
with external hexagon



| Dimensions and ordering data | | | | | | | | | | | | |
|-------------------------------|---------------|--------------|------|------|------|-----|------|-----|-------------------|----------|---------------------|------------------|
| Connection | Nominal width | Tubing O.D.∅ | D5 ∅ | D6 ∅ | H1 | H2 | L1 | ≈∅1 | Weight/ piece [g] | Part no. | Type | PU ¹⁾ |
| D1 | [mm] | D2 | ±0.5 | ±0.5 | ±1 | | ±1 | | | | | |
| G thread with sealing ring | | | | | | | | | | | | |
| G ³ / ₈ | – | 4 | 9 | 13 | 29 | 5 | 19.5 | 13 | – | 578263 | NPQH-LL-G18-Q4-P10 | 10 |
| | – | 6 | 12 | 13 | 32 | 5 | 22 | 13 | – | 578264 | NPQH-LL-G18-Q6-P10 | 10 |
| | – | 8 | 14 | 13 | 34 | 5 | 22.5 | 13 | – | 578265 | NPQH-LL-G18-Q8-P10 | 10 |
| G ¹ / ₄ | – | 6 | 12 | 16 | 35.5 | 6.5 | 22 | 13 | – | 578266 | NPQH-LL-G14-Q6-P10 | 10 |
| | – | 8 | 14 | 16 | 37.5 | 6.5 | 22.5 | 13 | – | 578267 | NPQH-LL-G14-Q8-P10 | 10 |
| | – | 10 | 16 | 16 | 39 | 6.5 | 26 | 16 | – | 578268 | NPQH-LL-G14-Q10-P10 | 10 |
| G ³ / ₈ | – | 10 | 16 | 20 | 42.5 | 7 | 26 | 16 | – | 578269 | NPQH-LL-G38-Q10-P10 | 10 |

1) Packaging unit quantity

Push-in L-connector NPQH-L



| Dimensions and ordering data | | | | | | | | |
|------------------------------|--------------|------|------|------|-------------------|----------|------------------|------------------|
| Tubing O.D.∅ | Nominal size | D5 ∅ | H1 | L1 | Weight/ piece [g] | Part no. | Type | PU ¹⁾ |
| D1 | [mm] | | | | | | | |
| 4 | 3 | 9 | 17.5 | 17.5 | 9 | 578270 | NPQH-L-Q4-E-P10 | 10 |
| 6 | 5 | 12 | 20.5 | 20.5 | 16.5 | 578271 | NPQH-L-Q6-E-P10 | 10 |
| 8 | 7 | 14 | 22.5 | 22.5 | 22 | 578272 | NPQH-L-Q8-E-P10 | 10 |
| 10 | 9 | 16 | 25 | 25 | 29.5 | 578273 | NPQH-L-Q10-E-P10 | 10 |
| 12 | 11 | 19 | 26.5 | 26.5 | 48.5 | 578274 | NPQH-L-Q12-E-P10 | 10 |
| 14 | 12 | 22 | 31.5 | 31.5 | 58 | 578275 | NPQH-L-Q14-E-P10 | 10 |

1) Packaging unit quantity

Push-in fittings NPQH

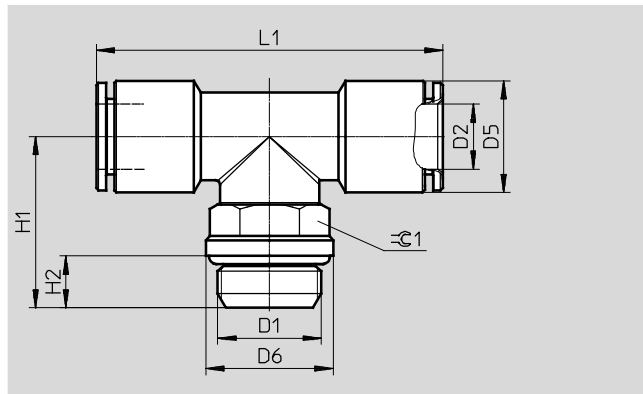
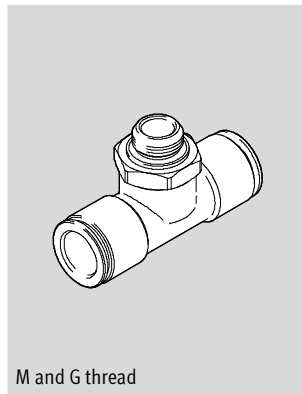
Technical data

Push-in T-fitting NPQH-T

360° orientable

External thread

with external hexagon



| Dimensions and ordering data | | | | | | | | | | | | |
|-----------------------------------|---------------|---------------------------|------------------|------------------|------|-----|----|-------------------------|-------------------|----------|--------------------|------------------|
| Connection | Nominal width | Tubing O.D. \varnothing | D5 \varnothing | D6 \varnothing | H1 | H2 | L1 | $\approx \varnothing 1$ | Weight/ piece [g] | Part no. | Type | PU ¹⁾ |
| D1 | [mm] | D2 | | | | | | | | | | |
| M thread with sealing ring | | | | | | | | | | | | |
| M5 | - | 4 | 9 | 8 | 14.5 | 4 | 35 | 9 | - | 578390 | NPQH-T-M5-Q4-P10 | 10 |
| | - | 6 | 12 | 8 | 14.5 | 4 | 41 | 9 | - | 578391 | NPQH-T-M5-Q6-P10 | 10 |
| G thread with sealing ring | | | | | | | | | | | | |
| G $\frac{1}{8}$ | 3 | 4 | 9 | 13 | 18 | 5 | 39 | 13 | 20.2 | 578392 | NPQH-T-G18-Q4-P10 | 10 |
| | 5 | 6 | 12 | 13 | 18 | 5 | 44 | 13 | 25.2 | 578393 | NPQH-T-G18-Q6-P10 | 10 |
| | 5.5 | 8 | 14 | 13 | 18 | 5 | 45 | 13 | 30.7 | 578394 | NPQH-T-G18-Q8-P10 | 10 |
| G $\frac{1}{4}$ | 5 | 6 | 12 | 16 | 21.5 | 6.5 | 44 | 13 | 29.1 | 578395 | NPQH-T-G14-Q6-P10 | 10 |
| | 5.5 | 8 | 14 | 16 | 21.5 | 6.5 | 45 | 13 | 33.6 | 578396 | NPQH-T-G14-Q8-P10 | 10 |
| | 8.5 | 10 | 16 | 16 | 22 | 6.5 | 52 | 16 | 44.4 | 578397 | NPQH-T-G14-Q10-P10 | 10 |
| | - | 12 | 19 | 16 | 25.5 | 6.5 | 57 | 20 | - | 578398 | NPQH-T-G14-Q12-P10 | 10 |
| G $\frac{3}{8}$ | 6 | 8 | 14 | 20 | 25.5 | 7 | 46 | 16 | 46.4 | 578399 | NPQH-T-G38-Q8-P10 | 10 |
| | 8.5 | 10 | 16 | 20 | 25.5 | 7 | 52 | 16 | 49.7 | 578400 | NPQH-T-G38-Q10-P10 | 10 |
| | 11 | 12 | 19 | 20 | 26 | 7 | 57 | 20 | 75.3 | 578401 | NPQH-T-G38-Q12-P10 | 10 |
| G $\frac{1}{2}$ | - | 10 | 16 | 25 | 27.5 | 8.5 | 52 | 16 | - | 578402 | NPQH-T-G12-Q10 | 1 |
| | 11 | 12 | 19 | 25 | 30.5 | 8.5 | 57 | 20 | 82 | 578403 | NPQH-T-G12-Q12 | 1 |

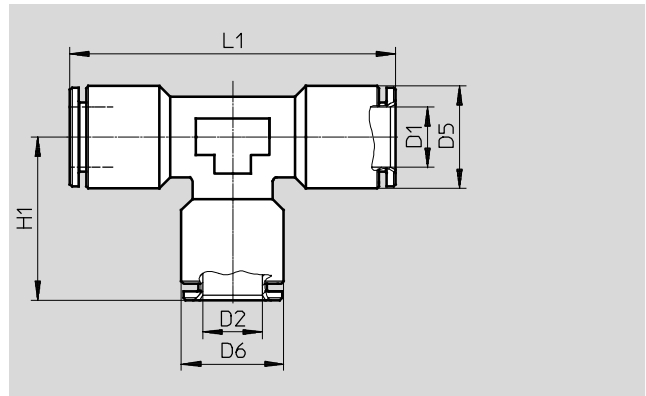
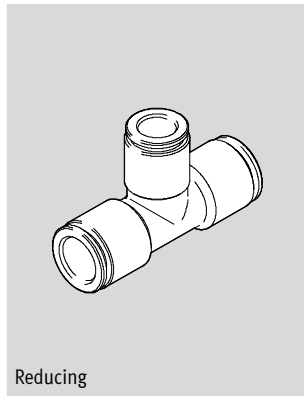
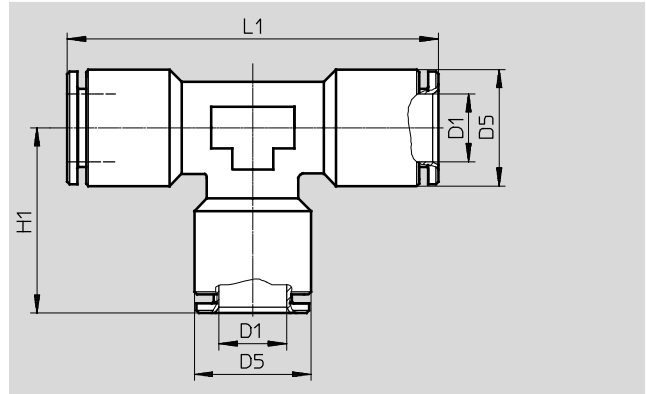
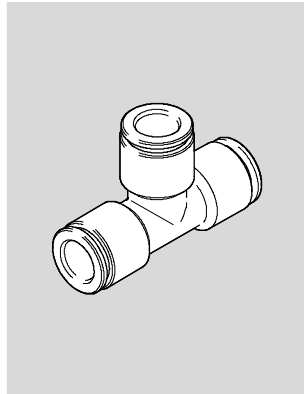
1) Packaging unit quantity

Push-in fittings NPQH

Technical data

FESTO

Push-in T-connector NPQH-T



Reducing

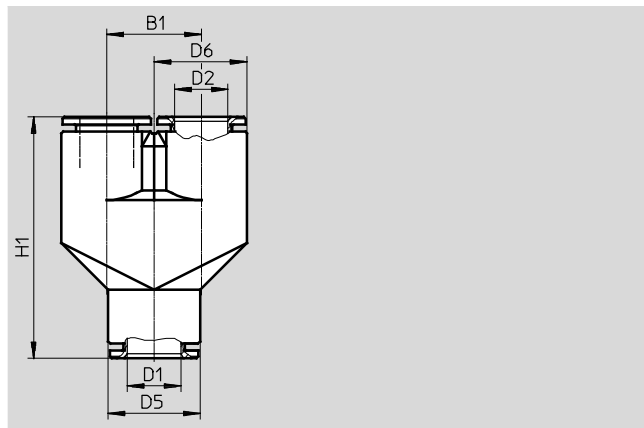
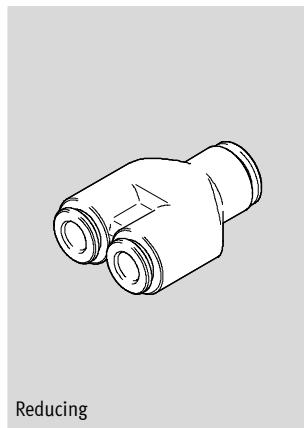
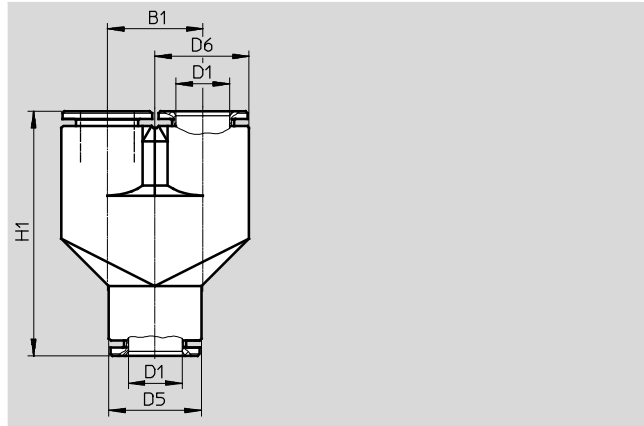
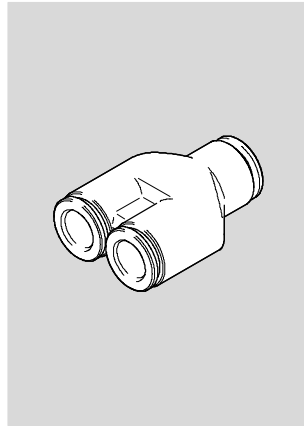
| Dimensions and ordering data | | | | | | | | | | |
|------------------------------|-----------------------|--------------------|---------|---------|------|----|-------------------------|----------|--------------------|------------------|
| Tubing O.D.∅ D1 | Nominal width [mm] | Tubing O.D.∅ D2 | D5 ∅ | D6 ∅ | H1 | L1 | Weight/ piece [g] | Part no. | Type | PU ¹⁾ |
| 4 | 3 | - | 9 | - | 17.5 | 35 | 12.5 | 578380 | NPQH-T-Q4-E-P10 | 10 |
| 6 | 5 | - | 12 | - | 20 | 40 | 22.5 | 578381 | NPQH-T-Q6-E-P10 | 10 |
| 8 | 7 | - | 14 | - | 21 | 42 | 28.4 | 578382 | NPQH-T-Q8-E-P10 | 10 |
| 10 | 9 | - | 16 | - | 24.5 | 49 | 39.2 | 578383 | NPQH-T-Q10-E-P10 | 10 |
| 12 | 11 | - | 19 | - | 26 | 52 | 61.3 | 578384 | NPQH-T-Q12-E-P10 | 10 |
| 14 | 12 | - | 22 | - | 30.5 | 61 | 77.1 | 578385 | NPQH-T-Q14-E-P10 | 10 |
| Reducing | | | | | | | | | | |
| 6 | - | 4 | 12 | 9 | 18 | 40 | - | 578386 | NPQH-T-Q6-Q4-P10 | 10 |
| 8 | - | 6 | 14 | 12 | 20.5 | 42 | - | 578387 | NPQH-T-Q8-Q6-P10 | 10 |
| 10 | - | 8 | 16 | 14 | 23 | 49 | - | 578388 | NPQH-T-Q10-Q8-P10 | 10 |
| 12 | - | 10 | 19 | 16 | 26 | 52 | - | 578389 | NPQH-T-Q12-Q10-P10 | 10 |

1) Packaging unit quantity

Push-in fittings NPQH

Technical data

Push-in Y-connector NPQH-Y



Reducing

| Dimensions and ordering data | | | | | | | | | | |
|------------------------------|--------------------|--------------------|------|---------|---------|------|----------------------|----------|-------------------|------------------|
| Tubing O.D.∅ D1 | Nominal width [mm] | Tubing O.D.∅ D2 | B1 | D5 ∅ | D6 ∅ | H1 | Weight/ piece [g] | Part no. | Type | PU ¹⁾ |
| 6 | 5.5 | – | 12.5 | 12 | 12.3 | 36 | 32 | 578410 | NPQH-Y-Q6-E-P10 | 10 |
| 8 | 7.5 | – | 14.5 | 14 | 14.3 | 37.5 | 42.5 | 578411 | NPQH-Y-Q8-E-P10 | 10 |
| 10 | 9.5 | – | 16.5 | 16 | 16.3 | 44.5 | – | 578412 | NPQH-Y-Q10-E-P10 | 10 |
| Reducing | | | | | | | | | | |
| 6 | 3.5 | 4 | 12.5 | 12 | 12.3 | 34 | – | 578413 | NPQH-Y-Q6-Q4-P10 | 10 |
| 8 | 5.5 | 6 | 14.5 | 14 | 14.3 | 37.5 | – | 578414 | NPQH-Y-Q8-Q6-P10 | 10 |
| 10 | 7.5 | 8 | 16.5 | 16 | 16.3 | 44 | – | 578415 | NPQH-Y-Q10-Q8-P10 | 10 |

1) Packaging unit quantity