

Threaded fittings NPFC



Threaded fittings NPFC

Technical data



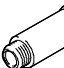



| Operating and environmental conditions | |
|----------------------------------------------|-------------------------------------------|
| Operating pressure [bar] | -0.95 ... 50 |
| Operating medium | Compressed air to ISO 8573-1:2010 [-:-:-] |
| | Gases on request |
| | Liquids on request |
| Ambient temperature [°C] | -20 ... 150 |
| Corrosion resistance class CRC ¹⁾ | 1 |

- 1) Corrosion resistance class 1 according to Festo standard 940 070
 Components subject to low corrosion stress. Transport and storage protection. Parts that do not have primarily decorative surface requirements, e.g. in internal areas that are not visible or behind covers.

| Materials | |
|-------------------|---------------------|
| Threaded fitting | Nickel-plated brass |
| Note on materials | RoHS-compliant |

Threaded fittings NPFC






Product range overview

| Design | Design | Type | Connection D1 | | | Connection D2 | | | → Page/ Internet |
|-------------------------------------------------------------------------------------|-----------------------------------------------------------------------------------|--------|-----------------|------------------------|------------------------|-----------------------------------------------------|-----------------------------------------------------|------------------------|---------------------|
| | | | M thread | G thread ¹⁾ | R thread ¹⁾ | M thread | G thread ¹⁾ | R thread ¹⁾ | |
| Straight design | Sleeve | | | | | | | | |
| |  | NPFC-S | M5 | – | – | – | – | – | 6 |
| | | | – | G $\frac{1}{8}$ | | | | | |
| | | | | G $\frac{1}{4}$ | | | | | |
| | | | | G $\frac{3}{8}$ | | | | | |
| | | | | G $\frac{1}{2}$ | | | | | |
| | | | G $\frac{3}{4}$ | | | | | | |
| | Reducing sleeve | | | | | | | | |
| |  | NPFC-R | – | G $\frac{1}{8}$ | – | – | G $\frac{3}{8}$ | – | 6 |
| | | | | G $\frac{1}{2}$ | | | G $\frac{3}{4}$ | | |
| Extension | | | | | | | | | |
|  | NPFC-E... | – | G $\frac{1}{8}$ | – | – | G $\frac{1}{8}$ | – | 7 | |
| | | | G $\frac{1}{4}$ | | | G $\frac{1}{4}$ | | | |
| | | | G $\frac{3}{8}$ | | | G $\frac{3}{8}$ | | | |
| | | | G $\frac{1}{2}$ | | | G $\frac{1}{2}$ | | | |
| Double nipple | | | | | | | | | |
|  | NPFC-D | M5 | – | – | M5 | – | – | 8 | |
| | | M7 | – | – | – | G $\frac{1}{8}$ | – | | |
| | | – | G $\frac{1}{8}$ | | | G $\frac{1}{8}$, G $\frac{1}{4}$, G $\frac{3}{8}$ | | | |
| | | | G $\frac{1}{4}$ | | | G $\frac{1}{4}$, G $\frac{3}{8}$, G $\frac{1}{2}$ | | | |
| | | | G $\frac{3}{8}$ | | | G $\frac{3}{8}$, G $\frac{1}{2}$ | | | |
| | | | G $\frac{1}{2}$ | | | G $\frac{1}{2}$ | | | |
| | | | – | R $\frac{1}{8}$ | | – | R $\frac{1}{8}$, R $\frac{1}{4}$, R $\frac{3}{8}$ | | |
| | | | | R $\frac{1}{4}$ | | | R $\frac{1}{4}$, R $\frac{3}{8}$, R $\frac{1}{2}$ | | |
| | | | | R $\frac{3}{8}$ | | | R $\frac{3}{8}$, R $\frac{1}{2}$ | | |
| | | | | R $\frac{1}{2}$ | | | R $\frac{1}{2}$, R $\frac{3}{4}$ | | |
| | | | R $\frac{3}{4}$ | | | R $\frac{3}{4}$ | | | |
| | | | R1 | | | R1 | | | |
| Reducing nipple – internal thread/external thread | | | | | | | | | |
|  | NPFC-R | M5 | – | – | – | G $\frac{1}{8}$ | – | 9 | |
| | | – | G $\frac{1}{8}$ | | | G $\frac{1}{4}$, G $\frac{3}{8}$ | | | |
| | | | G $\frac{1}{4}$ | | | G $\frac{3}{8}$ | | | |
| | | | G $\frac{3}{8}$ | | | G $\frac{1}{2}$ | | | |
| Reducing nipples – external thread/internal thread | | | | | | | | | |
|  | NPFC-R | – | G $\frac{1}{8}$ | – | M5 | – | – | 9 | |
| | | | G $\frac{1}{4}$ | | | – | G $\frac{1}{8}$ | | |
| | | | G $\frac{3}{8}$ | | | | G $\frac{1}{8}$, G $\frac{1}{4}$ | | |
| | | | G $\frac{1}{2}$ | | | | G $\frac{1}{4}$, G $\frac{3}{8}$ | | |
| | | | G $\frac{3}{4}$ | | | | G $\frac{1}{2}$ | | |

1) Sealing with thread sealing tape, GWB-0,1 Part No. 9076, is recommended for the parallel thread of the threaded fitting NPFB.

Threaded fittings NPFC

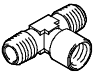
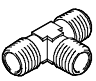
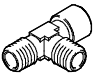
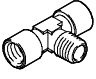
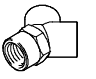
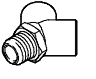
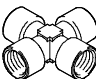
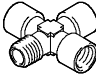
Product range overview

| Design | Version | Type | Connection D1 | | | Connection D2 | | | → Page/ Internet |
|-------------------------------------------------------------------------------------|-------------------------------------------------------------------------------------|--------|---------------|------------------------|------------------------|---------------|------------------------|------------------------|---------------------|
| | | | M thread | G thread ¹⁾ | R thread ¹⁾ | M thread | G thread ¹⁾ | R thread ¹⁾ | |
| L-shape | Elbow fitting – internal thread | | | | | | | | |
| |  | NPFC-L | M5 | – | – | – | – | – | 10 |
| | | | – | G1/8 | – | – | – | – | |
| | | | – | G1/4 | | | | | |
| | | | – | G3/8 | | | | | |
| | | | – | G1/2 | | | | | |
| | | | – | G3/4 | | | | | |
| | | | – | G1 | | | | | |
| | Elbow fitting – external thread/internal thread | | | | | | | | |
| |  | NPFC-L | M5 | – | – | M5 | – | – | 10 |
| | | | – | G1/8 | – | – | – | R1/8 | |
| | | | – | G1/4 | | | | R1/4 | |
| – | | | G3/8 | R3/8 | | | | | |
| – | | | G1/2 | R1/2 | | | | | |
| – | | | G3/4 | R3/4 | | | | | |
| – | | | G1 | R1 | | | | | |
| Elbow fitting – external thread | | | | | | | | | |
|  | NPFC-L | M5 | – | – | – | – | – | 11 | |
| | | – | – | R1/8 | – | – | – | | |
| | | – | – | R1/4 | | | | | |
| | | – | – | R3/8 | | | | | |
| | | – | – | R1/2 | | | | | |
| | | – | – | R3/4 | | | | | |
| T-shape | T-fitting – internal thread | | | | | | | | |
| |  | NPFC-T | – | G1/8 | – | – | – | – | 11 |
| | | | – | G1/4 | – | – | – | – | |
| | | | – | G3/8 | | | | | |
| | | | – | G1/2 | | | | | |
| | | | – | G3/4 | | | | | |
| | | | – | G1 | | | | | |
| | T-fitting – internal thread/external thread/internal thread | | | | | | | | |
| |  | NPFC-T | M5 | – | – | M5 | – | – | 12 |
| | | | – | G1/8 | – | – | – | R1/8 | |
| | | | – | G1/4 | | | | R1/4 | |
| | | | – | G3/8 | | | | R3/8 | |
| – | | | G1/2 | R1/2 | | | | | |
| – | | | G3/4 | R3/4 | | | | | |
| – | | | G1 | R1 | | | | | |

1) Sealing with thread sealing tape, GWB-0,1 Part No. 9076, is recommended for the parallel thread of the threaded fitting NPFB.

Threaded fittings NPFC

Product range overview

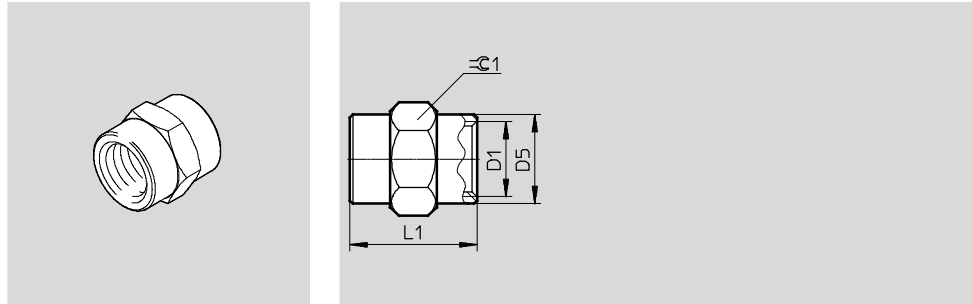
| Design | Version | Type | Connection D1 | | | Connection D2 | | | → Page/ Internet | |
|---------|-------------------------------------------------------------------------------------|-------------------------------------------------------------------------------------|---------------|----------------------------------|----------------------------------|----------------------------------|----------------------------------|----------------------------------|---------------------|----|
| | | | M thread | G thread ¹⁾ | R thread ¹⁾ | M thread | G thread ¹⁾ | R thread ¹⁾ | | |
| T-shape | T-fitting – internal thread/external thread/external thread | | | | | | | | | |
| |  | NPFC-T | – | G 1/8 G 1/4 G 3/8 G 1/2 | – | – | – | R 1/8 R 1/4 R 3/8 R 1/2 | 12 | |
| | T-fitting – external thread | | | | | | | | | |
| |  | NPFC-T | – | – | R 1/4 R 3/8 R 1/2 | – | – | – | 13 | |
| | T-fitting – external thread/external thread/internal thread | | | | | | | | | |
| |  | NPFC-T | – | – | R 1/8 R 1/4 R 1/2 | – | G 1/8 G 1/4 G 1/2 | – | 13 | |
| | T-fitting – external thread/internal thread/internal thread | | | | | | | | | |
| |  | NPFC-T | – | – | R 1/8 R 1/4 R 3/8 R 1/2 | – | G 1/8 G 1/4 G 3/8 G 1/2 | – | 14 | |
| | Y-shape | Y-fitting – internal thread | | | | | | | | |
| | |  | NPFC-Y | – | G 1/4 G 3/8 G 1/2 | – | – | – | – | 15 |
| | | Y-fitting – external thread/internal thread/internal thread | | | | | | | | |
| | |  | NPFC-Y | – | – | R 1/8 R 1/4 R 3/8 R 1/2 | – | G 1/8 G 1/4 G 3/8 G 1/2 | – | 15 |
| X-shape | X-fitting – internal thread | | | | | | | | | |
| |  | NPFC-X | – | G 1/4 G 3/8 G 1/2 | – | – | – | – | 16 | |
| | X-fitting – external thread/internal thread/internal thread/internal thread | | | | | | | | | |
| |  | NPFC-X | – | G 1/4 G 1/2 | – | – | – | R 1/4 R 1/2 | 16 | |

1) Sealing with thread sealing tape, GWB-0,1 Part No. 9076, is recommended for the parallel thread of the threaded fitting NPFB.

Threaded fittings NPFC

Technical data

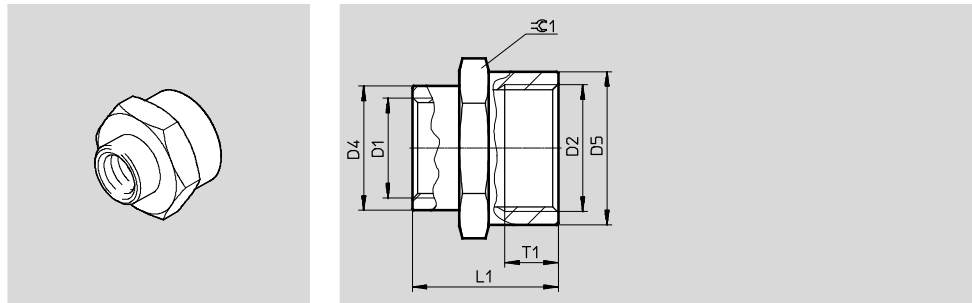
Sleeve NPFC-S



| Dimensions and ordering data | | | | | | | |
|-------------------------------|------|----|-----|------------------|----------------|----------------------|------------------|
| Connection | D5 | L1 | ≈C1 | Weight/piece [g] | Part no. | Type | PU ¹⁾ |
| D1 | ∅ | | | | | | |
| M thread | | | | | | | |
| M5 | 7.5 | 11 | 8 | – | 8030290 | NPFC-S-2M5-F | 10 |
| G thread | | | | | | | |
| G ¹ / ₈ | 13.5 | 15 | 14 | – | 8030291 | NPFC-S-2G18-F | 10 |
| G ¹ / ₄ | 16.5 | 22 | 17 | – | 8030292 | NPFC-S-2G14-F | 10 |
| G ³ / ₈ | 21.5 | 24 | 22 | – | 8030293 | NPFC-S-2G38-F | 10 |
| G ¹ / ₂ | 25.5 | 30 | 26 | – | 8030294 | NPFC-S-2G12-F | 10 |
| G ³ / ₄ | 31.5 | 32 | 32 | – | 8030295 | NPFC-S-2G34-F | 10 |

1) Packaging unit quantity

Reducing sleeve NPFC-R



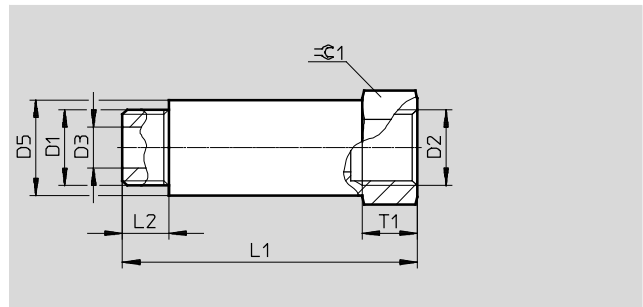
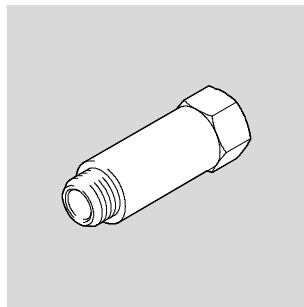
| Dimensions and ordering data | | | | | | | | | | |
|-------------------------------|-------------------------------|----|------|----|------|-----|------------------|----------------|-------------------------|------------------|
| Connection | D2 | D4 | D5 | L1 | T1 | ≈C1 | Weight/piece [g] | Part no. | Type | PU ¹⁾ |
| D1 | | ∅ | ∅ | | | | | | | |
| G ¹ / ₈ | G ³ / ₈ | 13 | 20.5 | 20 | 10.5 | 22 | – | 8030296 | NPFC-R-G38-G18-F | 10 |
| G ¹ / ₂ | G ³ / ₄ | 25 | 29.8 | 30 | 14.5 | 30 | – | 8030297 | NPFC-R-G34-G12-F | 10 |

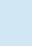
1) Packaging unit quantity

Threaded fittings NPFC

Technical data

Extension NPFC-E...



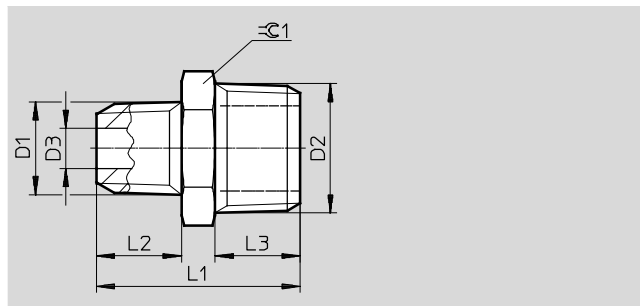
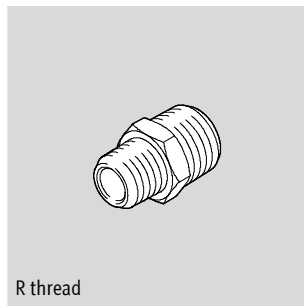
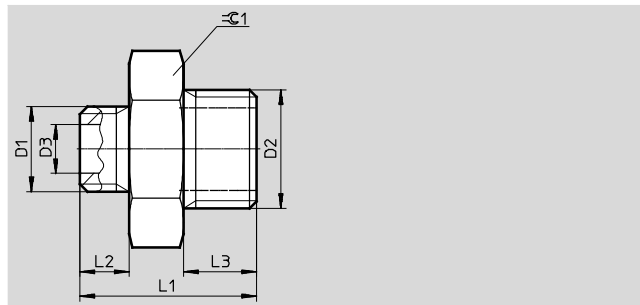
| Dimensions and ordering data | | | | | | | | | | | |
|-------------------------------|-------------------------------|-----|------|----|----|-----|-------------------------------------------------------------------------------------|------------------|----------|-----------------|------------------|
| Connection | | D3 | D5 | L1 | L2 | T1 |  | Weight/piece [g] | Part no. | Type | PU ¹⁾ |
| D1 | D2 | ∅ | ∅ | | | | | | | | |
| E1 | | | | | | | | | | | |
| G ¹ / ₈ | G ¹ / ₈ | 5.5 | 13 | 22 | 6 | 7.5 | 14 | - | 8030298 | NPFC-E1-2G18-FM | 10 |
| G ¹ / ₄ | G ¹ / ₄ | 7 | 16.5 | 28 | 8 | 10 | 17 | - | 8030299 | NPFC-E1-2G14-FM | 10 |
| G ³ / ₈ | G ³ / ₈ | 11 | 21.8 | 32 | 9 | 10 | 22 | - | 8030300 | NPFC-E1-2G38-FM | 10 |
| G ¹ / ₂ | G ¹ / ₂ | 14 | 25.5 | 35 | 10 | 11 | 26 | - | 8030301 | NPFC-E1-2G12-FM | 10 |
| E2 | | | | | | | | | | | |
| G ¹ / ₈ | G ¹ / ₈ | 5 | 13.5 | 32 | 6 | 6.5 | 14 | - | 8030302 | NPFC-E2-2G18-FM | 10 |
| G ¹ / ₄ | G ¹ / ₄ | 8 | 17 | 35 | 8 | 9.5 | 17 | - | 8030303 | NPFC-E2-2G14-FM | 10 |
| E3 | | | | | | | | | | | |
| G ¹ / ₈ | G ¹ / ₈ | 5.5 | 13 | 42 | 6 | 7.5 | 14 | - | 8030304 | NPFC-E3-2G18-FM | 10 |
| G ¹ / ₄ | G ¹ / ₄ | 8 | 17 | 51 | 8 | 9.5 | 17 | - | 8030305 | NPFC-E3-2G14-FM | 10 |
| E4 | | | | | | | | | | | |
| G ¹ / ₈ | G ¹ / ₈ | 5 | 13.5 | 51 | 6 | 6.5 | 14 | - | 8030306 | NPFC-E4-2G18-FM | 10 |

1) Packaging unit quantity

Threaded fittings NPFC

Technical data

Double nipple NPFC-D



| Dimensions and ordering data | | | | | | | | | | |
|------------------------------|-----------------|-----|------|------|------|--------------|--------------|----------|------------------|------------------|
| Connection | | D3 | L1 | L2 | L3 | $\approx C1$ | Weight/piece | Part no. | Type | PU ¹⁾ |
| D1 | D2 | ∅ | | | | | [g] | | | |
| M thread | | | | | | | | | | |
| M5 | M5 | 2.5 | 11.5 | 4 | 4 | 8 | – | 8030267 | NPFC-D-2M5-M | 10 |
| M7 | G $\frac{1}{8}$ | 4 | 14.5 | 4 | 6 | 14 | – | 8030268 | NPFC-D-M7-G18-M | 10 |
| G thread | | | | | | | | | | |
| G $\frac{1}{8}$ | G $\frac{1}{8}$ | 5.5 | 16.5 | 6 | 6 | 14 | – | 8030269 | NPFC-D-2G18-M | 10 |
| | G $\frac{1}{4}$ | 5.5 | 19 | 6 | 8 | 17 | – | 8030270 | NPFC-D-G18-G14-M | 10 |
| | G $\frac{3}{8}$ | 5.5 | 20 | 6 | 9 | 19 | – | 8030271 | NPFC-D-G18-G38-M | 10 |
| G $\frac{1}{4}$ | G $\frac{1}{4}$ | 8 | 21 | 8 | 8 | 17 | – | 8030272 | NPFC-D-2G14-M | 10 |
| | G $\frac{3}{8}$ | 8 | 22 | 8 | 9 | 19 | – | 8030273 | NPFC-D-G14-G38-M | 10 |
| | G $\frac{1}{2}$ | 8 | 23.5 | 8 | 10 | 24 | – | 8030274 | NPFC-D-G14-G12-M | 10 |
| G $\frac{3}{8}$ | G $\frac{3}{8}$ | 11 | 23 | 9 | 9 | 19 | – | 8030275 | NPFC-D-2G38-M | 10 |
| | G $\frac{1}{2}$ | 11 | 24.5 | 9 | 10 | 24 | – | 8030276 | NPFC-D-G38-G12-M | 10 |
| G $\frac{1}{2}$ | G $\frac{1}{2}$ | 15 | 25.5 | 10 | 10 | 24 | – | 8030277 | NPFC-D-2G12-M | 10 |
| R thread | | | | | | | | | | |
| R $\frac{1}{8}$ | R $\frac{1}{8}$ | 5.5 | 19.5 | 7.5 | 7.5 | 12 | – | 8030278 | NPFC-D-2R18-M | 10 |
| | R $\frac{1}{4}$ | 5.5 | 23.5 | 7.5 | 11 | 14 | – | 8030279 | NPFC-D-R18-R14-M | 10 |
| | R $\frac{3}{8}$ | 5.5 | 24 | 7.5 | 11.5 | 17 | – | 8030280 | NPFC-D-R18-R38-M | 10 |
| R $\frac{1}{4}$ | R $\frac{1}{4}$ | 8 | 27 | 11 | 11 | 14 | – | 8030281 | NPFC-D-2R14-M | 10 |
| | R $\frac{3}{8}$ | 8 | 27.5 | 11 | 11.5 | 17 | – | 8030282 | NPFC-D-R14-R38-M | 10 |
| | R $\frac{1}{2}$ | 8 | 30.5 | 11 | 14 | 22 | – | 8030283 | NPFC-D-R14-R12-M | 10 |
| R $\frac{3}{8}$ | R $\frac{3}{8}$ | 11 | 28 | 11.5 | 11.5 | 17 | – | 8030284 | NPFC-D-2R38-M | 10 |
| | R $\frac{1}{2}$ | 11 | 31 | 11.5 | 14 | 22 | – | 8030285 | NPFC-D-R38-R12-M | 10 |
| R $\frac{1}{2}$ | R $\frac{1}{2}$ | 15 | 33.5 | 14 | 14 | 22 | – | 8030286 | NPFC-D-2R12-M | 10 |
| | R $\frac{3}{4}$ | 15 | 37.5 | 14 | 16.5 | 27 | – | 8030287 | NPFC-D-R12-R34-M | 10 |
| R $\frac{3}{4}$ | R $\frac{3}{4}$ | 19 | 40 | 16.5 | 16.5 | 27 | – | 8030288 | NPFC-D-2R34-M | 10 |
| R1 | R1 | 24 | 46.5 | 19 | 19 | 34 | – | 8030289 | NPFC-D-2R1-M | 10 |

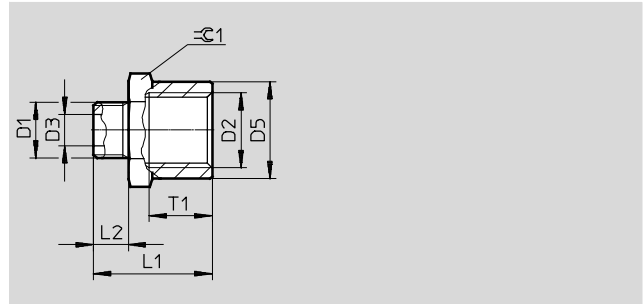
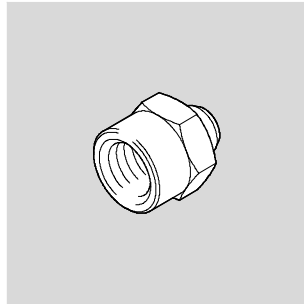
1) Packaging unit quantity

Threaded fittings NPFC

Technical data

Reducing nipple NPFC-R

Internal thread/external thread

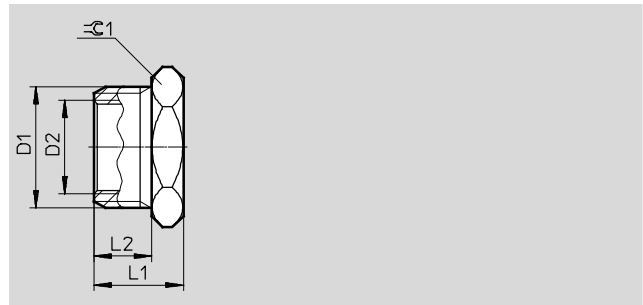
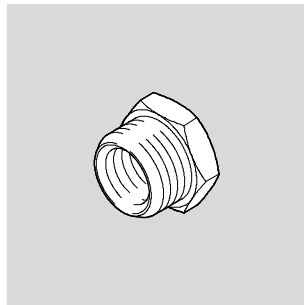


| Dimensions and ordering data | | | | | | | | | | | |
|------------------------------|------|-----|------|------|----|------|--------------|------------------|----------|-------------------|------------------|
| Connection | | D3 | D5 | L1 | L2 | T1 | $\approx C1$ | Weight/piece [g] | Part no. | Type | PU ¹⁾ |
| D1 | D2 | ∅ | ∅ | | | | | | | | |
| M5 | G1/8 | 2.5 | 13.5 | 14.5 | 4 | 7.4 | 14 | – | 8030314 | NPFC-R-G18-M5-FM | 10 |
| G1/8 | G1/4 | 5.5 | 17 | 20.5 | 6 | 9.5 | 17 | – | 8030315 | NPFC-R-G14-G18-FM | 10 |
| | G3/8 | 5.5 | 21.5 | 21.5 | 6 | 10.5 | 22 | – | 8030316 | NPFC-R-G38-G18-FM | 10 |
| G1/4 | G3/8 | 8 | 21.5 | 23.5 | 8 | 10.5 | 22 | – | 8030317 | NPFC-R-G38-G14-FM | 10 |
| G3/8 | G1/2 | 11 | 25 | 27.5 | 9 | 13 | 26 | – | 8030318 | NPFC-R-G12-G38-FM | 10 |

1) Packaging unit quantity

Reducing nipple NPFC-R

External thread/internal thread



| Dimensions and ordering data | | | | | | | | | | | |
|------------------------------|------|------|----|--------------|------------------|----------|-------------------|--|--|------------------|--|
| Connection | | L1 | L2 | $\approx C1$ | Weight/piece [g] | Part no. | Type | | | PU ¹⁾ | |
| D1 | D2 | | | | | | | | | | |
| G1/8 | M5 | 10.5 | 6 | 14 | – | 8030307 | NPFC-R-G18-M5-MF | | | 10 | |
| G1/4 | G1/8 | 13 | 8 | 17 | – | 8030308 | NPFC-R-G14-G18-MF | | | 10 | |
| G3/8 | G1/8 | 14 | 9 | 19 | – | 8030309 | NPFC-R-G38-G18-MF | | | 10 | |
| | G1/4 | 14 | 9 | 19 | – | 8030310 | NPFC-R-G38-G14-MF | | | 10 | |
| G1/2 | G1/4 | 15.5 | 10 | 24 | – | 8030311 | NPFC-R-G12-G14-MF | | | 10 | |
| | G3/8 | 15.5 | 10 | 24 | – | 8030312 | NPFC-R-G12-G38-MF | | | 10 | |
| G3/4 | G1/2 | 17.5 | 12 | 30 | – | 8030313 | NPFC-R-G34-G12-MF | | | 10 | |

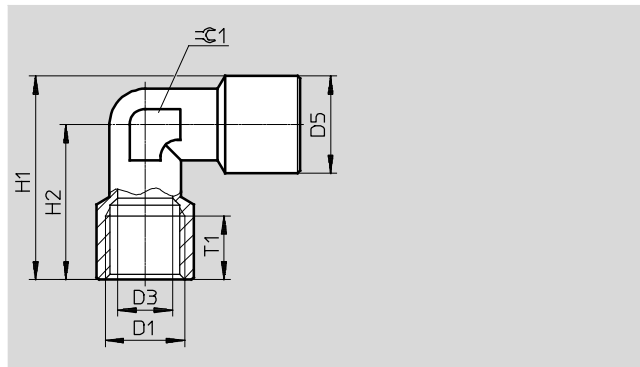
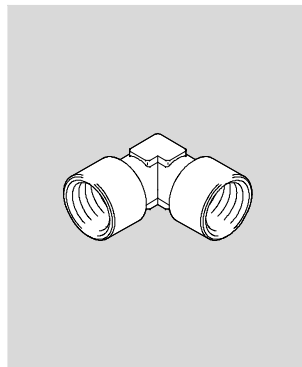
1) Packaging unit quantity

Threaded fittings NPFC

Technical data

Elbow fitting NPFC-L

Internal thread

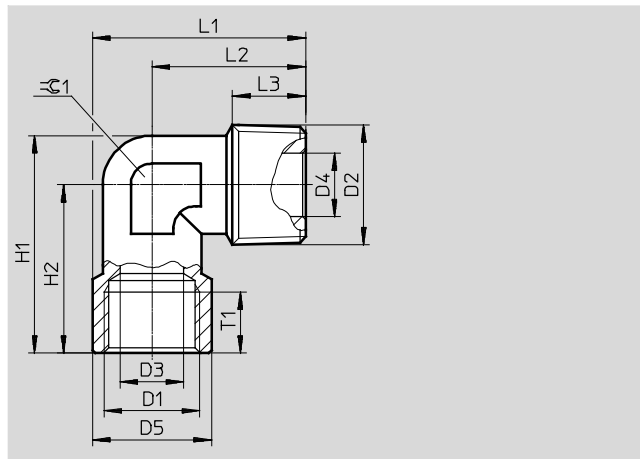
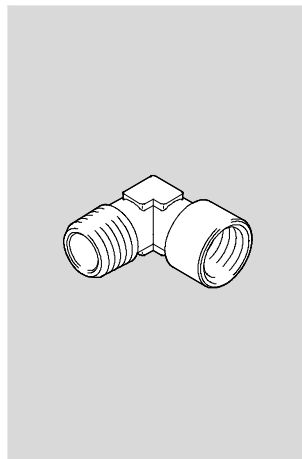


| Dimensions and ordering data | | | | | | | | | | |
|------------------------------|---------------|---------------|------|------|------|------------------|------------------|----------------|---------------|------------------|
| Connection | D3 | D5 | H1 | H2 | T1 | $\varnothing C1$ | Weight/piece [g] | Part no. | Type | PU ¹⁾ |
| D1 | \varnothing | \varnothing | | | | | | | | |
| M5 | 4.2 | 8.5 | 15.3 | 11 | 4 | 9 | – | 8030208 | NPFC-L-2M5-F | 10 |
| G $\frac{1}{8}$ | 6 | 13 | 27.5 | 21 | 7.4 | 11 | – | 8030209 | NPFC-L-2G18-F | 10 |
| G $\frac{1}{4}$ | 8 | 16.5 | 33.8 | 25.5 | 9.5 | 13 | – | 8030210 | NPFC-L-2G14-F | 10 |
| G $\frac{3}{8}$ | 11 | 20.5 | 38.3 | 28 | 10.5 | 17 | – | 8030211 | NPFC-L-2G38-F | 10 |
| G $\frac{1}{2}$ | 15 | 25.5 | 44.8 | 32 | 13 | 20 | – | 8030212 | NPFC-L-2G12-F | 10 |
| G $\frac{3}{4}$ | 19 | 32 | 52.5 | 36.5 | 14.5 | 27 | – | 8030213 | NPFC-L-2G34-F | 10 |
| G1 | 24 | 39 | 64.5 | 45 | 16.5 | 30 | – | 8030214 | NPFC-L-2G1-F | 10 |

1) Packaging unit quantity

Elbow fitting NPFC-L

External thread/internal thread



| Dimensions and ordering data | | | | | | | | | | | | | | | |
|------------------------------|-----------------|---------------|---------------|---------------|------|------|------|------|------|------------------|------------------|----------|----------------|-------------------|-----------|
| Connection | D3 | D4 | D5 | H1 | H2 | L1 | L2 | L3 | T1 | $\varnothing C1$ | Weight/piece [g] | Part no. | Type | PU ¹⁾ | |
| D1 | D2 | \varnothing | \varnothing | \varnothing | | | | | | | | | | | |
| M5 | M5 | 3 | 2.5 | 8.5 | 15.8 | 11.5 | 15.8 | 11.5 | 4 | 5 | 9 | – | 8030215 | NPFC-L-2M5-MF | 10 |
| G $\frac{1}{8}$ | R $\frac{1}{8}$ | 6 | 5.5 | 13 | 26 | 19 | 24.5 | 18 | 7.5 | 7.4 | 11 | – | 8030216 | NPFC-L-R18-G18-MF | 10 |
| G $\frac{1}{4}$ | R $\frac{1}{4}$ | 8 | 8 | 16.5 | 31.5 | 25.5 | 32.3 | 24 | 11 | 9.5 | 13 | – | 8030217 | NPFC-L-R14-G14-MF | 10 |
| G $\frac{3}{8}$ | R $\frac{3}{8}$ | 11 | 11 | 20.5 | 35.5 | 28 | 37.3 | 27 | 11.5 | 10.5 | 17 | – | 8030218 | NPFC-L-R38-G38-MF | 10 |
| G $\frac{1}{2}$ | R $\frac{1}{2}$ | 15 | 15 | 25.5 | 41.7 | 32 | 42.3 | 29.5 | 14 | 13 | 20 | – | 8030219 | NPFC-L-R12-G12-MF | 10 |
| G $\frac{3}{4}$ | R $\frac{3}{4}$ | 19 | 19 | 32 | 48.5 | 36.5 | 48 | 32 | 14.7 | 14.5 | 27 | – | 8030220 | NPFC-L-R34-G34-MF | 10 |
| G1 | R1 | 24 | 24 | 39 | 59.5 | 45 | 58.5 | 39 | 15.7 | 16.5 | 30 | – | 8030221 | NPFC-L-R1-G1-MF | 10 |

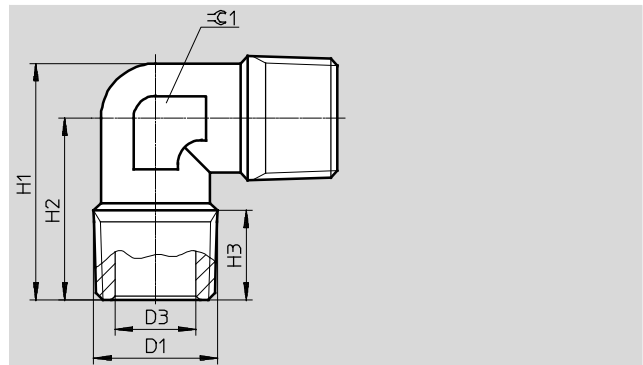
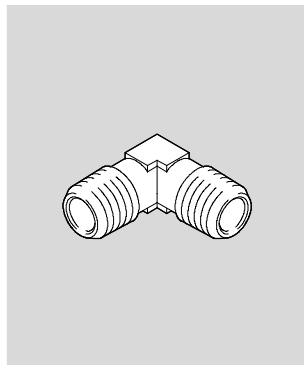
1) Packaging unit quantity

Threaded fittings NPFC

Technical data

Elbow fitting NPFC-L

External thread

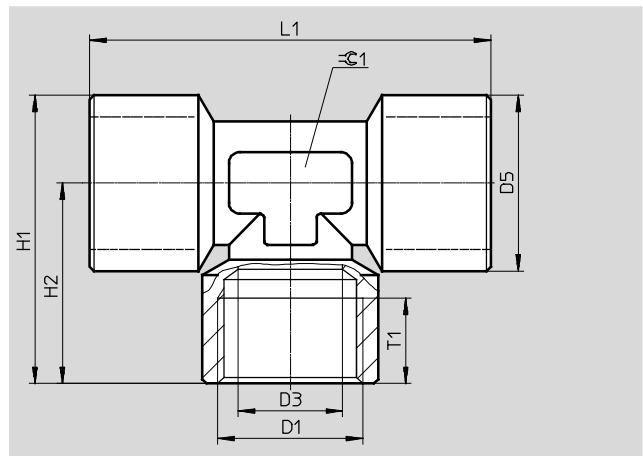
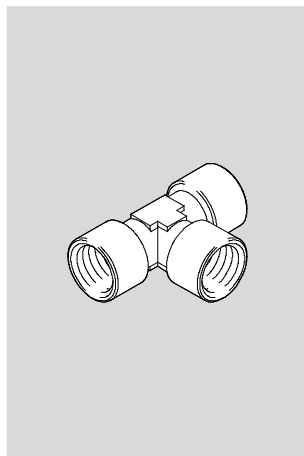


| Dimensions and ordering data | | | | | | | | | | |
|------------------------------|---------------|------|------|------|--------------|--------------|----------|---------------|------------------|--|
| Connection | D3 | H1 | H2 | H3 | $\approx C1$ | Weight/piece | Part no. | Type | PU ¹⁾ | |
| D1 | \varnothing | | | | | [g] | | | | |
| M5 | 2.5 | 15.8 | 11.5 | 4 | 9 | - | 8030222 | NPFC-L-2M5-M | 10 | |
| R $\frac{1}{8}$ | 5.5 | 23 | 18 | 7.5 | 11 | - | 8030223 | NPFC-L-2R18-M | 10 | |
| R $\frac{1}{4}$ | 8 | 31 | 24 | 11 | 13 | - | 8030224 | NPFC-L-2R14-M | 10 | |
| R $\frac{3}{8}$ | 11 | 34.5 | 27 | 11.5 | 17 | - | 8030225 | NPFC-L-2R38-M | 10 | |
| R $\frac{1}{2}$ | 15 | 39.2 | 29.5 | 14 | 20 | - | 8030226 | NPFC-L-2R12-M | 10 | |
| R $\frac{3}{4}$ | 19 | 44 | 32 | 13 | 27 | - | 8030227 | NPFC-L-2R34-M | 10 | |

1) Packaging unit quantity

T-fitting NPFC-T

Internal thread



| Dimensions and ordering data | | | | | | | | | | | |
|------------------------------|---------------|---------------|------|------|----|------|--------------|--------------|----------|---------------|------------------|
| Connection | D3 | D5 | H1 | H2 | L1 | T1 | $\approx C1$ | Weight/piece | Part no. | Type | PU ¹⁾ |
| D1 | \varnothing | \varnothing | | | | | | [g] | | | |
| G $\frac{1}{8}$ | 6 | 13 | 26 | 19.5 | 39 | 7.4 | 12 | - | 8030235 | NPFC-T-3G18-F | 10 |
| G $\frac{1}{4}$ | 8 | 16.5 | 32.8 | 24.5 | 49 | 9.5 | 13 | - | 8030236 | NPFC-T-3G14-F | 10 |
| G $\frac{3}{8}$ | 11 | 20.5 | 37.3 | 27 | 54 | 10.5 | 16 | - | 8030237 | NPFC-T-3G38-F | 10 |
| G $\frac{1}{2}$ | 15 | 25.5 | 44.8 | 32 | 64 | 13 | 20 | - | 8030238 | NPFC-T-3G12-F | 10 |
| G $\frac{3}{4}$ | 19 | 32 | 52.5 | 36.5 | 73 | 14.5 | 27 | - | 8030239 | NPFC-T-3G34-F | 10 |
| G1 | 24 | 39 | 64.5 | 45 | 90 | 16.5 | 30 | - | 8030240 | NPFC-T-3G1-F | 10 |

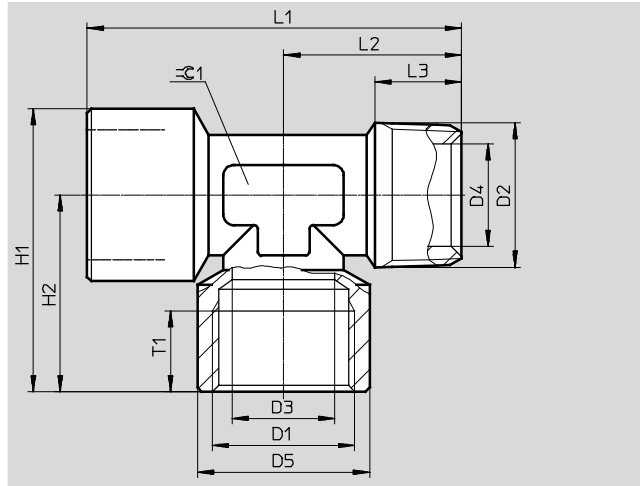
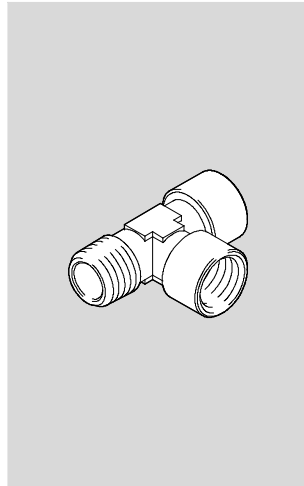
1) Packaging unit quantity

Threaded fittings NPFC

Technical data

T-fitting NPFC-T

Internal thread/external thread/
internal thread

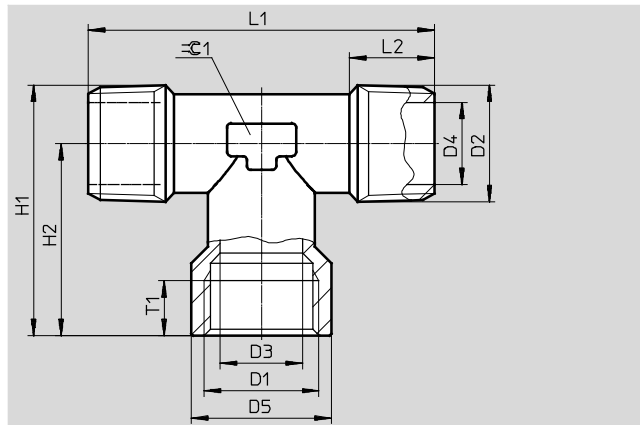
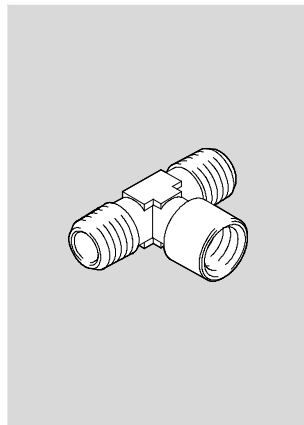


| Dimensions and ordering data | | | | | | | | | | | | | | | | |
|------------------------------|-----------------|----|-----|------|------|------|------|------|------|------|--------------|------------------|----------|---------------------|------------------|--|
| Connection | | D3 | D4 | D5 | H1 | H2 | L1 | L2 | L3 | T1 | $\approx C1$ | Weight/piece [g] | Part no. | Type | PU ¹⁾ | |
| D1 | D2 | ∅ | ∅ | ∅ | | | | | | | | | | | | |
| M5 | M5 | 3 | 2.5 | 8.5 | 16.3 | 12 | 22 | 11 | 4 | 5 | 9 | – | 8030245 | NPFC-T-3M5-FMF | 10 | |
| G $\frac{1}{8}$ | R $\frac{1}{8}$ | 6 | 6 | 13 | 26 | 19.5 | 37 | 17.5 | 7.5 | 7.4 | 12 | – | 8030246 | NPFC-T-2G18-R18-FMF | 10 | |
| G $\frac{1}{4}$ | R $\frac{1}{4}$ | 8 | 8 | 16.5 | 32.8 | 24.6 | 47.5 | 23 | 11 | 9.5 | 13 | – | 8030247 | NPFC-T-2G14-R14-FMF | 10 | |
| G $\frac{3}{8}$ | R $\frac{3}{8}$ | 11 | 11 | 20.5 | 37.3 | 27.1 | 52.5 | 25.5 | 11.5 | 10.5 | 16 | – | 8030248 | NPFC-T-2G38-R38-FMF | 10 | |
| G $\frac{1}{2}$ | R $\frac{1}{2}$ | 15 | 15 | 25.5 | 44.8 | 32.1 | 61.5 | 29.5 | 14 | 13 | 20 | – | 8030249 | NPFC-T-2G12-R12-FMF | 10 | |
| G $\frac{3}{4}$ | R $\frac{3}{4}$ | 19 | 19 | 32 | 52.5 | 36.5 | 68.5 | 32 | 14 | 14.5 | 27 | – | 8030250 | NPFC-T-2G34-R34-FMF | 10 | |
| G1 | R1 | 24 | 24 | 39 | 64.5 | 45 | 84 | 39 | 16 | 16.5 | 30 | – | 8030251 | NPFC-T-2G1-R1-FMF | 10 | |

1) Packaging unit quantity

T-fitting NPFC-T

Internal thread/external thread/
external thread



| Dimensions and ordering data | | | | | | | | | | | | | | | | |
|------------------------------|-----------------|----|-----|------|------|------|------|------|------|--------------|------------------|----------|---------------------|------------------|--|--|
| Connection | | D3 | D4 | D5 | H1 | H2 | L1 | L2 | T1 | $\approx C1$ | Weight/piece [g] | Part no. | Type | PU ¹⁾ | | |
| D1 | D2 | ∅ | ∅ | ∅ | | | | | | | | | | | | |
| G $\frac{1}{8}$ | R $\frac{1}{8}$ | 6 | 5.5 | 13 | 24.5 | 19.5 | 35 | 7.5 | 7.4 | 12 | – | 8030255 | NPFC-T-G18-2R18-FMM | 10 | | |
| G $\frac{1}{4}$ | R $\frac{1}{4}$ | 8 | 8 | 16.5 | 31 | 24.5 | 46 | 11 | 9.5 | 13 | – | 8030256 | NPFC-T-G14-2R14-FMM | 10 | | |
| G $\frac{3}{8}$ | R $\frac{3}{8}$ | 11 | 11 | 20.5 | 35.5 | 27 | 51.5 | 11.5 | 10.5 | 16 | – | 8030257 | NPFC-T-G38-2R38-FMM | 10 | | |
| G $\frac{1}{2}$ | R $\frac{1}{2}$ | 15 | 15 | 25.5 | 42.8 | 32 | 59 | 14 | 13 | 20 | – | 8030258 | NPFC-T-G12-2R12-FMM | 10 | | |

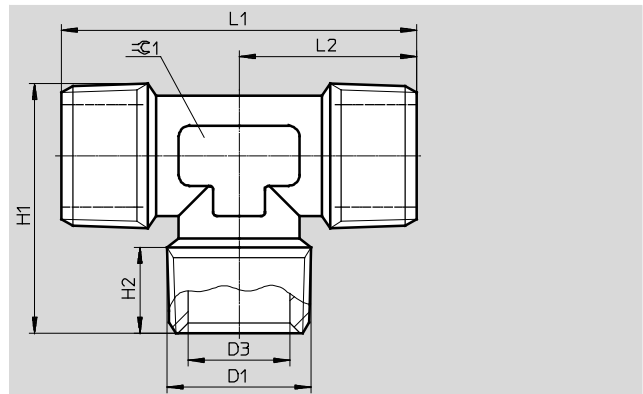
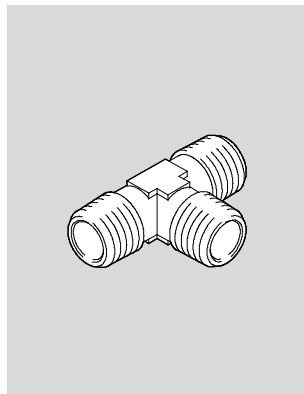
1) Packaging unit quantity

Threaded fittings NPFC

Technical data

T-fitting NPFC-T

External thread

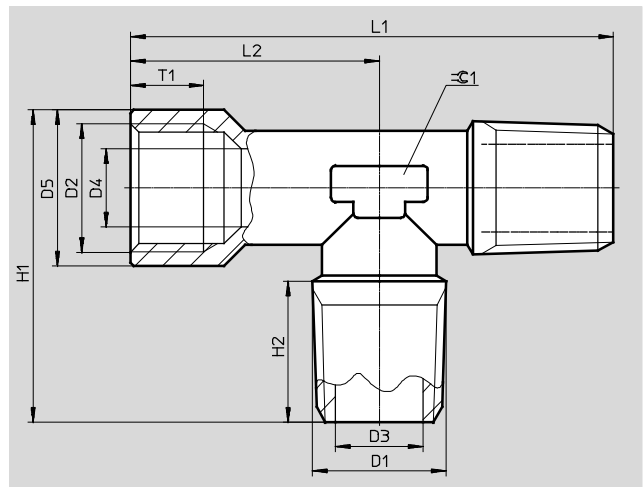
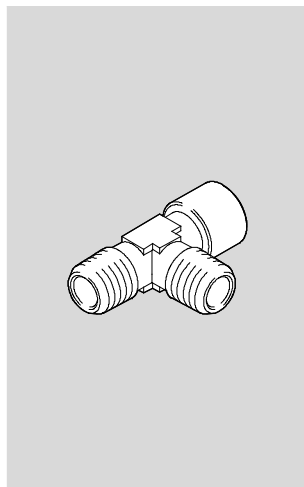


| Dimensions and ordering data | | | | | | | | | | | |
|------------------------------|---------|------|------|------|------|--------------|---------------------|----------|---------------|------------------|--|
| Connection D1 | D3 ∅ | H1 | H2 | L1 | L2 | $\approx C1$ | Weight/piece [g] | Part no. | Type | PU ¹⁾ | |
| R $\frac{1}{4}$ | 8 | 29.8 | 11 | 46 | 23 | 13 | - | 8030252 | NPFC-T-3R14-M | 10 | |
| R $\frac{3}{8}$ | 11 | 34.1 | 11.5 | 51.5 | 25.5 | 16 | - | 8030253 | NPFC-T-3R38-M | 10 | |
| R $\frac{1}{2}$ | 15 | 40.3 | 14 | 59 | 29.5 | 20 | - | 8030254 | NPFC-T-3R12-M | 10 | |

1) Packaging unit quantity

T-fitting NPFC-T

External thread/external thread/
internal thread



| Dimensions and ordering data | | | | | | | | | | | | | | |
|------------------------------|-----------------|---------|---------|---------|------|-----|------|------|-----|--------------|---------------------|----------|---------------------|------------------|
| Connection D1 | D2 | D3 ∅ | D4 ∅ | D5 ∅ | H1 | H2 | L1 | L2 | T1 | $\approx C1$ | Weight/piece [g] | Part no. | Type | PU ¹⁾ |
| R $\frac{1}{8}$ | G $\frac{1}{8}$ | 5.5 | 6 | 13 | 24 | 7.5 | 37 | 19.5 | 7.4 | 12 | - | 8030259 | NPFC-T-2R18-G18-MMF | 10 |
| R $\frac{1}{4}$ | G $\frac{1}{4}$ | 8 | 8 | 16.5 | 31.3 | 11 | 47.5 | 24.5 | 9.5 | 13 | - | 8030260 | NPFC-T-2R14-G14-MMF | 10 |
| R $\frac{1}{2}$ | G $\frac{1}{2}$ | 15 | 15 | 25.5 | 42.3 | 14 | 61.5 | 32 | 13 | 20 | - | 8030261 | NPFC-T-2R12-G12-MMF | 10 |

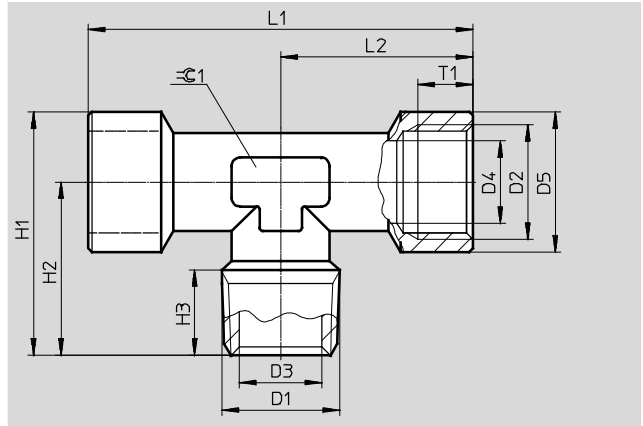
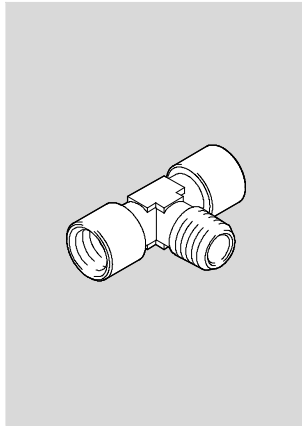
1) Packaging unit quantity

Threaded fittings NPFC

Technical data

T-fitting NPFC-T

External thread/internal thread/
internal thread



| Dimensions and ordering data | | | | | | | | | | | | | | | |
|-------------------------------|-------------------------------|-----|----|------|------|------|------|----|------|------|----|--------------|----------------|----------------------------|------------------|
| Connection | | D3 | D4 | D5 | H1 | H2 | H3 | L1 | L2 | T1 | ≅1 | Weight/piece | Part no. | Type | PU ¹⁾ |
| D1 | D2 | ∅ | ∅ | ∅ | | | | | | | | [g] | | | |
| R ¹ / ₈ | G ¹ / ₈ | 5.5 | 6 | 13 | 24 | 17.5 | 8 | 39 | 19.5 | 7.4 | 12 | - | 8030241 | NPFC-T-R18-2G18-MFF | 10 |
| R ¹ / ₄ | G ¹ / ₄ | 8 | 8 | 16.5 | 31.3 | 23 | 11 | 49 | 24.5 | 9.5 | 13 | - | 8030242 | NPFC-T-R14-2G14-MFF | 10 |
| R ³ / ₈ | G ³ / ₈ | 11 | 11 | 20.5 | 35.8 | 25.5 | 11.5 | 54 | 27 | 10.5 | 16 | - | 8030243 | NPFC-T-R38-2G38-MFF | 10 |
| R ¹ / ₂ | G ¹ / ₂ | 15 | 15 | 25.5 | 41.8 | 29 | 14 | 64 | 32 | 13 | 20 | - | 8030244 | NPFC-T-R12-2G12-MFF | 10 |

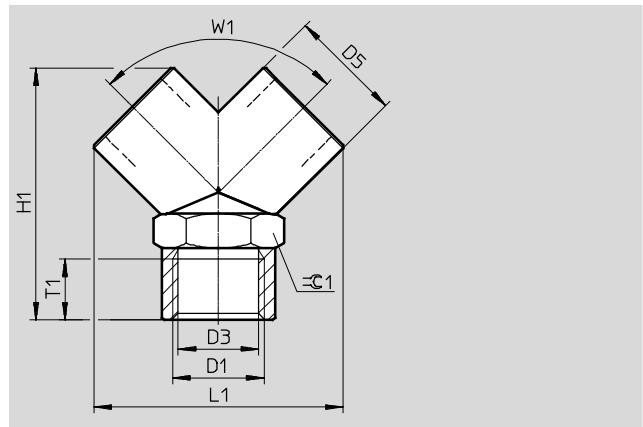
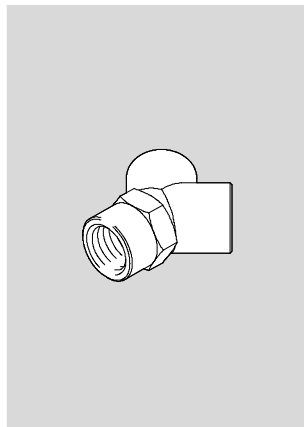
1) Packaging unit quantity

Threaded fittings NPFC

Technical data

Y-fitting NPFC-Y

Internal thread

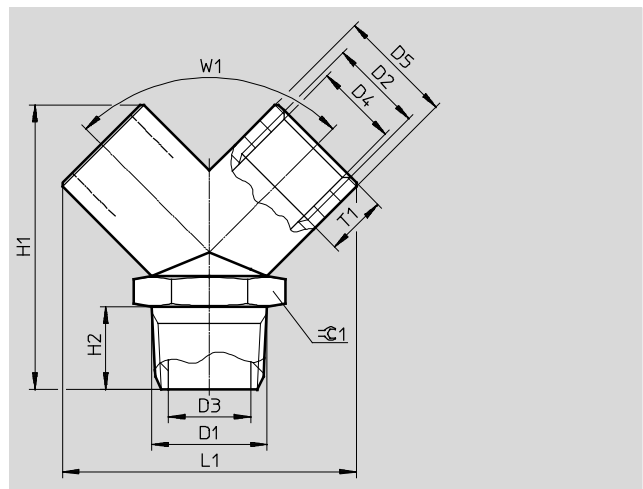
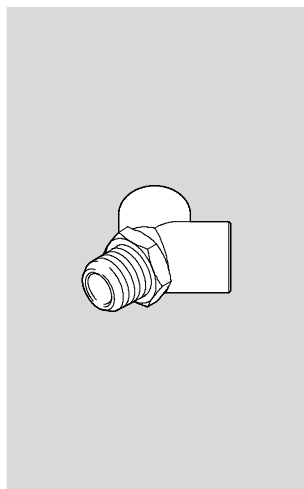


| Dimensions and ordering data | | | | | | | | | | | |
|-------------------------------|------|----|------|------|------|-----|-----|--------------|----------|---------------|------------------|
| Connection | D3 | D5 | H1 | L1 | T1 | W1 | ≈C1 | Weight/piece | Part no. | Type | PU ¹⁾ |
| D1 | ∅ | ∅ | | | | | | [g] | | | |
| G ¹ / ₄ | 11.5 | 17 | 36.8 | 36.8 | 9.5 | 90° | 17 | - | 8030228 | NPFC-Y-3G14-F | 10 |
| G ³ / ₈ | 15 | 22 | 46 | 46 | 10.5 | 90° | 22 | - | 8030229 | NPFC-Y-3G38-F | 10 |
| G ¹ / ₂ | 18.5 | 26 | 58 | 57.3 | 13 | 90° | 26 | - | 8030230 | NPFC-Y-3G12-F | 10 |

1) Packaging unit quantity

Y-fitting NPFC-Y

External thread/internal thread/
internal thread



| Dimensions and ordering data | | | | | | | | | | | | | | |
|-------------------------------|-------------------------------|-----|------|----|------|------|------|------|-----|--------------|----------|---------|---------------------|----|
| Connection | D3 | D4 | D5 | H1 | H2 | L1 | T1 | W1 | ≈C1 | Weight/piece | Part no. | Type | PU ¹⁾ | |
| D1 | D2 | ∅ | ∅ | ∅ | | | | | | [g] | | | | |
| R ¹ / ₈ | G ¹ / ₈ | 5.5 | 8.5 | 14 | 32.8 | 9 | 32.5 | 8.5 | 90° | 14 | - | 8030231 | NPFC-Y-R18-2G18-MFF | 10 |
| R ¹ / ₄ | G ¹ / ₄ | 8 | 11.5 | 17 | 37 | 11 | 37 | 9.5 | 90° | 17 | - | 8030232 | NPFC-Y-R14-2G14-MFF | 10 |
| R ³ / ₈ | G ³ / ₈ | 11 | 15 | 22 | 46 | 12.5 | 46 | 10.5 | 90° | 22 | - | 8030233 | NPFC-Y-R38-2G38-MFF | 10 |
| R ¹ / ₂ | G ¹ / ₂ | 15 | 18.5 | 26 | 58 | 16.5 | 57.3 | 13 | 90° | 26 | - | 8030234 | NPFC-Y-R12-2G12-MFF | 10 |

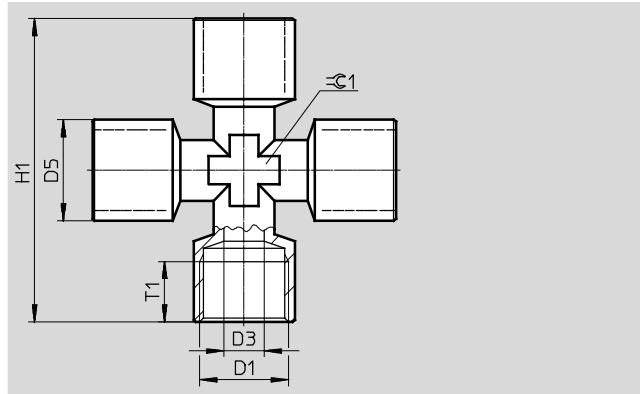
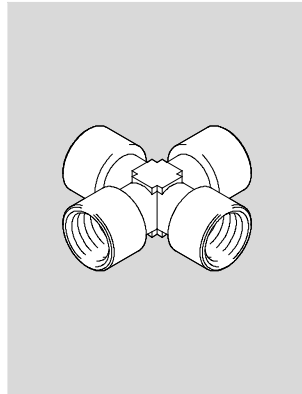
1) Packaging unit quantity

Threaded fittings NPFC

Technical data

X-fitting NPFC-X

Internal thread

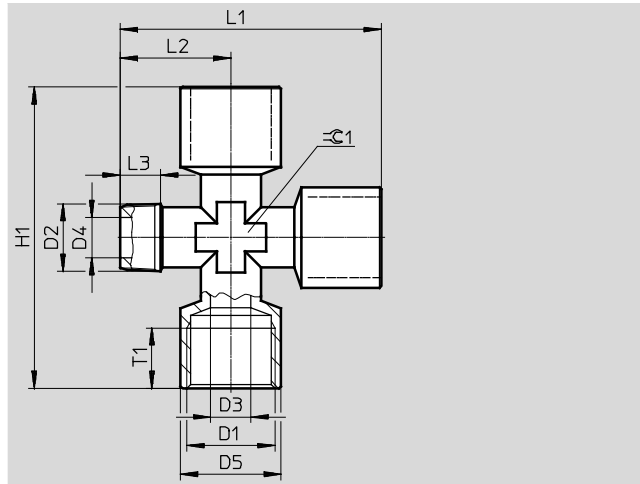
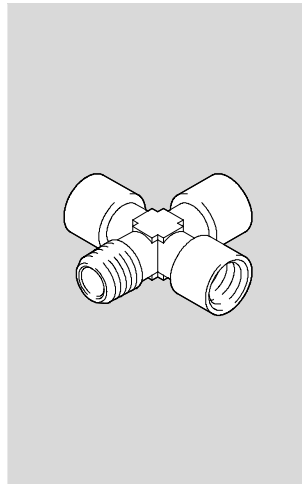


| Dimensions and ordering data | | | | | | | | | | |
|-------------------------------|----|------|----|------|---------------------|------------------|----------------|----------------------|------------------|--|
| Connection | D3 | D5 | H1 | T1 | $\approx \text{D1}$ | Weight/piece [g] | Part no. | Type | PU ¹⁾ | |
| D1 | ∅ | ∅ | | | | | | | | |
| G ¹ / ₄ | 8 | 16.5 | 50 | 9.5 | 13 | - | 8030262 | NPFC-X-4G14-F | 10 | |
| G ³ / ₈ | 11 | 20.5 | 56 | 10.5 | 17 | - | 8030263 | NPFC-X-4G38-F | 10 | |
| G ¹ / ₂ | 15 | 25.5 | 64 | 13 | 20 | - | 8030264 | NPFC-X-4G12-F | 10 | |

1) Packaging unit quantity

X-fitting NPFC-X

External thread/internal thread/
internal thread/internal thread



| Dimensions and ordering data | | | | | | | | | | | | | | |
|-------------------------------|-------------------------------|----|----|------|----|------|------|----|-----|---------------------|------------------|----------------|-----------------------------|------------------|
| Connection | D2 | D3 | D4 | D5 | H1 | L1 | L2 | L3 | T1 | $\approx \text{D1}$ | Weight/piece [g] | Part no. | Type | PU ¹⁾ |
| D1 | | ∅ | ∅ | ∅ | | | | | | | | | | |
| G ¹ / ₄ | R ¹ / ₄ | 8 | 8 | 16.5 | 50 | 48.5 | 23.5 | 11 | 9.5 | 13 | - | 8030265 | NPFC-X-R14-3G14-MFFF | 10 |
| G ¹ / ₂ | R ¹ / ₂ | 15 | 15 | 25.5 | 64 | 61 | 29 | 14 | 13 | 20 | - | 8030266 | NPFC-X-R12-3G12-MFFF | 10 |

1) Packaging unit quantity