

Electrical connection technology, for multi-pin plug connection

Technical data

Connecting cable
NEBV-S1G25
NEBV-S1WA25

- Connecting cable for multi-pin plug connection
- Pre-assembled
- Straight or angled socket
- Cable lengths 2.5 m, 5 m or 10 m
- 15 or 25 wires
- Sub-D



General technical data					
Type		S1G25-...-LE15	S1G25-...-LE25	S1G25-...-LE 25-S6	S1WA25-...-LE 25-S9
Type of mounting		4-40UNC	4-40UNC	4-40UNC	4-40UNC
Nominal operating voltage	[V DC]	24	24	≤30	≤30
Acceptable current load at 40 °C	[A]	–	–	2.6	2.6
Electrical connection		Socket, Sub-D, 15-pin	Socket, Sub-D, 25-pin	Socket, Sub-D, 25-pin	Socket, Sub-D, 25-pin
Cable diameter Ø	[mm]	9	10.5	10.2±0.25	10.2±0.25
Min. cable bending radius	[mm]	90	105	122	122
Mounting position		–	–	Any	Any
Cable characteristics		Standard	Standard	For static applications	For static applications
Degree of protection to EN 60529 (in assembled state)		–	–	IP40	IP65, IP67

Materials					
Type		S1G25-...-LE15	S1G25-...-LE25	S1G25-...-LE 25-S6	S1WA25-...-LE 25-S9
Housing		PBT	PBT	Reinforced PC	Reinforced PA
Union nut		PA	PA	–	–
Seals		TPE-O	TPE-O	–	–
Cable sheath		PVC	PVC	PVC	PVC
Pin contacts		–	–	Gold-plated bronze	Gold-plated bronze

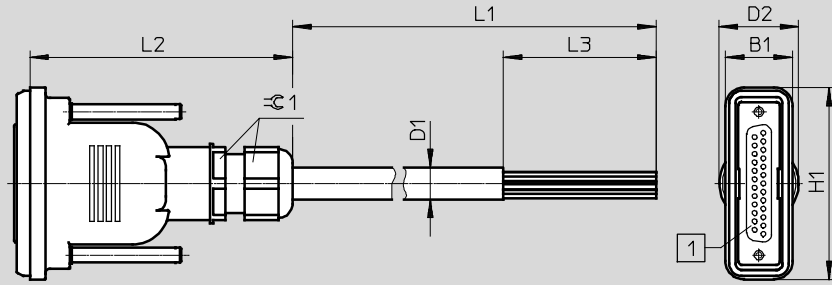
Operating and environmental conditions					
Type		S1G25-...-LE15	S1G25-...-LE25	S1G25-...-LE 25-S6	S1WA25-...-LE 25-S9
Ambient temperature	[°C]	–	–	–5 ... +80	–5 ... +80
Ambient temperature for flexible cable installation	[°C]	–5 ... +50	–5 ... +50	–	–
Degree of contamination		–	–	2	3
Note on materials		RoHS-compliant	RoHS-compliant	RoHS-compliant	RoHS-compliant

Electrical connection technology, for multi-pin plug connection

Technical data

Dimensions

Download CAD data → www.festo.com

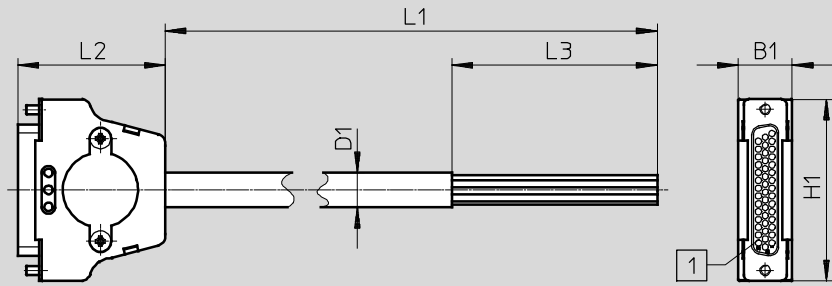


1 Sub-D socket, straight
(...-LE15 – 15-pin,
...-LE25 – 25-pin)

Type	B1	D1 ∅	D2 ∅	H1	L1	L2	L3	≈C1
NEBV-S1G25-K-2,5-N-LE15	22	9	26	62.8	2,500	86±0.5	60	24
NEBV-S1G25-K-5-N-LE15					5,000			
NEBV-S1G25-K-10-N-LE15					10,000			
NEBV-S1G25-K-2.5-N-LE25	22	10.4	26	62.8	2,500	86±0.5	50	24
NEBV-S1G25-K-5-N-LE25					5,000			
NEBV-S1G25-K-10-N-LE25					10,000			

Dimensions

Download CAD data → www.festo.com



1 Sub-D socket, 25-pin, straight

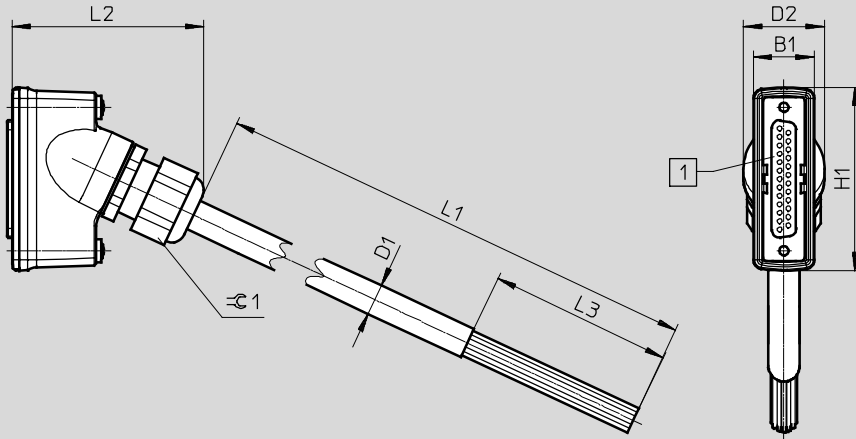
Type	B1	D1 ∅	H1	L1	L2	L3
NEBV-S1G25-K-2.5-N-LE25-S6	15.8	10.2	53	2,500	43.1	60
NEBV-S1G25-K-5-N-LE25-S6				5,000		
NEBV-S1G25-K-10-N-LE25-S6				10,000		

Electrical connection technology, for multi-pin plug connection

Technical data

Dimensions

Download CAD data → www.festo.com



1 Sub-D socket, 25-pin, angled

Type	B1	D1 Ø	D2 Ø	H1	L1	L2	L3	r1
NEBV-S1WA25-K-2.5-N-LE25-S9	20	10.2	26.5	60	2,500	60	60	24
NEBV-S1WA25-K-5-N-LE25-S9					5,000			
NEBV-S1WA25-K-10-N-LE25-S9					10,000			

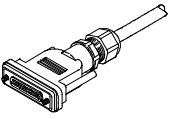
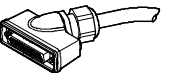
Circuitry (socket view)

	NEBV- ... -LE15		NEBV- ... -LE25	
	Pin	Wire colour ¹⁾	Pin	Wire colour ¹⁾
	1	WH	1	WH
	2	BN	2	BN
	3	GN	3	GN
	4	YE	4	YE
	5	GY	5	GY
	6	PK	6	PK
	7	BU	7	BU
	8	RD	8	RD
	9	BK	9	BK
	10	VT	10	VT
	11	GY PK	11	GY PK
	12	RD BU	12	RD BU
	13	-	13	GN WH
	14	-	14	BN GN
	15	-	15	YE WH
	16	-	16	BN YE
	17	-	17	GY WH
	18	-	18	BN GY
	19	-	19	WH PK
	20	-	20	BN PK
	21	-	21	BU WH
	22	-	22	BN BU
	23	GN WH	23	RD WH
	24	BN GN	24	BN RD
	25	YE WH	25	BK WH

1) To IEC 757

Electrical connection technology, for multi-pin plug connection

Technical data

Ordering data						
	Electrical connection	Cable composition [mm ²]	Product weight [g]	Cable length [m]	Part No.	Type
	Straight socket	15x0.34	370	2.5	538222	NEBV-S1G25-K-2.5-N-LE15
			670	5	538223	NEBV-S1G25-K-5-N-LE15
			1,270	10	538224	NEBV-S1G25-K-10-N-LE15
		20x0.25 + 5x0.34	490	2.5	538225	NEBV-S1G25-K-2.5-N-LE25
			910	5	538226	NEBV-S1G25-K-5-N-LE25
			1,750	10	538227	NEBV-S1G25-K-10-N-LE25
		25x0.34	429	2.5	575417	NEBV-S1G25-K-2.5-N-LE25-S6
			777	5	575418	NEBV-S1G25-K-5-N-LE25-S6
			1,572	10	575419	NEBV-S1G25-K-10-N-LE25-S6
	Angled socket	25x0.34	500	2.5	575423	NEBV-S1WA25-K-2.5-N-LE25-S9
			900	5	575424	NEBV-S1WA25-K-5-N-LE25-S9
			1,800	10	575425	NEBV-S1WA25-K-10-N-LE25-S9