

Universal accessories NEAU, for electrical connection technology

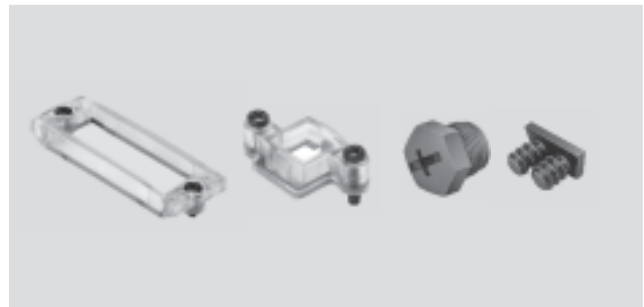
Technical data

Inspection cover AK-SUB
 Cover AK-RJ45
 Cover cap ISK
 Cable cap ASI-KK-FK

Covers are inserted/screwed into or placed/screwed onto unused connections/openings in order to seal them.

They ensure:

- Reliable operation of the respective component
- Attainment of a protection class
- Hazard prevention (e.g. by covering current carrying parts)

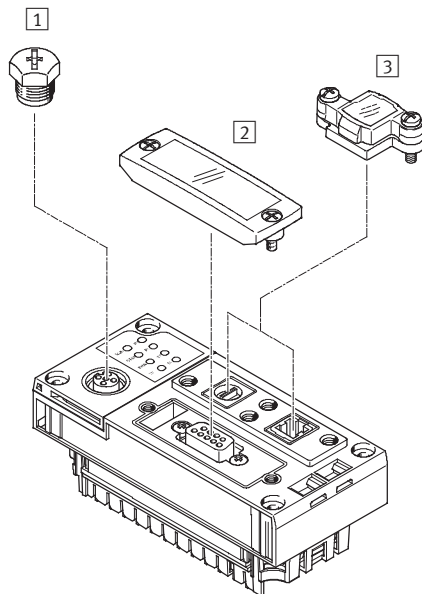


General technical data				
Type	AK-SUB	AK-RJ45	ISK	ASI-KK-FK
Mounting position	–	–	–	Any
Width [mm]	–	33	–	–
Height [mm]	–	8	–	–
Length [mm]	–	20	–	–
Protection class to EN 60529	IP65, IP67 (assembled)	IP65, IP67 (assembled)	–	–
Product weight [g]	20	10	5	–

Materials					
Type	AK-SUB-9/15	AK-SUB-9/15-B	AK-RJ45	ISK	ASI-KK-FK
Housing	–	–	–	PA, reinforced	PA
Cap	PA	–	PA	–	–
Screws	Galvanised steel	–	Steel	–	–
Seal	NBR	–	NBR	–	–
Note on materials	RoHS-compliant	–	–	–	RoHS-compliant

Operating and environmental conditions				
Type	AK-SUB	AK-RJ45	ISK	ASI-KK-FK
Ambient temperature [°C]	–5 ... +50	–5 ... +50	–	–

Examples for attaching covers

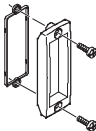
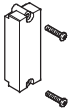
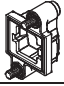
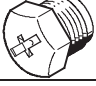



Covers are inserted/screwed into or placed/screwed onto unused connections/openings.

- 1 ISK-M12
- 2 AK-SUB-9/15-B
- 3 AK-RJ45

Universal accessories NEAU, for electrical connection technology

Technical data

Ordering data				
	Description	Mounting	Part No.	Type
	Transparent cover for sealing switches and unused connections (on components of the CPX terminal)	2 screws, M3x10	533334	AK-SUB-9/15-B
	Cover for sealing switches and unused connections (on components of the CPX terminal)	2 screws, M3x16	557010	AK-SUB-9/15
	Cover for sealing switches and unused RJ45 connections (on components of the CPX terminal)	2 screws, M3x14	534496	AK-RJ45
	10 plugs for sealing openings (not pressure-tight) with M8 or M12 female thread (particularly unused electrical connections)	Thread M8	177672	ISK-M8
		Thread M12	165592	ISK-M12
	Plug for sealing the open end of an AS-interface cable	Pushed in by hand	18787	ASI-KK-FK