

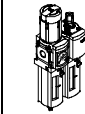
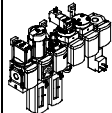
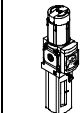
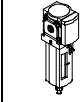
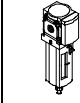
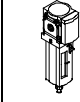
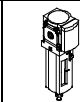
Lubricators MS-LOE, MS series



# Lubricators MS-LOE, MS series

FESTO

Product range overview – MS series service units

Type	Size	Pneumatic connection in housing	Connecting plate	Pressure regulation range [bar]						Grade of filtration [µm]			
				0.05 ... 0.7	0.05 ... 2.5	0.1 ... 4	0.3 ... 7	0.1 ... 12	0.5 ... 16	0.01	1	5	40
Code			AG...	D2	D4	D5	D6	D7	D8	A	B	C	E
<b>Service units</b>													
<b>MSB-FRC</b> 	4	G1/8, G1/4	G1/8, G1/4, G3/8	-	-	-	■	■	-	-	-	■	■
	6	G1/4, G3/8, G1/2	G1/4, G3/8, G1/2, G3/4	-	-	-	■	■	-	-	-	■	■
	9	-	-	-	-	-	-	-	-	-	-	-	-
	12	-	-	-	-	-	-	-	-	-	-	-	-
<b>Service unit combinations (further variants can be ordered using the configurator → Internet: msb4, msb6 or msb9)</b>													
<b>MSB</b> 	4	G1/4	G1/8, G1/4, G3/8	-	-	-	■	■	-	-	-	■	■
	6	G1/2	G1/4, G3/8, G1/2, G3/4	-	-	-	■	■	-	-	-	■	■
	9	-	-	-	-	-	-	-	-	-	-	-	-
	12	-	-	-	-	-	-	-	-	-	-	-	-
<b>Individual devices</b>													
Filter regulators <b>MS-LFR</b> 	4	G1/8, G1/4	G1/8, G1/4, G3/8	-	-	■	■	■	-	-	-	■	■
	6	G1/4, G3/8, G1/2	G1/4, G3/8, G1/2, G3/4	-	-	■	■	■	■	-	-	■	■
	9	G3/4, G1	G1/2, G3/4, G1, G1 1/4, G1 1/2	-	-	■	■	■	■	-	-	■	■
	12	-	G1, G1 1/4, G1 1/2, G2	-	-	-	■	■	■	-	-	■	■
Filters <b>MS-LF</b> 	4	G1/8, G1/4	G1/8, G1/4, G3/8	-	-	-	-	-	-	-	-	■	■
	6	G1/4, G3/8, G1/2	G1/4, G3/8, G1/2, G3/4	-	-	-	-	-	-	-	-	■	■
	9	G3/4, G1	G1/2, G3/4, G1, G1 1/4, G1 1/2	-	-	-	-	-	-	-	-	■	■
	12	-	G1, G1 1/4, G1 1/2, G2	-	-	-	-	-	-	-	-	■	■
Fine and micro filters <b>MS-LFM</b> 	4	G1/8, G1/4	G1/8, G1/4, G3/8	-	-	-	-	-	-	■	■	-	-
	6	G1/4, G3/8, G1/2	G1/4, G3/8, G1/2, G3/4	-	-	-	-	-	-	■	■	-	-
	9	G3/4, G1	G1/2, G3/4, G1, G1 1/4, G1 1/2	-	-	-	-	-	-	■	■	-	-
	12	-	G1, G1 1/4, G1 1/2, G2	-	-	-	-	-	-	■	■	-	-
Activated carbon filters <b>MS-LFX</b> 	4	G1/8, G1/4	G1/8, G1/4, G3/8	-	-	-	-	-	-	-	-	-	-
	6	G1/4, G3/8, G1/2	G1/4, G3/8, G1/2, G3/4	-	-	-	-	-	-	-	-	-	-
	9	G3/4, G1	G1/2, G3/4, G1, G1 1/4, G1 1/2	-	-	-	-	-	-	-	-	-	-
	12	-	G1, G1 1/4, G1 1/2, G2	-	-	-	-	-	-	-	-	-	-
Water separators <b>MS-LWS</b> 	4	-	-	-	-	-	-	-	-	-	-	-	-
	6	G1/4, G3/8, G1/2	G1/4, G3/8, G1/2, G3/4	-	-	-	-	-	-	-	-	-	-
	9	G3/4, G1	G1/2, G3/4, G1, G1 1/4, G1 1/2	-	-	-	-	-	-	-	-	-	-
	12	-	G1, G1 1/4, G1 1/2, G2	-	-	-	-	-	-	-	-	-	-

# Lubricators MS-LOE, MS series

Product range overview – MS series service units



Type	Size	Bowl guard		Condensate drains				Pressure indicator					Security		Options		→ Page/ Internet
		Plastic bowl with plastic bowl guard	Metal bowl	Manual rotary	Semi-automatic	Fully automatic	External, fully automatic, electrical	Cover plate (without pressure gauge)	Integrated MS pressure gauge	Adapter plate for EN pressure gauge G1/8	Adapter plate for EN pressure gauge G1/4	Pressure sensor	Rotary knob with detent, lockable via accessories	Rotary knob with integrated lock	Silencer	Flow direction from right to left	
Code		R	U	M	H	V	E...	VS	AG	A8	A4	AD...	AS	E11	S	Z	
<b>Service units</b>																	
MSB-FRC	4	■	-	■	-	■	-	-	■	-	-	-	■	-	-	■	msb4
	6	■	■	■	-	■	-	-	■	-	-	-	■	-	-	■	msb6
	9	-	-	-	-	-	-	-	-	-	-	-	-	-	-	-	-
	12	-	-	-	-	-	-	-	-	-	-	-	-	-	-	-	-
<b>Service unit combinations</b>																	
MSB	4	■	■	■	-	■	-	-	■	-	-	-	■	-	-	■	msb4
	6	■	■	■	-	■	-	-	■	-	-	-	■	-	-	■	msb6
	9	-	-	-	-	-	-	-	-	-	-	-	-	-	-	-	-
	12	-	-	-	-	-	-	-	-	-	-	-	-	-	-	-	-
<b>Individual devices</b>																	
Filter regulators MS-LFR	4	■	■	■	■	■	-	■	■	■	■	■	■	■	-	■	ms4-lfr
	6	■	■	■	■	■	■	■	■	-	■	■	■	■	-	■	ms6-lfr
	9	-	■	■	■	■	■	■	■	-	■	■	■	■	-	■	ms9-lfr
	12	-	■	■	-	■	■	■	■	-	■	-	■	■	-	■	ms12-lfr
Filters MS-LF	4	■	■	■	■	■	-	-	-	-	-	-	-	-	-	■	ms4-lf
	6	■	■	■	■	■	■	-	-	-	-	-	-	-	-	■	ms6-lf
	9	-	■	■	■	■	■	-	-	-	-	-	-	-	-	■	ms9-lf
	12	-	■	■	-	■	■	-	-	-	-	-	-	-	-	■	ms12-lf
Fine and micro filters MS-LFM	4	■	■	■	■	■	-	-	-	-	-	-	-	-	-	■	ms4-lfm
	6	■	■	■	■	■	■	-	-	-	-	-	-	-	-	■	ms6-lfm
	9	-	■	■	■	■	■	-	-	-	-	-	-	-	-	■	ms9-lfm
	12	-	■	■	-	■	■	-	-	-	-	-	-	-	-	■	ms12-lfm
Activated carbon filters MS-LFX	4	■	■	-	-	-	-	-	-	-	-	-	-	-	-	■	ms4-lfx
	6	■	■	-	-	-	-	-	-	-	-	-	-	-	-	■	ms6-lfx
	9	-	■	-	-	-	-	-	-	-	-	-	-	-	-	■	ms9-lfx
	12	-	■	-	-	-	-	-	-	-	-	-	-	-	-	■	ms12-lfx
Water separators MS-LWS	4	-	-	-	-	-	-	-	-	-	-	-	-	-	-	-	-
	6	-	■	-	-	■	■	-	-	-	-	-	-	-	-	■	ms6-lws
	9	-	■	-	-	■	■	-	-	-	-	-	-	-	-	■	ms9-lws
	12	-	■	-	-	■	■	-	-	-	-	-	-	-	-	■	ms12-lws

# Lubricators MS-LOE, MS series



Product range overview – MS series service units

Type	Size	Pneumatic connection in housing	Connecting plate	Pressure regulation range [bar]						Supply voltage			
				0.05 ... 0.7	0.05 ... 2.5	0.1 ... 4	0.3 ... 7	0.1 ... 12	0.5 ... 16	24 V DC, connection pattern to EN 175301	24 V DC, connection M12 to IEC 61076-2-101	110 V AC, connection pattern to EN 175301	230 V AC, connection pattern to EN 175301
Code			AG...	D2	D4	D5	D6	D7	D8	V24	V24P	V110	V230
<b>Individual devices</b>													
Pressure regulators <b>MS-LR</b>		4	G1/8, G1/4	G1/8, G1/4, G3/8	-	-	■	■	■	-	-	-	-
		6	G1/4, G3/8, G1/2	G1/4, G3/8, G1/2, G3/4	-	-	■	■	■	■	-	-	-
		9	G3/4, G1	G1/2, G3/4, G1, G1 1/4, G1 1/2	-	-	■	■	■	■	-	-	-
		12	-	G1, G1 1/4, G1 1/2, G2	-	-	-	■	■	■	-	-	-
Pressure regulators <b>MS-LRB</b>		4	G1/4	G1/8, G1/4, G3/8	-	-	■	■	■	-	-	-	-
		6	G1/2	G1/4, G3/8, G1/2, G3/4	-	-	■	■	■	■	-	-	-
		9	-	-	-	-	-	-	-	-	-	-	-
		12	-	-	-	-	-	-	-	-	-	-	-
Precision pressure regulators <b>MS-LRP</b>		4	-	-	-	-	-	-	-	-	-	-	-
		6	G1/4, G3/8, G1/2	G1/4, G3/8, G1/2, G3/4	■	■	■	-	■	-	-	-	-
		9	-	-	-	-	-	-	-	-	-	-	-
		12	-	-	-	-	-	-	-	-	-	-	-
Precision pressure regulators <b>MS-LRPB</b>		4	-	-	-	-	-	-	-	-	-	-	-
		6	G1/2	G1/4, G3/8, G1/2, G3/4	■	■	■	-	■	-	-	-	-
		9	-	-	-	-	-	-	-	-	-	-	-
		12	-	-	-	-	-	-	-	-	-	-	-
Electrical pressure regulators <b>MS-LRE</b>		4	-	-	-	-	-	-	-	-	-	-	-
		6	G1/4, G3/8, G1/2	G1/4, G3/8, G1/2, G3/4	-	-	■	■	■	■	-	-	-
		9	-	-	-	-	-	-	-	-	-	-	-
		12	-	-	-	-	-	-	-	-	-	-	-
Lubricators <b>MS-LOE</b>		4	G1/8, G1/4	G1/8, G1/4, G3/8	-	-	-	-	-	-	-	-	-
		6	G1/4, G3/8, G1/2	G1/4, G3/8, G1/2, G3/4	-	-	-	-	-	-	-	-	-
		9	G3/4, G1	G1/2, G3/4, G1, G1 1/4, G1 1/2	-	-	-	-	-	-	-	-	-
		12	-	G1, G1 1/4, G1 1/2, G2	-	-	-	-	-	-	-	-	-
On-off valves, manually actuated <b>MS-EM(1)</b>		4	G1/8, G1/4	G1/8, G1/4, G3/8	-	-	-	-	-	-	-	-	-
		6	G1/4, G3/8, G1/2	G1/4, G3/8, G1/2, G3/4	-	-	-	-	-	-	-	-	-
		9	G3/4, G1	G1/2, G3/4, G1, G1 1/4, G1 1/2	-	-	-	-	-	-	-	-	-
		12	-	G1, G1 1/4, G1 1/2, G2	-	-	-	-	-	-	-	-	-
On-off valves, electrically actuated <b>MS-EE</b>		4	G1/8, G1/4	G1/8, G1/4, G3/8	-	-	-	-	-	-	■	-	■
		6	G1/4, G3/8, G1/2	G1/4, G3/8, G1/2, G3/4	-	-	-	-	-	-	■	-	■
		9	G3/4, G1	G1/2, G3/4, G1, G1 1/4, G1 1/2	-	-	-	-	-	-	■	■	■
		12	-	G1, G1 1/4, G1 1/2, G2	-	-	-	-	-	-	■	■	■
Soft-start valves, pneumatically actuated <b>MS-DL</b>		4	G1/8, G1/4	G1/8, G1/4, G3/8	-	-	-	-	-	-	-	-	-
		6	G1/4, G3/8, G1/2	G1/4, G3/8, G1/2, G3/4	-	-	-	-	-	-	-	-	-
		9	-	-	-	-	-	-	-	-	-	-	-
		12	-	G1, G1 1/4, G1 1/2, G2	-	-	-	-	-	-	-	-	-
Soft-start valves, electrically actuated <b>MS-DE</b>		4	G1/8, G1/4	G1/8, G1/4, G3/8	-	-	-	-	-	-	■	-	■
		6	G1/4, G3/8, G1/2	G1/4, G3/8, G1/2, G3/4	-	-	-	-	-	-	■	-	■
		9	-	-	-	-	-	-	-	-	-	-	-
		12	-	G1, G1 1/4, G1 1/2, G2	-	-	-	-	-	-	■	■	■

# Lubricators MS-LOE, MS series

Product range overview – MS series service units

Type	Size	Bowl guard		Pressure indicator				Security			Options		→ Page/ Internet
		Plastic bowl with plastic bowl guard	Metal bowl	Cover plate (without pressure gauge)	Integrated MS pressure gauge	Adapter plate for EN pressure gauge G1/8	Adapter plate for EN pressure gauge G1/4	Pressure sensor	Rotary knob with detent, lockable via accessories	Rotary knob with integrated lock	Silencer	Flow direction from right to left	
Code		R	U	VS	AG	A8	A4	AD...	AS	E11	S	Z	
<b>Individual devices</b>													
Pressure regulators <b>MS-LR</b>	4	-	-	■	■	■	■	■	■	■	-	■	ms4-lr
	6	-	-	■	■	-	■	■	■	■	-	■	ms6-lr
	9	-	-	■	■	-	■	■	■	■	-	■	ms9-lr
	12	-	-	■	■	-	■	-	■	■	-	■	ms12-lr
Pressure regulators <b>MS-LRB</b>	4	-	-	■	■	■	■	■	■	■	-	■	ms4-lrb
	6	-	-	■	■	-	■	■	■	■	-	■	ms6-lrb
	9	-	-	-	-	-	-	-	-	-	-	-	-
	12	-	-	-	-	-	-	-	-	-	-	-	-
Precision pressure regulators <b>MS-LRP</b>	4	-	-	-	-	-	-	-	-	-	-	-	-
	6	-	-	■	-	■	■	■	■	■	-	■	ms6-lrp
	9	-	-	-	-	-	-	-	-	-	-	-	-
	12	-	-	-	-	-	-	-	-	-	-	-	-
Precision pressure regulators <b>MS-LRPB</b>	4	-	-	-	-	-	-	-	-	-	-	-	-
	6	-	-	■	-	■	■	■	■	■	-	■	ms6-lrpb
	9	-	-	-	-	-	-	-	-	-	-	-	-
	12	-	-	-	-	-	-	-	-	-	-	-	-
Electrical pressure regulators <b>MS-LRE</b>	4	-	-	-	-	-	-	-	-	-	-	-	-
	6	-	-	■	■	-	■	-	-	-	-	■	ms6-lre
	9	-	-	-	-	-	-	-	-	-	-	-	-
	12	-	-	-	-	-	-	-	-	-	-	-	-
Lubricators <b>MS-LOE</b>	4	■	■	-	-	-	-	-	-	-	-	■	8
	6	■	■	-	-	-	-	-	-	-	-	■	8
	9	-	■	-	-	-	-	-	-	-	-	■	15
	12	-	■	-	-	-	-	-	-	-	-	■	22
On-off valves, manually actuated <b>MS-EM(1)</b>	4	-	-	■	■	■	■	■	-	-	■	■	ms4-em1
	6	-	-	■	■	-	■	■	-	-	■	■	ms6-em1
	9	-	-	■	■	-	■	-	-	-	■	■	ms9-em
	12	-	-	■	■	-	■	-	-	-	■	■	ms12-em
On-off valves, electrically actuated <b>MS-EE</b>	4	-	-	■	■	■	■	■	-	-	■	■	ms4-ee
	6	-	-	■	■	-	■	■	-	-	■	■	ms6-ee
	9	-	-	■	■	-	■	-	-	-	■	■	ms9-ee
	12	-	-	■	■	-	■	-	-	-	■	■	ms12-ee
Soft-start valves, pneumatically actuated <b>MS-DL</b>	4	-	-	■	■	■	■	■	-	-	-	■	ms4-dl
	6	-	-	■	■	-	■	■	-	-	-	■	ms6-dl
	9	-	-	-	-	-	-	-	-	-	-	-	-
	12	-	-	■	■	-	■	-	-	-	-	■	ms12-dl
Soft-start valves, electrically actuated <b>MS-DE</b>	4	-	-	■	■	■	■	■	-	-	-	■	ms4-de
	6	-	-	■	■	-	■	■	-	-	-	■	ms6-de
	9	-	-	-	-	-	-	-	-	-	-	-	-
	12	-	-	■	■	-	■	-	-	-	-	■	ms12-de

# Lubricators MS-LOE, MS series

Product range overview – MS series service units



Type	Size	Pneumatic connection in housing	Connecting plate	Performance Level		Supply voltage				
				Category 1, 1-channel	Category 4, 2-channel with self-monitoring	24 V DC, connection pattern to EN 175301	24 V DC, connection M12 to IEC 61076-2-101 / to EN 60947-5-2	110 V AC, connection pattern to EN 175301	230 V AC, connection pattern to EN 175301	
Code			AG...	C	E	V24	V24P	V110	V230	
<b>Individual devices</b>										
Soft start and exhaust valves <b>MS-SV-C</b>		4	–							
		6	G <sup>1</sup> / <sub>2</sub>	G <sup>1</sup> / <sub>4</sub> , G <sup>3</sup> / <sub>8</sub> , G <sup>1</sup> / <sub>2</sub> , G <sup>3</sup> / <sub>4</sub>	■	–	■	■	■	■
		9	G <sup>3</sup> / <sub>4</sub> , G1	G <sup>1</sup> / <sub>2</sub> , G <sup>3</sup> / <sub>4</sub> , G1, G1 <sup>1</sup> / <sub>4</sub> , G1 <sup>1</sup> / <sub>2</sub>	■	–	■	■	■	■
		12	–							
Soft start and exhaust valves <b>MS-SV-E</b>		4	–							
		6	G <sup>1</sup> / <sub>2</sub>	G <sup>1</sup> / <sub>4</sub> , G <sup>3</sup> / <sub>8</sub> , G <sup>1</sup> / <sub>2</sub> , G <sup>3</sup> / <sub>4</sub>	–	■	■	–	–	–
		9	–							
		12	–							
Membrane air dryers <b>MS-LDM1</b>		4	G <sup>1</sup> / <sub>8</sub> , G <sup>1</sup> / <sub>4</sub>	G <sup>1</sup> / <sub>8</sub> , G <sup>1</sup> / <sub>4</sub> , G <sup>3</sup> / <sub>8</sub>	–	–	–	–	–	–
		6	G <sup>1</sup> / <sub>4</sub> , G <sup>3</sup> / <sub>8</sub> , G <sup>1</sup> / <sub>2</sub>	G <sup>1</sup> / <sub>4</sub> , G <sup>3</sup> / <sub>8</sub> , G <sup>1</sup> / <sub>2</sub> , G <sup>3</sup> / <sub>4</sub>	–	–	–	–	–	–
		9	–							
		12	–							
Branching modules <b>MS-FRM</b>		4	G <sup>1</sup> / <sub>8</sub> , G <sup>1</sup> / <sub>4</sub>	G <sup>1</sup> / <sub>8</sub> , G <sup>1</sup> / <sub>4</sub> , G <sup>3</sup> / <sub>8</sub>	–	–	–	–	–	–
		6	G <sup>1</sup> / <sub>4</sub> , G <sup>3</sup> / <sub>8</sub> , G <sup>1</sup> / <sub>2</sub>	G <sup>1</sup> / <sub>4</sub> , G <sup>3</sup> / <sub>8</sub> , G <sup>1</sup> / <sub>2</sub> , G <sup>3</sup> / <sub>4</sub>	–	–	–	–	–	–
		9	G <sup>3</sup> / <sub>4</sub> , G1	G <sup>1</sup> / <sub>2</sub> , G <sup>3</sup> / <sub>4</sub> , G1, G1 <sup>1</sup> / <sub>4</sub> , G1 <sup>1</sup> / <sub>2</sub>	–	–	–	–	–	–
		12	–	G1, G1 <sup>1</sup> / <sub>4</sub> , G1 <sup>1</sup> / <sub>2</sub> , G2	–	–	–	–	–	–
Distributor blocks <b>MS-FRM-FRZ</b>		4	G <sup>1</sup> / <sub>4</sub>	–	–	–	–	–	–	
		6	G <sup>1</sup> / <sub>2</sub>	–	–	–	–	–	–	
		9	–							
		12	–							
Flow sensors <b>SFAM</b>		4	–							
		6	G <sup>1</sup> / <sub>2</sub>	G <sup>1</sup> / <sub>2</sub>	–	–	–	–	–	–
		9	–	G1, G1 <sup>1</sup> / <sub>2</sub>	–	–	–	–	–	–
		12	–							

# Lubricators MS-LOE, MS series

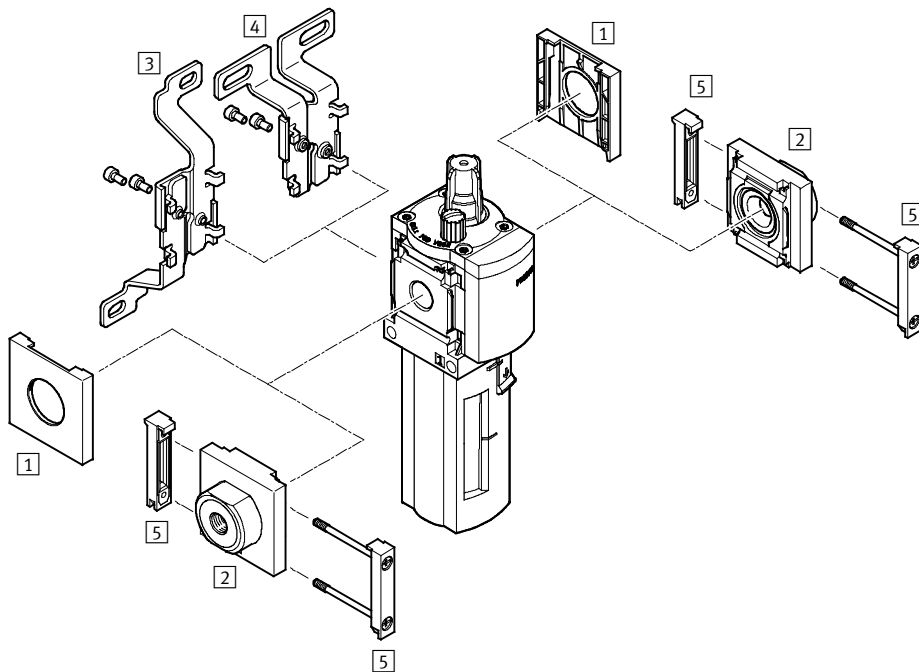
Product range overview – MS series service units



Type	Size	Bowl guard		Pressure indicator				Switch output			Options		→ Page/ Internet
		Plastic bowl with plastic bowl guard	Metal bowl	Cover plate (without pressure gauge)	Integrated MS pressure gauge	Adapter plate for EN pressure gauge G1/8	Adapter plate for EN pressure gauge G1/4	Pressure sensor	2x PNP or NPN, 1 analogue output 4 ... 20 mA	2x PNP or NPN, 1 analogue output 0 ... 10 V	Silencer	Flow direction from right to left	
Code		R	U	VS	AG	A8	A4	AD...	2SA	2SV	S	Z/R	
<b>Individual devices</b>													
Soft start and exhaust valves <b>MS-SV-C</b>	4	-											-
	6	-	-	■	■	-	■	■	-	-	■	■	ms6-sv
	9	-	-	■	■	-	■	■	-	-	■	■	ms9-sv
	12	-											-
Soft start and exhaust valves <b>MS-SV-E</b>	4	-											-
	6	-	-	■	■	-	■	■	-	-	■	■	ms6-sv
	9	-											-
	12	-											-
Membrane air dryers <b>MS-LDM1</b>	4	-	■	-	-	-	-	-	-	-	-	■	ms4-ldm1
	6	-	■	-	-	-	-	-	-	-	-	■	ms6-ldm1
	9	-											-
	12	-											-
Branching modules <b>MS-FRM</b>	4	-	-	■	■	■	■	■	-	-	-	■	ms4-frm
	6	-	-	■	■	-	■	■	-	-	-	■	ms6-frm
	9	-	-	■	■	-	■	■	-	-	-	■	ms9-frm
	12	-	-	■	-	-	-	-	-	-	-	-	ms12-frm
Distributor blocks <b>MS-FRM-FRZ</b>	4	-	-	-	-	-	-	-	-	-	-	■	ms4-frm
	6	-	-	-	-	-	-	-	-	-	-	■	ms6-frm
	9	-											-
	12	-											-
Flow sensors <b>SFAM</b>	4	-											-
	6	-	-	-	-	-	-	-	■	■	-	■	sfam-62
	9	-	-	-	-	-	-	-	■	■	-	■	sfam-90
	12	-											-

## Lubricators MS4/MS6-LOE, MS series

Peripherals overview



-  - Note

Additional accessories:

- Module connector for combination with sizes MS4/MS6 or size MS9 → Internet: amv, rmv, armv
- Adapter plate for mounting on profiles → Internet: ipm-80, ipm-40-80, ipm-80-80

Mounting attachments and accessories						
		Individual unit		Combination		→ Page/Internet
		without connecting plate	with connecting plate	without connecting plate	with connecting plate	
1	Cover cap MS4/6-END	■	-	■	-	ms4-end, ms6-end
2	Connecting plate MS4/6-AG...	-	■	-	■	ms4-ag, ms6-ag
3	Mounting bracket MS4/6-WB	■	■	-	-	ms4-wb, ms6-wb
4	Mounting bracket MS4-WBM	■	■	-	-	ms4-wbm
5	Module connector MS4/6-MV	-	■	■	■	ms4-mv, ms6-mv
-	Mounting bracket MS4/6-WP/WPB/WPE/WPM	-	■	■	■	ms4-wp, ms6-wp



## Lubricators MS4/MS6-LOE, MS series

Type codes

		MS	6	-	LOE	-	1/4	-	U
<b>Series</b>									
MS	Standard service unit								
<b>Size</b>									
4	Grid dimension 40 mm								
6	Grid dimension 62 mm								
<b>Service function</b>									
LOE	Lubricators								
<b>Connection size</b>									
MS4									
1/8	Thread G1/8								
1/4	Thread G1/4								
MS6									
1/4	Thread G1/4								
3/8	Thread G3/8								
1/2	Thread G1/2								
<b>Bowl guard</b>									
R	Plastic bowl guard								
U	Integrated as metal bowl								

Further variants can be ordered using the modular system → 14

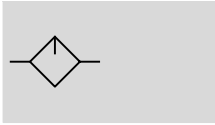
- Connecting plates
- Type of mounting
- UL certification
- Alternative flow direction




## Lubricators MS4/MS6-LOE, MS series

Technical data

**FESTO**

Function



-  - Flow rate  
1,100 ... 7,200 l/min
-  - Temperature range  
-10 ... +60 °C
-  - Operating pressure  
1 ... 16 bar



The proportional lubricator adds a precision adjustable quantity of oil to the compressed air stream. The pressure drop that occurs when air flows through a Venturi nozzle is used to convey oil from the container

to the drip cap. From here, the oil drips into the air duct directly behind the proportional valve, where it is atomised. The oil mist component is proportional to the compressed air flow rate.

- Proportional lubricator with precision oil metering
- Reduces wear on drive units subject to high loading
- High flow rate
- Quick and easy oil top-up even during operation (under pressure)

The following oils are recommended for Festo components:  
Viscosity range to ISO 3448, ISO class VG 32  
32 mm<sup>2</sup>/s (= cSt) at 40°C

- Festo special oil OFSW-32 → 29
- ARAL Vitam GF 32
- BP Energol HLP 32
- Esso Nuto H 32
- Mobil DTE 24
- Shell Tellus Oil DO 32

General technical data					
Size	MS4		MS6		
Pneumatic connection 1, 2	G <sup>1</sup> / <sub>8</sub>	G <sup>1</sup> / <sub>4</sub>	G <sup>1</sup> / <sub>4</sub>	G <sup>3</sup> / <sub>8</sub>	G <sup>1</sup> / <sub>2</sub>
Design	Proportional standard mist lubricator				
Type of mounting	Via accessories				
	In-line installation				
Assembly position	Vertical ±5°				
Bowl guard	Plastic bowl guard				
	Integrated as metal bowl				
Minimum flow for lubricator operation [l/min]	40		50		
Max. oil capacity [cm <sup>3</sup> ]	30 (with plastic bowl guard)		75 (with plastic bowl guard)		
	36 (with metal bowl)		80 (with metal bowl)		

Note: This product conforms to ISO 1179-1 and to ISO 228-1

Standard nominal flow rate qnN [l/min]					
Size	MS4		MS6		
Pneumatic connection	G <sup>1</sup> / <sub>8</sub>	G <sup>1</sup> / <sub>4</sub>	G <sup>1</sup> / <sub>4</sub>	G <sup>3</sup> / <sub>8</sub>	G <sup>1</sup> / <sub>2</sub>
In main flow direction 1 → 2	1,100	2,200	2,500	5,300	7,200

## Lubricators MS4/MS6-LOE, MS series

Technical data

**FESTO**

Operating and environmental conditions		
Size	MS4	MS6
Operating pressure [bar]	1 ... 12 (1 ... 10) <sup>1)</sup>	1 ... 16 (1 ... 10) <sup>1)</sup>
Operating medium	Compressed air in accordance with ISO 8573-1:2010 [7:4:4]	
	Inert gases	
Note on operating/pilot medium	Operation with lubricated medium possible (in which case lubricated operation will always be required)	
Ambient temperature [°C]	-10 ... +60	0 ... +60
Temperature of medium [°C]	-10 ... +60	0 ... +60
Storage temperature [°C]	-10 ... +60	-10 ... +60
Corrosion resistance class CRC <sup>2)</sup>	2	
UL certification	cULus recognized (OL)	

1) Value in brackets applies to MS4/MS6-LOE with UL certification.

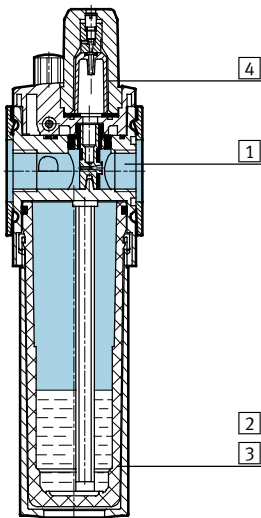
2) Corrosion resistance class 2 according to Festo standard 940 070

Components subject to moderate corrosion stress. Externally visible parts with primarily decorative surface requirements which are in direct contact with a normal industrial environment or media such as coolants or lubricating agents.

Weights [g]		
Size	MS4	MS6
Lubricator with plastic bowl guard R	194	600
Lubricator with metal bowl U	354	810

### Materials

Sectional view



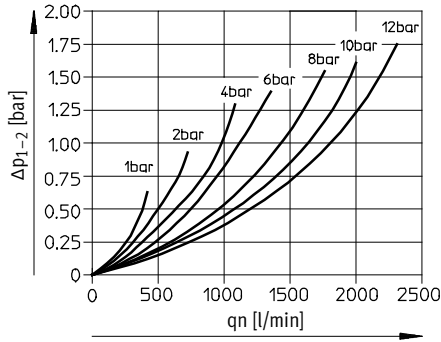
Lubricators		
1	Body	Die-cast aluminium
2	Plastic bowl guard	PC
3	Metal bowl	Aluminium
	Viewing window	PA
4	Lubricator dome	PC
-	Seals	NBR
Note on materials		RoHS-compliant

**Lubricators MS4/MS6-LOE, MS series**

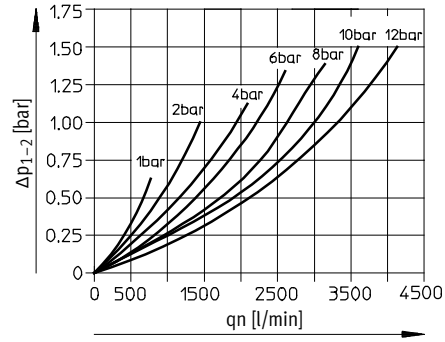
Technical data

**Standard flow rate  $q_n$  as a function of the differential pressure  $\Delta p_{1-2}$**

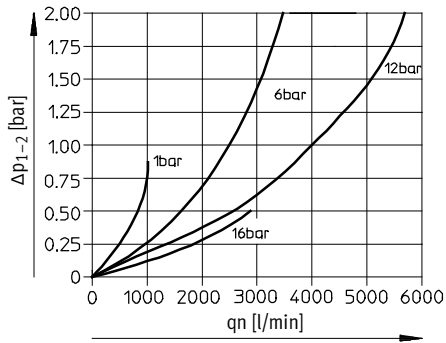
MS4-LOE- $\frac{3}{8}$



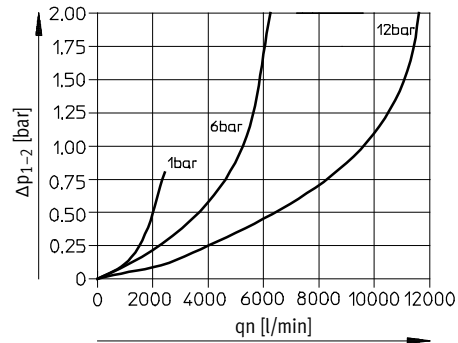
MS4-LOE- $\frac{1}{4}$



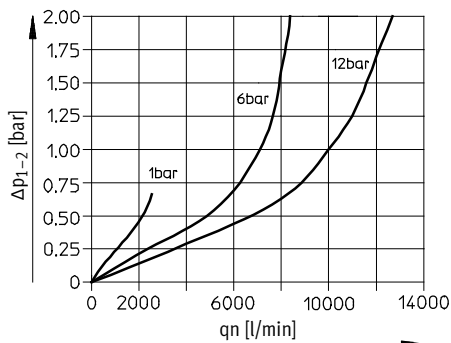
MS6-LOE- $\frac{1}{4}$



MS6-LOE- $\frac{3}{8}$



MS6-LOE- $\frac{1}{2}$



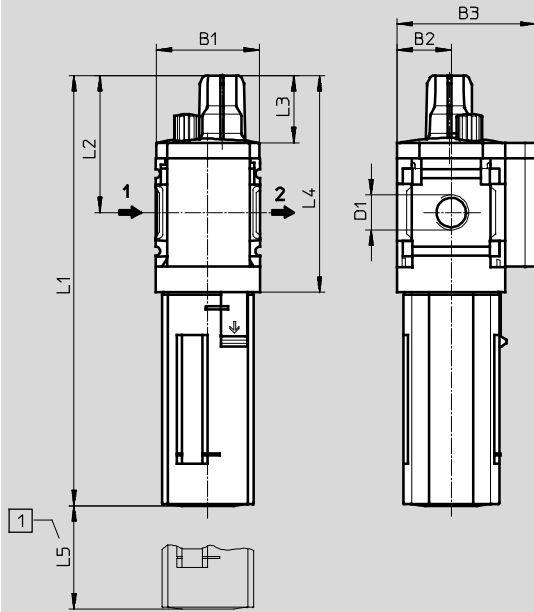
## Lubricators MS4/MS6-LOE, MS series

Technical data

**FESTO**

### Dimensions – Basic version

Download CAD data → [www.festo.com](http://www.festo.com)



1 Installation dimensions

→ Flow direction

Type	B1	B2	B3	D1	L1 Bowl guard		L2	L3	L4	L5
					Plastic	Metal				
MS4-LOE-1/8	42	21	54	G1/8	166.6	184.9	53	26	84	80
MS4-LOE-1/4				G1/4						
MS6-LOE-1/4	62	31	76	G1/4	216.6	223.1	66.1	27.1	111.6	130
MS6-LOE-3/8				G3/8						
MS6-LOE-1/2				G1/2						

• Note: This product conforms to ISO 1179-1 and to ISO 228-1

### Ordering data

Size	Connection	Plastic bowl guard		Integrated as metal bowl	
		Part No.	Type	Part No.	Type
MS4	G1/8	529413	MS4-LOE-1/8-R	-	-
	G1/4	529411	MS4-LOE-1/4-R	535790	MS4-LOE-1/4-U
MS6	G1/4	529779	MS6-LOE-1/4-R	529781	MS6-LOE-1/4-U
	G3/8	529783	MS6-LOE-3/8-R	529785	MS6-LOE-3/8-U
	G1/2	529775	MS6-LOE-1/2-R	529777	MS6-LOE-1/2-U

## Lubricators MS4/MS6-LOE, MS series

Ordering data – Modular products

M Mandatory data						O Options		
Module No.	Series	Size	Function	Connection size	Bowl	Type of mounting	UL certification	Alternative flow direction
527701	MS	4	LOE	1/8, 1/4, 3/8, 1/2, AGA, AGB, AGC, AGD, AGE	R	WP WPM WB WBM	UL1	Z
527674		6			U			
<b>Order example</b>								
<b>527701</b>	<b>MS</b>	<b>4</b>	<b>- LOE</b>	<b>- AGB</b>	<b>- R</b>			

Ordering table						
Grid dimension	[mm]	40	62	Conditions	Code	Enter code
M	Module No.	<b>527701</b>		<b>527674</b>		
	Series	Standard			<b>MS</b>	MS
	Size	4	6		...	
	Function	Lubricators			<b>-LOE</b>	-LOE
	Connection size	G1/8 thread	-		<b>-1/8</b>	
		Thread G1/4	Thread G1/4		<b>-1/4</b>	
		-	Thread G3/8		<b>-3/8</b>	
		-	Thread G1/2		<b>-1/2</b>	
		Connecting plate G1/8	-		<b>-AGA</b>	
		Connecting plate G1/4	Connecting plate G1/4		<b>-AGB</b>	
		Connecting plate G3/8	Connecting plate G3/8		<b>-AGC</b>	
		-	Connecting plate G1/2		<b>-AGD</b>	
		-	Connecting plate G3/4		<b>-AGE</b>	
	Bowl	Plastic bowl with plastic bowl guard			<b>-R</b>	
		Metal bowl			<b>-U</b>	
O	Type of mounting	Mounting bracket		1	<b>-WP</b>	
		Mounting bracket		1	<b>-WPM</b>	
		Mounting bracket			<b>-WB</b>	
		Mounting bracket		-	<b>-WBM</b>	
	UL certification	cULus, ordinary location for Canada and USA			<b>-UL1</b>	
	Alternative flow direction	Flow direction from right to left			<b>-Z</b>	

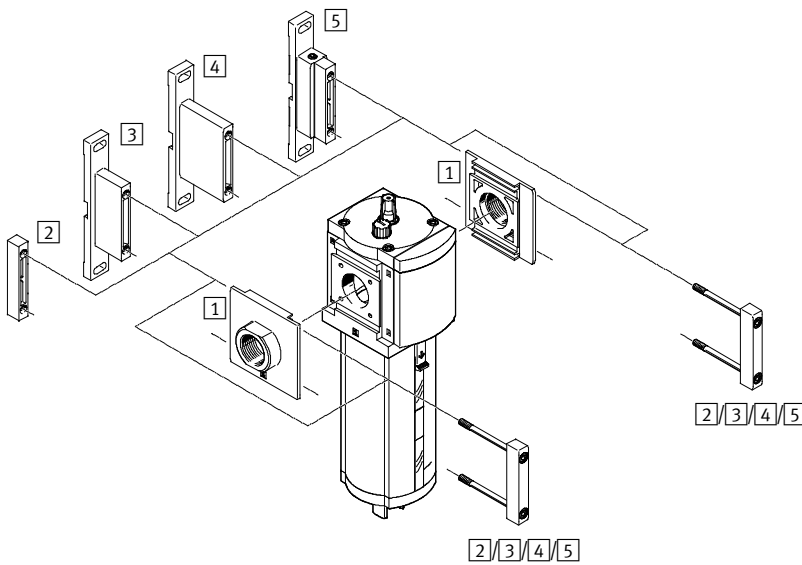
**1 WP, WPM** Only with connecting plate AGA, AGB, AGC, AGD or AGE.


Transfer order code

	<b>MS</b>		<b>- LOE</b>						
--	-----------	--	--------------	--	--	--	--	--	--

## Lubricators MS9-LOE, MS series

Peripherals overview



 Note  
Additional accessories:  
– Module connector for combinations with size MS6, MS9 or MS12  
→ Internet: rmv, armv

Mounting attachments and accessories					
		Individual unit		Combination	→ Page/ Internet
		With female thread 3/4 or 1	With connecting plate AG...	Module without connecting thread, without connecting plate G	
1	Connecting plate MS9-AG...	–	■	■	ms9-ag
2	Module connector MS9-MV	–	–	■	ms9-mv
3	Mounting bracket MS9-WP	■	■	■	ms9-wp
4	Mounting bracket MS9-WPB	■	■	■	ms9-wp
5	Mounting bracket MS9-WPM	■	■	■	ms9-wp

## Lubricators MS9-LOE, MS series

Type codes

**FESTO**

		MS	9	-	LOE	-	G	-	U	
<b>Series</b>										
MS	Standard service unit									
<b>Size</b>										
9	Grid dimension 90 mm									
<b>Service function</b>										
LOE	Lubricator									
<b>Pneumatic connection</b>										
G	Module without connecting thread, without connecting plate									
<b>Bowl guard</b>										
U	Integrated as metal bowl									

Additional variants can be ordered using the modular product system → 21

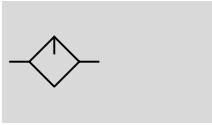
- Connecting thread
- Connecting plates
- Type of mounting
- UL certification
- Alternative flow direction






## Lubricators MS9-LOE, MS series

Technical data

Function



-  - Flow rate  
15,000 ... 20,000 l/min
-  - Temperature range  
-10 ... +60 °C
-  - Operating pressure  
1 ... 16 bar



The proportional lubricator adds a precisely adjustable quantity of oil to the compressed air. The pressure drop that occurs when air flows through a Venturi nozzle is used to convey oil from the container


to the drip cap. From here, the oil drips into the air duct directly behind the proportional valve, where it is atomised. The oil mist part is proportional to the compressed air flow rate.

- Proportional lubricator with precision oil metering
- Integrated sintered filter for filtering the oil
- Reduces wear on drive units subject to high loading
- High flow rate
- Quick and easy oil top-up even during operation (under pressure)

The following oils are recommended for Festo components:  
Viscosity range to ISO 3448, ISO class VG 32  
32 mm<sup>2</sup>/s (= cSt) at 40 °C

- Festo special oil OFSW-32 → 29
- ARAL Vitam GF 32
- BP Energol HLP 32
- Esso Nuto H 32
- Mobil DTE 24
- Shell Tellus Oil DO 32

General technical data				
Size	MS9			
Pneumatic connection 1, 2	G3/4	G1	G1/2 ... G1 1/2 (with connecting plate AG...)	- (without connecting thread G)
Design	Proportional standard mist lubricator			
Type of mounting	Via accessories In-line installation			
Mounting position	Vertical ±5°			
Bowl guard	Integrated as metal bowl			
Minimum flow rate for lubricator operation [l/min]	100			
Max. oil capacity [ml]	490			

-  Note: This product conforms to ISO 1179-1 and to ISO 228-1

Standard nominal flow rate $q_{nN}^{1)}$ [l/min]					
Pneumatic connection	Connecting plate AGD	Thread G3/4 or connecting plate AGE	Thread G1 or connecting plate AGF	Connecting plate AGG	Connecting plate AGH
In main flow direction 1 → 2	8,500	15,000	23,000	26,000	27,000

1) Measured at  $p_1 = 6$  bar and  $\Delta p = 1$  bar.

## Lubricators MS9-LOE, MS series

Technical data

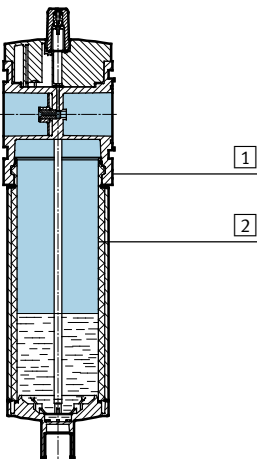
Operating and environmental conditions	
Operating pressure [bar]	1... 16
Operating medium	Compressed air in accordance with ISO 8573-1:2010 [7:4:4]
Ambient temperature [°C]	-10 ... +60
Temperature of medium [°C]	-10 ... +60
Storage temperature [°C]	-10 ... +60
Corrosion resistance class CRC <sup>1)</sup>	2
Certification (variant UL1)	cULus recognized (OL)

1) Corrosion resistance class 2 according to Festo standard 940 070  
Components subject to moderate corrosion stress. Externally visible parts with primarily decorative surface requirements which are in direct contact with a normal industrial environment or media such as coolants or lubricating agents.

Weight [g]	
Lubricator	2,000

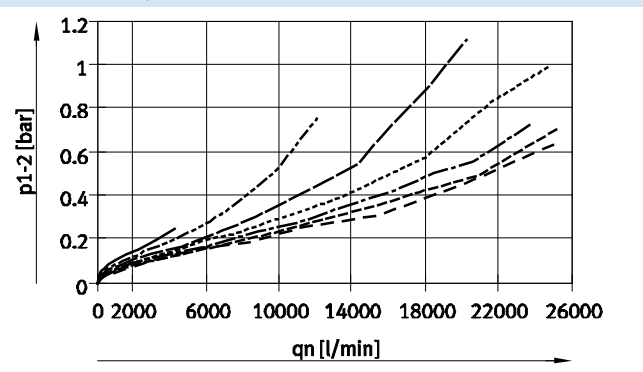
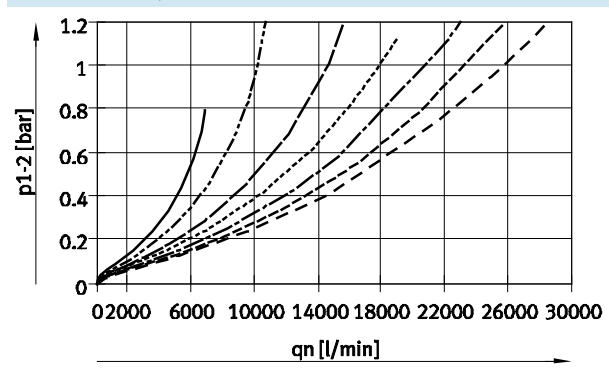
### Materials

Sectional view



Lubricator		
1	Housing	Die-cast aluminium
2	Bowl	Wrought aluminium alloy
	Inspection window	PA
-	Cover	PA reinforced
-	Connecting plate, module connector, mounting bracket	Die-cast aluminium
-	Seals	NBR
Note on materials		RoHS-compliant

### Standard flow rate $q_n$ as a function of differential pressure $p_{1-2}$



- 1 bar
- 2 bar
- 4 bar
- 6 bar
- 8 bar
- 10 bar
- 12 bar

## Lubricators MS9-LOE, MS series

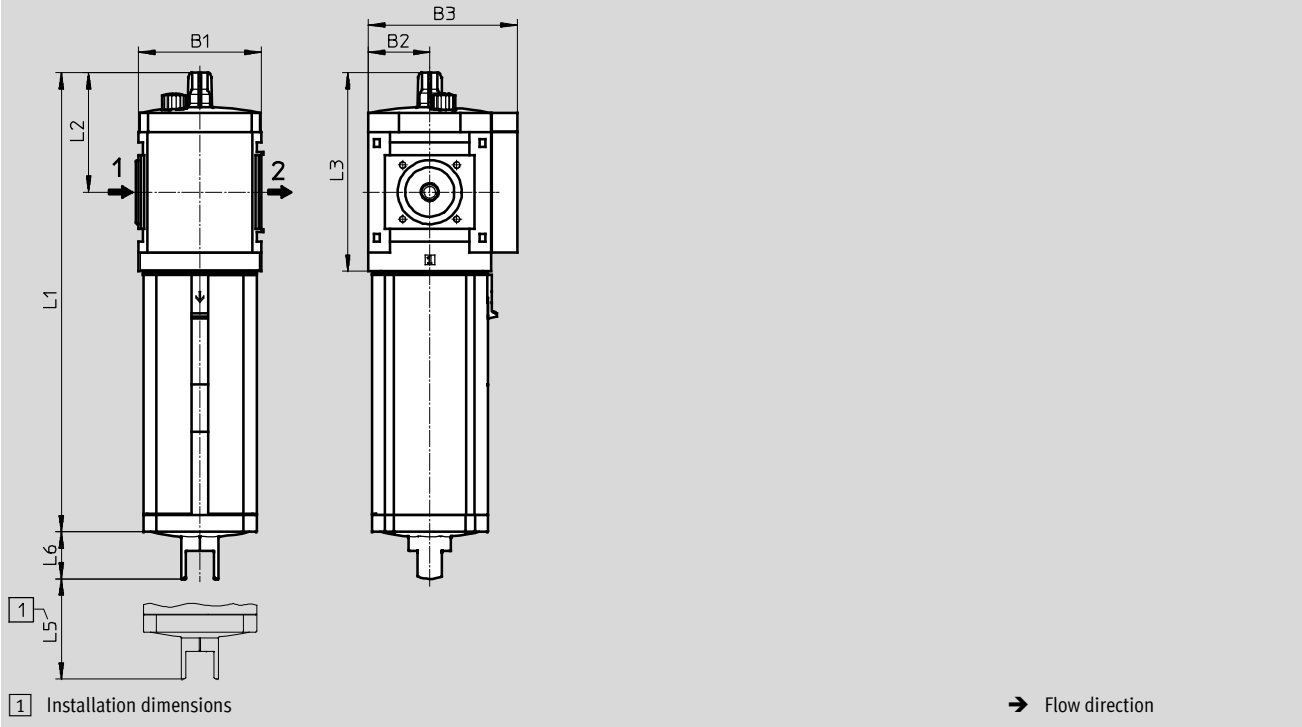
Technical data

**FESTO**

### Dimensions – Basic version

Download CAD data → [www.festo.com](http://www.festo.com)

Without connecting thread G



Type	B1	B2	B3	L1	L2	L3	L5 min.	L6
MS9-LOE-G	90	45	109	336.3	87	145	225	34.5

## Lubricators MS9-LOE, MS series

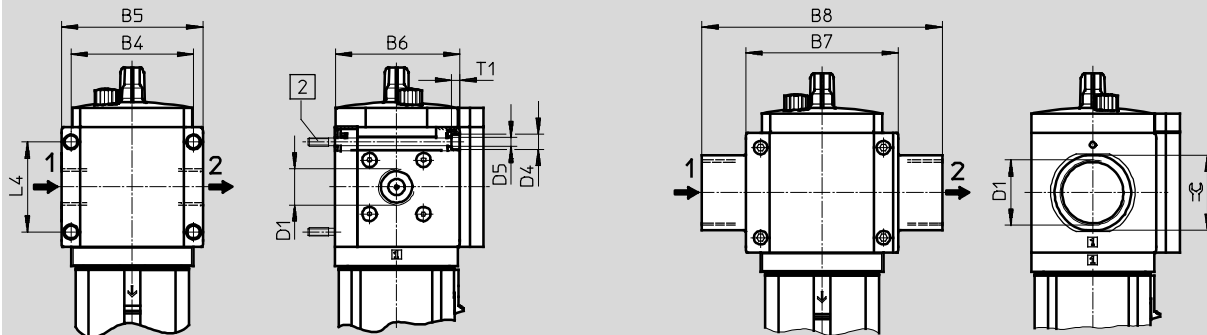
Technical data

### Dimensions – Connecting thread/connecting plate

Download CAD data → [www.festo.com](http://www.festo.com)

With connecting thread 3/4 or 1

With connecting plate AG...



2] Mounting screw M6xmin.90 to DIN 912 (not included in the scope of delivery) for wall mounting without mounting bracket

→ Flow direction

Type	B4	B5	B6	B7	B8	D1	D4 Ø	D5 Ø	L4	T1	≡C
MS9-LOE-3/4	90	104	91.5	-	-	G3/4	11	6.5	66	6	-
MS9-LOE-1						G1					
MS9-LOE-AGD	-	-	-	112	132	G1/2	-	-	-	-	30
MS9-LOE-AGE					132	G3/4					36
MS9-LOE-AGF					142	G1					41
MS9-LOE-AGG					162	G1 1/4					50
MS9-LOE-AGH					176	G1 1/2					55

|| Note: This product conforms to ISO 1179-1 and to ISO 228-1

### Ordering data

Size	Connection	Part No.	Type
MS9	-	564144	MS9-LOE-G-U

## Lubricators MS9-LOE, MS series

**FESTO**

Ordering data – Modular products

M Mandatory data						O Options		
Module No.	Series	Size	Function	Connection size	Bowl	Type of mounting	UL certification	Alternative flow direction
562533	MS	9	LOE	¾, 1, AGD, AGE, AGF, AGG, AGH, G	U	WP, WPM, WPB	UL1	Z
<b>Ordering example</b>								
<b>562533</b>	<b>MS</b>	<b>9</b>	<b>- LOE</b>	<b>- AGD</b>	<b>- U</b>	<b>- WP</b>		

Ordering table					
Grid dimension	[mm]	90	Condi- tions	Code	Enter code
M	Module No.	562533			
	Series	Standard service unit		MS	MS
	Size	9		9	9
	Function	Lubricator		-LOE	-LOE
	Connection size	Thread G¾		-¾	
		Thread G1		-1	
		Connecting plate G½		-AGD	
		Connecting plate G¾		-AGE	
		Connecting plate G1		-AGF	
		Connecting plate G1¼		-AGG	
		Connecting plate G1½		-AGH	
		Module without connecting thread, without connecting plate		-G	
	Bowl	Metal bowl		-U	-U
O	Type of mounting	Mounting bracket	1	-WP	
		Mounting bracket	1	-WPM	
		Mounting bracket for large wall gap	1	-WPB	
	UL certification	cULus, ordinary location for Canada and USA		-UL1	
	Alternative flow direction	Flow direction from right to left		-Z	

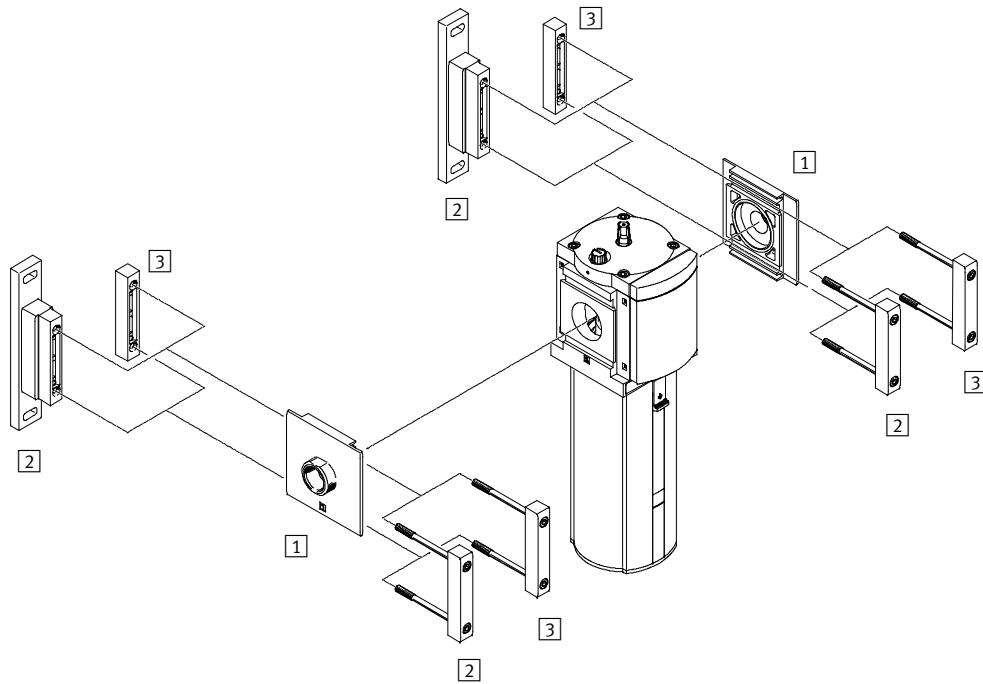
1 WP, WPM, WPB Not with module G


Transfer order code

562533	MS	9	-	LOE	-		-	U	-		-		-	
--------	----	---	---	-----	---	--	---	---	---	--	---	--	---	--

# Lubricators MS12-LOE, MS series

Peripherals overview

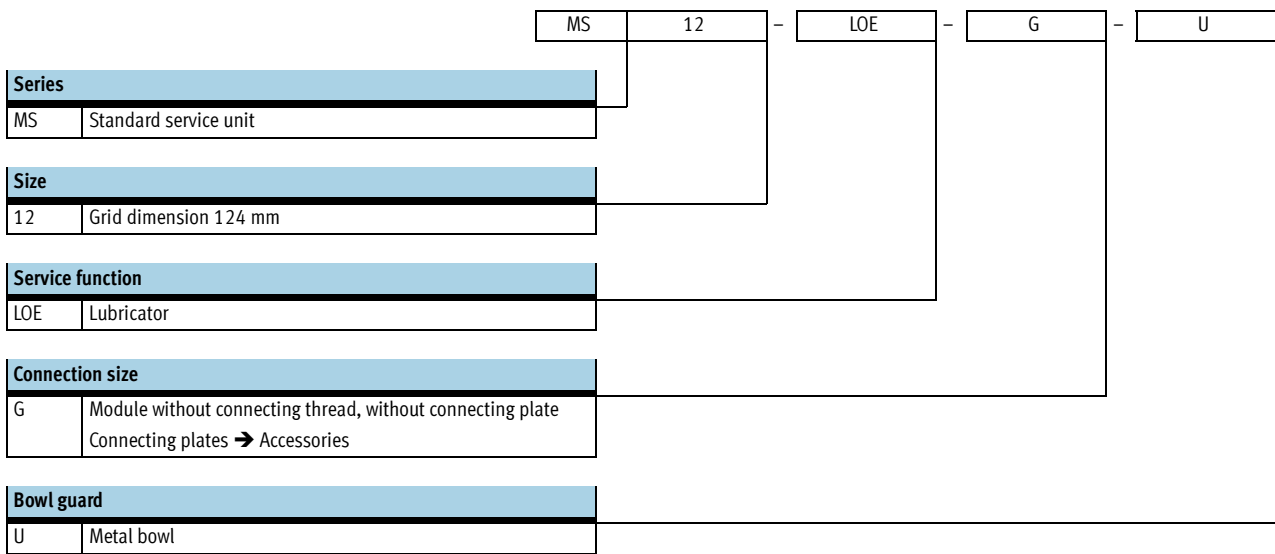


-  - Note  
 Additional accessories:  
 - Module connector for combination with size MS9 → Internet: armv

Mounting attachments and accessories		→ Page/Internet
1	Connecting plate MS12-AG...	ms12-ag
2	Mounting bracket MS12-WP	ms12-wp
3	Module connector MS12-MV	ms12-mv

# Lubricators MS12-LOE, MS series

Type codes



Further variants can be ordered using the modular system → 28

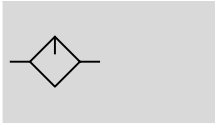
- Connecting plates
- Type of mounting
- Alternative flow direction





# Lubricators MS12-LOE, MS series

Technical data



Function



-  - Flow rate  
20,000 ... 22,000 l/min
-  - Temperature range  
0 ... 60 °C
-  - Operating pressure  
1 ... 16 bar
-  - [www.festo.com](http://www.festo.com)

Wearing parts kits  
→ 27



The proportional lubricator adds a precision adjustable quantity of oil to the compressed air stream.

The pressure drop that occurs when air flows through a Venturi nozzle is used to convey oil from the container

to the drip cap. From here, the oil drips into the air duct directly behind the proportional valve, where it is atomised. The oil mist component is proportional to the compressed air flow rate.

- Proportional lubricator with precision oil metering
- Reduces wear on drive units subject to high loading
- High flow rate
- Quick and easy oil top-up even during operation (under pressure)


The following oils are recommended for Festo components:  
Viscosity range to ISO 3448, ISO class VG 32

32 mm<sup>2</sup>/s (= cSt) at 40°C

- Festo special oil OFSW-32 → 29
- ARAL Vitam GF 32
- BP Energol HLP 32
- Esso Nuto H 32
- Mobil DTE 24
- Shell Tellus Oil DO 32

General technical data				
Pneumatic connection 1, 2 <sup>1)</sup>	G1	G1¼	G1½	G2
Design	Proportional standard mist lubricator			
Type of mounting	Via accessories			
	In-line installation			
Assembly position	Vertical ±5°			
Bowl guard	Metal bowl			
Minimum flow for lubricator operation [l/min]	≤400			
Max. oil capacity [cm <sup>3</sup> ]	1,500			

1) Dependent on connecting plate selected, must be ordered separately as an accessory → Internet: ms12-ag

-  - Note: This product conforms to ISO 1179-1 and to ISO 228-1

Standard nominal flow rate qnN <sup>1)</sup> [l/min]				
Pneumatic connection	G1	G1¼	G1½	G2
In main flow direction 1 → 2	20,000	20,500	21,000	22,000

1) Dependent on connecting plate selected, must be ordered separately as an accessory → Internet: ms12-ag

Measured at p<sub>1</sub> = 6 bar and Δp = 0.5 bar



# Lubricators MS12-LOE, MS series

Technical data

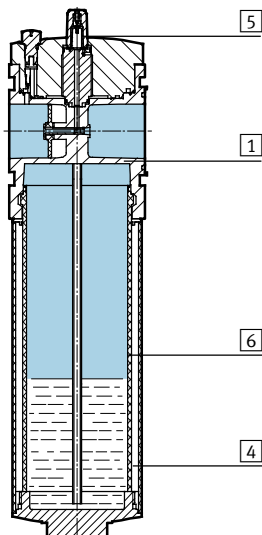
Operating and environmental conditions	
Operating pressure [bar]	1 ... 16
Operating medium	Compressed air in accordance with ISO 8573-1:2010 [7:4:4]
Ambient temperature [°C]	0 ... +60
Temperature of medium [°C]	0 ... +60
Storage temperature [°C]	-10 ... +60
Corrosion resistance CRC <sup>1)</sup>	2

1) Corrosion resistance class 2 according to Festo standard 940 070  
 Components requiring moderate corrosion resistance. Externally visible parts with primarily decorative surface requirements which are in direct contact with a normal industrial environment or media such as coolants or lubricating agents.

Weights [g]	
Lubricator with metal bowl U	6,500

## Materials

Sectional view



Lubricator		
1	Body	Die-cast aluminium
4	Metal bowl	Aluminium
5	Lubricator dome	PC
6	Metal bowl sight glass	PA
-	Seals	NBR

# Lubricators MS12-LOE, MS series

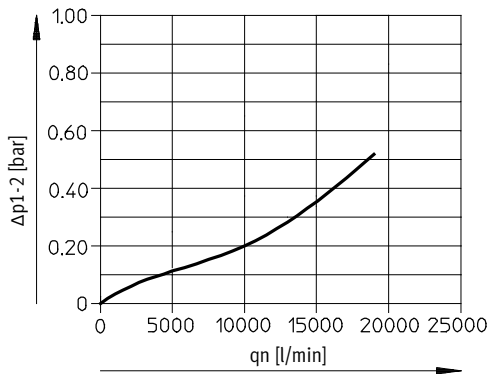
Technical data



## Standard flow rate $q_n$ as a function of the differential pressure $\Delta p_{1-2}$

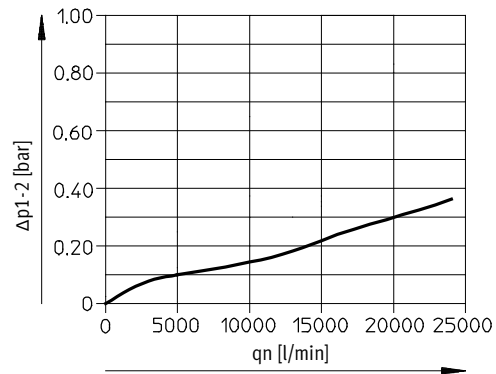
With connecting plate MS12-AGF

Pneumatic connection G1



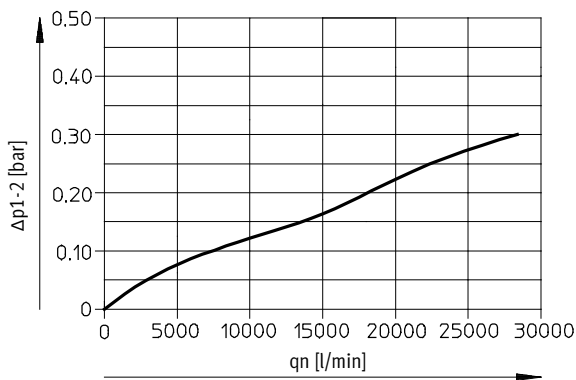
With connecting plate MS12-AGG

Pneumatic connection G1¼



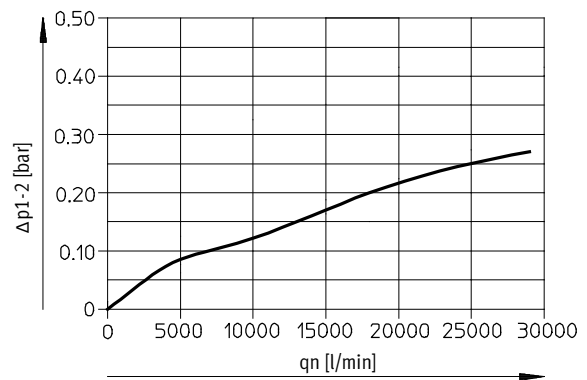
With connecting plate MS12-AGH

Pneumatic connection G1½



With connecting plate MS12-AGI

Pneumatic connection G2



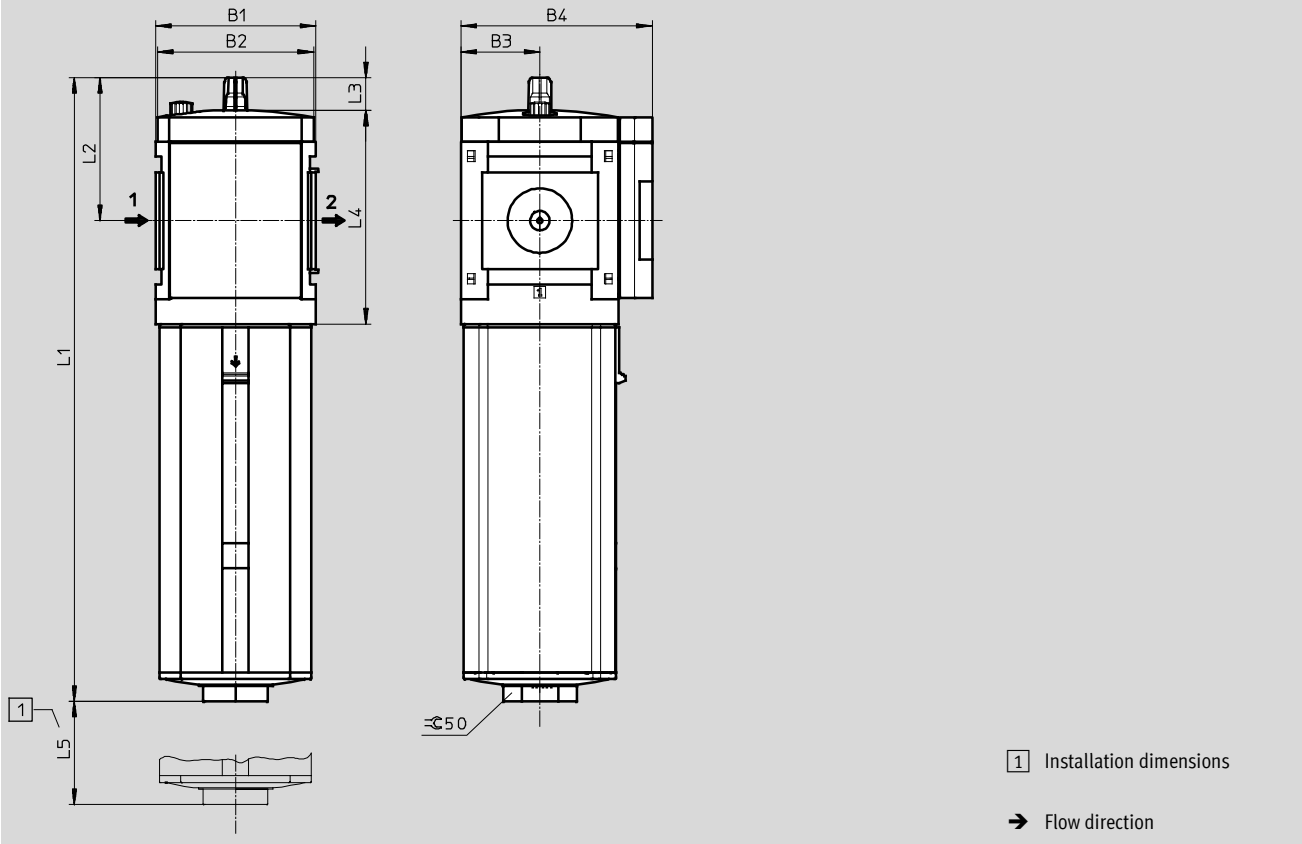
# Lubricators MS12-LOE, MS series

Technical data

FESTO

## Dimensions – Basic version

Download CAD data → [www.festo.com](http://www.festo.com)



Type	B1	B2	B3	B4	L1	L2	L3	L4	L5
MS12-LOE	124	122	61	148	483	111	25	166	300

## Ordering data

Metal bowl

Size	Connection	Part No.	Type
MS12	G1 ... G2 <sup>1)</sup>	537156	MS12-LOE-G-U

1) Connecting plate must be ordered separately as an accessory → Internet: ms12-ag

· † · Note: This product conforms to ISO 1179-1 and to ISO 228-1

## Ordering data – Wearing parts kits

Size	Part No.	Type
MS12	673746	MS12-LOE

# Lubricators MS12-LOE, MS series

Ordering data – Modular products

M Mandatory data						O Options	
Module No.	Series	Size	Function	Connection size	Bowl	Type of mounting	Alternative flow direction
535041	MS		LOE	AGF AGG AGH AGI G	U	WP	Z
<b>Order example</b>							
535041	MS	12	- LOE	- AGI	- U	- WP	- Z

Ordering table			
Grid dimension	[mm]	124	Condi- tions
M	Module No.	535041	
	Series	Standard	MS
	Size	12	12
	Function	Lubricator	-LOE
	Connection size	Connecting plate G1	-AGF
		Connecting plate G1¼	-AGG
		Connecting plate G1½	-AGH
		Connecting plate G2	-AGI
		Module without connecting thread, without connecting plate	-G
	Bowl	Metal bowl	-U
O	Type of mounting	Mounting bracket	1 -WP
	Alternative flow direction	Flow direction from right to left	-Z

1 WP Only with connecting plate AGF, AGG, AGH or AGI.

Transfer order code

535041	MS	12	-	LOE	-		-	U	-		-	
--------	----	----	---	-----	---	--	---	---	---	--	---	--

## Lubricators MS-LOE, MS series

Accessories

FESTO

Special oil



Ordering data		
Scope of delivery	Part No.	Type
1 litre	152811	OFSW-32