

Protective conduits



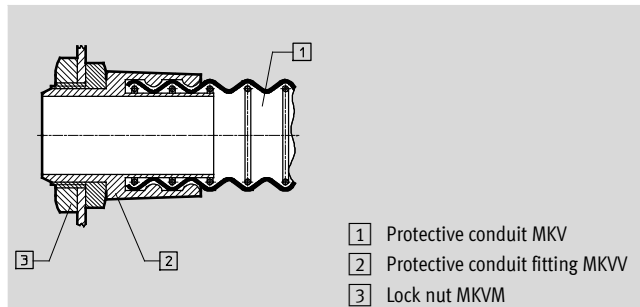
Protective conduits

Technical data

Protective conduit MKV

Materials:
PVC, spring steel


Note on materials:
RoHS-compliant




- 1 Protective conduit MKV
- 2 Protective conduit fitting MKVV
- 3 Lock nut MKVM

For protecting pneumatic tubing and electrical cables.

Flexible, stretchable and compressible, water-tight and highly resistant to oil and acids.

 Note
Protective conduit MKV can be combined with multi-plug KSV.
➔ Internet: ksv

 Note
Additional protective conduits for installation components for handling and assembly technology.
➔ Internet: mkr, mkg

Ordering data								
For protective conduit fitting MKVV with connection thread	I.D. x O.D. [mm]	Min. bending radius +10% [mm]	For multi-plug KSV	CRC ¹⁾	Weight [g/m]	Part No.	Type	PU* [m]
Pg 13.5	15x19	19	–	2	117	7404	MKV-PG-13,5	50
Pg 21	21x27	27	KSV-5		240	7549	MKV-PG-21	50
Pg 29	29x36	36	KSV-8		395	7550	MKV-PG-29	25
Pg 36	38x45	45	KSV-16-B		560	7147	MKV-PG-36	25
Pg 48	48x56	56	KSV-32-B		806	7148	MKV-PG-48	25

1) Corrosion resistance class 2 according to Festo standard 940 070
Components subject to moderate corrosion stress. Externally visible parts with primarily decorative surface requirements which are in direct contact with a normal industrial environment or media such as coolants or lubricating agents.
* Packaging unit

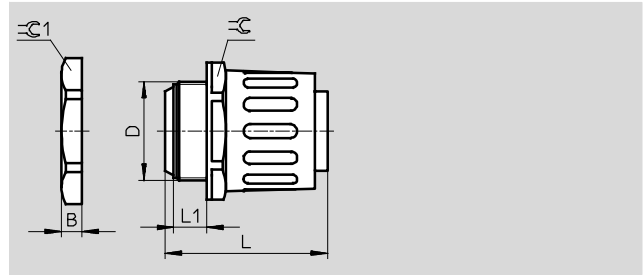
Protective conduits

Technical data

Protective conduit fitting MKVV Lock nut MKVM

Material:
Plastic

Note on materials:
RoHS-compliant



Dimensions					
Connection thread D	B	L	L1	\varnothing	$\varnothing 1$
Pg 13.5	6	42	10	24	27
Pg 21	7	58	11	35	36
Pg 29	7	59	12	45	46
Pg 36	8	62.5	12	54	60
Pg 48	8	68	15	65	70

Ordering data – Protective conduit fitting				
Connection thread	CRC ¹⁾	Weight [g]	Part No.	Type
Pg 13.5	2	7	19113	MKVV-PG-13,5-B
Pg 21		17	19114	MKVV-PG-21-B
Pg 29		27	19115	MKVV-PG-29-B
Pg 36		37	19116	MKVV-PG-36-B
Pg 48		59	19117	MKVV-PG-48-B

Ordering data – Lock nut				
Connection thread	CRC ¹⁾	Weight [g]	Part No.	Type
Pg 13.5	2	2.5	7411	MKVM-PG-13,5
Pg 21		4.3	9691	MKVM-PG-21
Pg 29		6.5	9692	MKVM-PG-29
Pg 36		11.7	7413	MKVM-PG-36
Pg 48		15.6	7414	MKVM-PG-48

1) Corrosion resistance class 2 according to Festo standard 940 070
Components subject to moderate corrosion stress. Externally visible parts with primarily decorative surface requirements which are in direct contact with a normal industrial environment or media such as coolants or lubricating agents.