

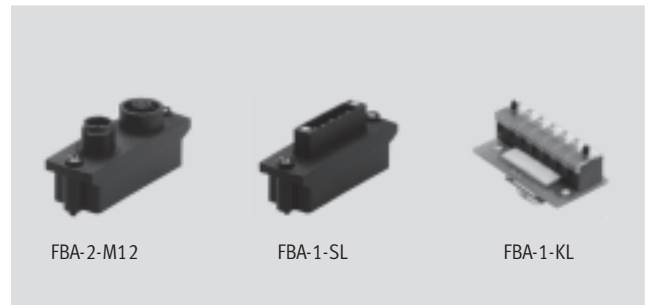
Electrical adapters NEFV, for valves

Technical data

FESTO

Bus connection FBA

- Sub-D 9-pin adapter
- Can be assembled with any cable length
- Protection class IP20 to IP65



General technical data				
Type	FBA-2-M12-5POL	FBA-2-M12-5POL-RK	FBA-1-SL	FBA-1-KL
Electrical connection	Sub-D straight socket, 9-pin; M12 plug/socket, 5-pin	Sub-D straight plug, 9-pin; M12 plug/socket, 5-pin	Sub-D straight socket, 9-pin; plug, 5-pin	M8x1 plug, 4-pin, straight, screw terminal
Operating voltage range [V DC]	24			
Acceptable current load [A]	4	4	4	7.5
Connection cross section [mm ²]	–	–	–	0.5
Type of mounting	2x M3x20 screws			
Mounting position	Any			
Protection class	IP65	IP65	IP40	IP20

Materials	
Pin contact	Gold-plated bronze
Housing	Polyamide
Note on materials	RoHS-compliant

Operating and environmental conditions		
Ambient temperature [°C]		–5 ... +50
Storage temperature [°C]		–20 ... +70

Electrical adapters NEFV, for valves

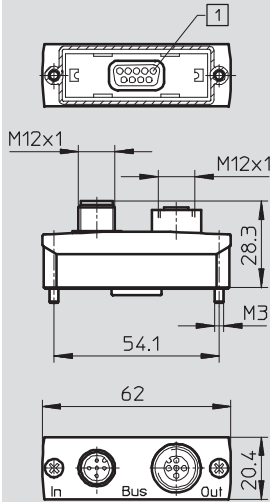
Technical data

FESTO

Dimensions

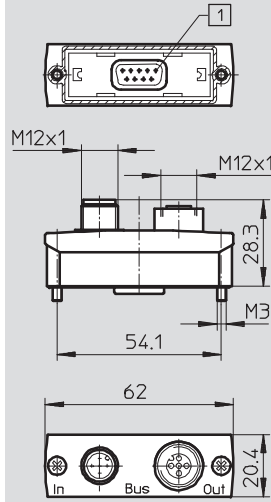
Download CAD data → www.festo.com

FBA-2-M12-5POL



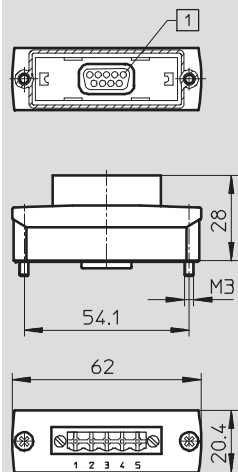
1 Sub-D socket, 9-pin

FBA-2-M12-5POL-RK



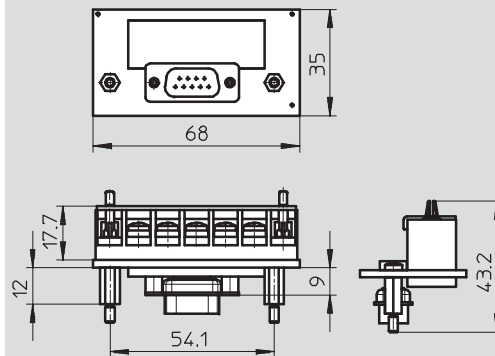
1 Sub-D plug, 9-pin

FBA-1-SL-...



1 Sub-D socket, 9-pin

FBA-1-KL-...



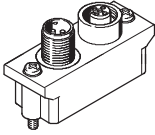
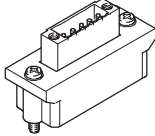
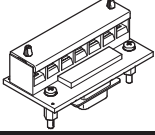
Electrical adapters NEFV, for valves

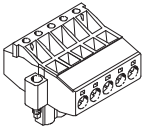
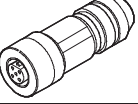
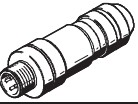
Technical data

Pin allocation – Sub-D/opposite side							
FBA-2-M12-5POL							
Sub-D connection	Pin	Pin	Plug	Sub-D connection	Pin	Pin	Socket
	1	–			1	–	
	2	5			2	5	
	3	3			3	3	
	4	–			4	–	
	5	1			5	1	
	6	–			6	–	
	7	4			7	4	
	8	–			8	–	
	9	2			9	2	
	Housing	1			Housing	1	
FBA-2-M12-5POL-RK							
Sub-D connection	Pin	Pin	Plug	Sub-D connection	Pin	Pin	Socket
	1	5			1	5	
	2	–			2	–	
	3	4			3	4	
	4	–			4	–	
	5	–			5	3	
	6	–			6	1	
	7	–			7	–	
	8	2			8	2	
	9	–			9	–	
	Housing	Housing			Housing	Housing	
FBA-1-SL-5POL				FBA-1-KL-5POL			
Sub-D connection	Pin	Pin	Plug	Sub-D connection	Pin	Pin	Terminal strip
	1	–			1	–	
	2	2			2	DA	
	3	1			3	DG	
	4	–			4	–	
	5	3			5	FG	
	6	–			6	–	
	7	4			7	DB	
	8	–			8	–	
	9	5			9	–	
	Housing	3			Housing	SLD	

Electrical adapters NEFV, for valves

Technical data

Ordering data					
	Electrical connection	Weight [g]	Part No.	Type	
	Sub-D straight socket, 9-pin; M12 plug/socket, 5-pin	28	525632	FBA-2-M12-5POL	
	Sub-D straight plug, 9-pin; M12 plug/socket, 5-pin	37	533118	FBA-2-M12-5POL-RK	
	Sub-D straight socket, 9-pin; plug, 5-pin	26	525634	FBA-1-SL-5POL	
	Sub-D straight plug, 9-pin; screw terminal, 5-pin	47	197962	FBA-1-KL-5POL	

Ordering data – Accessories					
	Description	Electrical connection	Weight [g]	Part No.	Type
	Adapter for FBA-1-SL-5POL, protection class IP20	Angled socket, 5-pin; screw terminal, 5-pin	20	525635	FBSD-KL-2x5POL
	Socket for self-assembly of a connecting cable for FBA-2-M12-5POL-RK	Socket M12x1, 5-pin, straight	48	1067905	NECU-M-B12G5-C2-PB
	Plug for self-assembly of a connecting cable for FBA-2-M12-5POL-RK	Plug M12x1, 5-pin, straight	46	1066354	NECU-M-S-B12G5-C2-PB