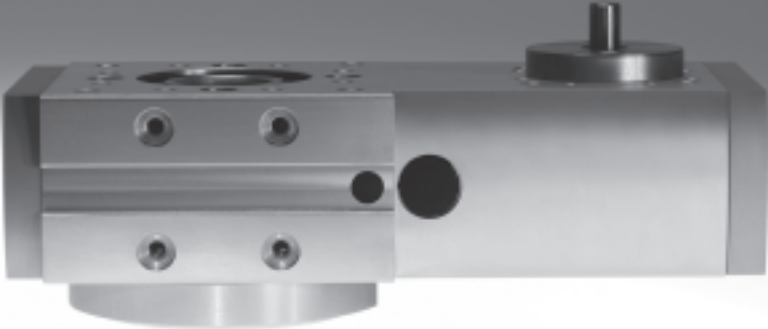


Rotary modules ERMB, electric



Rotary modules ERMB, electric

Key features

At a glance

The rotary module ERMB facilitates unlimited and flexible rotation angles. The output interface is the same as on the semi-rotary drive DRQD.

The motor's power is transmitted to the output pinion by means of a circulating toothed belt with a specific transmission ratio. The drive and

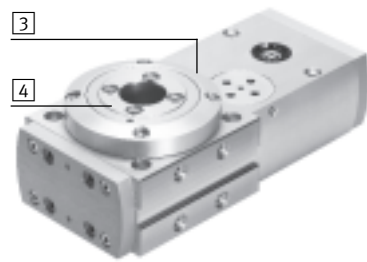
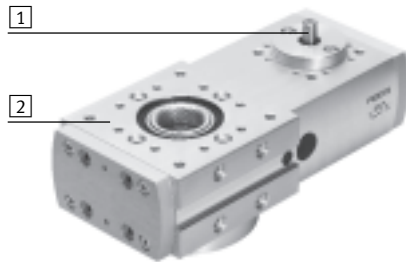
output pinions run on separate bearings. The toothed belt is pretensioned at the factory by means of an eccentric tensioning roller.

Advantages:

- Stable arrangement of the output shaft bearings
- Pretensioned toothed belt means zero backlash
- Compact design

The technology in detail

- 1 Interface with the motor, via axial kit
- 2 Mounting interface
- 3 Mounting for proximity sensor SIEN in the retaining ring
- 4 Output interface: Same as on the semi-rotary drive DRQD (with larger through-hole)



Sensing kit EAPS as an accessory

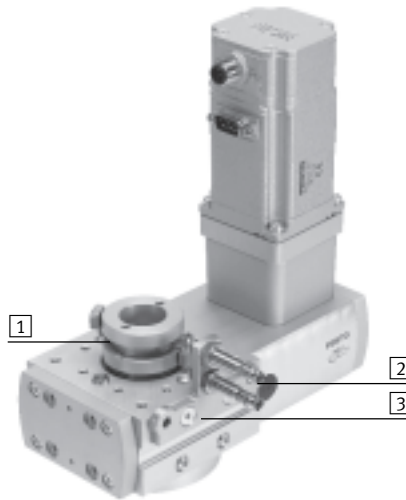
→ 14

The sensing kit facilitates monitoring of the angle of rotation using adjustable cams. It can also be used for reference checking.

Without housing

With housing

- 1 Trip cam support
- 2 Proximity sensor SIEN
- 3 Sensor bracket
- 4 Housing



Mounting and installation options

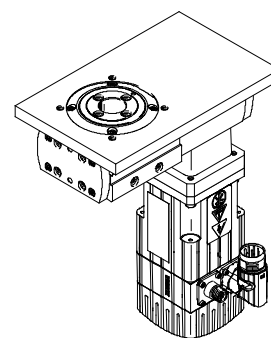
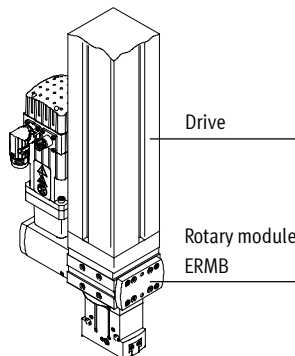
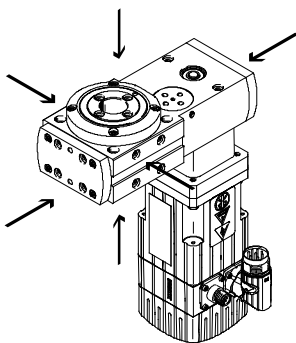
Mounting option

Installation option

The rotary module can be attached on six sides.

As a front end

As a rotary table in a plate



Rotary modules ERMB, electric

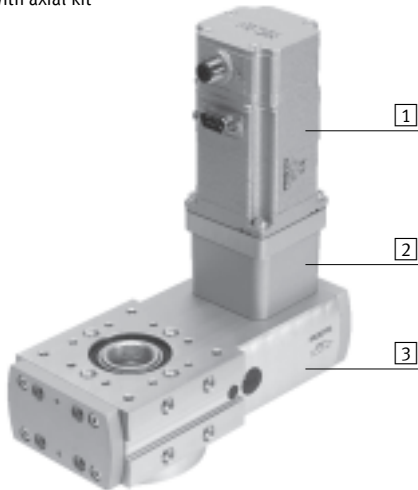
Key features

Total system comprising rotary module, motor and axial kit

Rotary module

→ 6

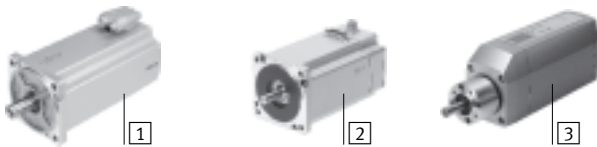
With axial kit




- 1 Motor
- 2 Axial kit
- 3 Rotary module

Motors

→ 16

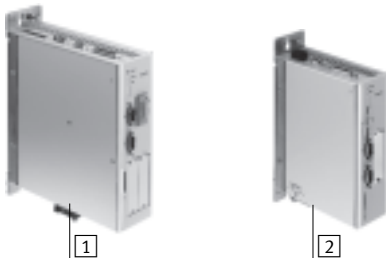


- 1 Servo motor EMME-AS, EMMS-AS
- 2 Stepper motor EMMS-ST
- 3 Motor unit MTR-DCI

 Note
A range of specially adapted complete solutions is available for the rotary module ERMB.

Motor controllers

Technical data → Internet: motor controller



- 1 Servo motor controller CMMP-AS, SEC-AC
- 2 Stepper motor controller CMMS-ST

Axial kit

→ 16

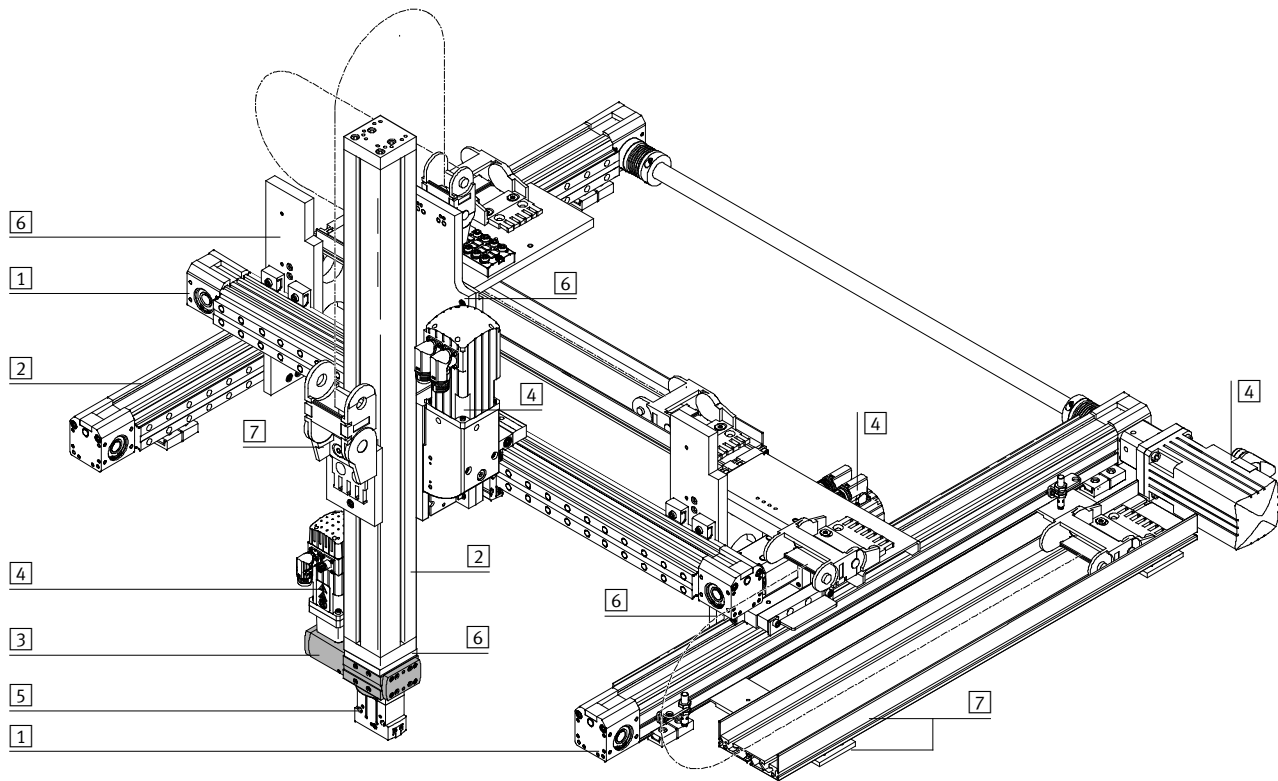


- Kit comprising:
- Motor flange
 - Coupling housing
 - Coupling
 - Screws

Rotary modules ERMB, electric

Key features

System product for handling and assembly technology



System components and accessories		
	Brief description	→ Page/Internet
1	Axes	Wide range of combinations possible within handling and assembly technology axes
2	Guide axes	For extending force and torque capacity in multi-axis applications guide axes
3	Rotary module	Wide range of combinations possible within handling and assembly technology rotary module
4	Motors	Servo or stepper motors, with or without gear unit motor
5	Gripper	Wide range of variations possible within handling and assembly technology gripper
6	Adapters	For drive/drive and drive/gripper connections adapter kit
7	Installation components	For a clean, safe layout of electrical cables and tubing installation component

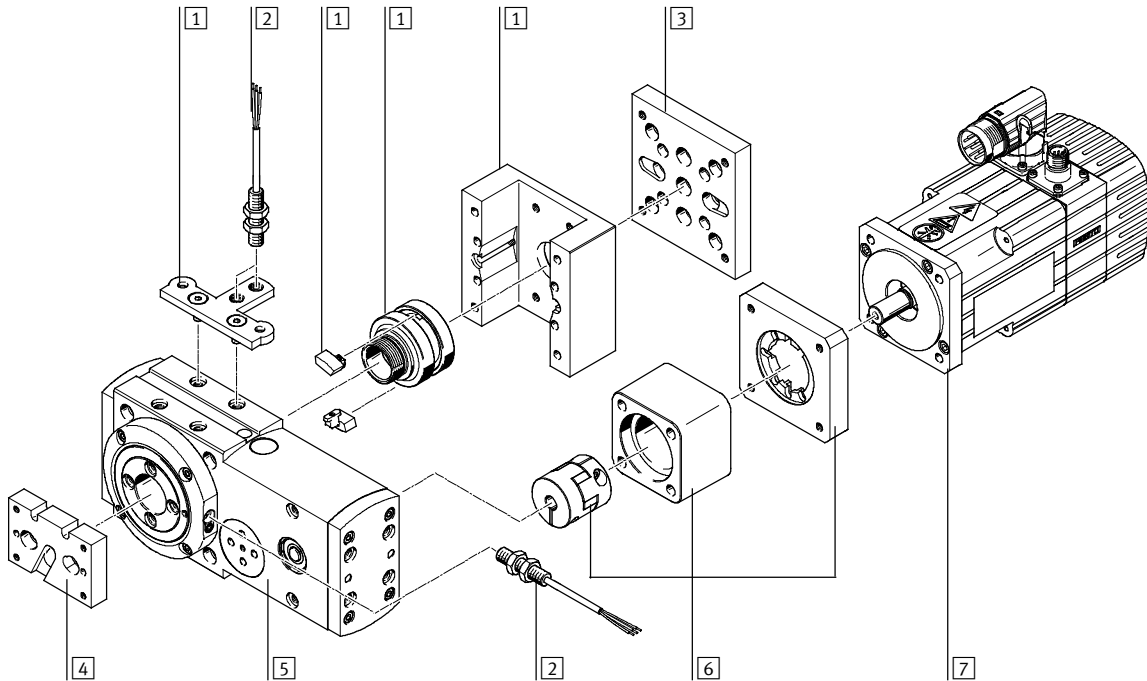
Rotary modules ERMB, electric

Type code and peripherals overview

Type code

		ERMB		25	
Type					
ERMB		Rotary module			
Size					
20		Size 20			
25		Size 25			
32		Size 32			

Peripherals overview



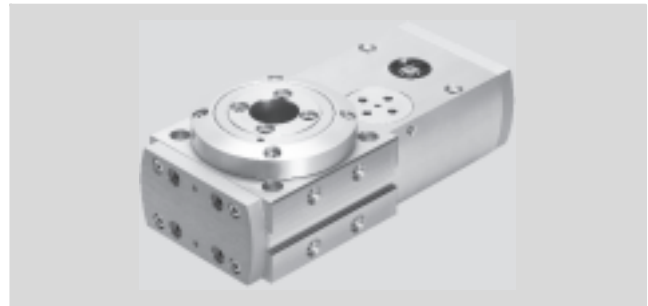
Accessories			
Type	Brief description	→ Page/Internet	
1 Sensing kit EAPS	For indicating impermissible swivel angles, i.e. obstacles or areas that cannot be approached can be sensed using proximity sensors (comprising: housing, trip cam support, 2 cams and sensor bracket)	19	
2 Proximity sensor SIEN	For use as a signal or safety check	19	
3 Adapter kit	Interface between the rotary module and drive (the rotary module can be attached to a drive with or without a sensing kit)	adapter kit	
4 Adapter kit	Interface between the rotary module and gripper	adapter kit	
5 Rotary module ERMB	Facilitates unlimited and flexible rotation angles	6	
6 Axial kit EAMM-A	For axial motor mounting (comprising: coupling, coupling housing and motor flange)	16	
7 Motor EMMS, MTR-DCI	<ul style="list-style-type: none"> • Motors specially matched to the axis, with or without brake • The motor can be turned by 90° for mounting, depending on requirements. This means the connection side can be freely selected 	16	

Rotary modules ERMB, electric

FESTO

Technical data

Size
20, 25, 32



General technical data			
Size	20	25	32
Constructional design	Electromechanical rotary module with toothed belt		
Drive shaft \varnothing [mm]	6	8	12
Rotation angle	Infinite		
Repetition accuracy ¹⁾			
with servo motor EMMS-AS [°]	±0.03		
with stepper motor EMMS-ST ²⁾ [°]	±0.08		
with motor unit MTR-DCI [°]	±0.05		
Positioning times	→ 8		
Transmission ratio	4.5:1	4:1	3:1
Position sensing	Via proximity sensor		
Mounting position	Any		
Product weight [g]	850	1,460	3,250

- 1) As per FN 942 027
2) Depends on the encoder resolution

Mechanical data			
Size	20	25	32
Max. driving torque [Nm]	0.7	2.2	8.5
Max. output torque ¹⁾ [Nm]	3.15	8.8	25.5
No-load driving torque ²⁾ [Nm]	< 0.07	< 0.18	≤ 0.5
Max. input speed [rpm]	1,350	1,200	900
Max. output speed [rpm]	300	300	300
Max. mass moment of inertia ³⁾			
with servo motor EMMS-AS [kgcm ²]	50	200	1,000
with stepper motor EMMS-ST [kgcm ²]	30	100	500
with motor unit MTR-DCI-...-G7 [kgcm ²]	50	300	1,000
with motor unit MTR-DCI-...-G14 [kgcm ²]	200	1,200	3,700
Toothed belt pitch	2	3	5
Hollow shaft \varnothing [mm]	20	24	28

- 1) Output torque less friction depends on speed
2) At maximum speed
3) Depends on the size of the motor. Suitable motors → 16

Operating and environmental conditions			
Size	20	25	32
Ambient temperature [°C]	-10 ... +60		
Protection class	IP20		
Corrosion resistance class CRC ¹⁾	2		
Noise level T_{pEq} ²⁾ [dB (A)]	32	49	53

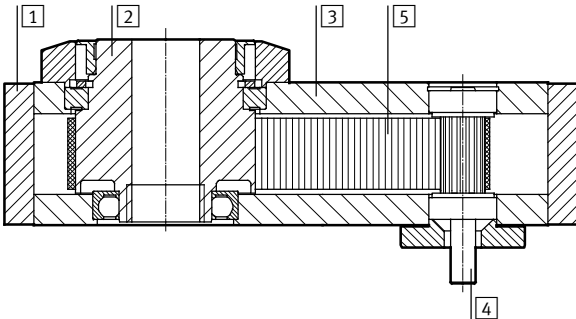
- 1) Corrosion resistance class 2 as per Festo standard 940 070
Components subject to moderate corrosion stress. Externally visible parts with primarily decorative surface requirements which are in direct contact with a normal industrial environment or media such as coolants or lubricating agents.
CRC 2 does not apply to ball bearings, retaining rings, screws < M5
2) In combination with servo motor EMMS-AS

Rotary modules ERMB, electric

Technical data

Materials

Sectional view

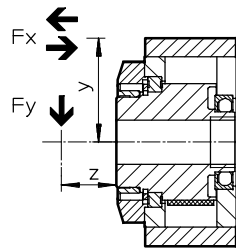


Rotary module

1	End cap	Anodised aluminium
2	Output shaft	Wrought aluminium alloy, anodised
3	Housing	Wrought aluminium alloy, anodised
4	Drive shaft	High-alloy stainless steel
5	Toothed belt	Polychloroprene with glass fibres
-	Note on materials	Contains paint wetting impairment substances

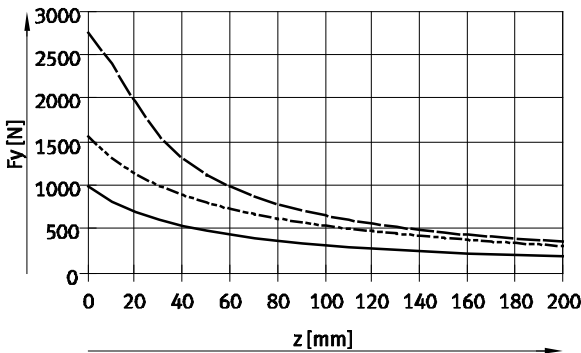
Maximum radial and axial force Fx/Fy on the output shaft as a function of the distance y/z

If the rotary module is subjected to several forces at once, the following equation must be satisfied in addition to the maximum loads indicated below.

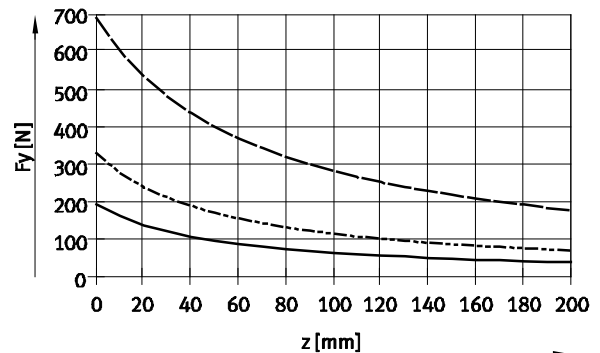


$$\frac{F_{y(z)}}{F_{y, \max. (z)}} + \frac{F_{x, \text{pushing} (y)}}{F_{x, \text{pushing, max.} (y)}} + \frac{F_{x, \text{pulling} (y)}}{F_{x, \text{pulling, max.} (y)}} \leq 1$$

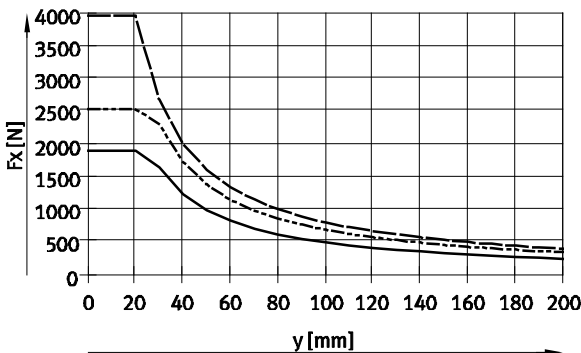
Max. radial force Fy, static



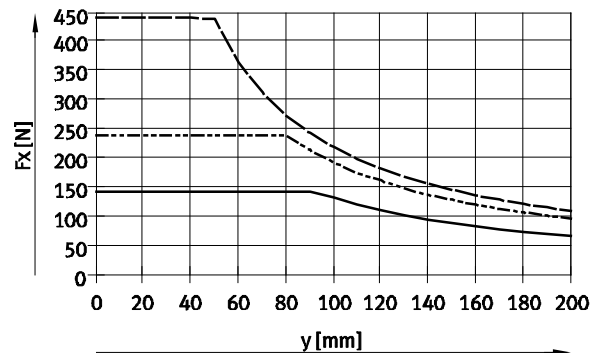
Max. radial force Fy, dynamic



Max. axial force Fx, static, pushing and pulling



Max. axial force Fx, dynamic, pushing and pulling



- ERMB-20
- - - ERMB-25
- ERMB-32

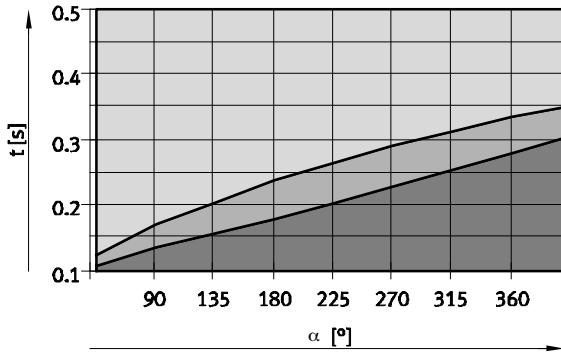
Rotary modules ERMB, electric

Technical data

Positioning time t as a function of the rotation angle α in combination with motor EMMS-.../motor unit MTR-DCI-...

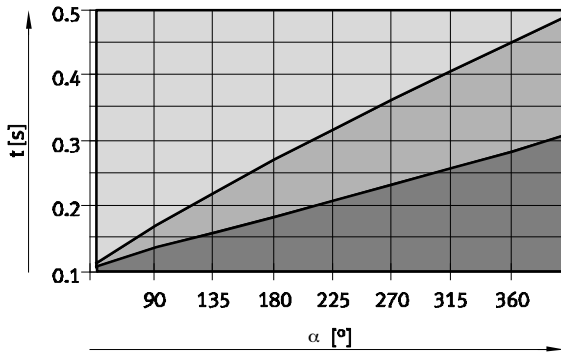
Size 20

with servo motor EMMS-AS



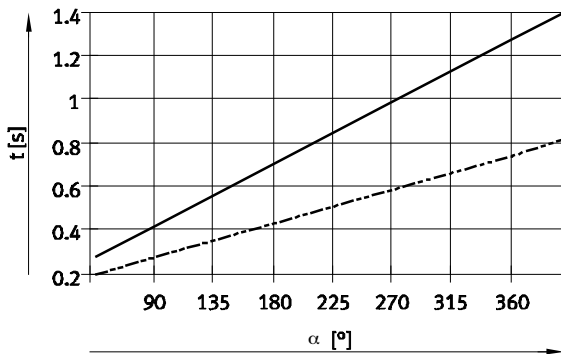
- Extended operating range
- Typical operating range, depending on motor size and load inertia
- Unrealisable range

with stepper motor EMMS-ST



- Extended operating range
- Typical operating range, depending on motor size and load inertia
- Unrealisable range

with motor unit MTR-DCI



- Limit line for MTR-DCI-32-G14 at 0 ... 200 kgcm²
- Limit line for MTR-DCI-32-G7 at 0 ... 50 kgcm²

- - Note

The positioning time t ends with the controller signal MC (motion complete), i.e. on the drive side. Increased positioning times are to be expected at the output shaft depending on the motor type and eccentricity of the moving load.

For servo motor: 50 ... 100 ms
For stepper motor: 100 ... 200 ms

- - Note

The "PositioningDrives" design tool compiles the optimum combination of rotary module and motor for the respective application with respect to mass moment of inertia, positioning time and positioning accuracy.
→ www.festo.com

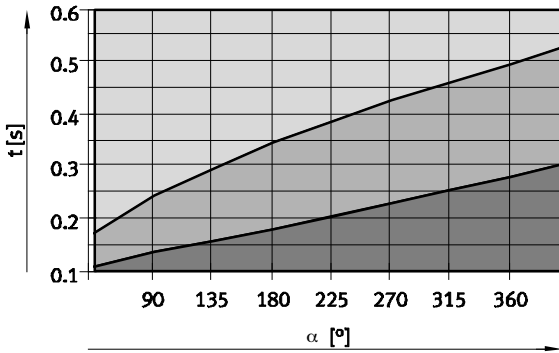
Rotary modules ERMB, electric

Technical data

Positioning time t as a function of the rotation angle α in combination with motor EMMS-.../motor unit MTR-DCI-...

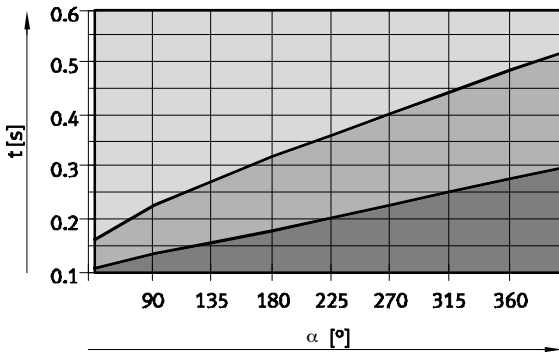
Size 25

with servo motor EMMS-AS



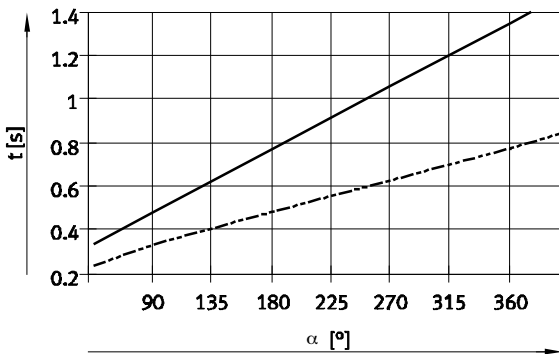
- Extended operating range
- Typical operating range, depending on motor size and load inertia
- Unrealisable range

with stepper motor EMMS-ST



- Extended operating range
- Typical operating range, depending on motor size and load inertia
- Unrealisable range

with motor unit MTR-DCI



- Limit line for MTR-DCI-42-G14 at 0 ... 1,200 kgcm²
- Limit line for MTR-DCI-42-G7 at 0 ... 300 kgcm²

Note

The positioning time t ends with the controller signal MC (motion complete), i.e. on the drive side. Increased positioning times are to be expected at the output shaft depending on the motor type and eccentricity of the moving load.

For servo motor: 50 ... 100 ms
For stepper motor: 100 ... 200 ms

Note

The "PositioningDrives" design tool compiles the optimum combination of rotary module and motor for the respective application with respect to mass moment of inertia and positioning time, positioning accuracy.

→ www.festo.com

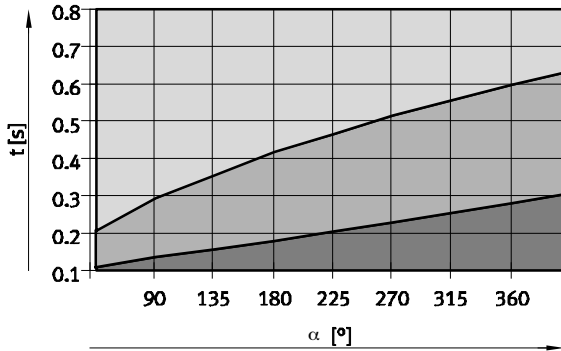
Rotary modules ERMB, electric

Technical data

Positioning time t as a function of the rotation angle α in combination with motor EMMS-.../motor unit MTR-DCI-...

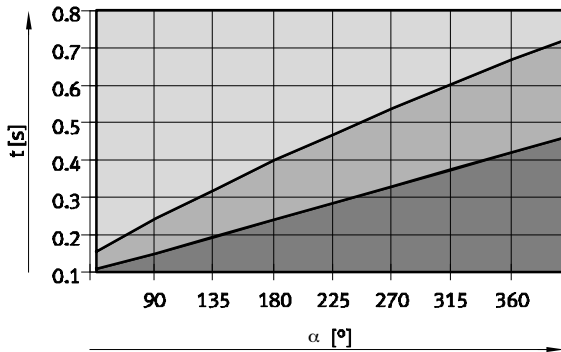
Size 32

with servo motor EMMS-AS



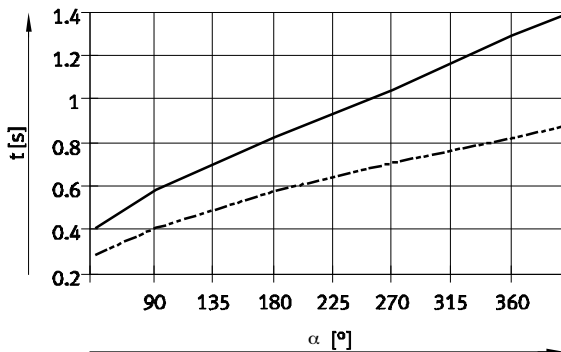
- Extended operating range
- Typical operating range, depending on motor size and load inertia
- Unrealisable range

with stepper motor EMMS-ST



- Extended operating range
- Typical operating range, depending on motor size and load inertia
- Unrealisable range

with motor unit MTR-DCI



- Limit line for MTR-DCI-52-G14 at 0 ... 3,700 kgcm²
- Limit line for MTR-DCI-52-G7 at 0 ... 1,000 kgcm²

- - Note

The positioning time t ends with the controller signal MC (motion complete), i.e. on the drive side. Increased positioning times are to be expected at the output shaft depending on the motor type and eccentricity of the moving load.

For servo motor: 50 ... 100 ms
For stepper motor: 100 ... 200 ms

- - Note

The "PositioningDrives" design tool compiles the optimum combination of rotary module and motor for the respective application with respect to mass moment of inertia and positioning time, positioning accuracy.
→ www.festo.com

Rotary modules ERMB, electric

Technical data



Information on service life characteristic values

Within the framework of product qualification, the specified statistic load changes/switching cycles were achieved with 3 samples.

Definition of load change/switching cycle:

A switching cycle corresponds to two load changes: position A to position B and back.

Size		20	25	32
Guide value load changes	[Mio.]	30	40	40
Guide value switching cycles	[Mio.]	15	20	20
Mass moment of inertia at output	[kgcm ²]	24	80	400
Medium angle acceleration at output	[°/sec ²]	28,000	20,000	12,000
Maximum angle speed at output	[°/sec]	1,800	1,800	1,800

The above specified statistic load change/switching cycles were achieved under the following defined operating conditions: horizontally hanging fitting, 180° swivel angle,

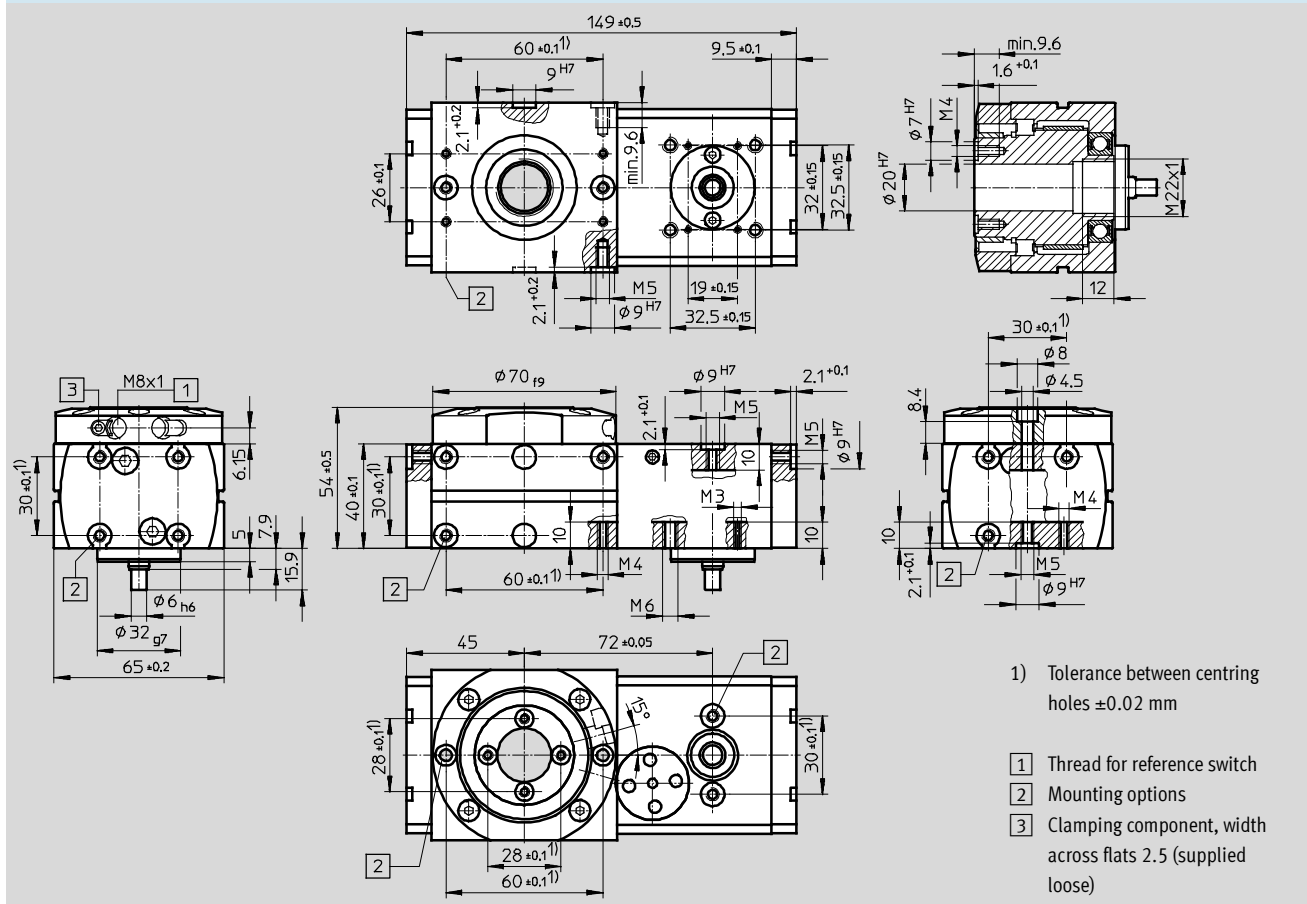
frequency 2 Hz, mass moment of inertia, acceleration (jerk-free) and max. angle speed as specified in the table, room temperature (23 ± 5) °C.

Under different operating conditions, a shorter or longer service life is possible. The conditions of use and safety regulations specified in the product documentation must also be taken into account.

Dimensions

Download CAD data → www.festo.com

Size 20



Rotary modules ERMB, electric

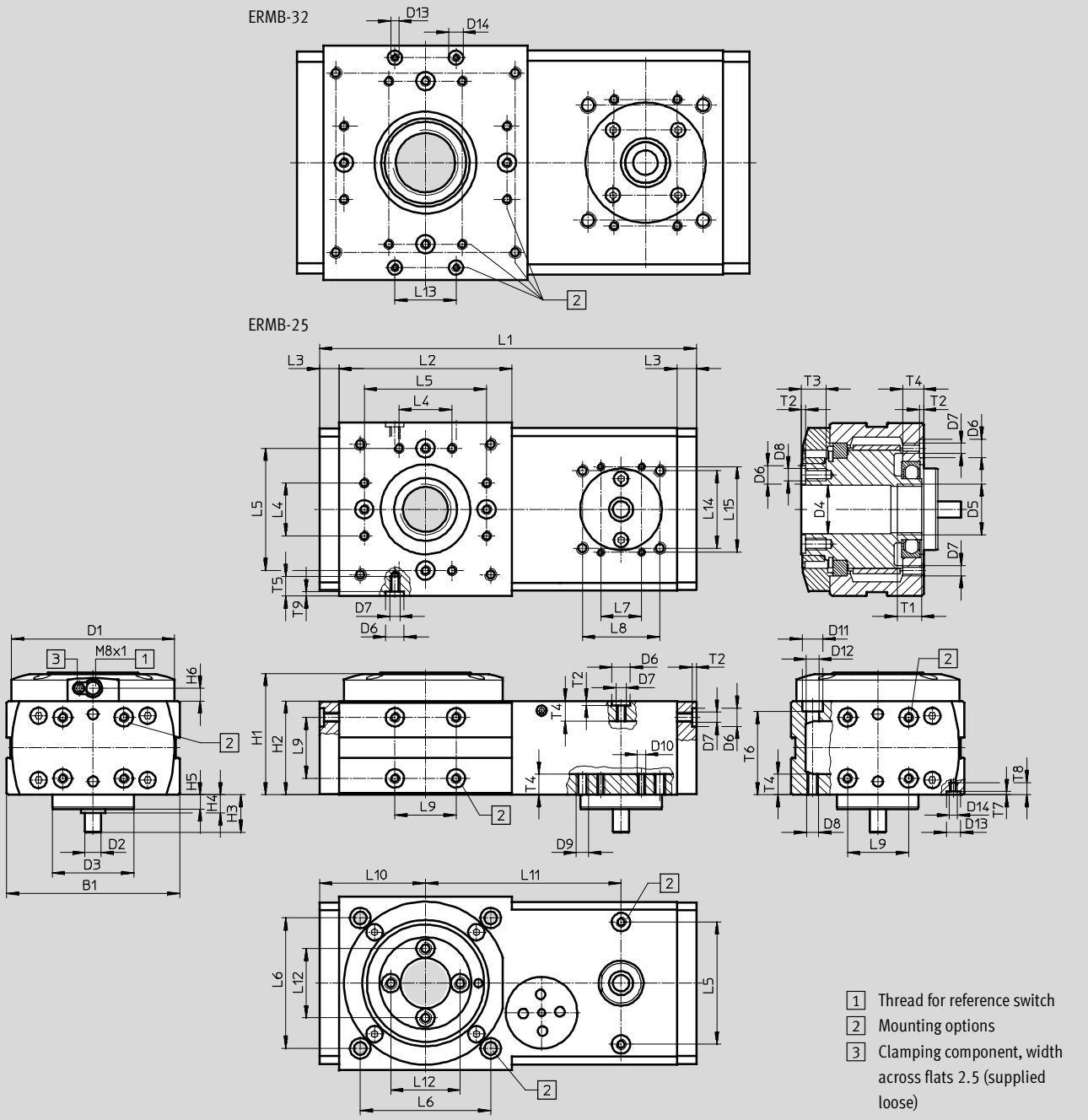
Technical data

FESTO

Dimensions

Download CAD data → www.festo.com

Size 25/32



Rotary modules ERMB, electric

Technical data

Size	B1 ±0.2	D1 ∅ f9	D2 ∅ h6	D3 ∅ g7	D4 ∅ H7	D5	D6 ∅ H7	D7	D8	D9	D10
25	85	80	8	40	24	M25x1	9	M5	M6	M6	M4
32	115	112	12	60	28	M32x1.5	9	M5	M6	M8	M5

Size	D11 ∅	D12 ∅	D13 ∅ H7	D14	H1 ±0.5	H2 ±0.1	H3	H4	H5	H6	L1 ±0.5
25	10	6.2	-	-	60	46	18.45	-	7	6.3	185
32	10	6.2	7	M4	76.05	60	23.5	6.5	6	9.4	222

Size	L2 ±0.2	L3 ±0.1	L4 ±0.1	L5 ¹⁾ ±0.1	L6	L7 ±0.15	L8 ±0.15	L9 ¹⁾ ±0.1	L10	L11 ±0.05	L12 ¹⁾ ±0.1	L13 ¹⁾ ±0.1
25	85	9.5	26	60	64±0.15	20	38	30	52	96	34	-
32	100	13	36	80	88±0.1	31	56.5	40	63	108	45	30

Size	L14 ±0.15	L15 ±0.15	L16 +0.2	T1	T2 +0.1	T3 min.	T4	T5 min.	T6	T7 +0.1	T8 min.	T9 +0.2
25	38	42	-	12	2.1	12	10	9.6	40.8±0.2	-	-	2.1
32	56.5	62	103	12	2.1	12	10	10	54.3	1.6	7.6	2.1

1) Tolerance between centring holes ±0.02 mm

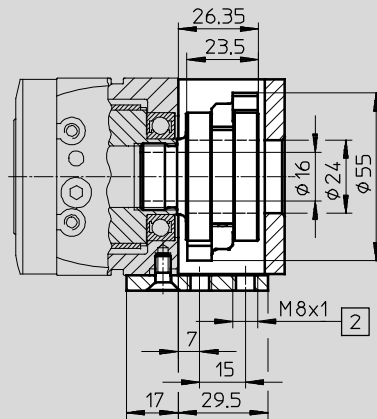
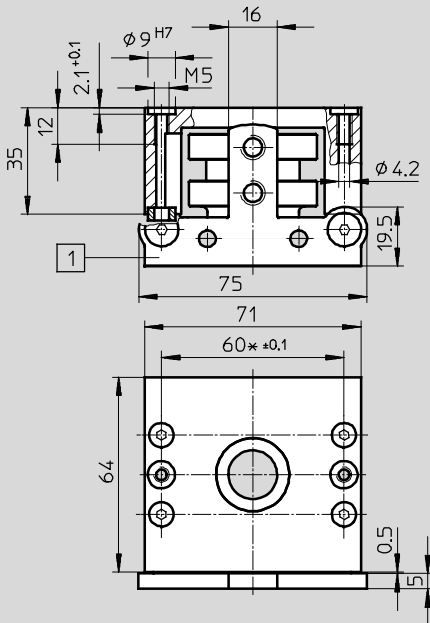
Rotary modules ERMB, electric

Technical data

Dimensions

Download CAD data → www.festo.com

Sensing kit EAPS-R1-20-S for size 20



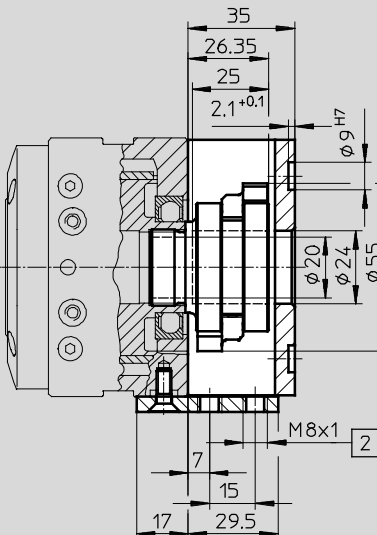
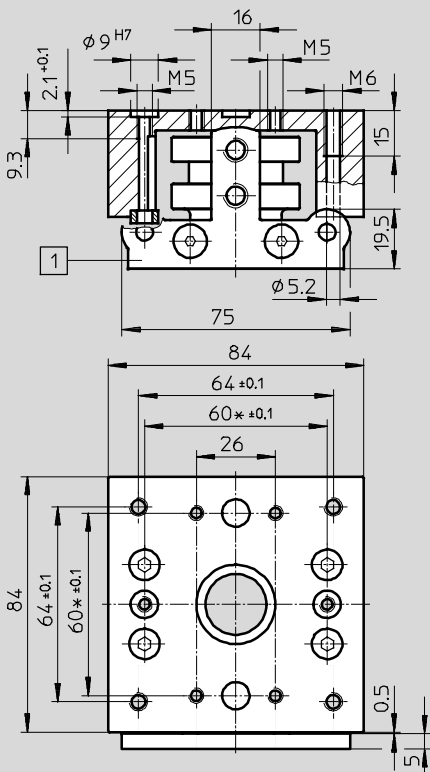
Note
Ordering data → 19

* Tolerance between centring holes ± 0.02 mm

1 Bracket for proximity sensor SIEN-M8B

2 Thread for proximity sensor SIEN-M8B

Sensing kit EAPS-R1-25-S for size 25



Note
Ordering data → 19

* Tolerance between centring holes ± 0.02 mm

1 Bracket for proximity sensor SIEN-M8B

2 Thread for proximity sensor SIEN-M8B

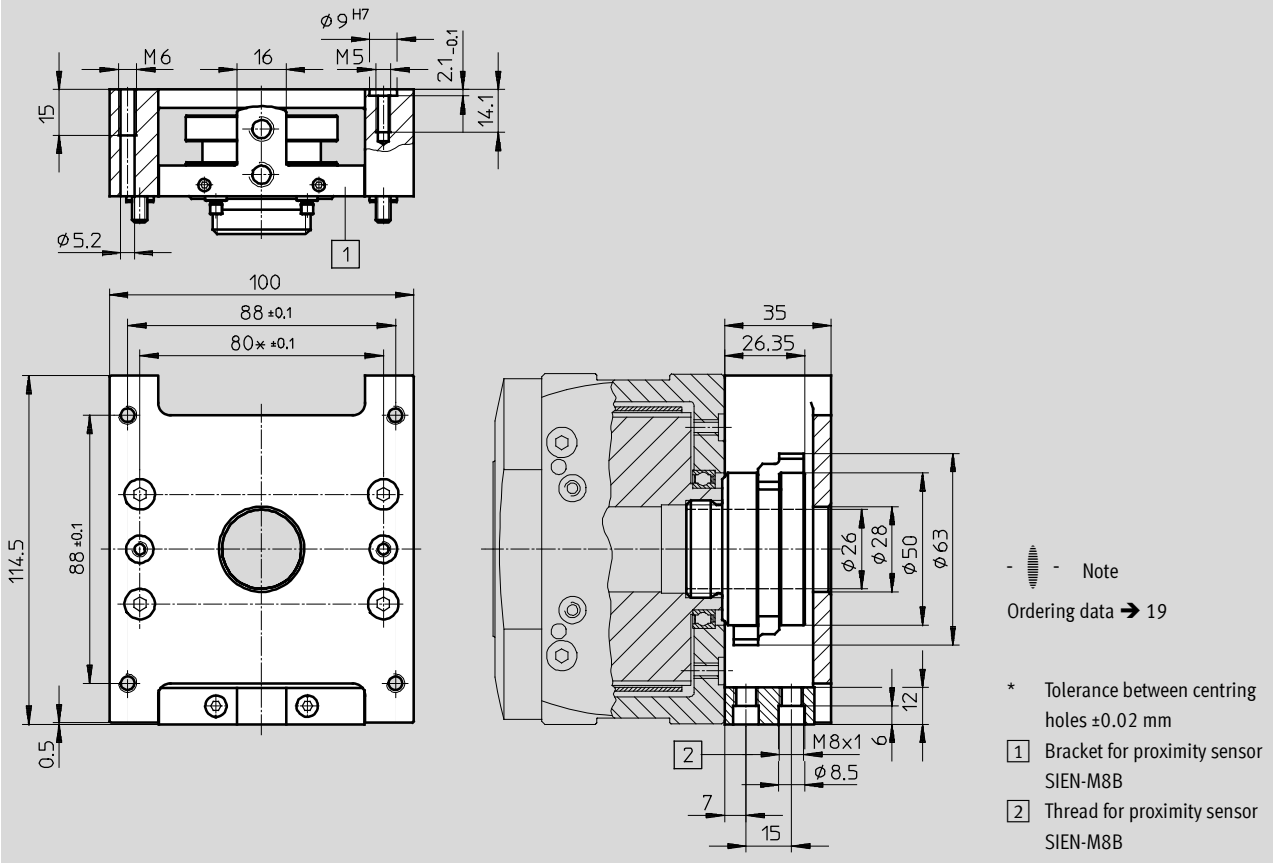
Rotary modules ERMB, electric

Technical data

Dimensions

Download CAD data → www.festo.com

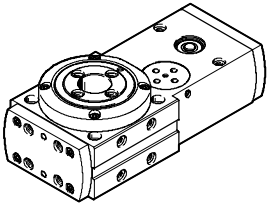
Sensing kit EAPS-R1-32-S for size 32



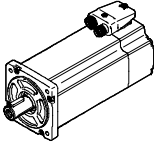
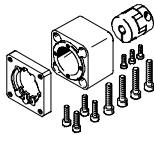


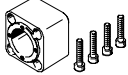
Rotary modules ERMB, electric

Technical data and accessories

FESTO

Ordering data			
	Size	Part No.	Type
	20	552 706	ERMB-20
	25	552 707	ERMB-25
	32	552 708	ERMB-32

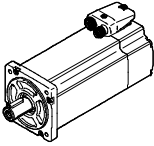
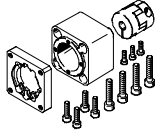
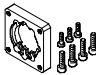
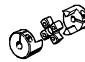
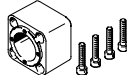
Accessories

Permissible axis/motor combinations with axial kit – Without gear unit				
Motor/motor unit	Axial kit	Axial kit comprising:		
		Motor flange	Coupling	Coupling housing
				
Type	Part No. Type	Part No. Type	Part No. Type	Part No. Type
ERMB-20				
with servo motor				
EMME-AS-40-...	2207441 EAMM-A-D32-35A-40P	–	533708 EAMC-30-32-6-8	2207509 EAMK-A-D32-35-40P
EMMS-AS-40-...	560281 EAMM-A-D32-35A-40A	–	558312 EAMC-30-32-6-6	560280 EAMK-A-D32-35-40A
with stepper motor				
EMMS-ST-42-...	543148 EAMM-A-D32-42A	552164 EAMF-A-28B-42A	543419 EAMC-16-20-5-6	552155 EAMK-A-D32-28B
EMMS-ST-57-...	550980 EAMM-A-D32-57A	530081 EAMF-A-44A/B-57A	551002 EAMC-30-32-6-6.35	551006 EAMK-A-D32-44A/C
with motor unit				
MTR-DCI-32S-...	543149 EAMM-A-D32-32B	–	543420 EAMC-16-20-6-6	552156 EAMK-A-D32-32B
ERMB-25				
with servo motor				
EMMS-AS-55-...	543153 EAMM-A-D40-55A	529942 EAMF-A-44A/B-55A	543423 EAMC-30-32-8-9	552157 EAMK-A-D40-44A/C
EMME-AS-60-...	1977000 EAMM-A-D40-60P	1956846 EAMF-A-44C-60P	562682 EAMC-30-32-8-14	552157 EAMK-A-D40-44A/C
EMMS-AS-70-...	550981 EAMM-A-D40-70A	529943 EAMF-A-44A/B-70A	551004 EAMC-30-32-8-11	552157 EAMK-A-D40-44A/C
with stepper motor				
EMMS-ST-57-...	543154 EAMM-A-D40-57A	530081 EAMF-A-44A/B-57A	543421 EAMC-30-32-6.35-8	552157 EAMK-A-D40-44A/C
with motor unit				
MTR-DCI-42S-...-G7	543155 EAMM-A-D40-42B	–	543422 EAMC-30-32-8-8	552158 EAMK-A-D40-42B
MTR-DCI-42S-...-G14	543156 EAMM-A-D40-42C	–	543422 EAMC-30-32-8-8	552159 EAMK-A-D40-42C

Rotary modules ERMB, electric

Accessories

FESTO

Permissible axis/motor combinations with axial kit – Without gear unit				Technical data → Internet: eamm-a
Motor/motor unit	Axial kit	Axial kit consisting of:		
		Motor flange	Coupling	Coupling housing
				
Type	Part No. Type	Part No. Type	Part No. Type	Part No. Type
ERMB-32				
With servo motor				
EMMS-AS-70-...	543161 EAMM-A-D60-70A	529945 EAMF-A-64A/B-70A	543424 EAMC-42-50-11-12	552160 EAMK-A-D60-64B
EMME-AS-80-...	1977073 EAMM-A-D60-80P	1977113 EAMF-A-64A/C-80P	551005 EAMC-42-50-12-19	551007 EAMK-A-D60-64C
EMME-AS-100-...	550983 EAM-A-D60-100A	529947 EAMF-A-64A/C/D-100A	551005 EAMC-42-50-12-19	551007 EAMK-A-D60-64C
EMMS-AS-100-...	550983 EAM-A-D60-100A	529947 EAMF-A-64A/C/D-100A	551005 EAMC-42-50-12-19	551007 EAMK-A-D60-64C
With stepper motor				
EMMS-ST-87-...	543162 EAMM-A-D60-87A	533140 EAMF-A-64A/B-87A	543424 EAMC-42-50-11-12	552160 EAMK-A-D60-64B
With motor unit				
MTR-DCI-52S-...-G7	543163 EAMM-A-D60-52B	–	533709 EAMC-42-50-12-12	552161 EAMK-A-D60-52B
MTR-DCI-52S-...-G14	543164 EAMM-A-D60-52C	–	533709 EAMC-42-50-12-12	552162 EAMK-A-D60-52C

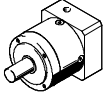
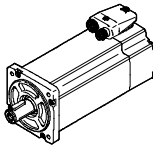
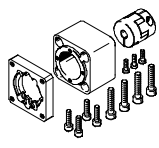
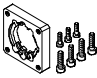
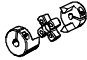
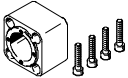
-  - Note


Note the maximum permissible drive torque of the ERMB. The motor current may need to be limited.

Rotary modules ERMB, electric

Accessories

FESTO


Permissible axis/motor combinations with axial kit – With gear unit						Technical data → Internet: eamm-a
Gear unit	Motor	Axial kit	Axial kit consisting of:			
			Motor flange	Coupling	Coupling housing	
						
Type	Type	Part No. Type	Part No. Type	Part No. Type	Part No. Type	
ERMB-25						
With servo motor						
EMGA-40-P-G...-EAS-40	EMME-AS-40-...	560282 EAMM-A-D40-40G	550986 EAMF-A-44A/B-40G	558029 EAMC-30-32-8-10	552157 EAMK-A-D40-44A/C	
EMGA-40-P-G...-SAS-40	EMMS-AS-40-...	560282 EAMM-A-D40-40G	550986 EAMF-A-44A/B-40G	558029 EAMC-30-32-8-10	552157 EAMK-A-D40-44A/C	
With stepper motor						
EMGA-40-P-G...-SST-42	EMME-ST-42-...	560282 EAMM-A-D40-40G	550986 EAMF-A-44A/B-40G	558029 EAMC-30-32-8-10	552157 EAMK-A-D40-44A/C	
ERMB-32						
With servo motor						
EMGA-60-P-G...-SAS-55	EMMS-AS-55-...	560283 EAMM-A-D60-60G	550987 EAMF-A-64A/B-60G	543424 EAMC-42-50-11-12	552160 EAMK-A-D60-64B	
EMGA-60-P-G...-SAS-70	EMMS-AS-70-...	560283 EAMM-A-D60-60G	550987 EAMF-A-64A/B-60G	543424 EAMC-42-50-11-12	552160 EAMK-A-D60-64B	
With stepper motor						
EMGA-60-P-G...-SST-57	EMMS-ST-57-...	560283 EAMM-A-D60-60G	550987 EAMF-A-64A/B-60G	543424 EAMC-42-50-11-12	552160 EAMK-A-D60-64B	

 Note
 Note the maximum permissible drive torque of the ERMB. The motor current may need to be limited.

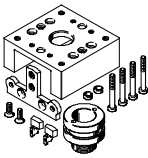

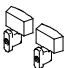
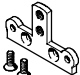
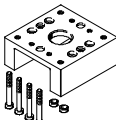
Rotary modules ERMB, electric


Accessories


FESTO

Ordering data – Centring sleeves						
	For size	Brief description	Number	Part No.	Type	PU ¹⁾
	20	For centring loads and attachments (centring sleeves are included in the scope of delivery of the rotary module)	2	186 717	ZBH-7	10
	25, 32		2	150 927	ZBH-9	
			4			

1) Packaging unit

Ordering data						
	For size	Brief description	Weight [g]	Part No.	Type	PU ¹⁾
Sensing kit EAPS-...-S						
	20	Kit with housing (trip cam support, 2 cams, sensor bracket)	258	558 392	EAPS-R1-20-S	1
	25		406	558 393	EAPS-R1-25-S	
	32		560	558 394	EAPS-R1-32-S	
Sensing kit without housing EAPS-...-S-WH						
	20	Kit without housing (trip cam support, 2 cams, sensor bracket)	86	558 395	EAPS-R1-20-S-WH	1
	25		90	558 396	EAPS-R1-25-S-WH	
	32		136	558 397	EAPS-R1-32-S-WH	
Cam EAPS-...-CK						
	20, 25, 32	For sensing positions (2 cams included in the scope of delivery)	5 each	558 398	EAPS-R1-CK	2
Sensor bracket EAPS-...-SH						
	20, 25	For attaching proximity sensors to the rotary module	24	558 399	EAPS-R1-20-SH	1
	32		30	558 400	EAPS-R1-32-SH	
Housing EAPS-...-H						
	20	For protecting the sensing kit and mounting interface with the drive	172	560 673	EAPS-R1-20-H	1
	25		316	560 674	EAPS-R1-25-H	
	32		424	560 675	EAPS-R1-32-H	

Ordering data – Proximity sensors, inductive				Technical data → Internet: sien	
	Contact	Connection	Part No.	Type	
	N/O contact	Cable, 2.5 m	150 386	SIEN-M8B-PS-K-L	
		Plug	150 387	SIEN-M8B-PS-S-L	
	N/C contact	Cable, 2.5 m	150 390	SIEN-M8B-PO-K-L	
		Plug	150 391	SIEN-M8B-PO-S-L	

Ordering data – Connecting cables				Technical data → Internet: nebu	
	Electrical connection, left	Electrical connection, right	Cable length [m]	Part No.	Type
	Straight socket, M8x1, 3-pin	Cable, open end, 3-wire	2.5	541 333	NEBU-M8G3-K-2.5-LE3
			5	541 334	NEBU-M8G3-K-5-LE3