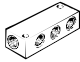
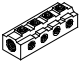




Distribution manifolds FR



Distribution manifolds FR

Product range overview

Series	Design	Type	Pneumatic connection		Number of		→ Page/ Internet
			Supply line	Outlet	Supply lines	Outlets	
Distribution manifold	With 4 connections						
		FR-4	G1/8	G1/8	1	3	3
			G1/4	G1/4			
			G3/8	G3/8			
			G1/2	G1/2			
	With 8 connections						
		FR-8	G3/8	G1/8	2	8	3
			G1/2	G1/4			
			G3/4	G1/2			
	With 9 connections						
		FR-9	G1/8	M3	1	9	4
	With 12 connections						
		FR-12	G1/8	M5	2	12	4

Operating and environmental conditions				
Type	FR-4	FR-8	FR-9	FR-12
Operating pressure [bar]	0 ... 16			
Operating medium	Compressed air according to ISO 8573-1:2010 [7:-:-]			
Note on operating/pilot medium	Lubricated operation possible (in which case lubricated operation will always be required)			
Ambient temperature [°C]	-10 ... +80	-10 ... +60	-10 ... +80	-10 ... +60
Corrosion resistance class CRC ¹⁾	-	-	2	2

1) Corrosion resistance class 2 according to Festo standard 940 070
 Components subject to moderate corrosion stress. Externally visible parts with primarily decorative surface requirements which are in direct contact with a normal industrial environment or media such as coolants or lubricating agents.

Distribution manifolds FR

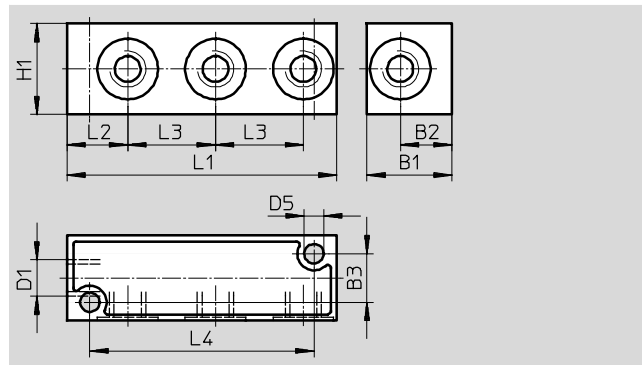
Technical data

Distribution manifold FR-4

No. of supply lines: 1
No. of outlets: 3

Material:
Die-cast aluminium

Note on materials:
RoHS-compliant



Dimensions and ordering data															
Connection supply line D1	Nominal size [mm]	Connection outlet D1	B1	B2	B3	D5	H1	L1	L2	L3	L4	Weight [g]	Part No.	Type	PU*
G1/8	8.6	G1/8	20	11.6	13	4.4	17	56	13.5	17	46	25	6701	FR-4-1/8-B	1
G1/4	11.5	G1/4	28	17	16	6.4	30	89	20	29	74	60	7849	FR-4-1/4-C	1
G3/8	15	G3/8	32	19	20	6.4	26	85	20	26	72	75	6703	FR-4-3/8-B	1
G1/2	18.6	G1/2	38	22	25	6.4	32	105	25	32	90	120	6704	FR-4-1/2-B	1

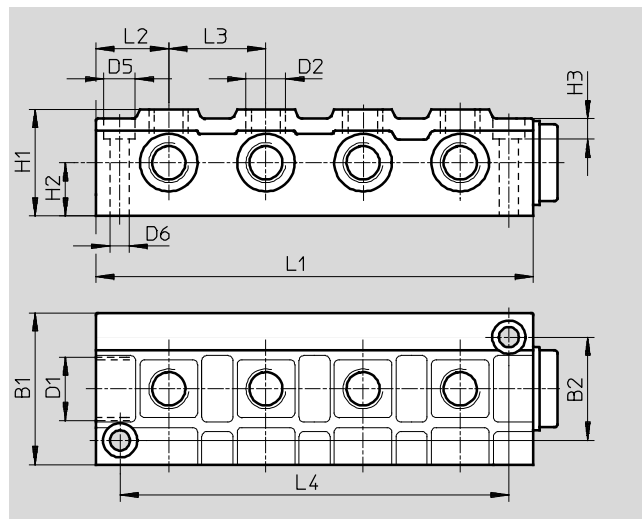
* Packaging unit quantity

Distribution manifold FR-8

No. of supply lines: 2, including one sealed with a blanking plug
No. of outlets: 8

Material:
Die-cast aluminium

Note on materials:
RoHS-compliant



Dimensions and ordering data																	
Connection supply line D1	Nominal size [mm]	Connection outlet D2	B1	B2	D5	D6	H1	H2	H3	L1	L2	L3	L4	Weight [g]	Part No.	Type	PU*
G3/8	8.6	G1/8	40	26	11	6.6	30	15	6.8	114	22.5	23	100	135	2077	FR-8-1/8	1
G1/2	11.5	G1/4	50	34	11	6.6	35	17.5	6.8	144	24	32	128	230	2078	FR-8-1/4	1
G3/4	18.6	G1/2	60	40	15	9	45	22.5	9	170	31	36	150	1000	6411	FR-8-1/2	1

* Packaging unit quantity

Distribution manifolds FR

Technical data



Distribution manifold FR-9

No. of supply lines: 1

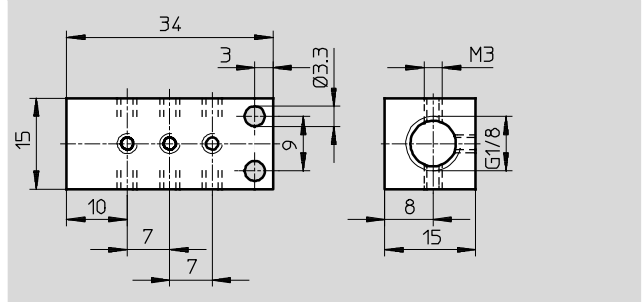
No. of outlets: 9

Material:

Anodised aluminium

Note on materials:

RoHS-compliant



Dimensions and ordering data						
Connection supply line	Nominal size [mm]	Connection outlet	Weight [g]	Part No.	Type	PU*
G $\frac{1}{8}$	2.5	M3	15	30981	FR-9-M3-B	1

* Packaging unit quantity

Distribution manifold FR-12

No. of supply lines: 2, including one sealed with a blanking plug

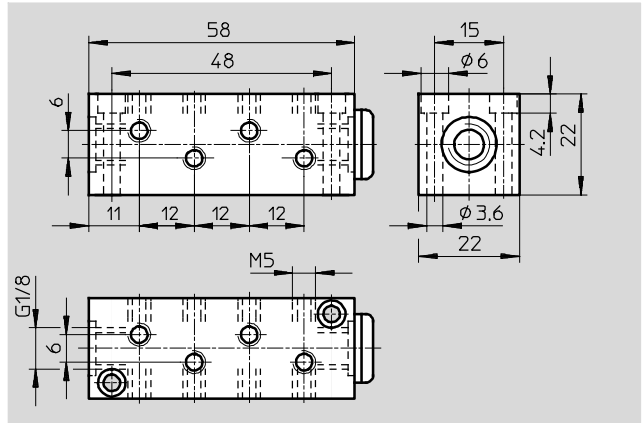
No. of outlets: 12

Material:

Anodised aluminium

Note on materials:

RoHS-compliant



Dimensions and ordering data						
Connection supply line	Nominal size [mm]	Connection outlet	Weight [g]	Part No.	Type	PU*
G $\frac{1}{8}$	4.1	M5	40	4525	FR-12-M5	1

* Packaging unit quantity