

Push-in fittings CRQS, Quick Star, stainless steel, NPT



Push-in fittings CRQS, Quick Star, stainless steel, NPT

Technical data

General technical data	
Size	Standard
Design	Push-pull principle
Mounting position	Any

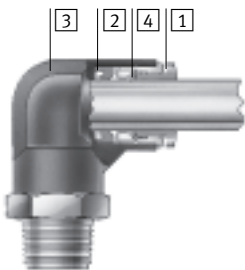
Operating and environmental conditions		
Operating pressure	[Psi]	-13.8 ... +203.1
Operating medium		Compressed air in accordance with ISO 8573-1:2010 [7:-:-]
Ambient temperature	[°F]	-4 ... +302
Corrosion resistance class	CRC ¹⁾	4

1) Corrosion resistance class 4 according to Festo standard 940 070

Components subject to particularly high corrosion stress. Parts used with aggressive media, e.g. in the food or chemical industry. These applications should be supported with special tests with the media if required.

Materials


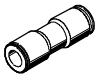
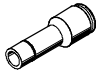
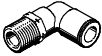

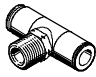
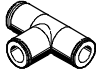
Sectional view



		CRQS, NPT
1	Releasing ring	High-alloy stainless steel
2	Tubing seal	Fluoro elastomer
3	Housing	High-alloy stainless steel
4	Tube retaining claw	High-alloy stainless steel
Note on materials		Contains PWIS (paint wetting impairment substances)
		RoHS-compliant

Push-in fittings CRQS, Quick Star, stainless steel, NPT

Product range overview

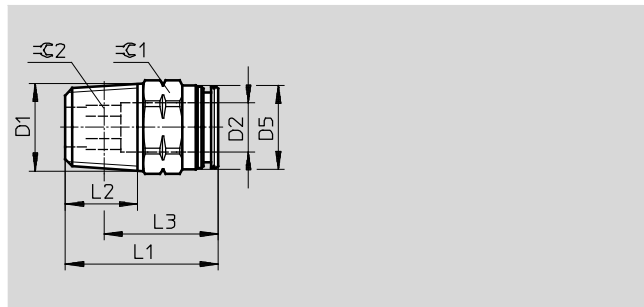
Design	Version	Type	Connection D1			Connection D2		→ Page/ Internet
			NPT thread	Tubing O.D.	Push-in sleeve ∅	Tubing O.D.		
Inline	Push-in fitting – Male thread with internal/external hex							
		CRQS	1/8	-	-	-	5/32, 1/4	4
			1/4				1/4, 5/16, 3/8	
			3/8				3/8, 1/2	
			1/2				1/2	
	Push-in connector							
		CRQS-...T	-	-	5/32	-	-	4
			1/4					
			5/16					
			3/8					
1/2								
Push-in connector with push-in sleeve								
	CRQS-...H	-	-	1/4	-	5/32	5	
		5/16		1/4				
		3/8		1/4, 5/16				
L-shape	Push-in L-fitting, orientable – Male thread with external hex							
		CRQSL	1/8	-	-	-	5/32, 1/4	6
			1/4				1/4, 5/16, 3/8	
			3/8				3/8, 1/2	
			1/2				1/2	
	Push-in L-connector							
		CRQSL-...T	-	-	5/32	-	-	6
			1/4					
			5/16					
			3/8					
1/2								
T-shape	Push-in T-fitting, orientable – Male thread with external hex							
		CRQST	1/8	-	-	-	5/32, 1/4	7
			1/4				1/4, 5/16, 3/8	
			3/8				3/8	
	Push-in T-connector							
		CRQST-...T	-	-	5/32	-	-	7
			1/4					
			5/16					
			3/8					
			1/2					

Push-in fittings CRQS, Quick Star, stainless steel, NPT

Technical data

Push-in fitting CRQS

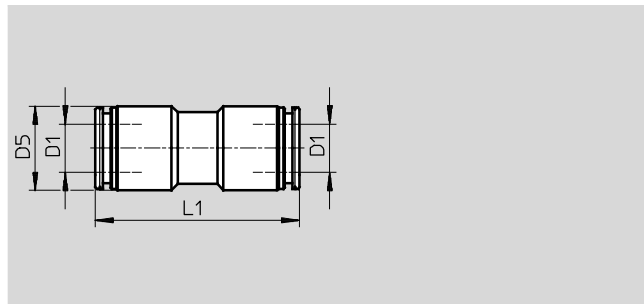
Male thread with external hex



Dimensions and ordering data												
Connection	Nominal size	Tubing O.D.	D5 ∅	L1	L2	L3	$\approx C1$	$\approx C2$	Weight/piece	Part No.	Type	PU ¹⁾
D1	[inch]	D2							[oz]			
1/8	0.118	5/32	9.5	19.5	8.5	15.4	15/32	1/8	0.342	565318	CRQS-1/8-5/32-U	1
	0.157	1/4	12.0	22.0	8.5	17.9	1/2	5/32	0.388	565319	CRQS-1/8-1/4-U	1
1/4	0.157	1/4	12.0	24.5	13.0	18.7	35/64	5/32	0.628	565320	CRQS-1/4-1/4-U	1
	0.256	5/16	14.0	25.5	13.0	19.7	35/64	1/4	0.575	565321	CRQS-1/4-5/16-U	1
	0.256	3/8	16.0	32.0	13.0	26.2	21/32	1/4	0.896	565322	CRQS-1/4-3/8-U	1
3/8	0.315	3/8	16.0	25.5	13.0	19.4	45/64	5/16	0.917	565323	CRQS-3/8-3/8-U	1
	0.413	1/2	20.0	29.5	13.0	23.4	13/16	13/32	1.118	565324	CRQS-3/8-1/2-U	1
1/2	0.413	1/2	19.5	30.5	17.0	22.4	55/64	13/32	1.633	565325	CRQS-1/2-1/2-U	1

1) Packaging unit

Push-in connector CRQS-...T



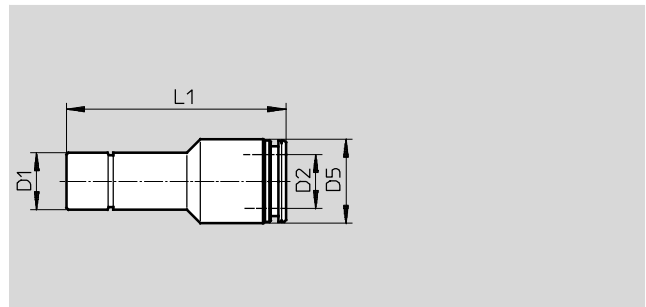
Dimensions and ordering data							
Tubing O.D.	Nominal size	D5 ∅	L1	Weight/piece	Part No.	Type	PU ¹⁾
D1	[inch]			[oz]			
5/32	0.118	9.5	28.0	0.307	565340	CRQS-5/32T-U	1
1/4	0.217	12.0	33.5	0.515	565341	CRQS-1/4T-U	1
5/16	0.256	14.0	34.0	0.695	565342	CRQS-5/16T-U	1
3/8	0.335	16.0	38.5	0.945	565343	CRQS-3/8T-U	1
1/2	0.433	20.0	41.0	1.552	565344	CRQS-1/2T-U	1

1) Packaging unit

Push-in fittings CRQS, Quick Star, stainless steel, NPT

Technical data

Push-in connector CRQS-...H
with push-in sleeve



Dimensions and ordering data								
Connection	Nominal size	Tubing O.D.	D5	L1	Weight/piece	Part No.	Type	PU ¹⁾
D1	[inch]	D2	∅		[oz]			
1/4	0.118	5/32	9.5	31.5	–	565355	CRQS-1/4H-5/32-U	1
5/16	0.197	1/4	12.0	34.5	0.406	565356	CRQS-5/16H-1/4-U	1
3/8	0.217	1/4	12.0	34.5	0.483	565357	CRQS-3/8H-1/4-U	1
	0.256	5/16	14.0	36.5	0.547	565358	CRQS-3/8H-5/16-U	1

1) Packaging unit

Push-in fittings CRQS, Quick Star, stainless steel, NPT

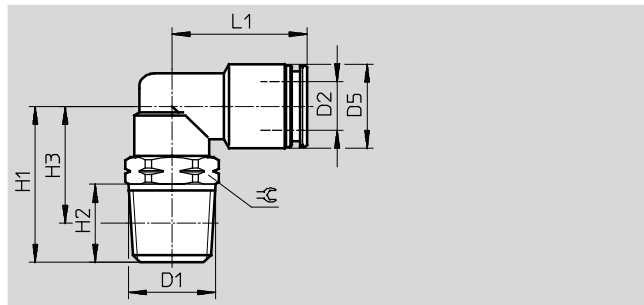
FESTO

Technical data

Push-in L-fitting CRQSL

Orientable

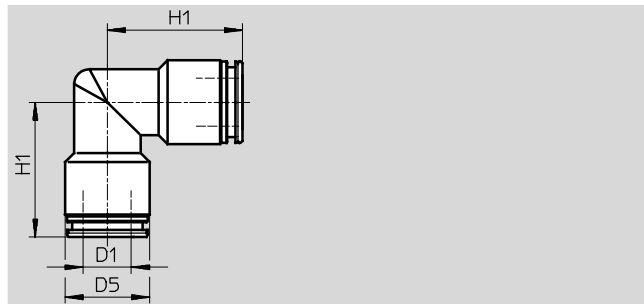
Male thread with external hex



Dimensions and ordering data												
Connection	Nominal size	Tubing O.D.	D5 ∅	H1	H2	H3	L1	⊖	Weight/piece	Part No.	Type	PU ¹⁾
D1	[inch]	D2							[oz]			
1/8	0.118	5/32	9.5	18.5	8.5	14.4	17.5	15/32	0.441	565326	CRQSL-1/8-5/32-U	1
	0.217	1/4	12.0	21.0	8.5	16.9	21.5	1/2	0.705	565327	CRQSL-1/8-1/4-U	1
1/4	0.217	1/4	12.0	26.0	13.0	20.2	21.5	35/64	0.97	565328	CRQSL-1/4-1/4-U	1
	0.236	5/16	14.0	26.0	13.0	20.2	22.5	35/64	0.967	565329	CRQSL-1/4-5/16-U	1
	0.335	3/8	16.0	29.0	13.0	23.2	26.0	21/32	1.376	565330	CRQSL-1/4-3/8-U	1
3/8	0.335	3/8	16.0	29.0	13.0	22.9	26.0	45/64	1.517	565331	CRQSL-3/8-3/8-U	1
	0.413	1/2	20.0	32.5	13.0	26.4	28.5	13/16	2.37	565332	CRQSL-3/8-1/2-U	1
1/2	0.413	1/2	20.0	37.0	17.0	28.9	28.5	55/64	2.723	565333	CRQSL-1/2-1/2-U	1

1) Packaging unit

Push-in L-connector CRQSL...T



Dimensions and ordering data							
Tubing O.D.	Nominal size	D5 ∅	H1	Weight/piece	Part No.	Type	PU ¹⁾
D1	[inch]			[oz]			
5/32	0.138	9.5	17.5	0.444	565345	CRQSL-5/32-T-U	1
1/4	0.217	12.0	21.0	0.515	565346	CRQSL-1/4-T-U	1
5/16	0.256	14.0	22.5	0.868	565347	CRQSL-5/16-T-U	1
3/8	0.335	16.0	25.5	1.517	565348	CRQSL-3/8-T-U	1
1/2	0.433	20.0	27.5	1.781	565349	CRQSL-1/2-T-U	1

1) Packaging unit

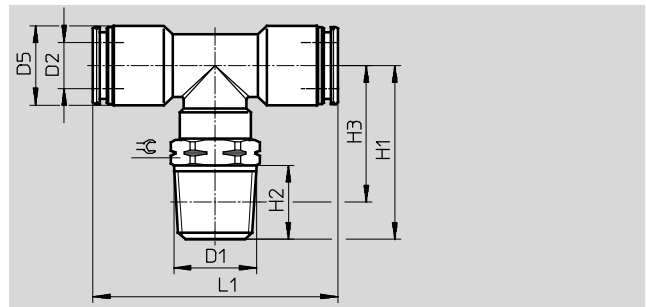
Push-in fittings CRQS, Quick Star, stainless steel, NPT

Technical data

Push-in T-fitting CRQST

Orientable

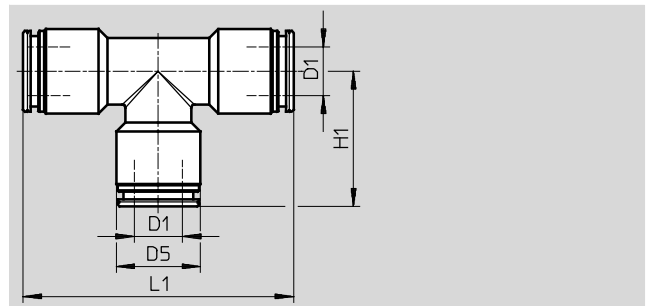
Male thread with external hex



Dimensions and ordering data												
Connection	Nominal size	Tubing O.D.	D5 ∅	H1	H2	H3	L1	⌀	Weight/piece	Part No.	Type	PU ¹⁾
D1	[inch]	D2							[oz]			
1/8	0.118	5/32	9.5	22.5	8.5	18.4	35.0	15/32	0.656	565334	CRQST-1/8-5/32-U	1
	0.217	1/4	12.0	25.5	8.5	21.4	42.0	1/2	0.97	565335	CRQST-1/8-1/4-U	1
1/4	0.217	1/4	12.0	30.5	13.0	24.7	42.0	35/64	1.185	565336	CRQST-1/4-1/4-U	1
	0.236	5/16	14.0	30.5	13.0	24.7	43.0	35/64	1.305	565337	CRQST-1/4-5/16-U	1
	0.335	3/8	16.0	32.0	13.0	26.2	51.0	21/32	2.258	565338	CRQST-1/4-3/8-U	1
3/8	0.335	3/8	16.0	32.0	13.0	25.9	51.0	45/64	2.346	565339	CRQST-3/8-3/8-U	1

1) Packaging unit

Push-in T-connector CRQST...T



Dimensions and ordering data								
Tubing O.D.	Nominal size	D5 ∅	H1	L1	Weight/piece	Part No.	Type	PU ¹⁾
D1	[inch]				[oz]			
5/32	0.138	9.5	17.5	35.0	0.564	565350	CRQST-5/32-T-U	1
1/4	0.217	12.0	21.0	42.0	0.988	565351	CRQST-1/4-T-U	1
5/16	0.256	14.0	21.5	43.0	1.157	565352	CRQST-5/16-T-U	1
3/8	0.335	16.0	25.0	50.0	2.046	565353	CRQST-3/8-T-U	1
1/2	0.433	20.0	27.5	55.0	2.469	565354	CRQST-1/2-T-U	1

1) Packaging unit