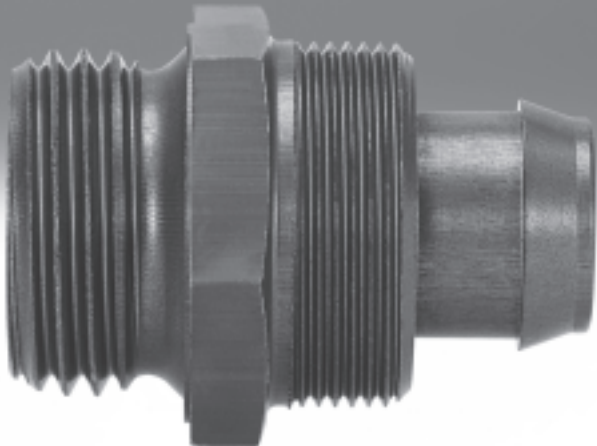


Quick connectors

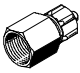


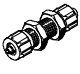

FESTO



Quick connectors

Product range overview

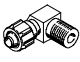

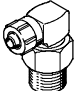

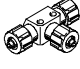

FESTO

Design	Design	Type	Connection D1		Tubing I.D.	→ Page/ Internet
			M thread	G thread		
Straight	Quick connector – Female thread with sealing ring					
		ACK Metal type	–	G $\frac{1}{8}$	3, 4, 6	5
				G $\frac{1}{4}$	4, 6	
				G $\frac{3}{8}$	6, 9	
				G $\frac{1}{2}$	13	
	Quick connector – Male thread with sealing ring					
		CK Metal type	M5	–	3, 4	6
			–	G $\frac{1}{8}$	3, 4, 6	
				G $\frac{1}{4}$	4, 6, 9	
				G $\frac{3}{8}$	6, 9, 13	
			G $\frac{1}{2}$	13		
		CK-...-KU Polymer design	–	G $\frac{1}{8}$	3, 4, 6	6
				G $\frac{1}{4}$	4, 6, 9	
				G $\frac{3}{8}$	6, 9	
	Bulkhead quick connector – Female thread with sealing ring					
		QCK	M5	–	3	7
			–	G $\frac{1}{8}$	4	
				G $\frac{1}{4}$	6	
				G $\frac{3}{8}$	9	
	Bulkhead quick connector					
		SCK Metal type	–	–	3, 4, 6, 9	8
	SCK-...-KU Polymer design					
End cap for plastic tube connectors and barbed connectors						
	CV-PK	–	–	3, 4, 6, 9	9	

Quick connectors

Product range overview



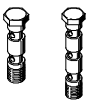

FESTO

Design	Design	Type	Connection D1			Tubing I.D.	→ Page/ Internet	
			M thread	R thread	G thread			
L-shape	Elbow quick connector							
		GCK-...-KU	–	R1/8 R1/4 R3/8	–	4, 6 4, 6 6, 9	10	
	Elbow quick connector, rotatable, with 2 sealing rings							
		LCK Metal type	M5 –	–	– G1/8 G1/4 G3/8 G1/2	3, 4 3, 4, 6 4, 6, 9 6, 9, 13 13	11	
		LCK-...-KU Polymer design	–	–	G1/8 G1/4	4, 6 4, 6	11	
	Elbow quick connector with sealing ring (rotatable 360°)							
		LCKN	M5 –	–	– G1/8 G1/4 G3/8	3, 4 3, 4, 6 4, 6 6	12	
	T-shape	T quick connector, rotatable, with 2 sealing rings						
			TCK Metal type	M5 –	–	– G1/8 G1/4 G3/8 G1/2	3, 4 3, 4, 6 4, 6 6, 9 13	13
			TCK-...-KU Polymer design	–	–	G1/8 G1/4	4, 6 4, 6	13
T-distributor								
		FCK-...-KU	–	–	–	3 4 6 9	14	
Union nut for CK tube connector								
	MCK Metal type	–	–	–	3, 4, 6, 9, 13	15		
	MCK-...-KU Polymer design	–	–	–	3, 4, 6, 9	15		

Quick connectors

Product range overview

FESTO

Design	Design	Type	Connection D1		Tubing I.D.	→ Page/ Internet
			M thread	G thread		
Multiple distributor	Combination hollow bolt VT with ring piece LK					
		VT-...-2 for 2 ring pieces	M5	G $\frac{1}{8}$, G $\frac{1}{4}$, G $\frac{3}{8}$	–	16
		VT-...-3 for 3 ring pieces	M5	G $\frac{1}{8}$, G $\frac{1}{4}$, G $\frac{3}{8}$	–	16
		LK Metal type	–	–	3, 4, 6	16
		LK-...-KU Polymer design	–	–	4, 6	16
	Combination hollow bolt VT with ring piece TK					
		VT-...-2 for 2 ring pieces	M5	G $\frac{1}{8}$, G $\frac{1}{4}$, G $\frac{3}{8}$	–	17
		VT-...-3 for 3 ring pieces	M5	G $\frac{1}{8}$, G $\frac{1}{4}$, G $\frac{3}{8}$	–	17
		TK Metal type	–	–	3, 4, 6	17
		TK-...-KU Polymer design	–	–	4, 6	17

Quick connectors ACK

Technical data

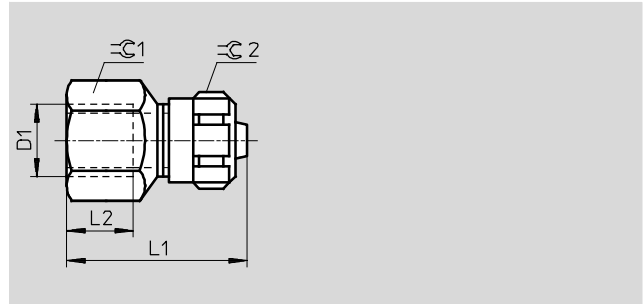
Quick connector ACK

Female thread with sealing ring

Material:

Blue anodised aluminium

Free of copper and PTFE



Dimensions and ordering data									
Connection	Nominal size	Tubing I.D.	L1	L2	C1	C2	Part No.	Type	PU*
D1	[mm]								
G ¹ / ₈	2.4	3	23.9	9	13	8	5664	ACK- ¹ / ₈ -PK-3	10
	3.4	4	27	9	13	12	3714	ACK- ¹ / ₈ -PK-4	10
	5.3	6	27	9	13	14	7842	ACK- ¹ / ₈ -PK-6	10
G ¹ / ₄	3.4	4	30	12	17	12	3713	ACK- ¹ / ₄ -PK-4	10
	5.3	6	30	12	17	14	3712	ACK- ¹ / ₄ -PK-6	10
G ³ / ₈	5.3	6	31	12	19	14	3711	ACK- ³ / ₈ -PK-6	10
	8	9	37.4	15	19	19	3710	ACK- ³ / ₈ -PK-9	10
G ¹ / ₂	12	13	40.2	15	27	24	4099	ACK- ¹ / ₂ -PK-13	1

* Packaging unit quantity

Quick connectors CK

Technical data

FESTO

Quick connector CK

Male thread with sealing ring

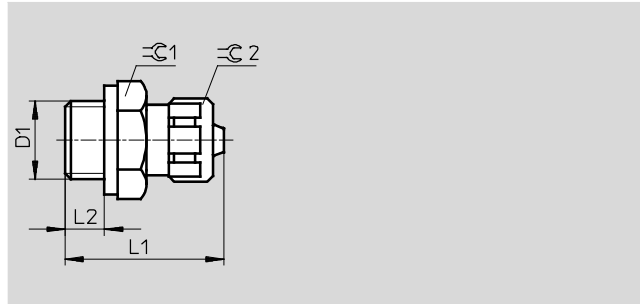
Material:

M thread: Steel, aluminium

G thread: Blue anodised aluminium

Free of copper and PTFE

Certification: Germanischer Lloyd



Quick connector CK-...-KU

Male thread with moulded-on sealing ring

ring

Material:

Polyacetate

Free of copper and PTFE

Conforms to RoHS

Pressure range: 0 ... 10 bar

Temperature range: -10 ... +60 °C

Certification: Germanischer Lloyd

Dimensions and ordering data									
Connection	Nominal size	Tubing I.D.	L1	L2	⌀C	⌀C1	Part No.	Type	PU*
D1	[mm]								
Metal design									
M5	2.0	3	19.3	3.8	7	8	3561	CK-M5-PK-3	10
	2.9	4	21.5	3.8	10	-	3562	CK-M5-PK-4	10
G ¹ / ₈	2.0	3	21.6	4.9	13	8	3563	CK- ¹ / ₈ -PK-3	10
	2.9	4	24.7	4.9	13	12	2027	CK- ¹ / ₈ -PK-4	10
	4.9	6	24.8	4.9	13	14	2028	CK- ¹ / ₈ -PK-6	10
G ¹ / ₄	2.9	4	27.2	5.8	17	12	2029	CK- ¹ / ₄ -PK-4	10
	4.9	6	27.3	5.8	17	14	2030	CK- ¹ / ₄ -PK-6	10
	8	9	30.6	5.8	17	19	2031	CK- ¹ / ₄ -PK-9	10
G ³ / ₈	4.9	6	28.3	6.8	19	14	2032	CK- ³ / ₈ -PK-6	10
	8	9	31.6	6.8	19	19	2033	CK- ³ / ₈ -PK-9	10
	11.7	13	33.2	6.8	24	24	4097	CK- ³ / ₈ -PK-13	10
G ¹ / ₂	11.7	13	34.7	8.5	24	24	4098	CK- ¹ / ₂ -PK-13	1
Polymer design									
G ¹ / ₈	2.4	3	22.2	6.5	13	8	6253	CK- ¹ / ₈ -PK-3-KU	10
	3.4	4	25.3	6.5	13	12	6254	CK- ¹ / ₈ -PK-4-KU	10
	4.4	6	25.4	6.5	13	14	6255	CK- ¹ / ₈ -PK-6-KU	10
G ¹ / ₄	3.4	4	28.5	8.5	17	12	6256	CK- ¹ / ₄ -PK-4-KU	10
	5.3	6	28.6	8.5	17	14	6257	CK- ¹ / ₄ -PK-6-KU	10
	7.3	9	31.9	8.5	17	19	6258	CK- ¹ / ₄ -PK-9-KU	10
G ³ / ₈	5.3	6	31	10.5	19	14	6460	CK- ³ / ₈ -PK-6-KU	10
	8	9	34.5	10.5	19	19	6468	CK- ³ / ₈ -PK-9-KU	10

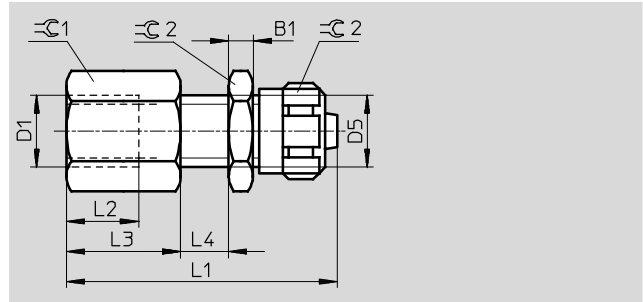
* Packaging unit quantity

Bulkhead quick connectors QCK

Technical data

Bulkhead quick connector QCK
Female thread with sealing ring

Material:
Blue anodised aluminium/steel
Free of copper and PTFE



Dimensions and ordering data														
Connection	Nominal size	Tubing I.D.	B1	D5	L1	L2	L3	L4	∅1	∅2	∅3	Part No.	Type	PU*
D1	[mm]							max.						
M5	2.4	3	3.2	M6x0.75	31	6	10	8	7	8	10	9424	QCK-M5-PK-3-B	10
G ¹ / ₈	3.4	4	3.5	M10x1	40	8	13.5	10	13	12	13	9425	QCK- ¹ / ₈ -PK-4-B	10
G ¹ / ₄	5.3	6	4	M12x1	45	12	18	10	17	14	17	9426	QCK- ¹ / ₄ -PK-6-B	10
G ³ / ₈	8	9	5	M16x1	50	12	18.6	10	19	19	22	9427	QCK- ³ / ₈ -PK-9-B	1

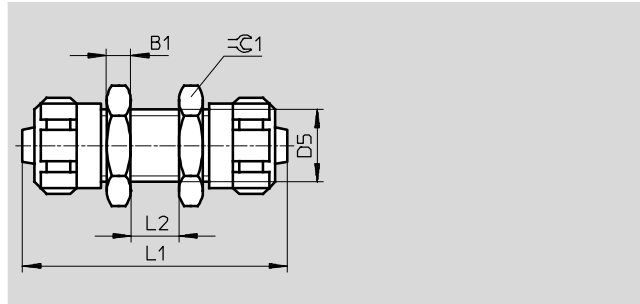
* Packaging unit quantity

Bulkhead quick connectors SCK

Technical data

Bulkhead quick connector SCK

Material:
Blue anodised aluminium/steel
Free of copper and PTFE



Bulkhead quick connector SCK-...-KU with moulded-on sealing ring

Material:
Polyacetate
Free of copper and PTFE
Conforms to RoHS

Pressure range: 0 ... 10 bar
Temperature range: -10 ... +60 °C

Dimensions and ordering data									
Nominal size	Tubing I.D.	B1	D5	L1	L2 max.	⌀C1	Part No.	Type	PU*
[mm]									
Aluminium design									
2.4	3	3.2	M6x0.75	34	8	10	9420	SCK-PK-3	10
3.4	4	3.5	M10x1	43	10	13	9421	SCK-PK-4	10
5.3	6	4	M12x1	44	10	17	9422	SCK-PK-6	10
8	9	5	M16x1	53	10	22	9423	SCK-PK-9	1
Polymer design									
2.4	3	5	M10x1 ¹⁾	41	10	13	9387	SCK-PK-3-KU	10
3.4	4	5	M10x1	46		13	9388	SCK-PK-4-KU	10
5.3	6	6	M12x1	48		17	9389	SCK-PK-6-KU	10
8	9	7	M16x1	57		22	9390	SCK-PK-9-KU	1

* Packaging unit quantity

1) Installation diameter varies from aluminium version

End caps CV

Technical data

End cap CV

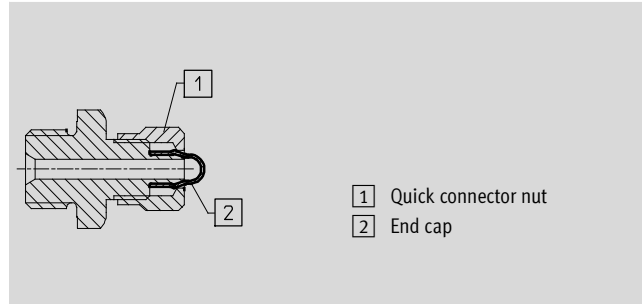
for sealing barbed fittings and connectors for polymer tubing

Material:

Polyurethane

Free of copper and PTFE

Conforms to RoHS



- 1 Quick connector nut
- 2 End cap

Dimensions and ordering data				
Tubing I.D.	Weight/piece [g]	Part No.	Type	PU*
3	0.001	6213	CV-PK-3-B	10
4	0.001	6214	CV-PK-4-B	10
6	0.001	6215	CV-PK-6-B	10
9	0.002	6216	CV-PK-9-B	10

Operating conditions (permissible static pressure)								
Type	CV-PK-3-B ... CV-PK-6-B						CV-PK-9-B	
Operating pressure [bar]	10	10	8	7	6	6	4	
Ambient temperature [°C]	-35	+20	+40	+60	+80	+60	+80	

* Packaging unit quantity

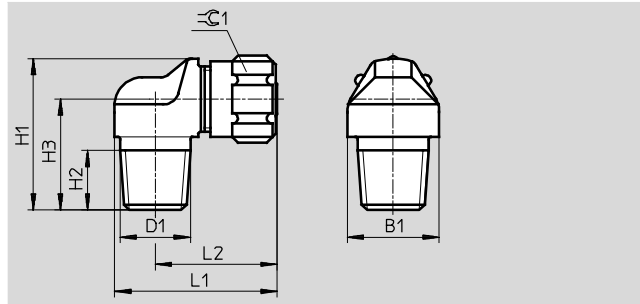
Elbow quick connectors GCK

Technical data

Elbow quick connector
GCK-...-KU

Material:
Polyacetate
Free of copper and PTFE
Conforms to RoHS

Pressure range: 0 ... 10 bar
Temperature range: -10 ... +60 °C



Dimensions and ordering data												
Connection D1	Nominal size [mm]	Tubing I.D.	B1	H1	H2	H3	L1	L2	$\sqrt{\text{C1}}$	Part No.	Type	PU*
R $\frac{1}{8}$	2.9	4	13	22.5	8	16.5	26.5	20.5	20.5	6267	GCK-$\frac{1}{8}$-PK-4-KU	10
	4.9	6	17	24.5	8	17.5	28.5	21.5	21.5	6268	GCK-$\frac{1}{8}$-PK-6-KU	10
R $\frac{1}{4}$	2.9	4	17	25.5	11	19.5	30	22.5	22.5	6269	GCK-$\frac{1}{4}$-PK-4-KU	10
	4.9	6	17	27.5	11	20.5	30	22.5	22.5	6270	GCK-$\frac{1}{4}$-PK-6-KU	10
R $\frac{3}{8}$	4.9	6	19	28.5	10.5	21	34	24.5	24.5	6271	GCK-$\frac{3}{8}$-PK-6-KU	10
	8	9	19	33.5	10.5	23.5	37.2	27.7	27.7	6272	GCK-$\frac{3}{8}$-PK-9-KU	10

* Packaging unit quantity

L quick connectors LCK

Technical data

L quick connector LCK
rotatable with 2 sealing rings

Materials:
Housing
LCK: Die-cast zinc
LCK-...-KU: POM

L quick connector LCK-...-KU
rotatable with moulded-on sealing edge

Note on materials:
RoHS-compliant
Free of copper and PTFE



General technical data		
Type	LCK	LCK-...-KU
Mounting position	Any	
Type of seal on threaded plug	Sealing ring	Sealing edge

Operating and environmental conditions		
Operating pressure [bar]	0 ... +16	
Ambient temperature [°C]	-10 ... +60	

Dimensions Download CAD data → www.festo.com



Ordering data													
Pneumatic connection D1		Nominal size [mm]	B1	H1	H2	L1	L2	L3	⌀C1	⌀C2	Part No.	Type	PU ²⁾
Die-cast zinc design													
M5	PK-3 ¹⁾	2.4	10	21.1	16.1	17.2	3.8	5.2	7	8	4468	LCK-M5-PK-3	10
	PK-4 ¹⁾	2.4	11	21.1	16.1	18	3.8	5.6	7	8	4562	LCK-M5-PK-4	10
G ¹ / ₈	PK-3 ¹⁾	2	16	27.1	19.1	21.1	4.9	6.1	13	8	4136	LCK- ¹ / ₈ -PK-3	10
	PK-4 ¹⁾	2.9	16	30.2	22.2	27.1	4.9	9.1	13	12	4469	LCK- ¹ / ₈ -PK-4	10
	PK-6 ¹⁾	4.9	16	30.3	22.3	27.1	4.9	9.1	13	14	4470	LCK- ¹ / ₈ -PK-6	10
G ¹ / ₄	PK-4 ¹⁾	2.9	20	34.2	24.2	28.1	5.7	9.2	17	12	4471	LCK- ¹ / ₄ -PK-4	10
	PK-6 ¹⁾	4.9	20	34.3	24.3	28.1	5.5	9.3	17	14	4472	LCK- ¹ / ₄ -PK-6	10
	PK-9 ¹⁾	8	20	37.6	27.6	33.3	5.7	11.8	17	19	11452	LCK- ¹ / ₄ -PK-9	10
G ³ / ₈	PK-6 ¹⁾	4.9	25	39.3	26.8	30.3	6.7	9.3	22	14	4473	LCK- ³ / ₈ -PK-6	10
	PK-9 ¹⁾	8	25	42.6	30.1	35.3	6.7	11.8	22	19	4474	LCK- ³ / ₈ -PK-9	10
G ¹ / ₂	PK-13 ¹⁾	11.7	30	49.2	34.2	46.6	7.9	16.85	27	24	4100	LCK- ¹ / ₂ -PK-13	1
Polymer design													
G ¹ / ₈	PK-4 ¹⁾	3.4	16	30.5	22.5	27.5	7.1	8.25	13	12	6259	LCK- ¹ / ₈ -PK-4-KU	10
	PK-6 ¹⁾	5.3	16	30.5	22.5	27.5	7.1	8.25	13	14	6260	LCK- ¹ / ₈ -PK-6-KU	10
G ¹ / ₄	PK-4 ¹⁾	3.4	20	34.5	24.5	28.5	8.1	8.25	17	12	6261	LCK- ¹ / ₄ -PK-4-KU	10
	PK-6 ¹⁾	5.3	20	34.5	24.5	28.5	8.1	8.25	17	14	6262	LCK- ¹ / ₄ -PK-6-KU	10

1) With union nut
2) Packaging unit quantity

L quick connectors LCKN

Technical data

FESTO

L quick connector LCKN
rotatable with sealing ring OL

Materials:
Housing: Die-cast zinc

Note on materials:
RoHS-compliant



General technical data	
Mounting position	Any
Type of seal on threaded plug	Sealing ring

Operating and environmental conditions	
Operating pressure [bar]	-0.9 ... +16
Operating medium	Compressed air in accordance with ISO 8573-1:2010 [7:-:-]
Note on operating/pilot medium	Operation with lubricated medium possible (in which case lubricated operation will always be required)
Ambient temperature [°C]	-20 ... +80
Corrosion resistance class CRC ¹⁾	2

1) Corrosion resistance class 2 according to Festo standard 940 070
Components subject to moderate corrosion stress. Externally visible parts with primarily decorative surface requirements which are in direct contact with a normal industrial environment or media such as coolants or lubricating agents.

Dimensions Download CAD data → www.festo.com

- Note
Note: Cannot be used as a rotary distributor.

Ordering data												
Pneumatic connection		Nominal size [mm]	H1	H2	H3	L1	L2	≙C1	≙C2	Part No.	Type	PU ²⁾
D1												
M5	PK-3 ¹⁾	1.7	22.2	3.55	15.15	20.1	16.1	7	8	164995	LCKN-M5-PK-3	10
	PK-4 ¹⁾	2.6	24.3	3.55	15.75	23.2	19.2	7	-	164996	LCKN-M5-PK-4	10
G ¹ / ₈	PK-3 ¹⁾	1.7	24.6	4.7	15.9	25.4	18.9	13	8	164997	LCKN-1/8-PK-3	10
	PK-4 ¹⁾	2.6	27	4.7	16.3	28.5	22	13	12	164998	LCKN-1/8-PK-4	10
	PK-6 ¹⁾	4.6	30.3	4.7	18.6	28.6	22.1	13	14	164999	LCKN-1/8-PK-6	10
G ¹ / ₄	PK-4 ¹⁾	2.6	29.5	5.8	17.7	28.5	22	17	12	165000	LCKN-1/4-PK-4	10
	PK-6 ¹⁾	4.6	32.8	5.8	20.0	28.6	22.1	17	14	165001	LCKN-1/4-PK-6	10
G ³ / ₈	PK-6 ¹⁾	4.6	33.8	6.0	20.8	28.6	22.1	19	14	165002	LCKN-3/8-PK-6	1

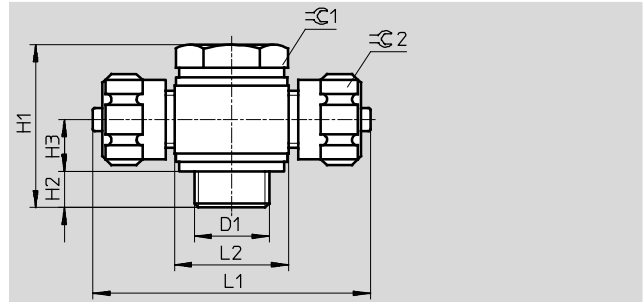
1) With union nut
2) Packaging unit quantity

T quick connectors TCK

Technical data

T quick connector TCK rotatable

Material:
Die-cast zinc with 2 sealing rings
Thread G $\frac{3}{8}$ and G $\frac{1}{2}$ aluminium, blue
anodised
Free of copper and PTFE



T quick connector TCK-...-KU rotatable with moulded-on sealing ring

Material:
Polyacetate
Free of copper and PTFE

Pressure range: 0 ... 10 bar
Temperature range: -10 ... +60 °C

Dimensions and ordering data												
Connection D1	Nominal size [mm]	Tubing I.D.	H1	H2	H3	L1	L2	⌀C1	⌀C2	Part No.	Type	PU*
Die-cast zinc design												
M5	2	3	17.2	3.8	5.2	32.2	10	7	8	4484	TCK-M5-PK-3	10
	2	4	18	3.8	5.6	39.4	11	7	8	4563	TCK-M5-PK-4	10
G $\frac{3}{8}$	2	3	21.1	4.9	6.1	38.2	16	13	8	4137	TCK- $\frac{3}{8}$ -PK-3	10
	2.9	4	27.1	4.9	9.1	44.4	16	13	12	4485	TCK- $\frac{3}{8}$ -PK-4	10
	4.9	6	27.1	4.9	9.1	44.6	16	13	14	4486	TCK- $\frac{3}{8}$ -PK-6	10
G $\frac{1}{4}$	2.9	4	28.1	5.7	9.2	48.4	20	17	12	4487	TCK- $\frac{1}{4}$ -PK-4	10
	4.9	6	28.1	5.5	9.3	48.6	20	17	14	4488	TCK- $\frac{1}{4}$ -PK-6	10
Aluminium design												
G $\frac{3}{8}$	4.9	6	30.3	6.7	9.3	53.6	25	22	14	4489	TCK- $\frac{3}{8}$ -PK-6	1
	8	9	35.3	6.7	11.8	60.2	25	22	14	4490	TCK- $\frac{3}{8}$ -PK-9	1
G $\frac{1}{2}$	11.7	13	46.6	7.9	16.9	68.4	30	27	24	4101	TCK- $\frac{1}{2}$ -PK-13	1
Polymer design												
G $\frac{3}{8}$	3.4	4	27.5	7.1	8.25	45	16	13	12	6263	TCK- $\frac{3}{8}$ -PK-4-KU	10
	5.3	6	27.5	7.1	8.25	45	16	13	14	6264	TCK- $\frac{3}{8}$ -PK-6-KU	10
G $\frac{1}{4}$	3.4	4	28.5	8.1	8.25	49	20	17	12	6265	TCK- $\frac{1}{4}$ -PK-4-KU	10
	5.3	6	28.5	8.1	8.25	49	20	17	14	6266	TCK- $\frac{1}{4}$ -PK-6-KU	10

* Packaging unit quantity

T quick connectors FCK

Technical data

FESTO

T-distributor FCK-...-KU

Material:

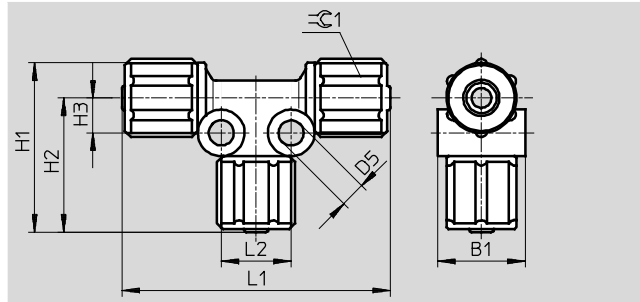
Polymer

Free of copper and PTFE

Conforms to RoHS

Pressure range: 0 ... 10 bar

Temperature range: -10 ... +60 °C



Dimensions and ordering data												
Tubing I.D.	Nominal size [mm]	B1	D5	H1	H2	H3	L1	L2	$\varnothing 1$	Part No.	Type	PU*
3	2.4	11	4.3	23.8	19.8	5	39.6	10	8	6273	FCK-3-PK-3-KU	10
4	3.4	15	4.3	30.2	24.2	6	48.4	12	12	6274	FCK-3-PK-4-KU	10
6	5.3	18	4.3	31.2	24.2	6	48.4	12	14	6275	FCK-3-PK-6-KU	10
9	8	22	4.3	38.3	28.8	7.1	56.4	13	19	6276	FCK-3-PK-9-KU	10

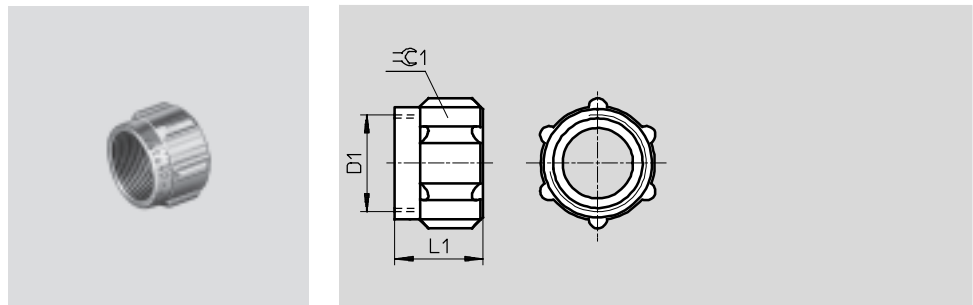
* Packaging unit quantity

Union nuts MCK

Technical data

Union nut MCK
for tube connectors

Material:
Blue anodised aluminium
Free of copper and PTFE
Conforms to RoHS



Union nut MCK-...-KU
for tube connectors

Material:
Polymer design
Free of copper and PTFE
Conforms to RoHS

Dimensions and ordering data						
Tubing I.D.	D1	L1	≈C1	Part No.	Type	PU*
Aluminium design						
3	M6x0.75	8.5	8	205254	MCK-PK-3	1
4	M10x1	11	12	2965	MCK-PK-4 ¹⁾	1
4	M8x1	9.5	–	205257	MCK-PK-4-R ²⁾	1
6	M12x1	11	14	2966	MCK-PK-6	1
9	M16x1	14.4	19	2967	MCK-PK-9	1
13	M22x1	18	24	206504	MCK-PK-13	1
Polymer design						
3	M6x0.75	9.5	8	211289	MCK-PK-3-KU	1
4	M10x1	12.5	12	211291	MCK-PK-4-KU ¹⁾	1
6	M12x1	12.5	14	211292	MCK-PK-6-KU	1
9	M16x1	16	19	211293	MCK-PK-9-KU	1

* Packaging unit quantity

- 1) except for connectors CK-M5-PK-4, LCK-M5-PK-4, TCK-M5-PK-4
- 2) for connectors CK-M5-PK-4, LCK-M5-PK-4, TCK-M5-PK-4

Multiple distributors

Technical data

FESTO

Hollow bolt VT with ring piece LK
(one outlet connection)

Certification:
Ring piece LK: Germanischer Lloyd

Materials:
Hollow bolt: Galvanised steel
Ring piece LK: Die-cast zinc
Ring piece LK-...-KU: Polymer

Note on materials:
Conforms to RoHS



Ordering data						Dimensions → 18	
Hollow bolt				Ring piece			
Pneumatic connection	No. of ring pieces	Part No.	Type	Pneumatic connection	Part No.	Type	PU*
Die-cast zinc design							
M5	2	206145	VT-M5-2 ³⁾	PK-3 with union nut	4475	LK-M5-PK-3 ¹⁾	10
	3	4594	VT-M5-3 ³⁾		4597	LK-1/8-PK-3 ¹⁾	10
G1/8	2	4593	VT-1/8-2-PK-3 ³⁾	PK-3 with union nut	4476	LK-1/8-PK-4 ¹⁾	10
	3	4595	VT-1/8-3-PK-3 ³⁾		4477	LK-1/8-PK-6 ¹⁾	10
G1/8	2	206146	VT-1/8-2 ³⁾	PK-4 with union nut	4478	LK-1/4-PK-4 ¹⁾	10
	3	4596	VT-1/8-3 ³⁾		4479	LK-1/4-PK-6 ¹⁾	10
G1/8	2	206146	VT-1/8-2 ³⁾	PK-6 with union nut	4480	LK-3/8-PK-6 ¹⁾	1
	3	4596	VT-1/8-3 ³⁾				
G1/4	2	206147	VT-1/4-2 ³⁾	PK-4 with union nut			
	3	2335	VT-1/4-3 ³⁾				
G1/4	2	206147	VT-1/4-2 ³⁾	PK-6 with union nut			
	3	2335	VT-1/4-3 ³⁾				
G3/8	2	206148	VT-3/8-2 ³⁾	PK-6 with union nut			
	3	2336	VT-3/8-3 ³⁾				
Polymer design							
G1/8	2	206146	VT-1/8-2 ³⁾	PK-4 with union nut	6280	LK-1/8-PK-4-KU ^{2) 3)}	10
	3	4596	VT-1/8-3 ³⁾		6281	LK-1/8-PK-6-KU ^{2) 3)}	10
G1/8	2	206146	VT-1/8-2 ³⁾	PK-6 with union nut	6282	LK-1/4-PK-4-KU ^{2) 3)}	10
	3	4596	VT-1/8-3 ³⁾		6283	LK-1/4-PK-6-KU ^{2) 3)}	10
G1/4	2	206147	VT-1/4-2 ³⁾	PK-4 with union nut			
	3	2335	VT-1/4-3 ³⁾				
G1/4	2	206147	VT-1/4-2 ³⁾	PK-6 with union nut			
	3	2335	VT-1/4-3 ³⁾				

* Packaging unit quantity

1) With union nut MCK and 2 sealing rings OK

2) With union nut MCK, with moulded-on sealing ring, pressure range 0 ... 10 bar, temperature range -10 ... +60 °C

3) Free of copper and PTFE

Multiple distributors

Technical data

FESTO

Hollow bolt VT with ring piece TK
(2 outlet connections)

Materials:
Hollow bolt: Galvanised steel
Ring piece TK: Die-cast zinc
Ring piece TK-...-KU: Polymer

Note on materials:
Conforms to RoHS



VT



TK

Operating and environmental conditions	
Operating pressure [bar]	0 ... +10
Operating medium	Compressed air in accordance with ISO 8573-1:2010 [7:--:-]
Note on operating/pilot medium	Operation with lubricated medium possible (in which case lubricated operation will always be required)
Certification	Ring piece TK: Germanischer Lloyd

Ordering data				Dimensions → 18			
Hollow bolt				Ring piece			
Pneumatic connection	No. of ring pieces	Part No.	Type	Pneumatic connection	Part No.	Type	PU*
Die-cast zinc design							
M5	2	206145	VT-M5-2 ³⁾	PK-3 with union nut	4491	TK-M5-PK-3 ¹⁾	1
	3	4594	VT-M5-3 ³⁾				
G1/8	2	4593	VT-1/8-2-PK-3 ³⁾	PK-3 with union nut	4598	TK-1/8-PK-3 ¹⁾	1
	3	4595	VT-1/8-3-PK-3 ³⁾				
	2	206146	VT-1/8-2 ³⁾	PK-4 with union nut	4492	TK-1/8-PK-4 ¹⁾	1
	3	4596	VT-1/8-3 ³⁾				
	2	206146	VT-1/8-2 ³⁾	PK-6 with union nut	4493	TK-1/8-PK-6 ¹⁾	1
	3	4596	VT-1/8-3 ³⁾				
G1/4	2	206147	VT-1/4-2 ³⁾	PK-4 with union nut	4494	TK-1/4-PK-4 ¹⁾	1
	3	2335	VT-1/4-3 ³⁾				
	2	206147	VT-1/4-2 ³⁾	PK-6 with union nut	4495	TK-1/4-PK-6 ¹⁾	1
	3	2335	VT-1/4-3 ³⁾				
G3/8	2	206148	VT-3/8-2 ³⁾	PK-6 with union nut	4496	TK-3/8-PK-6 ¹⁾	1
	3	2336	VT-3/8-3 ³⁾				
Polymer design							
G1/8	2	206146	VT-1/8-2 ³⁾	PK-4 with union nut	6284	TK-1/8-PK-4-KU ^{2) 3)}	1
	3	4596	VT-1/8-3 ³⁾				
	2	206146	VT-1/8-2 ³⁾	PK-6 with union nut	6285	TK-1/8-PK-6-KU ^{2) 3)}	1
	3	4596	VT-1/8-3 ³⁾				
G1/4	2	206147	VT-1/4-2 ³⁾	PK-4 with union nut	6286	TK-1/4-PK-4-KU ^{2) 3)}	1
	3	2335	VT-1/4-3 ³⁾				
	2	206147	VT-1/4-2 ³⁾	PK-6 with union nut	6287	TK-1/4-PK-6-KU ^{2) 3)}	1
	3	2335	VT-1/4-3 ³⁾				

* Packaging unit quantity

1) With 2 union nuts MCK and 2 sealing rings OK

2) With 2 union nuts MCK, with moulded-on sealing ring, pressure range 0 ... 10 bar, temperature range -10 ... +60 °C

3) Free of copper and PTFE

Multiple distributors

Technical data

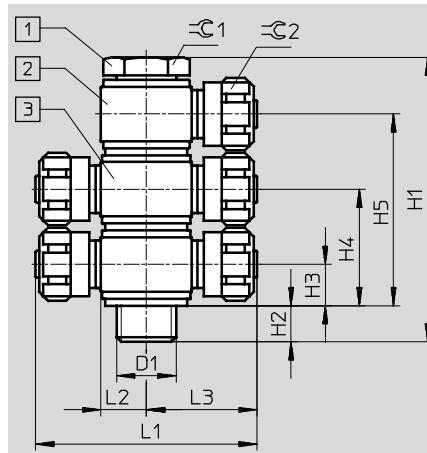
Multiple distributor

consisting of:

- Hollow bolt VT and ring piece LK
→ 16

or

- Hollow bolt VT and ring piece TK
→ 17



- 1 Hollow bolt VT
- 2 Ring piece LK
- 3 Ring piece TK

Dimensions														
Connection D1	Hollow bolt Type	Ring piece Type	H1	H2	H3	H4	H5	L1	L2	L3	∅C1	∅C2		
M5	VT-M5-2	LK-M5-PK-3	27.3	4	5.2	15.1	-	-	5	16.1	7	8		
		TK-M5-PK-3						32.2	-					
	VT-M5-3	LK-M5-PK-3	37.1	3.9	5.2	15.1	25	-	5	16.1	7	8		
		TK-M5-PK-3						32.2	-					
G3/8	VT-1/8-2-PK-3	LK-1/8-PK-3	32.7	5.9	6.1	16.7	-	-	8	19.1	13	8		
		TK-1/8-PK-3						38.2	-					
	VT-1/8-3-PK-3	LK-1/8-PK-3	43.3	5.9	6.1	16.7	27.3	-	8	19.1	13	8		
		TK-1/8-PK-3						38.2	-					
	VT-1/8-2	LK-1/8-PK-4	44.8	6	9.1	25.7	-	-	8	22.2	13	12		
								TK-1/8-PK-4	44.4				-	
		LK-1/8-PK-6						-	8	22.3			14	
								TK-1/8-PK-6	44.6					-
	VT-1/8-3	LK-1/8-PK-4	61.2	5.8	9.1	25.7	42.3	-	8	22.2	13	12		
								TK-1/8-PK-4	44.4				-	
		LK-1/8-PK-6						-	8	22.3			14	
								TK-1/8-PK-6	44.6					-
G1/4	VT-1/4-2	LK-1/4-PK-4	45.2	6.6	9.2	25.4	-	-	10	24.2	17	12		
				TK-1/4-PK-4	48.4	-								
		LK-1/4-PK-6		6.2	9.3	25.7		-	10	24.3			14	
				TK-1/4-PK-6	48.6	-								
	VT-1/4-3	LK-1/4-PK-4	62.5	6.7	9.2	25.4	41.6	-	10	24.2	17	12		
				TK-1/4-PK-4	48.4	-								
		LK-1/4-PK-6		6.1	9.3	25.7		42.1	-	10			24.3	14
				TK-1/4-PK-6	48.6	-								
G3/8	VT-3/8-2	LK-3/8-PK-6	47.5	7.5	9.3	25.7	-	-	12.5	26.8	22	14		
		TK-3/8-PK-6						53.6	-					
	VT-3/8-3	LK-3/8-PK-6	63.9	7.5	9.3	25.7	42.1	-	12.5	26.8	22	14		
		TK-3/8-PK-6						53.6	-					