

Compact cylinders CDC, ISO 21287, Clean Design



Compact cylinders CDC, ISO 21287, Clean Design

Key features

FESTO

Design

- With the CDC (Clean Design Compact) cylinder series, the ADN modular system has been expanded to include an easy to clean compact cylinder variant
- It is based on ISO 21287 for compact cylinders and, like the compact cylinder ADN, features short strokes and a compact design
- The compact cylinder CDC is designed as a double-acting pneumatic cylinder with piston, piston rod and profile barrel

Easy to clean

- Clean Design means smooth surfaces without slots and edges, which means fewer places where dirt can collect
- For hygiene reasons, the threads on the cylinder caps should be sealed with suitable blanking screws
- Resistant to conventional cleaning agents
- Increased corrosion protection

Easy to assemble

- Comprehensive range of mounting accessories for just about every type of installation
- Contactless position sensing via proximity sensors

Versatile

- The variants can be configured according to individual needs thanks to the modular product system
- Greater flexibility thanks to the wide range of variants

Variants

CDC-...

- Ø 20, 25 mm
- Without position sensing

CDC-...-A...-R

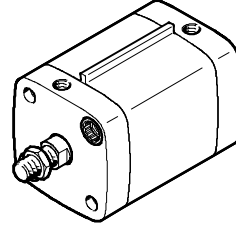
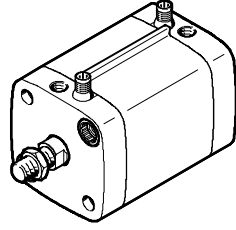
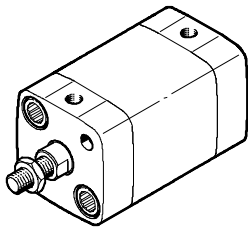
- Ø 32 ... 80 mm
- With position sensing integrated in the end positions

CDC-...-A-R

- Ø 32 ... 80 mm
- With sensor mounting rail for external position sensing

 Note

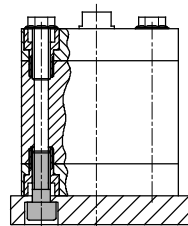
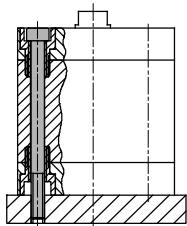
A combination of integrated and external position sensing is possible.



Mounting options

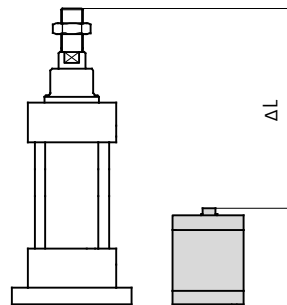
With through screws

Direct mounting



Size

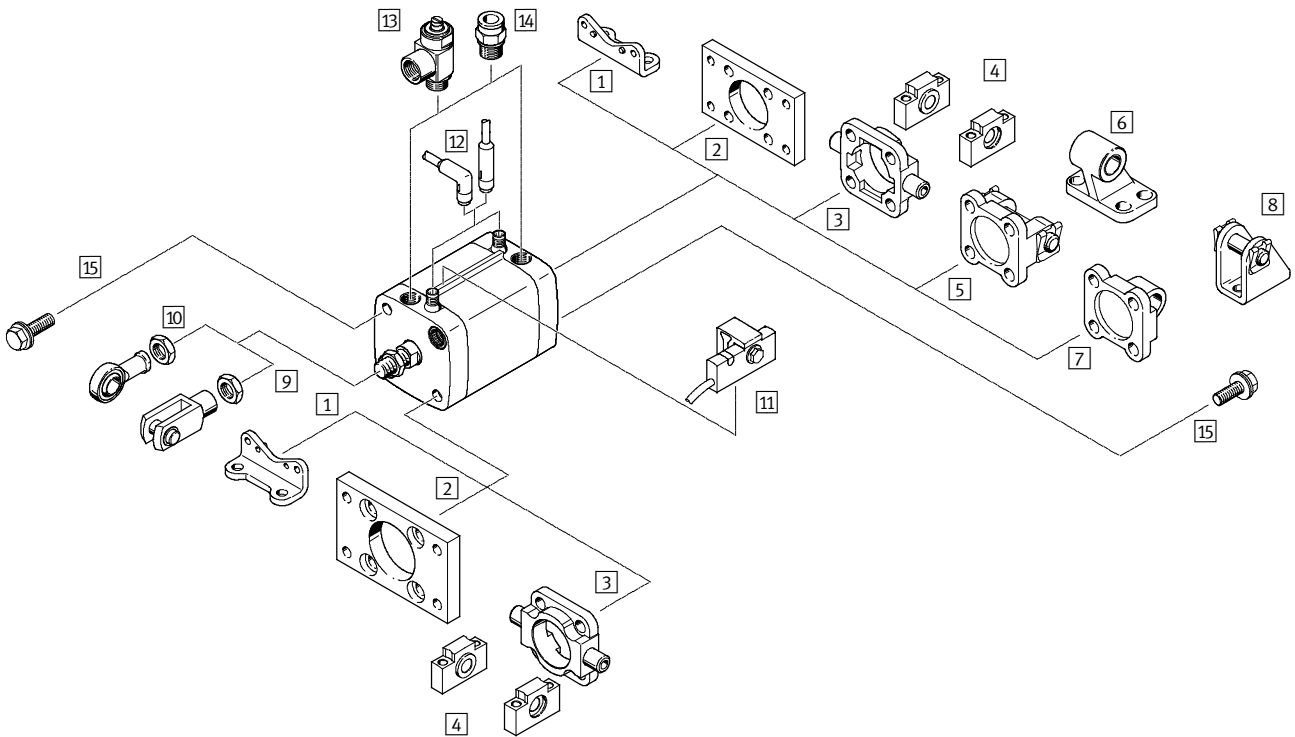
Space savings of up to 50% compared with cylinders to standard ISO 1552



Compact cylinders CDC, ISO 21287, Clean Design

Peripherals overview

FESTO



Mounting attachments and accessories		
	Brief description	→ Page/Internet
1	Foot mounting HNA-...-R3	18
2	Flange mounting CRFNG	19
3	Trunnion flange CRZNG	20
4	Trunnion supports CRLNZG	20
5	Swivel flange SNCB- ... -R3	21
6	Clevis foot mounting CRLNG	21
7	Swivel flange SNCL- ... -R3	22
8	Clevis foot mounting CRLBN	22
9	Rod clevis CRSG	25
10	Rod eye CRSGS	25
11	Proximity sensor SMT-C1	23
12	Cable with socket SIM-K- ... -CDN	23
13	One-way flow control valve CRGRLA	25
14	Push-in fittings NPQH/NPQH-L/CRQS/CRQSL	24
15	Blanking screws DAMD-P- ...	25

Compact cylinders CDC, ISO 21287, Clean Design

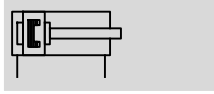
Type codes

		CDC	-	32	-	50	-	A	-	P	-	AIB	-	SME	-	R	-	K2	
Type																			
Double-acting																			
CDC	Compact cylinder, Clean Design																		
Piston Ø [mm]																			
Stroke [mm]																			
Piston rod thread																			
A	Male thread																		
I	Female thread																		
Cushioning																			
P	Flexible cushioning rings/pads at both ends																		
Position sensing																			
A	For proximity sensor																		
AIB	At both ends, integrated																		
AIV	Front, integrated																		
AIH	Rear, integrated																		
Proximity sensor																			
SME	Contacting (magnetic reed)																		
SMT	Contactless (magneto-resistive)																		
Sensor mounting rail																			
R	For external position sensing (only with Ø 32 ... 80 mm)																		
Variant																			
S2	Through piston rod																		
K2	Extended male piston rod thread																		
K5	Piston rod with special thread																		
K8	Extended piston rod																		
S6	Heat-resistant seals for temperatures up to 120 °C																		

Compact cylinders CDC, ISO 21287, Clean Design

Technical data

Function



- - Diameter
20 ... 80 mm

- - Stroke length
1 ... 500 mm

- - www.festo.com

Variants



S2



K2



K5



K8



S6



CDC-...-A-P



CDC-...-A-P-R

General technical data							
Piston Ø	20	25	32	40	50	63	80
Pneumatic connection	M5	M5	G $\frac{1}{8}$	G $\frac{1}{8}$	G $\frac{1}{8}$	G $\frac{1}{8}$	G $\frac{1}{8}$
Piston rod thread	M8	M8	M10x1.25	M10x1.25	M12x1.25	M12x1.25	M16x1.5
Design	Piston						
	Piston rod						
	Cylinder barrel						
Cushioning	Flexible cushioning rings/pads at both ends						
Position sensing	A	For proximity sensor					
	AIB	At both ends, built-in					
	AIV	Front, built-in					
	AIH	Rear, built-in					
Type of mounting	Via through-hole						
	With female thread						
	Via accessories						
Mounting position	Any						

Operating and environmental conditions							
Piston Ø	20	25	32	40	50	63	80
Operating medium	Compressed air in accordance with ISO 8573-1:2010 [7:4:4]						
Note on operating/pilot medium	Operation with lubricated medium possible (in which case lubricated operation will always be required)						
Operating pressure	[bar]	0.8 ... 10		0.6 ... 10			
	S2 [bar]	1.2 ... 10		1 ... 10			0.8 ... 10
	S6 [bar]	1 ... 10	0.6 ... 10				
Ambient temperature ¹⁾	[°C]	-20 ... +80					
	S6 [°C]	0 ... +120					
Suitability for use in the food industry	As per manufacturer's declaration (→ Support / Downloads)						
Corrosion resistance class CRC ²⁾	3						

1) Note operating range of proximity sensors

2) Corrosion resistance class 3 to Festo standard 940 070

Components requiring higher corrosion resistance. External visible parts in direct contact with industrial atmospheres or media such as solvents and cleaning agents, with a predominantly functional requirement for the surface

Compact cylinders CDC, ISO 21287, Clean Design

Technical data

Forces [N] and impact energy [J]							
Piston Ø	20	25	32	40	50	63	80
Theoretical force at 6 bar, advancing		188	295	483	754	1,178	3,016
	S2	141	247	415	686	1,057	2,827
Theoretical force at 6 bar, retracting		141	247	415	686	1,057	2,827
Max. impact energy at the end positions		0.2	0.3	0.4	0.7	1	1.8
	S6	0.1	0.15	0.2	0.35	0.5	0.9

Permissible impact velocity:

$$v_{perm.} = \sqrt{\frac{2 \times E_{perm.}}{m_{dead} + m_{load}}}$$

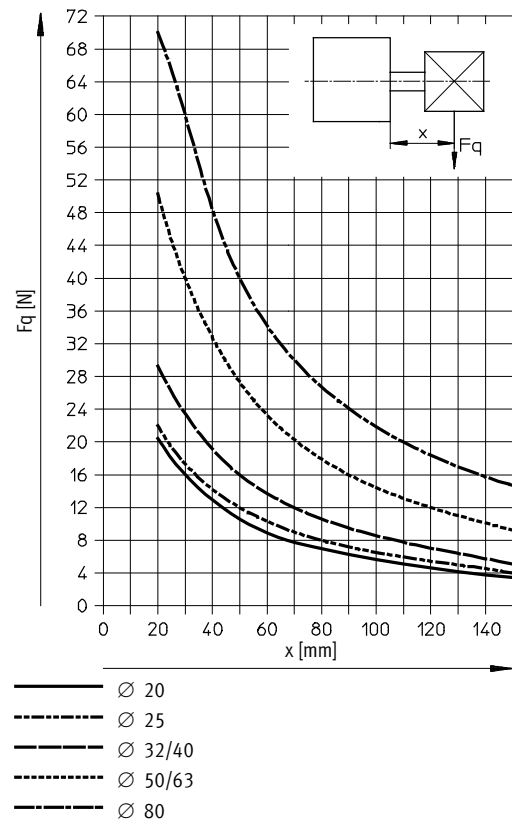
$v_{perm.}$ Permissible impact velocity
 $E_{perm.}$ Max. impact energy
 m_{dead} Moving load (drive)
 m_{load} Moving work load

Note
 These specifications represent the maximum values which can be reached. Note the maximum permitted impact energy.

Maximum permissible load:

$$m_{load} = \frac{2 \times E_{perm.}}{v^2} - m_{dead}$$

Max. lateral force Fq as a function of projection X



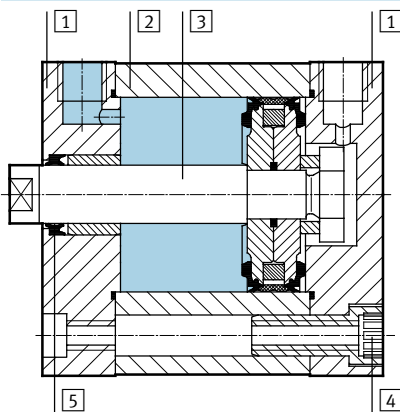
Compact cylinders CDC, ISO 21287, Clean Design

Technical data

Weights [g]							
Piston \varnothing	20	25	32	40	50	63	80
Basic version							
Product weight with 0 mm stroke	133	170	277	377	567	790	1,475
Additional weight per 10 mm stroke	20	23	31	35	52	59	84
Moving load with 0 mm stroke	24	33	53	82	128	177	367
Additional load per 10 mm stroke	6	6	9	9	16	16	25
S2 – Through piston rod							
Product weight with 0 mm stroke	150	183	296	386	600	827	1,507
Additional weight per 10 mm stroke	26	29	40	44	67	74	109
Moving load with 0 mm stroke	34	40	64	81	144	195	367
Additional load per 10 mm stroke	12	12	18	18	32	32	49

Materials

Sectional view



Compact cylinder	Basic version	S6
1 End cap	Anodised aluminium	
2 Cylinder barrel	Anodised aluminium	
3 Piston rod	High-alloy steel	
4 Flange screws	Corrosion-resistant steel	
- Seals	Polyurethane, nitrile rubber	Fluorocarbon rubber
- Note on materials	Free of copper and PTFE	
-	-	Contains PWIS (paint-wetting impairment substances)

Compact cylinders CDC, ISO 21287, Clean Design

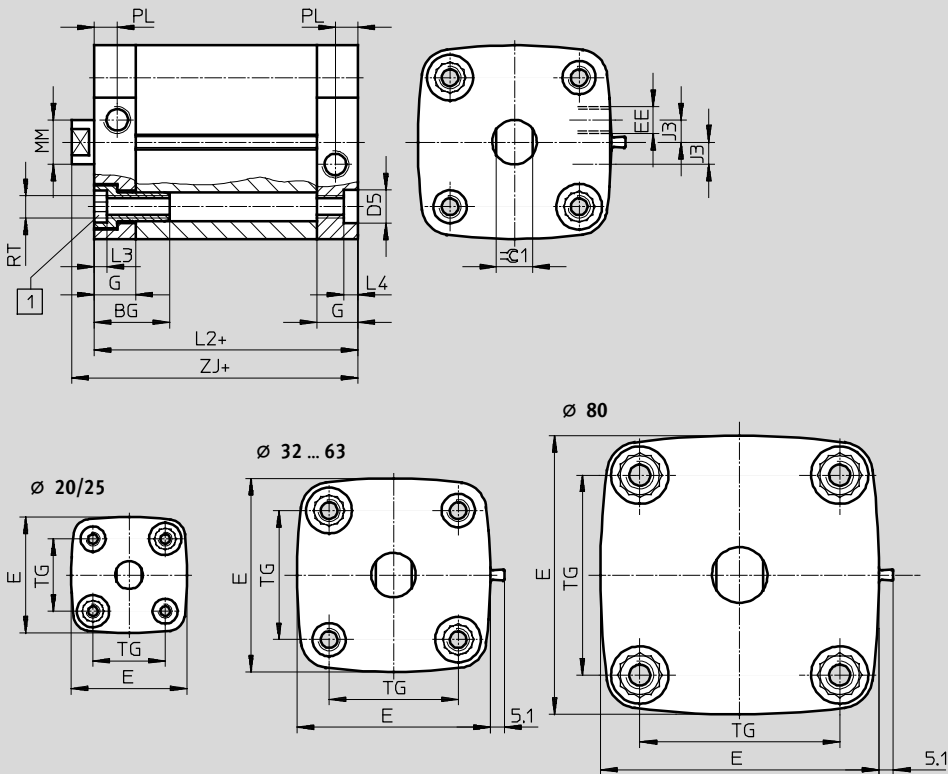
Technical data

FESTO

Dimensions

Download CAD data → www.festo.com

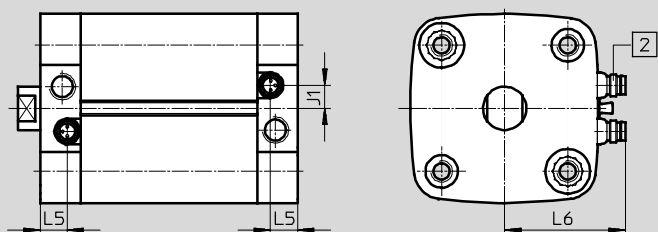
Basic version



1 Socket head screw with female thread for mounting attachments

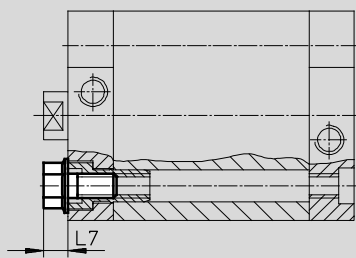
+ = plus stroke length

With position sensing integrated in the end positions



1 Miniature plug connector, 3-pin, with integrated proximity sensor (order code SME or SMT) suitable for cable with socket SIM-K...-CDN

Projection of blanking screw




Compact cylinders CDC, ISO 21287, Clean Design

Technical data

∅ [mm]	BG	D5 F9	E	EE	G	J1 ±0.1	J3 ±0.1	L2	L3	L4
20	19.5	9	36.8	M5	12	-	-	37	4.4	5
25			41.8					39		
32	26		49.8	G1/8	15	5.8	7	44		
40		57.8	8			8	45			
50	27	69.7	8.5				49			
63		81.3	12				54			
80		-	100.4	15	8	-				

∅ [mm]	L5	L6 ±2	L7	MM ∅ h8	PL ±0.1	RT	TG	ZJ +1	≅C1 h13
20	-	-	7	10	6	M5	22	42.7	9
25			26	44.7					
32	10	35	8.7	12	8.2	M6	32.5	50.2	10
40		39					38	51.2	
50		45	10.3	16		M8	46.5	53.2	13
63		50					56.5	57.2	
80	11.5	60	11.9	20	M10	72	63	17	

 - Note
The following maximum stroke lengths apply in combination with a swivel mounting on the end cap:

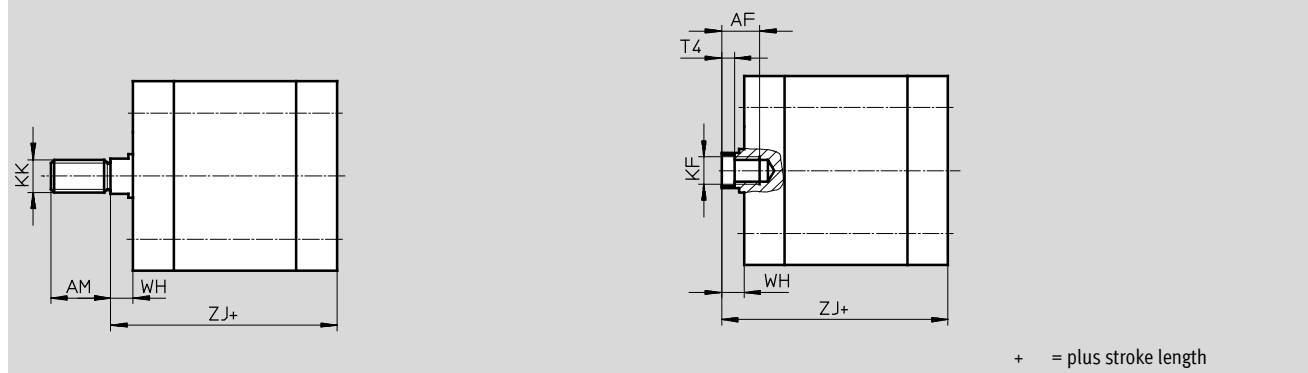
∅ [mm]	20	25	32	40	50	63	80
Max. stroke length	50		100			150	

Compact cylinders CDC, ISO 21287, Clean Design

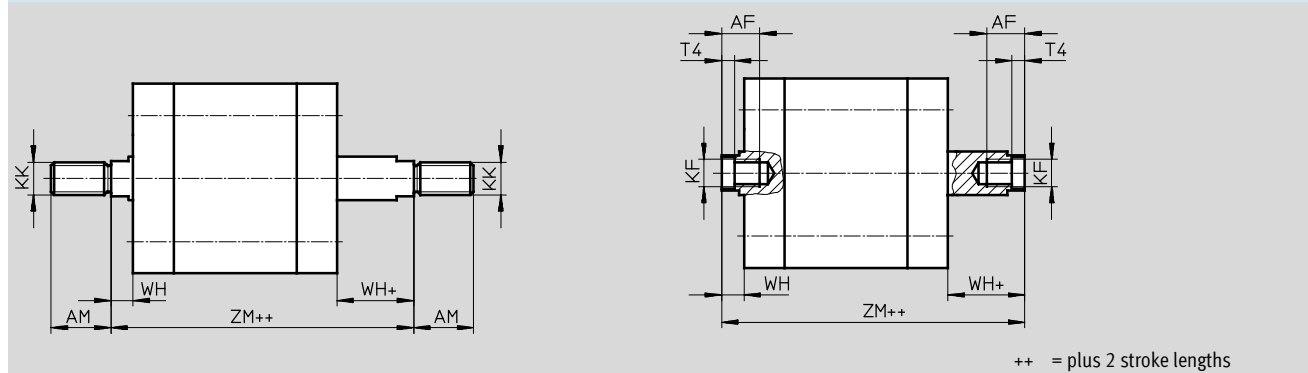
Technical data

Dimensions – Variants Download CAD data → www.festo.com

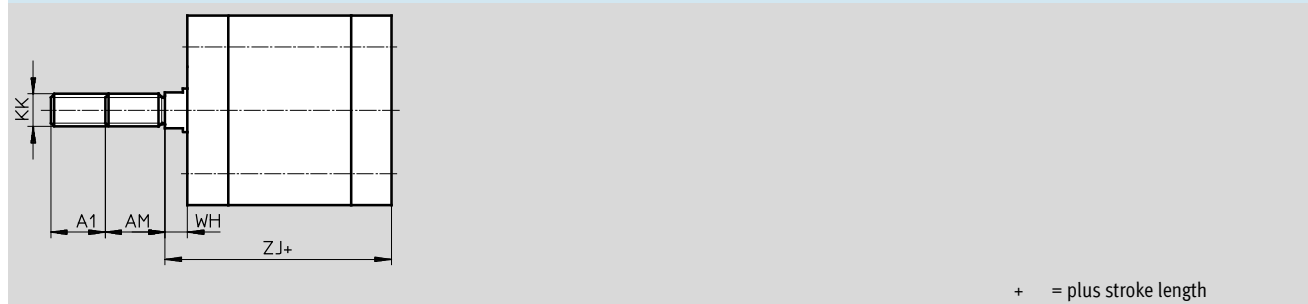
Basic version



S2 – Through piston rod



K2 – Extended male piston rod thread



∅	A1	AF	AM	KF	KK	T4	WH	ZJ	ZM
[mm]		min.	-0.5				+1	+1	
20	1 ... 20	14	16	M6	M8	2.6	5.7	42.7	49.8
25								44.7	51.8
32		16	19	M8	M10x1.25	3.3	6.2	50.2	57.8
40								51.2	58.9
50								53.2	63.1
63	20	22	M10	M12x1.25	4.7	8.2	57.2	66.9	
80							63	73.5	
	1 ... 30		28	M12	M16x1.5	6.1	9		

Compact cylinders CDC, ISO 21287, Clean Design

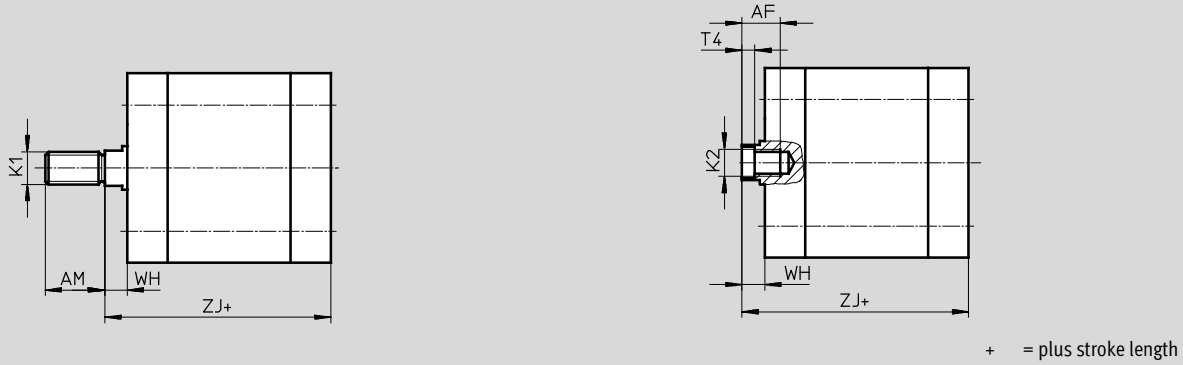
Technical data



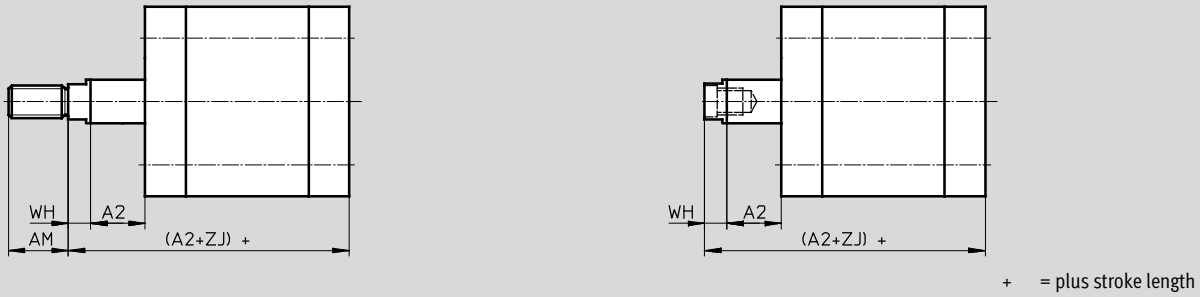
Dimensions – Variants

Download CAD data → www.festo.com

K5 – Special thread on piston rod



K8 – Extended piston rod

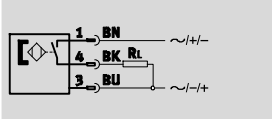


∅	AF	A2	AM	K1	K2	T4	WH	ZJ
[mm]	min.		-0.5				+1	+1
20	14	1 ... 300	16	M10, M10x1.25	M5	2.6	5.7	42.7
25								44.7
32	16	1 ... 400	19	M10, M12	M6	3.3	6.2	50.2
40								51.2
50	20		22	M12, M12	M8	4.7	8.2	53.2
63								57.2
80		1 ... 500	28	M16, M20	M10	6.1	9	63

Compact cylinders CDC, ISO 21287, Clean Design

Technical data

Proximity sensor,
magnetic reed
(order code SME)



Note

The proximity sensor can only be ordered in conjunction with the order code AIB, AIV and AIH (integrated position sensing) in the modular product system.



Technical data		
General information		
Design	Integrated	
Based on standard	EN 60947-5-2	
CE mark (see declaration of conformity)	To EU EMC Directive	
Note on materials	Free of copper and PTFE	
Input signal/measuring element		
Measuring principle	Magnetic reed	
Ambient temperature	[°C]	-20 ... +60
Switching output		
Switching output	Contacting, bipolar	
Switching element function	N/O contact	
Reproducibility of switching point	[mm]	±0.1
Hysteresis	[mm]	1 ... 4, depending on the cylinder used
Switch-on time	[ms]	0.5
Switch-off time	[ms]	0.5
Max. output current	[mA]	500
Max. switching capacity AC	[W]	10 VA
Max. switching capacity DC	[W]	10 W
Inductive protective circuit	Adapted to MZ coil with LED	
Residual current	[mA]	0
Output, further data		
Protection against short circuit	No	
Protection against overloading	No	
Electronic components		
Operating voltage range	[V AC]	12 ... 30
	[V DC]	12 ... 30
Protection against polarity reversal	No	
Electromechanical components		
Electrical connection	Plug, M8x1, 3-pin	
Connection direction	Lateral	
Information on crimp connector materials	Gold-plated brass	

Compact cylinders CDC, ISO 21287, Clean Design

Technical data

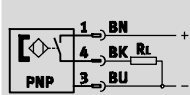
Technical data	
Mechanical components	
Tightening torque [Nm]	0.3
Mounting position	Any
Product weight [g]	2.7
Information on housing materials	Polyamide, epoxy resin, nickel-plated brass
Display/operation	
Switching status display	Yellow LED
Immissions/emissions	
Degree of protection	IP65, IP67 to EN 60529
	IP69K, to DIN 40050 Part 9
	Only in conjunction with plug socket with cable SIM-K-...-CDN
Corrosion resistance class CRC ¹⁾	3

1) Corrosion resistance class 3 according to Festo standard 940 070
 Components subject to high corrosion stress. External visible parts in direct contact with industrial atmospheres or media such as solvents and cleaning agents, with a predominantly functional requirement for the surface.

Compact cylinders CDC, ISO 21287, Clean Design

Technical data

Proximity sensor,
magneto-resistive
(order code SMT)



 Note

The proximity sensor can only be ordered in conjunction with the order code AIB, AIV and AIH (integrated position sensing) in the modular product system.



Technical data		
General information		
Design	Integrated	
Based on standard	EN 60947-5-2	
CE mark (see declaration of conformity)	To EU EMC Directive	
Note on materials	Free of copper and PTFE	
Input signal/measuring element		
Measuring principle	Magneto-resistive	
Ambient temperature	[°C]	-20 ... +60
Switching output		
Switching output	PNP	
Switching element function	N/O contact	
Reproducibility of switching point	[mm]	±0.1
Hysteresis	[mm]	1 ... 4, depending on the cylinder used
Switch-on time	[ms]	0.5
Switch-off time	[ms]	0.5
Max. output current	[mA]	100
Max. switching capacity DC	[W]	3
Voltage drop	[V]	< 2
Inductive protective circuit	Adapted to MZ, MY, ME coils	
Residual current	[µA]	< 10
Output, further data		
Protection against short circuit	Yes	
Protection against overloading	Yes	
Electronic components		
Operating voltage range	[V DC]	5 ... 30
Residual ripple	[%]	10
Protection against polarity reversal	Yes	
Electromechanical components		
Electrical connection	Plug, M8x1, 3-pin	
Connection direction	Lateral	
Information on crimp connector materials	Gold-plated brass	

Compact cylinders CDC, ISO 21287, Clean Design

Technical data

Technical data	
Mechanical components	
Tightening torque	[Nm] 0.3
Mounting position	Any
Product weight	[g] 2.7
Information on housing materials	Polyamide, epoxy resin, nickel-plated brass
Display/operation	
Switching status display	Yellow LED
Immissions/emissions	
Degree of protection	IP65, IP67 to EN 60529
	IP69K, to DIN 40050 Part 9
	Only in conjunction with plug socket with cable SIM-K-...-CDN
Corrosion resistance class CRC ¹⁾	3

1) Corrosion resistance class 3 according to Festo standard 940 070
 Components subject to high corrosion stress. External visible parts in direct contact with industrial atmospheres or media such as solvents and cleaning agents, with a predominantly functional requirement for the surface.

Compact cylinders CDC, ISO 21287, Clean Design

Ordering data – Modular products

M Mandatory data →							
Module No.	Function		Stroke		Cushioning		
	Piston Ø		Piston rod thread		Position sensing		
543 305	CDC	20	1 ... 500	A	P	-	
543 306		25		I		A	
543 307		32				AIB	
543 308		40				AIV	
543 309		50				AIH	
543 310		63					
543 311		80					
Order example							
543 306	CDC	- 25	- 225	- A	- P		

Ordering table											
Size	20	25	32	40	50	63	80	Condi- tions	Code	Enter code	
M Module No.	543 305	543 306	543 307	543 308	543 309	543 310	543 311				
Function	Standard cylinder, double-acting, based on ISO 21287 (Clean Design)								CDC	CDC	
Piston Ø [mm]	20	25	32	40	50	63	80		-...		
Stroke [mm]	1 ... 300		1 ... 400				1 ... 500			-...	
Piston rod thread	Male thread								-A		
	Female thread							[1]	-I		
Cushioning	Flexible cushioning rings/pads at both ends								-P	-P	
Position sensing	Without position sensing		-	-	-	-	-				
	-		For proximity sensor						-A		
	-		At both ends, integrated					[2]	-AIB		
	-		Front, integrated					[2]	-AIV		
	-		Rear, integrated					[2]	-AIH		

[1] I Not with extended male thread K2

[2] AIB, AIV, AIH Only with proximity sensor SME, SMT

Transfer order code

Compact cylinders CDC, ISO 21287, Clean Design

Ordering data – Modular products



Options										
Proximity sensor		Type of piston rod			Special thread		Temperature resistance			
Sensor mounting rail		Male thread extended			Piston rod extended					
SME	R	S2	...K2	"...K5	K8	S6				
SMT										
		S2		20K2		"M10"K5		75K8		S6

Ordering table											
Size	20	25	32	40	50	63	80	Condi- tions	Code	Enter code	
0 Proximity sensor	-		SME (contacting)				3		-SME		
	-		SMT (contactless)				4		-SMT		
Sensor mounting rail	-		Sensor mounting rail for external position sensing				5		-R		
Type of piston rod	Through piston rod								-S2		
Male thread extended [mm]	Extended male piston rod thread										
	1 ... 20				1 ... 30			-...K2			
Piston rod with special thread	Male thread	M10x1.25		M10		M12		M16		-"...K5	
		M10		M12		M16		M20			
Piston rod extended [mm]	Female thread	M5		M6		M8		M10			
		Extended piston rod				1 ... 500			6		-...K8
Temperature resistance	Heat-resistant seals for temperatures up to 120 °C							7		-S6	

- 3 SME Only with position sensing AIB, AIV, AIH
Minimum stroke 15 mm
- 4 SMT Only with position sensing AIB, AIV, AIH
Minimum stroke 10 mm

- 5 R Must be selected with size 32, 40, 50, 63, 80
- 6 K8 The sum of the stroke length and piston rod extension must not exceed the maximum permissible stroke length
- 7 S6 Not with position sensing AIB, AIV, AIH

Transfer order code

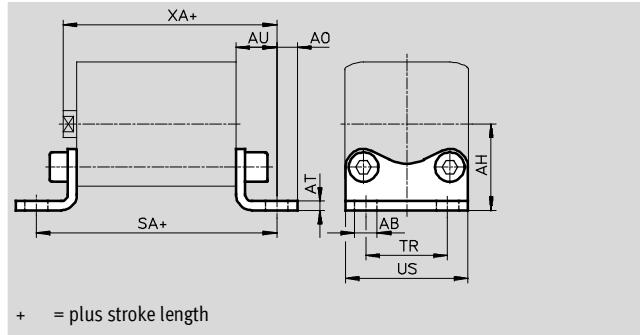
- [] - [] - [] - [] - [] - [] - [] - []

Compact cylinders CDC, ISO 21287, Clean Design

Accessories

Foot mounting HNA-...-R3

Material:
Steel with protective coating
Free of copper and PTFE
RoHS-compliant



Dimensions and ordering data							
For \varnothing	AB	AH	AO	AT	AU	SA	TR
[mm]	\varnothing H14	JS14		± 0.5	± 0.2		± 0.2
20	7	27	6.25	4	16	69	22
25		29				71	26
32		33.5				76	32
40	10	38	9	5	21	81	36
50		45	8			87	45
63		50	91			50	
80	12	63	10.5	6	26	106	63

For \varnothing	US	XA	CRC ¹⁾	Weight	Part No.	Type
[mm]	-0.5			[g]		
20	34.5	59	3	84	537254	HNA-20-R3
25	38.5	61	3	90	537255	HNA-25-R3
32	46	66	3	123	537256	HNA-32-R3
40	54	69	3	157	537257	HNA-40-R3
50	64	74	3	278	537258	HNA-50-R3
63	75	78	3	328	537259	HNA-63-R3
80	63	89	3	634	537260	HNA-80-R3

1) Corrosion resistance class 3 according to Festo standard 940 070
Components subject to high corrosion stress. External visible parts in direct contact with industrial atmospheres or media such as solvents and cleaning agents, with a predominantly functional requirement for the surface.

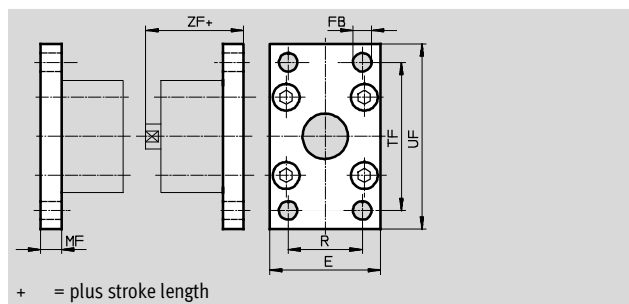
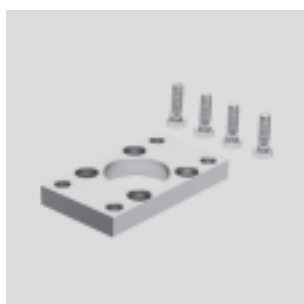
- - Note
Screws with special lengths are required to fit the sizes \varnothing 80 mm
→ 25

Compact cylinders CDC, ISO 21287, Clean Design

Accessories

Flange mounting CRFNG


Material:
High-alloy steel
Free of copper and PTFE



Dimensions and ordering data						
For \varnothing	E	FB	MF	R	TF	UF
[mm]		\varnothing H13				
32	45	7	10	32	64	80
40	54	9	10	36	72	90
50	65	9	12	45	90	110
63	75	9	12	50	100	120
80	93	12	16	63	126	150

Dimensions and ordering data					
For \varnothing	ZF	CRC ¹⁾	Weight	Part No.	Type
[mm]			[g]		
32	54	4	225	161846	CRFNG-32
40	55	4	300	161847	CRFNG-40
50	57	4	540	161848	CRFNG-50
63	61	4	680	161849	CRFNG-63
80	70	4	1,500	161850	CRFNG-80

1) Corrosion resistance class 4 according to Festo standard 940 070
Components subject to particularly high corrosion stress. Parts used with aggressive media, e.g. in the food or chemical industry. These applications should be supported with special tests with the media if required.

-  - Note
Screws with special lengths are required to fit the sizes \varnothing 80 mm
→ 25

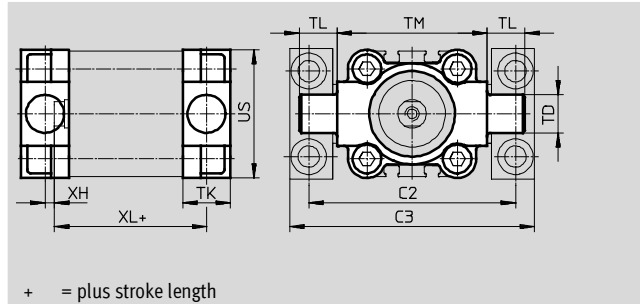
Compact cylinders CDC, ISO 21287, Clean Design

Accessories

Trunnion flange CRZNG

Material:

CRZNG: Electrolytically polished special steel casting
Free of copper and PTFE
RoHS-compliant



Dimensions and ordering data													
For \varnothing	C2	C3	TD	TK	TL	TM	US	XH	XL	CRC ¹⁾	Weight	Part No.	Type
[mm]			\varnothing e9										
32	71	86	12	16	12	50	45	2	52	4	150	161852	CRZNG-32
40	87	105	16	20	16	63	54	4	55	4	285	161853	CRZNG-40
50	99	117	16	24	16	75	64	4	57	4	473	161854	CRZNG-50
63	116	136	20	24	20	90	75	4	61	4	687	161855	CRZNG-63
80	136	156	20	28	20	110	93	5	81	4	1,296	161856	CRZNG-80

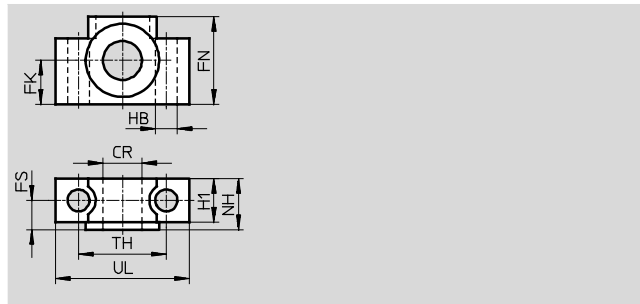
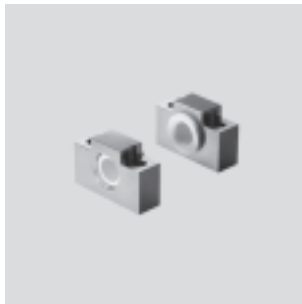
1) Corrosion resistance class 4 according to Festo standard 940 070
Components subject to particularly high corrosion stress. Parts used with aggressive media, e.g. in the food or chemical industry. These applications should be supported with special tests with the media if required.

Note
Screws with special lengths are required to fit the sizes \varnothing 80 mm
→ 25

Trunnion supports CRLNZG

Material:

High-alloy steel
Free of copper and PTFE
RoHS-compliant



Dimensions and ordering data													
For \varnothing	CR	FK	FN	FS	H1	HB	NH	TH	UL	CRC ¹⁾	Weight	Part No.	Type
[mm]	\varnothing D11	\varnothing ± 0.1				\varnothing H13		± 0.2			[g]		
32	12	15	30	10.5	15	6.6	18	32	46	4	205	161874	CRLNZG-32
40, 50	16	18	36	12	18	9	21	36	55	4	323	161875	CRLNZG-40/50
63, 80	20	20	40	13	20	11	23	42	65	4	435	161876	CRLNZG-63/80

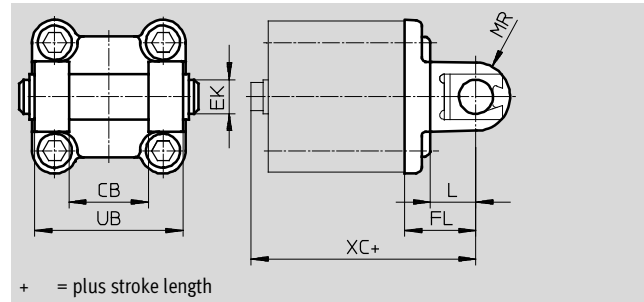
1) Corrosion resistance class 4 according to Festo standard 940 070
Components subject to particularly high corrosion stress. Parts used with aggressive media, e.g. in the food or chemical industry. These applications should be supported with special tests with the media if required.

Compact cylinders CDC, ISO 21287, Clean Design

Accessories

Swivel flange SNCB-...-R3

Material:
Die-cast aluminium with protective coating, high corrosion protection
Free of copper and PTFE
RoHS-compliant



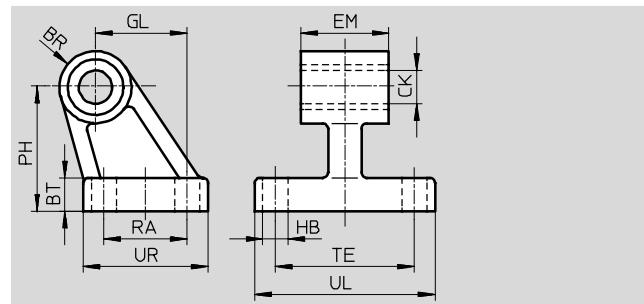
Dimensions and ordering data											
For \varnothing	CB	EK	FL	L	MR	UB	XC	CRC ¹⁾	Weight	Part No.	Type
[mm]	H14	\varnothing e8	± 0.2			h14			[g]		
32	26	10	22	13	8.5	45	72	3	100	176944	SNCB-32-R3
40	28	12	25	16	12	52	76	3	151	176945	SNCB-40-R3
50	32	12	27	16	12	60	80	3	228	176946	SNCB-50-R3
63	40	16	32	21	16	70	89	3	371	176947	SNCB-63-R3
80	50	16	36	22	16	90	99	3	632	176948	SNCB-80-R3

1) Corrosion resistance class 3 according to Festo standard 940 070
Components subject to high corrosion stress. External visible parts in direct contact with industrial atmospheres or media such as solvents and cleaning agents, with a predominantly functional requirement for the surface.

- Note
Screws with special lengths are required to fit the sizes \varnothing 80 mm
➔ 25

Clevis foot CRLNG

Material:
High-alloy steel
Free of copper and PTFE



Dimensions and ordering data															
For \varnothing	BR	BT	CK	EM	GL	HB	PH	RA	TE	UL	UR	CRC ¹⁾	Weight	Part No.	Type
[mm]			\varnothing D11	-0.4		\varnothing H13							[g]		
32	10	8	10	25.8	21	6.6	32	18	38	51	31	4	120	161840	CRLNG-32
40	11	10	12	27.8	24	6.6	36	22	41	54	35	4	160	161841	CRLNG-40
50	12	12	12	31.8	33	9	45	30	50	65	45	4	280	161842	CRLNG-50
63	15	12	16	39.8	37	9	50	35	52	67	50	4	375	161843	CRLNG-63
80	15	14	16	49.8	47	11	63	40	66	86	60	4	580	161844	CRLNG-80

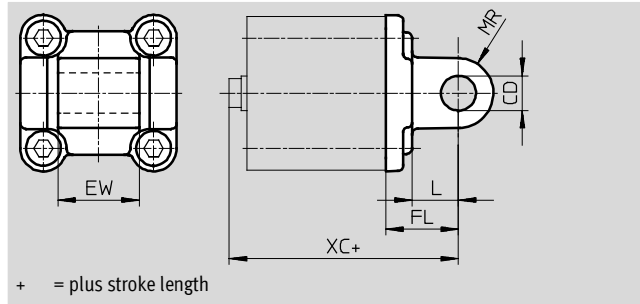
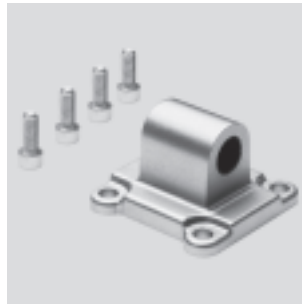
1) Corrosion resistance class 4 according to Festo standard 940 070
Components subject to particularly high corrosion stress. Parts used with aggressive media, e.g. in the food or chemical industry. These applications should be supported with special tests with the media if required.

Compact cylinders CDC, ISO 21287, Clean Design

Accessories

Swivel flange SNCL-...-R3

Material:
 SNCL-...-R3: Die-cast aluminium with protective coating
 Free of copper and PTFE
 RoHS-compliant

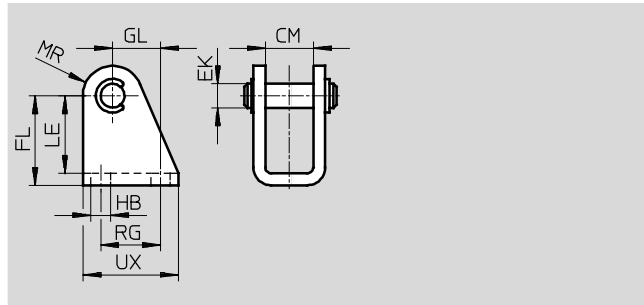


Dimensions and ordering data										
For \varnothing	CD	EW	FL	L	MR	XC	CRC ¹⁾	Weight	Part No.	Type
[mm]	\varnothing H9	h12	± 0.2					[g]		
20	8	16	20	14	8	63	3	40	537796	SNCL-20-R3
25						65	3	45	537797	SNCL-25-R3

1) Corrosion resistance class 3 according to Festo standard 940 070
 Components subject to high corrosion stress. External visible parts in direct contact with industrial atmospheres or media such as solvents and cleaning agents, with a predominantly functional requirement for the surface.

Clevis foot CRLBN, stainless steel

Material:
 High-alloy steel
 Free of copper and PTFE

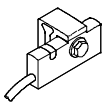




Dimensions and ordering data													
For \varnothing	CM	EK	FL	GL	HB	LE	MR	RG	UX	CRC ¹⁾	Weight	Part No.	Type
[mm]		\varnothing									[g]		
20/25	16.1	8	30 +0.4/-0.2	16	6.6	26	10	20	32	4	62	161863	CRLBN-20/25



1) Corrosion resistance class 4 according to Festo standard 940 070
 Components subject to particularly high corrosion stress. Parts used with aggressive media, e.g. in the food or chemical industry. These applications should be supported with special tests with the media if required.

Compact cylinders CDC, ISO 21287, Clean Design

Accessories

Ordering data – Proximity sensors for T-slot, magneto-resistive					Technical data → Internet: smt	
	Type of mounting	Switching output	Electrical connection	Cable length [m]	Part No.	Type
N/O contact						
	Is mounted on the mounting rail	PNP	Cable, 3-wire	5.0	571339	SMT-C1-PS-24V-K-5,0-OE
			Plug M8x1, 3-pin	0.3	571342	SMT-C1-PS-24V-K-0,3-M8D
			Plug M12x1, 3-pin	0.3	571341	SMT-C1-PS-24V-K-0,3-M12

Ordering data – Connecting cables for SMT-C1-...				Technical data → Internet: nebu	
	Electrical connection, left	Electrical connection, right	Cable length [m]	Part No.	Type
	Straight socket, M8x1, 3-pin	Cable, open end, 3-wire	2.5	541333	NEBU-M8G3-K-2.5-LE3
			5	541334	NEBU-M8G3-K-5-LE3
	Straight socket, M12x1, 5-pin	Cable, open end, 3-wire	2.5	541363	NEBU-M12G5-K-2.5-LE3
			5	541364	NEBU-M12G5-K-5-LE3
	Angled socket, M8x1, 3-pin	Cable, open end, 3-wire	2.5	541338	NEBU-M8W3-K-2.5-LE3
			5	541341	NEBU-M8W3-K-5-LE3
	Angled socket, M12x1, 5-pin	Cable, open end, 3-wire	2.5	541367	NEBU-M12W5-K-2.5-LE3
			5	541370	NEBU-M12W5-K-5-LE3

Ordering data – Connecting cables for integrated proximity sensor				Technical data → Internet: sim	
	Electrical connection, left	Electrical connection, right	Cable length [m]	Part No.	Type
	Straight socket, M8x1, 3-pin	Cable, open end, 3-wire	2.5	525259	SIM-K-GD-2,5-CDN
			5	525260	SIM-K-GD-5-CDN
	Angled socket, M8x1, 3-pin	Cable, open end, 3-wire	2.5	525261	SIM-K-WD-2,5-CDN
			5	525262	SIM-K-WD-5-CDN




 Note

The connecting cables SIM... are suitable for foodstuffs, resistant to cleaning and disinfecting agents to DIN 11483.



Compact cylinders CDC, ISO 21287, Clean Design

Accessories

FESTO

Ordering data – Push-in fittings					Technical data → Internet: quick star		
	Connection		Material	Weight [g]	Part No.	Type	PU ³⁾
	Thread	Tubing O.D.					
With external hex							
	M5	4	Brass, nickel-plated and chrome-plated	–	578334	NPQH-D-M5-Q4-P10	10
		6		–	578335	NPQH-D-M5-Q6-P10	
	G1/8	4		6.1	578338	NPQH-D-G18-Q4-P10	
		6		9	578339	NPQH-D-G18-Q6-P10	
		8		11.4	578340	NPQH-D-G18-Q8-P10	
	M5	4	Stainless steel	6	162860	CRQS-M5-4 ¹⁾	1
		6		8.4	162861	CRQS-M5-6 ¹⁾	
	R1/8	6		9.9	162862	CRQS-1/8-6 ²⁾	
		8		12	162863	CRQS-1/8-8 ²⁾	
With internal hex							
	M5	4	Brass, nickel-plated and chrome-plated	4.6	578370	NPQH-DK-M5-Q4-P10	10
		6		8.6	578371	NPQH-DK-M5-Q6-P10	
	G1/8	4		–	578374	NPQH-DK-G18-Q4-P10	
		6		–	578375	NPQH-DK-G18-Q6-P10	
		8		–	578376	NPQH-DK-G18-Q8-P10	


- 1) With sealing ring
- 2) With PTFE coating
- 3) Packaging unit quantity


Ordering data – Push-in L-fittings					Technical data → Internet: quick star		
	Connection		Material	Weight [g]	Part No.	Type	PU ³⁾
	Thread	Tubing O.D.					
With external hex							
	M5	4	Brass, nickel-plated and chrome-plated	8.8	578276	NPQH-L-M5-Q4-P10	10
		6		11.9	578277	NPQH-L-M5-Q6-P10	
	G1/8	4		15.7	578280	NPQH-L-G18-Q4-P10	
		6		18.5	578281	NPQH-L-G18-Q6-P10	
		8		22	578282	NPQH-L-G18-Q8-P10	
	M5	4	Stainless steel	12	162870	CRQSL-M5-4 ¹⁾	1
		6		18	162871	CRQSL-M5-6 ¹⁾	
	R1/8	6		19	162872	CRQSL-1/8-6 ²⁾	
		8		26	162873	CRQSL-1/8-8 ²⁾	


- 1) With sealing ring
- 2) With PTFE coating
- 3) Packaging unit quantity

Compact cylinders CDC, ISO 21287, Clean Design


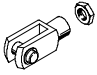
Accessories


Ordering data – Plastic tubing, standard O.D.		Technical data → Internet: tubing	
		Type	
	Good resistance to chemicals and hydrolysis	PLN	
	Pneumatic tubing with resistance to high temperatures and chemicals	PFAN	
	Approved for use in the food industry and hydrolysis-resistant	PUN-H	

Ordering data – One-way flow control valves				Technical data → Internet: crgla		
	Connection		Material	Weight [g]	Part No.	Type
	Thread	For push-in fitting				
	M5	CRQS/CRQSL/CRQST,	Electrolytically polished special steel casting	14	161403	CRGRLA-M5-B
	G1/8	Quick Star		44	161404	CRGRLA-1/8-B

Ordering data – Blanking screws, corrosion-resistant							
	For Ø	Material	CRC ¹⁾	Weight [g]	Part No.	Type	PU ³⁾
	20, 25	High-alloy steel	3	5.5	543714	DAMD-P-M5-10-R1 ²⁾	4
	32, 40			9	543715	DAMD-P-M6-12-R1 ²⁾	
	50, 63			17.5	543716	DAMD-P-M8-16-R1 ²⁾	
	80			30	543717	DAMD-P-M10-16-R1 ²⁾	

- 1) Corrosion resistance class 3 according to Festo standard 940 070
Components subject to high corrosion stress. External visible parts in direct contact with industrial atmospheres or media such as solvents and cleaning agents, with a predominantly functional requirement for the surface.
- 2) With sealing ring
- 3) Packaging unit quantity

Ordering data – Corrosion and acid-resistant piston rod attachments				Technical data → Internet: crsg			
Designation	For Ø	Part No.	Type	Designation	For Ø	Part No.	Type
Rod eye CRSGS				Rod clevis CRSG			
	20, 25	195581	CRSGS-M8		20, 25	13568	CRSG-M8
	32, 40	195582	CRSGS-M10x1,25		32, 40	13569	CRSG-M10x1,25
	50, 63	195583	CRSGS-M12x1,25		50, 63	13570	CRSG-M12x1,25
	80	195584	CRSGS-M16x1,5		80	13571	CRSG-M16x1,5

Ordering data – Screws				
	For Ø	For accessories	Part No.	PU ¹⁾
	80	HNA-R3, SNCB-R3	372622 DIN912-M10X30-A4-70	1
		CRFNG	8028230 DIN912-M10X30-A4-70	
		CRZNG	744814 DIN912-M10X40-A4-70	

- 1) Packaging unit quantity