

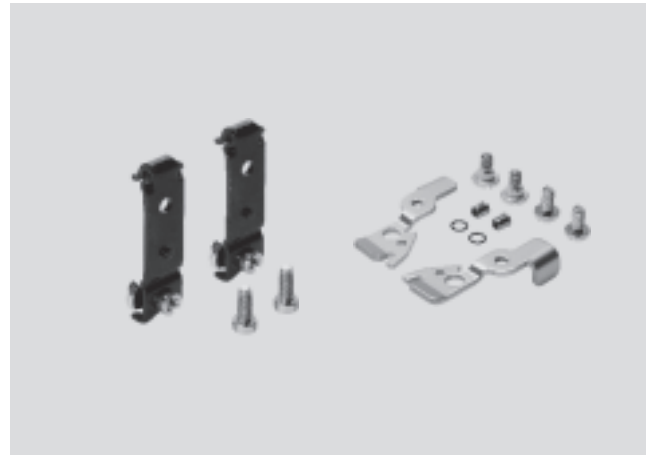
Mounting components CAFM, for controllers

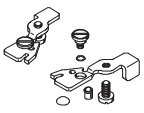
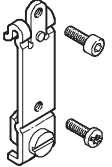
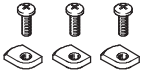


Technical data



Mounting attachments CPX

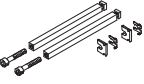
Mounting attachments enable valve terminals to be attached to walls and machine parts



Ordering data						
View	Weight [g]	Material	Function	Dimensions [mm]	Part No.	Type
	44.1	Cold-rolled steel	Mounting accessories (set) for H-rail mounting. Enables suitable valve terminals/modules to be attached to an H-rail. Includes a small right-hand swivel lever and mounting accessories.	62x24x13.5 (LxWxH) Material thickness: 3	526033	CPX-03-4,0
	48.3		Mounting accessories (set) for H-rail mounting. Enables suitable valve terminals/modules to be attached to an H-rail. Includes a large right-hand swivel lever and mounting accessories.	81x24x13.5 (LxWxH) Material thickness: 3	526034	CPX-03-7,0
	15.2	Cold-rolled steel	Mounting rail for H-rail mounting. Is screwed onto the component and the entire unit can then be placed on an H-rail. Includes 2 M3x6 screws (Torx).	55.1x13x7.7 (LxWxH) Material thickness: 2	536689	CPX-MMI-1-NRH
	10.5	Cold-rolled steel	Clamping components for H-rail mounting. Are screwed onto the component and clamp it onto an H-rail. Includes M4x12 screw (combi cross-slot screws).	8 x 11.8 (LxW) Material thickness: 2.5	526032	CPX-CPA-BG-NRH
	28.8	PA	Mounting bracket, acts as additional mounting for larger valve terminals	15x10.8x17.5 (LxWxH)	529040	CPX-BG-RW-10x
	25.2	Steel	Enables the MMI to be mounted at any position	84.3x92 (WxH)	534705	CPX-MMI-1-H

Mounting components CAFM, for controllers

Technical data

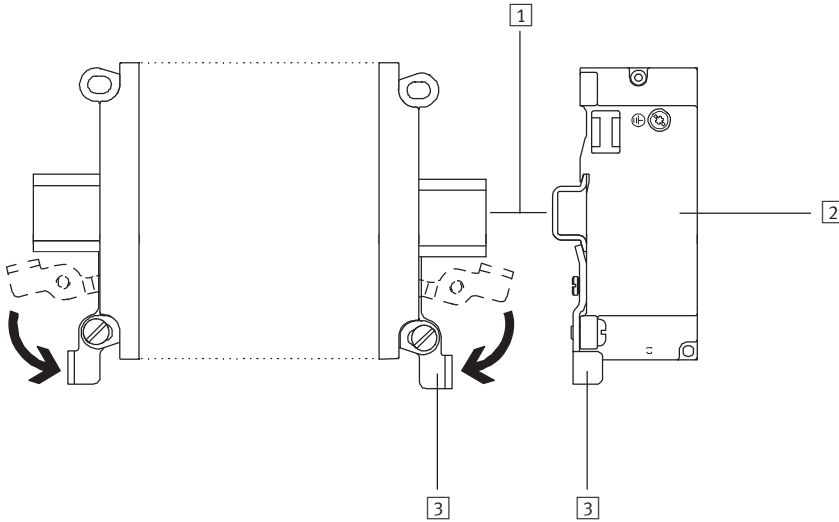
Ordering data						
View	Weight [g]	Material	Function	Dimensions [mm]	Part No.	Type
	23.9	Steel	Tie rod, enables CPX individual components to be assembled to form a unit. Available in different lengths for a different number of modules, standard thread M4.	60 (L) Expansion for 1 module	525418	CPX-ZA-1-E
	42.1			72.1 (L) 1 module	195718	CPX-ZA-1
	73.7			122.2 (L) 2 modules	195720	CPX-ZA-2
	103.9			172.3 (L) 3 modules	195722	CPX-ZA-3
	133			222.4 (L) 4 modules	195724	CPX-ZA-4
	167.7			272.5 (L) 5 modules	195726	CPX-ZA-5
	197.3			322.6 (L) 6 modules	195728	CPX-ZA-6
	225.4			372.7 (L) 7 modules	195730	CPX-ZA-7
	254.4			422.8 (L) 8 modules	195732	CPX-ZA-8
	280.3			472.9 (L) 9 modules	195734	CPX-ZA-9
	310			523 (L) 10 modules	195736	CPX-ZA-10

Mounting components CAFM, for controllers

Technical data

Examples illustrating H-rail mounting

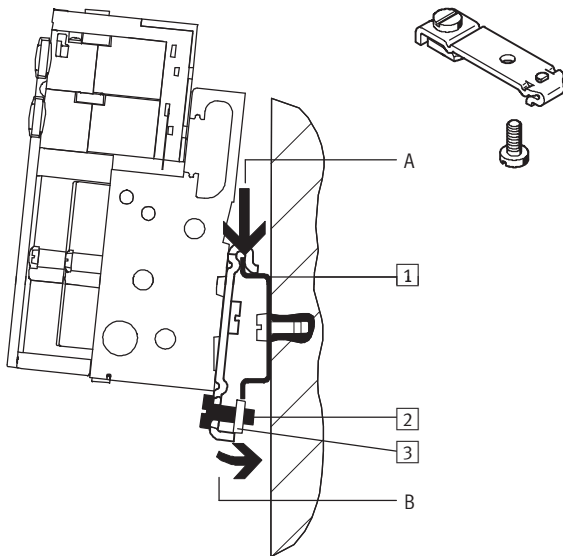
Via swivel levers



The valve terminal is attached to the H-rail and locked with the swivel lever.

- 1 H-rail
- 2 Valve terminal
- 3 Swivel lever

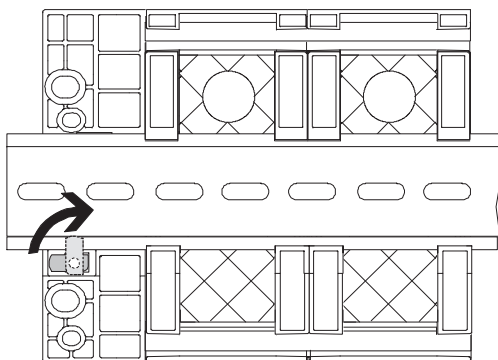
Via mounting rail



The valve terminal is attached to the H-rail (see arrow A) and then swivelled on the H-rail and secured in place with the clamping component (see arrow B).

- 1 Holes for wall mounting
- 2 Self-tapping M4x10 screw of the H-rail clamping unit
- 3 Clamping component of the H-rail clamping unit

Via clamping components



The H-rail mounting is pressed into the reverse profile of the (CPX) modules. The modules can be attached to the H-rail using the H-rail mountings.

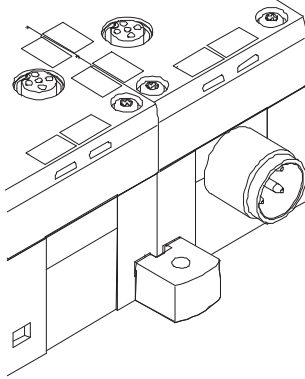
Mounting components CAFM, for controllers

Technical data

FESTO

Examples illustrating wall mounting

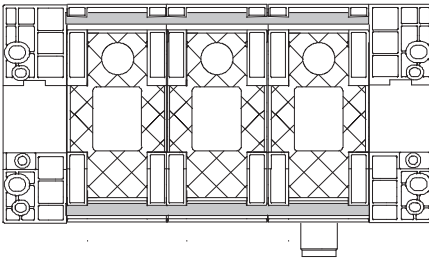
Via mounting bracket



For longer valve terminals, there is an additional mounting bracket (for the CPX terminal) that can be fitted in any module.

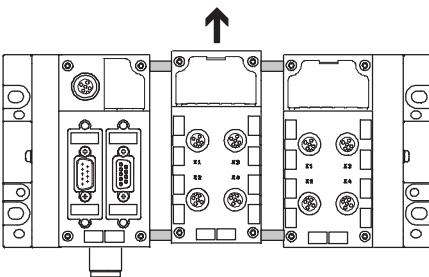
Examples illustrating general types of mounting

Via tie rod



The mechanical connection between the CPX modules is established using special tie rods. Two screws in the end plates are all that are needed to mount the entire unit.

The tie rod ensures that the unit resists high mechanical loads and is therefore the “mechanical backbone” of the CPX terminal.



The open design allows interlinking blocks to be replaced in the assembled state.

The tie rod expansion kit allows an extra module to be added to the CPX terminal.