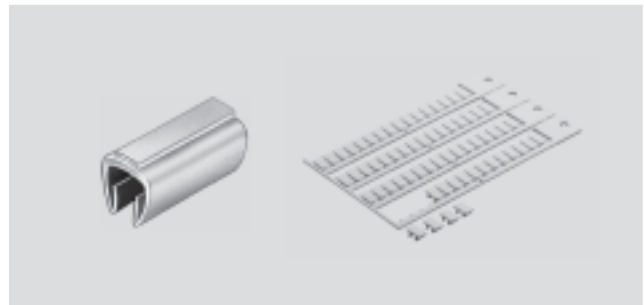


## Inscription labels ASLR

Technical data

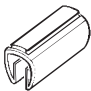
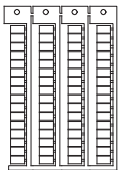
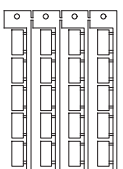


**Inscription label KM-BZ, IBS, KMC, MH**

Inscription labels for identification, can be used in holders or carriers on suitably equipped components.



General technical data				
Type	KM-BZ	IBS	KMC/F	MH
Type of mounting	Inscription clip is pressed onto a cable	Pressed into inscription label holders or suitable carriers on the components		
Inscription	The inscription clip itself is not labelled. The inscription is made on an insertable label or paper/cardboard strip	By the user directly on the inscription label		
Cable diameter [mm]	5 ... 8	-		

Materials				
Type	KM-BZ	IBS	KMC/F	MH
Inscription label holders	-	PA	PA	PC

Ordering data					
	Description	Dimensions (HxW)	Scope of delivery	Part No.	Type
		[mm]			
	Inscription clips for placing on a cable	11x20	1	<b>33361</b>	<b>KM-BZ</b>
	Inscription labels for pressing into a holder	6x10	64 (number per frame)	<b>18576</b>	<b>IBS-6x10</b>
		9x17	24 (number per frame)	<b>161937</b>	<b>IBS-9x17</b>
	Inscription labels for pressing into a holder	8x20	20 (number per frame)	<b>539388</b>	<b>IBS-8x20</b>
		9x20	20 (number per frame)	<b>18182</b>	<b>IBS-9x20</b>
		10x17	30 (number per frame)	<b>160238</b>	<b>IBS-10x17</b>
	Inscription labels for pressing into a holder	11/8x17	35 (number per frame)	<b>33362</b>	<b>KMC/F/V-BZ-35X</b>
	Inscription labels for pressing into a holder	4.5x9	80 (number per frame)	<b>197259</b>	<b>MH-BZ-80X</b>