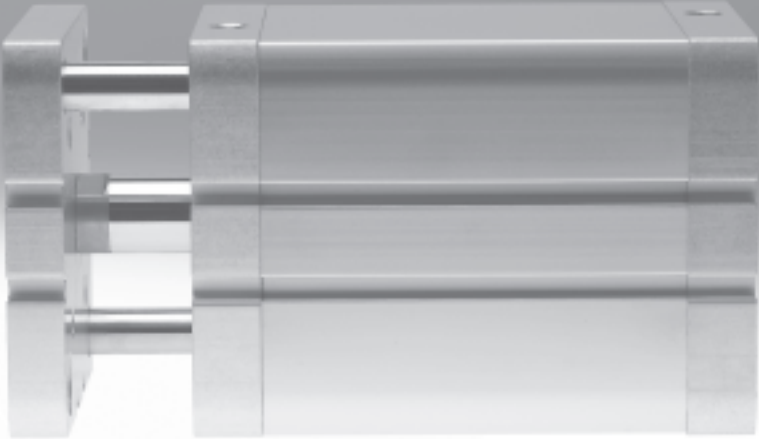


Compact cylinders ADNGF, standard port pattern



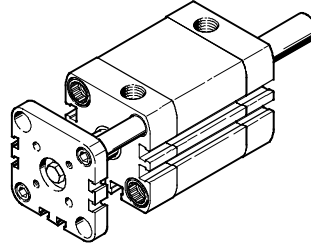
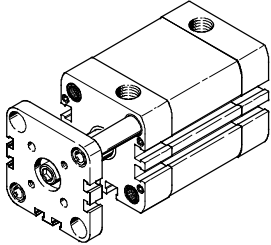
Compact cylinders ADNGF, standard port pattern

Key features and type codes

At a glance

With guide rod and yoke plate
ADNGF-...

With guide rod, yoke plate and through piston rod
ADNGF-...-S2



Cushioning types

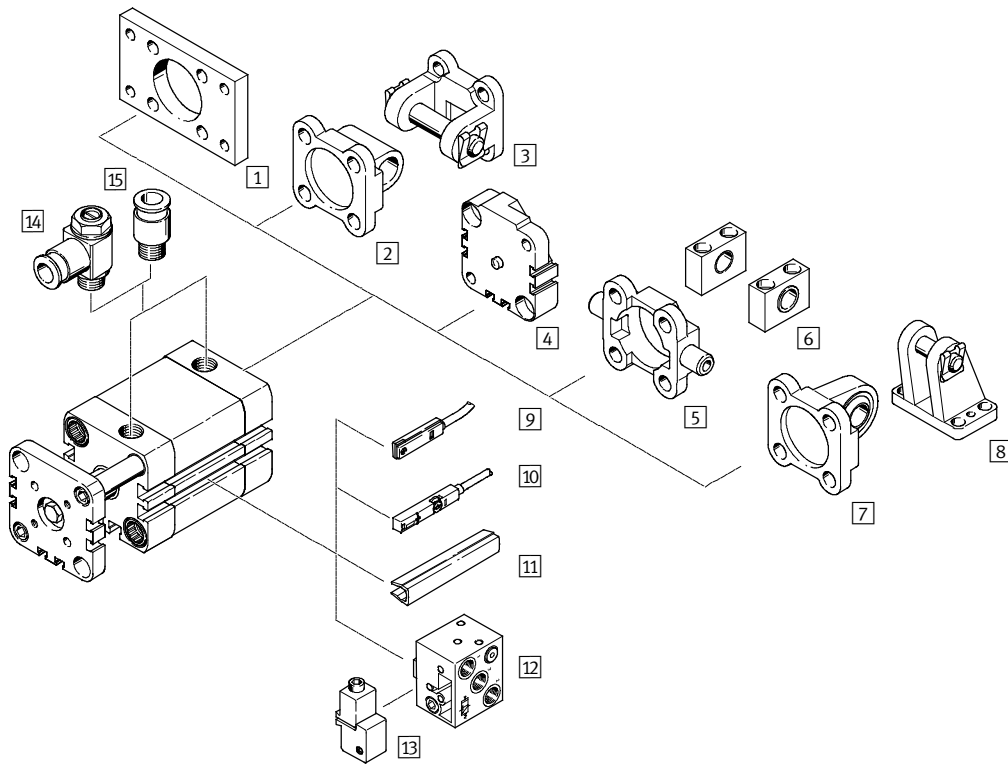
	Cushioning P	Cushioning PPS
Mode of operation	<ul style="list-style-type: none"> The drive is equipped with polymer flexible end-position cushioning 	<ul style="list-style-type: none"> The drive is equipped with self-adjusting, pneumatic end-position cushioning
Application	<ul style="list-style-type: none"> Small loads Low speeds Small cushioning capacity 	<ul style="list-style-type: none"> Larger loads Higher speeds Larger cushioning capacity
Advantages	<ul style="list-style-type: none"> No adjustment required Time-saving 	<ul style="list-style-type: none"> No adjustment required Up to four times greater cushioning capacity than ADNGF-...-P Time-saving Noise reduction

Type codes

		ADNGF	50	25	P	A	S6
Type							
Double-acting							
ADNGF	Compact cylinder						
Piston Ø [mm]							
Stroke [mm]							
Cushioning							
P	Flexible cushioning rings/pads at both ends						
PPS	Pneumatic cushioning, self-adjusting at both ends						
Position sensing							
A	Via proximity sensor						
Variant							
S2	Through piston rod						
S6	Heat-resistant seals up to max. 120 °C						
TL	Captive rating plate						

Compact cylinders ADNGF, standard port pattern

Peripherals overview



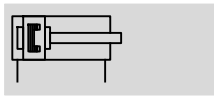
Mounting attachments and accessories		
	Brief description	→ Page/Internet
1	Flange mounting FNC	For end caps 11
2	Swivel flange SNCL	For end caps 12
3	Swivel flange SNCB	For end caps 15
4	Multi-position kit DPNA	For connecting two cylinders with identical piston diameters to form a multi-position cylinder 14
5	Trunnion flange ZNCF/CRZNG	For end caps 16
6	Trunnion support LNZG	For trunnion flange ZNCF/CRZNG 17
7	Swivel flange SNCS	For end caps 13
8	Clevis foot LBG	For swivel flange SNCS 13
9	Proximity sensor SME/SMT-8	Can be integrated in the cylinder profile barrel 19
10	Proximity sensor SME/SMT-8M	Can be integrated in the cylinder profile barrel 19
11	Slot cover ABP-5-S	For protecting the sensor cable and keeping dirt out of the sensor slots 19
12	Proximity sensor SMPO-8E	Pneumatic output signal 20
13	Mounting kit SMB-8E	For proximity sensor SMPO-8E 20
14	One-way flow control valve GRLA/GRLZ	For regulating speed 18
15	Push-in fitting QS	For connecting compressed air tubing with standard O.D. quick star

Compact cylinders ADNGF, standard port pattern

FESTO

Technical data

Function



Variants



S2



S6



⌀ - Diameter
12 ... 100 mm

— - Stroke length
1 ... 400 mm

General technical data											
Piston ⌀	12	16	20	25	32	40	50	63	80	100	
Pneumatic connection	M5	M5	M5	M5	G $\frac{1}{8}$	G $\frac{1}{8}$	G $\frac{1}{8}$	G $\frac{1}{8}$	G $\frac{1}{8}$	G $\frac{1}{8}$	
Design	Piston										
	Piston rod										
	Cylinder barrel										
Mode of operation	Double-acting										
Cushioning											
P	Flexible cushioning rings/pads at both ends										
PPS	-					Pneumatic cushioning, self-adjusting at both ends				-	
Cushioning length											
PPS	[mm]				-	4	5	6	7	7.5	-
Position sensing	Via proximity sensor										
Type of mounting	Via through-hole										
	Via female thread										
	Via accessories										
Mounting position	Any										

Operating and environmental conditions										
Piston ⌀	12	16	20	25	32	40	50	63	80	100
Operating medium	Compressed air in accordance with ISO 8573-1:2010 [7:4:4]									
Note on operating/pilot medium	Operation with lubricated medium possible (in which case lubricated operation will always be required)									
Operating pressure [bar]										
-	1.5 ... 10			1 ... 10						
PPS	-				1.5 ... 10		1 ... 10		-	
S2	1.5 ... 10			1 ... 10						
Ambient temperature ¹⁾ [°C]										
-	-20 ... +80									
S6	0 ... +120									
Corrosion resistance class CRC ²⁾										
2										

1) Note operating range of proximity sensors

2) Corrosion resistance class 2 according to Festo standard 940 070


Components subject to moderate corrosion stress. Externally visible parts with primarily decorative surface requirements which are in direct contact with a normal industrial environment or media such as coolants or lubricating agents.

Weight [g]										
Piston ⌀	12	16	20	25	32	40	50	63	80	100
Product weight with 0 mm stroke	90	93	161	191	327	430	687	915	1,678	2,673
Additional weight per 10 mm stroke	14	16	26	28	38	45	64	72	97	116
Moving load with 0 mm stroke										
Moving load with 0 mm stroke	22	29	60	85	122	164	287	373	778	1,089
Additional load per 10 mm stroke	4	6	11	11	17	17	29	29	43	43

Compact cylinders ADNGF, standard port pattern

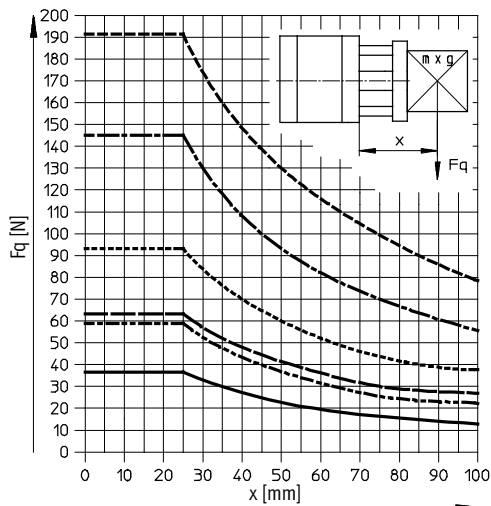
Technical data

Forces [N] and impact energy [J]										
Piston Ø	12	16	20	25	32	40	50	63	80	100
Theoretical force at 6 bar, advancing										
–	68	121	188	295	483	754	1,178	1,870	3,016	4,712
S2	51	90	141	247	415	686	1,057	1,750	2,827	4,524
Theoretical force at 6 bar, retracting										
–	51	90	141	247	415	686	1,057	1,750	2,827	4,524
S2	51	90	141	247	415	686	1,057	1,750	2,827	4,524
Max. impact energy in the end positions										
–	0.07	0.15	0.2	0.3	0.4	0.7	1.0	1.3	1.8	2.5
S6	0.035	0.075	0.1	0.15	0.2	0.35	0.5	0.65	0.9	1.25

 Note
In combination with PPS cushioning, the maximum impact energy is still obtained.

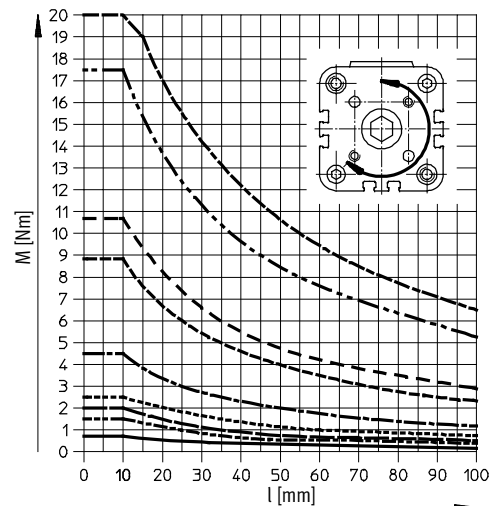
Max. energy conversion capacity [J]					
Piston Ø	32	40	50	63	80
For PPS cushioning	1	1.7	2.8	4.8	8

Max. lateral force F_q as a function of projection x



- Ø 12/16
- - - - - Ø 20/25
- · — · — · — Ø 32
- - - - - Ø 40
- · — · — · — Ø 50/63
- - - - - Ø 80/100

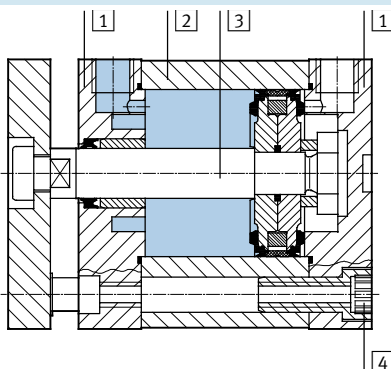
Torque M as a function of stroke length l



- Ø 12/16
- - - - - Ø 20
- · — · — · — Ø 32
- · — · — · — Ø 40
- - - - - Ø 50
- - - - - Ø 63
- - - - - Ø 80
- - - - - Ø 100

Materials

Sectional view



Compact cylinder	Basic version	S6
1 Bearing and end cap	Anodised aluminium	
2 Cylinder barrel	Anodised aluminium	
3 Piston rod	High-alloy steel	
4 Flange screws	Ø 12 ... 16	High-alloy steel
	Ø 20 ... 63	Galvanised steel
	Ø 80 ... 100	Standard screws, galvanised steel
– Seals	Polyurethane	Fluoro elastomer

Compact cylinders ADNGF, standard port pattern

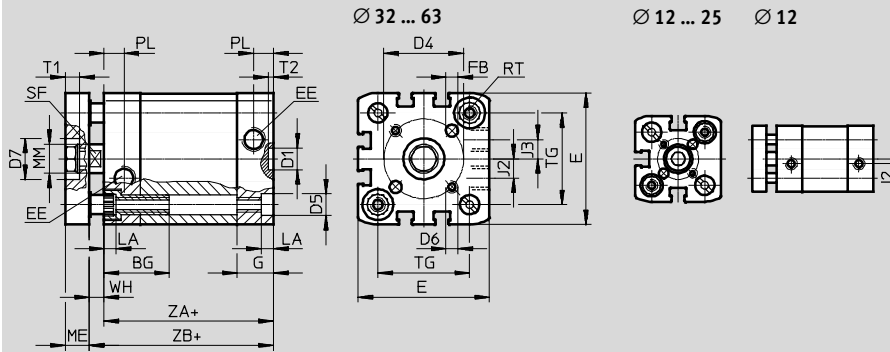
Technical data



Dimensions – Basic version

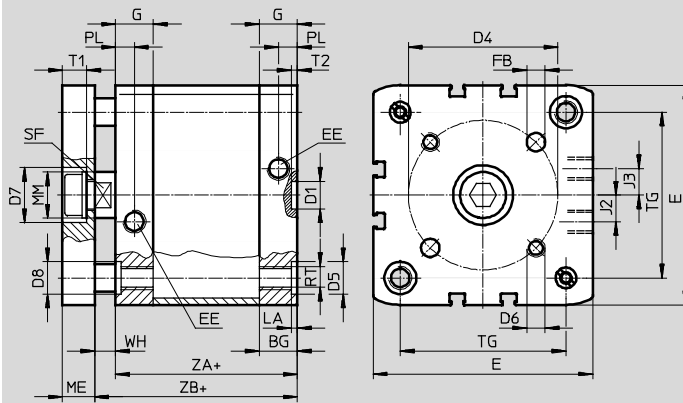
Download CAD data → www.festo.com

∅ 12 ... 63



+ = plus stroke length

∅ 80 ... 100



+ = plus stroke length

∅	BG	D1	D4	D5	D6	D7	D8	E	EE	FB	G	J2	J3
[mm]	min.	∅ H9	±0,1	∅ F9		∅ H9				∅ H8			
12	17	9	12	9	M3	-	-	27.5 ^{+0.3}	M5	3	10.5	2	-
16	14		M4		29 ^{+0.3}			11					
20	19.5		17		M5			35.5 ^{+0.3}		12	2.6		
25	22		14		39.5 ^{+0.3}								
32	26	12	28	12	M6	22	-	47 ^{+0.3}	G1/8	5	15	6	8
40			33		M8			54.5 ^{+0.3}					
50	27	42	M10	65.5 ^{+0.3}	24	14	75.5 ^{+0.3}	8		16.5	11.5		
63	50	15	95.5 ^{+0.6}										
80	17	65	113.5 ^{+0.6}	10	21.5	20							
100	21.5	80											

∅	LA	ME	MM	PL	RT	SF	T1	T2	TG	WH		ZA	ZB										
										∅ h8	+0.2		PPS +1.4	±0.3	+1.2	PPS +1.3							
12	3.5	6	6	6	M4	5	-	-	16	4.2	-	35	39.2	-									
16			8												7	18	4.7	39.7					
20			10												10	M5	9	5	2.1	22	5.5	37	42.5
25																				26			
32	5	10	12	8.2	M6	10	6	-	32.5	6	6.5	44	50	50.6									
40									38	6.1	6.6	45	51.1	51.7									
50									46.5	7.7	8.2	49	52.7	53.2									
63									56.5	7.5	8	54	56.5	57									
80	2.6	14	20	10.5	M10	17	10.5	-	72	8.9	9.4	54	62.9	63.4									
100									89	9	-	67	76	-									

Compact cylinders ADNGF, standard port pattern

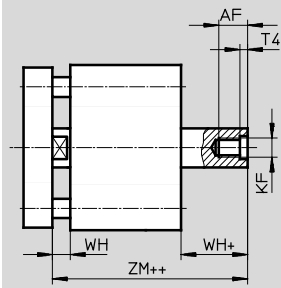
Technical data



Dimensions – Variant

Download CAD data → www.festo.com

S2 – Through piston rod




+ = plus stroke length
++ = plus 2x stroke length

Ø [mm]	AF min.	KF	T4	WH		ZM	
				+1.3	PPS +1.4		PPS
12	8	M3	1.5	4.2	–	44.5 ^{+0.5}	–
16	10	M4		4.7		45.7 ^{+0.5}	
20	14	M6	2.6	5.5	–	49.5 ^{+0.5}	–
25						51.5 ^{+0.5}	
32	16	M8	3.3	6	6.5	57.5 ^{+0.5}	58.6 ^{+0.6}
40				6.1	6.6	58.6 ^{+0.6}	59.7 ^{+0.7}
50	20	M10	4.7	8.2	8.2	62.0 ^{+0.6}	63.1 ^{+0.7}
63				8.1	8	65.4 ^{+0.6}	66.5 ^{+0.7}
80				8.9	9.4	73.2 ^{+0.6}	74.3 ^{+0.7}
100		9	–	86.4 ^{+0.6}	–		

Compact cylinders ADNGF, standard port pattern


Technical data

Ordering data					
Type	Piston Ø [mm]	Stroke [mm] [mm]	P – Flexible cushioning rings/pads at both ends		PPS – Pneumatic cushioning, self-adjusting at both ends
			Part No.	Type	Part No. Type
	12	5	554205	ADNGF-12-5-P-A	–
		10	554206	ADNGF-12-10-P-A	
		15	554207	ADNGF-12-15-P-A	
		20	554208	ADNGF-12-20-P-A	
		25	554209	ADNGF-12-25-P-A	
		30	554210	ADNGF-12-30-P-A	
		40	554211	ADNGF-12-40-P-A	
	16	5	554212	ADNGF-16-5-P-A	–
		10	554213	ADNGF-16-10-P-A	
		15	554214	ADNGF-16-15-P-A	
		20	554215	ADNGF-16-20-P-A	
		25	554216	ADNGF-16-25-P-A	
		30	554217	ADNGF-16-30-P-A	
		40	554218	ADNGF-16-40-P-A	
	20	5	554220	ADNGF-20-5-P-A	–
		10	554221	ADNGF-20-10-P-A	
		15	554222	ADNGF-20-15-P-A	
		20	554223	ADNGF-20-20-P-A	
		25	554224	ADNGF-20-25-P-A	
		30	554225	ADNGF-20-30-P-A	
		40	554226	ADNGF-20-40-P-A	
		50	554227	ADNGF-20-50-P-A	
	25	5	554229	ADNGF-25-5-P-A	–
		10	554230	ADNGF-25-10-P-A	
		15	554231	ADNGF-25-15-P-A	
		20	554232	ADNGF-25-20-P-A	
		25	554233	ADNGF-25-25-P-A	
		30	554234	ADNGF-25-30-P-A	
		40	554235	ADNGF-25-40-P-A	
		50	554236	ADNGF-25-50-P-A	
	32	5	554238	ADNGF-32-5-P-A	–
		10	554239	ADNGF-32-10-P-A	
		15	554240	ADNGF-32-15-P-A	
		20	554241	ADNGF-32-20-P-A	
		25	554242	ADNGF-32-25-P-A	
		30	554243	ADNGF-32-30-P-A	
		40	554244	ADNGF-32-40-P-A	
		50	554245	ADNGF-32-50-P-A	
		60	554246	ADNGF-32-60-P-A	
		80	554247	ADNGF-32-80-P-A	
					574022 ADNGF-32-10-PPS-A
					574023 ADNGF-32-15-PPS-A
					574024 ADNGF-32-20-PPS-A
					574025 ADNGF-32-25-PPS-A
					574026 ADNGF-32-30-PPS-A
					574027 ADNGF-32-40-PPS-A
					574028 ADNGF-32-50-PPS-A
					574029 ADNGF-32-60-PPS-A
					574030 ADNGF-32-80-PPS-A

Compact cylinders ADNGF, standard port pattern

FESTO

Technical data

Ordering data						
Type	Piston Ø [mm]	Stroke [mm] [mm]	P – Flexible cushioning rings/pads at both ends		PPS – Pneumatic cushioning, self-adjusting at both ends	
			Part No.	Type	Part No.	Type
	40	5	554248	ADNGF-40-5-P-A	–	–
		10	554249	ADNGF-40-10-P-A	574031	ADNGF-40-10-PPS-A
		15	554250	ADNGF-40-15-P-A	574032	ADNGF-40-15-PPS-A
		20	554251	ADNGF-40-20-P-A	574033	ADNGF-40-20-PPS-A
		25	554252	ADNGF-40-25-P-A	574034	ADNGF-40-25-PPS-A
		30	554253	ADNGF-40-30-P-A	574035	ADNGF-40-30-PPS-A
		40	554254	ADNGF-40-40-P-A	574036	ADNGF-40-40-PPS-A
		50	554255	ADNGF-40-50-P-A	574037	ADNGF-40-50-PPS-A
		60	554256	ADNGF-40-60-P-A	574038	ADNGF-40-60-PPS-A
	80	554257	ADNGF-40-80-P-A	574039	ADNGF-40-80-PPS-A	
	50	5	554258	ADNGF-50-5-P-A	–	–
		10	554259	ADNGF-50-10-P-A	574040	ADNGF-50-10-PPS-A
		15	554260	ADNGF-50-15-P-A	574041	ADNGF-50-15-PPS-A
		20	554261	ADNGF-50-20-P-A	574042	ADNGF-50-20-PPS-A
		25	554262	ADNGF-50-25-P-A	574043	ADNGF-50-25-PPS-A
		30	554263	ADNGF-50-30-P-A	574044	ADNGF-50-30-PPS-A
		40	554264	ADNGF-50-40-P-A	574045	ADNGF-50-40-PPS-A
		50	554265	ADNGF-50-50-P-A	574046	ADNGF-50-50-PPS-A
		60	554266	ADNGF-50-60-P-A	574047	ADNGF-50-60-PPS-A
	80	554267	ADNGF-50-80-P-A	574048	ADNGF-50-80-PPS-A	
	63	10	554268	ADNGF-63-10-P-A	574049	ADNGF-63-10-PPS-A
		15	554269	ADNGF-63-15-P-A	574050	ADNGF-63-15-PPS-A
		20	554270	ADNGF-63-20-P-A	574051	ADNGF-63-20-PPS-A
		25	554271	ADNGF-63-25-P-A	574052	ADNGF-63-25-PPS-A
		30	554272	ADNGF-63-30-P-A	574053	ADNGF-63-30-PPS-A
		40	554273	ADNGF-63-40-P-A	574054	ADNGF-63-40-PPS-A
		50	554274	ADNGF-63-50-P-A	574055	ADNGF-63-50-PPS-A
		60	554275	ADNGF-63-60-P-A	574056	ADNGF-63-60-PPS-A
		80	554276	ADNGF-63-80-P-A	574057	ADNGF-63-80-PPS-A
	80	10	554277	ADNGF-80-10-P-A	574058	ADNGF-80-10-PPS-A
		15	554278	ADNGF-80-15-P-A	574059	ADNGF-80-15-PPS-A
		20	554279	ADNGF-80-20-P-A	574060	ADNGF-80-20-PPS-A
		25	554280	ADNGF-80-25-P-A	574061	ADNGF-80-25-PPS-A
		30	554281	ADNGF-80-30-P-A	574062	ADNGF-80-30-PPS-A
40		554282	ADNGF-80-40-P-A	574063	ADNGF-80-40-PPS-A	
50		554283	ADNGF-80-50-P-A	574064	ADNGF-80-50-PPS-A	
60		554284	ADNGF-80-60-P-A	574065	ADNGF-80-60-PPS-A	
80		554285	ADNGF-80-80-P-A	574066	ADNGF-80-80-PPS-A	
100	10	554286	ADNGF-100-10-P-A	–	–	
	15	554287	ADNGF-100-15-P-A	–	–	
	20	554288	ADNGF-100-20-P-A	–	–	
	25	554289	ADNGF-100-25-P-A	–	–	
	30	554290	ADNGF-100-30-P-A	–	–	
	40	554291	ADNGF-100-40-P-A	–	–	
	50	554292	ADNGF-100-50-P-A	–	–	
	60	554293	ADNGF-100-60-P-A	–	–	
80	554294	ADNGF-100-80-P-A	–	–		

Compact cylinders ADNGF, standard port pattern

Ordering data – Modular products

M Mandatory data						O Options		
Module No.	Function	Size	Stroke	Cushioning	Position sensing	Piston rod type	Temperature resistance	Captive rating plate
537 123	ADNGF	12	1 ... 400	P	A	S2		
537 124		16						
537 125		20						
537 126		25						
537 127		32						
537 128		40						
537 129		50						
537 130		63						
537 131		80						
537 132		100						
Ordering example								
537 128	ADNGF	- 40	- 250	- P	- A	- S2	- S6	- TL

Ordering table													
Size	12	16	20	25	32	40	50	63	80	100	Condi- tions	Code	Enter code
M Module No.	537 123	537 124	537 125	537 126	537 127	537 128	537 129	537 130	537 131	537 132			
Function	Compact cylinder, double-acting, standard hole pattern											ADNGF	ADNGF
Size [mm]	12	16	20	25	32	40	50	63	80	100		-...	
Stroke [mm]	1 ... 200		3 ... 200		5 ... 300			5 ... 400				-...	
Cushioning	Flexible cushioning rings/pads at both ends											-P	
						Pneumatic cushioning, self-adjusting at both ends						[1]	-PPS
Position sensing	Via proximity sensor											-A	-A
O Piston rod type	Through piston rod											-S2	
Temperature resistance	Heat-resistant seals up to max. 120 °C											[2]	-S6
Captive rating plate	Laser etched rating plate											-TL	

[1] PPS Not with temperature resistance S6

[2] S6 Max. stroke: 250 mm

Transfer order code

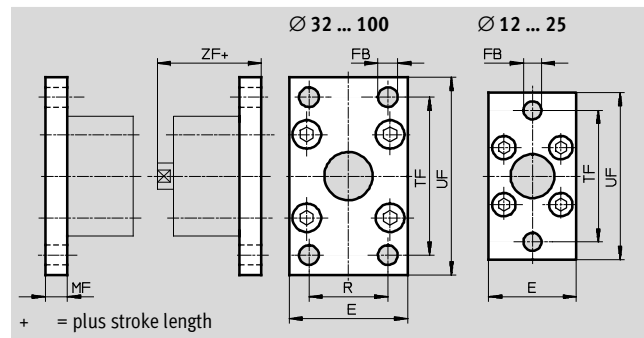
ADNGF - - - - **A** - - - -

Compact cylinders ADNGF, standard port pattern

Accessories

Flange mounting FNC

Material:
Galvanised steel
Free of copper and PTFE
RoHS-compliant



Dimensions and ordering data											
For Ø	E	FB	MF	R	TF	UF	ZF	CRC ¹⁾	Weight	Part No.	Type
[mm]		Ø				±1			[g]		
12	28	5.5	8	-	40	50	48	1	79	537 245	FNC-12
16	29				43	55		1	88	537 246	FNC-16
20	36				55	70		51	1	141	537 247
25	40	6.6			60	76	53	1	165	537 248	FNC-25
32	45	7	10	32	64	80	60	1	221	174 376	FNC-32
40	54	9		36	72	90	61	1	291	174 377	FNC-40
50	65	9	12	45	90	110	65	1	536	174 378	FNC-50
63	75			50	100	120	69	1	679	174 379	FNC-63
80	93			12	63	126	150	79	1	1495	174 380
100	110	14	16	75	150	175	92	1	2041	174 381	FNC-100

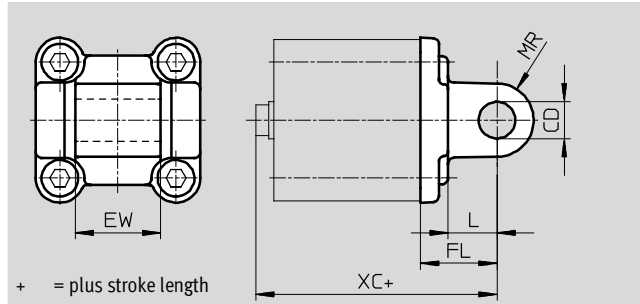
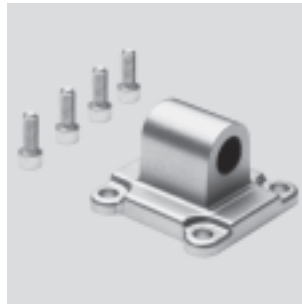
1) Corrosion resistance class 1 to Festo standard 940 070
Components with light corrosion exposure. Protection for transport and storage. Components without significant decorative function or surface, e.g. installed out of sight internally or behind covers.

Compact cylinders ADNGF, standard port pattern

Accessories

Swivel flange SNCL

Material:
 SNCL: Die-cast aluminium
 SNCL-...-R3: Die-cast aluminium with protective coating
 Free of copper and PTFE
 RoHS-compliant



Dimensions and ordering data						
For \varnothing	CD	EW	FL	L	MR	XC
[mm]	\varnothing H9		± 0.2			
12	6	12 _{h12}	16	10	6	56
16						
20	8	16 _{h12}	20	14	8	63
25						65
32	10	26 _{-0.2/-0.6}	22	13	10	72
40	12	28 _{-0.2/-0.6}	25	16	12	76
50		32 _{-0.2/-0.6}	27			80
63	16	40 _{-0.2/-0.6}	32	21	16	89
80		50 _{-0.2/-0.6}	36			22
100	20	60 _{-0.2/-0.6}	41	27	20	117

For \varnothing	Basic version				R3 – High corrosion protection			
	CRC ¹⁾	Weight [g]	Part No.	Type	CRC ¹⁾	Weight [g]	Part No.	Type
[mm]								
12	2	20	537 790	SNCL-12	3	20	537 794	SNCL-12-R3
16	2	25	537 791	SNCL-16	3	25	537 795	SNCL-16-R3
20	2	40	537 792	SNCL-20	3	40	537 796	SNCL-20-R3
25	2	45	537 793	SNCL-25	3	45	537 797	SNCL-25-R3
32	2	85	174 404	SNCL-32	–	–	–	–
40	2	115	174 405	SNCL-40	–	–	–	–
50	2	180	174 406	SNCL-50	–	–	–	–
63	2	270	174 407	SNCL-63	–	–	–	–
80	2	480	174 408	SNCL-80	–	–	–	–
100	2	700	174 409	SNCL-100	–	–	–	–

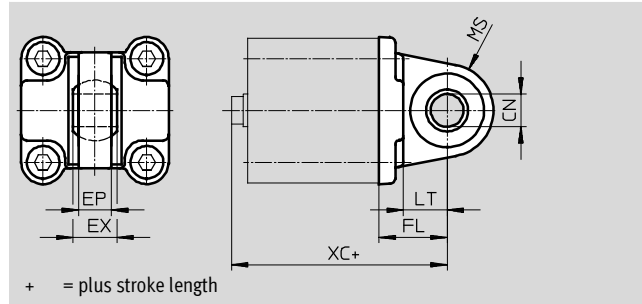
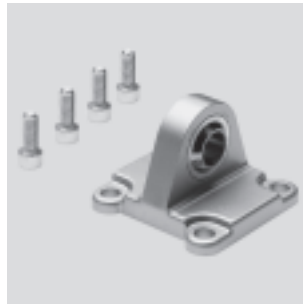
1) Corrosion resistance class 2 to Festo standard 940 070
 Components subject to moderate corrosion stress. Externally visible parts with primarily decorative surface requirements which are in direct contact with a normal industrial environment or media such as coolants or lubricating agents.
 Corrosion resistance class 3 to Festo standard 940 070
 Components requiring higher corrosion resistance. External visible parts in direct contact with industrial atmospheres or media such as solvents and cleaning agents, with a predominantly functional requirement for the surface

Compact cylinders ADNGF, standard port pattern

Accessories

Swivel flange SNCS

Material:
Die-cast aluminium
Free of copper and PTFE
RoHS-compliant



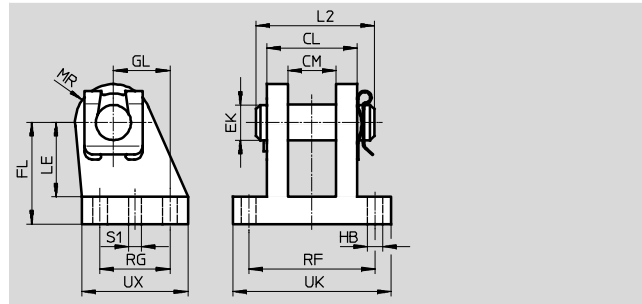
Dimensions and ordering data											
For \varnothing	CN	EP	EX	FL	LT	MS	XC	CRC ¹⁾	Weight	Part No.	Type
[mm]	\varnothing H7	± 0.2		± 0.2					[g]		
32	10	10.5	14	22	13	15	66	2	85	174 397	SNCS-32
40	12	12	16	25	16	17	70	2	125	174 398	SNCS-40
50	16	15	21	27	16	20	72	2	210	174 399	SNCS-50
63	16	15	21	32	21	22	81	2	280	174 400	SNCS-63
80	20	18	25	36	22	27	90	2	540	174 401	SNCS-80
100	20	18	25	41	27	29	108	2	700	174 402	SNCS-100

1) Corrosion resistance class 2 to Festo standard 940 070
Components subject to moderate corrosion stress. Externally visible parts with primarily decorative surface requirements which are in direct contact with a normal industrial environment or media such as coolants or lubricating agents

Clevis foot LBG

The clevis foot is secured against rotation with a dowel pin.

Material:
Nodular graphite cast iron
Free of copper and PTFE
RoHS-compliant



Dimensions and ordering data																		
For \varnothing	CL	CM	EK	FL	GL	HB	L2	LE	MR	RF	RG	S1	UX	CRC ¹⁾	Weight	Part No.	Type	
[mm]	± 0.2		\varnothing			\varnothing						\varnothing			[g]			
32	28	14.1	10	32	16 ± 0.25	6.8	35	24	12	42	20 ± 0.3	4.8	56	36	2	220	31 761	LBG-32
40	30	16.1	12	36	20 ± 0.3	6.8	39	26	14	44	26 ± 0.3	5.8	58	41.5	2	300	31 762	LBG-40
50	40	21.1	16	45	25 ± 0.3	9.2	50	33	15	56	31 ± 0.4	5.8	70	47	2	540	31 763	LBG-50
63	40	21.1	16	50	25 ± 0.3	9	50	38	17	56	31 ± 0.4	7.8	70	45	2	580	31 764	LBG-63
80	50	25.1	20	63	30	11	60	49	18	70	36	7.8	89	55	2	1050	31 765	LBG-80
100	50	25.1	20	71	41	11	60	56	22	70	46	9.8	89	65	2	1375	31 766	LBG-100

1) Corrosion resistance class 2 to Festo standard 940 070
Components subject to moderate corrosion stress. Externally visible parts with primarily decorative surface requirements which are in direct contact with a normal industrial environment or media such as coolants or lubricating agents

Compact cylinders ADNGF, standard port pattern

Accessories

Multi-position kit DPNA

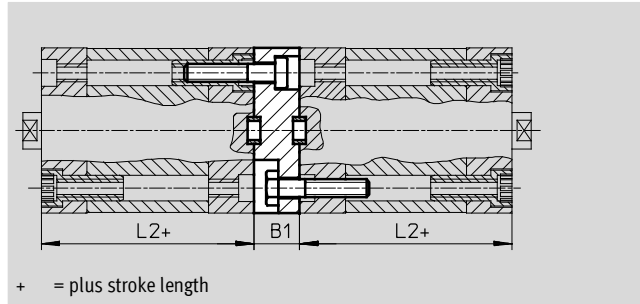
Material:

Flange: Aluminium


Screws: Galvanised steel

Free of copper and PTFE

RoHS-compliant



Dimensions and ordering data					
For Ø	L2	B1	Max. overall stroke length	CRC ¹⁾	Part No. Type
[mm]			[mm]		
12	35	13	600	2	537 263 DPNA-12
16			600	2	537 264 DPNA-16
20	37		600	2	537 265 DPNA-20
25	39		600	2	537 266 DPNA-25
32	44	15	800	2	537 267 DPNA-32
40	45		800	2	537 268 DPNA-40
50			800	2	537 269 DPNA-50
63	49	17	800	2	537 270 DPNA-63
80	54		1000	2	537 271 DPNA-80
100	67		19.5	1000	2

-  - Note
The maximum overall stroke length may not be exceeded when combining cylinders and multi-position kits.

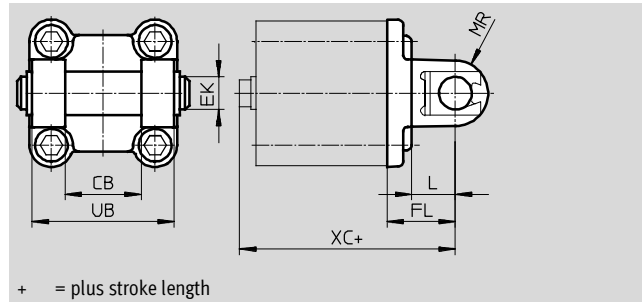
1) Corrosion resistance class 2 to Festo standard 940 070
Components subject to moderate corrosion stress. Externally visible parts with primarily decorative surface requirements which are in direct contact with a normal industrial environment or media such as coolants or lubricating agents

Compact cylinders ADNGF, standard port pattern

Accessories

Swivel flange SNCB/SNCB-...-R3

Material:
SNCB: Die-cast aluminium
SNCB-...-R3: Die-cast aluminium with protective coating, high corrosion protection
Free of copper and PTFE
RoHS-compliant



Dimensions and ordering data							
For \varnothing	CB	EK	FL	L	MR	UB	XC
[mm]	H14	\varnothing e8	± 0.2			h14	
32	26	10	22	13	8.5	45	72
40	28	12	25	16	12	52	76
50	32	12	27	16	12	60	80
63	40	16	32	21	16	70	89
80	50	16	36	22	16	90	99
100	60	20	41	27	20	110	117

For \varnothing [mm]	Basic version				R3 – High corrosion protection			
	CRC ¹⁾	Weight [g]	Part No.	Type	CRC ¹⁾	Weight [g]	Part No.	Type
32	2	103	174 390	SNCB-32	3	100	176 944	SNCB-32-R3
40	2	155	174 391	SNCB-40	3	151	176 945	SNCB-40-R3
50	2	232	174 392	SNCB-50	3	228	176 946	SNCB-50-R3
63	2	375	174 393	SNCB-63	3	371	176 947	SNCB-63-R3
80	2	636	174 394	SNCB-80	3	632	176 948	SNCB-80-R3
100	2	1035	174 395	SNCB-100	3	986	176 949	SNCB-100-R3

1) Corrosion resistance class 2 to Festo standard 940 070
Components subject to moderate corrosion stress. Externally visible parts with primarily decorative surface requirements which are in direct contact with a normal industrial environment or media such as coolants or lubricating agents.
Corrosion resistance class 3 to Festo standard 940 070
Components requiring higher corrosion resistance. External visible parts in direct contact with industrial atmospheres or media such as solvents and cleaning agents, with a predominantly functional requirement for the surface

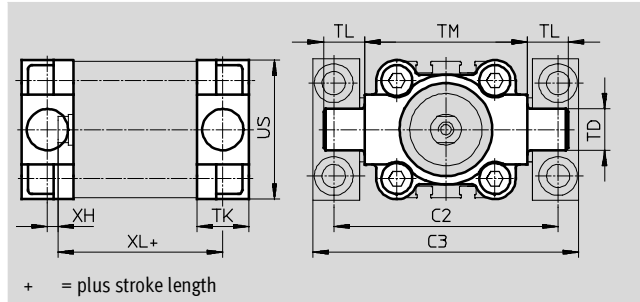
Compact cylinders ADNGF, standard port pattern

Accessories

Trunnion flange ZNCF/CRZNG

Material:

- ZNCF: Special steel casting
- CRZNG: Electrolytically polished special steel casting
- Free of copper and PTFE
- RoHS-compliant



Dimensions and ordering data									
For \varnothing	C2	C3	TD	TK	TL	TM	US	XH	XL
[mm]			\varnothing e9						
32	71	86	12	16	12	50	45	2	52
40	87	105	16	20	16	63	54	4	55
50	99	117	16	24	16	75	64	4	57
63	116	136	20	24	20	90	75	4	61
80	136	156	20	28	20	110	93	5	81
100	164	189	25	38	25	132	110	10	86

For \varnothing	Basic version				R3 – High corrosion protection			
	CRC ¹⁾	Weight [g]	Part No.	Type	CRC ¹⁾	Weight [g]	Part No.	Type
[mm]								
32	2	150	174 411	ZNCF-32	4	150	161 852	CRZNG-32
40	2	285	174 412	ZNCF-40	4	285	161 853	CRZNG-40
50	2	473	174 413	ZNCF-50	4	473	161 854	CRZNG-50
63	2	687	174 414	ZNCF-63	4	687	161 855	CRZNG-63
80	2	1296	174 415	ZNCF-80	4	1296	161 856	CRZNG-80
100	2	2254	174 416	ZNCF-100	4	2254	161 857	CRZNG-100

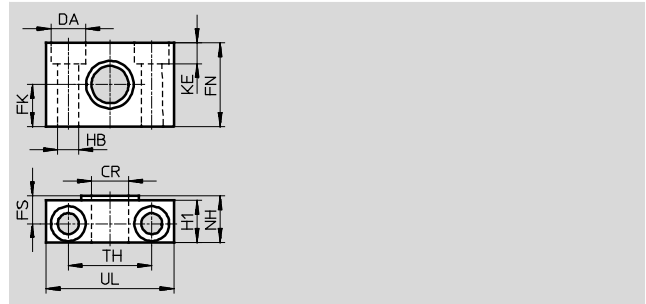
1) Corrosion resistance class 2 to Festo standard 940 070
 Components subject to moderate corrosion stress. Externally visible parts with primarily decorative surface requirements which are in direct contact with a normal industrial environment or media such as coolants or lubricating agents.
 Corrosion resistance class 4 to Festo standard 940 070
 Components requiring higher corrosion resistance. Parts used with aggressive media, e.g. food or chemical industry. These applications should be supported with special tests with the media if required

Compact cylinders ADNGF, standard port pattern

Accessories

Trunnion support LN2G

Material:
 Trunnion support: Anodised aluminium
 Plain bearing: Plastic
 Free of copper and PTFE
 RoHS-compliant





Dimensions and ordering data														Weight	Part No.	Type
For \varnothing	CR	DA	FK	FN	FS	H1	HB	KE	NH	TH	UL	CRC ¹⁾	Weight	Part No.	Type	
[mm]	\varnothing D11	\varnothing H13	\varnothing ± 0.1				\varnothing H13			± 0.2			[g]			
32	12	11	15	30	10.5	15	6.6	6.8	18	32	46	2	83	32 959	LN2G-32	
40, 50	16	15	18	36	12	18	9	9	21	36	55	2	129	32 960	LN2G-40/50	
63, 80	20	18	20	40	13	20	11	11	23	42	65	2	178	32 961	LN2G-63/80	
100	25	20	25	50	16	24.5	14	13	28.5	50	75	2	306	32 962	LN2G-100/125	

1) Corrosion resistance class 2 to Festo standard 940 070
 Components subject to moderate corrosion stress. Externally visible parts with primarily decorative surface requirements which are in direct contact with a normal industrial environment or media such as coolants or lubricating agents

Compact cylinders ADNGF, standard port pattern

FESTO

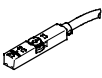
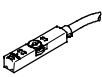
Accessories

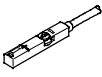


Ordering data – One-way flow control valves				Technical data → Internet: grl	
	Connection		Material	Part No.	Type
	For Ø	For tubing O.D.			
For exhaust air					
	12, 16, 20, 25	3	Metal design	193 137	GRLA-M5-QS-3-D
		4		193 138	GRLA-M5-QS-4-D
		6		193 139	GRLA-M5-QS-6-D
	32, 40, 50, 63, 80, 100	3		193 142	GRLA-1/8-QS-3-D
		4		193 143	GRLA-1/8-QS-4-D
		6		193 144	GRLA-1/8-QS-6-D
		8		193 145	GRLA-1/8-QS-8-D
		For supply air			
	12, 16, 20, 25	3	Metal design	193 153	GRLZ-M5-QS-3-D
		4		193 154	GRLZ-M5-QS-4-D
		6		193 155	GRLZ-M5-QS-6-D
	32, 40, 50, 63, 80, 100	3		193 156	GRLZ-1/8-QS-3-D
		4		193 157	GRLZ-1/8-QS-4-D
		6		193 158	GRLZ-1/8-QS-6-D
		8		193 159	GRLZ-1/8-QS-8-D



Compact cylinders ADNGF, standard port pattern

Accessories

FESTO

Ordering data – Proximity sensors for T-slot, magneto-resistive					Technical data → Internet: smt	
	Type of mounting	Switch output	Electrical connection	Cable length [m]	Part No.	Type
N/O contact						
	Insertable in the slot from above, flush with cylinder profile, short design	PNP	Cable, 3-wire	2.5	574335	SMT-8M-A-PS-24V-E-2,5-OE
			Plug M8x1, 3-pin	0.3	574334	SMT-8M-A-PS-24V-E-0,3-M8D
			Plug M12x1, 3-pin	0.3	574337	SMT-8M-A-PS-24V-E-0,3-M12
		NPN	Cable, 3-wire	2.5	574338	SMT-8M-A-NS-24V-E-2,5-OE
			Plug M8x1, 3-pin	0.3	574339	SMT-8M-A-NS-24V-E-0,3-M8D
N/C contact						
	Insertable in the slot from above, flush with cylinder profile, short design	PNP	Cable, 3-wire	7.5	574340	SMT-8M-A-PO-24V-E-7,5-OE

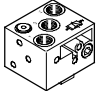
Ordering data – Proximity sensors for T-slot, magnetic reed					Technical data → Internet: sme		
	Type of mounting	Switch output	Electrical connection	Cable length [m]	Part No.	Type	
N/O contact							
	Insertable in the slot from above, flush with cylinder profile	Contacting	Cable, 3-wire	2.5	543 862	SME-8M-DS-24V-K-2,5-OE	
				5.0	543 863	SME-8M-DS-24V-K-5,0-OE	
			Plug M8x1, 3-pin	Cable, 2-wire	2.5	543 872	SME-8M-ZS-24V-K-2,5-OE
				0.3	543 861	SME-8M-DS-24V-K-0,3-M8D	
	Insertable in the slot lengthwise, flush with the cylinder profile	Contacting	Cable, 3-wire	2.5	150 855	SME-8-K-LED-24	
			Plug M8x1, 3-pin	0.3	150 857	SME-8-S-LED-24	
N/C contact							
	Insertable in the slot lengthwise, flush with the cylinder profile	Contacting	Cable, 3-wire	7.5	160 251	SME-8-O-K-LED-24	

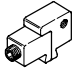
Ordering data – Connecting cables				Technical data → Internet: nebu	
	Electrical connection, left	Electrical connection, right	Cable length [m]	Part No.	Type
	Straight socket, M8x1, 3-pin	Cable, open end, 3-wire	2.5	541 333	NEBU-M8G3-K-2.5-LE3
			5	541 334	NEBU-M8G3-K-5-LE3
	Straight socket, M12x1, 5-pin	Cable, open end, 3-wire	2.5	541 363	NEBU-M12G5-K-2.5-LE3
			5	541 364	NEBU-M12G5-K-5-LE3
	Angled socket, M8x1, 3-pin	Cable, open end, 3-wire	2.5	541 338	NEBU-M8W3-K-2.5-LE3
			5	541 341	NEBU-M8W3-K-5-LE3
	Angled socket, M12x1, 5-pin	Cable, open end, 3-wire	2.5	541 367	NEBU-M12W5-K-2.5-LE3
			5	541 370	NEBU-M12W5-K-5-LE3

Compact cylinders ADNGF, standard port pattern

FESTO

Accessories

Ordering data – Rectangular proximity sensors, pneumatic		Technical data → Internet: smpo	
Pneumatic connection		Part No.	Type
3/2-way valve, normally closed			
	Female thread M5	178 563	SMPO-8E

Ordering data – Mounting kit for proximity sensors SMPO-8E		Technical data → Internet: smb	
Assembly		Part No.	Type
	Clamped in T-slot	178 230	SMB-8E

Ordering data – Slot cover for T-slot				
Assembly		Length	Part No.	Type
	Insertable from above	2x 0.5 m	151 680	ABP-5-S