

Hand lever valves VHER, NPT



Hand lever valves VHER, NPT

Key features

FESTO



Powerful

Flow rate
600 ... 4,300 l/min

Versatile

- 4/3-way valve
Mid-position closed
Mid-position exhausted
- Connection NPT $\frac{1}{8}$ -27, NPT $\frac{1}{4}$ -18, NPT $\frac{1}{2}$ -14
- 3/3-way valve
The hand lever valve VHER can be used as a 3/3-way valve by sealing port 2

Practical

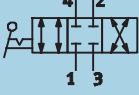
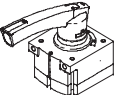
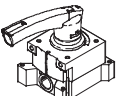
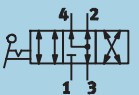
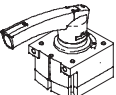
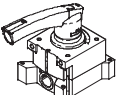
These valves can be used to stop single-acting cylinders (3/3-way valve) or double-acting cylinders (4/3-way valve) within the stroke range.

With the mid-position closed, the drive piston moves until the forces are balanced.

With the mid-position exhausted, the piston can be moved manually (only the frictional forces have to be overcome).

Hand lever valves VHER, NPT

Product range overview

Function	Version	Type	Nominal flow rate	Lever		Connection size			→ Page/ Internet
			[l/min]	Small	Large	NPT ¹ / ₈ -27	NPT ¹ / ₄ -18	NPT ¹ / ₂ -14	
	Port underneath								
		VHER-AH-M04C-N18-UD	800	■	-	■	-	-	7
		VHER-AH-M04C-N14-UD	1,500	-	■	-	■	-	
		VHER-AH-M04C-N12-UD	4,300	-	■	-	-	■	
	Port at side								
		VHER-AH-M04C-N18-LD	600	■	-	■	-	-	7
VHER-AH-M04C-N14-LD		1,150	-	■	-	■	-		
VHER-AH-M04C-N12-LD		3,500	-	■	-	-	■		
	Port underneath								
		VHER-AH-M04E-N18-UD	800	■	-	■	-	-	7
		VHER-AH-M04E-N14-UD	1,500	-	■	-	■	-	
		VHER-AH-M04E-N12-UD	4,300	-	■	-	-	■	
	Port at side								
		VHER-AH-M04E-N18-LD	600	■	-	■	-	-	7
VHER-AH-M04E-N14-LD		1,150	-	■	-	■	-		
VHER-AH-M04E-N12-LD		3,500	-	■	-	-	■		

Hand lever valves VHER, NPT

Type codes

Type	
VHER	Hand lever valve with detent

Design	
AH	Metal lever

Valve function	
M04C	4/3-way valve, mid-position closed
M04E	4/3-way valve, mid-position exhausted

Connection size	
N18	NPT $\frac{1}{8}$ -27
N14	NPT $\frac{1}{4}$ -18
N12	NPT $\frac{1}{2}$ -14

Type of connection	
LD	To the side
UD	Underneath

Hand lever valves VHER, NPT

Overview of peripherals

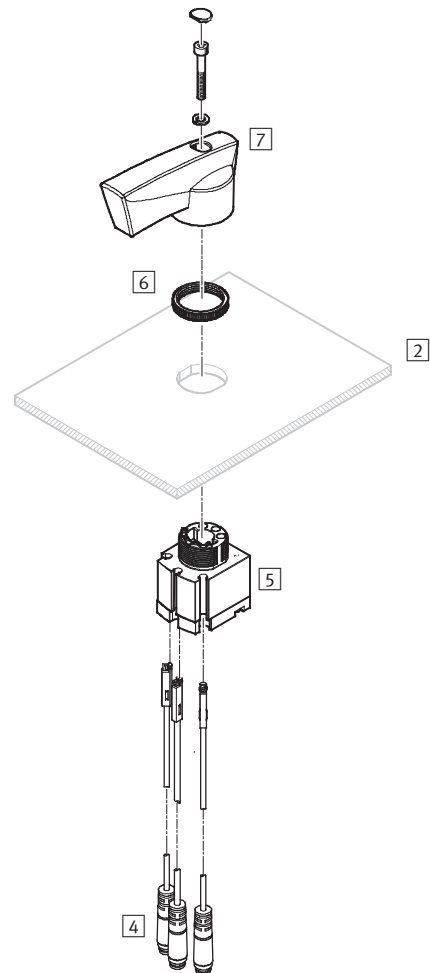
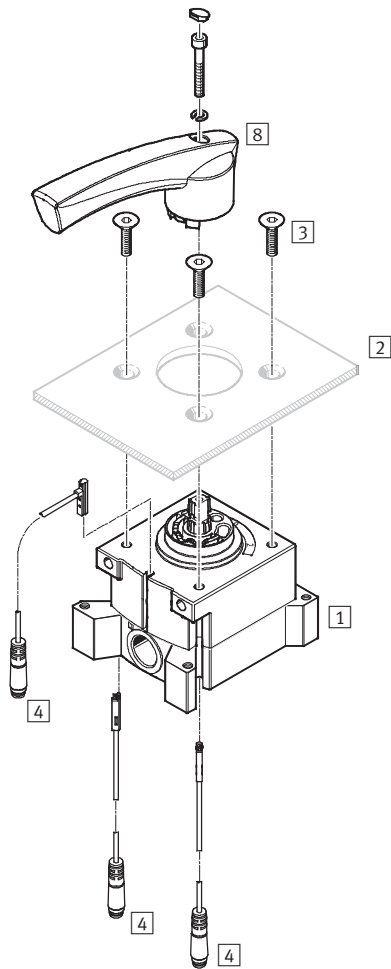
Control panel installation

Connection size (large): VHER...N14-LD, VHER...N12-LD

Type of connection: To the side

Connection size (small): VHER...N18-UD

Type of connection: Underneath



Component parts and accessories	Brief description	→ Page/Internet
1 Hand lever valve VHER	Connection size NPT $\frac{1}{4}$ -18 and NPT $\frac{1}{2}$ -14	7
2 Control panel	Not included in the scope of delivery	-
3 Mounting screws	Not included in the scope of delivery	-
4 Proximity sensors SME-10-... L, SME-10-... Q	Not included in the scope of delivery	sme
5 Hand lever valve VHER	Connection size NPT $\frac{1}{8}$ -27	7
6 Knurled nut	Control panel mounting	-
7 Actuating lever	Small, metal	
8 Actuating lever	Large, metal	

Hand lever valves VHER, NPT

Overview of peripherals

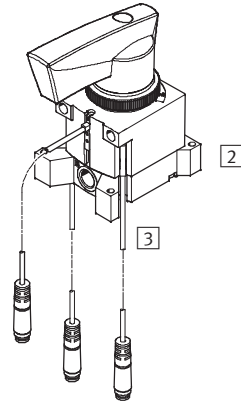
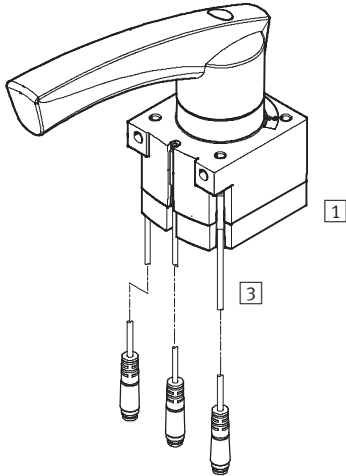
Assembled valves with accessories

Connection size (large): VHER...N14-UD, VHER...N12-UD

Type of connection: Underneath

Connection size (small): VHER...N18-LD

Type of connection: To the side



Component parts and accessories	Brief description	→ Page/Internet
1 Hand lever valve VHER	Connection size NPT $\frac{1}{4}$ -18 and NPT $\frac{1}{2}$ -14 with metal lever	7
2 Hand lever valve VHER	Connection size NPT $\frac{1}{8}$ -27 with metal lever	7
3 Proximity sensors SME-10-... L, SME-10-... Q	Not included in the scope of delivery	sme

Hand lever valves VHER, NPT

Technical data – VHER with metal lever

Flow rate
600 ... 4,300 l/min

Pressure
-0.95 ... +10 bar

Temperature range
-20 ... +80 °C



General technical data					
Connection size		NPT $\frac{1}{8}$ -27	NPT $\frac{1}{4}$ -18	NPT $\frac{1}{2}$ -14	
Valve function	4/3-way, closed or exhausted				
Design	Rotary slide valve				
Sealing principle	Hard				
Type of mounting	Option of front panel mounting or via through-holes				
Type of control	Direct				
Actuation type	Manual				
Actuating lever	Metal				
Switching position display	Via accessories				
Mounting position	Any				
Direction of flow	Reversible				
Non-overlapping	Yes				
Exhaust function	Flow control				
Standard nominal flow rate	Port at side	[l/min]	600	1,150	3,500
	Port underneath	[l/min]	800	1,500	4,300
Nominal size		[mm]	6	8	12
Pneumatic connection 1,2,3,4			NPT $\frac{1}{8}$ -27	NPT $\frac{1}{4}$ -18	NPT $\frac{1}{2}$ -14
Actuating torque at 10 bar		[Nm]	1.1	2.8	5

Operating and environmental conditions	
Operating medium	Compressed air in accordance with ISO 8573-1:2010 [7:4:4]
Note on operating/pilot medium	Operation with lubricated medium possible (in which case lubricated operation will always be required)
Operating pressure	[bar] -0.95 ... 10
Ambient temperature	[°C] -20 ... +80
Corrosion resistance	[CRC] 2 ¹⁾

1) Corrosion resistance class 2 according to Festo standard 940 070
Components subject to moderate corrosion stress. Externally visible parts with primarily decorative surface requirements which are in direct contact with a normal industrial environment or media such as coolants or lubricating agents.

Proximity sensors for switching position display			
Connection size	Connection direction	Type	
		SME-10-... L	SME-10-... Q
NPT $\frac{1}{8}$ -27	Underneath (UD)	■	■
	At the side (LD)	-	■
NPT $\frac{1}{4}$ -18	Underneath	■	■
	At the side	-	■
NPT $\frac{1}{2}$ -14	Underneath	■	■
	At the side	-	■

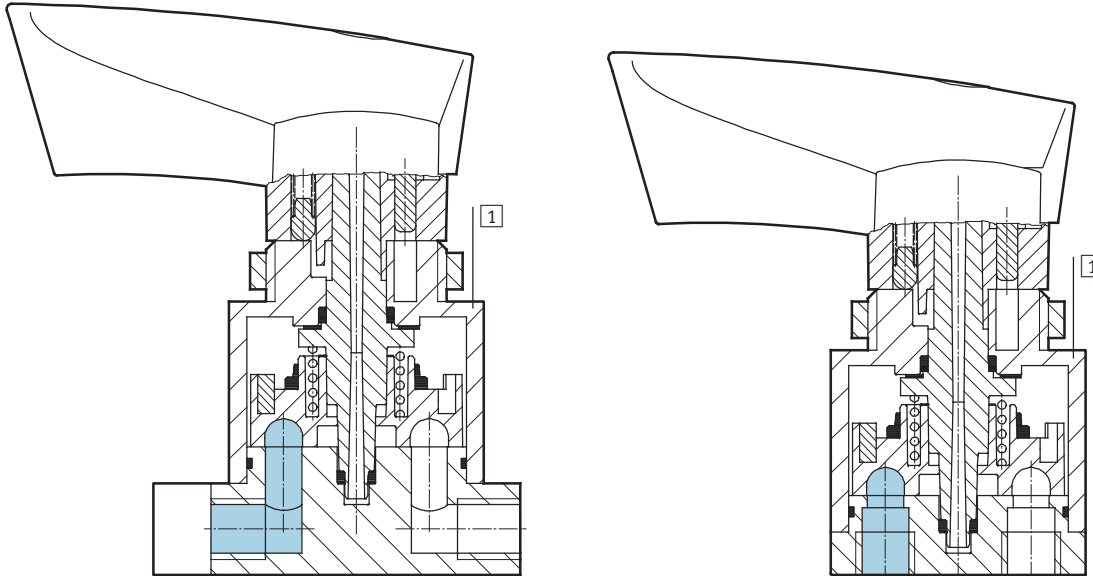
Hand lever valves VHER, NPT

Technical data – VHER with metal lever

FESTO

Sectional view

Hand lever valve VHER-AH



Materials

1	Housing	Die-cast aluminium
-	Seals	Nitrile rubber
-		Contains PWIS (paint wetting impairment substances)
-		Free of copper and PTFE

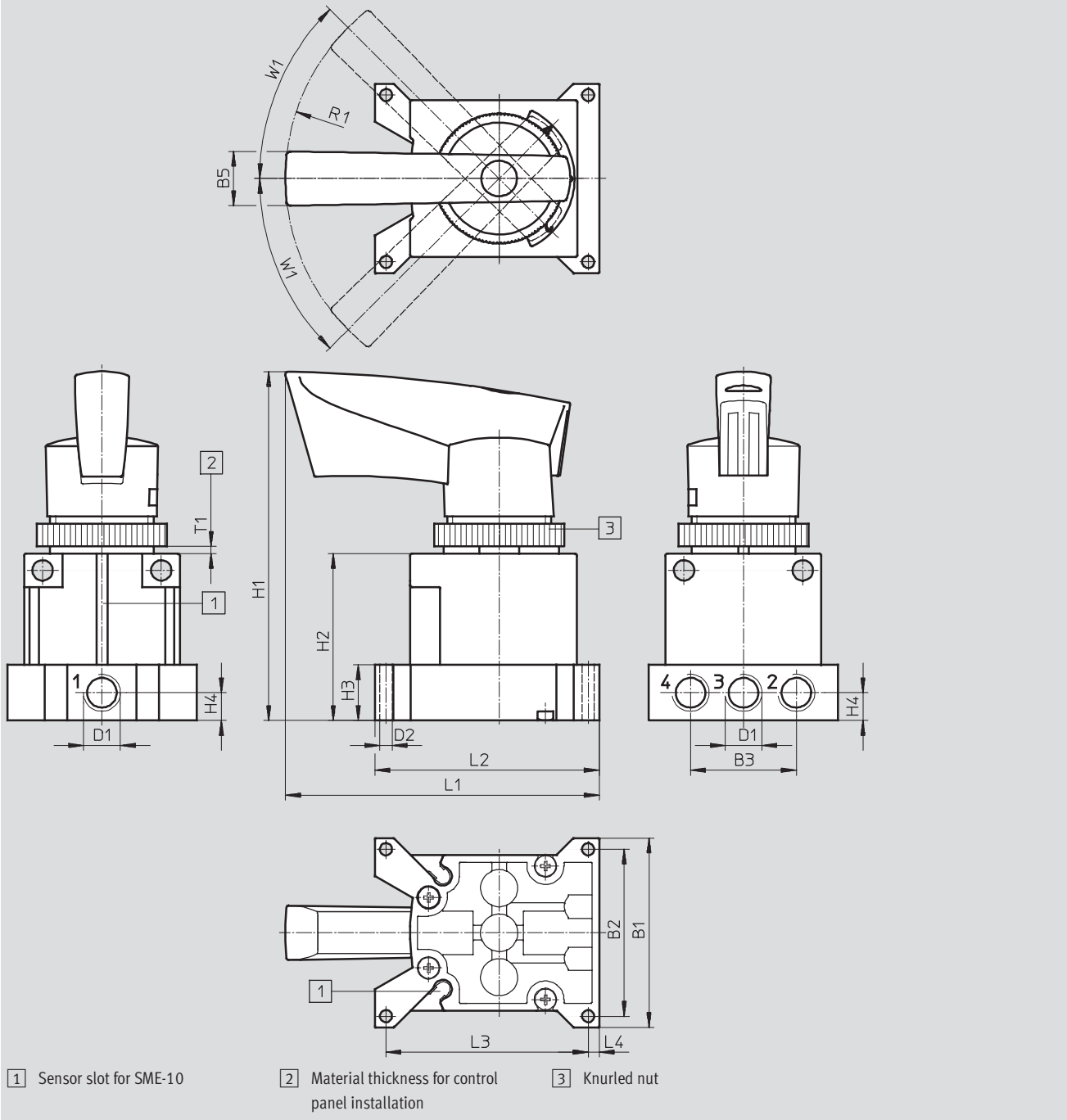
Hand lever valves VHER, NPT

Technical data – VHER with metal lever

Dimensions

Download CAD Data → www.festo.com/us/cad

Pneumatic connection NPT $\frac{1}{8}$ -27, at the side



Type	B1	B2	B3	D1	D2 ∅	H1	H2	H3	H4	L1	L2	L3	L4	T1
VHER-AH-...-N18-LD	51	45	28.5	1/8NPT	3	94	45	15	7.5	85	60.5	54.5	3	2 ... 4

Hand lever valves VHER, NPT

Technical data – VHER with metal lever

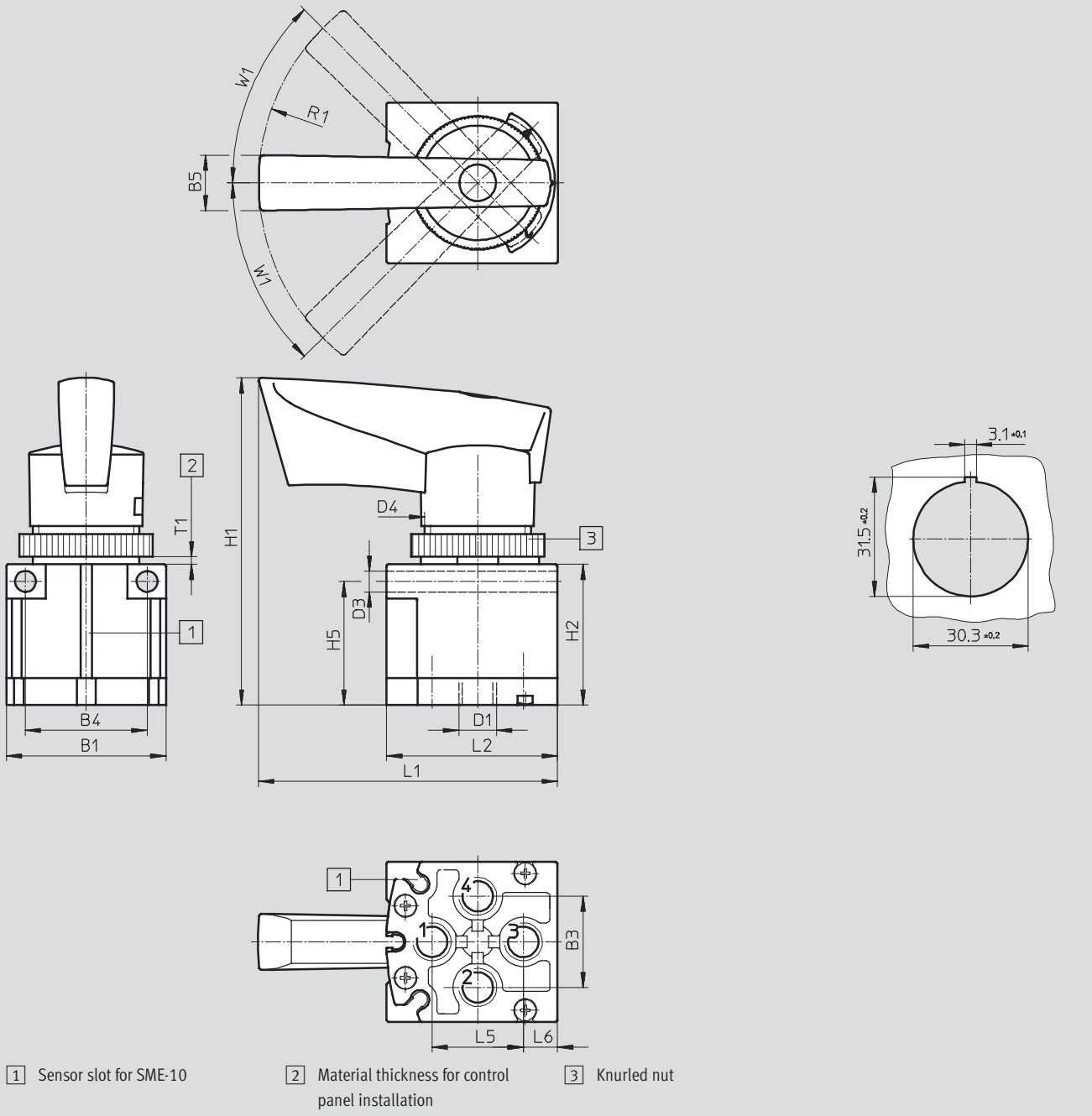


Dimensions

Download CAD Data → www.festo.com/us/cad

Pneumatic connection NPT $\frac{1}{8}$ -27, underneath

Mounting aperture



Type	B1	B3	B4	D1	D3 Ø	D4	H1	H2	H5	L1	L2	L5	L6	T1
VHER-AH-...-N18-UD	42	24	32	1/8NPT	5.5	M30	87	37	32.5	79	45	24	9	2 ... 4

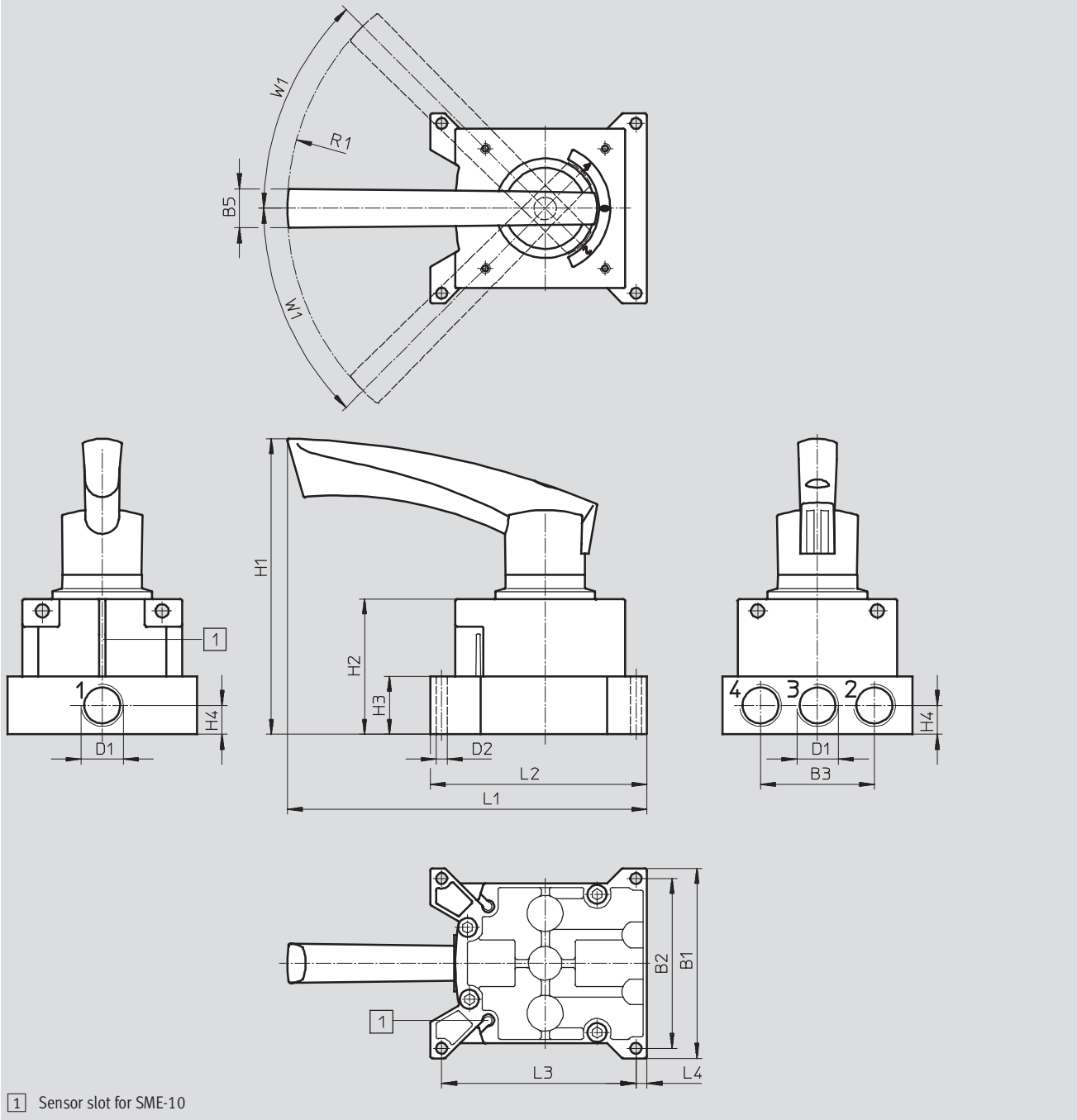
Hand lever valves VHER, NPT

Technical data – VHER with metal lever

Dimensions

Download CAD Data → www.festo.com/us/cad

Pneumatic connection NPT $\frac{1}{4}$ -18 and NPT $\frac{1}{2}$ -14, at the side



Type	B1	B2	B3	D1	D2 Ø	H1	H2	H3	H4	L1	L2	L3	L4
VHER-AH-...-N14-LD	66	57.5	37.5	1/4NPT	4.5	136	56	20.5	10.3	165	77	69.2	4
VHER-AH-...-N12-LD	95	85	57	1/2NPT	5.5	149	68	29	14.5	180	108.5	97.3	5.5

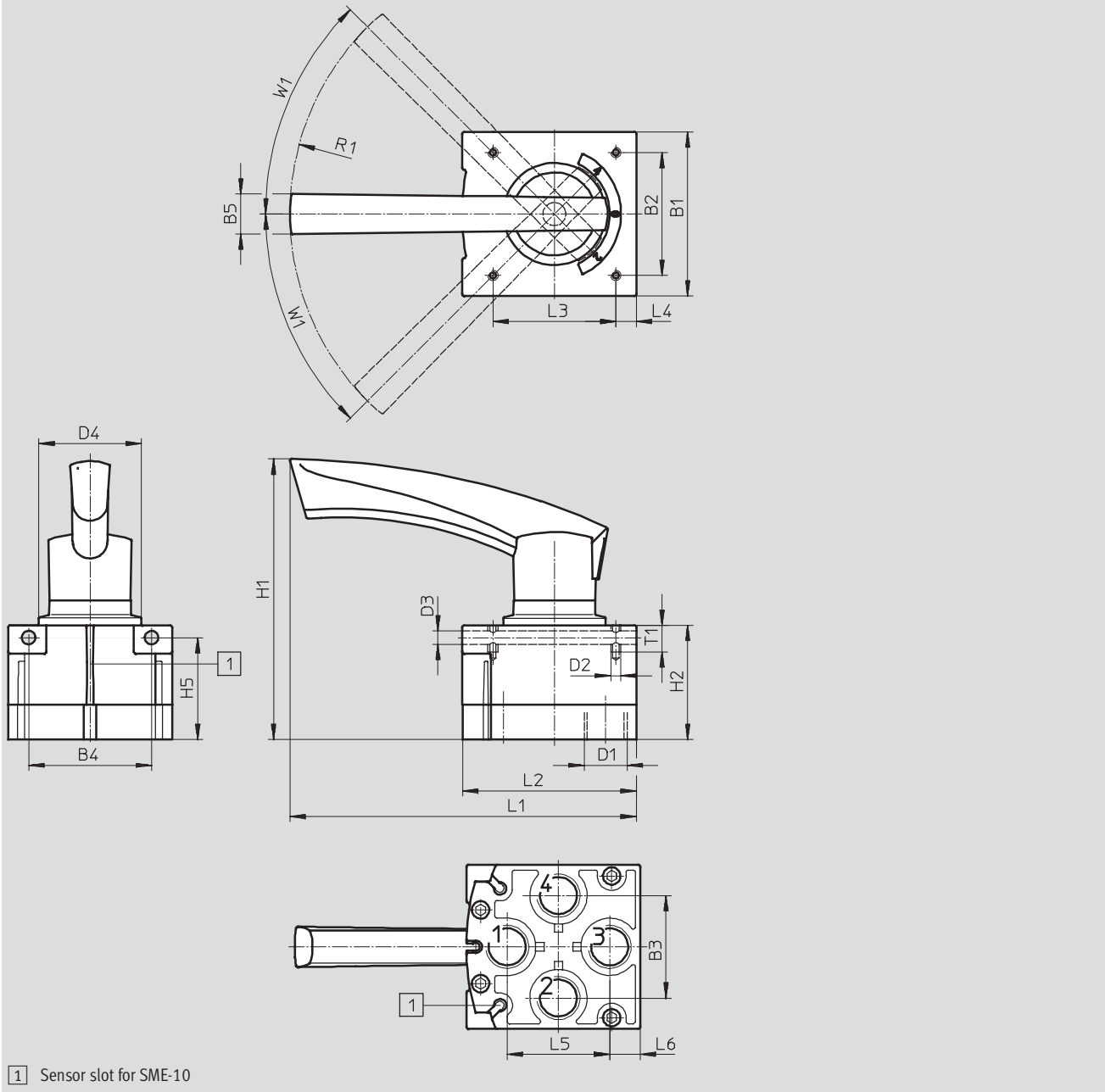
Hand lever valves VHER, NPT

Technical data – VHER with metal lever

Dimensions

Download CAD Data → www.festo.com/us/cad

Pneumatic connection NPT $\frac{1}{4}$ -18 and NPT $\frac{1}{2}$ -14, underneath



Type	B1	B2	B3	B4	D1	D2	D3 ∅	D4 ∅	H1	H2	H5	L1	L2	L3	L4	L5	L6	T1
VHER-AH-...-N14-UD	56	42	33	42	1/4NPT	M5	5.5	40	130	49	43.5	157	60	42	7.2	33	11.4	12
VHER-AH-...-N12-UD	80	60	50	60	1/2NPT	M6	6.4	50	137	55.8	49.8	169	85	60	10	50	15	13

Hand lever valves VHER, NPT

Accessories


Ordering data								
Circuit symbol	Description	Weight [g]	Connection direction	Connection size	Part No.	Type		
4/3-way valve ¹⁾								
	Mid-position closed	260	At the side	NPT ¹ / ₈ -27	545260	VHER-AH-M04C-N18-LD		
		560		NPT ¹ / ₄ -18	545264	VHER-AH-M04C-N14-LD		
		1,010		NPT ¹ / ₂ -14	545268	VHER-AH-M04C-N12-LD		
				220	Underneath	NPT ¹ / ₈ -27	545261	VHER-AH-M04C-N18-UD
				510		NPT ¹ / ₄ -18	545265	VHER-AH-M04C-N14-UD
				860		NPT ¹ / ₂ -14	545269	VHER-AH-M04C-N12-UD
	Mid-position exhausted	260	At the side	NPT ¹ / ₈ -27	545262	VHER-AH-M04E-N18-LD		
		560		NPT ¹ / ₄ -18	545266	VHER-AH-M04E-N14-LD		
		1,010		NPT ¹ / ₂ -14	545270	VHER-AH-M04E-N12-LD		
				220	Underneath	NPT ¹ / ₈ -27	545263	VHER-AH-M04E-N18-UD
				510		NPT ¹ / ₄ -18	545267	VHER-AH-M04E-N14-UD
				860		NPT ¹ / ₂ -14	545271	VHER-AH-M04E-N12-UD

1) The hand lever valve can be used as a 3/3-way valve by sealing port 2.

Hand lever valves VHER, NPT

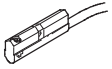
Accessories

FESTO

Ordering data					
Description		Pneumatic connection		Part No.	Type
Blanking plug					
	For sealing ports	NPT $\frac{1}{8}$ -27		173985	B- $\frac{1}{8}$ -NPT
		NPT $\frac{1}{2}$ -14		31785	B- $\frac{1}{2}$ -NPT

Ordering data QS fittings					
Part No.	Type	Part No.	Type	Part No.	Type
VHER-...-N18-UD		VHER-...-N14-UD		VHER-...-N12-UD	
533271	QS- $\frac{1}{8}$ - $\frac{5}{32}$ -U	567772	QS- $\frac{1}{4}$ - $\frac{5}{32}$ -U	533283	QS- $\frac{1}{2}$ - $\frac{3}{8}$ -U
153903	QSM- $\frac{1}{8}$ - $\frac{1}{8}$ -U	533275	QS- $\frac{1}{4}$ - $\frac{3}{16}$ -U	533284	QS- $\frac{1}{2}$ - $\frac{1}{2}$ -U
190677	QSM- $\frac{1}{8}$ - $\frac{5}{32}$ -U	533276	QS- $\frac{1}{4}$ - $\frac{1}{4}$ -U	190698	QS- $\frac{1}{2}$ - $\frac{1}{2}$ -U
190688	QS- $\frac{1}{8}$ - $\frac{5}{32}$ -I-U	533277	QS- $\frac{1}{4}$ - $\frac{5}{16}$ -U		
190690	QS- $\frac{1}{8}$ - $\frac{1}{4}$ -I-U	190692	QS- $\frac{1}{4}$ - $\frac{1}{4}$ -I-U		
190691	QS- $\frac{1}{8}$ - $\frac{5}{16}$ -I-U	190693	QS- $\frac{1}{4}$ - $\frac{5}{16}$ -I-U		
190685	QSM- $\frac{1}{8}$ - $\frac{5}{32}$ -I-U	190694	QS- $\frac{1}{4}$ - $\frac{3}{8}$ -I-U		
190689	QSM- $\frac{1}{8}$ - $\frac{3}{16}$ -I-U	190680	QSM- $\frac{1}{4}$ - $\frac{1}{8}$ -U		
VHER-...-N18-LD		VHER-...-N14-LD		VHER-...-N12-LD	
190688	QS- $\frac{1}{8}$ - $\frac{5}{32}$ -I-U	190692	QS- $\frac{1}{4}$ - $\frac{1}{4}$ -I-U	190698	QS- $\frac{1}{2}$ - $\frac{1}{2}$ -I-U
190690	QS- $\frac{1}{8}$ - $\frac{1}{4}$ -I-U	190693	QS- $\frac{1}{4}$ - $\frac{5}{16}$ -I-U		
		190694	QS- $\frac{1}{4}$ - $\frac{3}{8}$ -I-U		

Ordering data Silencers					
Part No.	Type	Part No.	Type	Part No.	Type
VHER-...-N18-UD		VHER-...-N14-UD		VHER-...-N12-UD	
12638	U- $\frac{1}{8}$ -B-NPT	12639	U- $\frac{1}{4}$ -B-NPT	12741	U- $\frac{1}{2}$ -B-NPT
161419	UC- $\frac{1}{8}$	165004	UC- $\frac{1}{4}$		
VHER-...-N18-LD		VHER-...-N14-LD		VHER-...-N12-LD	
161419	UC- $\frac{1}{8}$	165004	UC- $\frac{1}{4}$	12741	U- $\frac{1}{2}$ -B-NPT
		12639	U- $\frac{1}{4}$ -B-NPT		

Ordering data Proximity sensors for VHER						
	Electrical connection		Cable length [m]	Connection direction	Part No.	Type
	Cable	Plug M8x1				
	N/O contact		2.5	In-line	173210	SME-10-KL-LED-24
	3-wire	-				
	-	3-pin	0.3	In-line	173212	SME-10-SL-LED-24
			Lateral	173211	SME-10-KQ-LED-24	
			Lateral	173213	SME-10-SQ-LED-24	

Product Range and Company Overview

A Complete Suite of Automation Services

Our experienced engineers provide complete support at every stage of your development process, including: conceptualization, analysis, engineering, design, assembly, documentation, validation, and production.



Custom Automation Components
Complete custom engineered solutions



Custom Control Cabinets
Comprehensive engineering support and on-site services



Complete Systems
Shipment, stocking and storage services

The Broadest Range of Automation Components

With a comprehensive line of more than 30,000 automation components, Festo is capable of solving the most complex automation requirements.



Electromechanical
Electromechanical actuators, motors, controllers & drives



Pneumatics
Pneumatic linear and rotary actuators, valves, and air supply



PLCs and I/O Devices
PLC's, operator interfaces, sensors and I/O devices

Supporting Advanced Automation... As No One Else Can!

Festo is a leading global manufacturer of pneumatic and electromechanical systems, components and controls for industrial automation, with more than 12,000 employees in 56 national headquarters serving more than 180 countries. For more than 80 years, Festo has continuously elevated the state of manufacturing with innovations and optimized motion control solutions that deliver higher performing, more profitable automated manufacturing and processing equipment. Our dedication to the advancement of automation extends beyond technology to the education and development of current and future automation and robotics designers with simulation tools, teaching programs, and on-site services.

Quality Assurance, ISO 9001 and ISO 14001 Certifications

Festo Corporation is committed to supply all Festo products and services that will meet or exceed our customers' requirements in product quality, delivery, customer service and satisfaction.

To meet this commitment, we strive to ensure a consistent, integrated, and systematic approach to management that will meet or exceed the requirements of the ISO 9001 standard for Quality Management and the ISO 14001 standard for Environmental Management.



© Copyright 2008, Festo Corporation. While every effort is made to ensure that all dimensions and specifications are correct, Festo cannot guarantee that publications are completely free of any error, in particular typing or printing errors. Accordingly, Festo cannot be held responsible for the same. For Liability and Warranty conditions, refer to our "Terms and Conditions of Sale", available from your local Festo office. All rights reserved. No part of this publication may be reproduced, distributed, or transmitted in any form or by any means, electronic, mechanical, photocopying or otherwise, without the prior written permission of Festo. All technical data subject to change according to technical update.



Printed on recycled paper at New Horizon Graphic, Inc., FSC certified as an environmentally friendly printing plant.

Festo North America

Festo Regional Contact Center

5300 Explorer Drive
Mississauga, Ontario L4W 5G4
Canada

USA Customers:

For ordering assistance,

Call: 1.800.99.FESTO (1.800.993.3786)

Fax: 1.800.96.FESTO (1.800.963.3786)

Email: customer.service@us.festo.com

For technical support,

Call: 1.866.GO.FESTO (1.866.463.3786)

Fax: 1.800.96.FESTO (1.800.963.3786)

Email: product.support@us.festo.com

Canadian Customers:

Call: 1.877.GO.FESTO (1.877.463.3786)

Fax: 1.877.FX.FESTO (1.877.393.3786)

Email: festo.canada@ca.festo.com

USA Headquarters

Festo Corporation
395 Moreland Road
P.O. Box 18023
Hauppauge, NY 11788, USA
www.festo.com/us

USA Sales Offices

Appleton

North 922 Tower View Drive, Suite N
Greenville, WI 54942, USA

Boston

120 Presidential Way, Suite 330
Woburn, MA 01801, USA

Chicago

1441 East Business Center Drive
Mt. Prospect, IL 60056, USA

Dallas

1825 Lakeway Drive, Suite 600
Lewisville, TX 75057, USA

Detroit – Automotive Engineering Center

2601 Cambridge Court, Suite 320
Auburn Hills, MI 48326, USA

New York

395 Moreland Road
Hauppauge, NY 11788, USA

Silicon Valley

4935 Southfront Road, Suite F
Livermore, CA 94550, USA

United States



USA Headquarters, East: Festo Corp., 395 Moreland Road, Hauppauge, NY 11788

Phone: 1.631.435.0800; Fax: 1.631.435.8026;

Email: info@festo-usa.com

www.festo.com/us

Canada



Headquarters: Festo Inc., 5300 Explorer Drive, Mississauga, Ontario L4W 5G4

Phone: 1.905.624.9000; Fax: 1.905.624.9001;

Email: festo.canada@ca.festo.com

www.festo.ca

Mexico



Headquarters: Festo Pneumatic, S.A., Av. Ceylán 3, Col. Tequesquahuac,
54020 Tlalnequahuac, Edo. de México

Phone: 011 52 [55] 53 21 66 00; Fax: 011 52 [55] 53 21 66 65;

Email: festo.mexico@mx.festo.com

www.festo.com/mx

Central USA

Festo Corporation
1441 East Business
Center Drive
Mt. Prospect, IL 60056, USA
Phone: 1.847.759.2600
Fax: 1.847.768.9480



Western USA

Festo Corporation
4935 Southfront Road,
Suite F
Livermore, CA 94550, USA
Phone: 1.925.371.1099
Fax: 1.925.245.1286



Festo Worldwide

Argentina Australia Austria Belarus Belgium Brazil Bulgaria Canada Chile China Colombia Croatia Czech Republic Denmark
Estonia Finland France Germany Great Britain Greece Hong Kong Hungary India Indonesia Iran Ireland Israel Italy Japan Latvia
Lithuania Malaysia Mexico Netherlands New Zealand Norway Peru Philippines Poland Romania Russia Serbia Singapore
Slovakia Slovenia South Africa South Korea Spain Sweden Switzerland Taiwan Thailand Turkey Ukraine United States Venezuela

www.festo.com