

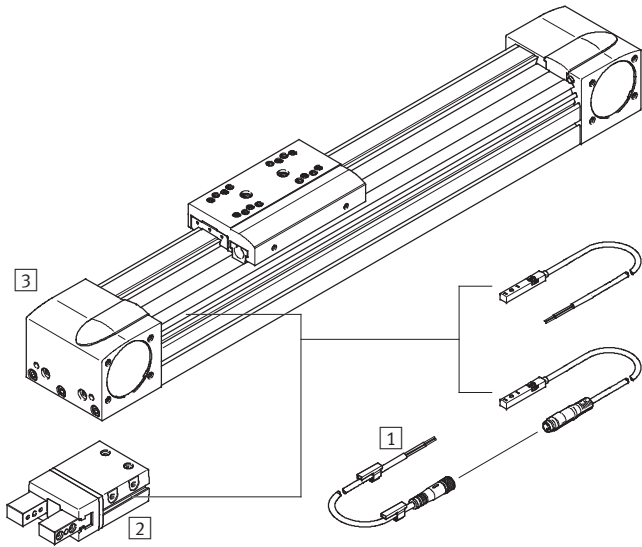
Proximity sensors SIES-8M, inductive for T-slot



Proximity sensors SIES-8M, inductive for T-slot

Peripherals overview and type codes

Peripherals overview



Mounting attachments and accessories		→ Page/Internet
1	Connecting cable NEBU-M8...3	6
2	Gripper with T-slot e.g. parallel gripper DHPS	gripper
3	Electric axis EGC	egc

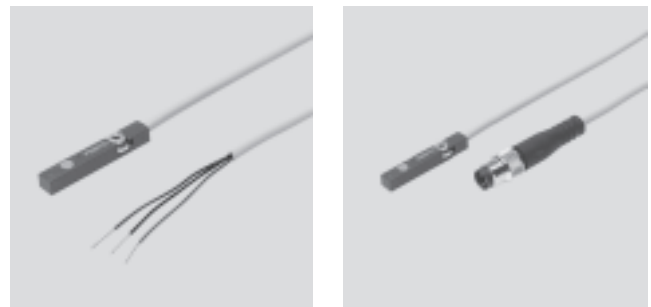
Type codes

		SIE	S	-	8M	-	P	S	-	24V	-	K	-	2,5	-	M8D
Type																
SIE	Proximity sensor, inductive															
Design																
S	Special design															
Design																
8M	For T-slot															
Switching output																
P	PNP															
N	NPN															
Switching element function																
S	N/O contact															
O	N/C contact															
Rated operating voltage																
24V	24 VDC															
Cable attributes																
K	Standard + energy chain															
Cable length																
0,3	0.3 m															
2,5	2.5 m															
5,0	5.0 m															
7,5	7.5 m															
10	10 m															
Electrical connection																
OE	Cable, 3-wire, open end															
M8D	Cable with plug M8x1, 3-pin, knurled ring															

Proximity sensors SIES-8M, inductive for T-slot

Technical data

- Inductive proximity sensor for T-slot, insertable from above
- Suitable for position sensing for electric axes EGC and grippers with T-slot
- 2 LEDs for better visibility, regardless of the side from which the axis approaches the sensor



General technical data	
Type of mounting	Screw-clamped in slot, insertable from above, flush with T-slot
Connection direction	In-line
Rated operating distance S_n [mm]	1.5
Repetition accuracy under constant conditions [mm]	≤ 0.05 lateral connection ≤ 0.02 axial connection
Max. switching frequency [Hz]	5,000
Switching status display	Yellow LED
Conforms to	EN 60947-5-2
Cable attributes	Standard + energy chain
Cable test conditions	Energy chain: 5 million cycles, bending radius 75 mm Resistance to bending: to Festo standard; test conditions on request
Degree of contamination	3

Electrical data	
Switching output	PNP NPN
Switching element function	N/C contact N/O contact
Electrical connection	Cable, 3-wire Cable with plug, M8x1, knurled ring, 3-pin
Operating voltage range DC [V]	10 ... 30
Insulation voltage [V]	50
Max. output current [mA]	150
Surge capacity [kV]	0.8
Idle current [mA]	≤ 10
Protection against short circuit	Pulsed
Protection against polarity reversal	For all electrical connections
Protection class	IP65 IP67

Operating and environmental conditions	
Ambient temperature [°C]	-25 ... +70
Ambient temperature with flexible cable installation [°C]	-5 ... +70
CE mark (see declaration of conformity)	To EU EMC Directive ¹⁾
Certification	C-Tick cULus listed (OL)

1) For information about the applicability of the component see the manufacturer's EC declaration of conformity at: www.festo.com → Support → User documentation.
If the component is subject to restrictions on usage in residential, office or commercial environments or small businesses, further measures to reduce the emitted interference may be necessary.

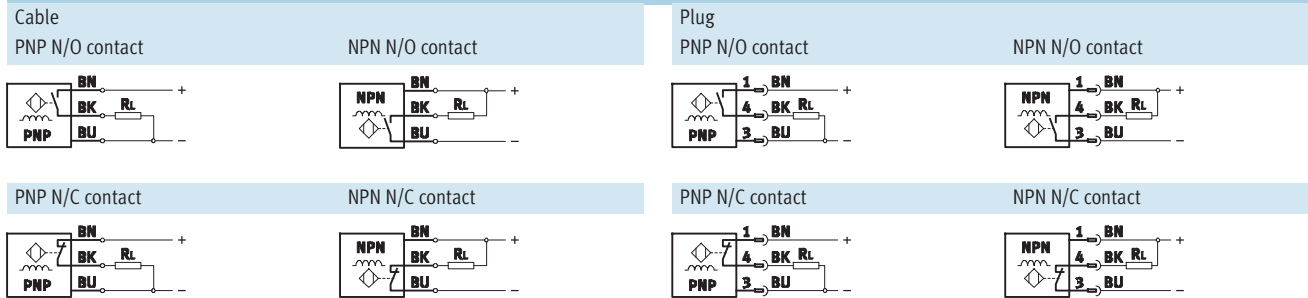
Proximity sensors SIES-8M, inductive for T-slot

Technical data



Materials		
	SIES-8M-...-OE	SIES-8M-...-M8D
Housing	-	Brass, nickel-plated
	Polyamide	
	Polyurethane	
	High-alloy stainless steel	
Cable sheath	Thermoplastic polyurethane elastomer	
Note on materials	Free of copper and PTFE RoHS-compliant	

Pin allocation

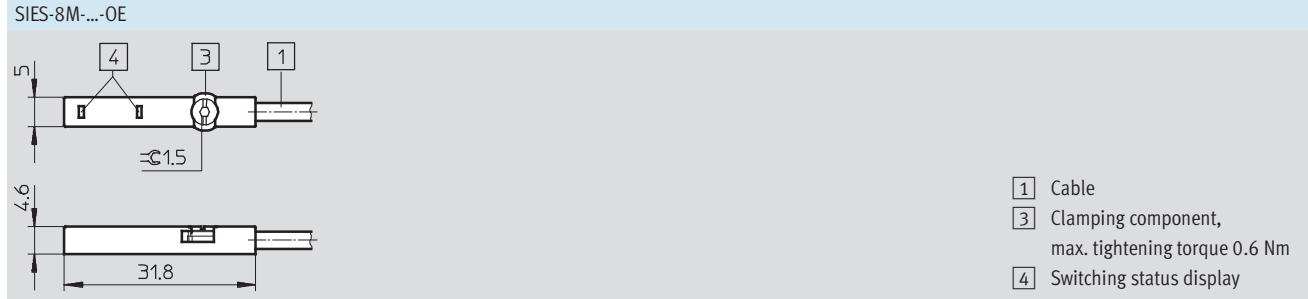


Core colours

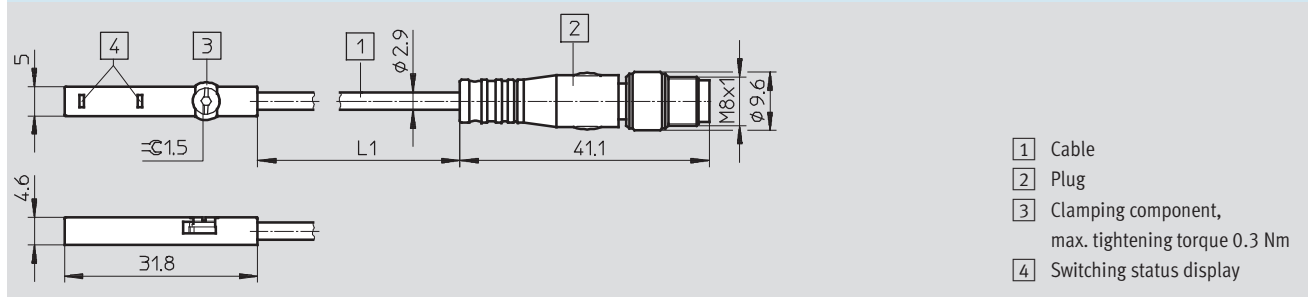
BN = brown BK = black BU = blue

Dimensions

Download CAD Data → www.festo.com/us/cad





SIES-8M-...-M8D



	L1
SIES-8M-...-0,3-M8D	300 ⁺⁵⁰
SIES-8M-...-2,5-M8D	2,500 ⁺⁵⁰
SIES-8M-...-5,0-M8D	5,000 ⁺⁵⁰
SIES-8M-...-7,5-M8D	7,500 ⁺⁷⁵
SIES-8M-...-10-M8D	10,000 ⁺¹⁰⁰

Proximity sensors SIES-8M, inductive for T-slot

Technical data

Ordering data							
Size	S _n ¹⁾ [mm]	Mounting position	Switching output	Switching element function	Cable length [m]	Part No.	Type
Cable							
	1.5	Flush	PNP	N/O contact	7.5	551386	SIES-8M-PS-24V-K-7,5-OE
				N/C contact	7.5	551391	SIES-8M-PO-24V-K-7,5-OE
			NPN	N/O contact	7.5	551396	SIES-8M-NS-24V-K-7,5-OE
				N/C contact	7.5	551401	SIES-8M-NO-24V-K-7,5-OE
Cable with plug							
	1,5	Flush	PNP	N/O contact	0.3	551387	SIES-8M-PS-24V-K-0,3-M8D
					2.5	551388	SIES-8M-PS-24V-K-2,5-M8D
					5.0	551389	SIES-8M-PS-24V-K-5,0-M8D
					10	551390	SIES-8M-PS-24V-K-10-M8D
				N/C contact	0.3	551392	SIES-8M-PO-24V-K-0,3-M8D
					2.5	551393	SIES-8M-PO-24V-K-2,5-M8D
					5.0	551394	SIES-8M-PO-24V-K-5,0-M8D
					10	551395	SIES-8M-PO-24V-K-10-M8D
			NPN	N/O contact	0.3	551397	SIES-8M-NS-24V-K-0,3-M8D
					2.5	551398	SIES-8M-NS-24V-K-2,5-M8D
					5.0	551399	SIES-8M-NS-24V-K-5,0-M8D
					10	551400	SIES-8M-NS-24V-K-10-M8D
				N/C contact	0.3	551402	SIES-8M-NO-24V-K-0,3-M8D
					2.5	551403	SIES-8M-NO-24V-K-2,5-M8D
					5.0	551404	SIES-8M-NO-24V-K-5,0-M8D
					10	551405	SIES-8M-NO-24V-K-10-M8D

1) S_n Rated operating distance [mm]

Proximity sensors SIES-8M, inductive for T-slot

Accessories



Sensor bracket SIEZ-8M

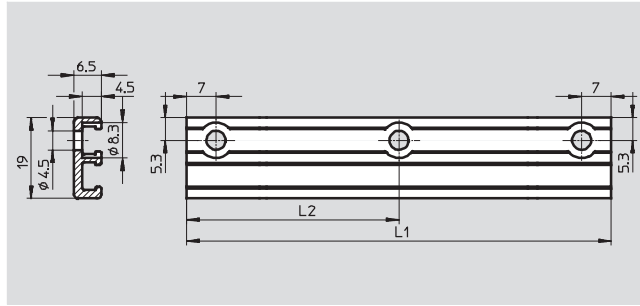
For mounting proximity sensors
SIES-8M on any housing

Material:

Wrought aluminium alloy, steel,
thermoplastic polyurethane elastomer

Note on material:

RoHS-compliant



Dimensions and ordering data				
	L1	L2	Part No.	Type
Sensor bracket	200	–	551406	SIEZ-8M-200
	400	100	551407	SIEZ-8M-400

Ordering data – Slot cover for T-slot				
	Assembly	Length	Part No.	Type
	Insertable from above	2x 0.5 m	563360	ABP-5-S1

Ordering data – Connecting cables M8x1				Technical data → Internet: nebu	
	Electrical connection, left	Electrical connection, right	Cable length [m]	Part No.	Type
	Straight socket, M8x1, 3-pin	Cable, open end, 3-wire	2.5	541333	NEBU-M8G3-K-2.5-LE3
			5	541334	NEBU-M8G3-K-5-LE3
			10	541332	NEBU-M8G3-K-10-LE3
	Angled socket, M8x1, 3-pin	Cable, open end, 3-wire	2.5	541338	NEBU-M8W3-K-2.5-LE3
			5	541341	NEBU-M8W3-K-5-LE3
			10	541335	NEBU-M8W3-K-10-LE3

Product Range and Company Overview

A Complete Suite of Automation Services

Our experienced engineers provide complete support at every stage of your development process, including: conceptualization, analysis, engineering, design, assembly, documentation, validation, and production.



Custom Automation Components
Complete custom engineered solutions



Custom Control Cabinets
Comprehensive engineering support and on-site services



Complete Systems
Shipment, stocking and storage services

The Broadest Range of Automation Components

With a comprehensive line of more than 30,000 automation components, Festo is capable of solving the most complex automation requirements.



Electromechanical
Electromechanical actuators, motors, controllers & drives



Pneumatics
Pneumatic linear and rotary actuators, valves, and air supply



PLCs and I/O Devices
PLC's, operator interfaces, sensors and I/O devices

Supporting Advanced Automation... As No One Else Can!

Festo is a leading global manufacturer of pneumatic and electromechanical systems, components and controls for industrial automation, with more than 12,000 employees in 56 national headquarters serving more than 180 countries. For more than 80 years, Festo has continuously elevated the state of manufacturing with innovations and optimized motion control solutions that deliver higher performing, more profitable automated manufacturing and processing equipment. Our dedication to the advancement of automation extends beyond technology to the education and development of current and future automation and robotics designers with simulation tools, teaching programs, and on-site services.

Quality Assurance, ISO 9001 and ISO 14001 Certifications

Festo Corporation is committed to supply all Festo products and services that will meet or exceed our customers' requirements in product quality, delivery, customer service and satisfaction.

To meet this commitment, we strive to ensure a consistent, integrated, and systematic approach to management that will meet or exceed the requirements of the ISO 9001 standard for Quality Management and the ISO 14001 standard for Environmental Management.



© Copyright 2008, Festo Corporation. While every effort is made to ensure that all dimensions and specifications are correct, Festo cannot guarantee that publications are completely free of any error, in particular typing or printing errors. Accordingly, Festo cannot be held responsible for the same. For Liability and Warranty conditions, refer to our "Terms and Conditions of Sale", available from your local Festo office. All rights reserved. No part of this publication may be reproduced, distributed, or transmitted in any form or by any means, electronic, mechanical, photocopying or otherwise, without the prior written permission of Festo. All technical data subject to change according to technical update.



Printed on recycled paper at New Horizon Graphic, Inc., FSC certified as an environmentally friendly printing plant.

Festo North America

Festo Regional Contact Center

5300 Explorer Drive
Mississauga, Ontario L4W 5G4
Canada

USA Customers:

For ordering assistance,

Call: 1.800.99.FESTO (1.800.993.3786)

Fax: 1.800.96.FESTO (1.800.963.3786)

Email: customer.service@us.festo.com

For technical support,

Call: 1.866.GO.FESTO (1.866.463.3786)

Fax: 1.800.96.FESTO (1.800.963.3786)

Email: product.support@us.festo.com

Canadian Customers:

Call: 1.877.GO.FESTO (1.877.463.3786)

Fax: 1.877.FX.FESTO (1.877.393.3786)

Email: festo.canada@ca.festo.com

USA Headquarters

Festo Corporation
395 Moreland Road
P.O. Box 18023
Hauppauge, NY 11788, USA
www.festo.com/us

USA Sales Offices

Appleton

North 922 Tower View Drive, Suite N
Greenville, WI 54942, USA

Boston

120 Presidential Way, Suite 330
Woburn, MA 01801, USA

Chicago

1441 East Business Center Drive
Mt. Prospect, IL 60056, USA

Dallas

1825 Lakeway Drive, Suite 600
Lewisville, TX 75057, USA

Detroit – Automotive Engineering Center

2601 Cambridge Court, Suite 320
Auburn Hills, MI 48326, USA

New York

395 Moreland Road
Hauppauge, NY 11788, USA

Silicon Valley

4935 Southfront Road, Suite F
Livermore, CA 94550, USA

United States



USA Headquarters, East: Festo Corp., 395 Moreland Road, Hauppauge, NY 11788

Phone: 1.631.435.0800; Fax: 1.631.435.8026;

Email: info@festo-usa.com

www.festo.com/us

Canada



Headquarters: Festo Inc., 5300 Explorer Drive, Mississauga, Ontario L4W 5G4

Phone: 1.905.624.9000; Fax: 1.905.624.9001;

Email: festo.canada@ca.festo.com

www.festo.ca

Mexico



Headquarters: Festo Pneumatic, S.A., Av. Ceylán 3, Col. Tequesquahuac,
54020 Tlalneantla, Edo. de México

Phone: 011 52 [55] 53 21 66 00; Fax: 011 52 [55] 53 21 66 65;

Email: festo.mexico@mx.festo.com

www.festo.com/mx

Central USA

Festo Corporation
1441 East Business
Center Drive
Mt. Prospect, IL 60056, USA
Phone: 1.847.759.2600
Fax: 1.847.768.9480



Western USA

Festo Corporation
4935 Southfront Road,
Suite F
Livermore, CA 94550, USA
Phone: 1.925.371.1099
Fax: 1.925.245.1286



Festo Worldwide

Argentina Australia Austria Belarus Belgium Brazil Bulgaria Canada Chile China Colombia Croatia Czech Republic Denmark
Estonia Finland France Germany Great Britain Greece Hong Kong Hungary India Indonesia Iran Ireland Israel Italy Japan Latvia
Lithuania Malaysia Mexico Netherlands New Zealand Norway Peru Philippines Poland Romania Russia Serbia Singapore
Slovakia Slovenia South Africa South Korea Spain Sweden Switzerland Taiwan Thailand Turkey Ukraine United States Venezuela

www.festo.com