

Sealing material

FESTO




Sealing material

Technical data

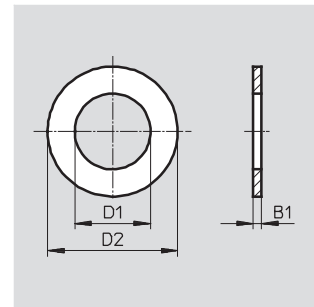
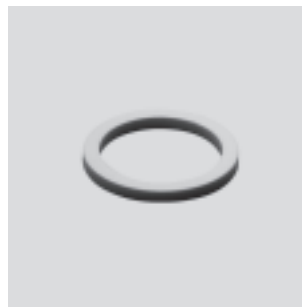
FESTO

Sealing ring O

 Pressure
-0.95 ... +10 bar

Material:
Sealing ring O: Polyvinyl chloride
Sealing ring O-M3-B: Polyamide

Note on materials:
Free of copper and PTFE
Conforms to RoHS (O-1/8 ... O-3/4 only)



Dimensions and ordering data							
For thread	Temperature range [°C]	D1	D2	B1	Part No.	Type	PU*
M3	-40 ... +100	2.8	4.8	0.3	30290	O-M3-B	1
M5	-10 ... +60	5.1	8	1	3565	O-M5	1
					534226	O-M5-500	500
G1/8		10	13	1.5	2223	O-1/8	1
					534227	O-1/8-500	500
G1/4		13.2	18	2	2224	O-1/4	1
					534228	O-1/4-200	200
G3/8		16.8	22	2	2225	O-3/8	1
					534229	O-3/8-200	200
G1/2		21	28	2	2226	O-1/2	1
					534230	O-1/2-100	100
G3/4		26.5	33	2	2227	O-3/4	1
G1		33.3	38.9	2	210893	O-1	1

* Packaging unit quantity

Sealing material

Technical data

FESTO

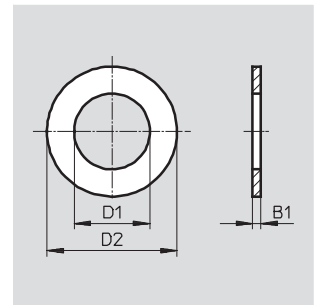
Sealing ring CRO

Sealing ring CRO for use in the chemicals and food processing industries

 Temperature range
 -40 ... +80 °C

Material:
 Polyvinylidene fluoride

Note on materials:
 Conforms to RoHS



General technical data	
Mounting position	Any

Operating and environmental conditions	
Operating medium	Compressed air in accordance with ISO 8573-1:2010 [7:-:-]
Note on operating/pilot medium	Operation with lubricated medium possible
Ambient temperature [°C]	-40 ... +80
Suitable for use in the food industry	As per manufacturer's declaration

Dimensions and ordering data							
For thread	D1	D2	B1	Weight/ piece [g]	Part No.	Type	PU*
M5	5.1	8	1	0.05	165191	CRO-M5	1
G $\frac{1}{8}$	10	13	2	0.19	575895	CRO- $\frac{1}{8}$	1
G $\frac{1}{4}$	13.2	18	2	0.42	165193	CRO- $\frac{1}{4}$	1
G $\frac{3}{8}$	16.8	22	2	0.56	165194	CRO- $\frac{3}{8}$	1
G $\frac{1}{2}$	21	28	2	0.96	165195	CRO- $\frac{1}{2}$	1
G $\frac{3}{4}$	26.5	33	2	1.08	165196	CRO- $\frac{3}{4}$	1
G1	33.3	38.9	2	1.13	165197	CRO-1	1

* Packaging unit quantity


Sealing material


Technical data

FESTO

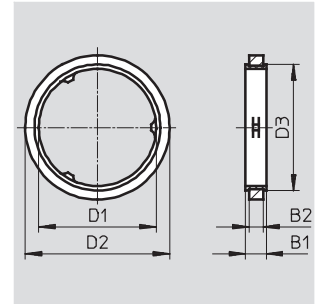
Sealing ring OL
with metal housing

- Based on ISO 16030 standard
- Seals at room temperature when tightened by hand
- Captive
- Reusable
- Compatible with the existing O and OK sealing rings

 Temperature range
-40 ... +100 °C

 Pressure
-0.95 ... +30 bar

Note on materials:
Free of copper and PTFE
Conforms to RoHS



Dimensions and ordering data												
For thread	Min. tightening torque [Nm]	Max. tightening torque [Nm]	D1	D2	D3	B1	B2	CRC ¹⁾	Weight [g]	Part No.	Type	PU*
Stainless steel, nitrile rubber												
M5	0.5	6	5.05	7.4	6.25	1.45	1	2	1	34634	OL-M5	1
										534231	OL-M5-500	500
G ¹ / ₈	1	26	9.8	12.8	11.1	1.8	1.3	2	1	33840	OL- ¹ / ₈	1
										534232	OL- ¹ / ₈ -500	500
G ¹ / ₄	2	40	13.2	16.8	14.4	2.2	1.6	2	1	34635	OL- ¹ / ₄	1
										534233	OL- ¹ / ₄ -200	200
Aluminium, nitrile rubber												
G ³ / ₈	10	50	16.65	20.5	17.9	2.95	1.95	2	2	34636	OL- ³ / ₈	1
										534234	OL- ³ / ₈ -200	200
G ¹ / ₂	18	80	21	25.5	22.2	2.6	1.95	2	2	34637	OL- ¹ / ₂	1
										534235	OL- ¹ / ₂ -100	100
G ³ / ₄	-	120	26.5	32	28.4	2.6	1.95	2	2	34638	OL- ³ / ₄	1

1) Corrosion resistance class 2 according to Festo standard 940 070
Components requiring moderate corrosion resistance. Externally visible parts with primarily decorative surface requirements which are in direct contact with a normal industrial environment or media such as coolants or lubricating agents.
* Packaging unit quantity


Sealing material


Technical data

FESTO

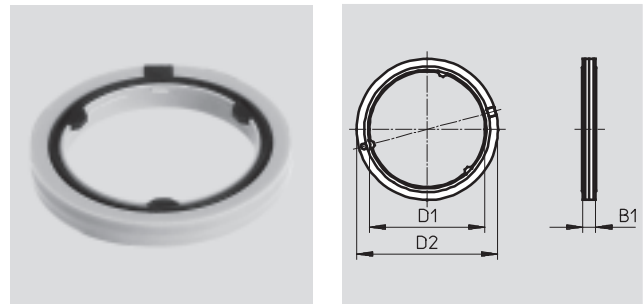
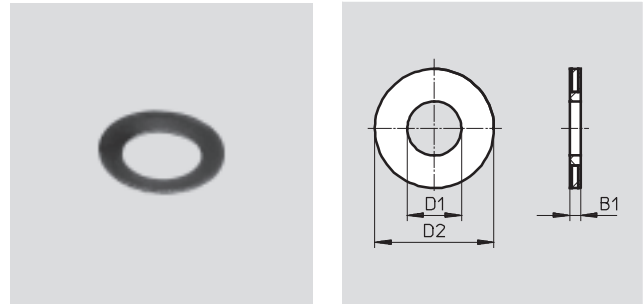
Sealing ring OK with support ring

- Based on ISO 16030 standard
- Seals at room temperature when tightened by hand
- Captive design
- Compatible with the existing O and OL sealing rings

 Temperature range
-10 ... +60 °C

 Pressure
-0.95 ... +10 bar

Note on materials:
Free of copper and PTFE
Conforms to RoHS



Dimensions and ordering data										
For thread	Min. tightening torque [Nm]	Max. tightening torque [Nm]	D1	D2	B1	CRC ¹⁾	Weight [g]	Part No.	Type	PU*
Stainless steel, nitrile rubber										
M3	0.15	0.8	2.5	5.5	0.5	2	0.04	130849	OK-M3	1
M5	0.25	2.4	4.3	7.8	0.5		0.1	130850	OK-M5	1
M7	0.3	6.4	6.4	9.8	0.5		0.1	130851	OK-M7	1
Polyamide, thermoplastic polyurethane										
G ¹ / ₈	2	5	9.9	13.15	1.60	2	0.12	531771	OK- ¹ / ₈	1
G ¹ / ₄	10	12	13.3	18.15	2.20		0.32	531772	OK- ¹ / ₄	1
G ³ / ₈	10	15	16.8	22.15	2.20		0.44	531773	OK- ³ / ₈	1
G ¹ / ₂	10	18	21.2	26.45	2.35		0.6	531774	OK- ¹ / ₂	1
G ³ / ₄	30	40	26.7	32.45	2.95		1	531775	OK- ³ / ₄	1

1) Corrosion resistance class 2 according to Festo standard 940 070
Components requiring moderate corrosion resistance. Externally visible parts with primarily decorative surface requirements which are in direct contact with a normal industrial environment or media such as coolants or lubricating agents.
* Packaging unit quantity

Sealing material

Technical data

Sealing ring assortment OL-S1

This polymer assortment box contains OL sealing rings ranging in size from M5 to G $\frac{3}{4}$.



Ordering data						
Contents	Quantity	Min. tightening torque [Nm]	Max. tightening torque [Nm]	Weight [g]	Part No.	Type
OL-M5	50	0.5	6	1	161355	OL-S1
OL-1/8	100	1	26	1		
OL-1/4	100	2	40	1		
OL-3/8	40	10	50	2		
OL-1/2	30	18	80	2		
OL-3/4	10	-	120	2		

Sealing ring assortment OK-S1

This assortment box contains OK sealing rings ranging in size from M3 to G $\frac{3}{4}$.



Note on materials:
Conforms to RoHS

Ordering data						
Contents	Quantity	Min. tightening torque [Nm]	Max. tightening torque [Nm]	Weight [g]	Part No.	Type
OK-M3	50	0.15	0.8	0.04	570465	OK-S1
OK-M5	100	0.25	2.4	0.1		
OK-M7	50	0.3	6.4	0.1		
OK-1/8	100	2	5	0.12		
OK-1/4	100	10	12	0.32		
OK-3/8	40	10	15	0.44		
OK-1/2	30	10	18	0.6		
OK-3/4	10	30	40	1		

Sealing material

Technical data

Thread sealing tape **GWB-0,1**



Ordering data				
Width [mm]	Thickness [mm]	Length [m]	Part No.	Type
10	0.1	12.5	9076	GWB-0,1

Product Range and Company Overview

A Complete Suite of Automation Services

Our experienced engineers provide complete support at every stage of your development process, including: conceptualization, analysis, engineering, design, assembly, documentation, validation, and production.



Custom Automation Components
Complete custom engineered solutions



Custom Control Cabinets
Comprehensive engineering support and on-site services



Complete Systems
Shipment, stocking and storage services

The Broadest Range of Automation Components

With a comprehensive line of more than 30,000 automation components, Festo is capable of solving the most complex automation requirements.



Electromechanical
Electromechanical actuators, motors, controllers & drives



Pneumatics
Pneumatic linear and rotary actuators, valves, and air supply



PLCs and I/O Devices
PLC's, operator interfaces, sensors and I/O devices

Supporting Advanced Automation... As No One Else Can!

Festo is a leading global manufacturer of pneumatic and electromechanical systems, components and controls for industrial automation, with more than 12,000 employees in 56 national headquarters serving more than 180 countries. For more than 80 years, Festo has continuously elevated the state of manufacturing with innovations and optimized motion control solutions that deliver higher performing, more profitable automated manufacturing and processing equipment. Our dedication to the advancement of automation extends beyond technology to the education and development of current and future automation and robotics designers with simulation tools, teaching programs, and on-site services.

Quality Assurance, ISO 9001 and ISO 14001 Certifications

Festo Corporation is committed to supply all Festo products and services that will meet or exceed our customers' requirements in product quality, delivery, customer service and satisfaction.

To meet this commitment, we strive to ensure a consistent, integrated, and systematic approach to management that will meet or exceed the requirements of the ISO 9001 standard for Quality Management and the ISO 14001 standard for Environmental Management.



© Copyright 2008, Festo Corporation. While every effort is made to ensure that all dimensions and specifications are correct, Festo cannot guarantee that publications are completely free of any error, in particular typing or printing errors. Accordingly, Festo cannot be held responsible for the same. For Liability and Warranty conditions, refer to our "Terms and Conditions of Sale", available from your local Festo office. All rights reserved. No part of this publication may be reproduced, distributed, or transmitted in any form or by any means, electronic, mechanical, photocopying or otherwise, without the prior written permission of Festo. All technical data subject to change according to technical update.



Printed on recycled paper at New Horizon Graphic, Inc., FSC certified as an environmentally friendly printing plant.

Festo North America

Festo Regional Contact Center

5300 Explorer Drive
Mississauga, Ontario L4W 5G4
Canada

USA Customers:

For ordering assistance,

Call: 1.800.99.FESTO (1.800.993.3786)

Fax: 1.800.96.FESTO (1.800.963.3786)

Email: customer.service@us.festo.com

For technical support,

Call: 1.866.GO.FESTO (1.866.463.3786)

Fax: 1.800.96.FESTO (1.800.963.3786)

Email: product.support@us.festo.com

Canadian Customers:

Call: 1.877.GO.FESTO (1.877.463.3786)

Fax: 1.877.FX.FESTO (1.877.393.3786)

Email: festo.canada@ca.festo.com

USA Headquarters

Festo Corporation
395 Moreland Road
P.O. Box 18023
Hauppauge, NY 11788, USA
www.festo.com/us

USA Sales Offices

Appleton

North 922 Tower View Drive, Suite N
Greenville, WI 54942, USA

Boston

120 Presidential Way, Suite 330
Woburn, MA 01801, USA

Chicago

1441 East Business Center Drive
Mt. Prospect, IL 60056, USA

Dallas

1825 Lakeway Drive, Suite 600
Lewisville, TX 75057, USA

Detroit – Automotive Engineering Center

2601 Cambridge Court, Suite 320
Auburn Hills, MI 48326, USA

New York

395 Moreland Road
Hauppauge, NY 11788, USA

Silicon Valley

4935 Southfront Road, Suite F
Livermore, CA 94550, USA

United States



USA Headquarters, East: Festo Corp., 395 Moreland Road, Hauppauge, NY 11788

Phone: 1.631.435.0800; Fax: 1.631.435.8026;

Email: info@festo-usa.com

www.festo.com/us

Canada



Headquarters: Festo Inc., 5300 Explorer Drive, Mississauga, Ontario L4W 5G4

Phone: 1.905.624.9000; Fax: 1.905.624.9001;

Email: festo.canada@ca.festo.com

www.festo.ca

Mexico



Headquarters: Festo Pneumatic, S.A., Av. Ceylán 3, Col. Tequesquahuac,
54020 Tlalneantla, Edo. de México

Phone: 011 52 [55] 53 21 66 00; Fax: 011 52 [55] 53 21 66 65;

Email: festo.mexico@mx.festo.com

www.festo.com/mx

Central USA

Festo Corporation
1441 East Business
Center Drive
Mt. Prospect, IL 60056, USA
Phone: 1.847.759.2600
Fax: 1.847.768.9480



Western USA

Festo Corporation
4935 Southfront Road,
Suite F
Livermore, CA 94550, USA
Phone: 1.925.371.1099
Fax: 1.925.245.1286



Festo Worldwide

Argentina Australia Austria Belarus Belgium Brazil Bulgaria Canada Chile China Colombia Croatia Czech Republic Denmark
Estonia Finland France Germany Great Britain Greece Hong Kong Hungary India Indonesia Iran Ireland Israel Italy Japan Latvia
Lithuania Malaysia Mexico Netherlands New Zealand Norway Peru Philippines Poland Romania Russia Serbia Singapore
Slovakia Slovenia South Africa South Korea Spain Sweden Switzerland Taiwan Thailand Turkey Ukraine United States Venezuela

www.festo.com